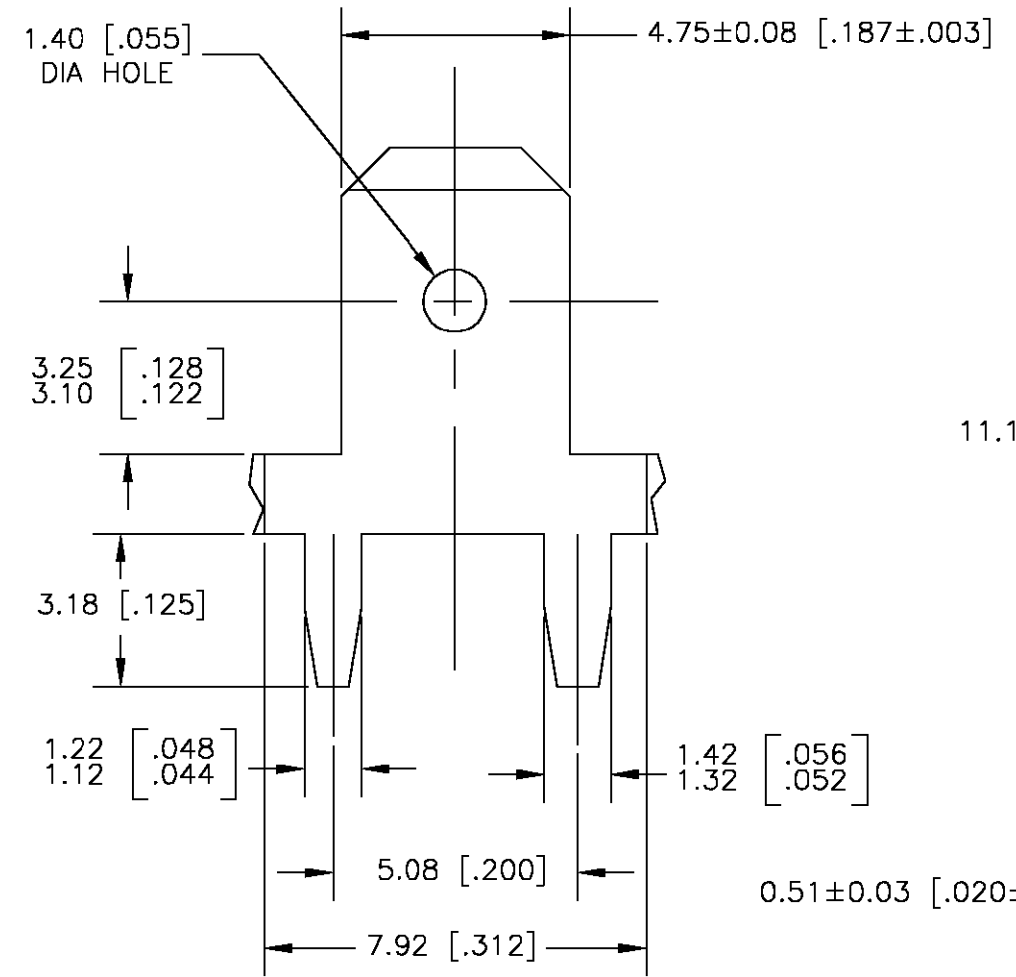


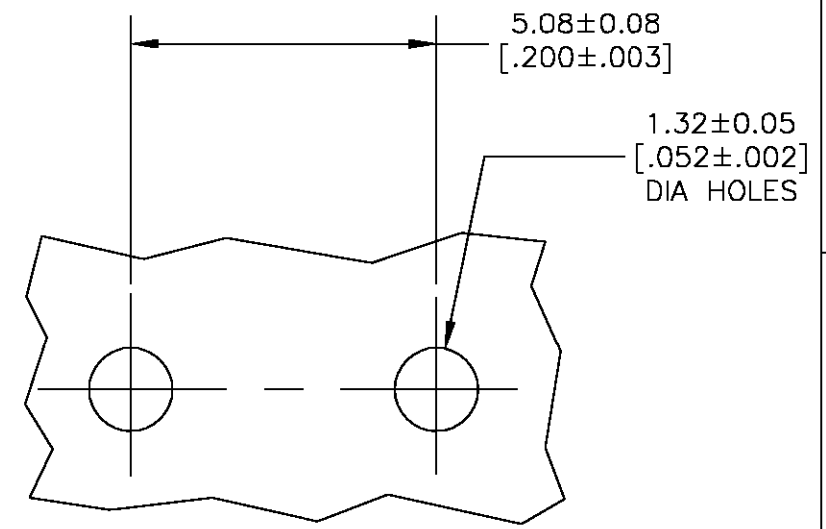
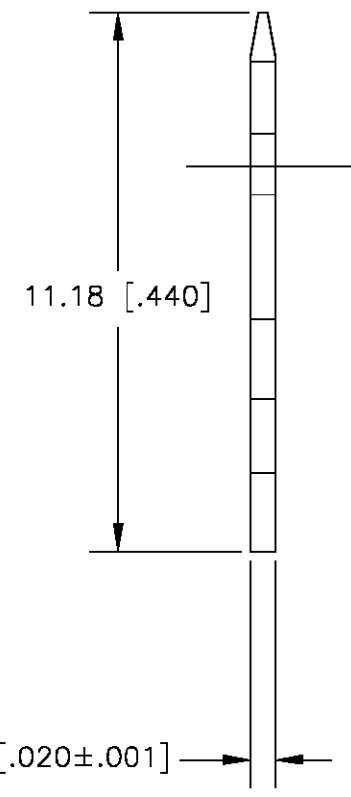
4 3 2 1

THIS DRAWING IS UNPUBLISHED. RELEASED FOR PUBLICATION
 © COPYRIGHT BY TYCO ELECTRONICS CORPORATION. ALL RIGHTS RESERVED.

LOC	DIST	REVISIONS			
P	LTR	DESCRIPTION	DATE	DWN	APVD
AF	50	E	REDRAWN PER OG3A-0778-00	30NOV00	JR GP



1 CONTINUOUS STRIP ON REELS.
 2 0.00381 [.000150] MIN TIN OVER
 0.00254 [.000100] MIN THK COPPER.



P.C. BOARD HOLES
 SCALE 10:1

63838-1
 PART NUMBER

THIS DRAWING IS A CONTROLLED DOCUMENT.		DWN JR RUTH 30NOV00	AMP Tyco Electronics Corporation Harrisburg, PA 17105	
DIMENSIONS: MM [INCHES]		CHK MS FEHER 30NOV00	NAME TAB, FASTON, PC BOARD, 4.75 [.187] SERIES	
TOLERANCES UNLESS OTHERWISE SPECIFIED: 0 PLC ± - 1 PLC ± - 2 PLC ± 0.25 [.010] 3 PLC ± - 4 PLC ± - ANGLES ± -		APVD G PORTA 30NOV00	PRODUCT SPEC APPLICATION SPEC 114-2112	
MATERIAL 082 BRASS	FINISH TIN OVER COPPER	WEIGHT -	SIZE A3	CAGE CODE 00779
		DRAWING NO C-63838	RESTRICTED TO -	
		CUSTOMER DRAWING	SCALE 8:1	SHEET 1 OF 1
			REV E	