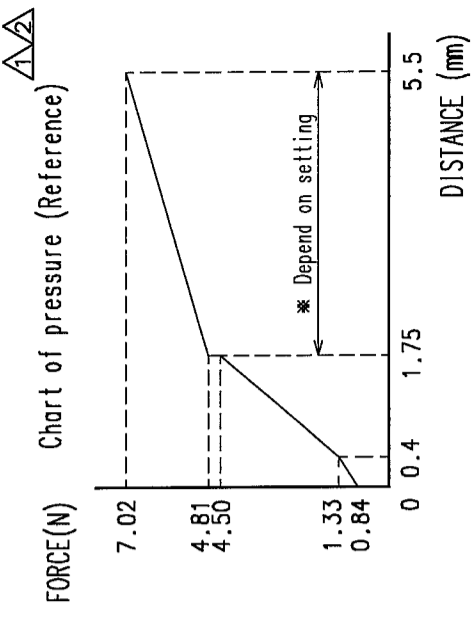
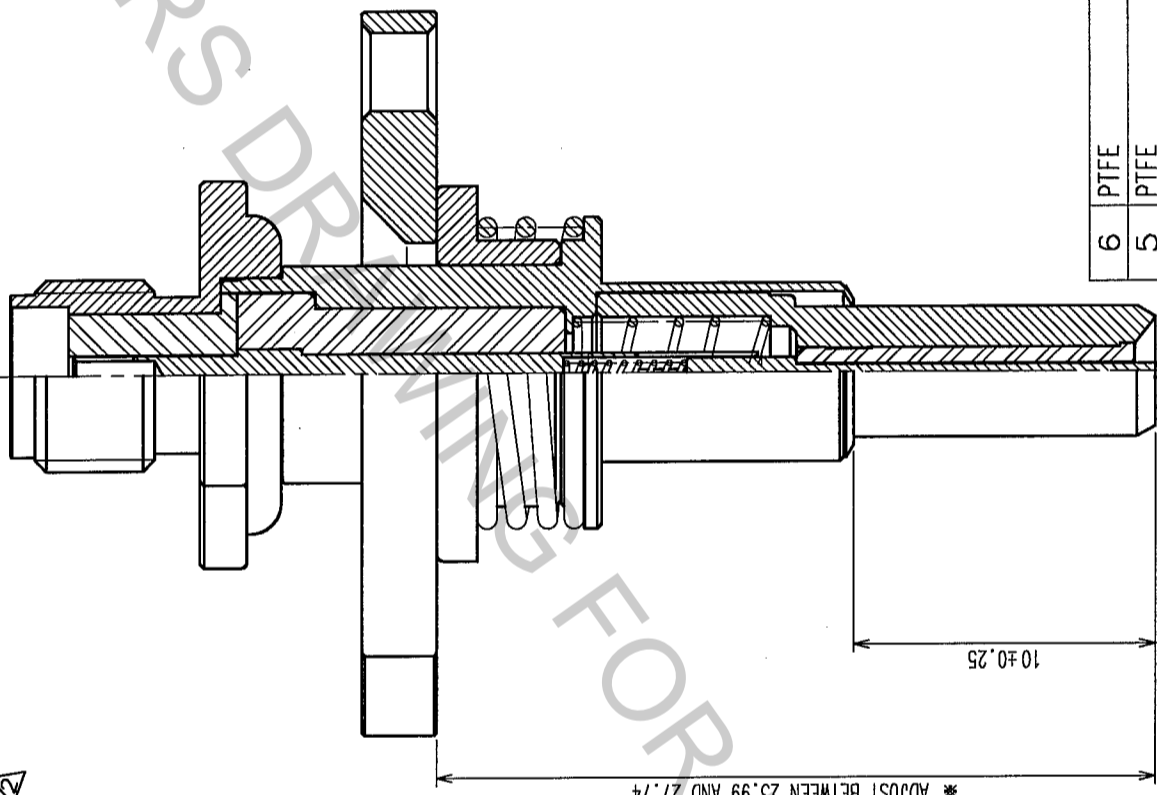
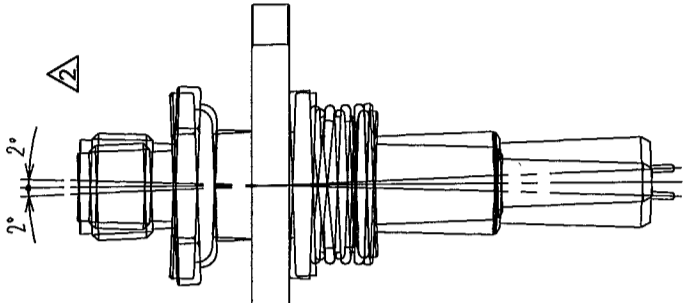


COUNT	DESCRIPTION OF REVISIONS	BY	CHKD	DATE	COUNT	DESCRIPTION OF REVISIONS	BY	CHKD	DATE
1	RE-J-02130	N.S.R.K		'04.2.9					
5	RE-J-02188	N.S.R.K		'04.6.21					

FIGURE 1 (2:1)

FLOATING AMOUNT ±0.75mm



NO.	MATERIAL	FINISH, REMARKS	NO.	MATERIAL	FINISH, REMARKS
6	PTFE		13	STAINLESS STEEL	
5	PTFE		12	PHOSPHOR BRONZE	NICKEL PLATING
4	BELLYLIUM COPPER	GOLD PLATING	11	STAINLESS STEEL	PASSIVATE
3	BELLYLIUM COPPER	GOLD PLATING	10	STAINLESS STEEL	GOLD PLATING
2	BELLYLIUM COPPER	GOLD PLATING	9	STAINLESS STEEL	GOLD PLATING
1	BELLYLIUM COPPER	GOLD PLATING	8	STAINLESS STEEL	PASSIVATE
			7	PTFE	

CODE NO. (OLD)	DRAWN	DESIGNED	CHECKED	APPROVED	RELEASED
	N. SHIRAI	N. SHIRAI	R. KANO	K. KAWAMURA	
	'03.11.4	'03.11.4	'03.11.11	'03.11.19	

DRAWING NO.	PART NO.
EDC3-180384	MS-156-HRMJ-12

NOTE 1 Mating angle which is less than 2 degree is acceptable. (Refer to fig.1)  
2 No obstacles in this area.

TO	
RFD	