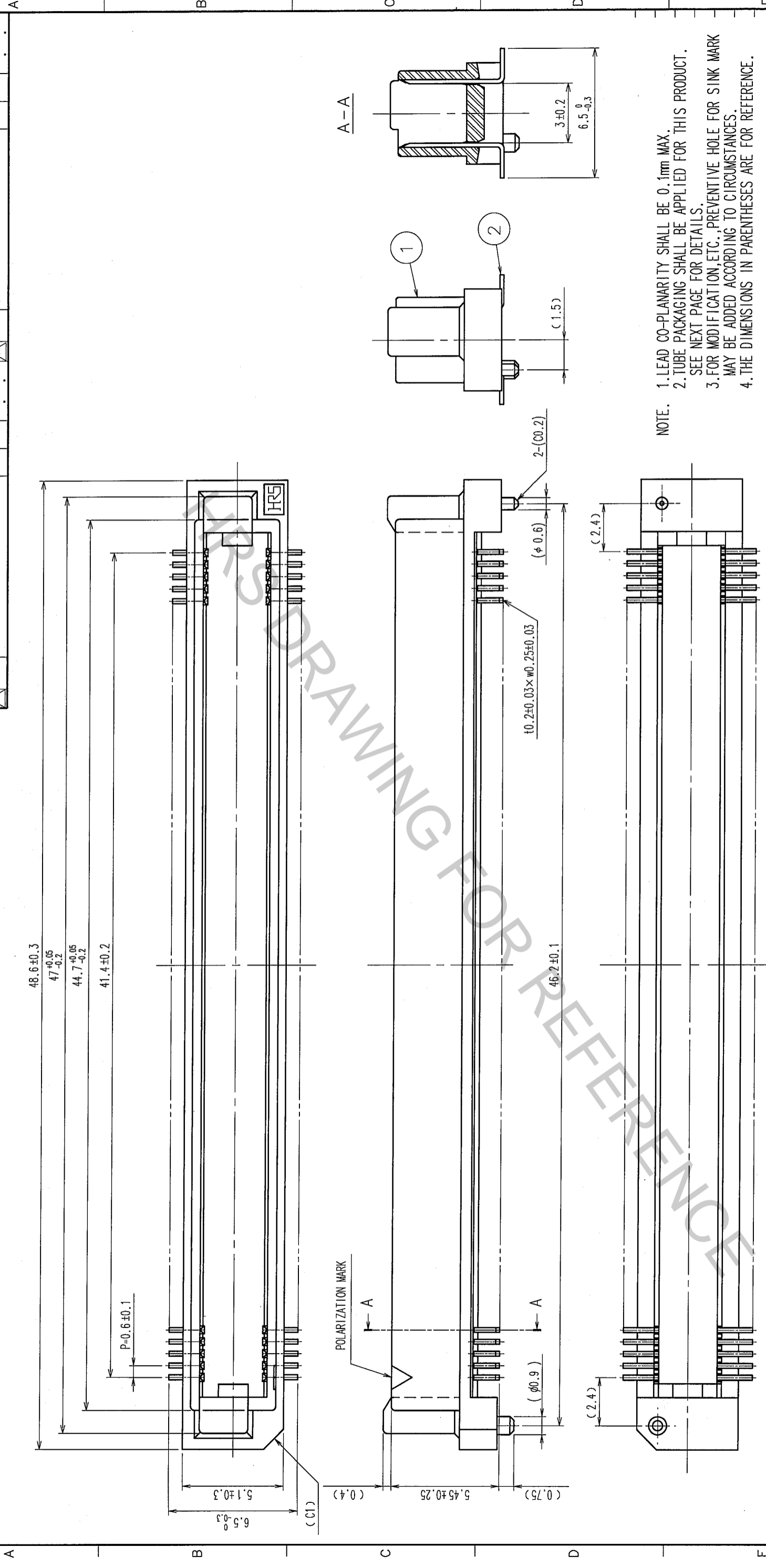


COUNT	DESCRIPTION OF REVISIONS	BY	CHKD	DATE	COUNT	DESCRIPTION OF REVISIONS	BY	CHKD	DATE
△					△				
△					△				
△					△				



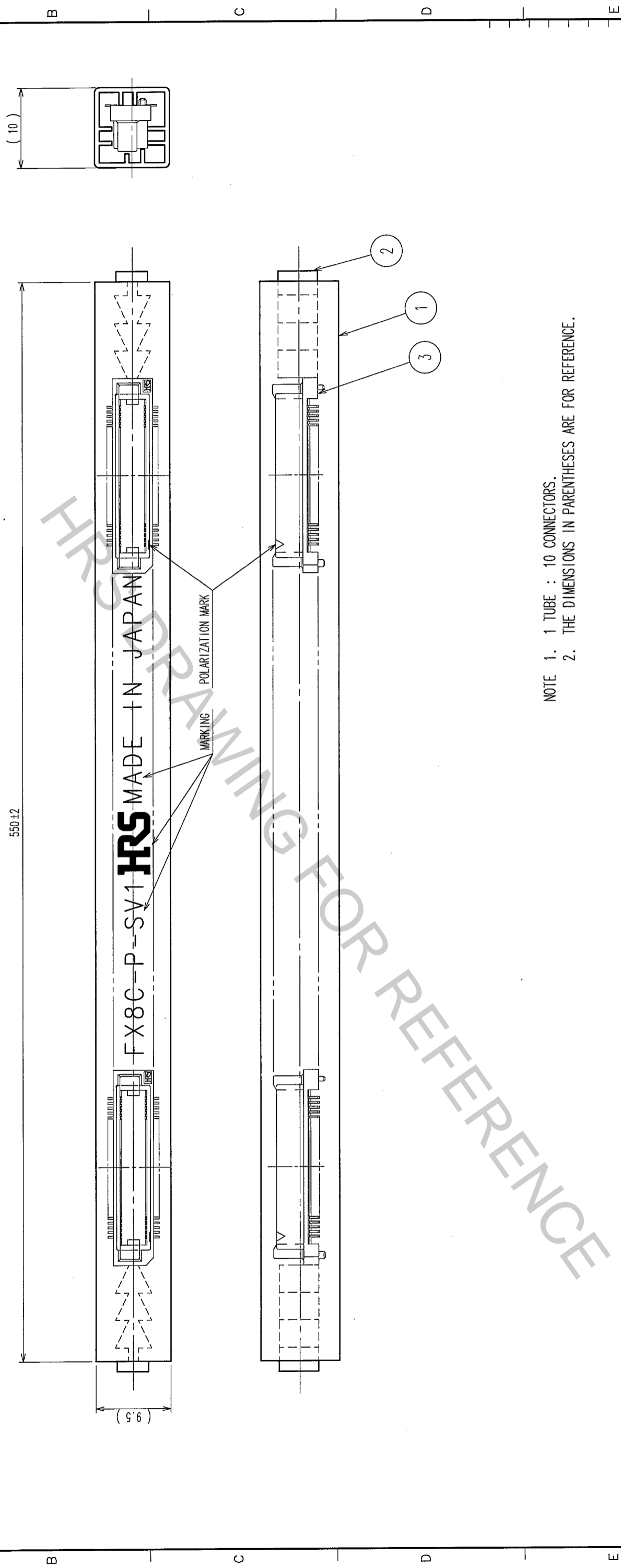
NOTE.

1. LEAD CO-PLANARITY SHALL BE 0.1mm MAX.
2. TUBE PACKAGING SHALL BE APPLIED FOR THIS PRODUCT. SEE NEXT PAGE FOR DETAILS.
3. FOR MODIFICATION, ETC., PREVENTIVE HOLE FOR SINK MARK MAY BE ADDED ACCORDING TO CIRCUMSTANCES.
4. THE DIMENSIONS IN PARENTHESES ARE FOR REFERENCE.

1	PPS	LIGHT BROWN (UL94V-0)	2	PHOSPHOR BRONZE	CONTACT AREA: GOLD 0.1 μm min. LEAD AREA: TIN-PLATING 1 μm min. UNDER PLATING: NICKEL 1 μm min.
NO.	MATERIAL	FINISH, REMARKS	NO.	MATERIAL	FINISH, REMARKS
CL	(COLD)				
DRAWN		DESIGNED		CHECKED	
K. NAKAMURA		K. NAKAMURA		K. Ogyama	
05.12.16		05.12.16		'05.12.16	
DRAWING NO.			PART NO.		
EDC3-150835-21			FX8C-140P-SV1(91)		
SCALE			CODE NO.		
5 : 1			CL578-0527-2-91		
UNITS			1 / 2		
mm					

TO	
PCK	

COUNT		DESCRIPTION OF REVISIONS		BY	CHKD	DATE	COUNT	DESCRIPTION OF REVISIONS		BY	CHKD	DATE
△	△						△					
△	△						△					
△	△						△					



NOTE 1. 1 TUBE : 10 CONNECTORS.
 2. THE DIMENSIONS IN PARENTHESES ARE FOR REFERENCE.

2		POLYVINYL CHLORIDE (STOPPER)		3		(CONNECTOR)	
NO.	MATERIAL	FINISH, REMARKS	DESIGNED	CHECKED	APPROVED	RELEASED	
			K. NAKAMURA	K. NAKAMURA	H. Okawa		
			05.12.16	05.12.16	05.12.16		
CODE NO. (OLD)		DRAWING NO.		PART NO.		FINISH, REMARKS	
CL		EDC3-150835-21		FX8C-140P-SV1 (91)			
SCALE		UNITS		CODE NO.			
FREE		mm		CL578-0527-2-91			

TO	
PCK	