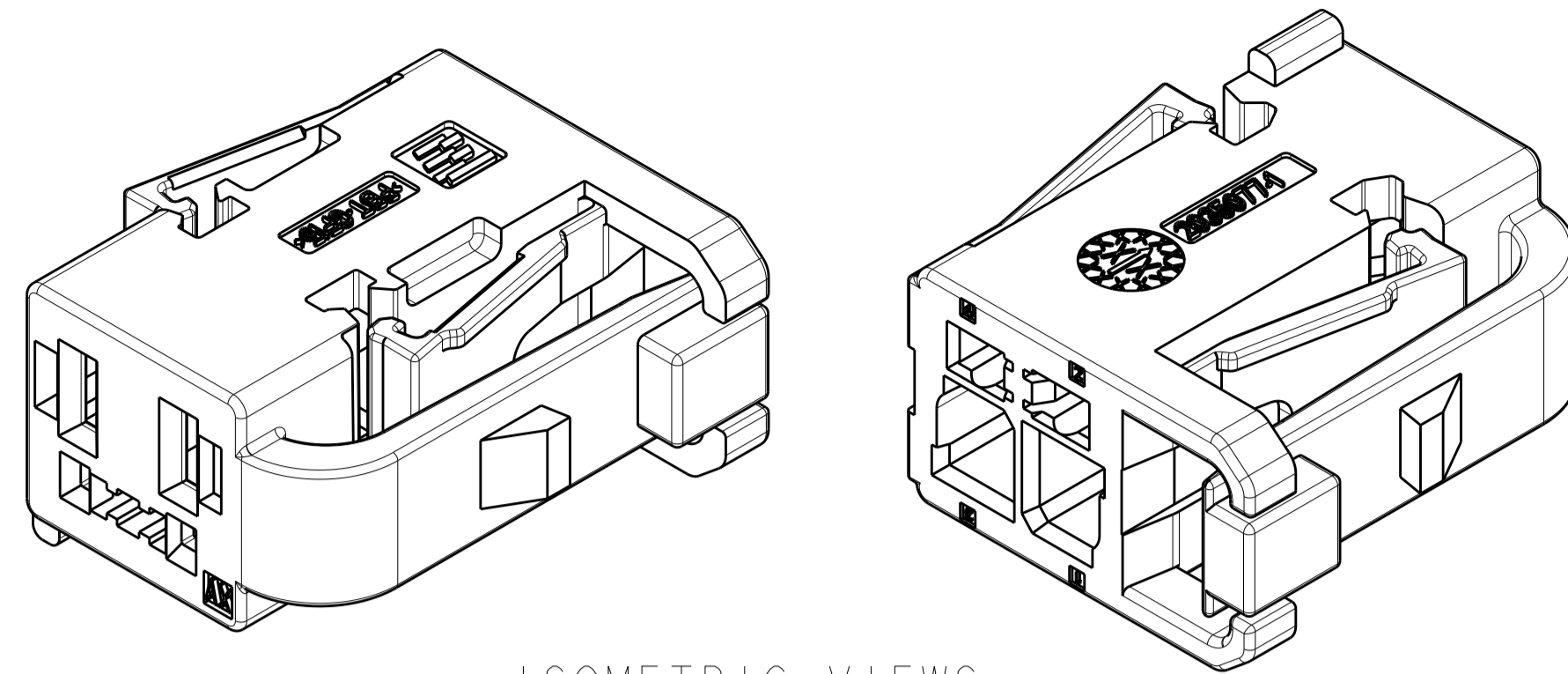
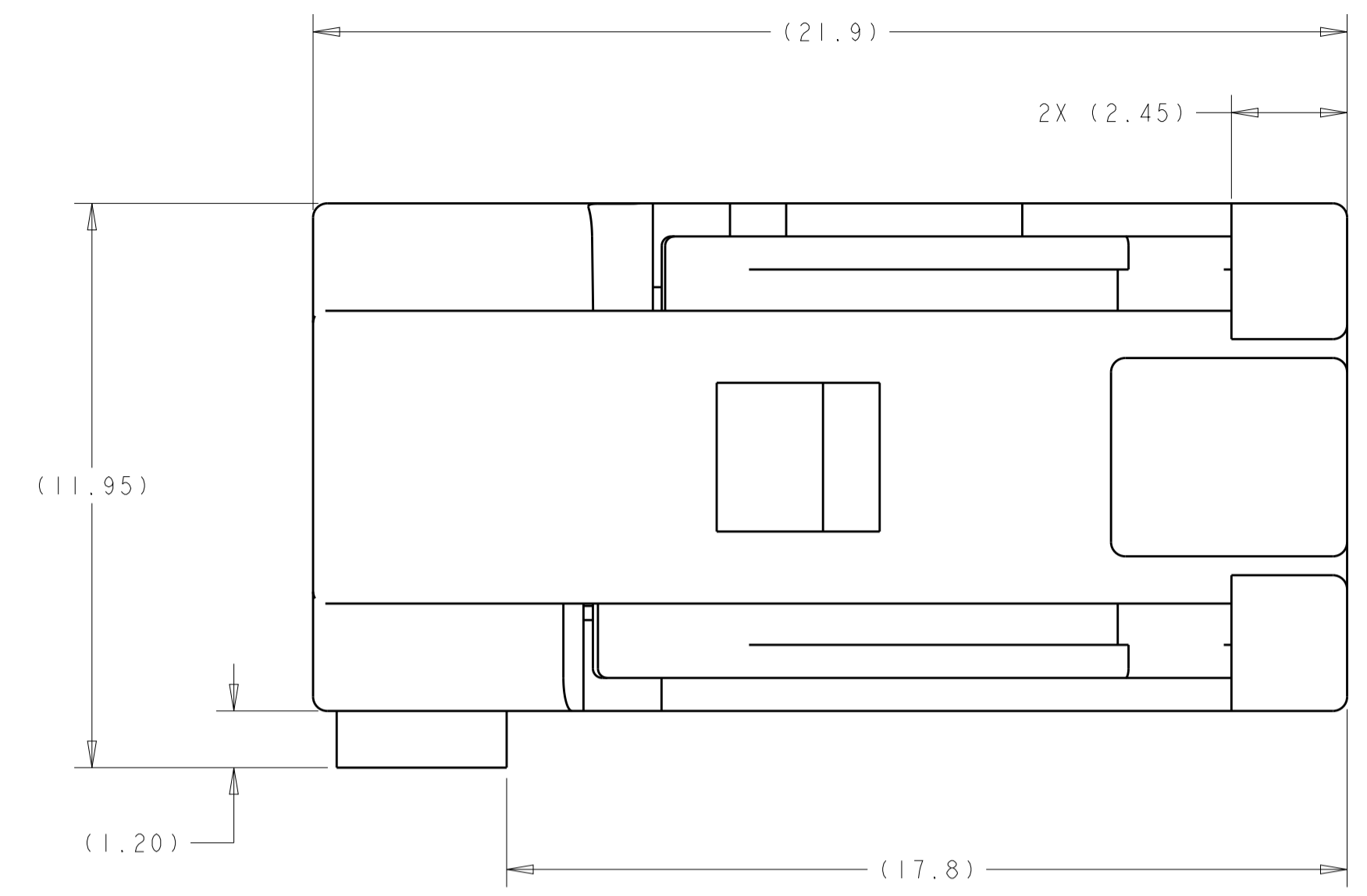


LOC		DIST		REVISIONS			
P	LTN	DESCRIPTION	DATE	DWN	APVD		
A		RELEASED PER ECO-11-007933	14APR2011	DLD	DLD		
B		REVISED PER ECO-12-008641	10MAY2012	MBH	RH		
B1		REVISED PER ECO-12-022332	27DEC2012	DLD	CJS		

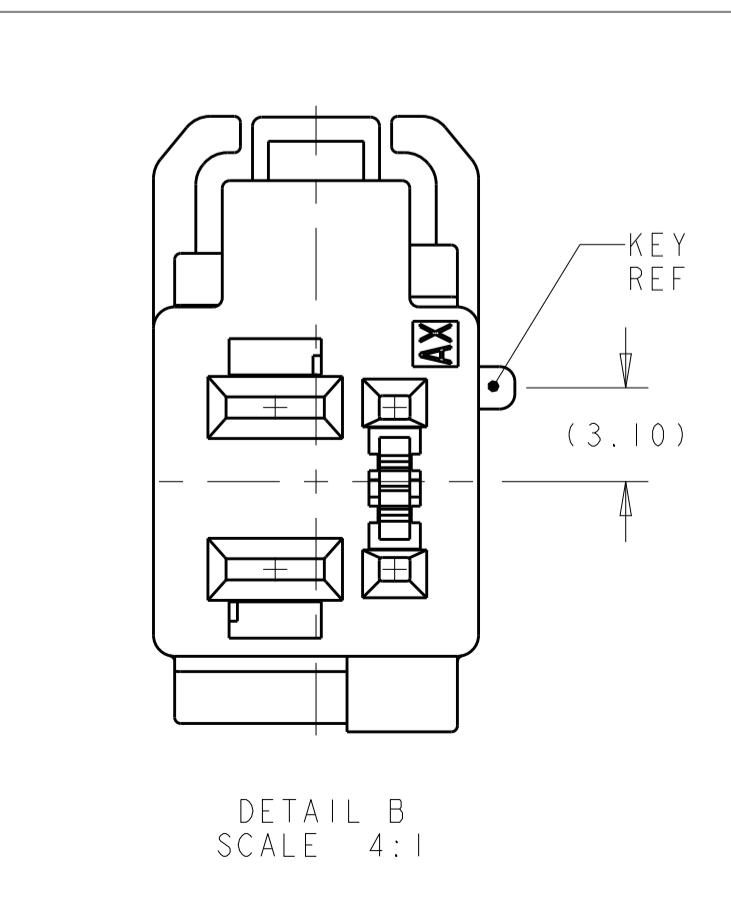
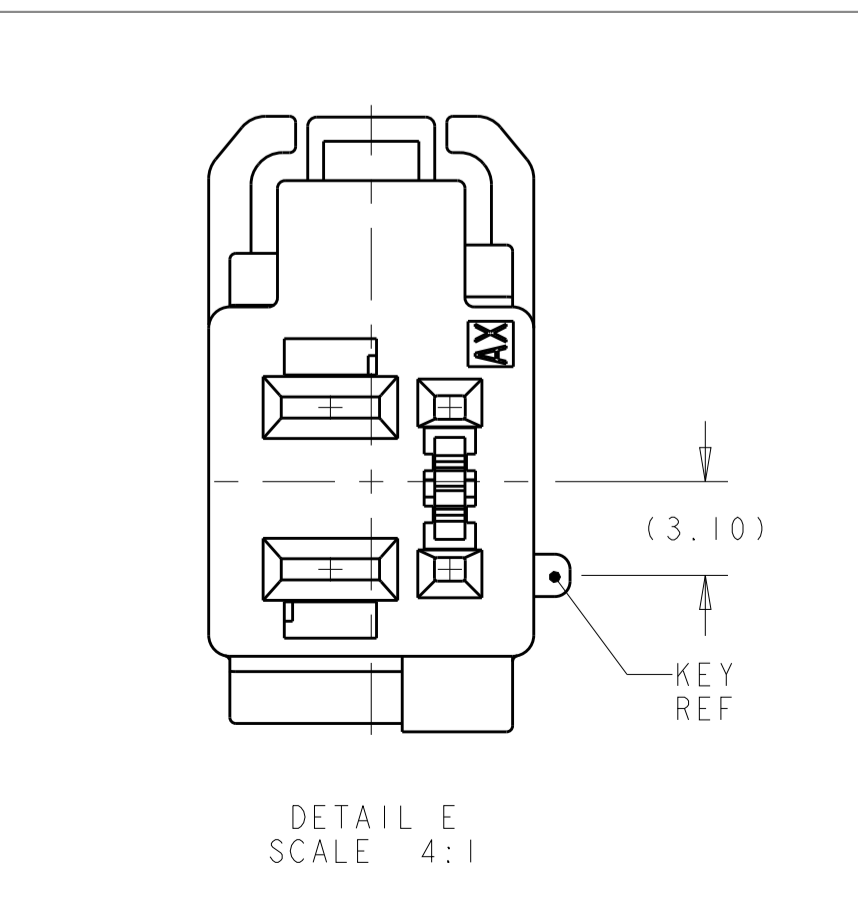
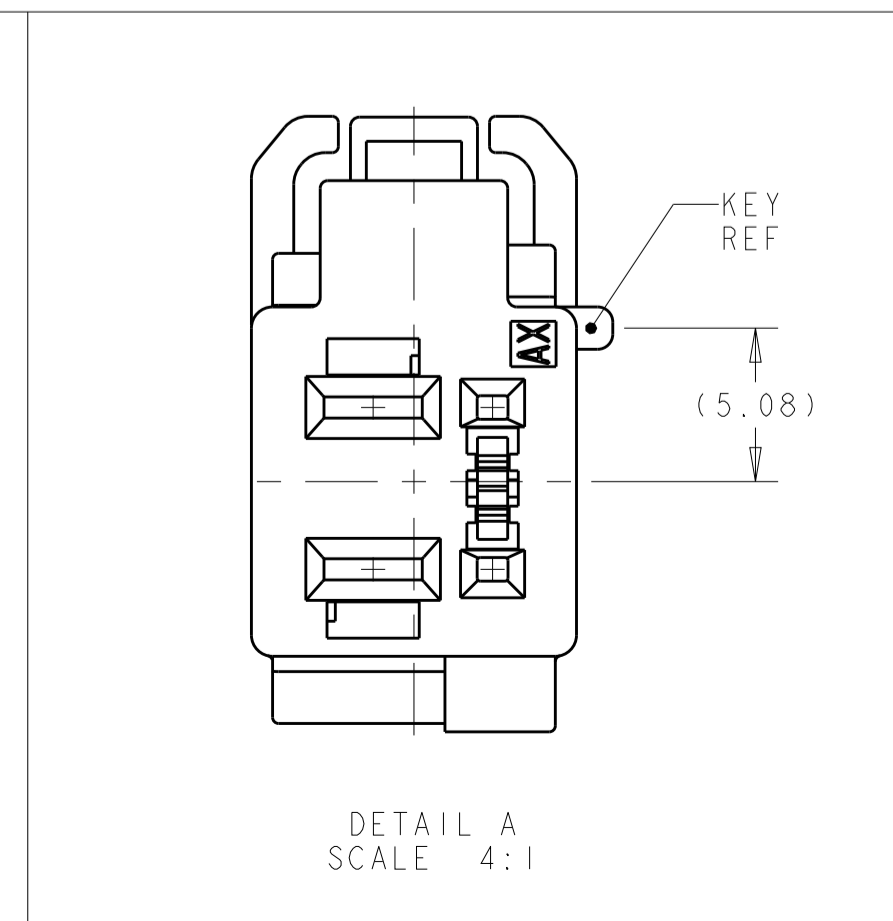
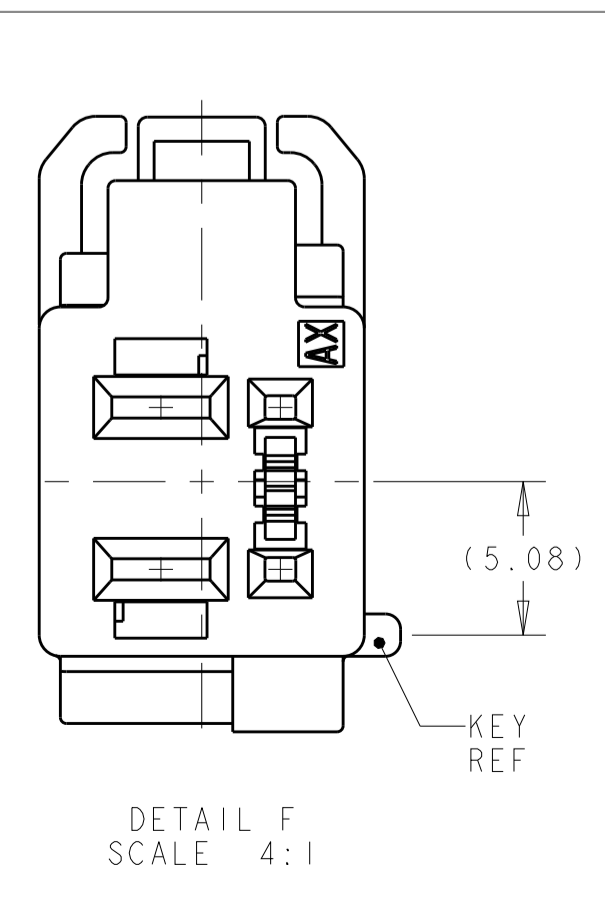
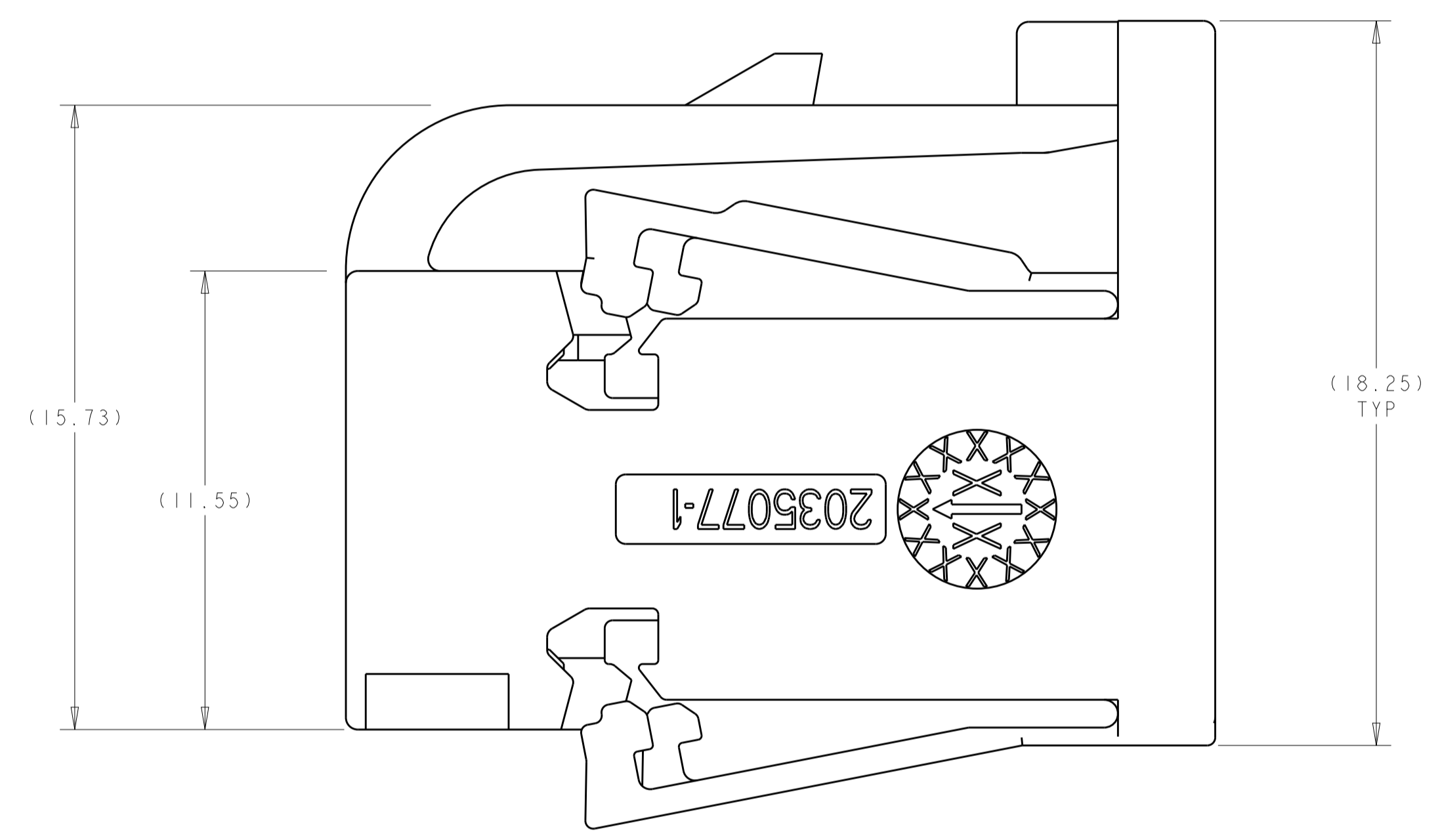
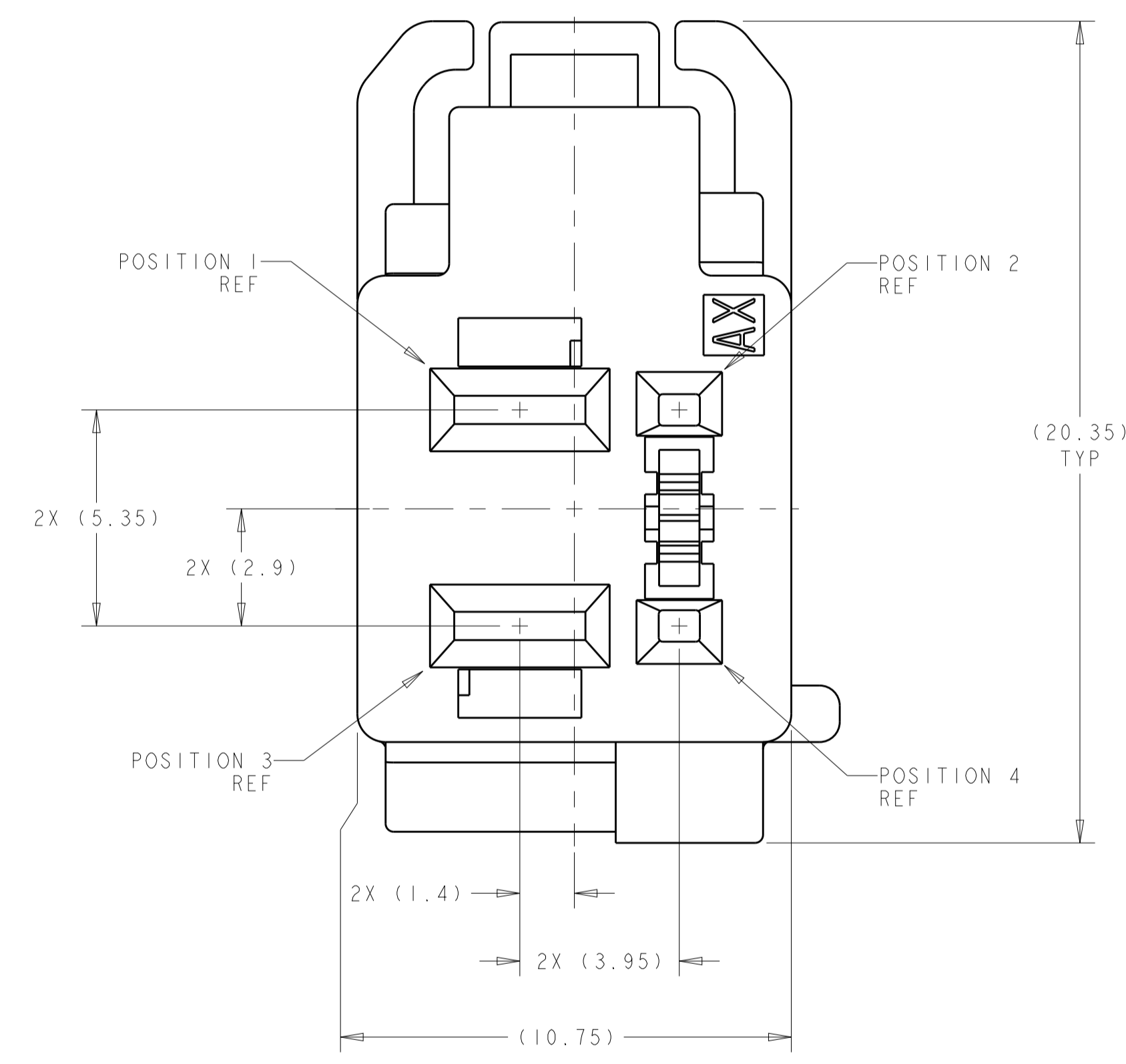


ISOMETRIC VIEWS
SCALE 4:1



△ POLYESTER PBT, 15% GLASS FILLED.

- PLUG HOUSING POSITIONS 1 AND 3 WILL ACCEPT TE MPQ RECEPTACLE PART NUMBER 968074-2, 968075-2, 968678-2.
- PLUG HOUSING POSITIONS 2 AND 4 WILL ACCEPT TE FEMALE CONTACT PART NUMBER 1924955-X.
- SEE 2035077-MXCX FOR INTERFACE DETAILS.



KEYING	KEY CODE	COLOR	PART NUMBER
PER DETAIL B	B	BROWN	2035077-4
PER DETAIL E	E	DARK GRAY	2035077-3
PER DETAIL A	A	LIGHT GRAY	2035077-2
PER DETAIL F	F	BLACK	2035077-1

THIS DRAWING IS A CONTROLLED DOCUMENT.		DWN: D.J. HARDY 18FEB2008	TE Connectivity	
DIMENSIONS: mm		CHK: R.D. HETRICK 07MAY2008	NAME: PLUG HOUSING, 4 POSITION (2x0.64mm - 2x2.8mm), UNSEALED, GENERATION Y/2.8 HYBRID	
TOLERANCES UNLESS OTHERWISE SPECIFIED:		APVD: R.D. HETRICK 07MAY2008	SIZE: A1 00779 C=2035077	
0 PLC	±	PRODUCT SPEC	RESTRICTED TO	
1 PLC	±	APPLICATION SPEC	SCALE: 8:1 SHEET 1 OF 1 REV: B1	
2 PLC	±	WEIGHT		
3 PLC	±	CUSTOMER DRAWING		
4 PLC	±			
ANGLES	±			
FINISH	-			