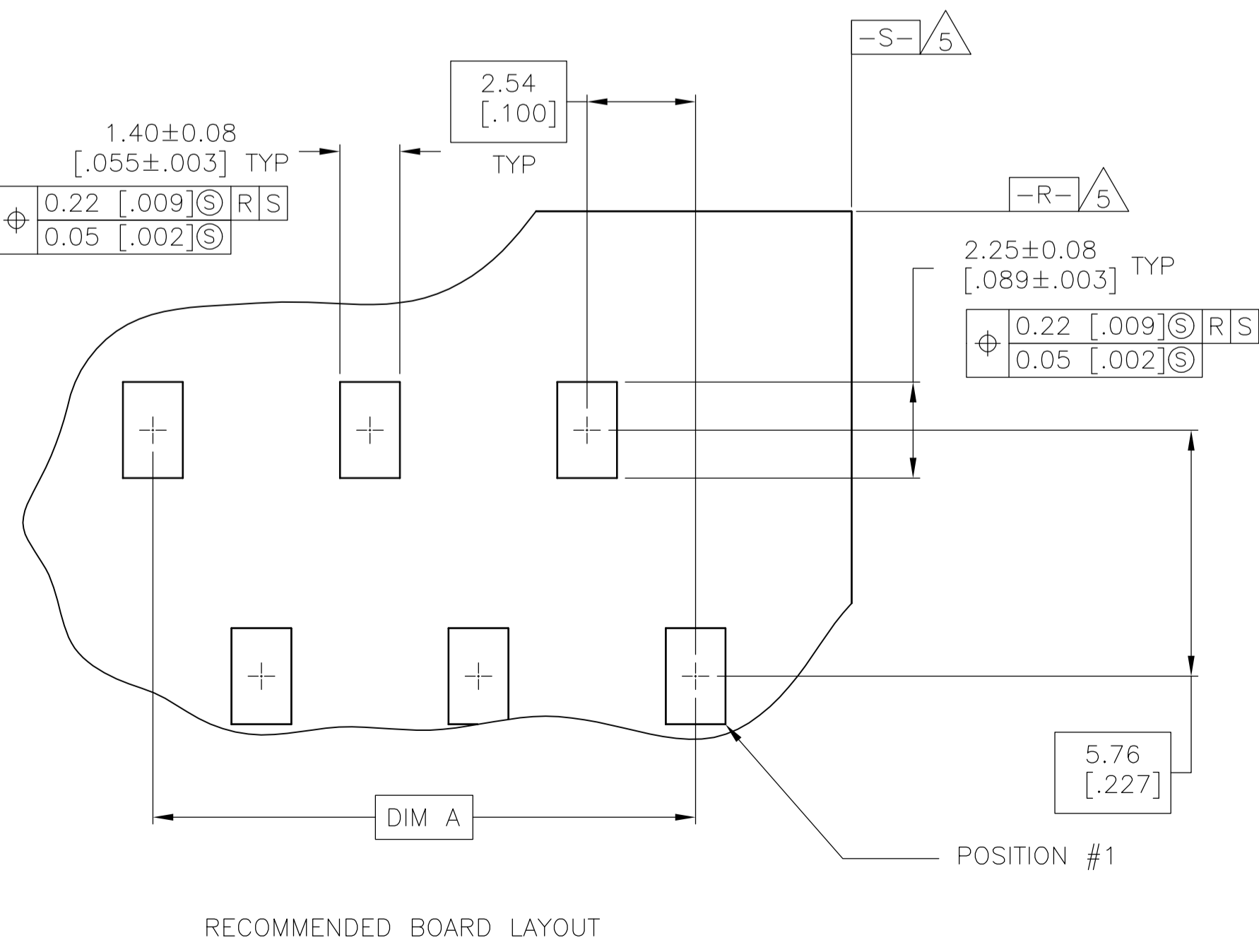
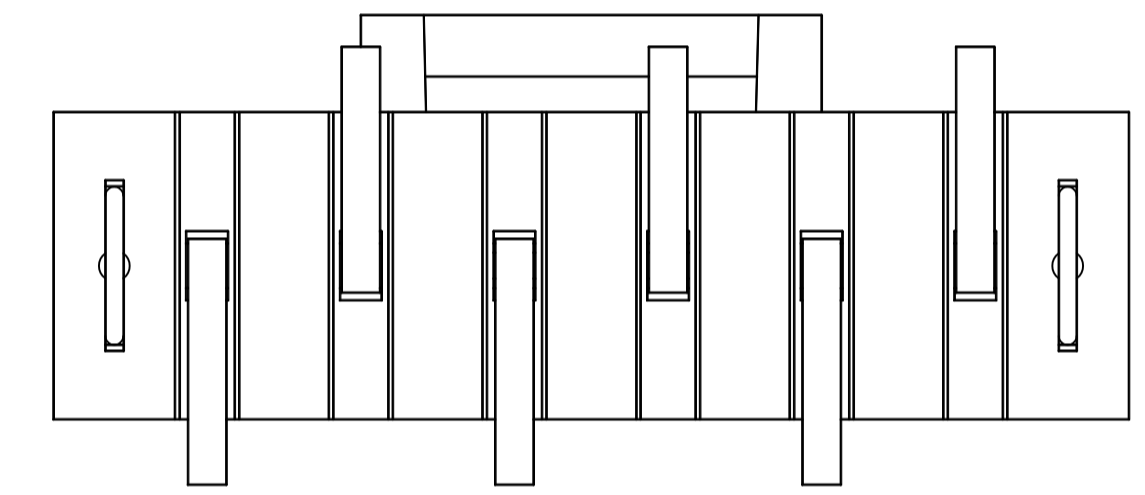
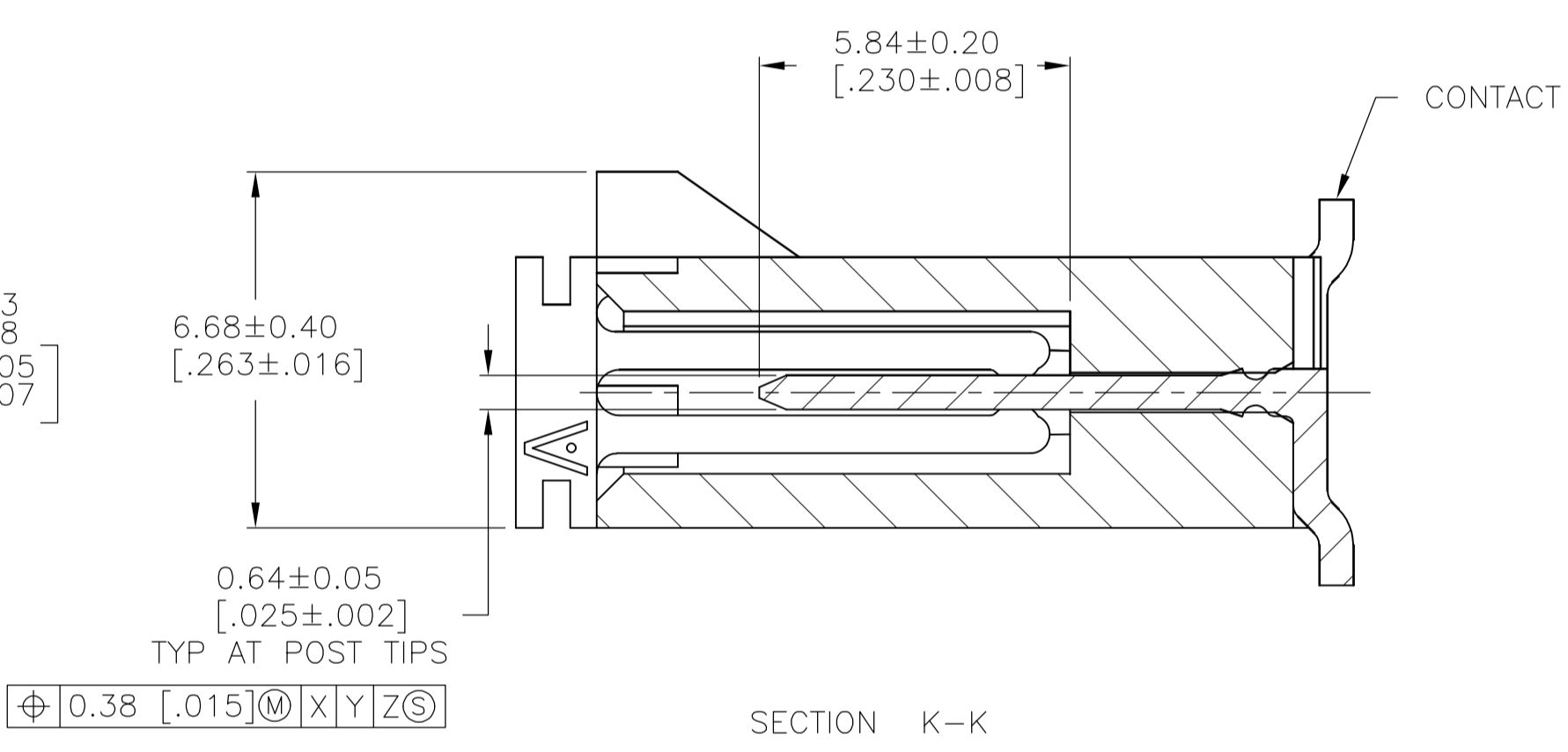
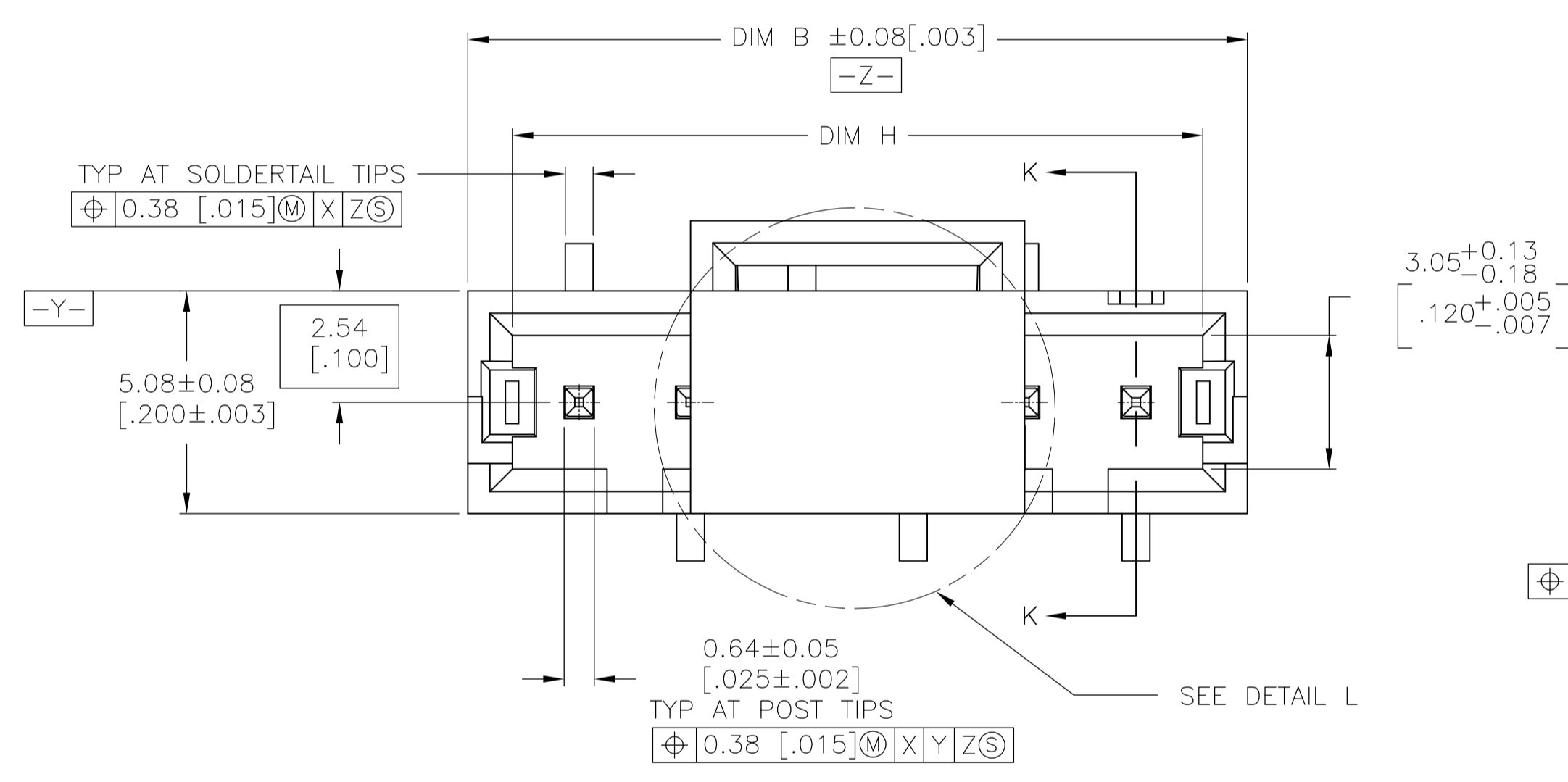


DETAIL L  
SHOWN WITH CAP  
REMOVED FOR CLARITY

- 1 PACKAGE: TAPE AND REEL PER EIA-481 SPECIFICATIONS. SEE TABLE FOR TAPE WIDTHS
- 2 MATERIAL: HOUSING AND PICK & PLACE CAP: HIGH TEMPERATURE THERMOPLASTIC, COLOR - BLACK, CONTACTS: BRASS
- 3 FINISH: CONTACTS: 0.00254[.0001] MATTE TIN OVER 0.00127[.00005] NICKEL
- 4 CIRCUIT POSITION #1 IDENTIFICATION MARK
- 5 DATUMS ARE ESTABLISHED BY CUSTOMER
- 6 PRELIMINARY PART - NOT RELEASED FOR PRODUCTION



RECOMMENDED BOARD LAYOUT

44 [1.732]	28.45 [1.120]	30.48 [1.200]	25.40 [1.000]	9	1825514-5
32 [1.260]	15.75 [.620]	17.78 [.700]	12.70 [.500]	6	1825514-4
56 [2.205]	30.99 [1.220]	33.02 [1.300]	27.94 [1.100]	12	1825514-3
56 [2.205]	36.07 [1.420]	38.10 [1.500]	33.02 [1.300]	14	1825514-2
56 [2.205]	28.45 [1.120]	30.48 [1.200]	25.40 [1.000]	11	1825514-1
TAPE WIDTH	H	B	A	NO OF POSN	PART NUMBER

THIS DRAWING IS A CONTROLLED DOCUMENT.		DIN R BROWN 03MAR2006	<b>STE</b> TE Connectivity		
DIMENSIONS: mm [INCHES]		CHK J GESFORD 03MAR2006			
TOLERANCES UNLESS OTHERWISE SPECIFIED:		APVD J GESFORD 03MAR2006	NAME AMPMODU MTE SURFACE MOUNT, VERTICAL HEADER ASSEMBLY		
0 PLC ± -	1 PLC ± -	2 PLC ± 0.13 [.005]	PRODUCT SPEC 108-25034-2	RESTRICTED TO	
3 PLC ± -	4 PLC ± -	ANGLES ± -	APPLICATION SPEC 114-25026	SIZE A1	CAGE CODE 00779
MATERIAL		FINISH	WEIGHT	SCALE 8:1	SHEET 1 OF 1
				DRAWING NO. 1825514	REV E
				CUSTOMER DRAWING	