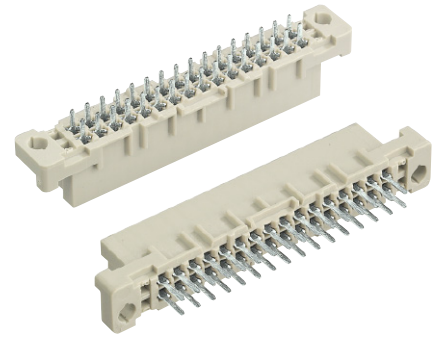


Number of contacts

32

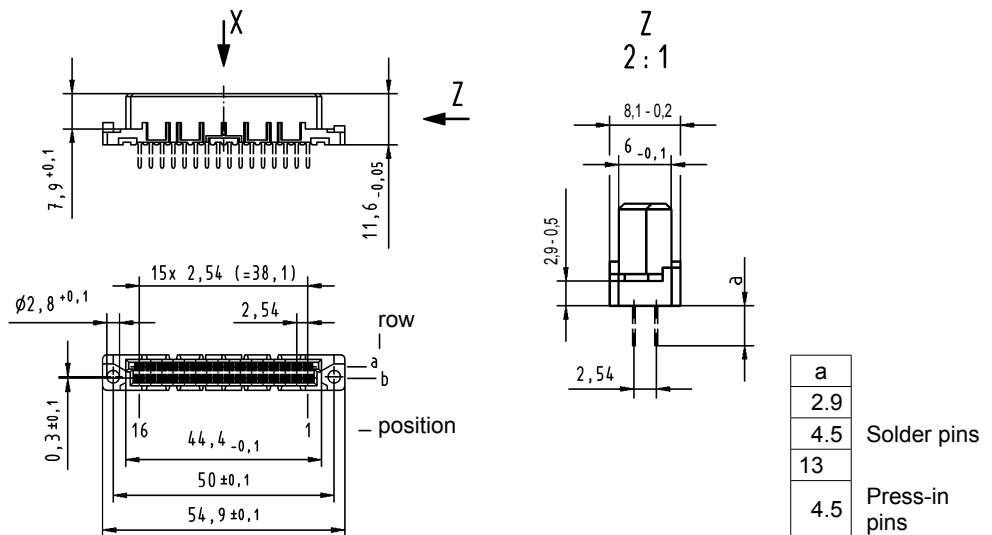


Female connectors

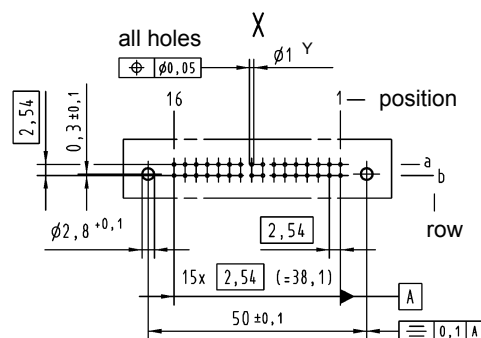
Identification	No. of contacts	Contact arrangement	Part number	Performance levels according to IEC 60603-2. Explanation chapter 00		
				3	2	1
Female connector with solder pins 2.9 mm THR	32		Performance level 3 on request	09 22 232 6824 09 22 232 6824 222 ^{f)} 09 22 432 6824 ^{b)} 09 22 232 6841 ^{d)}	Performance level 1 on request	
	32					
	4.5 mm THR	32				
13 mm THR	32					09 22 232 6421
Female connector with press-in pins 4.5 mm	32					09 22 232 6850

DIN Signal up to 2 A

Dimensions



Board drillings
Mounting side



	Y
Solder	1 ± 0.1
Press-in	see recommendation page 00.25

Cross section of solder terminations
see page 01.13

Dimensions in mm

^{b)} Connectors with snap-in clips see chapter 00
^{d)} CTI > 400

^{f)} Railway classification NFF 16-101, Smoke index: F1, Flammability class: I2
Other contact arrangements on request