

MATERIALS AND FINISHES

SMA PLUG:
 BODY: STAINLESS STEEL
 FINISH: GOLD

COUPLING NUT: STAINLESS STEEL
 FINISH: PASSIVATED

CENTER CONTACT: BRASS
 FINISH: GOLD

INSULATOR: TEFLON

CABLE:
 TEMP-FLEX 100067-1086

LABEL:
 RAYCHEM RPS (WHITE)

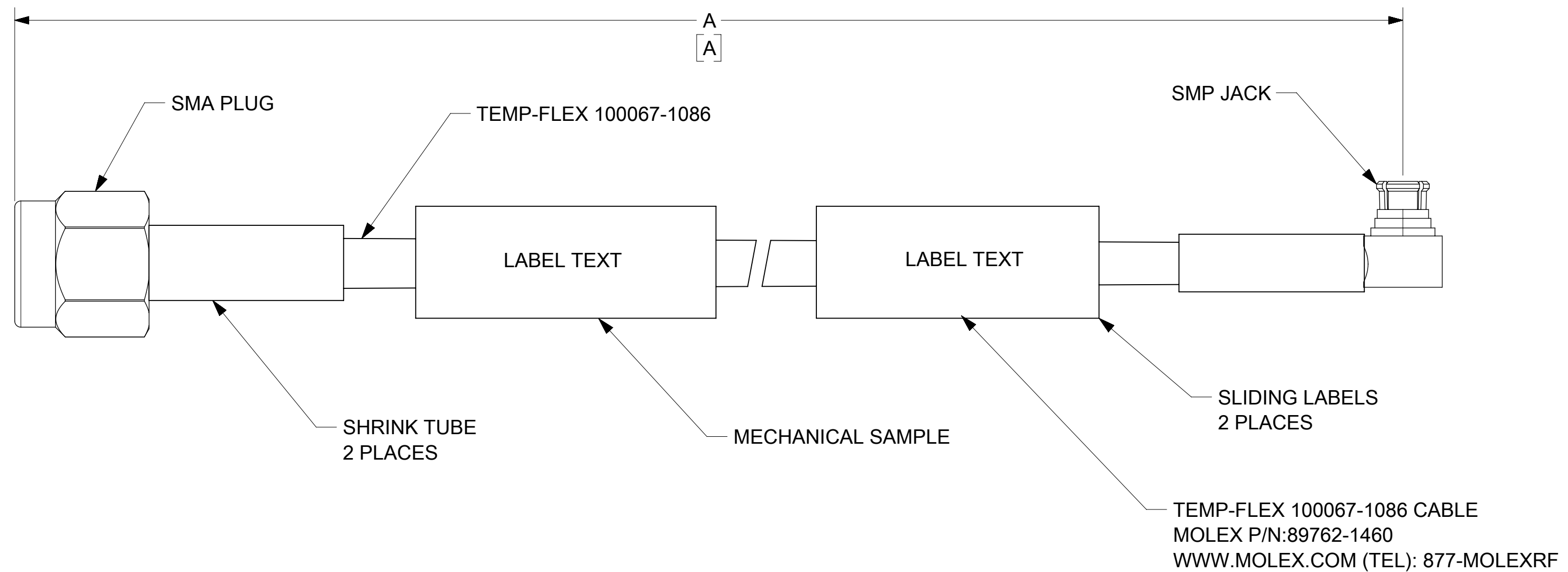
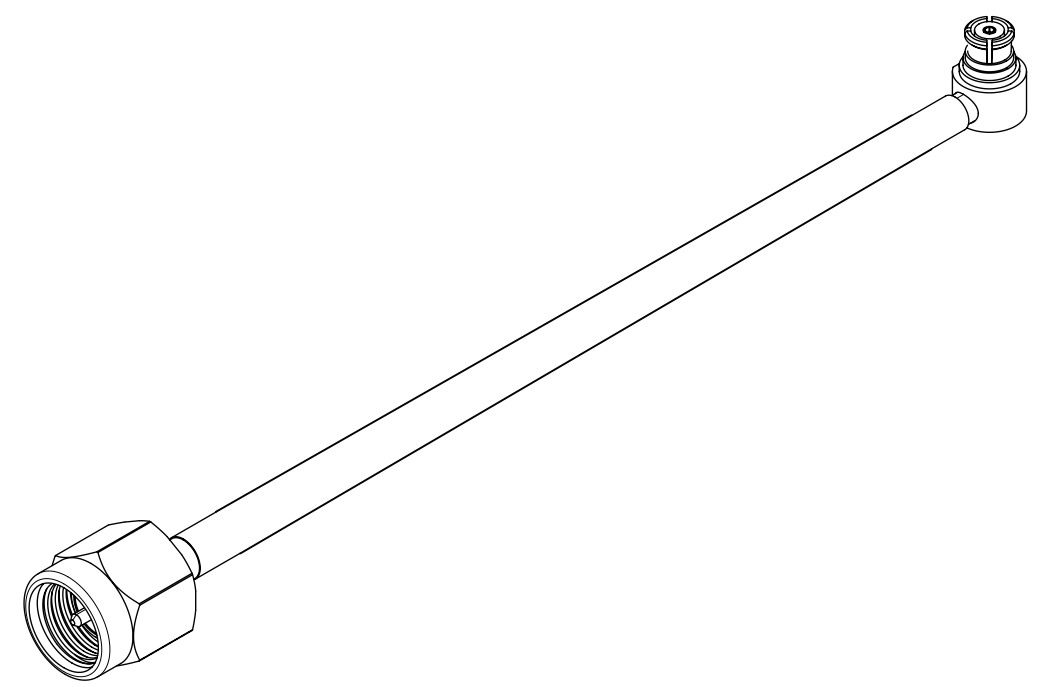
SHRINK TUBE:
 VERSAFIT

SMP JACK:

BODY, CENTER CONTACT: BERYLLIUM COPPER
 FINISH: GOLD

INSULATOR: TEFLON

EMI RING: BRASS
 FINISH: GOLD



89762-1460	203.20 / 8.00
PART NO.	MM/IN
	DIM A

QUALITY SYMBOLS ▽ = 0 ▽ = 0 ▽ = 0 ▽ = 0 ▽ = 0 ▽ = 0 ▽ = 0 ▽ = 0 ▽ = 0 ▽ = 0	THIS DRAWING CONTAINS INFORMATION THAT IS PROPRIETARY TO MOLEX ELECTRONIC TECHNOLOGIES, LLC AND SHOULD NOT BE USED WITHOUT WRITTEN PERMISSION				
	EC NO: 114179 DRWN: PSWAMI02 CHKD: PSWAMI02 REV / APPR: AROBERTSON	GENERAL TOLERANCES (UNLESS SPECIFIED) MM INCH 4 PLACES ± ± 3 PLACES ± ± 2 PLACES ± ± 1 PLACES ± ± 0 PLACES ± ±		DIMENSION UNITS INCH	SCALE DRWN BY: JLEE02 DATE: 2013/04/09 CHK'D BY: PSWAMI02 DATE: 2017/08/17 APPR BY: JWIENER DATE: 2013/04/09
		ANGULAR TOL ±		DRAWING SIZE: C	THIRD ANGLE PROJECTION
		DRAFT WHERE APPLICABLE MUST REMAIN WITHIN DIMENSIONS			
		A1			
molex® CA SMA P STR TO SMP J RA TF086SC-2401, EWR-10560-A CA-SMA/SMP		PRODUCT CUSTOMER DRAWING SERIES: 89762 MATERIAL NUMBER: SEE TABLE CUSTOMER:			
RELEASE STATUS: RELEASE DATE:		DOCUMENT NUMBER: SD-89762-146 DOC TYPE: PSD DOC PART: 000 SHEET NUMBER: 1 OF 1			