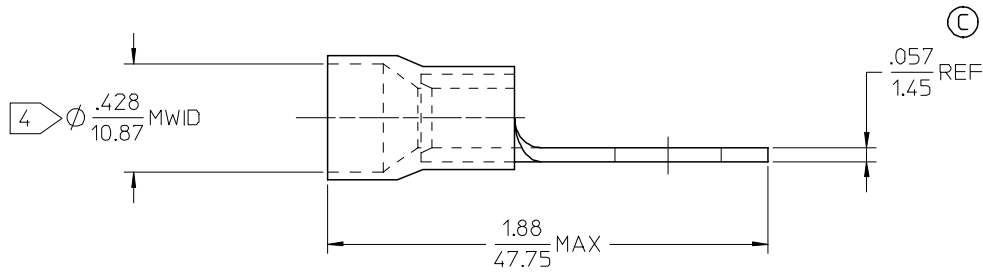
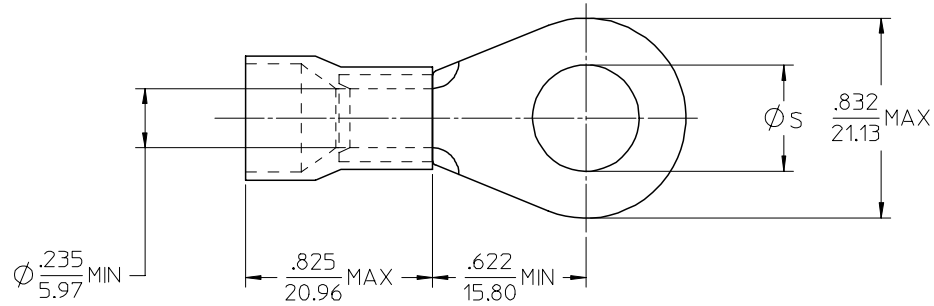


MATERIAL NO.	ENG. NO.	STUD SIZE	$\varnothing S \pm .005/0.13$
190670061	E-958-12	1/2	.515/13.08
190670062	E-958-14	1/4	.265/6.73
190670063	E-958-38	3/8	.390/9.91
190670064	E-958-58	5/8	.656/16.66
190670065	E-958-76	7/16	.453/11.51



NOTE(S):

1. TERMINAL MATERIAL: COPPER ALLOY.
2. TERMINAL FINISH: ELECTRO TIN PLATE.
3. INSULATION MATERIAL: NYLON, COLOR CODED BLUE.
4. MWID = MAXIMUM WIRE INSULATION DIAMETER.
5. ALL COMPONENTS ARE ROHS COMPLIANT.

INCREASED MATL THKNS EC NO: ETC2007-0236 DRW: JHLE 2007/01/04 CHKD: JMACNEIL 2007/01/04 APPR: JMACNEIL 2007/01/05	QUALITY SYMBOLS ▽=0 ▽=0	GENERAL TOLERANCES (UNLESS SPECIFIED)		DIMENSION STYLE	SCALE	DESIGN UNITS	THIRD ANGLE PROJECTION	
		mm	INCH	IN/MM	4:1	INCH		
		4 PLACES ±---	±---	DRAWN BY	DATE	TITLE		
		3 PLACES ±---	±---	EHILE	2006/10/16	RING TONGUE TERMINAL, FUNNEL ENTRY, 6 AWG, NYLAKRIMP		
2 PLACES ±---	±---	CHECKED BY	DATE	MOLEX INCORPORATED				
1 PLACE ±---	±---	JMACNEIL	2006/10/16					
ANGULAR ±---°		APPROVED BY	DATE	MATERIAL NO.	DOCUMENT NO.	SHEET NO.		
DRAFT WHERE APPLICABLE MUST REMAIN WITHIN DIMENSIONS		JMACNEIL	2006/10/16	SEE CHART	SD-19067-014	1 OF 1		
		SIZE	THIS DRAWING CONTAINS INFORMATION THAT IS PROPRIETARY TO MOLEX INCORPORATED AND SHOULD NOT BE USED WITHOUT WRITTEN PERMISSION					
		B						