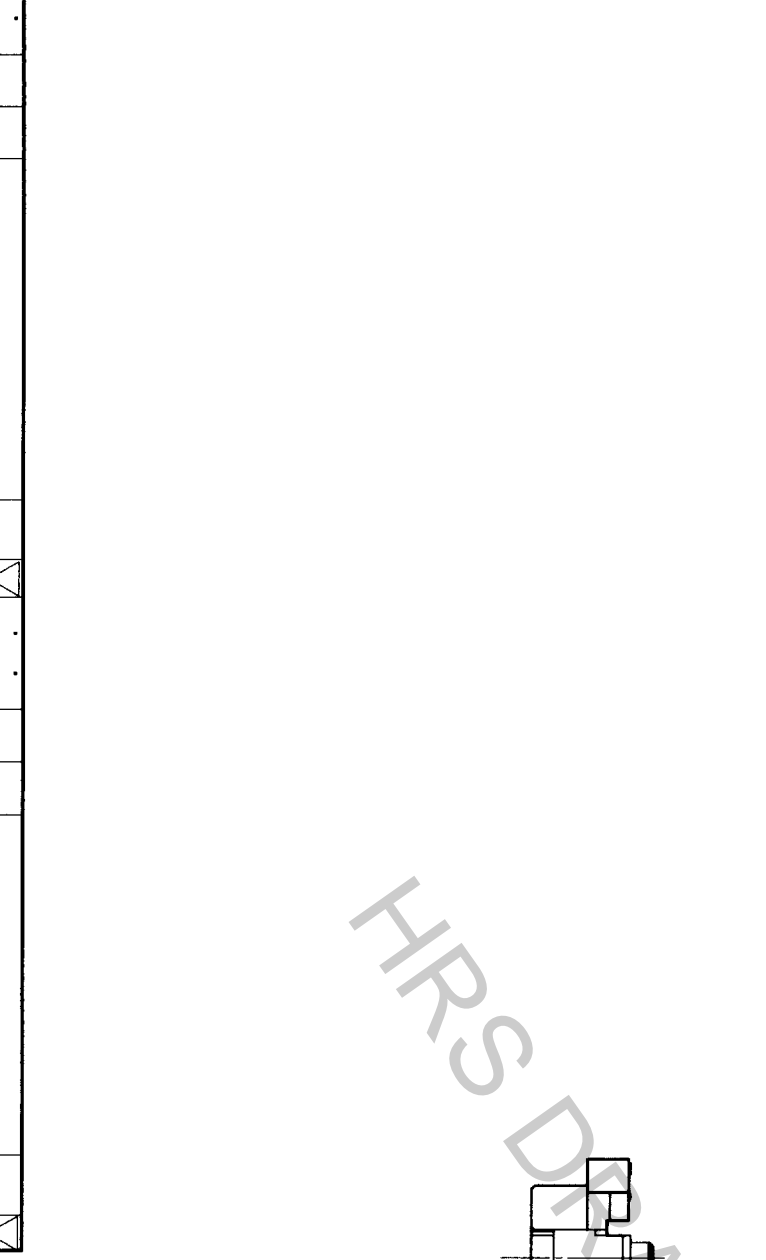
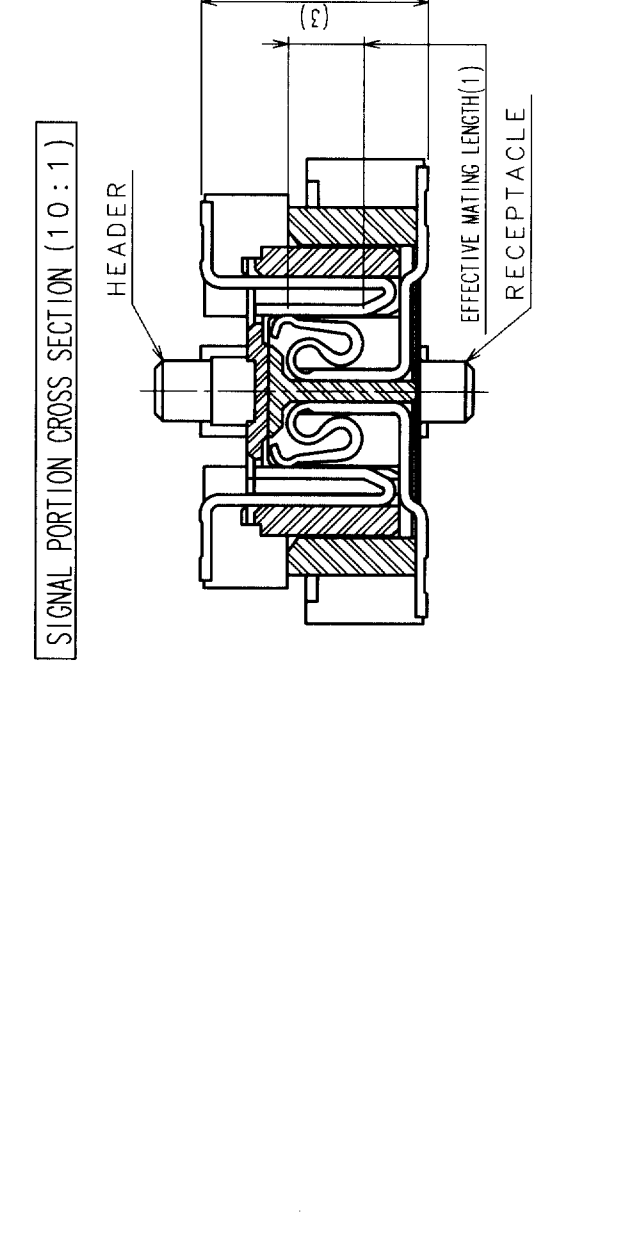


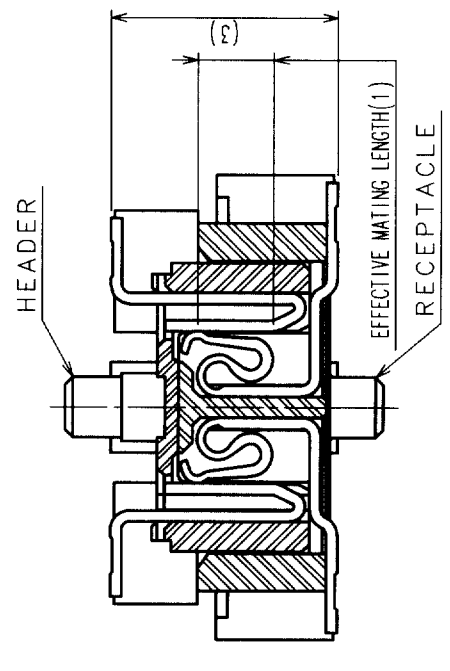
COUNT	DESCRIPTION OF REVISIONS	BY	CHKD	DATE	COUNT	DESCRIPTION OF REVISIONS	BY	CHKD	DATE
△				..	△				..
△				..	△				..
△				..	△				..



RECOMMENDED LAND PATTERN DIMENSION OF PCB



SIGNAL PORTION CROSS SECTION (10:1)



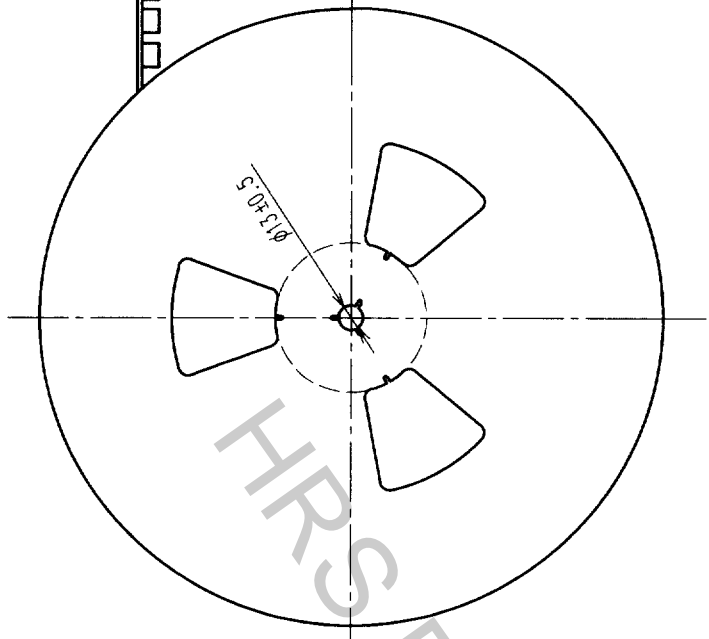
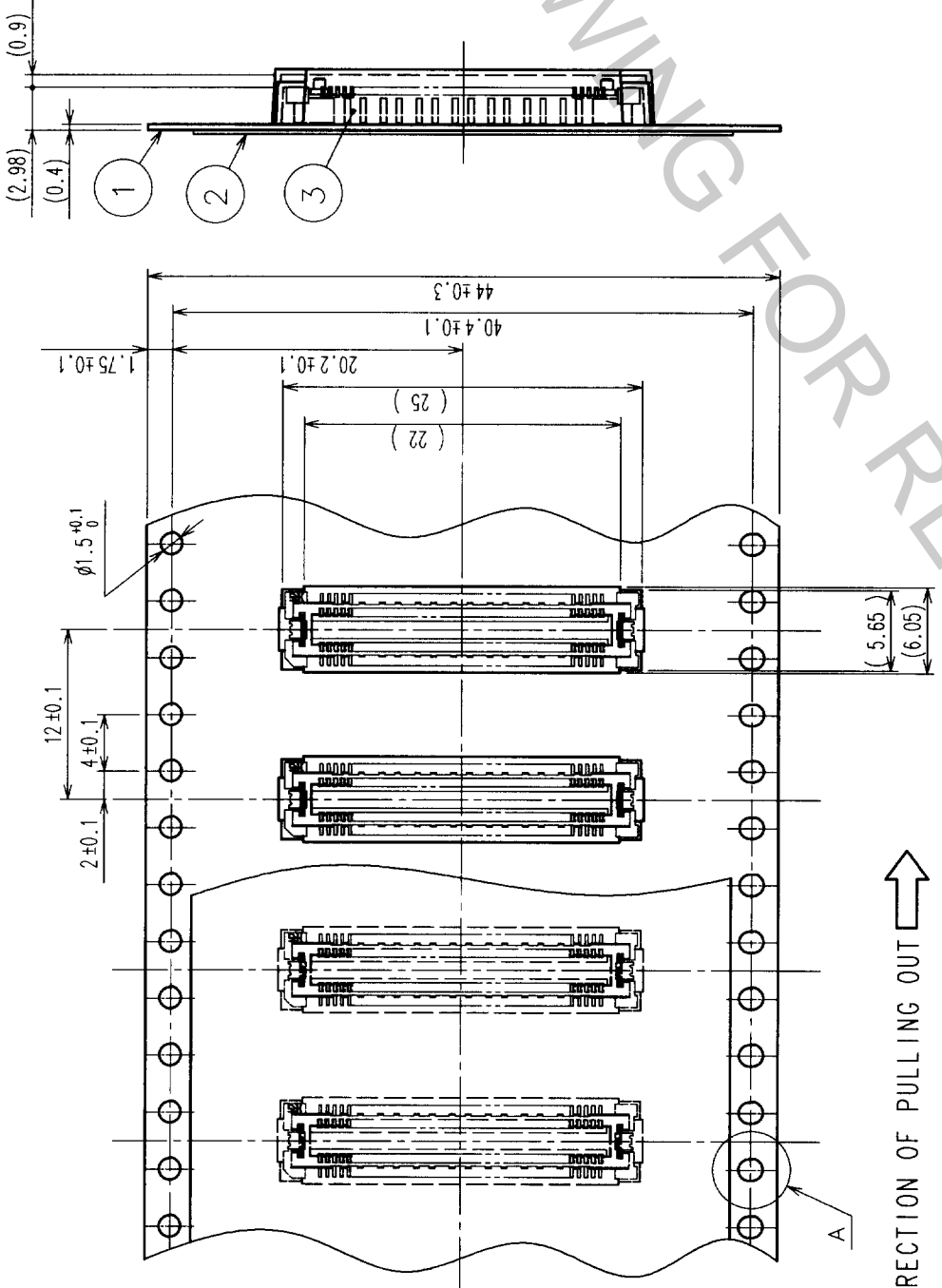
- NOTES 1 SMT LEAD-COPPLANARITY: 0.1 MAX.
- 2 THIS PRODUCT HAS NO POLARITY TO PATTERN FOR MOUNTING.
- 3 MAKE SURE WIDTH OF PATTERN IS WITHIN THAT OF LAND, OR LEAD MAY TOUCH PATTERN. (THIS APPLIES TO HATCHED AREA.)
- 4 DO NOT MOUNT OTHER DEVICES ONTO [] AREA, OR MATING PAIR CANNOT BE MATED.
- 5 TO BE EMBOSSED CARRIER TAPED AS SPECIFIED IN SHEET 2.

2	COPPER ALLOY	CONTACT AREA: GOLD (0.1µm) OVER NICKEL							
1	LCP	LEAD: GOLD FLASH OVER NICKEL							
NO.	MATERIAL	FINISH, REMARKS	NO.	MATERIAL	FINISH, REMARKS	NO.	MATERIAL	FINISH, REMARKS	NO.
	CL	CL		CL	CL		CL	CL	
DRAWN		DESIGNED		CHECKED		APPROVED		RELEASED	
M. Hatakeyama		M. Hatakeyama		H. Okawa		T. Yoshimura			
ED-06-20		ED-06-20		ED-06-20		ED-06-20		ED-06-20	
DRAWING NO.		PART NO.		CODE NO.		FINISH, REMARKS		RELEASED	
EDC3-152626-01		FX11A-80P-SVO.5(21)		CL573-0648-5-21					
SCALE		UNITS		mm					
5 : 1									

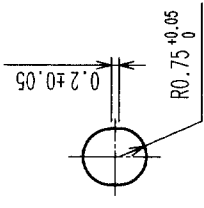
TO
PCK

COUNT	DESCRIPTION OF REVISIONS	BY	CHKD	DATE	COUNT	DESCRIPTION OF REVISIONS	BY	CHKD	DATE
△					△				
△					△				
△					△				

REELED DIMENSION (FREE)



A (5 : 1)



- NOTES 1 REEL: 1000 CONNECTORS.
- 2 MINIMUM 10 COMPARTMENTS FROM BOTH REEL ENDS REMAIN EMPTY.
- 3 THIS PRODUCT HAS NO POLARITY TO TAPE AND REEL PACKAGING.

2	PET	TOP COVER TAPE	3	(CONNECTOR)	FINISH, REMARKS	FINISH, REMARKS		
1	PS	EMBOSSED CARRIER TAPE	3					
NO.	MATERIAL	FINISH, REMARKS	NO.	MATERIAL	DESIGNED	CHECKED	APPROVED	RELEASED
					<i>M. Matsumoto</i>	<i>H. Okawa</i>	<i>T. Yamamoto</i>	
CODE NO. (OLD)		DRAWING NO.		PART NO.		FINISH, REMARKS		
CL		EDC3-152626-01		FX11A-80P-SVO.5(21)				
DRAWING FOR PACKING		SCALE		UNITS		CODE NO.		
		2 : 1		mm		CL573-0648-5-21		2
HIROSE ELECTRIC CO., LTD		HIROSE ELECTRIC CO., LTD		HIROSE ELECTRIC CO., LTD		HIROSE ELECTRIC CO., LTD		HIROSE ELECTRIC CO., LTD

TO	
PCK	