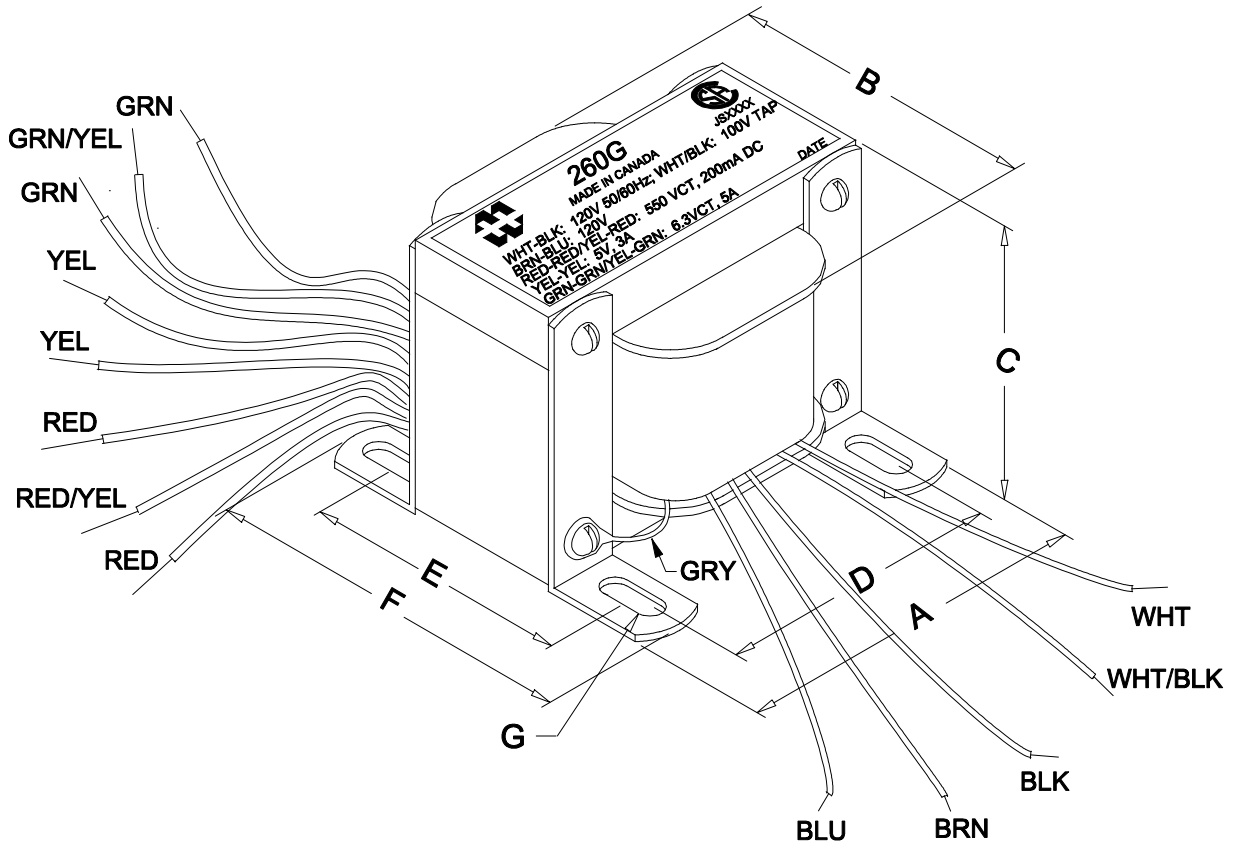
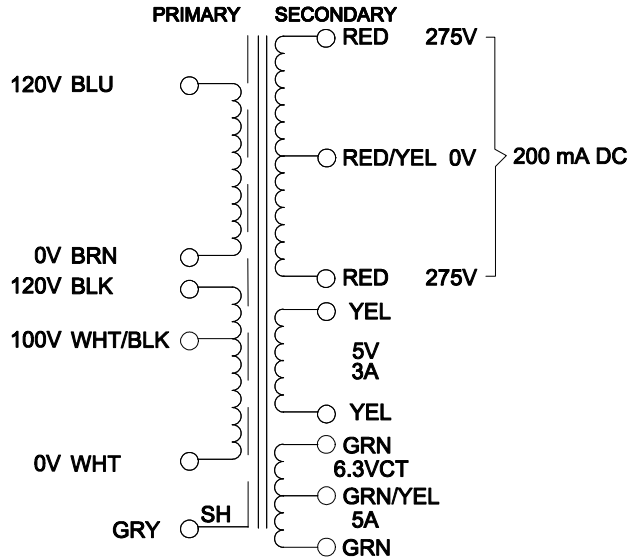


DIMENSIONS:	
A	3.750" ±0.063
B	3.750" ±0.125
C	3.135" ±0.063
D	3.125" ±0.063
E	3.000" ±0.063
F	3.562" ±0.063
G	0.203" X 0.375" ±0.015



NOTE: ALL LEADS 12.0" LONG MIN., STRIPPED .5".



ELECTRONIC DIVISION
 52 RANKIN PLACE,
 WATERLOO, ONTARIO, N2J 3Z5
 PH # (519) 886-6181
 FAX # (519) 886-9540

TITLE		260G		EDB260G
NO	DATE	REVISION	DWG. BY	
0	05/05/14	RELEASED.	C.I. CORINA ILIE	
			DATE	
			05/05/14	
			DIM IN()MM()	