

4

3



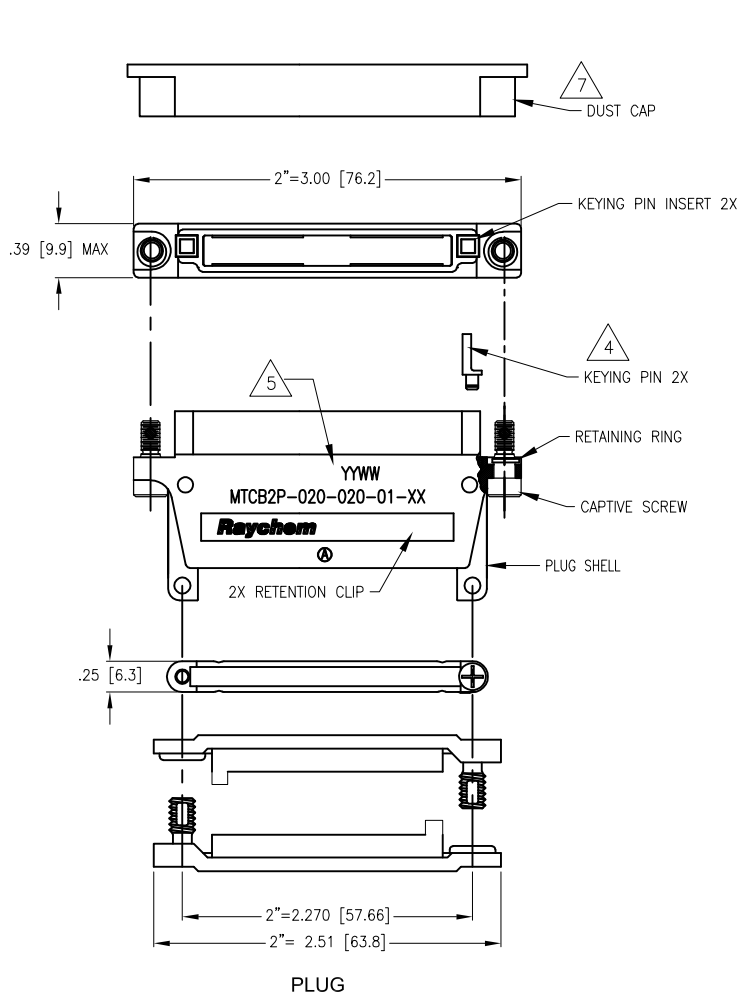
2

1

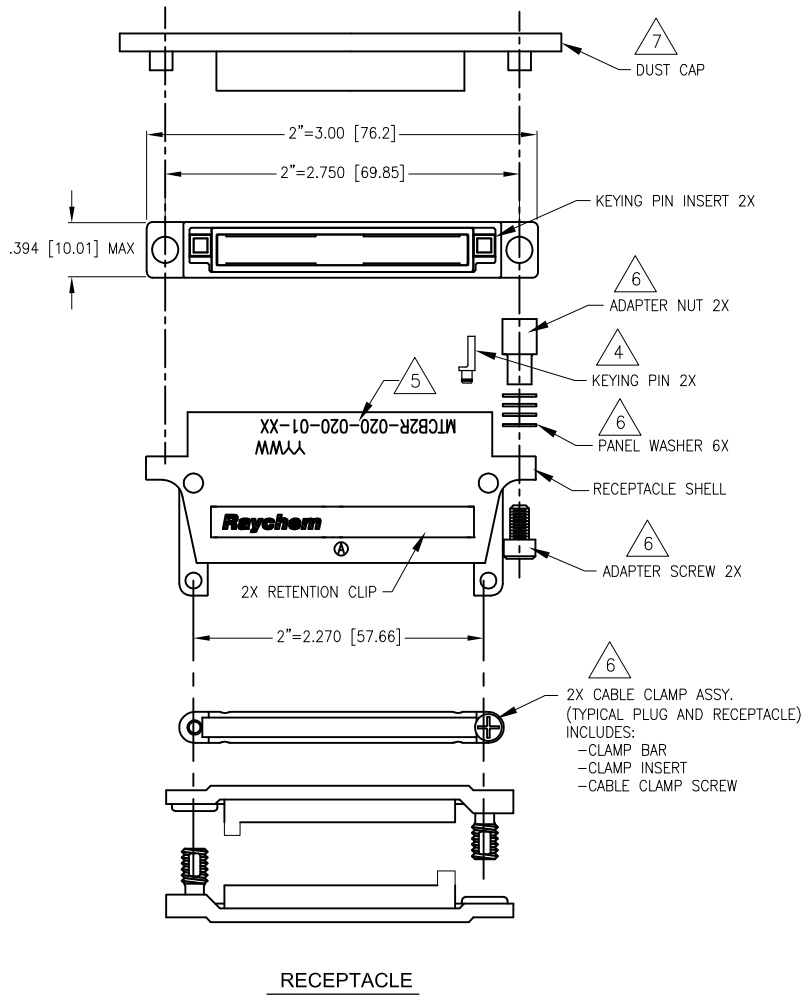
THIS DRAWING AND THE INFORMATION SET FORTH HEREON ARE THE PROPERTY OF TYCO ELECTRONICS CORPORATION, AND ARE TO BE HELD IN TRUST AND CONFIDENCE. PUBLICATION, DUPLICATION, DISCLOSURE, OR USE FOR ANY PURPOSE NOT EXPRESSLY AUTHORIZED IN WRITING BY TYCO ELECTRONICS IS PROHIBITED.

REVISIONS			
LTR	DESCRIPTION	DATE	APPROVED
A	INITIAL RELEASE PER DCR C050055	2/14/05	MHIGGY
B	REVISED PER ECO-12-020967	07DEC12	CT

NOTES: SEE SHT. 2



PLUG



RECEPTACLE

© 2005 Tyco Electronics Corporation. All rights reserved.

SPECIFICATION CONTROL DRAWING

UNLESS OTHERWISE SPECIFIED DIMENSIONS ARE IN INCHES. METRIC DIMENSIONS ARE IN BRACKETS. DECIMALS .XXX ±.005 { .13 mm } .XX ±.02 { .5 mm } ANGLES .X ± WEIGHT:	DRAWN MFORONDA 2/10/04		Tyco Electronics Corporation 300 Constitution Drive Menlo Park, CA. 94025 U.S.A.			
	CHECKED	APPROVED MHIGGY 2/10/04	TITLE SHELL ASSEMBLY, 2-INCH PLUG AND RECEPTACLE NICKEL-PLATED, MTC100 SERIES			
	APPROVED	CAD NAME MTCB2X-020-020-01-XX	SIZE C	CODE IDENT. NO. 06090	DWG. NO. MTCB2X-020-020-01-XX	REV B
	THIRD ANGLE PROJECTION 	DO NOT SCALE THIS DRAWING		SHEET 1 OF 2		

4

3



2

1

DWG NO. MTCB2X-020-020-01-XX SHEET 1

NOTES:

1. PART NUMBER VARIABLES:

MTCB2X-020-020-01-XX



KEYING CODE AA THRU DD (SEE TABLE 1)

P= PLUG

R= RECEPTACLE

2= 2 INCH CONNECTOR

MTC CONNECTOR, 100 SERIES

2. MATERIALS:

- | | |
|-------------------------|--|
| A) SHELL | ALUMINUM ALLOY 380 PER ASTM B85 |
| B) RETENTION CLIP | COPPER ALLOY 172 PER ASTM B194 |
| C) CAPTIVE SCREW | STAINLESS STEEL PER SAE AMS-5737 |
| D) RETAINING RING | COPPER ALLOY 172 PER ASTM B194 |
| E) ADAPTER SCREW | STAINLESS STEEL PER SAE AMS-QQ-S-763 |
| F) ADAPTER NUT | STAINLESS STEEL PER ASTM A484 |
| G) PANEL WASHER | STAINLESS STEEL PER ASTM A666 |
| H) KEYING PIN | HIGH GRADE POLYARYLENE THERMOPLASTIC, MOLDED |
| J) KEY PINS INSERT | HIGH GRADE POLYARYLENE THERMOPLASTIC, MOLDED |
| K) CABLE CLAMP ASSEMBLY | |
| - CLAMP BAR | STAINLESS STEEL PER ASTM A666 |
| - CLAMP INSERT | SILICONE ELASTOMER PER MIL-R-25988 |
| - CABLE CLAMP SCREW | STAINLESS STEEL PER SAE AMS-QQ-S-763 |

3. FINISH:

- | | |
|-------------------------|---|
| A) SHELL | NICKEL PLATED PER SAE AMS-C-26074, CLASS 3, GRADE B. |
| B) RETENTION CLIP | NICKEL PLATED PER SAE AMS-C-26074, CLASS 2, .00002 MIN. |
| C) CAPTIVE SCREW | PASSIVATED PER SAE AMS-QQ-P-35. |
| D) RETAINING RING | NICKEL PLATED PER SAE AMS-C-26074, CLASS 2, .00002 MIN. |
| E) ADAPTER SCREW | PASSIVATED PER SAE AMS-QQ-P-35. |
| F) ADAPTER NUT | PASSIVATED PER SAE AMS-QQ-P-35. |
| G) PANEL WASHER | PASSIVATED PER SAE AMS-QQ-P-35. |
| H) CABLE CLAMP ASSEMBLY | |
| - CLAMP BAR | PASSIVATED PER SAE AMS-QQ-P-35. |
| - CABLE CLAMP SCREW | PASSIVATED PER SAE AMS-QQ-P-35. |

- 4. SEE TABLE 1 FOR KEYING PIN ORIENTATION VARIABLES.
- 5. APPROPRIATE PART NUMBER AND DATE CODE ARE STAMPED APPROXIMATELY AS SHOWN.
- 6. THESE ITEMS ARE SUPPLIED UNASSEMBLED.
- 7. DUST CAP SUPPLIED WITH EACH PLUG AND RECEPTACLE.
- 8. PART NUMBER WEIGHTS:
MTCB2P-020-020-01-XX: 34.2 GRAMS MAX.
MTCB2R-020-020-01-XX: 38.3 GRAMS MAX.

4 TABLE | KEYING CODES

POSITION OF PROJECTING TAB (TYP)		
	-A A-	
	-A B-	
	-A C-	
	-A D-	
	-B A-	
	-B B-	
	-B C-	
	-B D-	
	-C A-	
	-C B-	
	-C C-	
	-C D-	
	-D A-	
	-D B-	
	-D C-	
	-D D-	
	-X X-	
RECEPTACLE	CODE	PLUG

SPECIFICATION CONTROL DRAWING

SIZE C	CODE IDENT. NO. 06090	DWG. NO. MTCB2X-020-020-01-XX	REV B
DO NOT SCALE THIS DRAWING		CAD NAME: C050055B.dwg	SHEET 2 OF 2