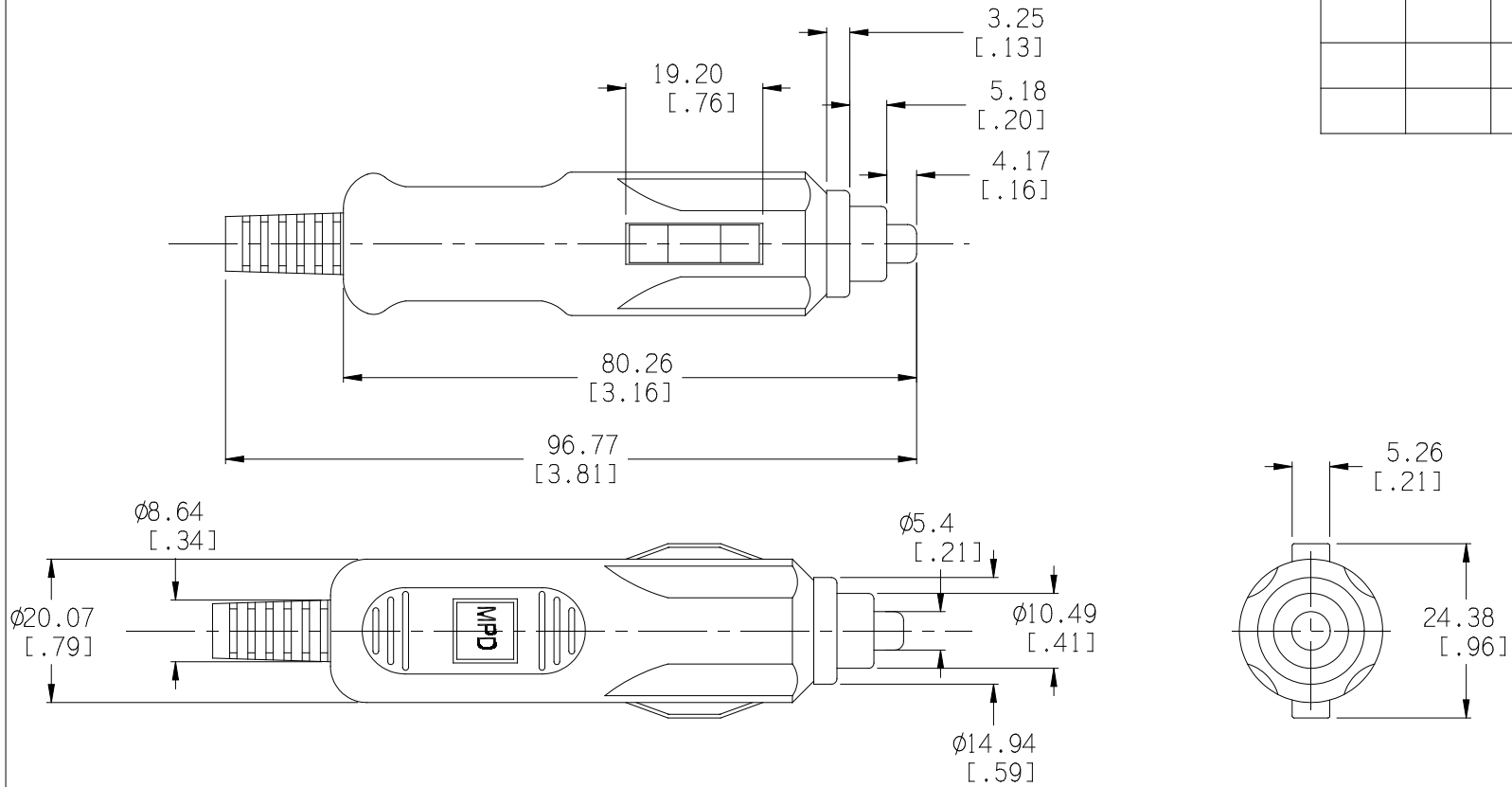



| Date | SYM | REVISION RECORD | AUTH | DR. | CK. |
|----------|-----|---|------|------|-----|
| 3/11/06 | A | ADDED SPRING MATERIAL | T.B. | B.S. | |
| 12/01/07 | B | ADDED " ROHS COMPLIANT" UL94V-HB WAS UL94V-0 | T.B. | B.S. | |
| | | | | | |
| | | | | | |



SPECIFICATION:

BODY: HIGH IMPACT ABS, UL94V-HB, FILE NO. E56070(S)
 COLOR: GRAY, NO LED
 CENTER CONTACT: BRASS, NICKEL PLATED
 SLIDING CONTACTS: PHOS. BRONZE, NICKEL PLATED
 SPRING: PHOS. BRONZE WIRE
 WIRE STRAIN RELIEF: PVC
 FUSE: 250V, 3 AMP, 3AG 6.35mm x 30mm (1/4" X 1 1/4")
 RATED AT 18 HOURS, CONTINUOUS DUTY
 10 AMP'S MAX WITH CORRECT FUSE.
 ROHS COMPLIANT

| | | | |
|--------------------|---|----------------|------------------|
| Tolerance (Inches) |  Memory Protection Devices, Inc. 200 Broad Hollow Road, Farmingdale, New York 11735 | | |
| Decimal | | Scale | Drawn By B.S. |
| ±.5 (.020) | | | Approved By T.B. |
| Fractional | Title | | |
| ± .8 (.030) | CIGARETTE PLUG FOR 21 OR 22.2mm DIA. SOCKETS | | |
| Angular | Date | Drawing Number | |
| ± 3° | 12/01/07 | APP-004 | |