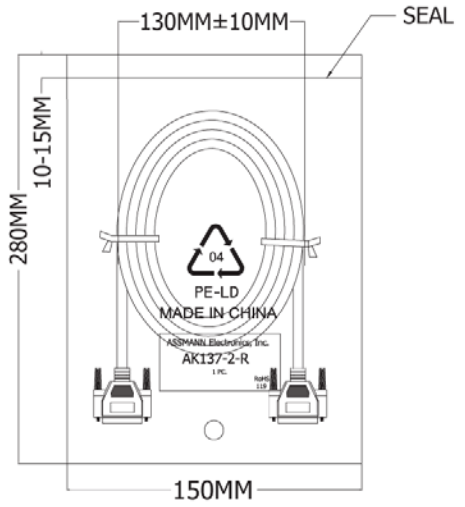
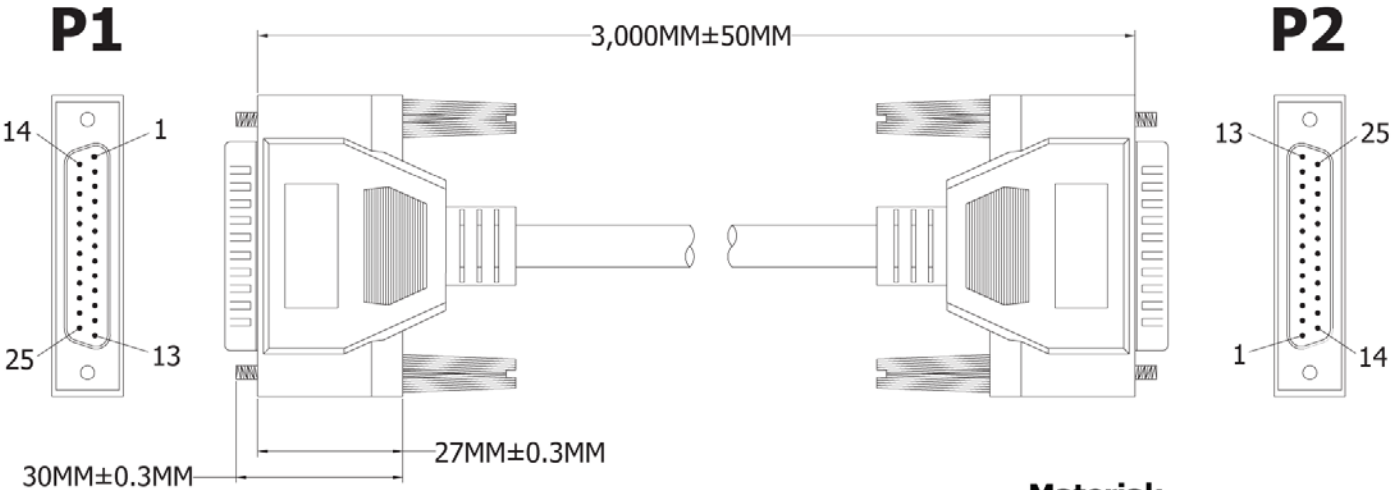


1 2 3 4 5 6 7

A
B
C
D
E
F
G
H

A
B
C
D
E
F
G
H



*Pin Assignment 1:1

Material:

- Cable: NOUL 28AWG*25C+D+AL/MY
 - OD: 6.5MM
 - Color: Beige
- Connectors: DB 25 Pin Soder Type
 - Pin G/F
 - Shell: Ni-Plated
 - Insulator Color: Blue
- Inner Jacket: Clear LD-PE
- Outer Jacket: PVC 40P (Beige)
- Screw: #4-40UNC Type, Nickel Plated

Electrical:

- 100% Open short & mis wire test
- Contact Resistance: 5Ω Max.
- Insulation Resistance: 10Ω Min.
- Hi-Pot: 300V DC / 10MS

Unit: mm



Scale	Free					Date	Name
TOLERANCE						Drawn	14.11.11
X.X	±0.40					Approved	
X.XX	±0.25						
X.XXX	±0.15						
DIM	TOL						
X.°	±3°						
X.X°	±X°						
Angle	TOL	Id.	Modification	Date	Name		

Title	Serial/Parallel connection cable
	25 pin male ↔ 25 pin male, 3 meters
ASSMANN WSW-No.	AK162-3
Drawing-No.	
Replace	rev00
Sheet	1/1

1 2 3 4 5 6 7