

COUNT	DESCRIPTION OF REVISIONS	BY	CHKD	DATE	COUNT	DESCRIPTION OF REVISIONS	BY	CHKD	DATE

Fig.1 : RECOMMENDED PATTERN

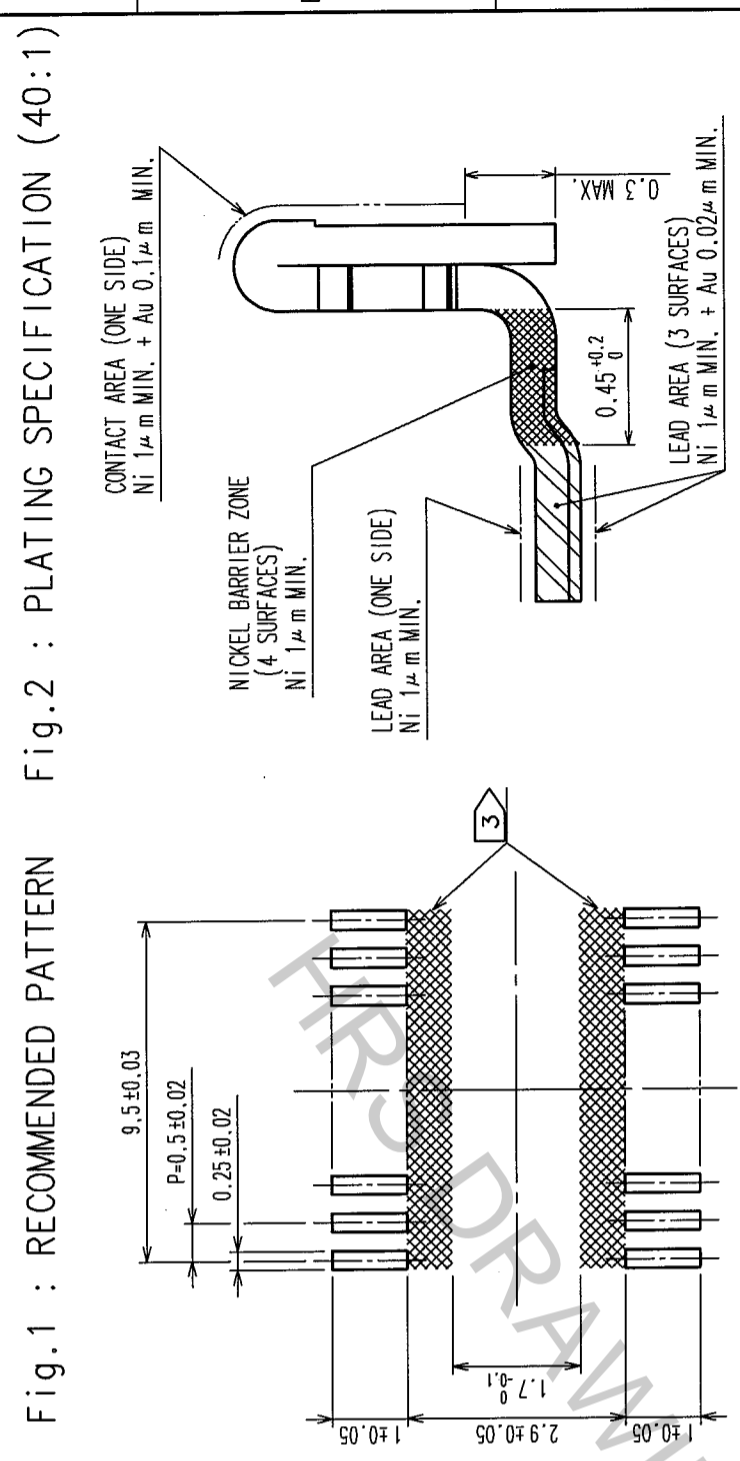


Fig.2 : PLATING SPECIFICATION (40:1)



Fig.3 : A-A CROSS SECTION VIEW

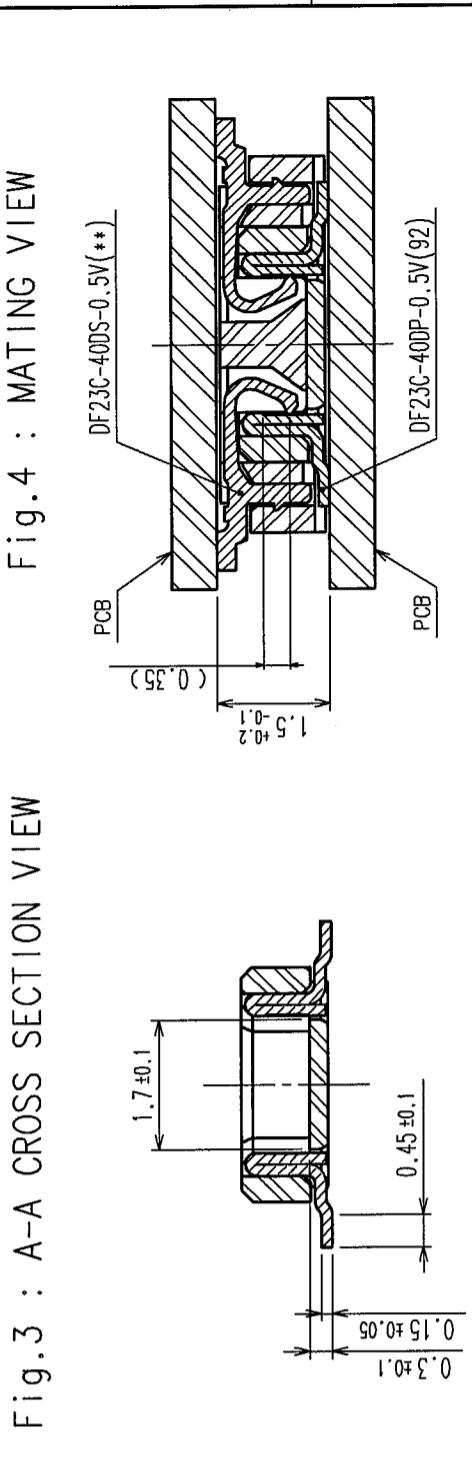
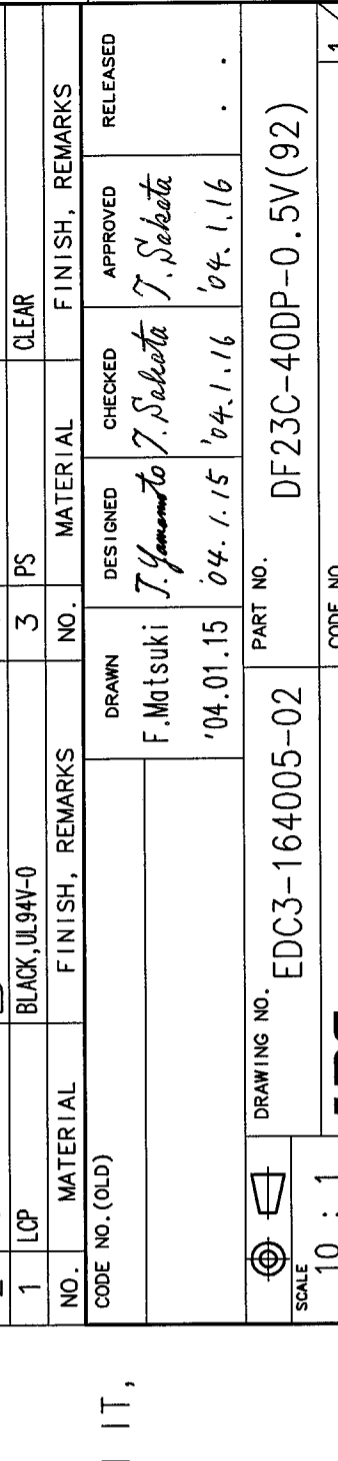


Fig.4 : MATING VIEW



2	PHOSPHOR BRONZE	②	4	POLYESTER	CLEAR
1	LCP	BLACK, UL94V-0	3	PS	CLEAR
NO.	MATERIAL	FINISH, REMARKS	NO.	MATERIAL	FINISH, REMARKS
CODE NO. (OLD)	DRAWN		DESIGNED	CHECKED	APPROVED
	F.Matsuki		T.Yamamoto	T.Sakata	T.Sakata
	'04.01.15		'04.1.15	'04.1.16	'04.1.16
DRAWING NO.	EDC3-164005-02	PART NO.	DF23C-40DP-0.5V(92)		
SCALE	10 : 1	CODE NO.	CL688-0803-3-92		
UNITS	mm				

- NOTES
- 1 LEAD CO-PLANARITY SHALL BE 0.1mm MAX.
 - ② REFER TO Fig.2
 - ③ WHEN A PART MARKED WITH HAS A PATTERN BUT NO RESIST ON IT, TAKE CARE TO PREVENT THE CONNECTOR FROM TOUCHING IT.

TO

COUNT	DESCRIPTION OF REVISIONS	BY	CHKD	DATE	COUNT	DESCRIPTION OF REVISIONS	BY	CHKD	DATE

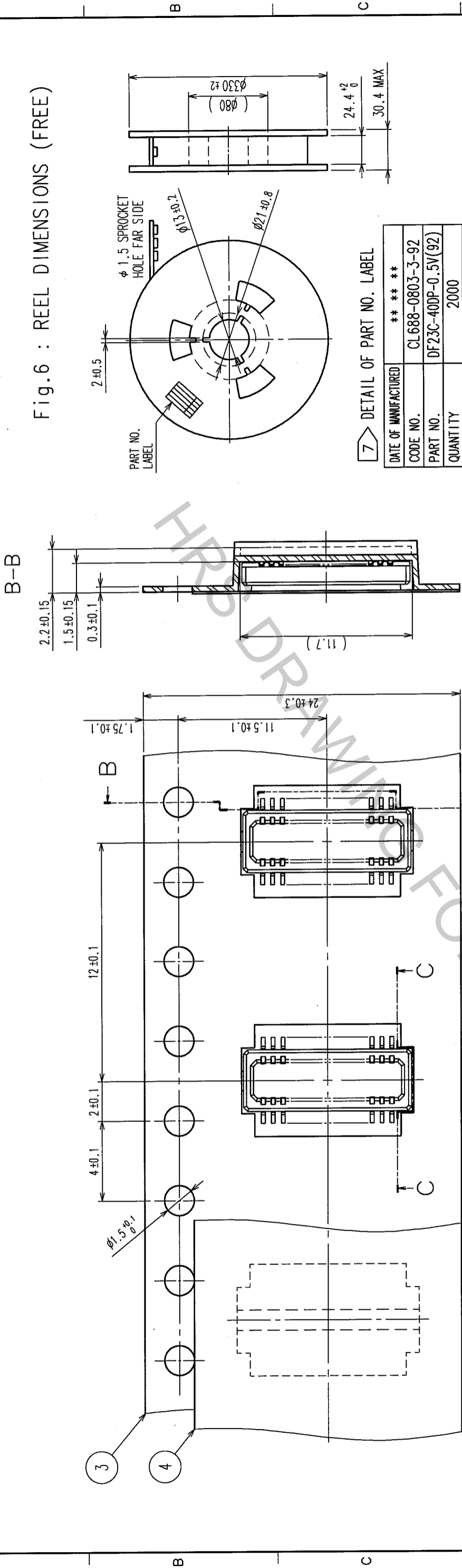


Fig.6 : REEL DIMENSIONS (FREE)

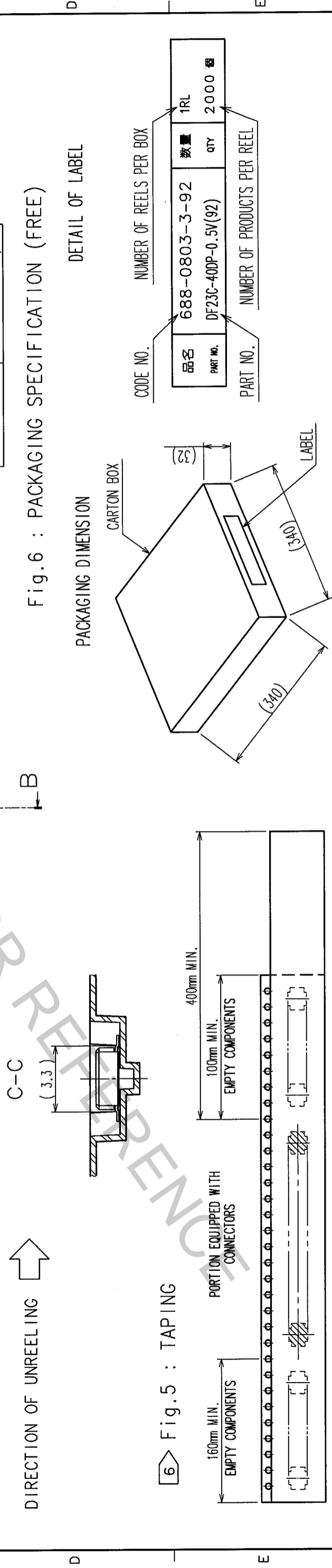


Fig.6 : PACKAGING SPECIFICATION (FREE)

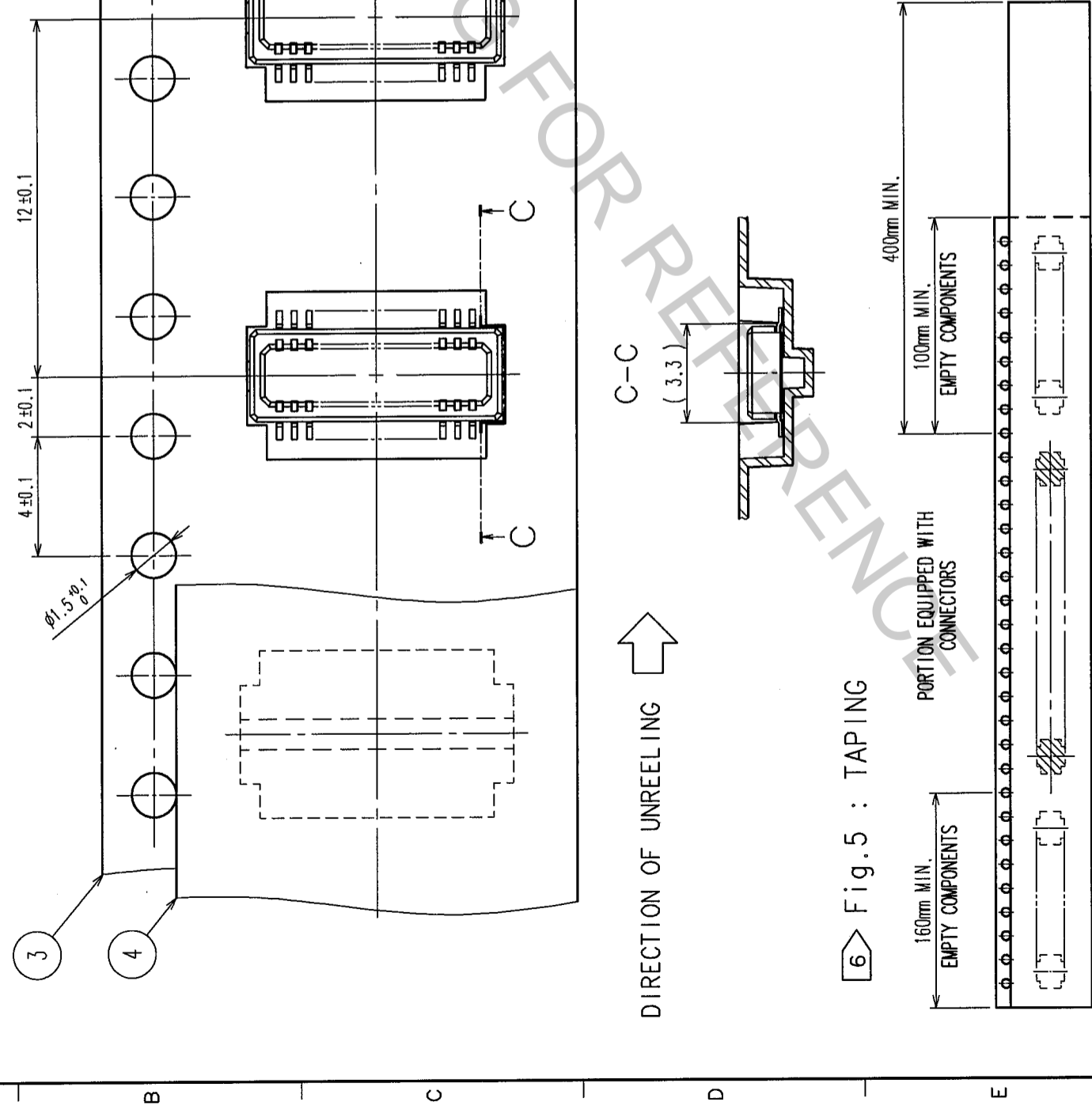


Fig.5 : TAPING

TO	DATE	BY	CHKD	DATE	COUNT	DESCRIPTION OF REVISIONS	BY	CHKD	DATE

CODE NO. (OLD)		CODE NO.	EDC3-164005-02	PART NO.	DF23C-40DP-0.5V(92)	DESIGNED	T. Yamamoto	CHECKED	T. Sakata	APPROVED	T. Sakata	RELEASED	
DRAWN	F. Matsuki	DATE	'04.01.15	DATE	'04.1.16	DATE	'04.1.16	DATE	'04.1.16				
SCALE	5 : 1												
UNITS	mm												

TRAILER													
LEADER													

NOTES	4 PER REEL 2000 CONNECTORS
5 THE DIMENSIONS IN PARENTHESES ARE FOR REFERENCE.	
6 REFER TO JIS C 0806	
(PACKAGING OF COMPONENTS FOR AUTOMATIC HANDLING)	
7 DETAIL OF PART NO. LABEL IS WRITTEN IN JAPANESE.	

