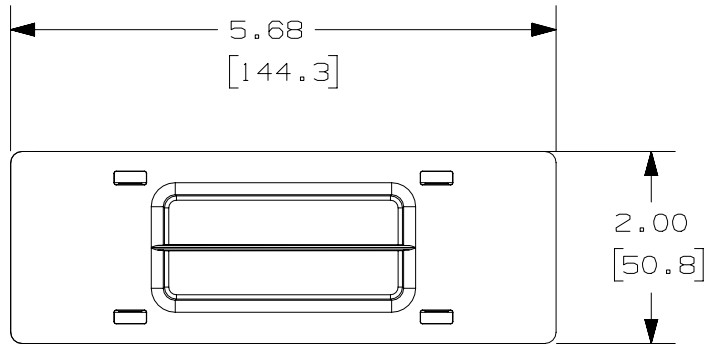


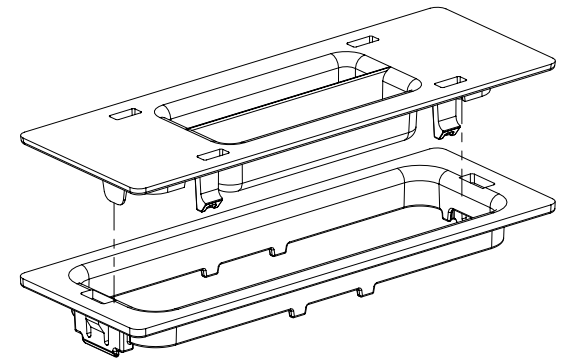
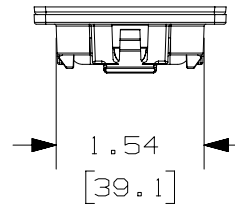
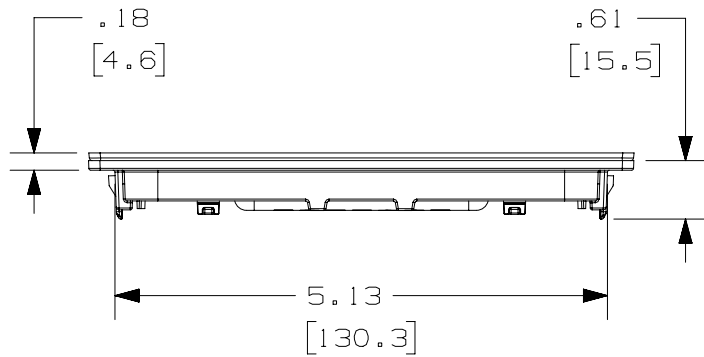
THIS COPY IS PROVIDED ON A RESTRICTED BASIS AND IS NOT TO BE USED IN ANY WAY DETRIMENTAL TO THE INTERESTS OF PANDUIT CORP.

PANDUIT PART NUMBER	WEIGHT
CTCN1X5	33.8 G / EACH .075 LBS / EACH



**NOTES:**

- PANDUIT PART NUMBER CTCN1X5 INCLUDES:  
ONE (1) CABINET TOP COVER.  
ONE (1) CABLE PROTECTION BEZEL.
- FOR USE WITH CABINET 2.0 NET-ACCESS CABINETS.
- USED TO SEAL OFF 1" X 5" CABINET OPENINGS AFTER KNOCK-OUTS HAVE BEEN REMOVED. CAN ALSO BE USED TO ADD THE CTGN1X5 TO OPENINGS WHERE KNOCK-OUTS HAVE BEEN REMOVED.
- DIMENSIONS IN PARENTEHESES ARE METRIC.
- WITH CABINET TOP COVER REMOVED, CABLE PROTECTION BEZEL OPENING IS 1.35 X 4.75 (15.63 in<sup>2</sup>).



C

REV	DATE	BY	CHK	APR	DESCRIPTION	ECN
3	5-06-16	MES	DWR		GEOMETRY UPDATE	V09000UR/01
2	03-08-13	SSP	DWR	RN	RELEASED TO PRODUCTION C. REMOVED PRIOR NOTE(S)	12D287AA-DC

TITLE <b>1.5" X 5" CABINET TOP COVER AND CABLE PROTECTION BEZEL (CTCN1X5)</b> CUSTOMER DRAWING	
ITEM REVISION NAME 12D287AA/05	<b>PANDUIT</b> <sup>TM</sup>
DATASET FILE NAME 12D287AA_DC/05B CTCN1X5	
UNLESS OTHERWISE SPECIFIED, DIMENSIONAL TOLERANCES ARE: IN (mm)	
.X ± .XX ± .03 [ .8 ]	.XXX ± ANGLES ±
THIRD ANGLE PROJECTION	
DRAWING NUMBER: 12D287AA-DC	
DRAWN BY SSP	DATE 08-21-12
CHK DWR	SCALE NONE
SHT 1 OF 1	
SIZE A	

2

1

D10100DA/12