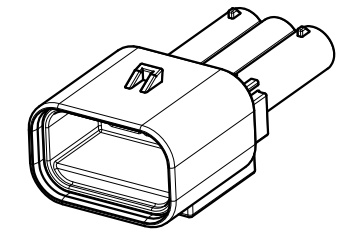
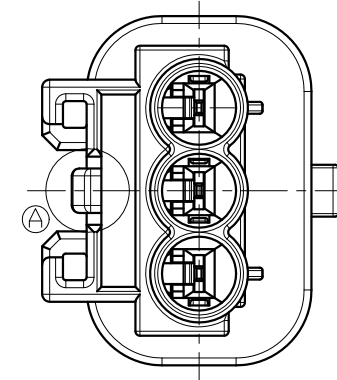
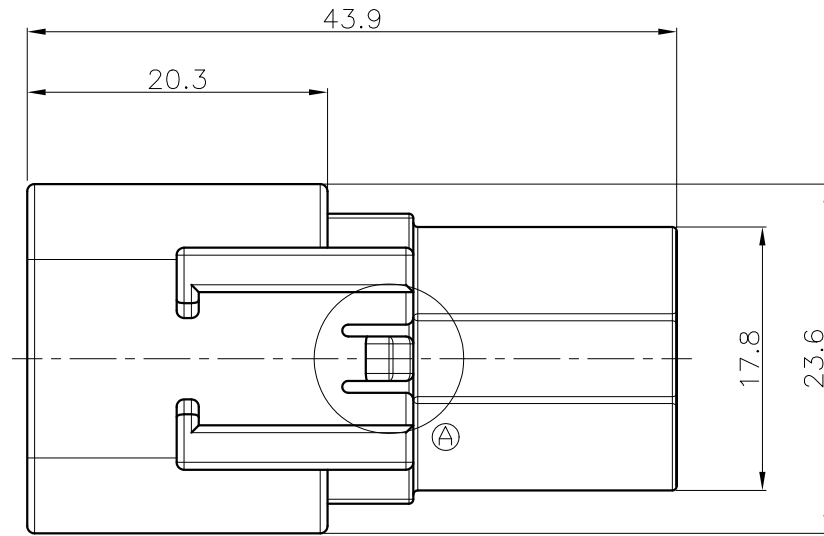
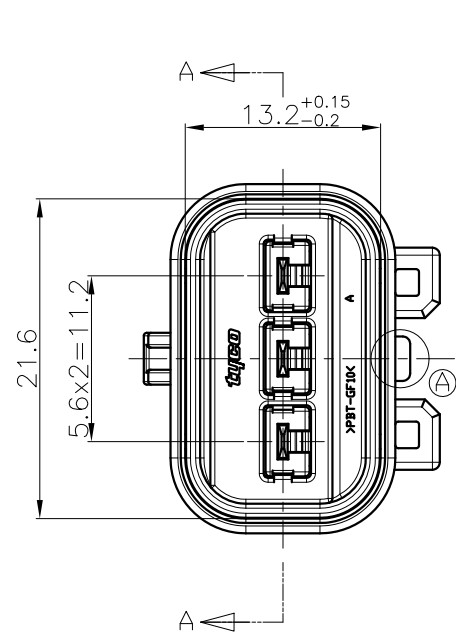


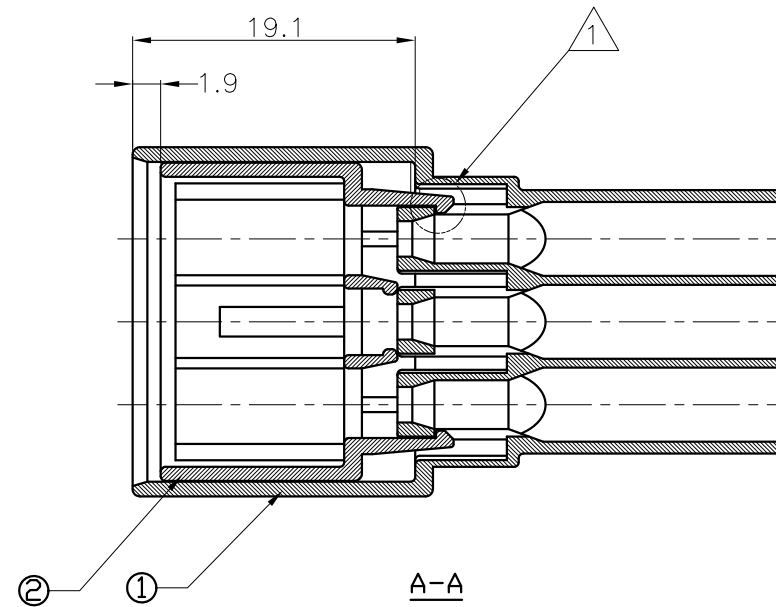
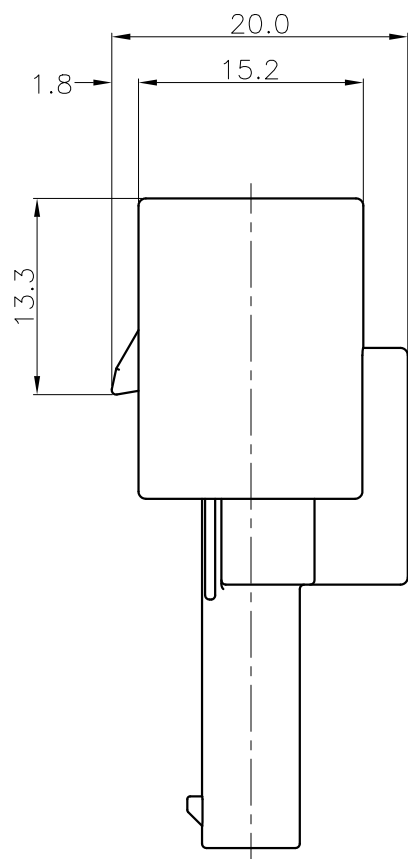
THIS DRAWING IS UNPUBLISHED. RELEASED FOR PUBLICATION

© COPYRIGHT BY TYCO ELECTRONICS CORPORATION, ALL RIGHTS RESERVED.

LOC	DIST	REVISIONS					
		P	LTR	DESCRIPTION	DATE	DWN	APVD
DS				RELEASED ECN<FC00-0137-02>	12/NOV/02	JW	CS
				REVISED <ECR-06-021750>	14/SEP/06	BH	JK



3D VIEW(SCALE 1:1)



NOTES

① CONDITION OF DELIVERY : DBL PLATE IN OPEN POSITION.

2. APPLIED TAB CONTACT P/N:

CONTACT	.090 TERMINAL		
Part NO.	936260-1	936261-1	936262-1
WIRE SIZE(mm ²)	0.3-AVS0.5	0.85-AVS1.25	AVSS2.0, AESSXF2.5

3. APPLIED FEMALE CONNECTOR P/N : 936251-2

4. APPLIED WIRE COVER HSG P/N : 936312-1
(CORRUGATOR DIA : Ø5)

NO.	COLOR	MATERIAL	DESCRIPTION	P/N	REV
2	WHITE	PBT GF10	DBL PLATE	936296-1	1
1	BLACK	PBT	CAP HSG	936245-2	1

THIS DRAWING IS A CONTROLLED DOCUMENT FOR TYCO ELECTRONICS CORPORATION. IT IS SUBJECT TO CHANGE AND THE CONTROLLING ENGINEERING ORGANIZATION SHOULD BE CONTACTED FOR THE LATEST REVISION.

DIMENSIONS: MM	TOLERANCES UNLESS OTHERWISE SPECIFIED: 0 <XX<10 ± 0.2 10<XX<30 ± 0.25 30<XX ± 0.3 ANGLES ± 3°
----------------	---

MATERIAL	FINISH
SEE TABLE	

DWN : BH LEE

CHK : YM CHOI

APVD : JK SONG

PRODUCT SPEC

APPLICATION SPEC

WEIGHT

CUSTOMER DRAWING



Tyco Electronics

Tyco Electronics
Kyungsan, Korea

NAME

.090 SEALED 3P CAP ASS'Y

SIZE CAGE CODE DRAWING NO RESTRICTED TO

A3 00779 C-936292

SCALE 2/1 SHEET 1 OF 1 REV A