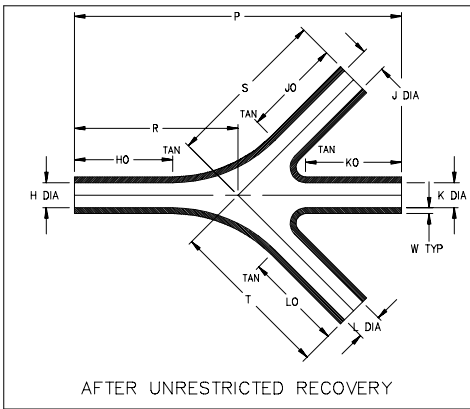
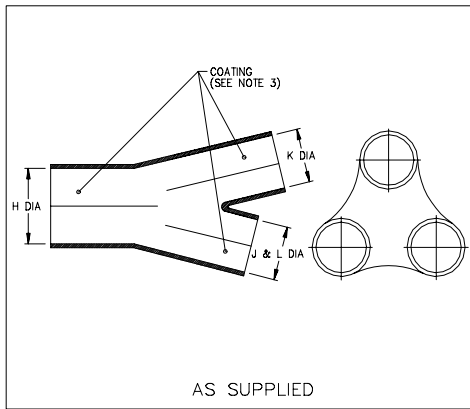


Thermofit[®] Molded Parts
 Specification Control Drawing
 Limited Distribution

Part Number : 462A42X-X-01
 Description : Slimline Transition, 4 Entry

NOTES

- All dimensions are in $\frac{\text{inches}}{\text{millimeters}}$
- Dimensions appearing in table are as follows:
 - a - As Supplied
 - b - After Unrestricted Recovery
- Coating is optional. As supplied dimensions appearing in table are for uncoated parts. When coating is added, entry diameters will be reduced by .06 max.



PART NUMBER	H		J,K & L		HO,JO,KO & LO ±15% b	W Nom b	P Nom b	R,S & T Nom b
	Min	Max	Min	Max				
	a	b	a	b				
462A423-X-01	$\frac{2.37}{[60,2]}$	$\frac{.79}{[20,1]}$	$\frac{1.42}{[36,1]}$	$\frac{.79}{[20,1]}$	$\frac{1.09}{[27,6]}$	$\frac{.06}{[1,5]}$	$\frac{5.34}{[135,6]}$	$\frac{2.67}{[67,8]}$
462A424-X-01	$\frac{3.93}{[99,8]}$	$\frac{1.31}{[33,3]}$	$\frac{2.16}{[54,9]}$	$\frac{1.31}{[33,3]}$	$\frac{1.78}{[45,2]}$	$\frac{.07}{[1,8]}$	$\frac{8.16}{[207,2]}$	$\frac{4.08}{[103,8]}$

**If this document is printed it becomes uncontrolled.
 Check for the latest revision.**

Raychem
 RAYCHEM CORPORATION
 300 CONSTITUTION DRIVE
 MENLO PARK, CALIFORNIA 94025

Revision : K
 Date : 6/9/99

Part Number : 462A42X-X-01
 Description : Slimline Transition, 4 Entry

Thermofit[®] Molded Parts
 Specification Control Drawing
 Limited Distribution

Part Number : 462A42X-X-01
 Description : Slimline Transition, 4 Entry

MATERIAL DASH NO.	MATERIAL DESCRIPTION	RT SPEC	COATING SLASH NO.	COATING S NO.	COATING DESCRIPTION
-50	Flexible, VPB	RT-1313			
-51	Flexible, EPB	RT-1321	/86,/164	S-1048, S-1124	Adhesive
-71	Flexible, Polyolefin	RT-1316	/42	S-1017	Adhesive

ORDERING INFORMATION			
Base part number	462A42X	-X	-01 /XX
Material dash number (See Compatability Chart)			
Modification number (If necessary, see front of scd binder for a complete list)			
Adhesive slash number (If necessary, see Compatability Chart)			

THIS DRAWING IS SUBJECT TO CHANGE WITHOUT NOTICE; CONSULT YOUR NEAREST FIELD REPRESENTATIVE FOR CURRENT REVISION

Raychem
 RAYCHEM CORPORATION
 300 CONSTITUTION DRIVE
 MENLO PARK, CALIFORNIA 94025

Revision : K
 Date : 6/9/99

Part Number : 462A42X-X-01
 Description : Slimline Transition, 4 Entry