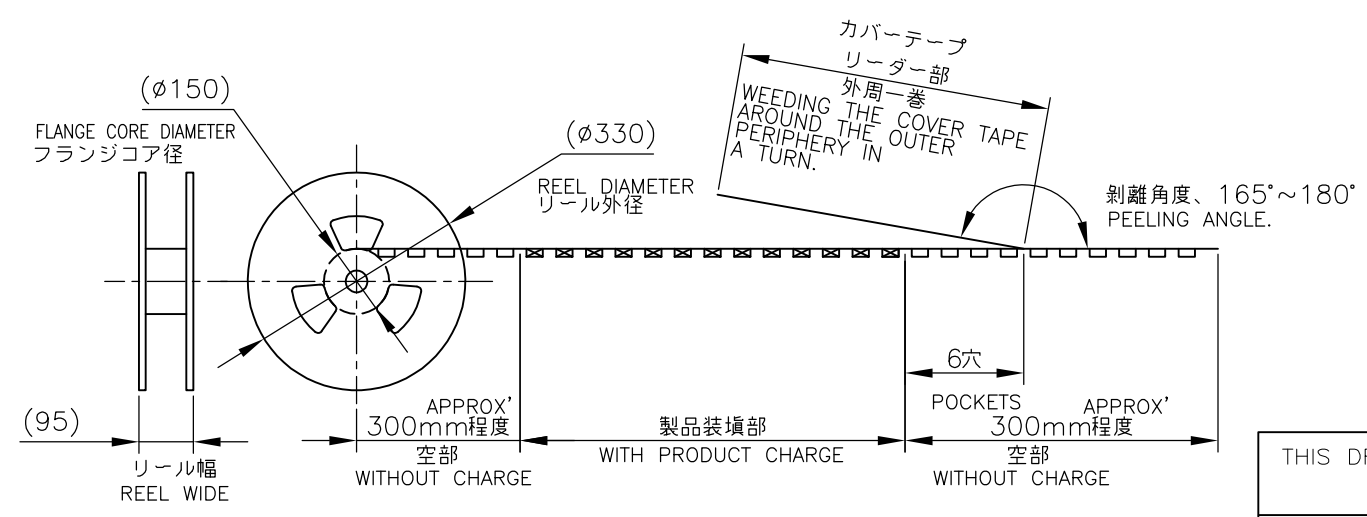
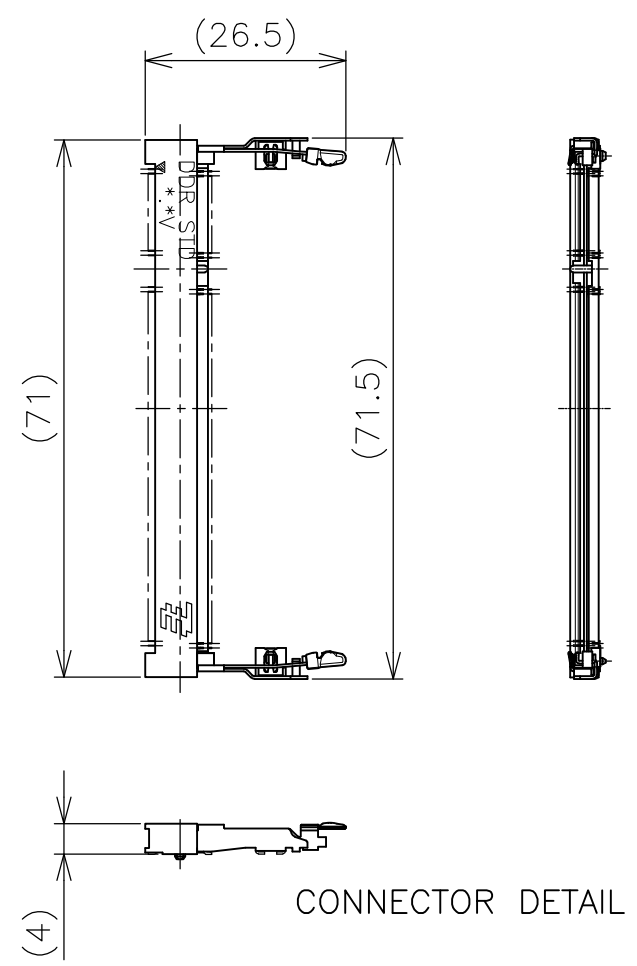
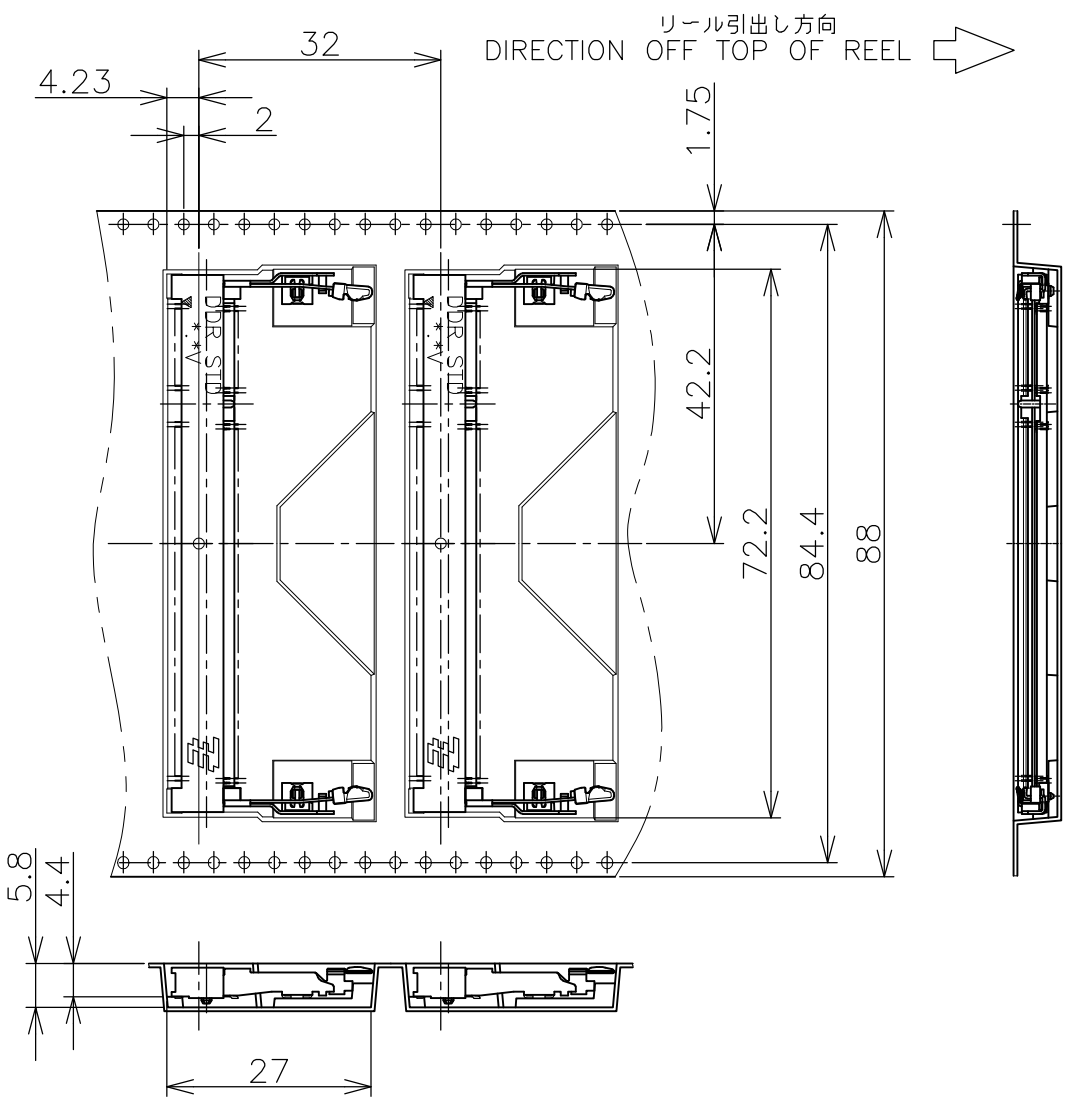


THIS DRAWING IS UNPUBLISHED. RELEASED FOR PUBLICATION JUN ,2002.
 © COPYRIGHT 2002 BY TYCO ELECTRONICS CORPORATION. ALL RIGHTS RESERVED.

LOC	DIST	REVISIONS					
J	/	P	LTR	DESCRIPTION	DATE	DWN	APVD
		C1	ECR-10-014669		13JUL10	B.W	S.Y



鉛フリー
LEAD FREE

1.8V (DDR2)	200EA/REEL	1565618-4	1612559-4
2.5V (DDR1)	200EA/REEL	1565618-1	1612559-1
POWER SUPPLY (TYPE)	QTY	CONNECTOR P/N	P/N

THIS DRAWING IS A CONTROLLED DOCUMENT.

DIMENSIONS: 単位: 耗 MM	TOLERANCES UNLESS OTHERWISE SPECIFIED: 一般公差	DWN B.WONG 14JUL10	Tyco Electronics AMP K.K. Kawasaki, Japan
		CHK C.WANG 14JUL10	
		APVD S.YAO 14JUL10	NAME 名称 EMBOSS ASSEMBLY DDR1 & DDR2 SODIMM SOCKET 200P LOW PROFILE STANDARD TYPE
		PRODUCT SPEC 製品規格 108-5701	SIZE A3
		APPLICATION SPEC 取付適用規格	CAGE CODE 00779
MATERIAL 材料	FINISH 仕上	WEIGHT	DRAWING NO 番号 C-1612559
CUSTOMER DRAWING			RESTRICTED TO —
		SCALE 尺度 1:1	SHEET 1 OF 1
			REV C1