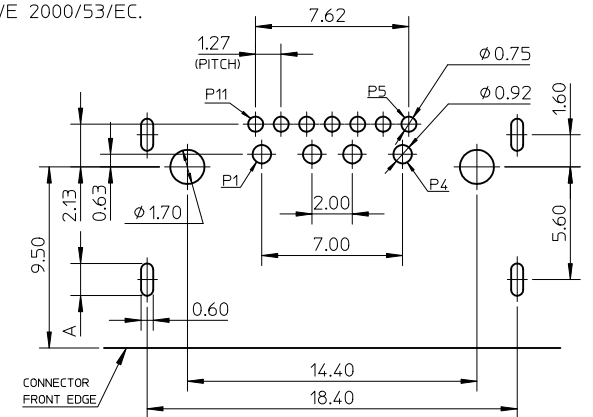
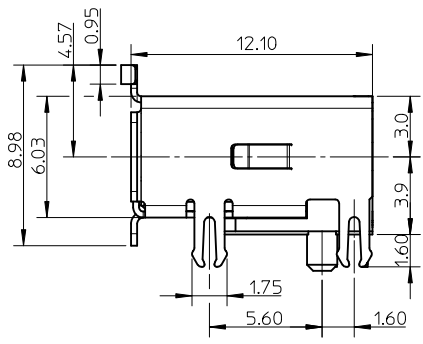
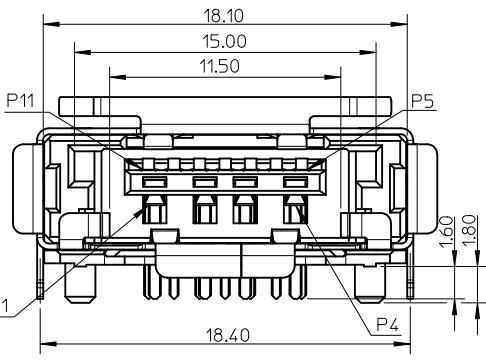
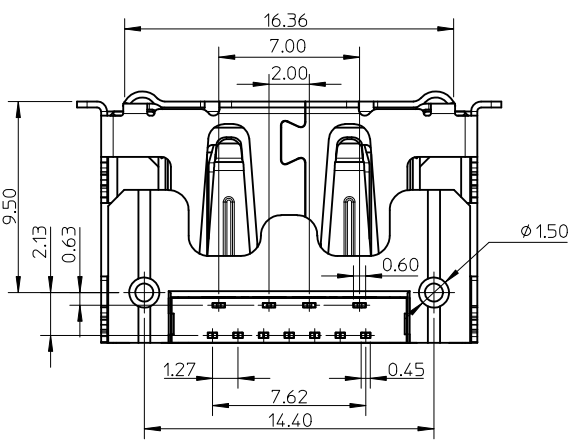


- NOTES:
- MATERIAL:
 - HOUSING: HIGH TEMPERATURE THERMOPLASTIC, 30% GLASS FILLED, BLACK, UL94V-0.
 - TAIL GUIDER: HIGH TEMPERATURE THERMOPLASTIC, 30% GLASS FILLED, BLACK, UL94V-0.
 - TERMINAL-1: COPPER ALLOY.
 - TERMINAL-2: COPPER ALLOY.
 - METAL SHELL: STAINLESS STEEL.
 - TERMINAL PLATING:
 - CONTACT AREA: GOLD PLATING. DETAIL SEE TABLE,
 - SOLDER AREA: 2.0 MICROMETRE MINIMUM MATTE TIN PLATING,
 - UNDER PLATING: 1.27 MICROMETRE MINIMUM NICKEL PLATING.
 - METAL SHELL PLATING: SOLDERABLE NICKEL PLATING.
 - DATE CODE: YYMMDD, 'YY' REPRESENTS YEAR, 'MM' REPRESENTS MONTH, 'DD' REPRESENTS DATE.
 - PRODUCT SPECIFICATION: PS-47403-001.
 - PACKAGE SPECIFICATION: PK-105125-001.
 - PRODUCT COMPLIANT TO RoHS DIRECTIVE 2002/95/EC AND ELV DIRECTIVE 2000/53/EC.



RECOMMEND PCB LAYOUT, T=1.2mm
PCB TOLERANCE: ±0.05

DIMENSION-A	BOARDLOCK FUNCTION
1.6	AVAILABLE
1.9	UNAVAILABLE



PIN ASSIGNMENT

USB		ESATA	
NAME	TYPE	NAME	TYPE
P1	VBUS	P5	GND
P2	D-	P6	A+
P3	D+	P7	A-
P4	GND	P8	GND
		P9	B-
		P10	B+
		P11	GND

105125-1002	0.76 MICROMETRE MIN. GOLD PLATING
105125-1001	0.38 MICROMETRE MIN. GOLD PLATING
105125-1000	GOLD FLASH
P/N	CONTACT AREA PLATING

<p>NEW RELEASE EC NO: SH2010-0450 DRW: XQZHANG CHKD: GLLI APP: XJ.SONG</p>	<p>2010/05/31 2010/06/04 2010/06/29</p>	<p>DESCRIPTION</p>	QUALITY SYMBOLS	GENERAL TOLERANCES (UNLESS SPECIFIED)	DIMENSION STYLE	SCALE	DESIGN UNITS	THIRD ANGLE PROJECTION															
			<p>▽_A=0 ▽_C=0 ▽_P=0</p>	<table border="1"> <thead> <tr> <th></th> <th>mm</th> <th>INCH</th> </tr> </thead> <tbody> <tr> <td>4 PLACES</td> <td>± ---</td> <td>± ---</td> </tr> <tr> <td>3 PLACES</td> <td>± ---</td> <td>± ---</td> </tr> <tr> <td>2 PLACES</td> <td>± 0.25</td> <td>± ---</td> </tr> <tr> <td>1 PLACE</td> <td>± 0.25</td> <td>± ---</td> </tr> </tbody> </table>		mm	INCH	4 PLACES	± ---	± ---	3 PLACES	± ---	± ---	2 PLACES	± 0.25	± ---	1 PLACE	± 0.25	± ---	MM ONLY	4:1	METRIC	
				mm	INCH																		
			4 PLACES	± ---	± ---																		
3 PLACES	± ---	± ---																					
2 PLACES	± 0.25	± ---																					
1 PLACE	± 0.25	± ---																					
	ANGULAR ± 3°	DRAWN BY: XQZHANG DATE: 2009/08/05	TITLE: COMBO ESATA AND USB CONNECTOR TOP MOUNT TYPE																				
	DRAFT WHERE APPLICABLE MUST REMAIN WITHIN DIMENSIONS	CHECKED BY: XJ.SONG DATE: 2009/08/05	APPROVED BY: XJ.SONG DATE: 2009/08/05																				
		MATERIAL NO.	SEE TABLE	MATERIAL NO.	DOCUMENT NO.	MOLEX INCORPORATED		SHEET NO. 1 OF 1															