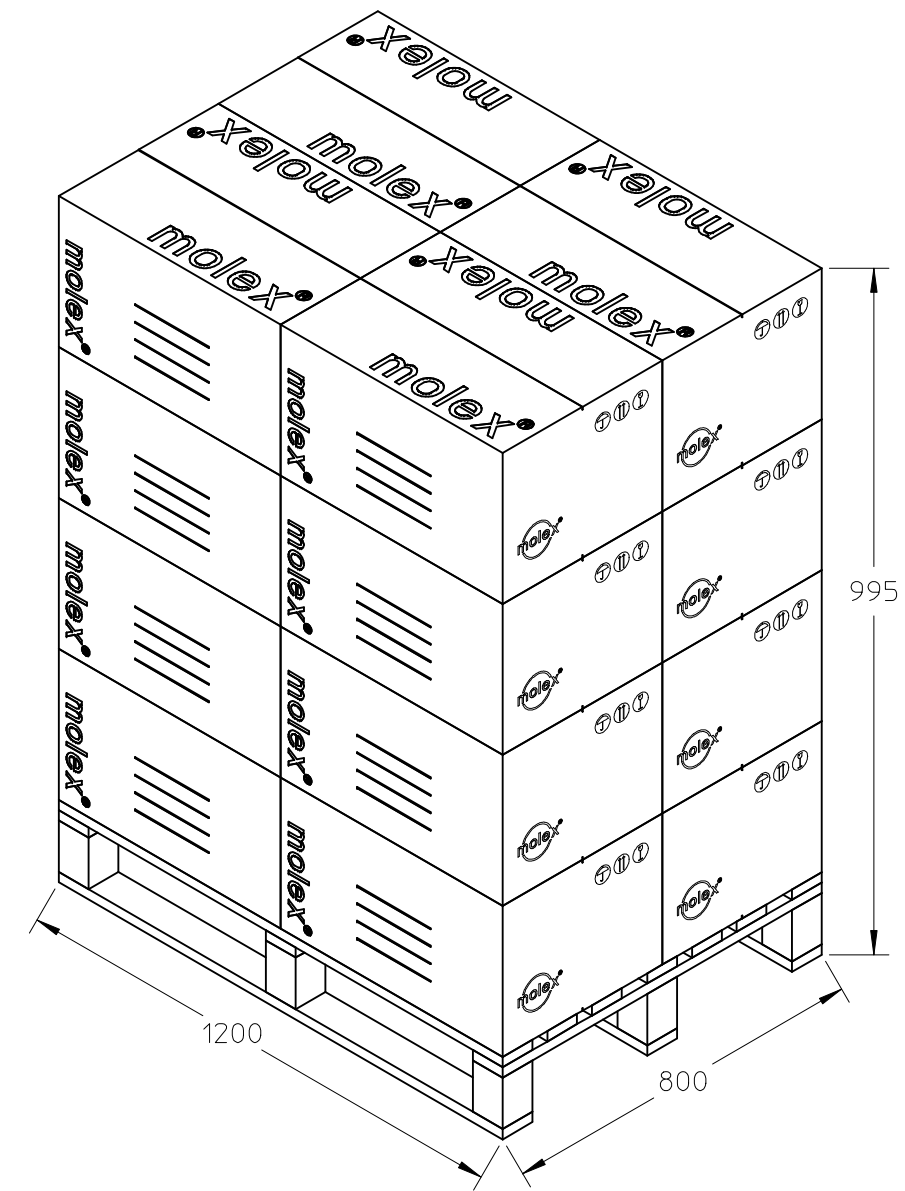
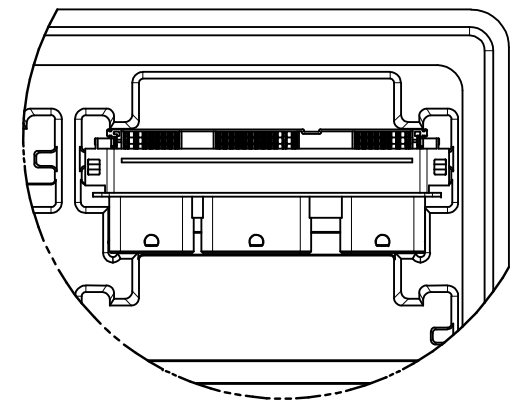
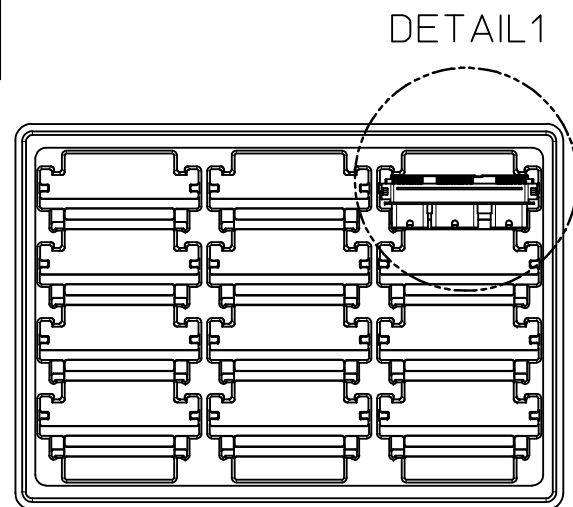
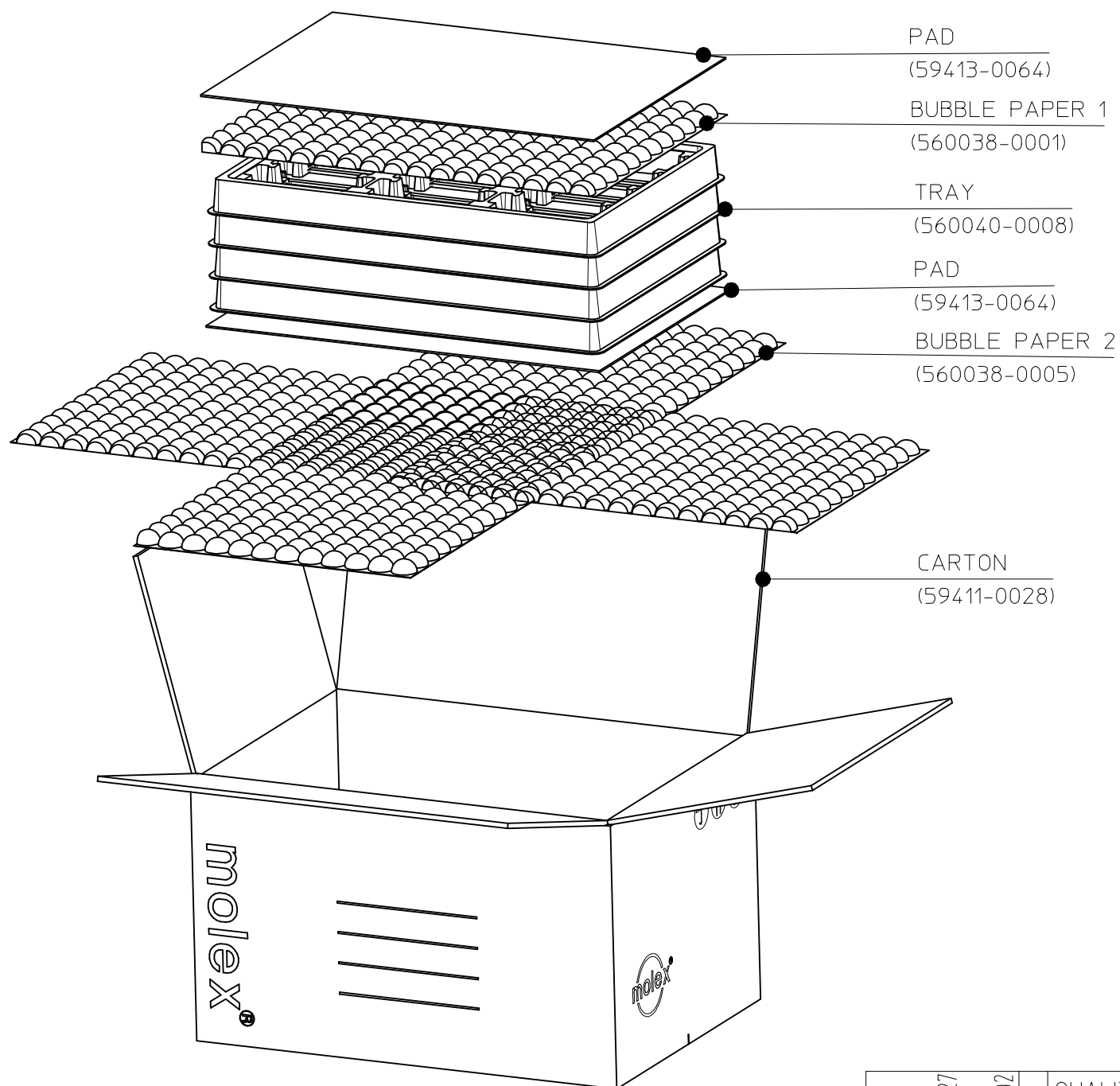


PART #	QTY/ TRAY	QTY/ CARTON	PADS/ CARTON	BUBBLE PAPER 1/ CARTON	BUBBLE PAPER 2/ CARTON	TRAYS/ CARTON	CARTONS/ PALLET	MOQ
643330100	12	48	2	1	2	4	16	768



- NOTES:
- FOLD AND TAPE THE BOTTOM FLAPS OF THE CARTON
 - PACK THE PARTS IN TRAY AS SHOWN
 - THE TRAY IS OVERLAPPED IN THE SAME DIRECTION, BUBBLE PAPERS ARE PUT AS SHOWN
 - SEAL WITH TAPE, LET THE BUBBLE PAPER FASTEN WITH TRAYS.
 - FOLD AND TAPE THE TOP FLAPS OF THE CARTON
 - LABLES ON OUTER SURFACE OF EACH CARTON, MUST BE VISIBLE ON PALLET, SHIPPING LABEL AND PRODUCTION LABEL ON SAME SURFACE
 - ADD CORNER PROTECTORS AND STRETCH WRAP FIXED THE CARTON TO THE PALLET.

REVISED EC NO: GCA2011-0111 DRWN:BYANG05 2011/06/27 CHKD: APPR:PBORG 2011/09/02	DESCRIPTION REV	QUALITY SYMBOLS	GENERAL TOLERANCES (UNLESS SPECIFIED)		DIMENSION STYLE MM ONLY		SCALE 1:7	DESIGN UNITS METRIC	THIRD ANGLE PROJECTION																							
		$\nabla_A = 0$ $\nabla_E = 0$ $\nabla_P = 0$	<table border="1"> <tr> <td></td> <td>mm</td> <td>INCH</td> </tr> <tr> <td>4 PLACES</td> <td>± ---</td> <td>± ---</td> </tr> <tr> <td>3 PLACES</td> <td>± ---</td> <td>± ---</td> </tr> <tr> <td>2 PLACES</td> <td>± ---</td> <td>± ---</td> </tr> <tr> <td>1 PLACE</td> <td>± ---</td> <td>± ---</td> </tr> </table>		mm	INCH	4 PLACES	± ---	± ---	3 PLACES	± ---	± ---	2 PLACES	± ---	± ---	1 PLACE	± ---	± ---	<table border="1"> <tr> <td>DRAWN BY</td> <td>DATE</td> </tr> <tr> <td>BYANG05</td> <td>2010/11/09</td> </tr> <tr> <td>CHECKED BY</td> <td>DATE</td> </tr> <tr> <td></td> <td></td> </tr> </table>	DRAWN BY	DATE	BYANG05	2010/11/09	CHECKED BY	DATE			TITLE		PACKAGING SPEC. FOR GENERAL CMC 112W HEADER		
			mm	INCH																												
		4 PLACES	± ---	± ---																												
3 PLACES	± ---	± ---																														
2 PLACES	± ---	± ---																														
1 PLACE	± ---	± ---																														
DRAWN BY	DATE																															
BYANG05	2010/11/09																															
CHECKED BY	DATE																															
DRAFT WHERE APPLICABLE MUST REMAIN WITHIN DIMENSIONS		APPROVED BY PBORG	DATE 2010/11/22	MATERIAL NO. SEE TABLE		DOCUMENT NO. PK-64333-001	SHEET NO. 1 OF 1																									
THIS DRAWING CONTAINS INFORMATION THAT IS PROPRIETARY TO MOLEX INCORPORATED AND SHOULD NOT BE USED WITHOUT WRITTEN PERMISSION																																