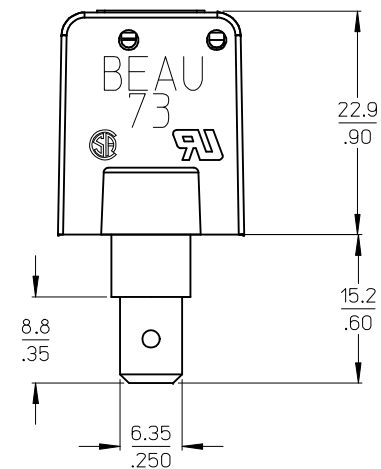
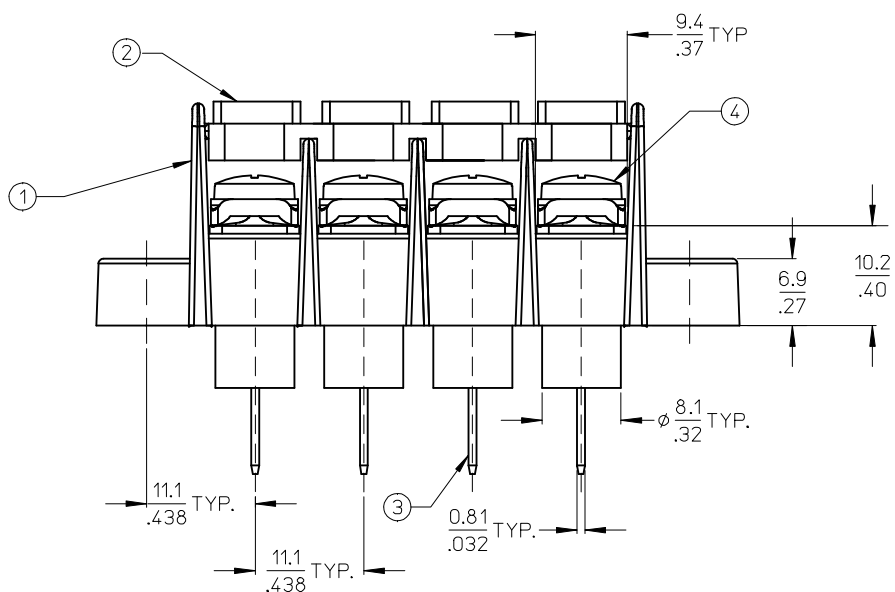


AUX. VIEW  
SCALE 1:1



NOTES:

- 1. MATERIAL: SEE TABLE
- 2. ROHS COMPLAINT.

ITEM	QTY	DESCRIPTION	MATERIAL	FINISH
4	4	SCREW & WASHER, #8-32, PAN HEAD (-50 OPT)	STEEL	ZN, CLEAR CHROMATE
3	4	TERMINAL, FT, 8-32, SN/B	BRASS	TIN PLATE
2	1	COVER, HINGED, MO	POLYESTER (PBT)	BLACK
1	1	BARRIER	POLYESTER (PBT)	BLACK

INITIAL RELEASE  
 EC NO: IPG2014-1260  
 DRAWN: JENCINAS 2013/08/27  
 CHKD: JMACNEIL 2014/01/31  
 APPR: JMACNEIL 2014/03/10

QUALITY SYMBOLS  
 ▼=0  
 ▽=0

	GENERAL TOLERANCES (UNLESS SPECIFIED)	
	mm	INCH
4 PLACES	± ---	± ---
3 PLACES	± ---	± .005
2 PLACES	± 0.13	± .01
1 PLACE	± 0.3	± ---
ANGULAR ± 2 °		

DRAFT WHERE APPLICABLE  
 MUST REMAIN WITHIN DIMENSIONS

DIMENSION STYLE  
**MM/IN**

DRAWN BY: JENCINAS  
 DATE: 2013/08/27

CHECKED BY: JMACNEIL  
 DATE: 2014/01/31

APPROVED BY: JMACNEIL  
 DATE: 2014/03/10

MATERIAL NO.  
**387390615**

SIZE  
**B**

SCALE  
**2:1**

DESIGN UNITS  
**INCH**

THIRD ANGLE PROJECTION

TITLE  
**11.11/.438" SR BTS,  
 MO MTG, FAST TAB  
 HINGED COVER, #8-32 SCREW**

**MOLEX INCORPORATED**

DOCUMENT NO.  
**SD-38739-025**

SHEET NO.  
**1 OF 1**

THIS DRAWING CONTAINS INFORMATION THAT IS PROPRIETARY TO MOLEX INCORPORATED AND SHOULD NOT BE USED WITHOUT WRITTEN PERMISSION