

Molded Parts Customer Drawing

Part Number : 202D253-XX-74

ECO NO.: ECO-07-012331

NOTES

- All dimensions are in $\frac{\text{inches}}{\text{[millimeters]}}$
- Dimensions appearing in table are as follows:
 - a - As Supplied
 - b - After Unrestricted Recovery
- Coating is optional. As supplied dimensions appearing in table are for uncoated parts. When coating is added, entry diameters will be reduced by .06 max.

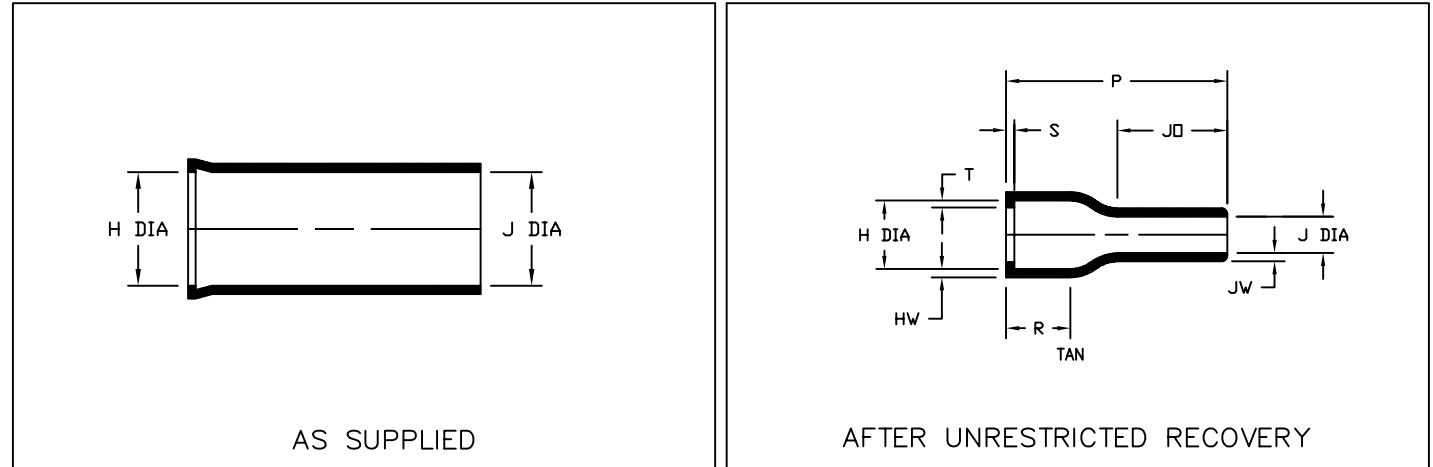


TABLE OF DIMENSIONS											
PART NUMBER	H		J		P	JO	R	S	T	HW	JW
	Min	Max	Min	Max	±10%	±10%	Ref	Ref	Ref	±20%	±20%
	a	b	a	b	b	b	b	b	b	b	b
202D253-XX-74	$\frac{1.47}{[37,3]}$	$\frac{1.16}{[29,5]}$	$\frac{1.47}{[37,3]}$	$\frac{.41}{[10,4]}$	$\frac{2.24}{[56,9]}$	$\frac{1.00}{[25,4]}$	$\frac{.55}{[14,0]}$	$\frac{.12}{[3,0]}$	$\frac{.065}{[1,65]}$	$\frac{.08}{[2,0]}$	$\frac{.045}{[1,14]}$

If this document is printed it becomes uncontrolled. Check for the latest revision



TYCO ELECTRONICS
300 CONSTITUTION DRIVE
MENLO PARK, CALIFORNIA 94025

© 2007 Tyco Electronics Corporation. All rights reserved

Revision : A

Date : 5/24/07

Page 1 of 2

Part Number : 202D253-XX-74

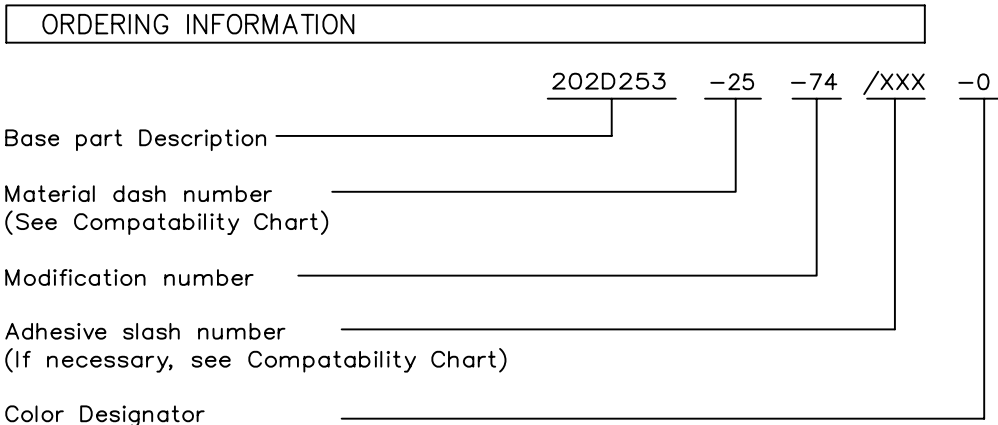
Description : Boot, Straight With Lip

Molded Parts Customer Drawing

Drawing Number : 202D253-XX-74

Description : Boot, Straight, With Lip

COMPATABILITY CHART					
MATERIAL DASH NO.	MATERIAL DESCRIPTION	RT SPEC	COATING SLASH NO.	COATING S NO.	COATING DESCRIPTION
-25	Elastomer, Fluid Resistant	RT-1325	N/A		



THIS DRAWING IS SUBJECT TO CHANGE WITHOUT NOTICE; CONSULT YOUR
NEAREST FIELD REPRESENTATIVE FOR CURRENT REVISION

If this document is printed it becomes uncontrolled. Check for the latest revision



TYCO ELECTRONICS
300 CONSTITUTION DRIVE
MENLO PARK, CALIFORNIA 94025

© 2007 Tyco Electronics Corporation. All rights reserved

Revision : A

Date : 5/24/07

Page 2 of 2

Drawing Number : 202D253-XX-74

Description : Boot, Straight, With Lip