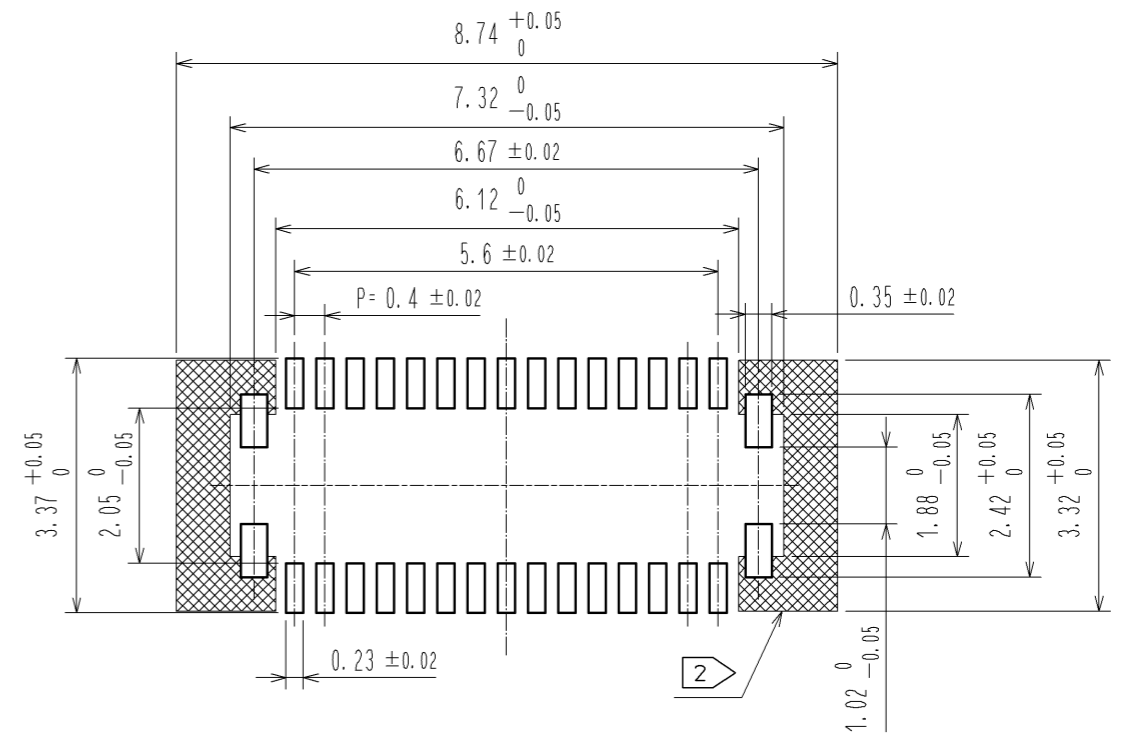
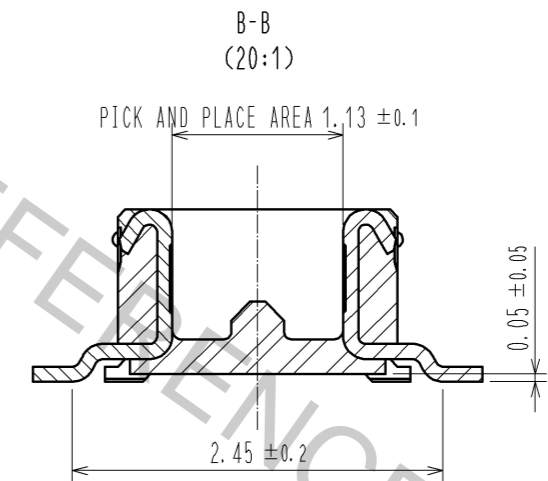


RECOMMENDED PATTERN(FREE)



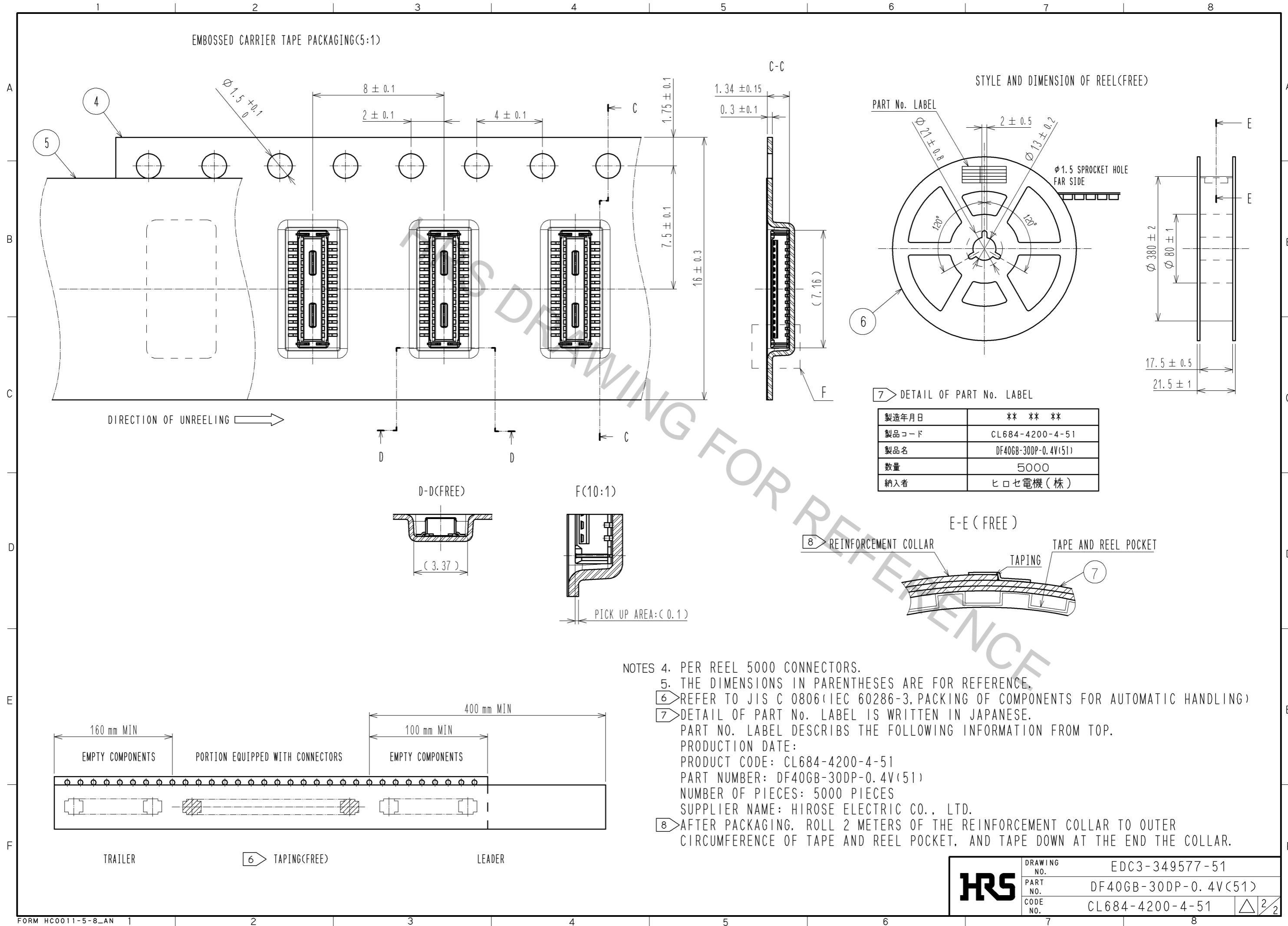
RECOMMENDED METAL MASK THICKNESS: 120 μm  
 RECOMMENDED MASK OPENING RATIO: 80% FOR LEAD PAD



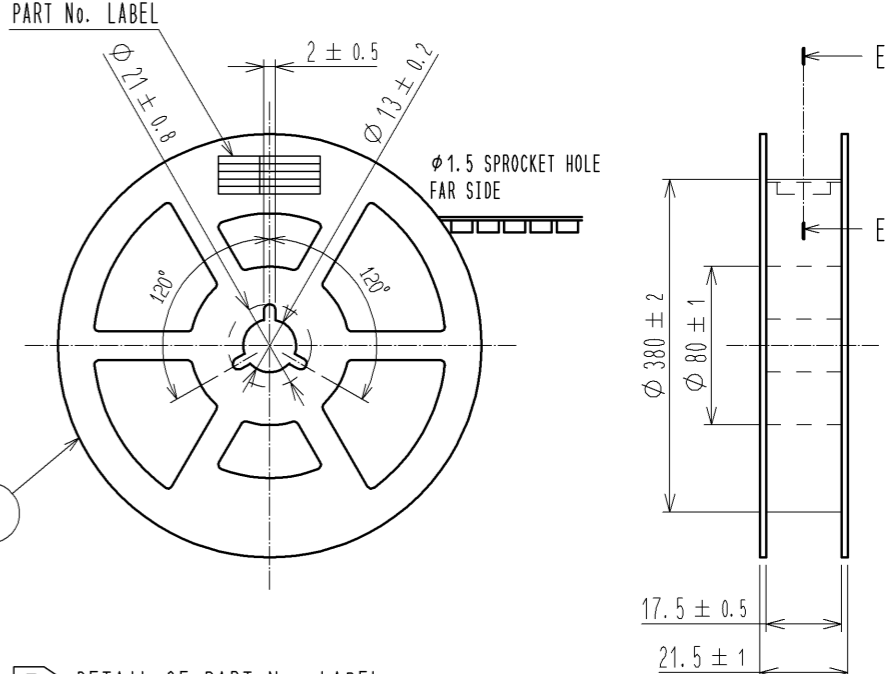
- NOTES
1. ALL LEADS METAL FITTINGS CO-PLANARITY SHALL BE 0.1mm MAX.
  2. IS NON-CONDUCTIVE AREA.
  3. HRS MARK AND CAV NO. IS INDICATED IN APPROXIMAL POSITION SHOWN. THE INDICATION COULD BE ON THE UPPER SURFACE OF DESIGN ON THE CONNECTOR.

2	PHOSPHOR BRONZE	CONTACT AREA: GOLD 0.05 μm MIN	7	PS	CLEAR(REINFORCEMENT COLLAR)
		SMT LEAD: GOLD 0.05 μm MIN	6	PS	BLACK(PLASTIC REEL)
		UNDERPLATING: NICKEL 1 μm MIN	5	POLYESTER	CLEAR(COVER TAPE)
1	LCP	BLACK, UL94V-0	4	PS	CLEAR(EMBOSSED CARRIER TAPE)
			3	PHOSPHOR BRONZE	CONTACT AREA: GOLD 0.05 μm MIN
					SMT LEAD: GOLD 0.05 μm MIN
					UNDERPLATING: NICKEL 1 μm MIN
NO.	MATERIAL	FINISH . REMARKS	NO.	MATERIAL	FINISH . REMARKS
UNITS		SCALE	COUNT	DESCRIPTION OF REVISIONS	
mm		10 : 1		DESIGNED	CHECKED
<b>HRS</b> HIROSE ELECTRIC CO., LTD.		APPROVED : KH. IKEDA	13.02.08	DRAWING NO. EDC3-349577-51	
		CHECED : TS. MIYAZAKI	13.02.08	PART NO. DF40GB-30DP-0.4V(51)	
		DESIGNED : TY. YAMASAKI	13.02.08	CODE NO. CL684-4200-4-51	
		DRAWN : YN. SAKAMOTO	13.02.08	1/2	

EMBOSSED CARRIER TAPE PACKAGING(5:1)

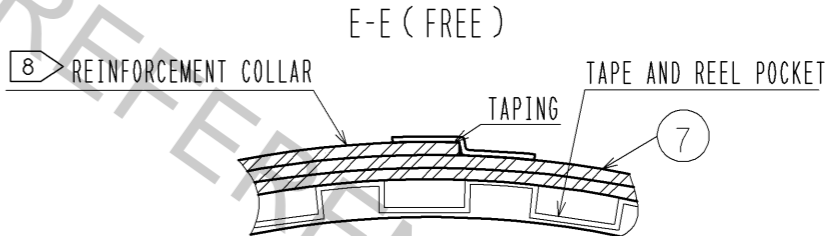


STYLE AND DIMENSION OF REEL(FREE)

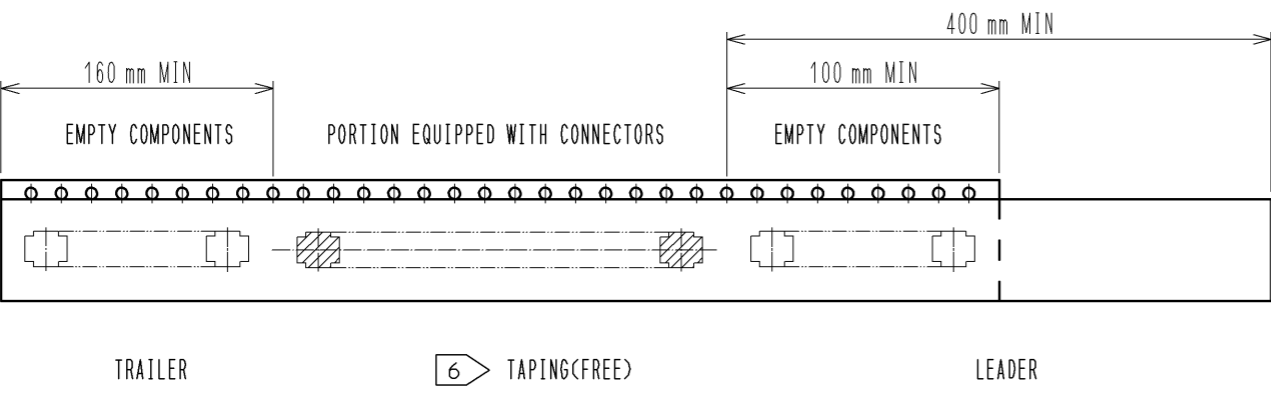


7) DETAIL OF PART No. LABEL

製造年月日	** ** *
製品コード	CL684-4200-4-51
製品名	DF40GB-30DP-0.4V(51)
数量	5000
納入者	ヒロセ電機(株)



- NOTES
- PER REEL 5000 CONNECTORS.
  - THE DIMENSIONS IN PARENTHESES ARE FOR REFERENCE.
  - REFER TO JIS C 0806(IEC 60286-3, PACKING OF COMPONENTS FOR AUTOMATIC HANDLING)
  - DETAIL OF PART No. LABEL IS WRITTEN IN JAPANESE. PART No. LABEL DESCRIBES THE FOLLOWING INFORMATION FROM TOP.  
 PRODUCTION DATE:  
 PRODUCT CODE: CL684-4200-4-51  
 PART NUMBER: DF40GB-30DP-0.4V(51)  
 NUMBER OF PIECES: 5000 PIECES  
 SUPPLIER NAME: HIROSE ELECTRIC CO., LTD.
  - AFTER PACKAGING, ROLL 2 METERS OF THE REINFORCEMENT COLLAR TO OUTER CIRCUMFERENCE OF TAPE AND REEL POCKET, AND TAPE DOWN AT THE END THE COLLAR.



<b>HRS</b>	DRAWING NO.	EDC3-349577-51
	PART NO.	DF40GB-30DP-0.4V(51)
	CODE NO.	CL684-4200-4-51
		$\triangle$ 2/2