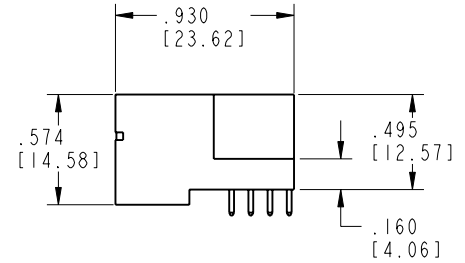
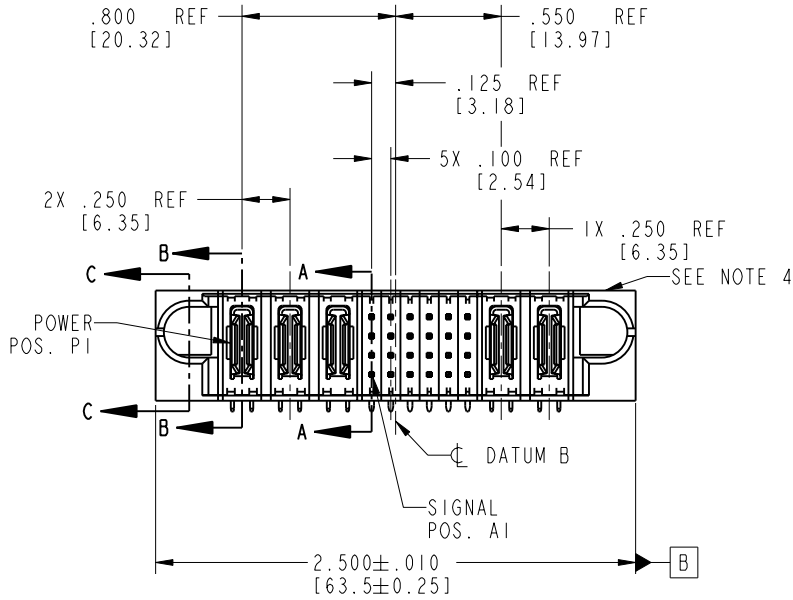
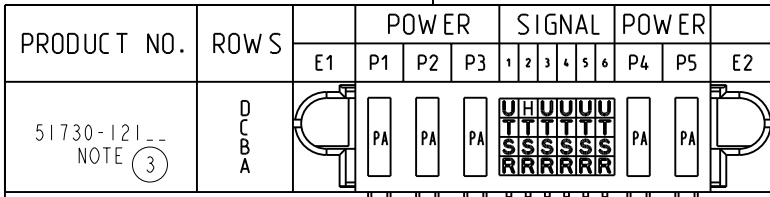


Tous droits strictement réservés. Reproduction ou communication o des liens interdite
 sous quelque forme que ce soit sans autorisation écrite du propriétaire.
 Propriété de c FCI. Droits de reproduction FCI.

All rights strictly reserved. Reproduction or issue to third parties in any
 form whenever is not permitted without written authority from the proprietor.
 Property of FCI. Copyright FCI.

FCI



CODE	DIM "M" MATING LENGTH	CONTACT TYPE
U	.270 [6.86]	SIGNAL
T	.270 [6.86]	SIGNAL
S	.270 [6.86]	SIGNAL
R	.270 [6.86]	SIGNAL
PA	N/A [N/A]	POWER
H	.220 [5.59]	SIGNAL

mat'l code SEE NOTE 2				tolerances unless otherwise specified		CUSTOMER		 www.fciconnect.com	
lfr	ecn no.	dr	date	linear	.XX±.01/0.XX±0.3	COPY			
A	DG06-0023	SW	01/17/05	angles	.XXX±.005/0.XX±0.13	projection			
					.XXX±.0020/0.XXX±0.051				
				dr	STEVEN WANG 01/17/05	INCH/MM			
				engr	STEVEN WANG 01/17/05	scale			
				chr	BEER FU 01/17/05	1:1			
				appd	JOSEPH HSIA 01/17/05				
sheet index	revision sheet	A A	A A	A A	A A				
		1 2	3 4						

cage code 22526

Pro/E

PDM: Rev:A

STATUS: Released

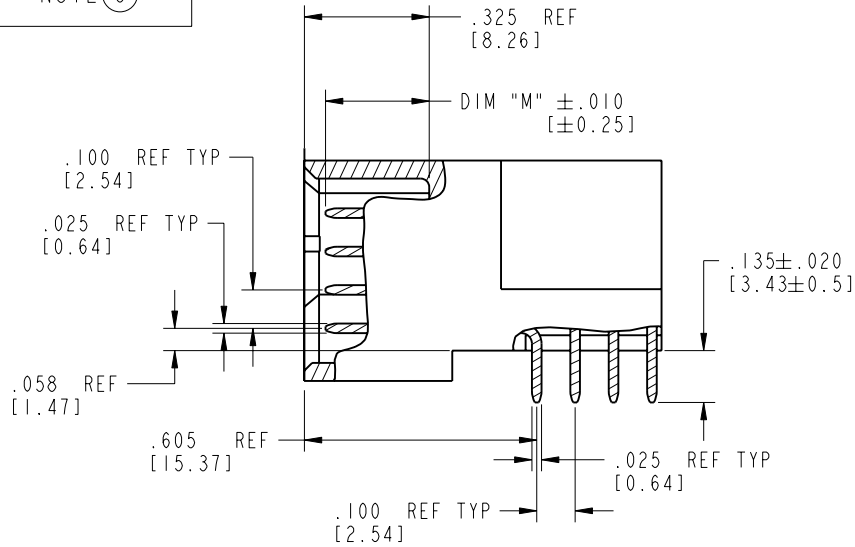
Printed: Dec 20, 2010

Tous droits strictement réservés. Reproduction ou communication o des liens interdite sous quelque forme que ce soit sans autorisation écrite du propriétaire. Propriété de c FCI. Droits de reproduction FCI.

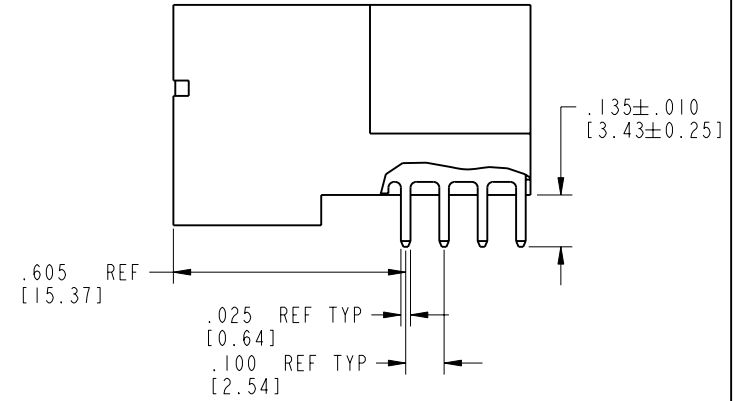
All rights strictly reserved. Reproduction or issue to third parties in any form, whatever is not permitted without written authority from the proprietor. Property of FCI. Copyright FCI.

PRODUCT NUMBER

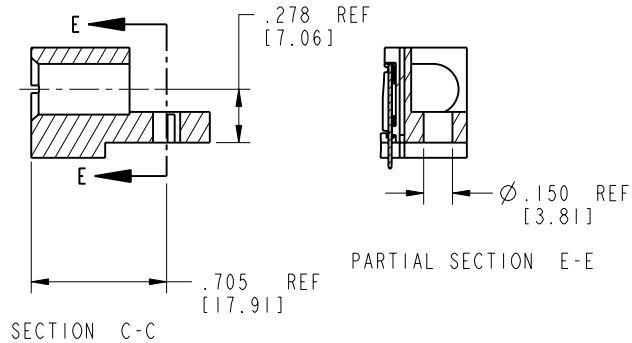
51730-121
NOTE ③



BROKEN-OUT SECTION A-A
SCALE 2:1



BROKEN-OUT SECTION B-B
SCALE 2:1



SECTION C-C

PARTIAL SECTION E-E

mat'l code				SEE NOTE 2		tolerances unless otherwise specified		CUSTOMER		 www.fciconnect.com		
lfr	ecn no.	dr	date	linear	.XX±.01/0.X±0.3		COPY		 title 3P + 24S + 2P RIGHT ANGLE SOLDER HEADER			
A					.XXX±.005/0.XX±0.13		INCH/MM		product family PwrBlade code 213			
					angles	.XXX±.0020/0.XXX±0.051		scale 1:1		size dwg no A 51730-121		
						0° ± 2°				sheet 2 of 4		
						dr	STEVEN WANG	01/17/05				
				enr	STEVEN WANG	01/17/05						
				chr	BEER FU	01/17/05						
				appd	JOSEPH HSIA	01/17/05						
sheet index		revision sheet										

cage code 22526

Pro/E

PDM: Rev:A

STATUS: Released

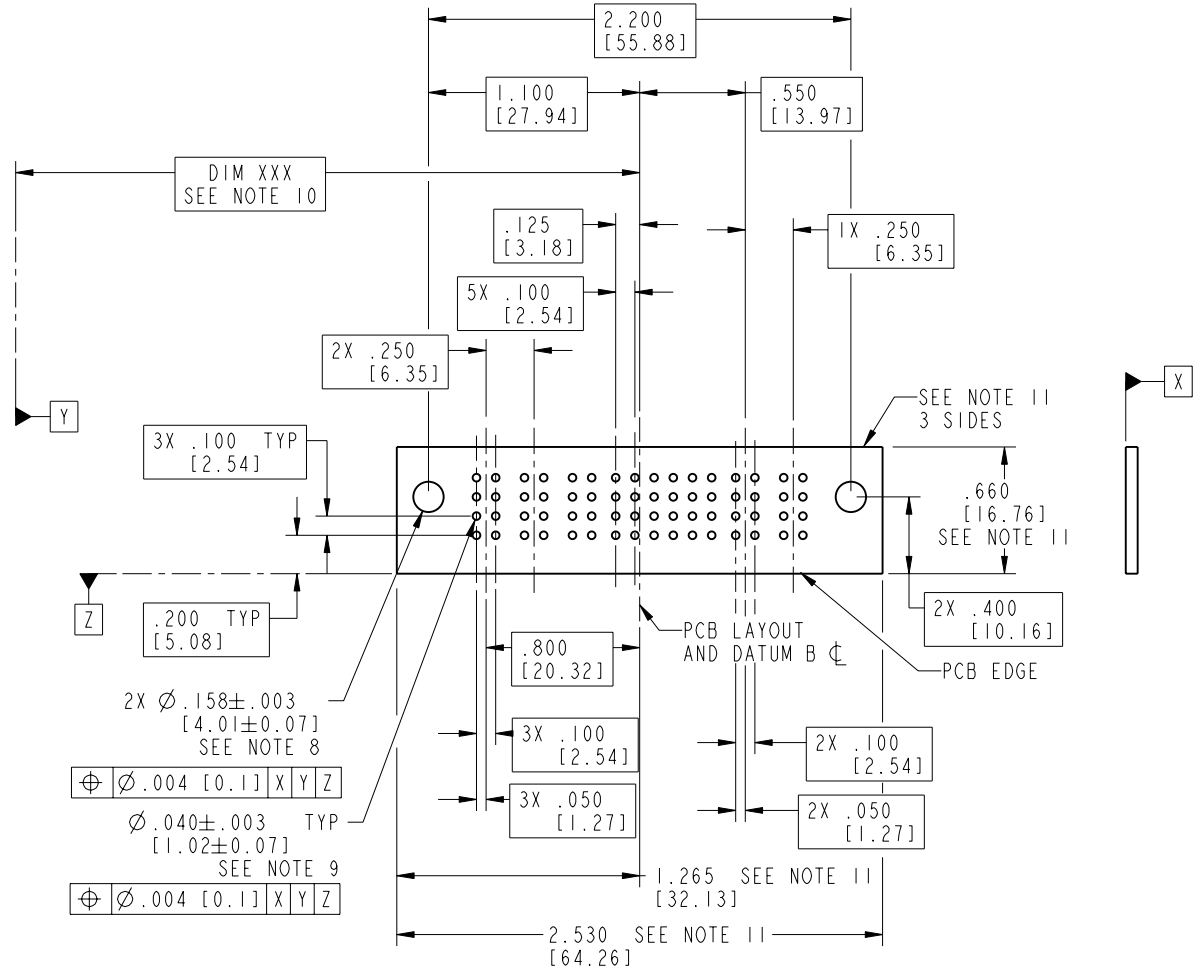
Printed: Dec 20, 2010

Tous droits strictement réservés. Reproduction ou communication o des liers interdite sous quelque forme que ce soit sans autorisation écrite du propriétaire. Propriété de c FCI. Droits de reproduction FCI.

All rights strictly reserved. Reproduction or issue to third parties in any form, whatever is not permitted without written authority from the proprietor. Property of FCI. Copyright FCI.



PRODUCT NUMBER
51730-121--
NOTE ③



RECOMMENDED PCB LAYOUT

mat'l code		SEE NOTE 2		tolerances unless otherwise specified		CUSTOMER		 www.fciconnect.com	
lfr	ecn no.	dr	date	linear	.XX±.01/0.X±0.3	projection	COPY		title
A				angles	.XXX±.005/0.XX±0.13				3P + 24S + 2P
				dr	.XXX±.0020/0.XXX±0.051	INCH/MM			RIGHT ANGLE SOLDER HEADER
				enrg	STEVEN WANG 01/17/05	scale	product family		PwrBlade
				chr	STEVEN WANG 01/17/05	1:1	size		213
				appd	BEER FU 01/17/05		dwg no		51730-121
					JOSEPH HSIA 01/17/05		sheet		3 of 4
sheet index	revision sheet								

cage code 22526

Pro/E

PDM: Rev:A

STATUS: Released

Printed: Dec 20, 2010

Tous droits strictement reserves. Reproduction ou communication o des liers interdite sous quelque forme que ce soit sans autorisation ecrite du proprietaire. Propriete de c FCI. Droits de reproduction FCI.

All rights strictly reserved. Reproduction or issue to third parties in any form, whenever is not permitted without written authority from the proprietor. Property of FCI. Copyright FCI.



PRODUCT NUMBER

51730-121__
NOTE ③

NOTES:

1. DIMENSIONS AND TOLERANCES ARE IN ACCORDANCE WITH ASME Y14.5M, 1994 UNLESS OTHERWISE SPECIFIED.

CONNECTOR NOTES:

- ② HOUSING MATERIAL: UL 94 V-0 GLASS FILLED
HIGH-TEMP THERMOPLASTIC
POWER CONTACT MATERIAL: COPPER ALLOY
SIGNAL PIN MATERIAL: COPPER ALLOY
- 3. PLATING:
51730-121,51730-121LF;51730-121GLF PLATING SPEC. WAS SHOWN IN THE PRINT OF 10064183.
- ④ MANUFACTURER'S NAME, P/N, AND DATE CODE TO APPEAR ON THIS SURFACE.
- 5. PRODUCT SPECIFICATION GS-12-149.
APPLICATION SPECIFICATION BUS-20-067.
- 6. PACKAGED IN TRAYS.

PCB NOTES:

- 7. ALL HOLE DIAMETERS ARE FINISHED HOLE SIZE.
- ⑧ MOUNTING HOLES, WHERE APPLICABLE, ARE UNPLATED.
- ⑨ $\varnothing .0453 \pm .0010$ [1.151 \pm 0.025] DRILLED HOLES PLATED WITH .0003 [0.008] MIN SnPb OVER .001 [0.03] TO .003 [0.08] Cu PLATING TO ACHIEVE $\varnothing .040 \pm .003$ [1.02 \pm .07] HOLE.
- ⑩ "DIM XXX" TO BE DETERMINED BY THE CUSTOMER.
- ⑪ CONNECTOR KEEP-OUT ZONE.

mat'l code		SEE NOTE 2		tolerances unless otherwise specified		CUSTOMER		www.fciconnect.com	
ltr	ecn no.	dr	date	linear	.XX±.01/0.X±0.3	COPY			
A				projection	.XXX±.005/0.XX±0.13			title	3P + 24S + 2P
				angles	.XXX±.0020/0.XXX±0.051			RIGHT ANGLE SOLDER HEADER	
				dr	STEVEN WANG 01/17/05	INCH/MM		product family	PwrBlade
				enrg	STEVEN WANG 01/17/05			code	213
				chr	BEER FU 01/17/05	scale		size	dwg no
				appd	JOSEPH HSIA 01/17/05	1:1		A	51730-121
sheet index	revision sheet							sheet	4 of 4

cage code 22526

Pro/E

PDM: Rev:A

STATUS: Released

Printed: Dec 20, 2010