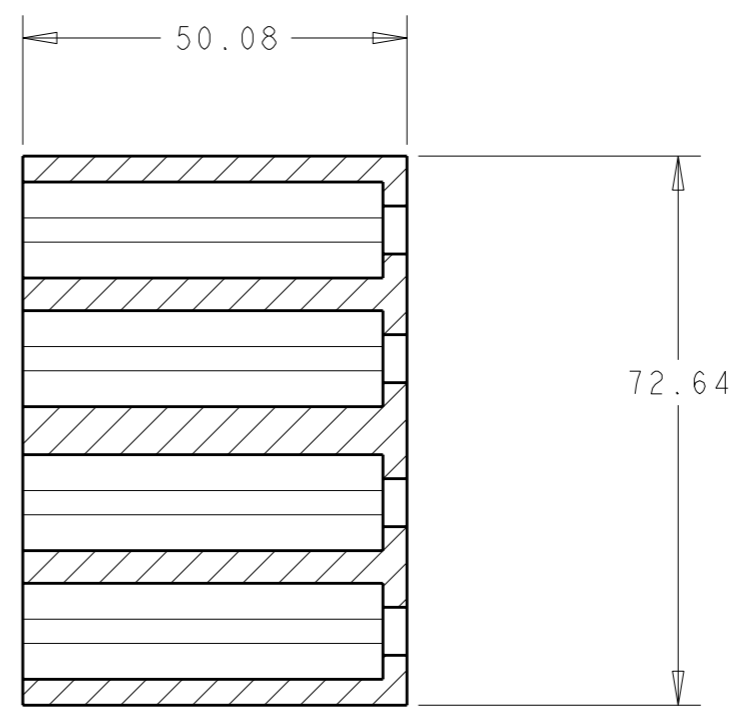
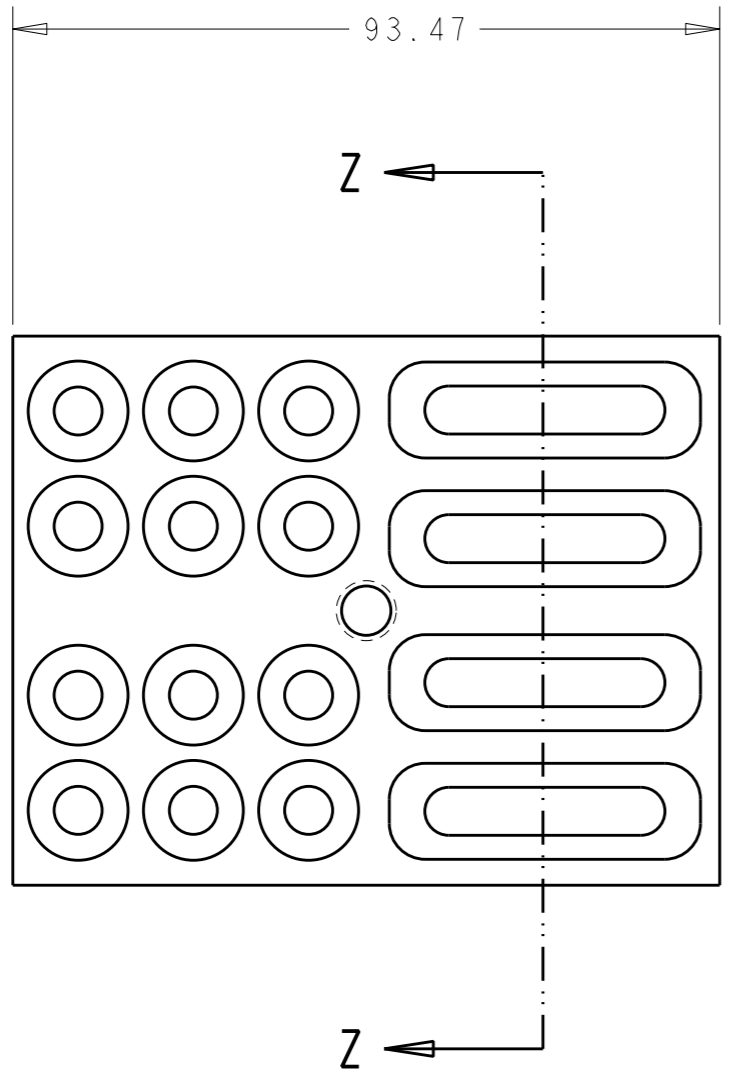


THIS DRAWING IS UNPUBLISHED. RELEASED FOR PUBLICATION 20
 © COPYRIGHT 20 BY TYCO ELECTRONICS CORPORATION. ALL RIGHTS RESERVED.

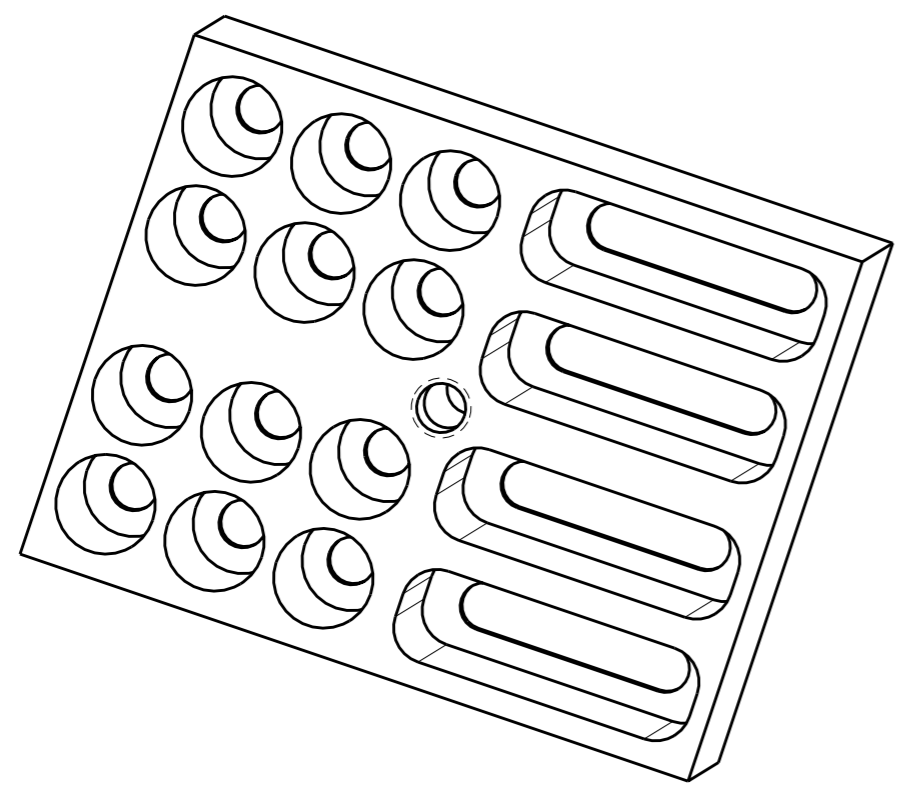
LOC	DIST	REVISIONS			
P	LTR	DESCRIPTION	DATE	DWN	APVD
CE	00				
		C REVISE PER ECR-06-015377	07JUL2006	BB	DK



SECTION Z-Z

- ① MATERIAL: ALUMINUM.
- ② FINISH: BLACK ANODIZE.

502276-1
 PART NUMBER



<small>THIS DRAWING IS A CONTROLLED DOCUMENT FOR TYCO ELECTRONICS CORPORATION IT IS SUBJECT TO CHANGE AND THE CONTROLLING ENGINEERING ORGANIZATION SHOULD BE CONTACTED FOR THE LATEST REVISION.</small>		DWN B. BRIGGS 07JUL2006 CHK D. KIRSCH 07JUL2006 APVD S. BUCHTER 07JUL2006		Tyco Electronics Harrisburg, PA 17105-3608	
DIMENSIONS: mm		TOLERANCES UNLESS OTHERWISE SPECIFIED: 0 PLC ±- 1 PLC ±- 2 PLC ±0.02 3 PLC ±- 4 PLC ±- ANGLES ±-		NAME HEATCURE BLOCK, UNIVERSAL	
		MATERIAL - ①		FINISH - ②	
MATERIAL - ①		FINISH - ②		PRODUCT SPEC - APPLICATION SPEC - WEIGHT -	
CUSTOMER DRAWING		SIZE A3 CAGE CODE 00779 DRAWING NO C-502276		RESTRICTED TO -	
SCALE		SHEET OF		REV C	