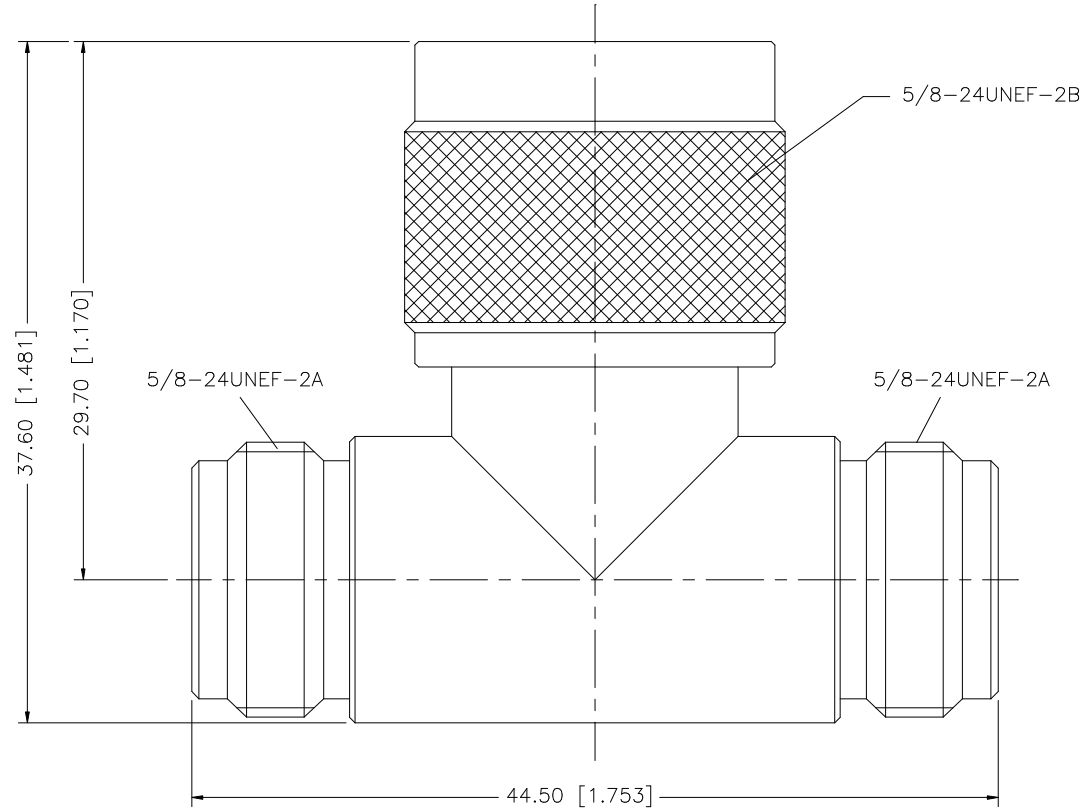


| REV. | DATE     | DESCRIPTION                    |
|------|----------|--------------------------------|
| NC   | 06/03/96 | INITIAL RELEASE                |
| A    | 10/01/06 | UPDATE DRAWING FORMAT          |
| B    | 10/19/06 | REVISE BODY PLATING TO NEXCOTE |



|   |             |          |         |     |
|---|-------------|----------|---------|-----|
| 8 |             |          |         |     |
| 7 |             |          |         |     |
| 6 |             |          |         |     |
| 5 |             |          |         |     |
| 4 |             |          |         |     |
| 3 | CONTACT PIN | BRASS    | GOLD    | 3   |
| 2 | INSULATOR   | TEFLON   | NATURAL | 1   |
| 1 | BODY        | BRASS    | NEXCOTE | 1   |
|   | DESCRIPTION | MATERIAL | FINISH  | QTY |

UNLESS OTHERWISE SPECIFIED DIMENSIONS ARE IN MILLIMETERS. DIMENSIONS IN [ ] ARE IN INCHES AND FOR CUSTOMER REFERENCE ONLY.

UNLESS OTHERWISE SPECIFIED TOLERANCES FOR MILLIMETERS ARE:  
0.5 - 8mm ± 0.20mm  
8 - 30mm ± 0.40mm  
30 - 120mm ± 0.50mm

UNLESS OTHERWISE SPECIFIED TOLERANCES FOR INCHES ARE:  
.020 - .315 = ± 0.007"  
.315 - 1.180 = ± 0.015"  
1.180 - 4.724 = ± 0.020"

DO NOT SCALE DRAWING

| APPROVALS    | DATE              |
|--------------|-------------------|
| DRAWN G.R.S. | 10/19/06          |
| CHECKED      |                   |
| ISSUED       |                   |
| SHEET 1 OF 1 |                   |
| CAD FILE     | C:/172/172125.DWG |

|   |            |       |    |
|---|------------|-------|----|
| <b>Amphenol Connex</b>                                      |            |       |    |
| PART DESCRIPTION<br><b>N "T" ADAPTER<br/>JACK-PLUG-JACK</b> |            |       |    |
| PART NO.<br><b>172125</b>                                   |            |       |    |
| DWG. NO.  | 172125.DWG | REV.  | B  |
| SIZE  | A          | SCALE | NA |