

6

5

4

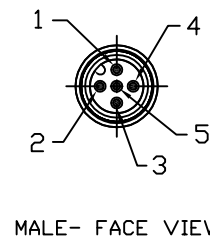
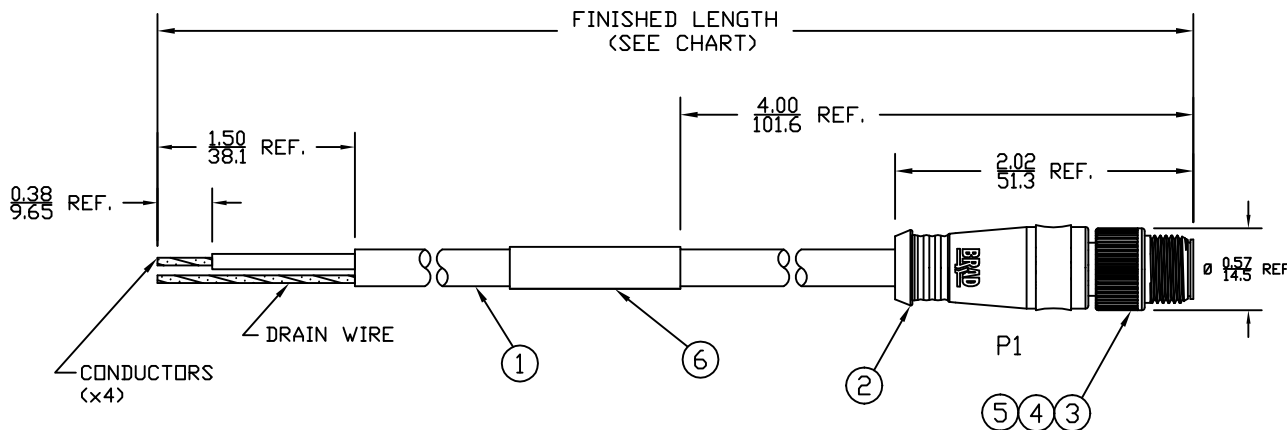
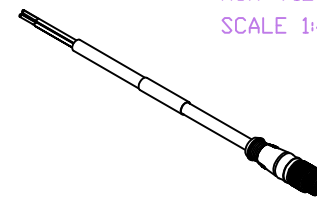
3

2

1

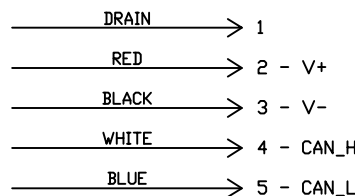
PART NUMBER	ENGINEERING NO.	LENGTH ± TOLERANCE
1300270012	DND02A-M010	3' 3" +2.19"/-0" [1M +55.6/-0 mm]
1300270015	DND02A-M030	9' 10" +3.50"/-0" [3M +88.9/-0 mm]
1300270017	DND02A-M050	16' 5" +6.50"/-0" [5M +165.1/-0 mm]

AUX VIEW
SCALE 1:4



SCHEMATIC

P1



NOTES:

- 1) MATERIAL: SEE TABLE
- 2) FINISHES: SEE TABLE
- 3) CABLE: #22/4 + DRAIN, DEVICENET THIN
EACH PAIR: SHIELDED, TWISTED
OVERALL: SHIELDED, PVC
- 4) ELECTRICAL DATA:
MAX. VOLTAGE: 250V AC/DC
MAX. CURRENT 4A
- 5) ENVIRONMENTAL:
PROTECTION IP67
TEMPERATURE RANGE: -20°C TO 80°C
- 6) WRAP LABEL IS MARKED WITH P/N, DATE CODE,
VOLTAGE & AMPERAGE.
- 7) ASSEMBLY IS RoHS COMPLIANT.

ITEM	QTY.	DESCRIPTION	MATERIAL	FINISH
6	1	LABEL	PLASTIC FILM	BLACK/YELLOW
5	1	INSERT	NYLON	BLACK
4	5	PIN CONTACT	COPPER ALLOY	GOLD PLATED
3	1	M12 COUPLING NUT	ZINC DIE-CAST	BLACK
2	1	OVERMOLD	PVC	GRAY
1	1	DEVICENET CABLE	PVC JACKET	GRAY

SD RELEASE EC NO: WNA2010-0076 7/30/09 DRWN: VOU CHKD: BWOODMAN APPR: JFMURPHY 2009/08/10	QUALITY SYMBOLS ▽=0 ▽=0	GENERAL TOLERANCES (UNLESS SPECIFIED)		DIMENSION STYLE	SCALE	DESIGN UNITS	THIRD ANGLE PROJECTION	
				IN/MM	3:4	INCH		
				mm	INCH	DRAWN BY	DATE	TITLE
				4 PLACES ±----	±----	VOU	2009/07/30	M12 DEVICENET CABLE ASSY 5P MALE STRAIGHT #22/4 SHLD PVC -THIN STD
		3 PLACES ±----	±0.05	CHECKED BY	DATE			
		2 PLACES ±----	±0.10	BWOODMAN	2009/07/31			
		1 PLACE ±----	±0.20	APPROVED BY	DATE			
		ANGULAR ±1/2°		MATERIAL NO.		MOLEX INCORPORATED		
		DRAFT WHERE APPLICABLE MUST REMAIN WITHIN DIMENSIONS		SEE CHART		DOCUMENT NO.	SHEET NO.	
				SIZE	THIS DRAWING CONTAINS INFORMATION THAT IS PROPRIETARY TO MOLEX INCORPORATED AND SHOULD NOT BE USED WITHOUT WRITTEN PERMISSION			
				A	SD-130027-001		1 OF 1	

6

5

4

3

2

1

E

E

D

D

C

C

B

B

A

A