



PIC16(L)F1777/8/9

28/40/44-Pin, 8-Bit Flash Microcontroller

Description

PIC16(L)F1777/8/9 microcontrollers feature a high level of integration of intelligent analog and digital peripherals for a wide range of applications, such as lighting, power supplies, battery charging, motor control and other general purpose applications. These devices deliver multiple op amps, 5-/10-bit DACs, high-speed comparators, 10-bit ADC, 10-/16-bit PWMs, programmable ramp generator (PRG) and other peripherals that can be connected internally to create closed-loop systems without using pins or the printed circuit board (PCB) area. The 10-/16-bit PWMs, digital signal modulators and tri-state output op amp can be used together to create a LED dimming engine for lighting applications. The peripheral pin select (PPS) functionality provides flexibility, eases PCB layout and peripheral utilization by allowing digital peripheral pin mapping to an I/O.

Core Features

- C Compiler Optimized RISC Architecture
- Only 49 Instructions
- Operating Speed:
 - DC – 32 MHz clock input
 - 125 ns minimum instruction cycle
- Interrupt Capability
- 16-Level Deep Hardware Stack
- Five 8-Bit Timers
- Three 16-Bit Timers
- Low-Current Power-on Reset (POR)
- Configurable Power-up Timer (PWRT)
- Brown-out Reset (BOR) with Selectable Trip Point
- Extended Watchdog Timer (EWDT):
 - Low-power 31 kHz WDT
 - Software selectable prescaler
 - Software selectable enable

Memory

- Up to 28 Kbytes Program Flash Memory (PFM)
- Up to 2 Kbytes Data RAM
- Direct, Indirect and Relative Addressing modes
- High-Endurance Flash (HEF):
 - 128B of nonvolatile data storage
 - 100K Erase/Write cycles

Operating Characteristics

- Operating Voltage Range:
 - 1.8V to 3.6V (PIC16LF1777/8/9)
 - 2.3V to 5.5V (PIC16F1777/8/9)
- Temperature Range:
 - Industrial: -40°C to 85°C
 - Extended: -40°C to 125°C

eXtreme Low-Power (XLP) Features

- Sleep mode: 50 nA @ 1.8V, typical
- Watchdog Timer: 500 nA @ 1.8V, typical
- Secondary Oscillator: 500 nA @ 32 kHz
- Operating Current:
 - 8 uA @ 31 kHz, 1.8V, typical
 - 32 uA/MHz @ 1.8V, typical

Intelligent Analog Peripherals

- 10-Bit Analog-to-Digital Converter (ADC):
 - Up to 28 external channels
 - Conversion available during Sleep
- Four Operational Amplifiers (OPA):
 - Selectable internal and external channels
 - Tri-state output
 - Part of LED dimming engine
 - Selectable internal and external channels
- Eight High-Speed Comparators (HS Comp):
 - Up to nine external inverting inputs
 - Up to 12 external non-inverting inputs
 - Fixed Voltage Reference at inverting and non-inverting input(s)
 - Comparator outputs externally accessible
- Digital-to-Analog Converters (DAC):
 - Four 10-bit resolution DACs
 - 10-bit resolution, rail-to-rail
 - Conversion during Sleep
 - Internal connections to ADCs and HS Comparators
- Voltage Reference:
 - Fixed Voltage Reference (FVR)
 - 1.024V, 2.048V and 4.096V output levels
- Zero-Cross Detector (ZCD):
 - Detect high-voltage AC signal
- Four Programmable Ramp Generators (PRG):
 - Slope compensation
 - Ramp generation
- High-Current Drive I/Os:
 - Up to 100 mA sink or source @ 5V

PIC16(L)F1777/8/9

Digital Peripherals

- Four Configurable Logic Cells (CLC):
 - Integrated combinational and state logic
- Four Complementary Output Generators (COG):
 - Push-pull, Full-Bridge and Steering modes
- Four Capture/Compare/PWM (CCP) Modules
- Pulse-Width Modulator (PWM):
 - Four 16-bit PWMs
 - Independent timers
 - Multiple output modes (Edge-, Center-Aligned, set and toggle on register match)
 - User settings for phase, duty cycle, period, offset and polarity
 - 16-bit timer capability
 - Three 10-bit PWMs
- Digital Signal Modulator (DSM):
 - Modulates a carrier signal with a digital data to create custom carrier synchronized output waveforms
 - Part of LED dimming engine
- Peripheral Pin Select (PPS):

- I/O remapping of digital peripherals
- Serial Communications:
 - Enhanced USART (EUSART)
 - SPI, I²C, RS-232, RS-485, LIN compatible
 - Auto-Baud Detect, auto-wake-up on start
- Up to 25 I/O Pins:
 - Individually programmable pull-ups
 - Slew rate control
 - Interrupt-on-change with edge-select

Clocking Structure

- Precision Internal Oscillator:
 - ±1% at calibration
 - Selectable frequency range 32 MHz to 31 kHz
- 31 kHz Low-Power Internal Oscillator
- 4x Phase-Locked Loop (PLL) for up to 32 MHz Internal Operation
- External Oscillator Block with Three External Clock modes up to 32 MHz

TABLE 1: PIC16(L)F1773/6/7/8/9 FAMILY TYPES

Device	Data Sheet Index	Program Flash Memory (bytes)	Program Flash Memory (word)	High Endurance Flash (B)	Data SRAM (Bytes)	I/O Pins ⁽¹⁾	8-Bit/16-Bit Timers	High-Speed Comparator	10-bit ADC (ch)	5/10-bit DAC	CCP	10-bit/16-bit PWM	COG	CLC	Op Amp	Zero Cross Detect	Programmable Ramp Gen	High-Current I/Os	Peripheral Pin Select	EUSART	I ² C/SPI	Debug ⁽²⁾
PIC16(L)F1773	(A)	7K	4K	128	512	25	5/3	6	17	3/3	3	3/3	3	4	3	1	3	2	Y	1	1	I
PIC16(L)F1776	(A)	14K	8K	128	1K	25	5/3	6	17	3/3	3	3/3	3	4	3	1	3	2	Y	1	1	I
PIC16(L)F1777	(B)	14K	8K	128	1K	36	5/3	8	28	4/4	4	4/4	4	4	4	1	4	2	Y	1	1	I
PIC16(L)F1778	(B)	28K	16K	128	2K	25	5/3	6	17	3/3	3	3/3	3	4	3	1	3	2	Y	1	1	I
PIC16(L)F1779	(B)	28K	16K	128	2K	36	5/3	8	28	4/4	4	4/4	4	4	4	1	4	2	Y	1	1	I

- Note** 1: One pin is input-only.
 2: I – Debugging integrated on chip.

Data Sheet Index:

- A: DS40001810 [PIC16\(L\)F1773/6 Data Sheet, 28-Pin, 8-bit Flash Microcontrollers](#)
 B: DS40001819 [PIC16\(L\)F1777/8/9 Data Sheet, 28/40/44-Pin, 8-bit Flash Microcontrollers](#)

Note: For other small form-factor package availability and marking information, please visit <http://www.microchip.com/packaging> or contact your local sales office.

TABLE 2: PACKAGES

Packages	SPDIP	PDIP	SOIC	SSOP	UQFN	QFN	TQFP
PIC16(L)F1778	•		•	•	•		
PIC16(L)F1777/9		•			•	•	•

Note: Pin details are subject to change.

PIC16(L)F1777/8/9

PIN DIAGRAMS

FIGURE 1: 28-PIN SPDIP, SOIC, SSOP



FIGURE 2: 28-PIN UQFN (6x6x0.5 mm)



FIGURE 3: 40-PIN PDIP



FIGURE 4: 40-PIN UQFN (5x5x0.5 mm)



PIC16(L)F1777/8/9

FIGURE 5: 44-PIN TQFP (10x10 mm)



FIGURE 6: 44-PIN QFN (8X8 mm)



PIN ALLOCATION TABLES

TABLE 3: 28-PIN ALLOCATION TABLE (PIC16(L)F1778)

I/O	28-Pin SPDIP/SOIC/SSOP	28-Pin UQFN	ADC	VREF	DAC	Op Amp	Comparator	ZCD	PRG	Timers	PWM	CCP	COG	CLC	Modulator	EUSART	MSSP	Interrupt	Pull-ups	High Current	Basic	
RA0	2	27	AN0	—	—	—	C1IN0- C2IN0- C3IN0- C4IN0- C5IN0- C6IN0-	—	—	—	—	—	—	CLCIN0 ⁽¹⁾	—	—	—	—	IOE	Y	—	—
RA1	3	28	AN1	—	—	OPA1OUT OPA2IN1+ OPA2IN1-	C1IN1- C2IN1- C3IN1- C4IN1-	—	PRG1IN0 PRG2IN1	—	—	—	—	CLCIN1 ⁽¹⁾	—	—	—	—	IOE	Y	—	—
RA2	4	1	AN2 VREF-	DAC1REF0- DAC2REF0- DAC3REF0- DAC4REF0- DAC5REF0- DAC7REF0-	DAC1OUT1	—	C1IN0+ C2IN0+ C3IN0+ C4IN0+ C5IN0+ C6IN0+	—	—	—	—	—	—	—	—	—	—	—	IOE	Y	—	—
RA3	5	2	AN3 VREF+	DAC1REF0+ DAC2REF0+ DAC3REF0+ DAC4REF0+ DAC5REF0+ DAC7REF0+	—	—	C1IN1+	—	—	—	—	—	—	—	MD1CL ⁽¹⁾	—	—	—	IOE	Y	—	—
RA4	6	3	—	—	DAC4OUT1	OPA1IN0+	—	—	PRG1R ⁽¹⁾	T0CKI	—	—	—	—	MD1CH ⁽¹⁾	—	—	—	IOE	Y	—	—
RA5	7	4	AN4	—	DAC2OUT1	OPA1IN0-	—	—	PRG1F ⁽¹⁾	—	—	—	—	—	MD1MOD ⁽¹⁾	—	SS	—	IOE	Y	—	—
RA6	10	7	—	—	—	—	C6IN1+	—	—	—	—	—	—	—	—	—	—	—	IOE	Y	—	OSC2 CLKOUT
RA7	9	6	—	—	—	—	—	—	—	—	—	—	—	—	—	—	—	—	IOE	Y	—	OSC1 CLKIN
RB0	21	18	AN12	—	—	—	C2IN1+	ZCD	—	—	—	—	COG1IN ⁽¹⁾	—	—	—	—	—	IOE INT	Y	HIB0	—
RB1	22	19	AN10	—	—	OPA2OUT OPA1IN1+ OPA1IN1-	C1IN3- C2IN3- C3IN3- C4IN3-	—	PRG2IN0 PRG1IN1	—	—	—	COG2IN ⁽¹⁾	—	—	—	—	—	IOE	Y	HIB1	—
RB2	23	20	AN8	—	DAC3OUT1	OPA2IN0-	—	—	—	—	—	—	COG3IN ⁽¹⁾	—	—	—	—	—	IOE	Y	—	—
RB3	24	21	AN9	—	—	OPA2IN0+	C1IN2- C2IN2- C3IN2-	—	—	—	—	—	—	—	MD3CL ⁽¹⁾	—	—	—	IOE	Y	—	—

Note 1: Default peripheral input. Input can be moved to any other pin with the PPS input selection register.
2: All pin outputs default to PORT latch data. Any pin can be selected as a digital peripheral output with the PPS output selection registers.
3: These peripheral functions are bidirectional. The output pin selections must be the same as the input pin selections.

TABLE 3: 28-PIN ALLOCATION TABLE (PIC16(L)F1778) (CONTINUED)

I/O	28-Pin SPD/IO/SSOP	28-Pin UQFN	ADC	VREF	DAC	Op Amp	Comparator	ZCD	PRG	Timers	PWM	CCP	COG	CLC	Modulator	EUSART	MSSP	Interrupt	Pull-ups	High Current	Basic
RB4	25	22	AN11	—	—	—	C3IN1+	—	—	T5G	—	—	—	—	MD3CH ⁽¹⁾	—	—	IOC	Y	—	—
RB5	26	23	AN13	DAC5REF1- DAC7REF1-	—	—	C4IN2-	—	—	T1G	—	CCP7 ⁽¹⁾	—	—	MD3MOD ⁽¹⁾	—	—	IOC	Y	—	—
RB6	27	24	—	DAC5REF1+ DAC7REF1+	—	—	C4IN1+	—	—	—	—	—	—	CLCIN2 ⁽¹⁾	—	—	—	IOC	Y	—	ICSPCLK
RB7	28	25	—	—	DAC1OUT2 DAC2OUT2 DAC3OUT2 DAC4OUT2 DAC5OUT2 DAC7OUT2	—	C5IN1+	—	—	T6IN ⁽¹⁾	—	—	—	CLCIN3 ⁽¹⁾	—	—	—	IOC	Y	—	ICSPDAT
RC0	11	8	—	—	DAC5OUT1	—	—	—	—	T1CKI ⁽¹⁾ T3CKI ⁽¹⁾ T3G ⁽¹⁾ SOSCO	—	—	—	—	—	—	—	IOC	Y	—	—
RC1	12	9	—	—	DAC7OUT1	—	—	—	PRG2R ⁽¹⁾	SOSCI	—	CCP2 ⁽¹⁾	—	—	—	—	—	IOC	Y	—	—
RC2	13	10	AN14	—	—	—	C5IN2- C6IN2-	—	PRG2F ⁽¹⁾	T5CKI	—	CCP1 ⁽¹⁾	—	—	—	—	—	IOC	Y	—	—
RC3	14	11	AN15	—	—	—	C1IN4- C2IN4- C3IN4- C4IN4- C5IN4- C6IN4-	—	—	T2IN ⁽¹⁾	—	—	—	—	MD2CL ⁽¹⁾	—	SCL	IOC	Y	—	—
RC4	15	12	AN16	—	—	—	C5IN3- C6IN3-	—	PRG3R ⁽¹⁾	T8IN ⁽¹⁾	—	—	—	—	MD2CH ⁽¹⁾	—	SDA	IOC	Y	—	—
RC5	16	13	AN17	—	—	OPA3IN0+	—	—	PRG3F ⁽¹⁾	T4IN ⁽¹⁾	—	—	—	—	MD2MOD ⁽¹⁾	—	—	IOC	Y	—	—
RC6	17	14	AN18	—	—	OPA3OUT	C5IN1- C6IN1-	—	PRG3IN0	—	—	—	—	—	—	—	—	IOC	Y	—	—
RC7	18	15	AN19	—	—	OPA3IN0-	—	—	—	—	—	—	—	—	—	—	—	IOC	Y	—	—
RE3	1	26	—	—	—	—	—	—	—	—	—	—	—	—	—	—	—	IOC	—	—	MCLR VPP
VDD	20	17	—	—	—	—	—	—	—	—	—	—	—	—	—	—	—	—	—	—	VDD
VSS	8	5	—	—	—	—	—	—	—	—	—	—	—	—	—	—	—	—	—	—	VSS
VSS	19	16	—	—	—	—	—	—	—	—	—	—	—	—	—	—	—	—	—	—	VSS

- Note**
- 1: Default peripheral input. Input can be moved to any other pin with the PPS input selection register.
 - 2: All pin outputs default to PORT latch data. Any pin can be selected as a digital peripheral output with the PPS output selection registers.
 - 3: These peripheral functions are bidirectional. The output pin selections must be the same as the input pin selections.

TABLE 3: 28-PIN ALLOCATION TABLE (PIC16(L)F1778) (CONTINUED)

I/O	28-Pin SPDIP/SOIC/SSOP	28-Pin UQFN	ADC	VREF	DAC	Op Amp	Comparator	ZCD	PRG	Timers	PWM	CCP	COG	CLC	Modulator	EUSART	MSSP	Interrupt	Pull-ups	High Current	Basic
OUT ⁽²⁾	—	—	—	—	—	—	C1OUT C2OUT C3OUT C4OUT C5OUT C6OUT	—	—	—	PWM3 PWM4 PWM5 PWM6 PWM9 PWM11	CCP1 CCP2 CCP7	COG1A COG1B COG1C COG1D COG2A COG2B COG2C COG2D COG3A COG3B COG3C COG3D	CLC1OUT CLC2OUT CLC3OUT CLC4OUT	MD1OUT MD2OUT MD3OUT	DT ⁽³⁾ TX CK	SDO SDA ⁽³⁾ SCK SCL ⁽³⁾	—	—	—	—

- Note**
- 1: Default peripheral input. Input can be moved to any other pin with the PPS input selection register.
 - 2: All pin outputs default to PORT latch data. Any pin can be selected as a digital peripheral output with the PPS output selection registers.
 - 3: These peripheral functions are bidirectional. The output pin selections must be the same as the input pin selections.

TABLE 4: 40/44-PIN ALLOCATION TABLE (PIC16(L)F1777/9)

I/O	40-Pin PDIP	40-Pin (U) QFN	44-Pin TOFP	44-Pin QFN	ADC	VREF	DAC	Op Amp	Comparator	ZCD	PRG	Timers	PWM	CCP	COG	CLC	Modulator	EUSART	MSSP	Interrupt	Pull-ups	High Current	Basic		
RA0	2	17	19	19	AN0	—	—	—	C1IN0- C2IN0- C3IN0- C4IN0- C5IN0- C6IN0- C7IN0- C8IN0-	—	—	—	—	—	—	—	CLCIN0 ⁽¹⁾	—	—	—	IOC	Y	—	—	
RA1	3	18	20	20	AN1	—	—	OPA1OUT OPA2IN1+ OPA2IN1-	C1IN1- C2IN1- C3IN1- C4IN1-	—	PRG1IN0 PRG2IN1	—	—	—	—	—	—	—	—	—	IOC	Y	—	—	
RA2	4	19	21	21	AN2	DAC1REF0- DAC2REF0- DAC3REF0- DAC4REF0- DAC5REF0- DAC6REF0- DAC7REF0- DAC8REF0-	DAC1OUT1	—	C1IN0+ C2IN0+ C3IN0+ C4IN0+ C5IN0+ C6IN0+ C7IN0+ C8IN0+	—	—	—	—	—	—	—	—	—	—	—	—	IOC	Y	—	—
RA3	5	20	22	22	AN3	DAC1REF0+ DAC2REF0+ DAC3REF0+ DAC4REF0+ DAC5REF0+ DAC6REF0+ DAC7REF0+ DAC8REF0+	—	—	C1IN1+	—	—	—	—	—	—	—	—	MD1CL ⁽¹⁾	—	—	—	IOC	Y	—	—
RA4	6	21	23	23	—	—	—	OPA1IN0+	—	—	PRG1R ⁽¹⁾	—	—	—	—	—	—	MD1CH ⁽¹⁾	—	—	—	IOC	Y	—	—
RA5	7	22	24	24	AN4	—	DAC2OUT1	OPA1IN0-	—	—	PRG1F ⁽¹⁾	—	—	—	—	—	—	MD1MOD ⁽¹⁾	—	SS	—	IOC	Y	—	—
RA6	14	29	31	33	—	—	—	—	C6IN1+	—	—	—	—	—	—	—	—	—	—	—	—	IOC	Y	—	OSC2 CLKOUT
RA7	13	28	30	32	—	—	—	—	—	—	—	—	—	—	—	—	—	—	—	—	—	IOC	Y	—	OSC1 CLKIN
RB0	33	8	8	9	AN12	—	—	—	C2IN1+	ZCD	—	—	—	CCP8 ⁽¹⁾	COG1IN ⁽¹⁾	—	—	—	—	—	—	IOC INT	Y	HIB0	—
RB1	34	9	9	10	AN10	—	—	OPA2OUT OPA1IN1+ OPA1IN1-	C1IN3- C2IN3- C3IN3- C4IN3-	—	PRG2IN0 PRG1IN1 PRG4R ⁽¹⁾	—	—	—	—	COG2IN ⁽¹⁾	—	—	—	—	—	IOC	Y	HIB1	—
RB2	35	10	10	11	AN8	—	DAC3OUT1	OPA2IN0-	—	—	PRG4F ⁽¹⁾	—	—	—	—	COG3IN ⁽¹⁾	—	—	—	—	—	IOC	Y	—	—
RB3	36	11	11	12	AN9	—	—	OPA2IN0+	C1IN2- C2IN2- C3IN2-	—	—	—	—	—	—	—	—	—	—	—	—	IOC	Y	—	—
RB4	37	12	14	14	AN11	—	—	—	C3IN1+	—	—	—	—	—	—	—	—	—	—	—	—	IOC	Y	—	—

- Note**
- 1: Default peripheral input. Input can be moved to any other pin with the PPS input selection register.
 - 2: All pin outputs default to PORT latch data. Any pin can be selected as a digital peripheral output with the PPS output selection registers.
 - 3: These peripheral functions are bidirectional. The output pin selections must be the same as the input pin selections.

TABLE 4: 40/44-PIN ALLOCATION TABLE (PIC16(L)F1777/9) (CONTINUED)

I/O	40-Pin PDIP	40-Pin (U)QFN	44-Pin TQFP	44-Pin QFN	ADC	VREF	DAC	Op Amp	Comparator	ZCD	PRG	Timers	PWM	CCP	COG	CLC	Modulator	EUSART	MSSP	Interrupt	Pull-ups	High Current	Basic	
RB5	38	13	15	15	AN13	DAC5REF1- DAC7REF1-	—	—	C4IN2-	—	—	—	—	CCP7 ⁽¹⁾	—	—	MD3MOD ⁽¹⁾	—	—	IOC	Y	—	—	
RB6	39	14	16	16	—	DAC5REF1+ DAC7REF1+	—	—	C4IN1+	—	—	—	—	—	—	CLCIN2 ⁽¹⁾	—	—	—	IOC	Y	—	ICSPCLK	
RB7	40	15	17	17	—	—	DAC1OUT2 DAC2OUT2 DAC3OUT2 DAC4OUT2 DAC5OUT2 DAC6OUT2 DAC7OUT2 DAC8OUT2	—	C5IN1+	—	—	T6IN ⁽¹⁾	—	—	—	CLCIN3 ⁽¹⁾	—	—	—	IOC	Y	—	ICSPDAT	
RC0	15	30	32	34	—	—	DAC5OUT1	—	—	—	—	T1CKI ⁽¹⁾ T3CKI ⁽¹⁾ T3G ⁽¹⁾ SOSCO	—	—	—	—	—	—	—	IOC	Y	—	—	
RC1	16	31	35	35	—	—	DAC7OUT1	—	—	—	PRG2R ⁽¹⁾	SOSCI	—	CCP2 ⁽¹⁾	—	—	—	—	—	—	IOC	Y	—	—
RC2	17	32	36	36	AN14	—	—	—	C5IN2- C6IN2-	—	PRG2F ⁽¹⁾	—	—	CCP1 ⁽¹⁾	—	—	—	—	—	—	IOC	Y	—	—
RC3	18	33	37	37	AN15	—	—	—	—	—	—	T2IN ⁽¹⁾	—	—	—	—	MD2CL ⁽¹⁾	—	SCL	IOC	Y	—	—	
RC4	23	38	42	42	AN16	—	—	—	C5IN3- C6IN3-	—	PRG3R ⁽¹⁾	T8IN ⁽¹⁾	—	—	—	—	MD2CH ⁽¹⁾	—	SDA	IOC	Y	—	—	
RC5	24	39	43	43	AN17	—	—	OPA3IN0+	—	—	PRG3F ⁽¹⁾	T4IN ⁽¹⁾	—	—	—	—	MD2MOD ⁽¹⁾	—	—	—	IOC	Y	—	—
RC6	25	40	44	44	AN18	—	—	OPA3OUT OPA4IN1+ OPA4IN1-	C5IN1- C6IN1- C7IN1- C8IN1-	—	PRG3IN0 PRG4IN1	—	—	—	—	—	—	—	—	—	IOC	Y	—	—
RC7	26	1	1	1	AN19	—	—	OPA3IN0-	—	—	—	—	—	—	—	—	—	—	—	—	IOC	Y	—	—
RD0	19	34	38	38	AN20	—	—	OPA4IN0+	—	—	—	—	—	—	—	—	—	—	—	—	—	Y	—	—
RD1	20	35	39	39	AN21	—	—	OPA4OUT OPA3IN1+ OPA3IN1-	C1IN4- C2IN4- C3IN4- C4IN4- C5IN4- C6IN4- C7IN4- C8IN4-	—	PRG3IN1 PRG4IN0	—	—	—	—	—	—	—	—	—	—	Y	—	—
RD2	21	36	40	40	AN22	—	DAC4OUT1	OPA4IN0-	—	—	—	—	—	—	—	—	—	—	—	—	—	Y	—	—
RD3	22	37	41	41	AN23	—	—	—	C8IN2-	—	—	—	—	—	—	—	—	—	—	—	—	Y	—	—
RD4	27	2	2	2	AN24	—	—	—	C7IN2-	—	—	—	—	—	—	—	—	—	—	—	—	Y	—	—
RD5	28	3	3	3	AN25	—	—	—	C7IN3- C8IN3-	—	—	—	—	—	—	—	—	—	—	—	—	Y	—	—
RD6	29	4	4	4	AN26	—	—	—	C7IN1+	—	—	—	—	—	—	—	—	—	—	—	—	Y	—	—
RD7	30	5	5	5	AN27	—	—	—	C8IN1+	—	—	—	—	—	—	—	—	—	—	—	—	Y	—	—

- Note**
- 1: Default peripheral input. Input can be moved to any other pin with the PPS input selection register.
 - 2: All pin outputs default to PORT latch data. Any pin can be selected as a digital peripheral output with the PPS output selection registers.
 - 3: These peripheral functions are bidirectional. The output pin selections must be the same as the input pin selections.

TABLE 4: 40/44-PIN ALLOCATION TABLE (PIC16(L)F1777/9) (CONTINUED)

I/O	40-Pin PDIP	40-Pin (U)QFN	44-Pin TQFP	44-Pin QFN	ADC	VREF	DAC	Op Amp	Comparator	ZCD	PRG	Timers	PWM	CCP	COG	CLC	Modulator	EUSART	MSSP	Interrupt	Pull-ups	High Current	Basic	
RE0	8	23	25	25	AN5	DAC6REF1+ DAC8REF1+	—	—	—	—	—	—	—	—	—	—	—	—	—	—	Y	—	—	
RE1	9	24	26	26	AN6	DAC6REF1- DAC8REF1-	DAC6OUT1	—	—	—	—	—	—	—	—	—	—	—	—	—	Y	—	—	
RE2	10	25	27	27	AN7	—	DAC8OUT1	—	—	—	—	—	—	—	—	—	—	—	—	—	Y	—	—	
RE3	1	16	18	18	—	—	—	—	—	—	—	—	—	—	—	—	—	—	—	IOC	Y	—	MCLR VPP	
VDD	11	7	7	7,8	—	—	—	—	—	—	—	—	—	—	—	—	—	—	—	—	—	—	VDD	
VDD	32	26	28	28	—	—	—	—	—	—	—	—	—	—	—	—	—	—	—	—	—	—	VDD	
VSS	12	6	6	6	—	—	—	—	—	—	—	—	—	—	—	—	—	—	—	—	—	—	VSS	
VSS	31	27	29	30	—	—	—	—	—	—	—	—	—	—	—	—	—	—	—	—	—	—	VSS	
OUT ⁽²⁾	—	—	—	—	—	—	—	—	C1OUT C2OUT C3OUT C4OUT C5OUT C6OUT C7OUT C8OUT	—	—	—	PWM3 PWM4 PWM5 PWM6 PWM9 PWM10 PWM11 PWM12	CCP1 CCP2 CCP7 CCP8	COG1A COG1B COG1C COG1D COG2A COG2B COG2C COG2D COG3A COG3B COG3C COG3D COG4A COG4B COG4C COG4D	CLC1OUT CLC2OUT CLC3OUT CLC4OUT	MD1OUT MD2OUT MD3OUT MD4OUT	DT ⁽³⁾ TX CK	SDO SDA ⁽³⁾ SCK SCL ⁽³⁾	—	—	—	—	—

- Note**
- 1: Default peripheral input. Input can be moved to any other pin with the PPS input selection register.
 - 2: All pin outputs default to PORT latch data. Any pin can be selected as a digital peripheral output with the PPS output selection registers.
 - 3: These peripheral functions are bidirectional. The output pin selections must be the same as the input pin selections.

Table of Contents

1.0	Device Overview	15
2.0	Enhanced Mid-Range CPU	34
3.0	Memory Organization	36
4.0	Device Configuration	94
5.0	Oscillator Module (with Fail-Safe Clock Monitor)	101
6.0	Resets	119
7.0	Interrupts	127
8.0	Power-Down Mode (Sleep)	146
9.0	Watchdog Timer (WDT)	151
10.0	Flash Program Memory Control	156
11.0	I/O Ports	173
12.0	Peripheral Pin Select (PPS) Module	203
13.0	Interrupt-On-Change	213
14.0	Fixed Voltage Reference (FVR)	221
15.0	Temperature Indicator Module	224
16.0	Analog-to-Digital Converter (ADC) Module	226
17.0	5-Bit Digital-to-Analog Converter (DAC) Module	241
18.0	10-bit Digital-to-Analog Converter (DAC) Module	246
19.0	Comparator Module	252
20.0	Zero-Cross Detection (ZCD) Module	265
21.0	Timer0 Module	272
22.0	Timer1/3/5 Module with Gate Control	275
23.0	Timer2/4/6/8 Module	286
24.0	Capture/Compare/PWM Modules	311
25.0	10-Bit Pulse-Width Modulation (PWM) Module	325
26.0	16-bit Pulse-Width Modulation (PWM) Module	332
27.0	Complementary Output Generator (COG) Modules	359
28.0	Configurable Logic Cell (CLC)	391
29.0	Operational Amplifier (OPA) Modules	406
30.0	Programmable Ramp Generator (PRG) Module	413
31.0	Data Signal Modulator (DSM)	427
32.0	Master Synchronous Serial Port (MSSP) Module	440
33.0	Enhanced Universal Synchronous Asynchronous Receiver Transmitter (EUSART)	493
34.0	In-Circuit Serial Programming™ (ICSP™)	524
35.0	Instruction Set Summary	526
36.0	Electrical Specifications	540
37.0	DC and AC Characteristics Graphs and Charts	575
38.0	Development Support	599
39.0	Packaging Information	603
	Appendix A: Data Sheet Revision History	625

TO OUR VALUED CUSTOMERS

It is our intention to provide our valued customers with the best documentation possible to ensure successful use of your Microchip products. To this end, we will continue to improve our publications to better suit your needs. Our publications will be refined and enhanced as new volumes and updates are introduced.

If you have any questions or comments regarding this publication, please contact the Marketing Communications Department via E-mail at docerrors@microchip.com. We welcome your feedback.

Most Current Data Sheet

To obtain the most up-to-date version of this data sheet, please register at our Worldwide Website at:

<http://www.microchip.com>

You can determine the version of a data sheet by examining its literature number found on the bottom outside corner of any page. The last character of the literature number is the version number, (e.g., DS30000000A is version A of document DS30000000).

Errata

An errata sheet, describing minor operational differences from the data sheet and recommended workarounds, may exist for current devices. As device/documentation issues become known to us, we will publish an errata sheet. The errata will specify the revision of silicon and revision of document to which it applies.

To determine if an errata sheet exists for a particular device, please check with one of the following:

- Microchip's Worldwide Website; <http://www.microchip.com>
- Your local Microchip sales office (see last page)

When contacting a sales office, please specify which device, revision of silicon and data sheet (include literature number) you are using.

Customer Notification System

Register on our website at www.microchip.com to receive the most current information on all of our products.

PIC16(L)F1777/8/9

1.0 DEVICE OVERVIEW

The PIC16(L)F1777/8/9 are described within this data sheet. See [Table 2](#) for available package configurations.

[Figure 1-1](#) shows a block diagram of the PIC16(L)F1777/8/9 devices. [Table 1-2](#) shows the pinout descriptions.

Refer to [Table 1-1](#) for peripherals available per device.

TABLE 1-1: DEVICE PERIPHERAL SUMMARY

Peripheral	PIC16(L)F1778	PIC16(L)F1777/9
Analog-to-Digital Converter (ADC)	•	•
Fixed Voltage Reference (FVR)	•	•
Zero-Cross Detection (ZCD)	•	•
Temperature Indicator	•	•
Complementary Output Generator (COG)		
	COG1	• •
	COG2	• •
	COG3	• •
	COG4	•
Programmable Ramp Generator (PRG)		
	PRG1	• •
	PRG2	• •
	PRG3	• •
	PRG4	•
10-bit Digital-to-Analog Converter (DAC)		
	DAC1	• •
	DAC2	• •
	DAC5	• •
	DAC6	•
5-bit Digital-to-Analog Converter (DAC)		
	DAC3	• •
	DAC4	• •
	DAC7	• •
	DAC8	•
Capture/Compare/PWM (CCP/ECCP) Modules		
	CCP1	• •
	CCP2	• •
	CCP7	• •
	CCP8	•
Comparators		
	C1	• •
	C2	• •
	C3	• •
	C4	• •
	C5	• •
	C6	• •
	C7	•
	C8	•

TABLE 1-1: DEVICE PERIPHERAL SUMMARY

Peripheral	PIC16(L)F1778	PIC16(L)F1777/9
Configurable Logic Cell (CLC)		
	CLC1	• •
	CLC2	• •
	CLC3	• •
	CLC4	• •
Data Signal Modulator (DSM)		
	DSM1	• •
	DSM2	• •
	DSM3	• •
	DSM4	•
Enhanced Universal Synchronous/Asynchronous Receiver/Transmitter (EUSART)		
	EUSART	• •
Master Synchronous Serial Ports		
	MSSP	• •
Op Amps		
	OPA1	• •
	OPA2	• •
	OPA3	• •
	OPA4	•
10-bit Pulse-Width Modulator (PWM)		
	PWM3	• •
	PWM4	• •
	PWM9	• •
	PWM10	•
16-bit Pulse-Width Modulator (PWM)		
	PWM5	• •
	PWM6	• •
	PWM11	• •
	PWM12	•
8-bit Timers		
	Timer0	• •
	Timer2	• •
	Timer4	• •
	Timer6	• •
	Timer8	• •
16-bit Timers		
	Timer1	• •
	Timer3	• •
	Timer5	• •

PIC16(L)F1777/8/9

1.1 Register and Bit naming conventions

1.1.1 REGISTER NAMES

When there are multiple instances of the same peripheral in a device, the peripheral control registers will be depicted as the concatenation of a peripheral identifier, peripheral instance, and control identifier. The control registers section will show just one instance of all the register names with an 'x' in the place of the peripheral instance number. This naming convention may also be applied to peripherals when there is only one instance of that peripheral in the device to maintain compatibility with other devices in the family that contain more than one.

1.1.2 BIT NAMES

There are two variants for bit names:

- Short name: Bit function abbreviation
- Long name: Peripheral abbreviation + short name

1.1.2.1 Short Bit Names

Short bit names are an abbreviation for the bit function. For example, some peripherals are enabled with the EN bit. The bit names shown in the registers are the short name variant.

Short bit names are useful when accessing bits in C programs. The general format for accessing bits by the short name is *RegisterName*bits.*ShortName*. For example, the enable bit, EN, in the COG1CON0 register can be set in C programs with the instruction `COG1CON0bits.EN = 1`.

Short names are generally not useful in assembly programs because the same name may be used by different peripherals in different bit positions. When this occurs, during the include file generation, all instances of that short bit name are appended with an underscore plus the name of the register in which the bit resides to avoid naming contentions.

1.1.2.2 Long Bit Names

Long bit names are constructed by adding a peripheral abbreviation prefix to the short name. The prefix is unique to the peripheral, thereby making every long bit name unique. The long bit name for the COG1 enable bit is the COG1 prefix, G1, appended with the enable bit short name, EN, resulting in the unique bit name G1EN.

Long bit names are useful in both C and assembly programs. For example, in C the COG1CON0 enable bit can be set with the `G1EN = 1` instruction. In assembly, this bit can be set with the `BSF COG1CON0,G1EN` instruction.

1.1.2.3 Bit Fields

Bit fields are two or more adjacent bits in the same register. Bit fields adhere only to the short bit naming convention. For example, the three Least Significant bits of the COG1CON0 register contain the mode control bits. The short name for this field is MD. There is no long bit name variant. Bit field access is only possible in C programs. The following example demonstrates a C program instruction for setting the COG1 to the Push-Pull mode:

```
COG1CON0bits.MD = 0x5;
```

Individual bits in a bit field can also be accessed with long and short bit names. Each bit is the field name appended with the number of the bit position within the field. For example, the Most Significant mode bit has the short bit name MD2 and the long bit name is G1MD2. The following two examples demonstrate assembly program sequences for setting the COG1 to the Push-Pull mode:

EXAMPLE 1-1:

```
MOVLW ~(1<<G1MD1)
ANDWF COG1CON0,F
MOVLW 1<<G1MD2 | 1<<G1MD0
IORWF COG1CON0,F
```

EXAMPLE 1-2:

```
BSF COG1CON0,G1MD2
BCF COG1CON0,G1MD1
BSF COG1CON0,G1MD0
```

1.1.3 REGISTER AND BIT NAMING EXCEPTIONS

1.1.3.1 Status, Interrupt, and Mirror Bits

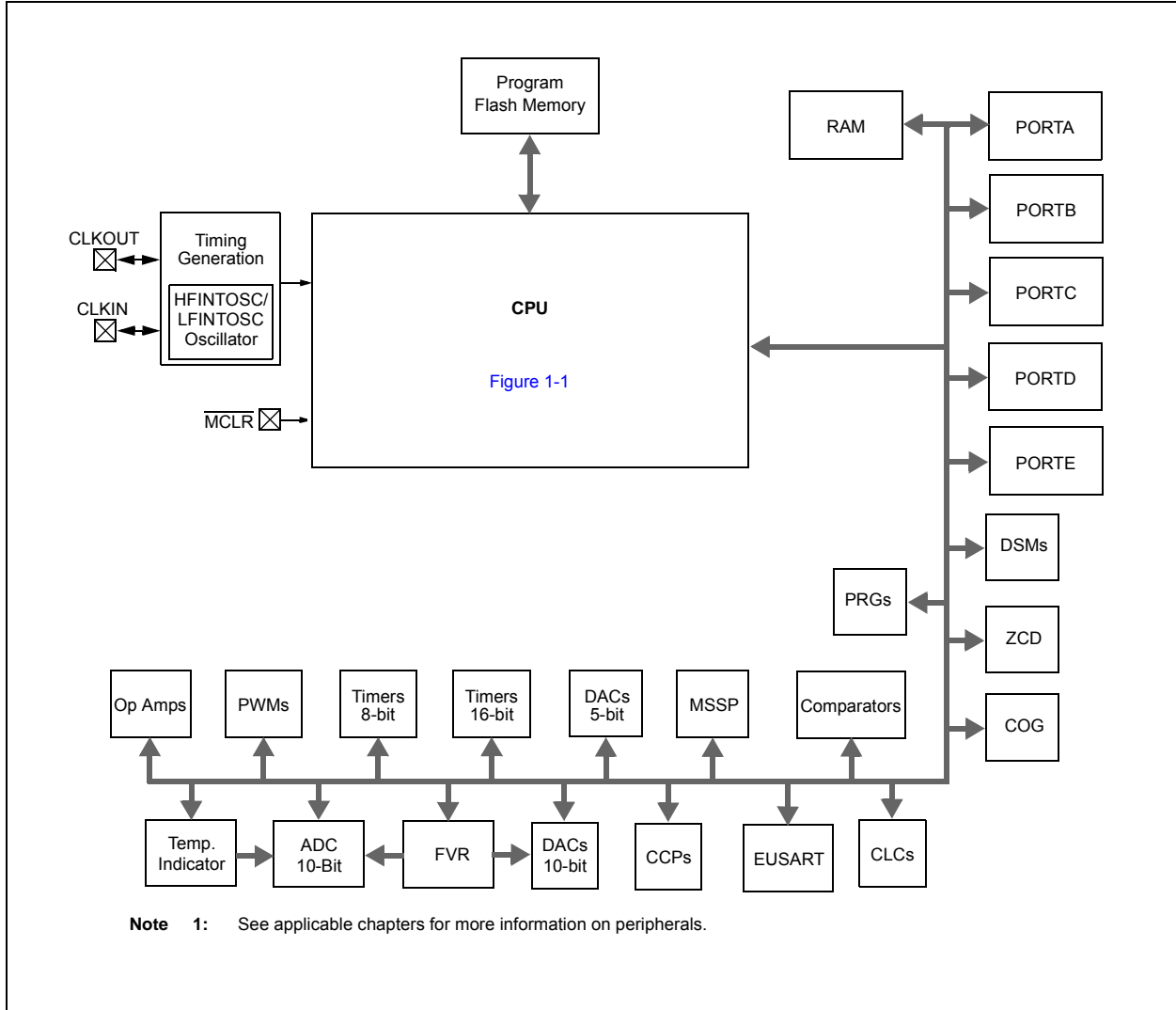
Status, interrupt enables, interrupt flags, and mirror bits are contained in registers that span more than one peripheral. In these cases, the bit name shown is unique so there is no prefix or short name variant.

1.1.3.2 Legacy Peripherals

There are some peripherals that do not strictly adhere to these naming conventions. Peripherals that have existed for many years and are present in almost every device are the exceptions. These exceptions were necessary to limit the adverse impact of the new conventions on legacy code. Peripherals that do adhere to the new convention will include a table in the registers section indicating the long name prefix for each peripheral instance. Peripherals that fall into the exception category will not have this table. These peripherals include, but are not limited to, the following:

- EUSART
- MSSP

FIGURE 1-1: PIC16(L)F1777/8/9 BLOCK DIAGRAM



PIC16(L)F1777/8/9

TABLE 1-2: PIC16(L)F1778 PINOUT DESCRIPTION

Name	Function	Input Type	Output Type	Description
RA0/AN0/C1IN0-/C2IN0-/C3IN0-/C4IN0-/C5IN0-/C6IN0-/CLCIN0 ⁽¹⁾	RA0	TTL/ST	CMOS	General purpose I/O.
	AN0	AN	—	ADC Channel 0 input.
	C1IN0-	AN	—	Comparator 1 negative input.
	C2IN0-	AN	—	Comparator 2 negative input.
	C3IN0-	AN	—	Comparator 3 negative input.
	C4IN0-	AN	—	Comparator 4 negative input.
	C5IN0-	AN	—	Comparator 5 negative input.
	C6IN0-	AN	—	Comparator 6 negative input.
CLCIN0 ⁽¹⁾	TTL/ST	—	CLC input 0.	
RA1/AN1/C1IN1-/C2IN1-/C3IN1-/C4IN1-/PRG1IN0/PRG2IN1/OPA1OUT/OPA2IN1+/OPA2IN1-/CLCIN1 ⁽¹⁾	RA1	TTL/ST	CMOS	General purpose I/O.
	AN1	AN	—	Channel 1 input.
	C1IN1-	AN	—	Comparator 1 negative input.
	C2IN1-	AN	—	Comparator 2 negative input.
	C3IN1-	AN	—	Comparator 3 negative input.
	C4IN1-	AN	—	Comparator 4 negative input.
	PRG1IN0	AN	—	Ramp generator 1 reference voltage input.
	PRG2IN1	AN	—	Ramp generator 2 reference voltage input.
	OPA1OUT	—	AN	Operational amplifier 1 output.
	OPA2IN1+	AN	—	Operational amplifier 2 non-inverting input.
	OPA2IN1-	AN	—	Operational amplifier 2 inverting input.
CLCIN1 ⁽¹⁾	TTL/ST	—	CLC input 1.	
RA2/AN2/VREF-/DAC1REF0-/DAC2REF0-/DAC3REF0-/DAC4REF0-/DAC5REF0-/DAC7REF0-/C1IN0+/C2IN0+/C3IN0+/C4IN0+/C5IN0+/C6IN0+/DAC1OUT1	RA2	TTL/ST	CMOS	General purpose I/O.
	AN2	AN	—	ADC Channel 2 input.
	VREF-	AN	—	ADC negative reference.
	DAC1REF0-	AN	—	DAC1 negative reference.
	DAC2REF0-	AN	—	DAC2 negative reference.
	DAC3REF0-	AN	—	DAC3 negative reference.
	DAC4REF0-	AN	—	DAC4 negative reference.
	DAC5REF0-	AN	—	DAC5 negative reference.
	DAC7REF0-	AN	—	DAC7 negative reference.
	C1IN0+	AN	—	Comparator 1 positive input.
	C2IN0+	AN	—	Comparator 2 positive input.
	C3IN0+	AN	—	Comparator 3 positive input.
	C4IN0+	AN	—	Comparator 4 positive input.
	C5IN0+	AN	—	Comparator 5 positive input.
	C6IN0+	AN	—	Comparator 6 positive input.
	DAC1OUT1	—	AN	DAC1 voltage output.

Legend: AN = Analog input or output CMOS = CMOS compatible input or output OD = Open-Drain
TTL = TTL compatible input ST = Schmitt Trigger input with CMOS levels I²C = Schmitt Trigger input with I²C
HP = High Power XTAL = Crystal levels

- Note**
- 1: Default peripheral input. Alternate pins can be selected as the peripheral input with the PPS input selection registers.
 - 2: All pin digital outputs default to PORT latch data. Alternate outputs can be selected as the peripheral digital output with the PPS output selection registers.
 - 3: These peripheral functions are bidirectional. The output pin selections must be the same as the input pin selections.

TABLE 1-2: PIC16(L)F1778 PINOUT DESCRIPTION (CONTINUED)

Name	Function	Input Type	Output Type	Description
RA3/AN3/VREF+/DAC1REF0+/ DAC2REF0+/DAC3REF0+/ DAC4REF0+/DAC5REF0+/ DAC7REF0+/C1IN1+/MD1CL	RA3	TTL/ST	CMOS	General purpose I/O.
	AN3	AN	—	ADC Channel 3 input.
	VREF+	AN	—	ADC positive reference.
	DAC1REF0+	AN	—	DAC1 positive reference.
	DAC2REF0+	AN	—	DAC2 positive reference.
	DAC3REF0+	AN	—	DAC3 positive reference.
	DAC4REF0+	AN	—	DAC4 positive reference.
	DAC5REF0+	AN	—	DAC5 positive reference.
	DAC7REF0+	AN	—	DAC7 positive reference.
	C1IN1+	AN	—	Comparator 1 positive input.
MD1CL ⁽¹⁾	TTL/ST	—	Data signal modulator 1 low carrier input.	
RA4/OPA1IN0+/PRG1R/ MD1CH/DAC4OUT1/T0CKI	RA4	TTL/ST	CMOS	General purpose I/O.
	OPA1IN0+	AN	—	Operational Amplifier 1 non-inverting input.
	PRG1R ⁽¹⁾	TTL/ST	—	Ramp generator set_rising input.
	MD1CH ⁽¹⁾	TTL/ST	—	Data signal modulator 1 high carrier input.
	DAC4OUT1	—	AN	DAC4 voltage output.
	T0CKI ⁽¹⁾	TTL/ST	—	Timer0 clock input.
RA5/AN4/OPA1IN0-/ DAC2OUT1/PRG1F/ MD1MOD/SS	RA5	TTL/ST	CMOS	General purpose I/O.
	AN4	AN	—	ADC Channel 4 input.
	OPA1IN0-	AN	—	Operational amplifier 1 inverting input.
	DAC2OUT1	—	AN	DAC2 voltage output.
	PRG1F ⁽¹⁾	TTL/ST	—	Ramp generator set_falling input.
	MD1MOD ⁽¹⁾	TTL/ST	—	Data signal modulator modulation input.
RA6/CLKOUT/C6IN1+/OSC2	RA6	TTL/ST	CMOS	General purpose I/O.
	CLKOUT	—	CMOS	Fosc/4 output.
	C6IN1+	AN	—	Comparator 6 positive input.
	OSC2	XTAL	—	Crystal/Resonator (LP, XT, HS modes).
RA7/CLKIN/OSC1	RA7	TTL/ST	CMOS	General purpose I/O.
	CLKIN	TTL/ST	—	CLC input.
	OSC1	XTAL	—	Crystal/Resonator (LP, XT, HS modes).
RB0/AN12/ZCD/HIB0/C2IN1+/ COG1IN	RB0	TTL/ST	CMOS	General purpose I/O.
	AN12	AN	—	ADC Channel 12 input.
	ZCD	AN	—	Zero-cross detection input.
	HIB0	HP	HP	High-Power output.
	C2IN1+	AN	—	Comparator 2 positive input.
	COG1IN ⁽¹⁾	TTL/ST	—	Complementary output generator 1 input.

Legend: AN = Analog input or output CMOS = CMOS compatible input or output OD = Open-Drain
TTL = TTL compatible input ST = Schmitt Trigger input with CMOS levels I²C = Schmitt Trigger input with I²C
HP = High Power XTAL = Crystal levels

- Note** 1: Default peripheral input. Alternate pins can be selected as the peripheral input with the PPS input selection registers.
2: All pin digital outputs default to PORT latch data. Alternate outputs can be selected as the peripheral digital output with the PPS output selection registers.
3: These peripheral functions are bidirectional. The output pin selections must be the same as the input pin selections.

PIC16(L)F1777/8/9

TABLE 1-2: PIC16(L)F1778 PINOUT DESCRIPTION (CONTINUED)

Name	Function	Input Type	Output Type	Description
RB1/AN10/PRG1IN1/PRG2IN0/ HIB1/C1IN3-/C2IN3-/C3IN3-/ C4IN3-/OPA2OUT/OPA1IN1+/ OPA1IN1-/COG2IN	RB1	TTL/ST	CMOS	General purpose I/O.
	AN10	AN	—	ADC Channel 10 input.
	PRG1IN1	AN	—	Ramp generator 1 reference voltage input.
	PRG2IN0	AN	—	Ramp generator 2 reference voltage input.
	HIB1	HP	HP	High-Power output.
	C1IN3-	AN	—	Comparator 1 negative input.
	C2IN3-	AN	—	Comparator 2 negative input.
	C3IN3-	AN	—	Comparator 3 negative input.
	C4IN3-	AN	—	Comparator 4 negative input.
	OPA2OUT	—	AN	Operational amplifier 2 output.
	OPA1IN1+	AN	—	Operational amplifier 1 non-inverting input.
	OPA1IN1-	AN	—	Operational amplifier 1 inverting input.
COG2IN ⁽¹⁾	TTL/ST	—	Complementary output generator 2 input.	
RB2/AN8/OPA2IN0-/ DAC3OUT1/COG3IN	RB2	TTL/ST	CMOS	General purpose I/O.
	AN8	AN	—	ADC Channel 8 input.
	OPA2IN0-	AN	—	Operational amplifier 2 inverting input.
	DAC3OUT1	—	AN	DAC3 voltage output.
	COG3IN ⁽¹⁾	TTL/ST	—	Complementary output generator 3 input.
RB3/AN9/C1IN2-/C2IN2-/ C3IN2-/OPA2IN0+/MD3CL	RB3	TTL/ST	CMOS	General purpose I/O.
	AN9	AN	—	ADC Channel 9 input.
	C1IN2-	AN	—	Comparator 1 negative input.
	C2IN2-	AN	—	Comparator 2 negative input.
	C3IN2-	AN	—	Comparator 3 negative input.
	OPA2IN0+	AN	—	Operational amplifier 2 non-inverting input.
MD3CL ⁽¹⁾	TTL/ST	—	Data signal modulator 3 low carrier input.	
RB4/AN11/C3IN1+/T5G/MD3CH	RB4	TTL/ST	CMOS	General purpose I/O.
	AN11	AN	—	ADC Channel 11 input.
	C3IN1+	AN	—	Comparator 3 positive input.
	T5G ⁽¹⁾	TTL/ST	—	Timer5 gate input.
	MD3CH ⁽¹⁾	TTL/ST	—	Data signal modulator 3 high carrier input.
RB5/AN13/DAC5REF1-/ DAC7REF1-/C4IN2-/T1G/CCP7/ MD3MOD	RB5	TTL/ST	CMOS	General purpose I/O.
	AN13	AN	—	ADC Channel 11 input.
	DAC5REF1-	AN	—	DAC5 negative reference.
	DAC7REF1-	AN	—	DAC7 negative reference.
	C4IN2-	AN	—	Comparator 4 negative input.
	T1G ⁽¹⁾	TTL/ST	—	Timer1 gate input.
	CCP7 ⁽¹⁾	TTL/ST	—	CCP7 capture input.
MD3MOD ⁽¹⁾	TTL/ST	—	Data signal modulator modulation input.	

Legend: AN = Analog input or output CMOS = CMOS compatible input or output OD = Open-Drain
TTL = TTL compatible input ST = Schmitt Trigger input with CMOS levels I²C = Schmitt Trigger input with I²C
HP = High Power XTAL = Crystal levels

- Note** 1: Default peripheral input. Alternate pins can be selected as the peripheral input with the PPS input selection registers.
2: All pin digital outputs default to PORT latch data. Alternate outputs can be selected as the peripheral digital output with the PPS output selection registers.
3: These peripheral functions are bidirectional. The output pin selections must be the same as the input pin selections.

TABLE 1-2: PIC16(L)F1778 PINOUT DESCRIPTION (CONTINUED)

Name	Function	Input Type	Output Type	Description
RB6/DAC5REF1+/DAC7REF1+/C4IN1+/CLCIN2/ICSPCLK	RB6	TTL/ST	CMOS	General purpose I/O.
	DAC5REF1+	AN	—	DAC5 positive reference.
	DAC7REF1+	AN	—	DAC7 positive reference.
	C4IN1+	AN	—	Comparator 2 positive input.
	CLCIN2 ⁽¹⁾	TTL/ST	—	CLC input 2.
	ICSPCLK	ST	—	Serial Programming Clock.
RB7/C5IN1+/DAC1OUT2/DAC2OUT2/DAC3OUT2/DAC4OUT2/DAC5OUT2/DAC7OUT2/T6IN/CLCIN3/ICSPDAT	RB7	TTL/ST	CMOS	General purpose I/O.
	C5IN1+	AN	—	Comparator 5 positive input.
	DAC1OUT2	—	AN	DAC1 voltage output.
	DAC2OUT2	—	AN	DAC2 voltage output.
	DAC3OUT2	—	AN	DAC3 voltage output.
	DAC4OUT2	—	AN	DAC4 voltage output.
	DAC5OUT2	—	AN	DAC5 voltage output.
	DAC7OUT2	—	AN	DAC7 voltage output.
	T6IN ⁽¹⁾	TTL/ST	—	Timer6 gate input.
	CLCIN3 ⁽¹⁾	TTL/ST	—	CLC input 3.
RC0/DAC5OUT1/T1CKI/T3CKI/T3G/SOSCO	RC0	TTL/ST	CMOS	General purpose I/O.
	DAC5OUT1	—	AN	DAC5 voltage output.
	T1CKI ⁽¹⁾	AN	—	Comparator 4 negative input.
	T3CKI ⁽¹⁾	TTL/ST	—	Timer3 clock input.
	T3G ⁽¹⁾	TTL/ST	—	Timer3 gate input.
	SOSCO	—	XTAL	Secondary oscillator output.
RC1/DAC7OUT1/PRG2R/CCP2/SOSCI	RC1	TTL/ST	CMOS	General purpose I/O.
	DAC7OUT1	—	AN	DAC7 voltage output.
	PRG2R ⁽¹⁾	TTL/ST	—	Ramp generator set_rising input.
	CCP2 ⁽¹⁾	TTL/ST	—	CCP2 capture input.
	SOSCI	XTAL	—	Secondary oscillator input.
RC2/AN14/C5IN2-/C6IN2-/PRG2F/CCP1/T5CKI	RC2	TTL/ST	CMOS	General purpose I/O.
	AN14	AN	—	ADC Channel 14 input.
	C5IN2-	AN	—	Comparator 5 negative input.
	C6IN2-	AN	—	Comparator 6 negative input.
	PRG2F ⁽¹⁾	TTL/ST	—	Ramp generator set_falling input.
	CCP1 ⁽¹⁾	TTL/ST	—	CCP1 capture input.
	T5CKI ⁽¹⁾	TTL/ST	—	Timer5 clock input.

Legend: AN = Analog input or output CMOS = CMOS compatible input or output OD = Open-Drain
TTL = TTL compatible input ST = Schmitt Trigger input with CMOS levels I²C = Schmitt Trigger input with I²C
HP = High Power XTAL = Crystal levels

- Note** 1: Default peripheral input. Alternate pins can be selected as the peripheral input with the PPS input selection registers.
2: All pin digital outputs default to PORT latch data. Alternate outputs can be selected as the peripheral digital output with the PPS output selection registers.
3: These peripheral functions are bidirectional. The output pin selections must be the same as the input pin selections.

PIC16(L)F1777/8/9

TABLE 1-2: PIC16(L)F1778 PINOUT DESCRIPTION (CONTINUED)

Name	Function	Input Type	Output Type	Description
RC3/AN15/C1IN4-/C2IN4-/C3IN4-/C4IN4-/C5IN4-/C6IN4-/T2IN//MD2CL/SCL	RC3	TTL/ST	CMOS	General purpose I/O.
	AN15	AN	—	ADC Channel 15 input.
	C1IN4-	AN	—	Comparator 1 negative input.
	C2IN4-	AN	—	Comparator 2 negative input.
	C3IN4-	AN	—	Comparator 3 negative input.
	C4IN4-	AN	—	Comparator 4 negative input.
	C5IN4-	AN	—	Comparator 5 negative input.
	C6IN4-	AN	—	Comparator 6 negative input.
	T2IN ⁽¹⁾	TTL/ST	—	Timer2 gate input.
MD2CL ⁽¹⁾	TTL/ST	—	Data signal modulator 2 low carrier input.	
SCL	I ² C	OD	I ² C clock.	
RC4/AN16/C5IN3-/C6IN3-/T8IN/PRG3R/MD2CH/SDA	RC4	TTL/ST	CMOS	General purpose I/O.
	AN16	AN	—	ADC Channel 16 input.
	C5IN3-	AN	—	Comparator 5 negative input.
	C6IN3-	AN	—	Comparator 6 negative input.
	T8IN ⁽¹⁾	TTL/ST	—	Timer8 gate input.
	PRG3R ⁽¹⁾	TTL/ST	—	Ramp generator set_rising input.
	MD2CH ⁽¹⁾	TTL/ST	—	Data signal modulator 2 high carrier input.
SDA	I ² C	OD	I ² C data input/output.	
RC5/AN17/OPA3IN0+/T4IN/PRG3F/MD2MOD	RC5	TTL/ST	CMOS	General purpose I/O.
	AN17	AN	—	ADC Channel 17 input.
	OPA3IN0+	AN	—	Operational amplifier 3 inverting input.
	T4IN ⁽¹⁾	TTL/ST	—	Timer4 gate input.
	PRG3F ⁽¹⁾	TTL/ST	—	Ramp generator set_falling input.
MD2MOD ⁽¹⁾	TTL/ST	—	Data signal modulator modulation input.	
RC6/AN18/PRG3IN0/C5IN1-/C6IN1-/OPA3OUT	RC6	TTL/ST	CMOS	General purpose I/O.
	AN18	AN	—	ADC Channel 18 input.
	PRG3IN0	AN	—	Ramp generator 3 reference voltage input.
	C5IN1-	AN	—	Comparator 5 negative input.
	C6IN1-	AN	—	Comparator 6 negative input.
OPA3OUT	—	AN	Operational amplifier 3 output.	
RC7/AN19/OPA3IN0-	RC7	TTL/ST	CMOS	General purpose I/O.
	AN19	AN	—	ADC Channel 19 input.
	OPA3IN0-	AN	—	Operational amplifier 3 non-inverting input.
RE3/MCLR	RE3	TTL/ST	CMOS	General purpose input.
	MCLR	ST	—	Master clear input.
VDD	VDD	Power	—	Positive supply.
VSS	VSS	Power	—	Ground reference.

Legend: AN = Analog input or output CMOS = CMOS compatible input or output OD = Open-Drain
TTL = TTL compatible input ST = Schmitt Trigger input with CMOS levels I²C = Schmitt Trigger input with I²C
HP = High Power XTAL = Crystal levels

- Note**
- 1: Default peripheral input. Alternate pins can be selected as the peripheral input with the PPS input selection registers.
 - 2: All pin digital outputs default to PORT latch data. Alternate outputs can be selected as the peripheral digital output with the PPS output selection registers.
 - 3: These peripheral functions are bidirectional. The output pin selections must be the same as the input pin selections.

PIC16(L)F1777/8/9

TABLE 1-2: PIC16(L)F1778 PINOUT DESCRIPTION (CONTINUED)

Name	Function	Input Type	Output Type	Description	
OUT ⁽²⁾	C1OUT		CMOS	Comparator 1 output.	
	C2OUT		CMOS	Comparator 2 output.	
	C3OUT		CMOS	Comparator 3 output.	
	C4OUT		CMOS	Comparator 4 output.	
	C5OUT		CMOS	Comparator 5 output.	
	C6OUT		CMOS	Comparator 6 output.	
	CCP1		CMOS	Compare/PWM1 output.	
	CCP2		CMOS	Compare/PWM2 output.	
	CCP7		CMOS	Compare/PWM7 output.	
	MD1OUT		CMOS	Data signal modulator 1 output.	
	MD2OUT		CMOS	Data signal modulator 2 output.	
	MD3OUT		CMOS	Data signal modulator 3 output.	
	PWM3OUT		CMOS	PWM3 output.	
	PWM4OUT		CMOS	PWM4 output.	
	PWM5OUT		CMOS	PWM5 output.	
	PWM6OUT		CMOS	PWM6 output.	
	PWM9OUT		CMOS	PWM9 output.	
	PWM11OUT		CMOS	PWM11 output.	
	COG1A		CMOS	Complementary output generator 1 output A.	
	COG1B		CMOS	Complementary output generator 1 output B.	
	COG1C		CMOS	Complementary output generator 1 output C.	
	COG1D		CMOS	Complementary output generator 1 output D.	
	COG2A		CMOS	Complementary output generator 2 output A.	
	COG2B		CMOS	Complementary output generator 2 output B.	
	COG2C		CMOS	Complementary output generator 2 output C.	
	COG2D		CMOS	Complementary output generator 2 output D.	
	COG3A		CMOS	Complementary output generator 3 output A.	
	COG3B		CMOS	Complementary output generator 3 output B.	
	COG3C		CMOS	Complementary output generator 3 output C.	
	COG3D		CMOS	Complementary output generator 3 output D.	
	SDA ⁽³⁾			OD	I ² C data output.
	SCK			CMOS	SPI clock output.
	SCL ⁽³⁾			OD	I ² C clock output.
	SDO			CMOS	SPI data output.
	TX			CMOS	EUSART asynchronous TX data out.
	CK			CMOS	EUSART synchronous clock out.
	DT ⁽³⁾			CMOS	EUSART synchronous data output.
	CLC1OUT			CMOS	Configurable logic cell 1 output.
	CLC2OUT			CMOS	Configurable logic cell 2 output.
	CLC3OUT			CMOS	Configurable logic cell 3 output.
	CLC4OUT			CMOS	Configurable logic cell 4 output.

Legend: AN = Analog input or output CMOS = CMOS compatible input or output OD = Open-Drain
TTL = TTL compatible input ST = Schmitt Trigger input with CMOS levels I²C = Schmitt Trigger input with I²C
HP = High Power XTAL = Crystal levels

- Note 1:** Default peripheral input. Alternate pins can be selected as the peripheral input with the PPS input selection registers.
Note 2: All pin digital outputs default to PORT latch data. Alternate outputs can be selected as the peripheral digital output with the PPS output selection registers.
Note 3: These peripheral functions are bidirectional. The output pin selections must be the same as the input pin selections.

PIC16(L)F1777/8/9

TABLE 1-3: PIC16(L)F1777/9 PINOUT DESCRIPTION

Name	Function	Input Type	Output Type	Description
RA0/AN0/C1IN0-/C2IN0-/ C3IN0-/C4IN0-/C5IN0-/ C6IN0-/C7IN0-/C8IN0-/CLCIN0	RA0	TTL/ST	CMOS	General purpose I/O.
	AN0	AN	—	ADC Channel 0 input.
	C1IN0-	AN	—	Comparator 1 negative input.
	C2IN0-	AN	—	Comparator 2 negative input.
	C3IN0-	AN	—	Comparator 3 negative input.
	C4IN0-	AN	—	Comparator 4 negative input.
	C5IN0-	AN	—	Comparator 5 negative input.
	C6IN0-	AN	—	Comparator 6 negative input.
	C7IN0-	AN	—	Comparator 7 negative input.
	C8IN0-	AN	—	Comparator 8 negative input.
CLCIN0 ⁽¹⁾	TTL/ST	—	CLC input 0.	
RA1/AN1/C1IN1-/C2IN1-/ C3IN1-/C4IN1-/PRG1IN0/ PRG2IN1/OPA1OUT/OPA2IN1+/ OPA2IN1-/CLCIN1	RA1	TTL/ST	CMOS	General purpose I/O.
	AN1	AN	—	Channel 1 input.
	C1IN1-	AN	—	Comparator 1 negative input.
	C2IN1-	AN	—	Comparator 2 negative input.
	C3IN1-	AN	—	Comparator 3 negative input.
	C4IN1-	AN	—	Comparator 4 negative input.
	PRG1IN0	AN	—	Ramp generator 1 reference voltage input.
	PRG2IN1	AN	—	Ramp generator 2 reference voltage input.
	OPA1OUT	—	AN	Operational amplifier 1 output.
	OPA2IN1+	AN	—	Operational amplifier 2 non-inverting input.
	OPA2IN1-	AN	—	Operational amplifier 2 inverting input.
CLCIN1 ⁽¹⁾	TTL/ST	—	CLC input 0.	

Legend: AN = Analog input or output CMOS = CMOS compatible input or output OD = Open-Drain
TTL = TTL compatible input ST = Schmitt Trigger input with CMOS levels I²C = Schmitt Trigger input with I²C
HP = High Power XTAL = Crystal levels

- Note** 1: Default peripheral input. Alternate pins can be selected as the peripheral input with the PPS input selection registers.
2: All pin digital outputs default to PORT latch data. Alternate outputs can be selected as the peripheral digital output with the PPS output selection registers.
3: These peripheral functions are bidirectional. The output pin selections must be the same as the input pin selections.

TABLE 1-3: PIC16(L)F1777/9 PINOUT DESCRIPTION (CONTINUED)

Name	Function	Input Type	Output Type	Description	
RA2/AN2/DAC1REF0-/ DAC2REF0-/DAC3REF0-/ DAC4REF0-/DAC5REF0-/ DAC6REF0-/DAC7REF0-/ DAC8REF0-/C1IN0+/C2IN0+/ C3IN0+/C4IN0+/C5IN0+/ C6IN0+/C7IN0+/C8IN0+/ DAC1OUT1	RA2	TTL/ST	CMOS	General purpose I/O.	
	AN2	AN	—	ADC Channel 2 input.	
	DAC1REF0-	AN	—	DAC1 negative reference.	
	DAC2REF0-	AN	—	DAC2 negative reference.	
	DAC3REF0-	AN	—	DAC3 negative reference.	
	DAC4REF0-	AN	—	DAC4 negative reference.	
	DAC5REF0-	AN	—	DAC5 negative reference.	
	DAC6REF0-	AN	—	DAC6 negative reference.	
	DAC7REF0-	AN	—	DAC7 negative reference.	
	DAC8REF0-	AN	—	DAC8 negative reference.	
	C1IN0+	AN	—	Comparator 1 positive input.	
	C2IN0+	AN	—	Comparator 2 positive input.	
	C3IN0+	AN	—	Comparator 3 positive input.	
	C4IN0+	AN	—	Comparator 4 positive input.	
	C5IN0+	AN	—	Comparator 5 positive input.	
	C6IN0+	AN	—	Comparator 6 positive input.	
	C7IN0+	AN	—	Comparator 7 positive input.	
	C8IN0+	AN	—	Comparator 8 positive input.	
	DAC1OUT1	—	AN	—	DAC1 voltage output.
	RA3/AN3/DAC1REF0+/ DAC2REF0+/DAC3REF0+/ DAC4REF0+/DAC5REF0+/ DAC6REF0+/DAC7REF0+/ DAC8REF0+/C1IN1+/MD1CL	RA3	TTL/ST	CMOS	General purpose I/O.
AN3		AN	—	ADC Channel 3 input.	
VREF+		AN	—	ADC positive reference.	
DAC1REF0+		AN	—	DAC1 positive reference.	
DAC2REF0+		AN	—	DAC2 positive reference.	
DAC3REF0+		AN	—	DAC3 positive reference.	
DAC4REF0+		AN	—	DAC4 positive reference.	
DAC5REF0+		AN	—	DAC5 positive reference.	
DAC6REF0+		AN	—	DAC6 positive reference.	
DAC7REF0+		AN	—	DAC7 positive reference.	
DAC8REF0+		AN	—	DAC8 positive reference.	
C1IN1+		AN	—	Comparator 1 positive input.	
MD1CL ⁽¹⁾		TTL/ST	—	Data signal modulator 1 low carrier input.	
RA4/OPA1IN0+/PRG1R/MD1CH		RA4	TTL/ST	CMOS	General purpose I/O.
	OPA1IN0+	AN	—	Operational Amplifier 1 non-inverting input.	
	PRG1R ⁽¹⁾	TTL/ST	—	Ramp generator set_rising input.	
	MD1CH ⁽¹⁾	TTL/ST	—	Data signal modulator 1 high carrier input.	

Legend: AN = Analog input or output CMOS = CMOS compatible input or output OD = Open-Drain
TTL = TTL compatible input ST = Schmitt Trigger input with CMOS levels I²C = Schmitt Trigger input with I²C
HP = High Power XTAL = Crystal levels

- Note** 1: Default peripheral input. Alternate pins can be selected as the peripheral input with the PPS input selection registers.
2: All pin digital outputs default to PORT latch data. Alternate outputs can be selected as the peripheral digital output with the PPS output selection registers.
3: These peripheral functions are bidirectional. The output pin selections must be the same as the input pin selections.

PIC16(L)F1777/8/9

TABLE 1-3: PIC16(L)F1777/9 PINOUT DESCRIPTION (CONTINUED)

Name	Function	Input Type	Output Type	Description
RA5/AN4/OPA1IN0-/ DAC2OUT1/PRG1F/ MD1MOD/SS	RA5	TTL/ST	CMOS	General purpose I/O.
	AN4	AN	—	ADC Channel 4 input.
	OPA1IN0-	AN	—	Operational amplifier 1 inverting input.
	DAC2OUT1	—	AN	DAC2 voltage output.
	PRG1F ⁽¹⁾	TTL/ST	—	Ramp generator set_falling input.
	MD1MOD ⁽¹⁾	TTL/ST	—	Data signal modulator modulation input.
RA6/CLKOUT/C6IN1+/OSC2	RA6	TTL/ST	CMOS	General purpose I/O.
	CLKOUT	—	CMOS	Fosc/4 output.
	C6IN1+	AN	—	Comparator 6 positive input.
	OSC2	XTAL	—	Crystal/Resonator (LP, XT, HS modes).
RA7/CLKIN/OSC1	RA7	TTL/ST	CMOS	General purpose I/O.
	CLKIN	TTL/ST	—	CLC input.
	OSC1	XTAL	—	Crystal/Resonator (LP, XT, HS modes).
RB0/AN12/ZCD/HIB0/C2IN1+/ CCP8/COG1IN/MD4CL/ INT	RB0	TTL/ST	CMOS	General purpose I/O.
	AN12	AN	—	ADC Channel 12 input.
	ZCD	AN	—	Zero-cross detection input.
	HIB0	HP	HP	High-Power output.
	C2IN1+	AN	—	Comparator 2 positive input.
	CCP8 ⁽¹⁾	TTL/ST	—	CCP8 capture input.
	COG1IN ⁽¹⁾	TTL/ST	—	Complementary output generator 1 input.
	MD4CL ⁽¹⁾	TTL/ST	—	Data signal modulator 4 low carrier input.
RB1/AN10/PRG1IN1/PRG2IN0/ PRG4R/HIB1/C1IN3-/C2IN3-/ C3IN3-/C4IN3-/OPA2OUT/ OPA1IN1+/OPA1IN1-/COG2IN/ MD4CH	RB1	TTL/ST	CMOS	General purpose I/O.
	AN10	AN	—	ADC Channel 10 input.
	PRG1IN1	AN	—	Ramp generator 1 reference voltage input.
	PRG2IN0	AN	—	Ramp generator 2 reference voltage input.
	PRG4R ⁽¹⁾	TTL/ST	—	Ramp generator set_rising input.
	HIB1	HP	HP	High-Power output.
	C1IN3-	AN	—	Comparator 1 negative input.
	C2IN3-	AN	—	Comparator 2 negative input.
	C3IN3-	AN	—	Comparator 3 negative input.
	C4IN3-	AN	—	Comparator 4 negative input.
	OPA2OUT	—	AN	Operational amplifier 2 output.
	OPA1IN1+	AN	—	Operational amplifier 1 non-inverting input.
	OPA1IN1-	AN	—	Operational amplifier 1 inverting input.
	COG2IN ⁽¹⁾	TTL/ST	—	Complementary output generator 2 input.
	MD4CH ⁽¹⁾	TTL/ST	—	Data signal modulator 4 high carrier input.

Legend: AN = Analog input or output CMOS = CMOS compatible input or output OD = Open-Drain
TTL = TTL compatible input ST = Schmitt Trigger input with CMOS levels I²C = Schmitt Trigger input with I²C
HP = High Power XTAL = Crystal levels

- Note** 1: Default peripheral input. Alternate pins can be selected as the peripheral input with the PPS input selection registers.
2: All pin digital outputs default to PORT latch data. Alternate outputs can be selected as the peripheral digital output with the PPS output selection registers.
3: These peripheral functions are bidirectional. The output pin selections must be the same as the input pin selections.

TABLE 1-3: PIC16(L)F1777/9 PINOUT DESCRIPTION (CONTINUED)

Name	Function	Input Type	Output Type	Description
RB2/AN8/OPA2IN0-/ DAC3OUT1/PRG4F/COG3IN/ MD4MOD	RB2	TTL/ST	CMOS	General purpose I/O.
	AN8	AN	—	ADC Channel 8 input.
	OPA2IN0-	AN	—	Operational amplifier 2 inverting input.
	DAC3OUT1	—	AN	DAC3 voltage output.
	PRG4F ⁽¹⁾	TTL/ST	—	Ramp generator set_falling input.
	COG3IN ⁽¹⁾	TTL/ST	—	Complementary output generator 3 input.
RB3/AN9/C1IN2-/C2IN2-/ C3IN2-/OPA2IN0+/MD3CL	RB3	TTL/ST	CMOS	General purpose I/O.
	AN9	AN	—	ADC Channel 9 input.
	C1IN2-	AN	—	Comparator 1 negative input.
	C2IN2-	AN	—	Comparator 2 negative input.
	C3IN2-	AN	—	Comparator 3 negative input.
	OPA2IN0+	AN	—	Operational amplifier 2 non-inverting input.
RB4/AN11/C3IN1+/MD3CH	RB4	TTL/ST	CMOS	General purpose I/O.
	AN11	AN	—	ADC Channel 11 input.
	C3IN1+	AN	—	Comparator 3 positive input.
	MD3CH ⁽¹⁾	TTL/ST	—	Data signal modulator 3 high carrier input.
RB5/AN13/DAC5REF1-/ DAC7REF1-/C4IN2-/CCP7/ MD3MOD	RB5	TTL/ST	CMOS	General purpose I/O.
	AN13	AN	—	ADC Channel 11 input.
	DAC5REF1-	AN	—	DAC5 negative reference.
	DAC7REF1-	AN	—	DAC7 negative reference.
	C4IN2-	AN	—	Comparator 4 negative input.
	CCP7 ⁽¹⁾	TTL/ST	—	CCP7 capture input.
RB6/DAC5REF1+/DAC7REF1+/ C4IN1+/CLCIN2/ICSPCLK	RB6	TTL/ST	CMOS	General purpose I/O.
	DAC5REF1+	AN	—	DAC5 positive reference.
	DAC7REF1+	AN	—	DAC7 positive reference.
	C4IN1+	AN	—	Comparator 2 positive input.
	CLCIN2 ⁽¹⁾	TTL/ST	—	CLC input 2.
	ICSPCLK	ST	—	Serial Programming Clock.

Legend: AN = Analog input or output CMOS = CMOS compatible input or output OD = Open-Drain
TTL = TTL compatible input ST = Schmitt Trigger input with CMOS levels I²C = Schmitt Trigger input with I²C
HP = High Power XTAL = Crystal levels

- Note**
- 1: Default peripheral input. Alternate pins can be selected as the peripheral input with the PPS input selection registers.
 - 2: All pin digital outputs default to PORT latch data. Alternate outputs can be selected as the peripheral digital output with the PPS output selection registers.
 - 3: These peripheral functions are bidirectional. The output pin selections must be the same as the input pin selections.

PIC16(L)F1777/8/9

TABLE 1-3: PIC16(L)F1777/9 PINOUT DESCRIPTION (CONTINUED)

Name	Function	Input Type	Output Type	Description
RB7/C5IN1+/DAC1OUT2/ DAC2OUT2/DAC3OUT2/ DAC4OUT2/DAC5OUT2/ DAC6OUT2/DAC7OUT2/ DAC8OUT2/T6IN/CLCIN3/ ICSPDAT	RB7	TTL/ST	CMOS	General purpose I/O.
	C5IN1+	AN	—	Comparator 5 positive input.
	DAC1OUT2	—	AN	DAC1 voltage output.
	DAC2OUT2	—	AN	DAC2 voltage output.
	DAC3OUT2	—	AN	DAC3 voltage output.
	DAC4OUT2	—	AN	DAC4 voltage output.
	DAC5OUT2	—	AN	DAC5 voltage output.
	DAC6OUT2	—	AN	DAC6 voltage output.
	DAC7OUT2	—	AN	DAC7 voltage output.
	DAC8OUT2	—	AN	DAC8 voltage output.
	T6IN ⁽¹⁾	TTL/ST	—	Timer6 gate input.
	CLCIN3 ⁽¹⁾	TTL/ST	—	CLC input 3.
ICSPDAT	ST	CMOS	ICSP™ Data I/O.	
RC0/DAC5OUT1/T1CKI/T3CKI/ T3G/SOSCO	RC0	TTL/ST	CMOS	General purpose I/O.
	DAC5OUT1	—	AN	DAC5 voltage output.
	T1CKI ⁽¹⁾	AN	—	Comparator 4 negative input.
	T3CKI ⁽¹⁾	TTL/ST	—	Timer3 clock input.
	T3G ⁽¹⁾	TTL/ST	—	Timer3 gate input.
SOSCO	—	XTAL	Secondary oscillator output.	
RC1/DAC7OUT1/PRG2R/CCP2/ SOSCI	RC1	TTL/ST	CMOS	General purpose I/O.
	DAC7OUT1	—	AN	DAC7 voltage output.
	PRG2R ⁽¹⁾	TTL/ST	—	Ramp generator set_rising input.
	CCP2 ⁽¹⁾	TTL/ST	—	CCP2 capture input.
SOSCI	XTAL	—	Secondary oscillator input.	
RC2/AN14/C5IN2-/C6IN2-/ PRG2F/CCP1	RC2	TTL/ST	CMOS	General purpose I/O.
	AN14	AN	—	ADC Channel 14 input.
	C5IN2- C6IN2-	AN	—	Comparator 5 negative input. Comparator 6 negative input.
RC3/AN15/C1IN4-/C2IN4-/ C3IN4-/C4IN4-/C5IN4-/C6IN4-/ C7IN4-/C8IN4-/T2IN/MD2CL/ SCL	RC3	TTL/ST	CMOS	General purpose I/O.
	AN15	AN	—	ADC Channel 15 input.
	C1IN4- C2IN4- C3IN4- C4IN4- C5IN4- C6IN4- C7IN4- C8IN4-	AN	—	Comparator 1 negative input. Comparator 2 negative input. Comparator 3 negative input. Comparator 4 negative input. Comparator 5 negative input. Comparator 6 negative input. Comparator 7 negative input. Comparator 8 negative input.
	T2IN ⁽¹⁾	TTL/ST	—	Timer2 gate input.
	MD2CL ⁽¹⁾	TTL/ST	—	Data signal modulator 2 low carrier input.
	SCL	I ² C	OD	I ² C clock.

Legend: AN = Analog input or output CMOS = CMOS compatible input or output OD = Open-Drain
TTL = TTL compatible input ST = Schmitt Trigger input with CMOS levels I²C = Schmitt Trigger input with I²C
HP = High Power XTAL = Crystal levels

- Note** 1: Default peripheral input. Alternate pins can be selected as the peripheral input with the PPS input selection registers.
2: All pin digital outputs default to PORT latch data. Alternate outputs can be selected as the peripheral digital output with the PPS output selection registers.
3: These peripheral functions are bidirectional. The output pin selections must be the same as the input pin selections.

TABLE 1-3: PIC16(L)F1777/9 PINOUT DESCRIPTION (CONTINUED)

Name	Function	Input Type	Output Type	Description
RC4/AN16/C5IN3-/C6IN3-/PRG3R/T8IN/MD2CH/SDA	RC4	TTL/ST	CMOS	General purpose I/O.
	AN16	AN	—	ADC Channel 16 input.
	C5IN3-	AN	—	Comparator 5 negative input.
	C6IN3-	AN	—	Comparator 6 negative input.
	PRG3R ⁽¹⁾	TTL/ST	—	Ramp generator set_rising input.
	T8IN ⁽¹⁾	TTL/ST	—	Timer8 gate input.
	MD2CH ⁽¹⁾	TTL/ST	—	Data signal modulator 2 high carrier input.
RC5/AN17/OPA3IN0+/PRG3F/T4IN/MD2MOD	RC5	TTL/ST	CMOS	General purpose I/O.
	AN17	AN	—	ADC Channel 17 input.
	OPA3IN0	AN	—	Operational amplifier 3 inverting input.
	PRG3F ⁽¹⁾	TTL/ST	—	Ramp generator set_falling input.
	T4IN ⁽¹⁾	TTL/ST	—	Timer4 gate input.
	MD2MOD ⁽¹⁾	TTL/ST	—	Data signal modulator modulation input.
RC6/AN18/PRG3IN0/PRG4IN1/C5IN1-/C6IN1-/C7IN1-/C8IN1-/OPA3OUT/OPA4IN1+/OPA4IN1-	RC6	TTL/ST	CMOS	General purpose I/O.
	AN18	AN	—	ADC Channel 18 input.
	PRG3IN0	AN	—	Ramp generator 3 reference voltage input.
	PRG4IN1	AN	—	Ramp generator 4 reference voltage input.
	C5IN1-	AN	—	Comparator 5 negative input.
	C6IN1-	AN	—	Comparator 6 negative input.
	C7IN1-	AN	—	Comparator 7 negative input.
	C8IN1-	AN	—	Comparator 8 negative input.
	OPA3OUT	—	AN	Operational amplifier 3 output.
	OPA4IN1+	AN	—	Operational amplifier 4 non-inverting input.
	OPA4IN1-	AN	—	Operational amplifier 4 inverting input.
RC7/AN19/OPA3IN0-	RC7	TTL/ST	CMOS	General purpose I/O.
	AN19	AN	—	ADC Channel 19 input.
	OPA3IN0-	AN	—	Operational amplifier 3 non-inverting input.
RD0/AN20/OPA4IN0+	RD0	TTL/ST	CMOS	General purpose I/O.
	AN20	AN	—	ADC Channel 20 input.
	OPA4IN0+	AN	—	Operational amplifier 4 non-inverting input.

Legend: AN = Analog input or output CMOS = CMOS compatible input or output OD = Open-Drain
TTL = TTL compatible input ST = Schmitt Trigger input with CMOS levels I²C = Schmitt Trigger input with I²C
HP = High Power XTAL = Crystal levels

- Note**
- 1: Default peripheral input. Alternate pins can be selected as the peripheral input with the PPS input selection registers.
 - 2: All pin digital outputs default to PORT latch data. Alternate outputs can be selected as the peripheral digital output with the PPS output selection registers.
 - 3: These peripheral functions are bidirectional. The output pin selections must be the same as the input pin selections.

PIC16(L)F1777/8/9

TABLE 1-3: PIC16(L)F1777/9 PINOUT DESCRIPTION (CONTINUED)

Name	Function	Input Type	Output Type	Description
RD1/AN21/PRG3IN1/PRG4IN0/ C1IN4-/C2IN4-/C3IN4-/C4IN4-/ C5IN4-/C6IN4-/C7IN4-/C8IN4-/ OPA4OUT/OPA3IN1+/OPA3IN1-	RD1	TTL/ST	CMOS	General purpose I/O.
	AN21	AN	—	ADC Channel 21 input.
	PRG3IN1	AN	—	Ramp generator 3 reference voltage input.
	PRG4IN0	AN	—	Ramp generator 4 reference voltage input.
	C1IN4-	AN	—	Comparator 1 negative input.
	C2IN4-	AN	—	Comparator 2 negative input.
	C3IN4-	AN	—	Comparator 3 negative input.
	C4IN4-	AN	—	Comparator 4 negative input.
	C5IN4-	AN	—	Comparator 5 negative input.
	C6IN4-	AN	—	Comparator 6 negative input.
	C7IN4-	AN	—	Comparator 7 negative input.
	C8IN4-	AN	—	Comparator 8 negative input.
	OPA4OUT	—	AN	Operational amplifier 4 output.
	OPA3IN1+	AN	—	Operational amplifier 3 non-inverting input.
OPA3IN1-	AN	—	Operational amplifier 3 inverting input.	
RD2/AN22/DAC4OUT1/ OPA4IN0-	RD2	TTL/ST	CMOS	General purpose I/O.
	AN22	AN	—	ADC Channel 22 input.
	DAC4OUT1	—	AN	DAC4 voltage output.
	OPA4IN0-	AN	—	Operational amplifier 4 inverting input.
RD3/AN23/C8IN2-	RD3	TTL/ST	CMOS	General purpose I/O.
	AN23	AN	—	ADC Channel 23 input.
	C8IN2-	AN	—	Comparator 8 negative input.
RD4/AN24/C7IN2-	RD4	TTL/ST	CMOS	General purpose I/O.
	AN24	AN	—	ADC Channel 24 input.
	C7IN2-	AN	—	Comparator 8 negative input.
RD5/AN25/C7IN3-/C8IN3-	RD5	TTL/ST	CMOS	General purpose I/O.
	AN25	AN	—	ADC Channel 25 input.
	C7IN3-	AN	—	Comparator 7 negative input.
	C8IN3-	AN	—	Comparator 8 negative input.
RD6/AN26/C7IN1+	RD6	TTL/ST	CMOS	General purpose I/O.
	AN26	AN	—	ADC Channel 26 input.
	C7IN1+	AN	—	Comparator 7 positive input.
RD7/AN27/C8IN1+	RD7	TTL/ST	CMOS	General purpose I/O.
	AN27	AN	—	ADC Channel 27 input.
	C8IN1+	AN	—	Comparator 8 positive input.
RE0/AN5/DAC6REF1+/ DAC8REF1+	RE0	TTL/ST	CMOS	General purpose I/O.
	AN5	AN	—	ADC Channel 5 input.
	DAC6REF1+	AN	—	DAC6 positive reference.
	DAC8REF1+	AN	—	DAC8 positive reference.

Legend: AN = Analog input or output CMOS = CMOS compatible input or output OD = Open-Drain
TTL = TTL compatible input ST = Schmitt Trigger input with CMOS levels I²C = Schmitt Trigger input with I²C
HP = High Power XTAL = Crystal levels

- Note** 1: Default peripheral input. Alternate pins can be selected as the peripheral input with the PPS input selection registers.
2: All pin digital outputs default to PORT latch data. Alternate outputs can be selected as the peripheral digital output with the PPS output selection registers.
3: These peripheral functions are bidirectional. The output pin selections must be the same as the input pin selections.

PIC16(L)F1777/8/9

TABLE 1-3: PIC16(L)F1777/9 PINOUT DESCRIPTION (CONTINUED)

Name	Function	Input Type	Output Type	Description
RE1/AN6/DAC6OUT1/ DAC6REF1-/DAC8REF1-	RE1	TTL/ST	CMOS	General purpose I/O.
	AN6	AN	—	ADC Channel 6 input.
	DAC6OUT1	—	AN	DAC6 voltage output.
	DAC6REF1-	AN	—	DAC6 negative reference.
	DAC8REF1-	AN	—	DAC8 negative reference.
RE2/AN7/DAC8OUT1	RE2	TTL/ST	CMOS	General purpose I/O.
	AN7	AN	—	ADC Channel 7 input.
	DAC8OUT1	—	AN	DAC8 voltage output.
RE3/MCLR/VPP	RE3	TTL/ST	CMOS	General purpose input.
	MCLR	ST	—	Master clear input.
VDD	VDD	Power	—	Positive supply.
VSS	VSS	Power	—	Ground reference.
OUT ⁽²⁾	C1OUT		CMOS	Comparator 1 output.
	C2OUT		CMOS	Comparator 2 output.
	C3OUT		CMOS	Comparator 3 output.
	C4OUT		CMOS	Comparator 4 output.
	C5OUT		CMOS	Comparator 5 output.
	C6OUT		CMOS	Comparator 6 output.
	C7OUT		CMOS	Comparator 7 output.
	C8OUT		CMOS	Comparator 8 output.
	CCP1		CMOS	Compare/PWM1 output.
	CCP2		CMOS	Compare/PWM2 output.
	CCP7		CMOS	Compare/PWM7 output.
	CCP8		CMOS	Compare/PWM8 output.
	MD1OUT		CMOS	Data signal modulator 1 output.
	MD2OUT		CMOS	Data signal modulator 2 output.
	MD3OUT		CMOS	Data signal modulator 3 output.
	MD4OUT		CMOS	Data signal modulator 4 output.
	PWM3OUT		CMOS	PWM3 output.
	PWM4OUT		CMOS	PWM4 output.
	PWM5OUT		CMOS	PWM5 output.
	PWM6OUT		CMOS	PWM6 output.
	PWM9OUT		CMOS	PWM9 output.
	PWM10OUT		CMOS	PWM10 output.
	PWM11OUT		CMOS	PWM11 output.
	PWM12OUT		CMOS	PWM12 output.
	COG1A		CMOS	Complementary output generator 1 output A.
	COG1B		CMOS	Complementary output generator 1 output B.
	COG1C		CMOS	Complementary output generator 1 output C.
COG1D		CMOS	Complementary output generator 1 output D.	
COG2A		CMOS	Complementary output generator 2 output A.	

Legend: AN = Analog input or output CMOS = CMOS compatible input or output OD = Open-Drain
TTL = TTL compatible input ST = Schmitt Trigger input with CMOS levels I²C = Schmitt Trigger input with I²C
HP = High Power XTAL = Crystal levels

- Note**
- 1: Default peripheral input. Alternate pins can be selected as the peripheral input with the PPS input selection registers.
 - 2: All pin digital outputs default to PORT latch data. Alternate outputs can be selected as the peripheral digital output with the PPS output selection registers.
 - 3: These peripheral functions are bidirectional. The output pin selections must be the same as the input pin selections.

PIC16(L)F1777/8/9

TABLE 1-3: PIC16(L)F1777/9 PINOUT DESCRIPTION (CONTINUED)

Name	Function	Input Type	Output Type	Description
OUT ⁽²⁾ (Cont.)	COG2B		CMOS	Complementary output generator 2 output B.
	COG2C		CMOS	Complementary output generator 2 output C.
	COG2D		CMOS	Complementary output generator 2 output D.
	COG3A		CMOS	Complementary output generator 3 output A.
	COG3B		CMOS	Complementary output generator 3 output B.
	COG3C		CMOS	Complementary output generator 3 output C.
	COG3D		CMOS	Complementary output generator 3 output D.
	COG4A		CMOS	Complementary output generator 4 output A.
	COG4B		CMOS	Complementary output generator 4 output B.
	COG4C		CMOS	Complementary output generator 4 output C.
	COG4D		CMOS	Complementary output generator 4 output D.
	SDA ⁽³⁾		OD	I ² C data output.
	SCK		CMOS	SPI clock output.
	SCL ⁽³⁾		OD	I ² C clock output.
	SDO		CMOS	SPI data output.
	TX		CMOS	EUSART asynchronous TX data out.
	CK		CMOS	EUSART synchronous clock out.
	DT ⁽³⁾		CMOS	EUSART synchronous data output.
	CLC1OUT		CMOS	Configurable logic cell 1 output.
	CLC2OUT		CMOS	Configurable logic cell 2 output.
CLC3OUT		CMOS	Configurable logic cell 3 output.	
CLC4OUT		CMOS	Configurable logic cell 4 output.	

Legend: AN = Analog input or output CMOS = CMOS compatible input or output OD = Open-Drain
 TTL = TTL compatible input ST = Schmitt Trigger input with CMOS levels I²C = Schmitt Trigger input with I²C
 HP = High Power XTAL = Crystal levels

- Note** 1: Default peripheral input. Alternate pins can be selected as the peripheral input with the PPS input selection registers.
 2: All pin digital outputs default to PORT latch data. Alternate outputs can be selected as the peripheral digital output with the PPS output selection registers.
 3: These peripheral functions are bidirectional. The output pin selections must be the same as the input pin selections.

1.2 Peripheral Connection Matrix

Input selection multiplexers on many of the peripherals enable selecting the output of another peripheral such that the signal path is contained entirely within the device. Although the peripheral output can also be routed to a pin, with the PPS selection feature, it is not necessary to do so. [Table 1-4](#) shows all the possible inter-peripheral signal connections. Please refer to corresponding peripheral section to obtain the multiplexer selection codes for the desired connection.

TABLE 1-4: PERIPHERAL CONNECTION MATRIX

Peripheral Output	Peripheral Input																									
	ADC Trigger	COG Clock	COG Rising/Falling	COG Shutdown	10-bit DAC	5-bit DAC	PRG Analog Input	PRG Rising/Falling	Comparator +	Comparator -	CLC	DSM CH	DSM CL	DSM Mod	Op Amp +	Op Amp -	Op Amp Override	10-bit PWM	16-bit PWM	CCP Capture	CCP Clock	Timer2/4/6/8 Clock	Timer2/4/6/8 Reset	Timer1/3/5 Gate	Timer0 Clock	
FVR					•	•	•		•	•					•	•										
ZCD											•						•					•				
PRG									•						•	•							•			
10-bit DAC							•		•						•	•										
5-bit DAC							•		•						•	•										
CCP	•		•								•	•	•	•			•							•		
Comparator (sync)	•										•						•			•			•	•		
Comparator (async)			•	•										•												
CLC	•		•	•							•	•	•	•			•			•		•	•			
DSM																										
COG																	•									
EUSART TX/CK											•			•												
EUSART DT											•			•												
MSSP SCK/SCL											•			•												
MSSP SDO/SDA											•			•												
Op Amp							•																			
10-bit PWM	•		•								•	•	•	•			•							•		
16-bit PWM	•		•								•	•	•	•			•							•		
Timer0 overflow	•										•														•	
Timer2 = T2PR				•							•							•			•		•			
Timer4 = T4PR				•							•							•			•		•			
Timer6 = T6PR				•							•							•			•		•			
Timer8 = T8PR				•							•							•			•		•			
Timer2 Postscale	•			•							•							•			•		•			
Timer4 Postscale	•			•							•							•			•		•			
Timer6 Postscale	•			•							•							•			•		•			
Timer8 Postscale	•			•							•							•			•		•			
Timer1 overflow	•										•							•			•		•			
Timer3 overflow	•										•							•			•		•			
Timer5 overflow	•										•							•			•		•			
SOSC																		•					•			
Fosc/4		•																					•			
Fosc		•									•	•	•						•				•			
HFINTOSC		•									•	•	•						•				•			
LFINTOSC											•								•				•			
MFINTOSC											•												•			
IOCIF											•									•	•					
PPS Input pin			•	•				•				•	•	•						•	•	•	•	•	•	•

PIC16(L)F1777/8/9

2.0 ENHANCED MID-RANGE CPU

This family of devices contain an enhanced mid-range 8-bit CPU core. The CPU has 49 instructions. Interrupt capability includes automatic context saving. The hardware stack is 16 levels deep and has Overflow and Underflow Reset capability. Direct, Indirect, and

Relative Addressing modes are available. Two File Select Registers (FSRs) provide the ability to read program and data memory.

- Automatic Interrupt Context Saving
- 16-level Stack with Overflow and Underflow
- File Select Registers
- Instruction Set

FIGURE 2-1: CORE BLOCK DIAGRAM



2.1 Automatic Interrupt Context Saving

During interrupts, certain registers are automatically saved in shadow registers and restored when returning from the interrupt. This saves stack space and user code. See [Section 7.5 “Automatic Context Saving”](#) for more information.

2.2 16-Level Stack with Overflow and Underflow

These devices have a hardware stack memory 15 bits wide and 16 words deep. A Stack Overflow or Underflow will set the appropriate bit (STKOVF or STKUNF) in the PCON register, and if enabled, will cause a software Reset. See [Section 3.6 “Stack”](#) for more details.

2.3 File Select Registers

There are two 16-bit File Select Registers (FSR). FSRs can access all file registers and program memory, which allows one Data Pointer for all memory. When an FSR points to program memory, there is one additional instruction cycle in instructions using INDF to allow the data to be fetched. General purpose memory can now also be addressed linearly, providing the ability to access contiguous data larger than 80 bytes. There are also new instructions to support the FSRs. See [Section 3.7 “Indirect Addressing”](#) for more details.

2.4 Instruction Set

There are 49 instructions for the enhanced mid-range CPU to support the features of the CPU. See [Section 35.0 “Instruction Set Summary”](#) for more details.

PIC16(L)F1777/8/9

3.0 MEMORY ORGANIZATION

These devices contain the following types of memory:

- Program Memory
 - Configuration Words
 - Device ID
 - User ID
 - Flash Program Memory
- Data Memory
 - Core Registers
 - Special Function Registers
 - General Purpose RAM
 - Common RAM

Note 1: The method to access Flash memory through the PMCON registers is described in **Section 10.0 “Flash Program Memory Control”**.

The following features are associated with access and control of program memory and data memory:

- PCL and PCLATH
- Stack
- Indirect Addressing

3.1 Program Memory Organization

The enhanced mid-range core has a 15-bit program counter capable of addressing a 32K x 14 program memory space. [Table 3-1](#) shows the memory sizes implemented for the PIC16(L)F1777/8/9 family. Accessing a location above these boundaries will cause a wrap-around within the implemented memory space. The Reset vector is at 0000h and the interrupt vector is at 0004h (see [Figures 3-1](#) and [3-2](#)).

3.2 High-Endurance Flash

This device has a 128-byte section of high-endurance program Flash memory (PFM) in lieu of data EEPROM. This area is especially well suited for nonvolatile data storage that is expected to be updated frequently over the life of the end product. See **Section 10.2 “Flash Program Memory Overview”** for more information on writing data to PFM. See **Section 3.2.1.2 “Indirect Read with FSR”** for more information about using the FSR registers to read byte data stored in PFM.

TABLE 3-1: DEVICE SIZES AND ADDRESSES

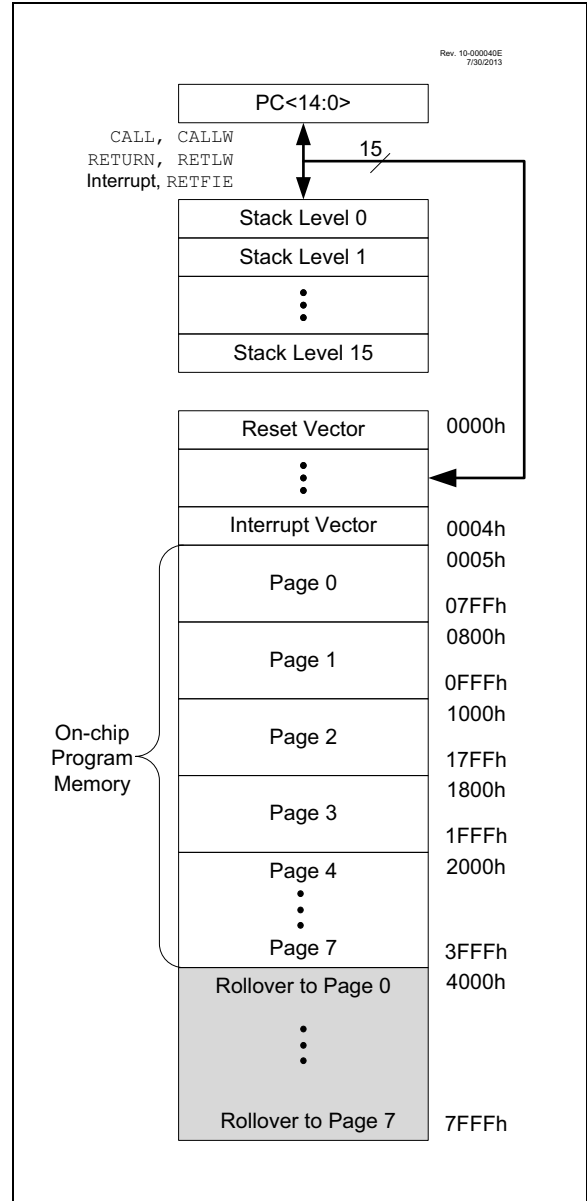
Device	Program Memory Space (Words)	Last Program Memory Address	High-Endurance Flash Memory Address Range ⁽¹⁾
PIC16(L)F1777	8,192	1FFFh	1F80h-1FFFh
PIC16(L)F1778/9	16,384	3FFFh	3F80h-3FFFh

Note 1: High-endurance Flash applies to the low byte of each address in the range.

FIGURE 3-1: PROGRAM MEMORY MAP AND STACK FOR PIC16(L)F1777



FIGURE 3-2: PROGRAM MEMORY MAP AND STACK FOR PIC16(L)F1778/9



PIC16(L)F1777/8/9

3.2.1 READING PROGRAM MEMORY AS DATA

There are two methods of accessing constants in program memory. The first method is to use tables of RETLW instructions. The second method is to set an FSR to point to the program memory.

3.2.1.1 RETLW Instruction

The RETLW instruction can be used to provide access to tables of constants. The recommended way to create such a table is shown in [Example 3-1](#).

EXAMPLE 3-1: RETLW INSTRUCTION

```
constants
  BRW          ;Add Index in W to
               ;program counter to
               ;select data
  RETLW DATA0 ;Index0 data
  RETLW DATA1 ;Index1 data
  RETLW DATA2
  RETLW DATA3

my_function
  ;... LOTS OF CODE...
  MOVLW      DATA_INDEX
  call constants
  ;... THE CONSTANT IS IN W
```

The BRW instruction makes this type of table very simple to implement. If your code must remain portable with previous generations of microcontrollers, then the BRW instruction is not available so the older table read method must be used.

3.2.1.2 Indirect Read with FSR

The program memory can be accessed as data by setting bit 7 of the FSRxH register and reading the matching INDFx register. The MOVIW instruction will place the lower eight bits of the addressed word in the W register. Writes to the program memory cannot be performed via the INDF registers. Instructions that access the program memory via the FSR require one extra instruction cycle to complete. [Example 3-2](#) demonstrates accessing the program memory via an FSR.

The high directive will set bit<7> if a label points to a location in program memory.

EXAMPLE 3-2: ACCESSING PROGRAM MEMORY VIA FSR

```
constants
  DW DATA0          ;First constant
  DW DATA1          ;Second constant
  DW DATA2
  DW DATA3

my_function
  ;... LOTS OF CODE...
  MOVLW      DATA_INDEX
  ADDLW     LOW constants
  MOVWF     FSR1L
  MOVLW     HIGH constants;MSb sets
               automatically
  MOVWF     FSR1H
  BTFSC     STATUS, C ;carry from ADDLW?
  INCF     FSR1H, f ;yes
  MOVIW     0[FSR1]
  ;THE PROGRAM MEMORY IS IN W
```

3.3 Data Memory Organization

The data memory is partitioned in 32 memory banks with 128 bytes in a bank. Each bank consists of (Figure 3-3):

- 12 core registers
- 20 Special Function Registers (SFR)
- Up to 80 bytes of General Purpose RAM (GPR)
- 16 bytes of common RAM

The active bank is selected by writing the bank number into the Bank Select Register (BSR). Unimplemented memory will read as '0'. All data memory can be accessed either directly (via instructions that use the file registers) or indirectly via the two File Select Registers (FSR). See Section 3.7 "Indirect Addressing" for more information.

Data memory uses a 12-bit address. The upper five bits of the address define the Bank address and the lower seven bits select the registers/RAM in that bank.

3.3.1 CORE REGISTERS

The core registers contain the registers that directly affect the basic operation. The core registers occupy the first 12 addresses of every data memory bank (addresses x00h/x08h through x0Bh/x8Bh). These registers are listed below in Table 3-2. For detailed information, see Table 3-17.

TABLE 3-2: CORE REGISTERS

Addresses	BANKx
x00h or x80h	INDF0
x01h or x81h	INDF1
x02h or x82h	PCL
x03h or x83h	STATUS
x04h or x84h	FSR0L
x05h or x85h	FSR0H
x06h or x86h	FSR1L
x07h or x87h	FSR1H
x08h or x88h	BSR
x09h or x89h	WREG
x0Ah or x8Ah	PCLATH
x0Bh or x8Bh	INTCON

3.3.1.1 STATUS Register

The STATUS register, shown in Register 3-1, contains:

- the arithmetic status of the ALU
- the Reset status

The STATUS register can be the destination for any instruction, like any other register. If the STATUS register is the destination for an instruction that affects the Z, DC or C bits, then the write to these three bits is disabled. These bits are set or cleared according to the device logic. Furthermore, the \overline{TO} and \overline{PD} bits are not writable. Therefore, the result of an instruction with the STATUS register as destination may be different than intended.

For example, `CLRF STATUS` will clear the upper three bits and set the Z bit. This leaves the STATUS register as '000u u1uu' (where u = unchanged).

It is recommended, therefore, that only `BCF`, `BSF`, `SWAPF` and `MOVWF` instructions are used to alter the STATUS register, because these instructions do not affect any Status bits. For other instructions not affecting any Status bits (Refer to Section 35.0 "Instruction Set Summary").

Note: The C and DC bits operate as Borrow and Digit Borrow out bits, respectively, in subtraction.

PIC16(L)F1777/8/9

3.4 Register Definitions: Status

REGISTER 3-1: STATUS: STATUS REGISTER

U-0	U-0	U-0	R-1/q	R-1/q	R/W-0/u	R/W-0/u	R/W-0/u
—	—	—	$\overline{\text{TO}}$	$\overline{\text{PD}}$	Z	DC ⁽¹⁾	C ⁽¹⁾
bit 7							bit 0

Legend:

R = Readable bit	W = Writable bit	U = Unimplemented bit, read as '0'
u = Bit is unchanged	x = Bit is unknown	-n/n = Value at POR and BOR/Value at all other Resets
'1' = Bit is set	'0' = Bit is cleared	q = Value depends on condition

bit 7-5 **Unimplemented:** Read as '0'

bit 4 **$\overline{\text{TO}}$:** Time-Out bit

- 1 = After power-up, CLRWDT instruction or SLEEP instruction
- 0 = A WDT Time-out occurred

bit 3 **$\overline{\text{PD}}$:** Power-Down bit

- 1 = After power-up or by the CLRWDT instruction
- 0 = By execution of the SLEEP instruction

bit 2 **Z:** Zero bit

- 1 = The result of an arithmetic or logic operation is zero
- 0 = The result of an arithmetic or logic operation is not zero

bit 1 **DC:** Digit Carry/Digit Borrow bit (ADDWF, ADDLW, SUBLW, SUBWF instructions)⁽¹⁾

- 1 = A carry-out from the 4th low-order bit of the result occurred
- 0 = No carry-out from the 4th low-order bit of the result

bit 0 **C:** Carry/Borrow bit (ADDWF, ADDLW, SUBLW, SUBWF instructions)⁽¹⁾

- 1 = A carry-out from the Most Significant bit of the result occurred
- 0 = No carry-out from the Most Significant bit of the result occurred

Note 1: For $\overline{\text{Borrow}}$, the polarity is reversed. A subtraction is executed by adding the two's complement of the second operand.

3.4.1 SPECIAL FUNCTION REGISTER

The Special Function Registers (SFR) are registers used by the application to control the desired operation of peripheral functions in the device. The SFR occupies the 20 bytes after the core registers of every data memory bank (addresses x0Ch/x8Ch through x1Fh/x9Fh). The registers associated with the operation of each peripheral are described in the corresponding peripheral chapters of this data sheet.

3.4.2 GENERAL PURPOSE RAM

There are up to 80 bytes of General Purpose Registers (GPR) in each data memory bank. The GPR occupies the space immediately after the SFR of selected data memory banks. The number of banks selected depends on the total amount of GPR space available in the device.

3.4.2.1 Linear Access to GPR

The general purpose RAM can be accessed in a non-banked method via the FSRs. This can simplify access to large memory structures. See [Section 3.7.2 “Linear Data Memory”](#) for more information.

3.4.3 COMMON RAM

There are 16 bytes of common RAM accessible from all banks.

FIGURE 3-3: BANKED MEMORY PARTITIONING



3.4.4 DEVICE MEMORY MAPS

The memory maps for the device family are as shown in Tables 3-3 through 3-16.

TABLE 3-3: PIC16(L)F1778 MEMORY MAP (BANKS 0-7)

BANK 0		BANK 1		BANK 2		BANK 3		BANK 4		BANK 5		BANK 6		BANK 7	
000h	Core Registers (Table 3-2)	080h	Core Registers (Table 3-2)	100h	Core Registers (Table 3-2)	180h	Core Registers (Table 3-2)	200h	Core Registers (Table 3-2)	280h	Core Registers (Table 3-2)	300h	Core Registers (Table 3-2)	380h	Core Registers (Table 3-2)
00Bh		08Bh		10Bh		18Bh		20Bh		28Bh		30Bh		38Bh	
00Ch	PORTA	08Ch	TRISA	10Ch	LATA	18Ch	ANSELA	20Ch	WPUA	28Ch	ODCONA	30Ch	SLRCONA	38Ch	INLVLA
00Dh	PORTB	08Dh	TRISB	10Dh	LATB	18Dh	ANSELB	20Dh	WPUB	28Dh	ODCONB	30Dh	SLRCONB	38Dh	INLVLB
00Eh	PORTC	08Eh	TRISC	10Eh	LATC	18Eh	ANSELC	20Eh	WPUC	28Eh	ODCONC	30Eh	SLRCONC	38Eh	INLVLC
00Fh	—	08Fh	—	10Fh	—	18Fh	—	20Fh	—	28Fh	—	30Fh	—	38Fh	—
010h	PORTE	090h	TRISE	110h	—	190h	—	210h	WPUE	290h	—	310h	—	390h	INLVLE
011h	PIR1	091h	PIE1	111h	CMOUT	191h	PMADRL	211h	SSP1BUF	291h	CCPR1L	311h	—	391h	IOCAP
012h	PIR2	092h	PIE2	112h	CM1CON0	192h	PMADRH	212h	SSP1ADD	292h	CCPR1H	312h	—	392h	IOCAN
013h	PIR3	093h	PIE3	113h	CM1CON1	193h	PMDATL	213h	SSP1MSK	293h	CCP1CON	313h	—	393h	IOCAF
014h	PIR4	094h	PIE4	114h	CM1NSEL	194h	PMDATH	214h	SSP1STAT	294h	CCP1CAP	314h	—	394h	IOCBP
015h	PIR5	095h	PIE5	115h	CM1PSEL	195h	PMCON1	215h	SSP1CON1	295h	CCPR2L	315h	MD1CON0	395h	IOCBN
016h	PIR6	096h	PIE6	116h	CM2CON0	196h	PMCON2	216h	SSP1CON2	296h	CCPR2H	316h	MD1CON1	396h	IOCBF
017h	TMR0	097h	OPTION_REG	117h	CM2CON1	197h	VREGCON ⁽¹⁾	217h	SSP1CON3	297h	CCP2CON	317h	MD1SRC	397h	IOCCP
018h	TMR1L	098h	PCON	118h	CM2NSEL	198h	—	218h	—	298h	CCP2CAP	318h	MD1CARL	398h	IOCCN
019h	TMR1H	099h	WDTCON	119h	CM2PSEL	199h	RC1REG	219h	—	299h	CCPR7L	319h	MD1CARH	399h	IOCCF
01Ah	T1CON	09Ah	OSCTUNE	11Ah	CM3CON0	19Ah	TX1REG	21Ah	—	29Ah	CCPR7H	31Ah	—	39Ah	—
01Bh	T1GCON	09Bh	OSCCON	11Bh	CM3CON1	19Bh	SP1BRGL	21Bh	MD3CON0	29Bh	CCP7CON	31Bh	MD2CON0	39Bh	—
01Ch	TMR3L	09Ch	OSCSTAT	11Ch	CM3NSEL	19Ch	SP1BRGH	21Ch	MD3CON1	29Ch	CCP7CAP	31Ch	MD2CON1	39Ch	—
01Dh	TMR3H	09Dh	BORCON	11Dh	CM3PSEL	19Dh	RC1STA	21Dh	MD3SRC	29Dh	—	31Dh	MD2SRC	39Dh	IOCEP
01Eh	T3CON	09Eh	FVRCON	11Eh	—	19Eh	TX1STA	21Eh	MD3CARL	29Eh	CCPTMRS1	31Eh	MD2CARL	39Eh	IOCEN
01Fh	T3GCON	09Fh	ZCD1CON	11Fh	—	19Fh	BAUD1CON	21Fh	MD3CARH	29Fh	CCPTMRS2	31Fh	MD2CARH	39Fh	IOCEF
020h	General Purpose Register 80 Bytes	0A0h	General Purpose Register 80 Bytes	120h	General Purpose Register 80 Bytes	1A0h	General Purpose Register 80 Bytes	220h	General Purpose Register 80 Bytes	2A0h	General Purpose Register 80 Bytes	320h	General Purpose Register 80 Bytes	3A0h	General Purpose Register 80 Bytes
06Fh		0EFh		16Fh		1EFh		26Fh		2EFh		36Fh		3EFh	
070h	Common RAM 70h – 7Fh	0F0h	Accesses 70h – 7Fh	170h	Accesses 70h – 7Fh	1F0h	Accesses 70h – 7Fh	270h	Accesses 70h – 7Fh	2F0h	Accesses 70h – 7Fh	370h	Accesses 70h – 7Fh	3F0h	Accesses 70h – 7Fh
07Fh		0FFh		17Fh		1FFh		27Fh		2FFh		37Fh		3FFh	

Legend: ■ = Unimplemented data memory locations, read as '0'.

Note 1: Unimplemented on PIC16LF1778.

TABLE 3-4: PIC16(L)F1777/9 MEMORY MAP (BANKS 0-7)

BANK 0		BANK 1		BANK 2		BANK 3		BANK 4		BANK 5		BANK 6		BANK 7	
000h	Core Registers (Table 3-2)	080h	Core Registers (Table 3-2)	100h	Core Registers (Table 3-2)	180h	Core Registers (Table 3-2)	200h	Core Registers (Table 3-2)	280h	Core Registers (Table 3-2)	300h	Core Registers (Table 3-2)	380h	Core Registers (Table 3-2)
00Bh		08Bh		10Bh		18Bh		20Bh		28Bh		30Bh		38Bh	
00Ch	PORTA	08Ch	TRISA	10Ch	LATA	18Ch	ANSELA	20Ch	WPUA	28Ch	ODCONA	30Ch	SLRCONA	38Ch	INLVLA
00Dh	PORTB	08Dh	TRISB	10Dh	LATB	18Dh	ANSELB	20Dh	WPUB	28Dh	ODCONB	30Dh	SLRCONB	38Dh	INLVLB
00Eh	PORTC	08Eh	TRISC	10Eh	LATC	18Eh	ANSELC	20Eh	WPUC	28Eh	ODCONC	30Eh	SLRCONC	38Eh	INLVLC
00Fh	PORTD	08Fh	TRISD	10Fh	LATD	18Fh	ANSELD	20Fh	WPUD	28Fh	ODCOND	30Fh	SLRCOND	38Fh	INLVLD
010h	PORTE	090h	TRISE	110h	LATE	190h	ANSELE	210h	WPUE	290h	ODCONE	310h	SLRCONE	390h	INLVLE
011h	PIR1	091h	PIE1	111h	CMOUT	191h	PMADRL	211h	SSP1BUF	291h	CCPR1L	311h	CCPR8L	391h	IOCAP
012h	PIR2	092h	PIE2	112h	CM1CON0	192h	PMADRH	212h	SSP1ADD	292h	CCPR1H	312h	CCPR8H	392h	IOCAN
013h	PIR3	093h	PIE3	113h	CM1CON1	193h	PMDATL	213h	SSP1MSK	293h	CCP1CON	313h	CCP8CON	393h	IOCAF
014h	PIR4	094h	PIE4	114h	CM1NSEL	194h	PMDATH	214h	SSP1STAT	294h	CCP1CAP	314h	CCP8CAP	394h	IOCBP
015h	PIR5	095h	PIE5	115h	CM1PSEL	195h	PMCON1	215h	SSP1CON1	295h	CCPR2L	315h	MD1CON0	395h	IOCBN
016h	PIR6	096h	PIE6	116h	CM2CON0	196h	PMCON2	216h	SSP1CON2	296h	CCPR2H	316h	MD1CON1	396h	IOCBF
017h	TMR0	097h	OPTION_REG	117h	CM2CON1	197h	VREGCON ⁽¹⁾	217h	SSP1CON3	297h	CCP2CON	317h	MD1SRC	397h	IOCCP
018h	TMR1L	098h	PCON	118h	CM2NSEL	198h	—	218h	—	298h	CCP2CAP	318h	MD1CARL	398h	IOCCN
019h	TMR1H	099h	WDTCON	119h	CM2PSEL	199h	RC1REG	219h	—	299h	CCPR7L	319h	MD1CARH	399h	IOCCF
01Ah	T1CON	09Ah	OSCTUNE	11Ah	CM3CON0	19Ah	TX1REG	21Ah	—	29Ah	CCPR7H	31Ah	—	39Ah	—
01Bh	T1GCON	09Bh	OSCCON	11Bh	CM3CON1	19Bh	SP1BRGL	21Bh	MD3CON0	29Bh	CCP7CON	31Bh	MD2CON0	39Bh	—
01Ch	TMR3L	09Ch	OSCSTAT	11Ch	CM3NSEL	19Ch	SP1BRGH	21Ch	MD3CON1	29Ch	CCP7CAP	31Ch	MD2CON1	39Ch	—
01Dh	TMR3H	09Dh	BORCON	11Dh	CM3PSEL	19Dh	RC1STA	21Dh	MD3SRC	29Dh	—	31Dh	MD2SRC	39Dh	IOCEP
01Eh	T3CON	09Eh	FVRCON	11Eh	—	19Eh	TX1STA	21Eh	MD3CARL	29Eh	CCPTMRS1	31Eh	MD2CARL	39Eh	IOCEN
01Fh	T3GCON	09Fh	ZCD1CON	11Fh	—	19Fh	BAUD1CON	21Fh	MD3CARH	29Fh	CCPTMRS2	31Fh	MD2CARH	39Fh	IOCEF
020h	General Purpose Register 80 Bytes	0A0h	General Purpose Register 80 Bytes	120h	General Purpose Register 80 Bytes	1A0h	General Purpose Register 80 Bytes	220h	General Purpose Register 80 Bytes	2A0h	General Purpose Register 80 Bytes	320h	General Purpose Register 80 Bytes	3A0h	General Purpose Register 80 Bytes
06Fh		0EFh		16Fh		1EFh		26Fh		2EFh		36Fh		3EFh	
070h	Common RAM 70h – 7Fh	0F0h	Accesses 70h – 7Fh	170h	Accesses 70h – 7Fh	1F0h	Accesses 70h – 7Fh	270h	Accesses 70h – 7Fh	2F0h	Accesses 70h – 7Fh	370h	Accesses 70h – 7Fh	3F0h	Accesses 70h – 7Fh
07Fh		0FFh		17Fh		1FFh		27Fh		2FFh		37Fh		3FFh	

Legend: ■ = Unimplemented data memory locations, read as '0'.

Note 1: Unimplemented on PIC16LF1777/9.

TABLE 3-5: PIC16(L)F1778 MEMORY MAP, BANK 8-15

BANK 8		BANK 9		BANK 10		BANK 11		BANK 12		BANK 13		BANK 14		BANK 15	
400h	Core Registers (Table 3-2)	480h	Core Registers (Table 3-2)	500h	Core Registers (Table 3-2)	580h	Core Registers (Table 3-2)	600h	Core Registers (Table 3-2)	680h	Core Registers (Table 3-2)	700h	Core Registers (Table 3-2)	780h	Core Registers (Table 3-2)
40Bh	—	48Bh	—	50Bh	—	58Bh	—	60Bh	—	68Bh	—	70Bh	—	78Bh	—
40Ch	—	48Ch	—	50Ch	—	58Ch	—	60Ch	—	68Ch	—	70Ch	—	78Ch	—
40Dh	HIDRVB	48Dh	—	50Dh	—	58Dh	DACLD	60Dh	—	68Dh	COG1PHR	70Dh	COG2PHR	78Dh	—
40Eh	—	48Eh	ADRESL	50Eh	—	58Eh	DAC1CON0	60Eh	—	68Eh	COG1PHF	70Eh	COG2PHF	78Eh	PRG1RTSS
40Fh	TMR5L	48Fh	ADRESH	50Fh	OPA1NCHS	58Fh	DAC1REFL	60Fh	—	68Fh	COG1BLKR	70Fh	COG2BLKR	78Fh	PRG1FTSS
410h	TMR5H	490h	ADCON0	510h	OPA1PCHS	590h	DAC1REFH	610h	—	690h	COG1BLKF	710h	COG2BLKF	790h	PRG1INS
411h	T5CON	491h	ADCON1	511h	OPA1CON	591h	DAC2CON0	611h	—	691h	COG1DBR	711h	COG2DBR	791h	PRG1CON0
412h	T5GCON	492h	ADCON2	512h	OPA1ORS	592h	DAC2REFL	612h	—	692h	COG1DBF	712h	COG2DBF	792h	PRG1CON1
413h	T4TMR	493h	T2TMR	513h	OPA2NCHS	593h	DAC2REFH	613h	—	693h	COG1CON0	713h	COG2CON0	793h	PRG1CON2
414h	T4PR	494h	T2PR	514h	OPA2PCHS	594h	DAC3CON0	614h	PWM3DCL	694h	COG1CON1	714h	COG2CON1	794h	PRG2RTSS
415h	T4CON	495h	T2CON	515h	OPA2CON	595h	DAC3REF	615h	PWM3DCH	695h	COG1RIS0	715h	COG2RIS0	795h	PRG2FTSS
416h	T4HLT	496h	T2HLT	516h	OPA2ORS	596h	DAC4CON0	616h	PWM3CON	696h	COG1RIS1	716h	COG2RIS1	796h	PRG2INS
417h	T4CLKCON	497h	T2CLKCON	517h	OPA3NCHS	597h	DAC4REF	617h	PWM4DCL	697h	COG1RSIM0	717h	COG2RSIM0	797h	PRG2CON0
418h	T4RST	498h	T2RST	518h	OPA3PCHS	598h	DAC5CON0	618h	PWM4DCH	698h	COG1RSIM1	718h	COG2RSIM1	798h	PRG2CON1
419h	—	499h	—	519h	OPA3CON	599h	DAC5REFL	619h	PWM4CON	699h	COG1FIS0	719h	COG2FIS0	799h	PRG2CON2
41Ah	T6TMR	49Ah	T8TMR	51Ah	OPA3ORS	59Ah	DAC5REFH	61Ah	PWM9DCL	69Ah	COG1FIS1	71Ah	COG2FIS1	79Ah	PRG3RTSS
41Bh	T6PR	49Bh	T8PR	51Bh	—	59Bh	—	61Bh	PWM9DCH	69Bh	COG1FSIM0	71Bh	COG2FSIM0	79Bh	PRG3FTSS
41Ch	T6CON	49Ch	T8CON	51Ch	—	59Ch	—	61Ch	PWM9CON	69Ch	COG1FSIM1	71Ch	COG2FSIM1	79Ch	PRG3INS
41Dh	T6HLT	49Dh	T8HLT	51Dh	—	59Dh	—	61Dh	—	69Dh	COG1ASD0	71Dh	COG2ASD0	79Dh	PRG3CON0
41Eh	T6CLKCON	49Eh	T8CLKCON	51Eh	—	59Eh	DAC7CON0	61Eh	—	69Eh	COG1ASD1	71Eh	COG2ASD1	79Eh	PRG3CON1
41Fh	T6RST	49Fh	T8RST	51Fh	—	59Fh	DA73REF	61Fh	—	69Fh	COG1STR	71Fh	COG2STR	79Fh	PRG3CON2
420h	General Purpose Register 80 Bytes	4A0h	General Purpose Register 80 Bytes	520h	General Purpose Register 80 Bytes	5A0h	General Purpose Register 80 Bytes	620h	General Purpose Register 80 Bytes	6A0h	General Purpose Register 80 Bytes	720h	General Purpose Register 80 Bytes	7A0h	General Purpose Register 80 Bytes
46Fh	—	4EFh	—	56Fh	—	5EFh	—	66Fh	—	6EFh	—	76Fh	—	7EFh	—
470h	Accesses 70h – 7Fh	4F0h	Accesses 70h – 7Fh	570h	Accesses 70h – 7Fh	5F0h	Accesses 70h – 7Fh	670h	Accesses 70h – 7Fh	6F0h	Accesses 70h – 7Fh	770h	Accesses 70h – 7Fh	7F0h	Accesses 70h – 7Fh
47Fh	—	4FFh	—	57Fh	—	5FFh	—	67Fh	—	6FFh	—	77Fh	—	7FFh	—

Legend: ■ = Unimplemented data memory locations, read as '0'.

TABLE 3-6: PIC16(L)F1777 MEMORY MAP, BANK 8-15

BANK 8		BANK 9		BANK 10		BANK 11		BANK 12		BANK 13		BANK 14		BANK 15	
400h	Core Registers (Table 3-2)	480h	Core Registers (Table 3-2)	500h	Core Registers (Table 3-2)	580h	Core Registers (Table 3-2)	600h	Core Registers (Table 3-2)	680h	Core Registers (Table 3-2)	700h	Core Registers (Table 3-2)	780h	Core Registers (Table 3-2)
40Bh	—	48Bh	—	50Bh	—	58Bh	—	60Bh	—	68Bh	—	70Bh	—	78Bh	—
40Ch	HIDRVB	48Ch	—	50Ch	—	58Ch	DACL	60Ch	DAC8CON0	68Ch	COG1PHR	70Ch	COG2PHR	78Ch	—
40Dh	—	48Dh	—	50Dh	—	58Dh	DAC1CON0	60Dh	PRG4RTSS	68Dh	COG1PHF	70Dh	COG2PHF	78Dh	—
40Eh	—	48Eh	ADRESL	50Eh	—	58Eh	DAC1REFL	60Eh	PRG4FTSS	68Eh	COG1BLKR	70Eh	COG2PHF	78Eh	PRG1RTSS
40Fh	TMR5L	48Fh	ADRESH	50Fh	OPA1NCHS	58Fh	DAC1REFH	60Fh	PRG4INS	68Fh	COG1BLKF	70Fh	COG2BLKR	78Fh	PRG1FTSS
410h	TMR5H	490h	ADCON0	510h	OPA1PCHS	590h	DAC1REFH	610h	PRG4INS	690h	COG1BLKF	710h	COG2BLKF	790h	PRG1INS
411h	T5CON	491h	ADCON1	511h	OPA1CON	591h	DAC2CON0	611h	PRG4CON0	691h	COG1DBR	711h	COG2DBR	791h	PRG1CON0
412h	T5GCON	492h	ADCON2	512h	OPA1ORS	592h	DAC2REFL	612h	PRG4CON1	692h	COG1DBF	712h	COG2DBF	792h	PRG1CON1
413h	T4TMR	493h	T2TMR	513h	OPA2NCHS	593h	DAC2REFH	613h	PRG4CON2	693h	COG1CON0	713h	COG2CON0	793h	PRG1CON2
414h	T4PR	494h	T2PR	514h	OPA2PCHS	594h	DAC3CON0	614h	PWM3DCL	694h	COG1CON1	714h	COG2CON1	794h	PRG2RTSS
415h	T4CON	495h	T2CON	515h	OPA2CON	595h	DAC3REF	615h	PWM3DCH	695h	COG1RIS0	715h	COG2RIS0	795h	PRG2FTSS
416h	T4HLT	496h	T2HLT	516h	OPA2ORS	596h	DAC4CON0	616h	PWM3CON	696h	COG1RIS1	716h	COG2RIS1	796h	PRG2INS
417h	T4CLKCON	497h	T2CLKCON	517h	OPA3NCHS	597h	DAC4REF	617h	PWM4DCL	697h	COG1RSIM0	717h	COG2RSIM0	797h	PRG2CON0
418h	T4RST	498h	T2RST	518h	OPA3PCHS	598h	DAC5CON0	618h	PWM4DCH	698h	COG1RSIM1	718h	COG2RSIM1	798h	PRG2CON1
419h	—	499h	—	519h	OPA3CON	599h	DAC5REFL	619h	PWM4CON	699h	COG1FIS0	719h	COG2FIS0	799h	PRG2CON2
41Ah	T6TMR	49Ah	T8TMR	51Ah	OPA3ORS	59Ah	DAC5REFH	61Ah	PWM9DCL	69Ah	COG1FIS1	71Ah	COG2FIS1	79Ah	PRG3RTSS
41Bh	T6PR	49Bh	T8PR	51Bh	OPA4NCHS	59Bh	DAC6CON0	61Bh	PWM9DCH	69Bh	COG1FSIM0	71Bh	COG2FSIM0	79Bh	PRG3FTSS
41Ch	T6CON	49Ch	T8CON	51Ch	OPA4PCHS	59Ch	DAC6REFL	61Ch	PWM9CON	69Ch	COG1FSIM1	71Ch	COG2FSIM1	79Ch	PRG3INS
41Dh	T6HLT	49Dh	T8HLT	51Dh	OPA4CON	59Dh	DAC6REFH	61Dh	PWM10DCL	69Dh	COG1ASD0	71Dh	COG2ASD0	79Dh	PRG3CON0
41Eh	T6CLKCON	49Eh	T8CLKCON	51Eh	OPA4ORS	59Eh	DAC7CON0	61Eh	PWM10DCH	69Eh	COG1ASD1	71Eh	COG2ASD1	79Eh	PRG3CON1
41Fh	T6RST	49Fh	T8RST	51Fh	—	59Fh	DA73REF	61Fh	PWM10CON	69Fh	COG1STR	71Fh	COG2STR	79Fh	PRG3CON2
420h	General Purpose Register 80 Bytes	4A0h	General Purpose Register 80 Bytes	520h	General Purpose Register 80 Bytes	5A0h	General Purpose Register 80 Bytes	620h	General Purpose Register 48 Bytes	6A0h	Unimplemented Read as '0'	720h	Unimplemented Read as '0'	7A0h	Unimplemented Read as '0'
46Fh	—	4EFh	—	56Fh	—	5EFh	—	64Fh	Unimplemented Read as '0'	64Fh	—	74Fh	—	74Fh	—
470h	Accesses 70h – 7Fh	4F0h	Accesses 70h – 7Fh	570h	Accesses 70h – 7Fh	5F0h	Accesses 70h – 7Fh	650h	—	650h	—	750h	Accesses 70h – 7Fh	750h	Accesses 70h – 7Fh
47Fh	—	4FFh	—	57Fh	—	5FFh	—	66Fh	Accesses 70h – 7Fh	66Fh	Accesses 70h – 7Fh	76Fh	Accesses 70h – 7Fh	76Fh	Accesses 70h – 7Fh
								670h	—	670h	—	770h	—	770h	—
								67Fh	—	67Fh	—	77Fh	—	77Fh	—

Legend: = Unimplemented data memory locations, read as '0'.

TABLE 3-7: PIC16(L)F1779 MEMORY MAP, BANK 8-15

BANK 8		BANK 9		BANK 10		BANK 11		BANK 12		BANK 13		BANK 14		BANK 15	
400h	Core Registers (Table 3-2)	480h	Core Registers (Table 3-2)	500h	Core Registers (Table 3-2)	580h	Core Registers (Table 3-2)	600h	Core Registers (Table 3-2)	680h	Core Registers (Table 3-2)	700h	Core Registers (Table 3-2)	780h	Core Registers (Table 3-2)
40Bh	—	48Bh	—	50Bh	—	58Bh	—	60Bh	DAC8CON0	68Bh	—	70Bh	—	78Bh	—
40Ch	—	48Ch	—	50Ch	—	58Ch	—	60Ch	DAC8REFL	68Ch	COG1PHR	70Ch	—	78Ch	—
40Dh	HIDRVB	48Dh	—	50Dh	—	58Dh	DACL	60Dh	PRG4RTSS	68Dh	COG1PHF	70Dh	COG2PHR	78Dh	—
40Eh	—	48Eh	ADRESL	50Eh	—	58Eh	DAC1CON0	60Eh	PRG4FTSS	68Eh	COG1BLKR	70Eh	COG2PHF	78Eh	PRG1RTSS
40Fh	TMR5L	48Fh	ADRESH	50Fh	OPA1NCHS	58Fh	DAC1REFL	60Fh	PRG4INS	68Fh	COG1BLKF	70Fh	COG2BLKR	78Fh	PRG1FTSS
410h	TMR5H	490h	ADCON0	510h	OPA1PCHS	590h	DAC1REFH	610h	PRG4CON0	690h	COG1DBR	710h	COG2BLKF	790h	PRG1INS
411h	T5CON	491h	ADCON1	511h	OPA1CON	591h	DAC2CON0	611h	PRG4CON1	691h	COG1DBF	711h	COG2DBR	791h	PRG1CON0
412h	T5GCON	492h	ADCON2	512h	OPA1ORS	592h	DAC2REFL	612h	PRG4CON2	692h	COG1CON0	712h	COG2DBF	792h	PRG1CON1
413h	T4TMR	493h	T2TMR	513h	OPA2NCHS	593h	DAC2REFH	613h	PWM3DCL	693h	COG1CON1	713h	COG2CON0	793h	PRG1CON2
414h	T4PR	494h	T2PR	514h	OPA2PCHS	594h	DAC3CON0	614h	PWM3DCH	694h	COG1CON1	714h	COG2CON1	794h	PRG2RTSS
415h	T4CON	495h	T2CON	515h	OPA2CON	595h	DAC3REF	615h	PWM3CON	695h	COG1RIS0	715h	COG2CON0	795h	PRG2FTSS
416h	T4HLT	496h	T2HLT	516h	OPA2ORS	596h	DAC4CON0	616h	PWM4CON	696h	COG1RIS1	716h	COG2RIS1	796h	PRG2INS
417h	T4CLKCON	497h	T2CLKCON	517h	OPA3NCHS	597h	DAC4REF	617h	PWM4DCL	697h	COG1RSIM0	717h	COG2RSIM0	797h	PRG2CON0
418h	T4RST	498h	T2RST	518h	OPA3PCHS	598h	DAC5CON0	618h	PWM4DCH	698h	COG1RSIM1	718h	COG2RSIM1	798h	PRG2CON1
419h	—	499h	—	519h	OPA3CON	599h	DAC5REFL	619h	PWM4CON	699h	COG1FIS0	719h	COG2FIS0	799h	PRG2CON2
41Ah	T6TMR	49Ah	T8TMR	51Ah	OPA3ORS	59Ah	DAC5REFH	61Ah	PWM9DCL	69Ah	COG1FIS1	71Ah	COG2FIS1	79Ah	PRG3RTSS
41Bh	T6PR	49Bh	T8PR	51Bh	OPA4NCHS	59Bh	DAC6CON0	61Bh	PWM9DCH	69Bh	COG1FSIM0	71Bh	COG2FSIM0	79Bh	PRG3FTSS
41Ch	T6CON	49Ch	T8CON	51Ch	OPA4PCHS	59Ch	DAC6REFL	61Ch	PWM9CON	69Ch	COG1FSIM1	71Ch	COG2FSIM1	79Ch	PRG3INS
41Dh	T6HLT	49Dh	T8HLT	51Dh	OPA4CON	59Dh	DAC6REFH	61Dh	PWM10DCL	69Dh	COG1ASD0	71Dh	COG2ASD0	79Dh	PRG3CON0
41Eh	T6CLKCON	49Eh	T8CLKCON	51Eh	OPA4ORS	59Eh	DAC7CON0	61Eh	PWM10DCH	69Eh	COG1ASD1	71Eh	COG2ASD1	79Eh	PRG3CON1
41Fh	T6RST	49Fh	T8RST	51Fh	—	59Fh	DA73REF	61Fh	PWM10CON	69Fh	COG1STR	71Fh	COG2STR	79Fh	PRG3CON2
420h	—	4A0h	—	520h	—	5A0h	—	620h	—	6A0h	—	720h	—	7A0h	—
	General Purpose Register 80 Bytes		General Purpose Register 80 Bytes		General Purpose Register 80 Bytes		General Purpose Register 80 Bytes		General Purpose Register 80 Bytes		General Purpose Register 80 Bytes		General Purpose Register 80 Bytes		General Purpose Register 80 Bytes
46Fh	—	4EFh	—	56Fh	—	5EFh	—	66Fh	—	6EFh	—	76Fh	—	7EFh	—
470h	—	4F0h	—	570h	—	5F0h	—	670h	—	6F0h	—	770h	—	7F0h	—
	Accesses 70h – 7Fh		Accesses 70h – 7Fh		Accesses 70h – 7Fh		Accesses 70h – 7Fh		Accesses 70h – 7Fh		Accesses 70h – 7Fh		Accesses 70h – 7Fh		Accesses 70h – 7Fh
47Fh	—	4FFh	—	57Fh	—	5FFh	—	67Fh	—	6FFh	—	77Fh	—	7FFh	—

Legend: ■ = Unimplemented data memory locations, read as '0'.

TABLE 3-8: PIC16(L)F1778 MEMORY MAP, BANK 16-23

BANK 16		BANK 17		BANK 18		BANK 19		BANK 20		BANK 21		BANK 22		BANK 23							
800h	Core Registers (Table 3-2)	880h	Core Registers (Table 3-2)	900h	Core Registers (Table 3-2)	980h	Core Registers (Table 3-2)	A00h	Core Registers (Table 3-2)	A80h	Core Registers (Table 3-2)	B00h	Core Registers (Table 3-2)	B80h	Core Registers (Table 3-2)						
80Bh	—	88Bh	Unimplemented Read as '0'	90Bh	CM4CON0	98Bh	Unimplemented Read as '0'	A0Bh	Unimplemented Read as '0'	A8Bh	Unimplemented Read as '0'	B0Bh	Unimplemented Read as '0'	B8Bh	Unimplemented Read as '0'						
80Ch	—	88Ch		90Ch	CM4CON1	98Ch		90Ch		CM4NSEL		A0Ch		A8Ch		B0Ch	B8Ch				
80Dh	COG3PHR	90Dh		CM4PSEL	90Dh	CM5CON0		90Eh		CM5CON1		90Eh		CM5NSEL		90Fh	CM5PSEL	90Fh	CM6CON0	90Fh	CM6CON1
80Eh	COG3PHF	90Fh		CM5CON0	910h	CM5CON1		910h		CM5NSEL		910h		CM6CON0		910h	CM6CON1	910h	CM6NSEL	910h	CM6PSEL
80Fh	COG3BLKR	911h		CM6CON0	911h	CM6CON1		911h		CM6NSEL		911h		CM6PSEL		911h	Unimplemented	911h	Unimplemented	911h	Unimplemented
810h	COG3BLKF	912h		CM6NSEL	912h	Unimplemented		912h		Unimplemented		912h		Unimplemented		912h	Unimplemented	912h	Unimplemented	912h	Unimplemented
811h	COG3DBR	913h		Unimplemented	913h	Unimplemented		913h		Unimplemented		913h		Unimplemented		913h	Unimplemented	913h	Unimplemented	913h	Unimplemented
812h	COG3DBF	914h		Unimplemented	914h	Unimplemented		914h		Unimplemented		914h		Unimplemented		914h	Unimplemented	914h	Unimplemented	914h	Unimplemented
813h	COG3CON0	915h		Unimplemented	915h	Unimplemented		915h		Unimplemented		915h		Unimplemented		915h	Unimplemented	915h	Unimplemented	915h	Unimplemented
814h	COG3CON1	916h		Unimplemented	916h	Unimplemented		916h		Unimplemented		916h		Unimplemented		916h	Unimplemented	916h	Unimplemented	916h	Unimplemented
815h	COG3RIS0	917h		Unimplemented	917h	Unimplemented		917h		Unimplemented		917h		Unimplemented		917h	Unimplemented	917h	Unimplemented	917h	Unimplemented
816h	COG3RIS1	918h		Unimplemented	918h	Unimplemented		918h		Unimplemented		918h		Unimplemented		918h	Unimplemented	918h	Unimplemented	918h	Unimplemented
817h	COG3RSIM0	919h		Unimplemented	919h	Unimplemented		919h		Unimplemented		919h		Unimplemented		919h	Unimplemented	919h	Unimplemented	919h	Unimplemented
818h	COG3RSIM1	91Ah		Unimplemented	91Ah	Unimplemented		91Ah		Unimplemented		91Ah		Unimplemented		91Ah	Unimplemented	91Ah	Unimplemented	91Ah	Unimplemented
819h	COG3FIS0	91Bh		Unimplemented	91Bh	Unimplemented		91Bh		Unimplemented		91Bh		Unimplemented		91Bh	Unimplemented	91Bh	Unimplemented	91Bh	Unimplemented
81Ah	COG3FIS1	91Ch		Unimplemented	91Ch	Unimplemented		91Ch		Unimplemented		91Ch		Unimplemented		91Ch	Unimplemented	91Ch	Unimplemented	91Ch	Unimplemented
81Bh	COG3FSIM0	91Dh	Unimplemented	91Dh	Unimplemented	91Dh	Unimplemented	91Dh	Unimplemented	91Dh	Unimplemented	91Dh	Unimplemented	91Dh	Unimplemented						
81Ch	COG3FSIM1	91Eh	Unimplemented	91Eh	Unimplemented	91Eh	Unimplemented	91Eh	Unimplemented	91Eh	Unimplemented	91Eh	Unimplemented	91Eh	Unimplemented						
81Dh	COG3ASD0	91Fh	Unimplemented	91Fh	Unimplemented	91Fh	Unimplemented	91Fh	Unimplemented	91Fh	Unimplemented	91Fh	Unimplemented	91Fh	Unimplemented						
81Eh	COG3ASD1	920h	Unimplemented	920h	Unimplemented	920h	Unimplemented	920h	Unimplemented	920h	Unimplemented	920h	Unimplemented	920h	Unimplemented						
81Fh	COG3STR	920h	Unimplemented	920h	Unimplemented	920h	Unimplemented	920h	Unimplemented	920h	Unimplemented	920h	Unimplemented	920h	Unimplemented						
820h	General Purpose Register 48 Bytes	89Fh	General Purpose Register 48 Bytes	91Fh	General Purpose Register 48 Bytes	99Fh	General Purpose Register 48 Bytes	A1Fh	General Purpose Register 48 Bytes	A9Fh	General Purpose Register 48 Bytes	B1Fh	General Purpose Register 48 Bytes	B9Fh	General Purpose Register 48 Bytes						
86Fh	Accesses 70h – 7Fh	8A0h	Accesses 70h – 7Fh	920h	Accesses 70h – 7Fh	9A0h	Accesses 70h – 7Fh	A20h	Accesses 70h – 7Fh	AA0h	Accesses 70h – 7Fh	B20h	Accesses 70h – 7Fh	BA0h	Accesses 70h – 7Fh						
870h		8Eh		96Fh		9EFh		A6Fh		AEFh		B6Fh		BEFh							
87Fh	8Fh	97Fh	9FFh	A7Fh	AFFh	B7Fh	BFFh														

Legend: = Unimplemented data memory locations, read as '0'.

TABLE 3-9: PIC16(L)F1777 MEMORY MAP, BANK 16-23

BANK 16		BANK 17		BANK 18		BANK 19		BANK 20		BANK 21		BANK 22		BANK 23						
800h	Core Registers (Table 3-2)	880h	Core Registers (Table 3-2)	900h	Core Registers (Table 3-2)	980h	Core Registers (Table 3-2)	A00h	Core Registers (Table 3-2)	A80h	Core Registers (Table 3-2)	B00h	Core Registers (Table 3-2)	B80h	Core Registers (Table 3-2)					
80Bh	—	88Bh	—	90Bh	CM4CON0	98Bh	Unimplemented Read as '0'	A0Bh	Unimplemented Read as '0'	A8Bh	Unimplemented Read as '0'	B0Bh	Unimplemented Read as '0'	B8Bh	Unimplemented Read as '0'					
80Ch	—	88Ch	—	90Ch	CM4CON1	98Ch		A0Ch		A8Ch		B0Ch		B8Ch						
80Dh	COG3PHR		COG4PHR	90Dh	CM4CON1															
80Eh	COG3PHF		COG4PHF	90Eh	CM4NSEL															
80Fh	COG3BLKR		COG4BLKR	90Fh	CM4PSEL															
810h	COG3BLKF		COG4BLKF	910h	CM5CON0															
811h	COG3DBR		COG4DBR	911h	CM5CON1															
812h	COG3DBF		COG4DBF	912h	CM5NSEL															
813h	COG3CON0		COG4CON0	913h	CM5PSEL															
814h	COG3CON1		COG4CON1	914h	CM6CON0															
815h	COG3RIS0		COG4RIS0	915h	CM6CON1															
816h	COG3RIS1		COG4RIS1	916h	CM6NSEL															
817h	COG3RSIM0		COG4RSIM0	917h	CM6PSEL															
818h	COG3RSIM1		COG4RSIM1	918h	CM7CON0															
819h	COG3FIS0		COG4FIS0		CM7CON1															
81Ah	COG3FIS1		COG4FIS1		CM7NSEL															
81Bh	COG3FSIM0		COG4FSIM0		CM7PSEL															
81Ch	COG3FSIM1		COG4FSIM1		CM8CON0															
81Dh	COG3ASD0		COG4ASD0		CM8CON1															
81Eh	COG3ASD1		COG4ASD1		CM8NSEL															
81Fh	COG3STR	89Fh	COG4STR	91Fh	CM8PSEL															
820h	Unimplemented Read as '0'	8A0h	Unimplemented Read as '0'	920h	Unimplemented Read as '0'															
86Fh	Accesses 70h – 7Fh	8EFh	Accesses 70h – 7Fh	96Fh	Accesses 70h – 7Fh	9EFh	Accesses 70h – 7Fh	A6Fh	Accesses 70h – 7Fh	AEFh	Accesses 70h – 7Fh	B6Fh	Accesses 70h – 7Fh	BEFh	Accesses 70h – 7Fh					
870h		8F0h		970h		9F0h		A70h		AF0h		B70h		BF0h						
87Fh		8FFh		97Fh		9FFh		A7Fh		AFFh		B7Fh		BFFh						

Legend: = Unimplemented data memory locations, read as '0'.

TABLE 3-10: PIC16(L)F1779 MEMORY MAP, BANK 16-23

BANK 16		BANK 17		BANK 18		BANK 19		BANK 20		BANK 21		BANK 22		BANK 23	
800h	Core Registers (Table 3-2)	880h	Core Registers (Table 3-2)	900h	Core Registers (Table 3-2)	980h	Core Registers (Table 3-2)	A00h	Core Registers (Table 3-2)	A80h	Core Registers (Table 3-2)	B00h	Core Registers (Table 3-2)	B80h	Core Registers (Table 3-2)
80Bh	—	88Bh	—	90Bh	CM4CON0	98Bh	Unimplemented Read as '0'	A0Bh	Unimplemented Read as '0'	A8Bh	Unimplemented Read as '0'	B0Bh	Unimplemented Read as '0'	B8Bh	Unimplemented Read as '0'
80Ch	—	88Ch	—	90Ch	CM4CON1	98Ch		A0Ch		A8Ch		B0Ch		B8Ch	
80Dh	COG3PHR		COG4PHR	90Dh	CM4CON0										
80Eh	COG3PHF		COG4PHF	90Eh	CM4NSEL										
80Fh	COG3BLKR		COG4BLKR	90Fh	CM4PSEL										
810h	COG3BLKF		COG4BLKF	910h	CM5CON0										
811h	COG3DBR		COG4DBR	911h	CM5CON1										
812h	COG3DBF		COG4DBF	912h	CM5NSEL										
813h	COG3CON0		COG4CON0	913h	CM5PSEL										
814h	COG3CON1		COG4CON1	914h	CM6CON0										
815h	COG3RIS0		COG4RIS0	915h	CM6CON1										
816h	COG3RIS1		COG4RIS1	916h	CM6NSEL										
817h	COG3RSIM0		COG4RSIM0	917h	CM6PSEL										
818h	COG3RSIM1		COG4RSIM1	918h	CM7CON0										
819h	COG3FIS0		COG4FIS0		CM7CON1										
81Ah	COG3FIS1		COG4FIS1		CM7NSEL										
81Bh	COG3FSIM0		COG4FSIM0		CM7PSEL										
81Ch	COG3FSIM1		COG4FSIM1		CM8CON0										
81Dh	COG3ASD0		COG4ASD0		CM8CON1										
81Eh	COG3ASD1		COG4ASD1		CM8NSEL										
81Fh	COG3STR	89Fh	COG4STR	91Fh	CM8PSEL	99Fh		A1Fh		A9Fh		B1Fh		B9Fh	
820h	General Purpose Register 48 Bytes	8A0h	General Purpose Register 48 Bytes	920h	General Purpose Register 48 Bytes	9A0h	General Purpose Register 48 Bytes	A20h	General Purpose Register 48 Bytes	AA0h	General Purpose Register 48 Bytes	B20h	General Purpose Register 48 Bytes	BA0h	General Purpose Register 48 Bytes
86Fh		Accesses 70h – 7Fh		8EFh		Accesses 70h – 7Fh		96Fh		Accesses 70h – 7Fh		9EFh		Accesses 70h – 7Fh	
870h	8F0h		970h	9F0h	A70h		AF0h	B70h	BF0h						
87Fh		8FFh		97Fh		9FFh		A7Fh		AFh		B7Fh		BFh	

Legend: = Unimplemented data memory locations, read as '0'.

TABLE 3-11: PIC16(L)F1778 MEMORY MAP, BANK 24-31

BANK 24		BANK 25		BANK 26		BANK 27		BANK 28		BANK 29		BANK 30		BANK 31	
C00h	Core Registers (Table 3-2)	C80h	Core Registers (Table 3-2)	D00h	Core Registers (Table 3-2)	D80h	Core Registers (Table 3-2)	E00h	Core Registers (Table 3-2)	E80h	Core Registers (Table 3-2)	F00h	Core Registers (Table 3-2)	F80h	Core Registers (Table 3-2)
C0Bh	—	C8Bh	—	D0Bh	—	D8Bh	See Table 3-14 for register map- ping details	E0Bh	See Table 3-14 for register map- ping details	E8Bh	See Table 3-14 for register map- ping details	F0Bh	See Table 3-14 for register map- ping details	F8Bh	See Table 3-16 for register map- ping details
C0Ch	—	C8Ch	—	D0Ch	—										
C0Dh	—	C8Dh	—	D0Dh	—										
C0Eh	—	C8Eh	—	D0Eh	—										
C0Fh	—	C8Fh	—	D0Fh	—										
C10h	—	C90h	—	D10h	—										
C11h	—	C91h	—	D11h	—										
C12h	—	C92h	—	D12h	—										
C13h	—	C93h	—	D13h	—										
C14h	—	C94h	—	D14h	—										
C15h	—	C95h	—	D15h	—										
C16h	—	C96h	—	D16h	—										
C17h	—	C97h	—	D17h	—										
C18h	—	C98h	—	D18h	—										
C19h	—	C99h	—	D19h	—										
C1Ah	—	C9Ah	—	D1Ah	—										
C1Bh	—	C9Bh	—	D1Bh	—										
C1Ch	—	C9Ch	—	D1Ch	—										
C1Dh	—	C9Dh	—	D1Dh	—										
C1Eh	—	C9Eh	—	D1Eh	—										
C1Fh	—	C9Fh	—	D1Fh	—										
C20h	General Purpose Register 80 Bytes	CA0h	General Purpose Register 32 Bytes	D20h	Unimplemented Read as '0'	DEFh	Accesses 70h – 7Fh	E6Fh	Accesses 70h – 7Fh	EEFh	Accesses 70h – 7Fh	F6Fh	Accesses 70h – 7Fh	FEFh	Accesses 70h – 7Fh
C6Fh		CBFh		Unimplemented Read as '0'		D6Fh		DF0h		E70h		EF0h		F70h	
C70h		CC0h	CF0h			DFh		E7Fh		EFh		F7Fh		FFh	
CFFh	Accesses 70h – 7Fh	CFh	Accesses 70h – 7Fh	D7Fh	Accesses 70h – 7Fh	DFh	Accesses 70h – 7Fh	E7Fh	Accesses 70h – 7Fh	EFh	Accesses 70h – 7Fh	F7Fh	Accesses 70h – 7Fh	FFh	Accesses 70h – 7Fh

Legend: ■ = Unimplemented data memory locations, read as '0'.

TABLE 3-12: PIC16(L)F1777 MEMORY MAP, BANK 24-31

BANK 24		BANK 25		BANK 26		BANK 27		BANK 28		BANK 29		BANK 30		BANK 31	
C00h	Core Registers (Table 3-2)	C80h	Core Registers (Table 3-2)	D00h	Core Registers (Table 3-2)	D80h	Core Registers (Table 3-2)	E00h	Core Registers (Table 3-2)	E80h	Core Registers (Table 3-2)	F00h	Core Registers (Table 3-2)	F80h	Core Registers (Table 3-2)
C0Bh	—	C8Bh	—	D0Bh	—	D8Bh	See Table 3-15 for register map- ping details	E0Bh	See Table 3-15 for register map- ping details	E8Bh	See Table 3-15 for register map- ping details	F0Bh	See Table 3-15 for register map- ping details	F8Bh	See Table 3-16 for register map- ping details
C0Ch	—	C8Ch	—	D0Ch	—										
C0Dh	—	C8Dh	—	D0Dh	—										
C0Eh	—	C8Eh	—	D0Eh	—										
C0Fh	—	C8Fh	—	D0Fh	—										
C10h	—	C90h	—	D10h	—										
C11h	—	C91h	—	D11h	—										
C12h	—	C92h	—	D12h	—										
C13h	—	C93h	—	D13h	—										
C14h	—	C94h	—	D14h	—										
C15h	—	C95h	—	D15h	—										
C16h	—	C96h	—	D16h	—										
C17h	—	C97h	—	D17h	—										
C18h	—	C98h	—	D18h	—										
C19h	—	C99h	—	D19h	—										
C1Ah	—	C9Ah	—	D1Ah	—										
C1Bh	—	C9Bh	—	D1Bh	MD4CON0										
C1Ch	—	C9Ch	—	D1Ch	MD4CON1										
C1Dh	—	C9Dh	—	D1Dh	MD4SRC										
C1Eh	—	C9Eh	—	D1Eh	MD4CARL										
C1Fh	—	C9Fh	—	D1Fh	MD4CARH										
C20h	Unimplemented Read as '0'	CA0h	Unimplemented Read as '0'	D20h	Unimplemented Read as '0'										
C6Fh		CBFh		D6Fh											
C70h		CC0h		D70h											
C6Fh	Accesses 70h – 7Fh	CEFh	Accesses 70h – 7Fh	D6Fh	Accesses 70h – 7Fh	DEFh	Accesses 70h – 7Fh	E6Fh	Accesses 70h – 7Fh	EEFh	Accesses 70h – 7Fh	F6Fh	Accesses 70h – 7Fh	FEFh	Accesses 70h – 7Fh
C70h		CF0h		D70h		DF0h		E70h		EF0h		F70h		FF0h	
CFFh	Accesses 70h – 7Fh	CFFh	Accesses 70h – 7Fh	D7Fh	Accesses 70h – 7Fh	DFh	Accesses 70h – 7Fh	E7Fh	Accesses 70h – 7Fh	EFFh	Accesses 70h – 7Fh	F7Fh	Accesses 70h – 7Fh	FFFh	Accesses 70h – 7Fh

Legend: ■ = Unimplemented data memory locations, read as '0'.

TABLE 3-13: PIC16(L)F1779 MEMORY MAP, BANK 24-31

BANK 24		BANK 25		BANK 26		BANK 27		BANK 28		BANK 29		BANK 30		BANK 31									
C00h	Core Registers (Table 3-2)	C80h	Core Registers (Table 3-2)	D00h	Core Registers (Table 3-2)	D80h	Core Registers (Table 3-2)	E00h	Core Registers (Table 3-2)	E80h	Core Registers (Table 3-2)	F00h	Core Registers (Table 3-2)	F80h	Core Registers (Table 3-2)								
C0Bh	—	C8Bh	—	D0Bh	—	D8Bh	See Table 3-15 for register map- ping details	E0Bh	See Table 3-15 for register map- ping details	E8Bh	See Table 3-15 for register map- ping details	F0Bh	See Table 3-15 for register map- ping details	F8Bh	See Table 3-16 for register map- ping details								
C0Ch	—	C8Ch	—	D0Ch	—																		
C0Dh	—	C8Dh	—	D0Dh	—																		
C0Eh	—	C8Eh	—	D0Eh	—																		
C0Fh	—	C8Fh	—	D0Fh	—																		
C10h	—	C90h	—	D10h	—																		
C11h	—	C91h	—	D11h	—																		
C12h	—	C92h	—	D12h	—																		
C13h	—	C93h	—	D13h	—																		
C14h	—	C94h	—	D14h	—																		
C15h	—	C95h	—	D15h	—																		
C16h	—	C96h	—	D16h	—																		
C17h	—	C97h	—	D17h	—																		
C18h	—	C98h	—	D18h	—																		
C19h	—	C99h	—	D19h	—																		
C1Ah	—	C9Ah	—	D1Ah	—																		
C1Bh	—	C9Bh	—	D1Bh	MD4CON0																		
C1Ch	—	C9Ch	—	D1Ch	MD4CON1																		
C1Dh	—	C9Dh	—	D1Dh	MD4SRC																		
C1Eh	—	C9Eh	—	D1Eh	MD4CARL																		
C1Fh	—	C9Fh	—	D1Fh	MD4CARH																		
C20h	General Purpose Register 80 Bytes	CA0h	General Purpose Register 32 Bytes	D20h	Unimplemented Read as '0'	DEFh	See Table 3-15 for register map- ping details	E6Fh	See Table 3-15 for register map- ping details	EEFh	See Table 3-15 for register map- ping details	F6Fh	See Table 3-15 for register map- ping details	FEFh	See Table 3-16 for register map- ping details								
C6Fh				CBFh				D6Fh				E6Fh				EEFh		F6Fh		FEFh			
C70h				CC0h		Unimplemented Read as '0'		D70h		Accesses 70h – 7Fh		DF0h		Accesses 70h – 7Fh		E70h	Accesses 70h – 7Fh	EF0h	Accesses 70h – 7Fh	F70h	Accesses 70h – 7Fh	FF0h	Accesses 70h – 7Fh
CFFh		Accesses 70h – 7Fh		CF0h		Accesses 70h – 7Fh		D7Fh		Accesses 70h – 7Fh		DF0h		Accesses 70h – 7Fh		E7Fh	Accesses 70h – 7Fh	EFFh	Accesses 70h – 7Fh	F7Fh	Accesses 70h – 7Fh	FFFh	Accesses 70h – 7Fh
CFFh	Accesses 70h – 7Fh	CF0h	Accesses 70h – 7Fh	D7Fh	Accesses 70h – 7Fh	DF0h	Accesses 70h – 7Fh	E7Fh	Accesses 70h – 7Fh	EFFh	Accesses 70h – 7Fh	F7Fh	Accesses 70h – 7Fh	FFFh	Accesses 70h – 7Fh								

Legend: ■ = Unimplemented data memory locations, read as '0'.

TABLE 3-14: PIC16(L)F1778 MEMORY MAP, BANK 27-30

Bank 27		Bank 28		Bank 29		Bank 30	
D8Ch	—	E0Ch	PPSLOCK	E8Ch	—	F0Ch	—
D8Dh	—	E0Dh	INTPPS	E8Dh	—	F0Dh	—
D8Eh	PWMEN	E0Eh	T0CKIPPS	E8Eh	—	F0Eh	—
D8Fh	PWMLD	E0Fh	T1CKIPPS	E8Fh	—	F0Fh	CLCDATA
D90h	PWMOUT	E10h	T1GPPS	E90h	RA0PPS	F10h	CLC1CON
D91h	PWM5PHL	E11h	T3CKIPPS	E91h	RA1PPS	F11h	CLC1POL
D92h	PWM5PHH	E12h	T3GPPS	E92h	RA2PPS	F12h	CLC1SEL0
D93h	PWM5DCL	E13h	T5CKIPPS	E93h	RA3PPS	F13h	CLC1SEL1
D94h	PWM5DCH	E14h	T5GPPS	E94h	RA4PPS	F14h	CLC1SEL2
D95h	PWM5PRL	E15h	T2INPPS	E95h	RA5PPS	F15h	CLC1SEL3
D96h	PWM5PRH	E16h	T4INPPS	E96h	RA6PPS	F16h	CLC1GLS0
D97h	PWM5OFL	E17h	T6INPPS	E97h	RA7PPS	F17h	CLC1GLS1
D98h	PWM5OFH	E18h	T8INPPS	E98h	RB0PPS	F18h	CLC1GLS2
D99h	PWM5TMRL	E19h	CCP1PPS	E99h	RB1PPS	F19h	CLC1GLS3
D9Ah	PWM5TMRH	E1Ah	CCP2PPS	E9Ah	RB2PPS	F1Ah	CLC2CON
D9Bh	PWM5CON	E1Bh	CCP7PPS	E9Bh	RB3PPS	F1Bh	CLC2POL
D9Ch	PWM5INTE	E1Ch	—	E9Ch	RB4PPS	F1Ch	CLC2SEL0
D9Dh	PWM5INTF	E1Dh	COG1INPPS	E9Dh	RB5PPS	F1Dh	CLC2SEL1
D9Eh	PWM5CLKCON	E1Eh	COG2INPPS	E9Eh	RB6PPS	F1Eh	CLC2SEL2
D9Fh	PWM5LDCON	E1Fh	COG3INPPS	E9Fh	RB7PPS	F1Fh	CLC2SEL3
DA0h	PWM5OFCON	E20h	—	EA0h	RC0PPS	F20h	CLC2GLS0
DA1h	PWM6PHL	E21h	MD1CLPPS	EA1h	RC1PPS	F21h	CLC2GLS1
DA2h	PWM6PHH	E22h	MD1CHPPS	EA2h	RC2PPS	F22h	CLC2GLS2
DA3h	PWM6DCL	E23h	MD1MODPPS	EA3h	RC3PPS	F23h	CLC2GLS3
DA4h	PWM6DCH	E24h	MD2CLPPS	EA4h	RC4PPS	F24h	CLC3CON
DA5h	PWM6PRL	E25h	MD2CHPPS	EA5h	RC5PPS	F25h	CLC3POL
DA6h	PWM6PRH	E26h	MD2MODPPS	EA6h	RC6PPS	F26h	CLC3SEL0
DA7h	PWM6OFL	E27h	MD3CLPPS	EA7h	RC7PPS	F27h	CLC3SEL1
DA8h	PWM6OFH	E28h	MD3CHPPS	EA8h	—	F28h	CLC3SEL2
DA9h	PWM6TMRL	E29h	MD3MODPPS	EA9h	—	F29h	CLC3SEL3
DAAh	PWM6TMRH	E2Ah	—	EAAh	—	F2Ah	CLC3GLS0
DABh	PWM6CON	E2Bh	—	EABh	—	F2Bh	CLC3GLS1
DACh	PWM6INTE	E2Ch	—	EACH	—	F2Ch	CLC3GLS2
DADh	PWM6INTF	E2Dh	PRG1RPPS	EADh	—	F2Dh	CLC3GLS3
DAEh	PWM6CLKCON	E2Eh	PRG1FPPS	EAEh	—	F2Eh	CLC4CON
DAFh	PWM6LDCON	E2Fh	PRG2RPPS	EAFh	—	F2Fh	CLC4POL
DB0h	PWM6OFCON	E30h	PRG2FPPS	EB0h	—	F30h	CLC4SEL0
DB1h	PWM11PHL	E31h	PRG3FPPS	EB1h	—	F31h	CLC4SEL1
DB2h	PWM11PHH	E32h	PRG3RPPS	EB2h	—	F32h	CLC4SEL2
DB3h	PWM11DCL	E33h	—	EB3h	—	F33h	CLC4SEL3
DB4h	PWM11DCH	E34h	—	EB4h	—	F34h	CLC4GLS0
DB5h	PWM11PRL	E35h	CLCIN0PPS	EB5h	—	F35h	CLC4GLS1
DB6h	PWM11PRH	E36h	CLCIN1PPS	EB6h	—	F36h	CLC4GLS2
DB7h	PWM11OFL	E37h	CLCIN2PPS	EB7h	—	F37h	CLC4GLS3
DB8h	PWM11OFH	E38h	CLCIN3PPS	EB8h	—	F38h	—
DB9h	PWM11TMRL	E39h	ADCACTPPS	EB9h	—	F39h	—
DBAh	PWM11TMRH	E3Ah	SSPCLKPPS	EBAh	—	F3Ah	—
DBBh	PWM11CON	E3Bh	SSPDATPPS	EBBh	—	F3Bh	—
DBCh	PWM11INTE	E3Ch	SSPSSPPS	EBCh	—	F3Ch	—
DBDh	PWM11INTF	E3Dh	RXPPS	EBDh	—	F3Dh	—
DBEh	PWM11CLKCON	E3Eh	CKPPS	EBEh	—	F3Eh	—
DBFh	PWM11LDCON	E3Fh	—	EBFh	—	F3Fh	—
DC0h	PWM11OFCON	E40h	—	EC0h	—	F40h	—
DC1h	—	—	—	—	—	—	—
DEFh	—	E6Fh	—	EEFh	—	F6Fh	—

Legend: = Unimplemented data memory locations, read as '0'.

PIC16(L)F1777/8/9

TABLE 3-15: PIC16(L)F1777/9 MEMORY MAP, BANK 27-30

Bank 27		Bank 28		Bank 29		Bank 30	
D8Ch	—	E0Ch	PPSLOCK	E8Ch	—	F0Ch	—
D8Dh	—	E0Dh	INTPPS	E8Dh	—	F0Dh	—
D8Eh	PWMEN	E0Eh	T0CKIPPS	E8Eh	—	F0Eh	—
D8Fh	PWMLD	E0Fh	T1CKIPPS	E8Fh	—	F0Fh	CLCDATA
D90h	PWMOUT	E10h	T1GPPS	E90h	RA0PPS	F10h	CLC1CON
D91h	PWM5PHL	E11h	T3CKIPPS	E91h	RA1PPS	F11h	CLC1POL
D92h	PWM5PHH	E12h	T3GPPS	E92h	RA2PPS	F12h	CLC1SEL0
D93h	PWM5DCL	E13h	T5CKIPPS	E93h	RA3PPS	F13h	CLC1SEL1
D94h	PWM5DCH	E14h	T5GPPS	E94h	RA4PPS	F14h	CLC1SEL2
D95h	PWM5PRL	E15h	T2INPPS	E95h	RA5PPS	F15h	CLC1SEL3
D96h	PWM5PRH	E16h	T4INPPS	E96h	RA6PPS	F16h	CLC1GLS0
D97h	PWM5OFL	E17h	T6INPPS	E97h	RA7PPS	F17h	CLC1GLS1
D98h	PWM5OFH	E18h	T8INPPS	E98h	RB0PPS	F18h	CLC1GLS2
D99h	PWM5TMRL	E19h	CCP1PPS	E99h	RB1PPS	F19h	CLC1GLS3
D9Ah	PWM5TMRH	E1Ah	CCP2PPS	E9Ah	RB2PPS	F1Ah	CLC2CON
D9Bh	PWM5CON	E1Bh	CCP7PPS	E9Bh	RB3PPS	F1Bh	CLC2POL
D9Ch	PWM5INTE	E1Ch	CCP8PPS	E9Ch	RB4PPS	F1Ch	CLC2SEL0
D9Dh	PWM5INTF	E1Dh	COG1INPPS	E9Dh	RB5PPS	F1Dh	CLC2SEL1
D9Eh	PWM5CLKCON	E1Eh	COG2INPPS	E9Eh	RB6PPS	F1Eh	CLC2SEL2
D9Fh	PWM5LDCON	E1Fh	COG3INPPS	E9Fh	RB7PPS	F1Fh	CLC2SEL3
DA0h	PWM5OFCON	E20h	COG4INPPS	EA0h	RC0PPS	F20h	CLC2GLS0
DA1h	PWM6PHL	E21h	MD1CLPPS	EA1h	RC1PPS	F21h	CLC2GLS1
DA2h	PWM6PHH	E22h	MD1CHPPS	EA2h	RC2PPS	F22h	CLC2GLS2
DA3h	PWM6DCL	E23h	MD1MODPPS	EA3h	RC3PPS	F23h	CLC2GLS3
DA4h	PWM6DCH	E24h	MD2CLPPS	EA4h	RC4PPS	F24h	CLC3CON
DA5h	PWM6PRL	E25h	MD2CHPPS	EA5h	RC5PPS	F25h	CLC3POL
DA6h	PWM6PRH	E26h	MD2MODPPS	EA6h	RC6PPS	F26h	CLC3SEL0
DA7h	PWM6OFL	E27h	MD3CLPPS	EA7h	RC7PPS	F27h	CLC3SEL1
DA8h	PWM6OFH	E28h	MD3CHPPS	EA8h	RD0PPS	F28h	CLC3SEL2
DA9h	PWM6TMRL	E29h	MD3MODPPS	EA9h	RD1PPS	F29h	CLC3SEL3
DAAh	PWM6TMRH	E2Ah	MD4CLPPS	EAAh	RD2PPS	F2Ah	CLC3GLS0
DABh	PWM6CON	E2Bh	MD4CHPPS	EABh	RD3PPS	F2Bh	CLC3GLS1
DACH	PWM6INTE	E2Ch	MD4MODPPS	EACH	RD4PPS	F2Ch	CLC3GLS2
DADh	PWM6INTF	E2Dh	PRG1RPPS	EADh	RD5PPS	F2Dh	CLC3GLS3
DAEh	PWM6CLKCON	E2Eh	PRG1FPPS	EAEh	RD6PPS	F2Eh	CLC4CON
DAFh	PWM6LDCON	E2Fh	PRG2RPPS	EAfh	RD7PPS	F2Fh	CLC4POL
DB0h	PWM6OFCON	E30h	PRG2FPPS	EB0h	RE0PPS	F30h	CLC4SEL0
DB1h	PWM11PHL	E31h	PRG3FPPS	EB1h	RE1PPS	F31h	CLC4SEL1
DB2h	PWM11PHH	E32h	PRG3RPPS	EB2h	RE2PPS	F32h	CLC4SEL2
DB3h	PWM11DCL	E33h	PRG4FPPS	EB3h	—	F33h	CLC4SEL3
DB4h	PWM11DCH	E34h	PRG4RPPS	EB4h	—	F34h	CLC4GLS0
DB5h	PWM11PRL	E35h	CLCIN0PPS	EB5h	—	F35h	CLC4GLS1
DB6h	PWM11PRH	E36h	CLCIN1PPS	EB6h	—	F36h	CLC4GLS2
DB7h	PWM11OFL	E37h	CLCIN2PPS	EB7h	—	F37h	CLC4GLS3
DB8h	PWM11OFH	E38h	CLCIN3PPS	EB8h	—	F38h	—
DB9h	PWM11TMRL	E39h	ADCACTPPS	EB9h	—	F39h	—
DBAh	PWM11TMRH	E3Ah	SSPCLKPPS	EBAh	—	F3Ah	—
DBBh	PWM11CON	E3Bh	SSPDATPPS	EBBh	—	F3Bh	—
DBCh	PWM11INTE	E3Ch	SSPSSPPS	EBCh	—	F3Ch	—
DBDh	PWM11INTF	E3Dh	RXPPS	EBDh	—	F3Dh	—
DBEh	PWM11CLKCON	E3Eh	CKPPS	EBEh	—	F3Eh	—
DBFh	PWM11LDCON	E3Fh	—	EBFh	—	F3Fh	—
DC0h	PWM11OFCON	E40h	—	EC0h	—	F40h	—
DC1h	PWM12PHL	E31h	—	EB1h	—	F31h	—
DC2h	PWM12PHH	E32h	—	EB2h	—	F32h	—
DC3h	PWM12DCL	E33h	—	EB3h	—	F33h	—
DC4h	PWM12DCH	E34h	—	EB4h	—	F34h	—
DC5h	PWM12PRL	E35h	—	EB5h	—	F35h	—
DC6h	PWM12PRH	E36h	—	EB6h	—	F36h	—
DC7h	PWM12OFL	E37h	—	EB7h	—	F37h	—
DC8h	PWM12OFH	E38h	—	EB8h	—	F38h	—
DC9h	PWM12TMRL	E39h	—	EB9h	—	F39h	—
DCAh	PWM12TMRH	E3Ah	—	EBAh	—	F3Ah	—
DCBh	PWM12CON	E3Bh	—	EBBh	—	F3Bh	—
DCCh	PWM12INTE	E3Ch	—	EBCh	—	F3Ch	—
DCDh	PWM12INTF	E3Dh	—	EBDh	—	F3Dh	—
DCEh	PWM12CLKCON	E3Eh	—	EBEh	—	F3Eh	—
DCFh	PWM12LDCON	E3Fh	—	EBFh	—	F3Fh	—
DCFh	PWM12LDCON	E3Fh	—	EBFh	—	F3Fh	—
DD0h	PWM12OFCON	E6Fh	—	EEFh	—	F6Fh	—
DD1h -	—	E6Fh	—	EEFh	—	F6Fh	—
DEFh	—	E6Fh	—	EEFh	—	F6Fh	—

Legend: = Unimplemented data memory locations, read as '0'.

TABLE 3-16: PIC16(L)F1777/8/9 MEMORY MAP, BANK 31

Bank 31	
F8Ch	Unimplemented Read as '0'
FE3h	Unimplemented Read as '0'
FE4h	STATUS_SHAD
FE5h	WREG_SHAD
FE6h	BSR_SHAD
FE7h	PCLATH_SHAD
FE8h	FSR0L_SHAD
FE9h	FSR0H_SHAD
FEAh	FSR1L_SHAD
FEBh	FSR1H_SHAD
FECh	—
FEDh	STKPTR
FEEh	TOSL
FEFh	TOSH

Legend: = Unimplemented data memory locations, read as '0'.

PIC16(L)F1777/8/9

3.4.5 CORE FUNCTION REGISTERS SUMMARY

The Core Function registers listed in [Table 3-17](#) can be addressed from any Bank.

TABLE 3-17: CORE FUNCTION REGISTERS SUMMARY⁽¹⁾

Addr	Name	Bit 7	Bit 6	Bit 5	Bit 4	Bit 3	Bit 2	Bit 1	Bit 0	Value on POR, BOR	Value on all other Resets	
Bank 0-31												
x00h or x80h	INDF0	Addressing this location uses contents of FSR0H/FSR0L to address data memory (not a physical register)								xxxx xxxx	uuuu uuuu	
x01h or x81h	INDF1	Addressing this location uses contents of FSR1H/FSR1L to address data memory (not a physical register)								xxxx xxxx	uuuu uuuu	
x02h or x82h	PCL	Program Counter (PC) Least Significant Byte								0000 0000	0000 0000	
x03h or x83h	STATUS	—	—	—	\overline{TO}	\overline{PD}	Z	DC	C	---1 1000	---q quuu	
x04h or x84h	FSR0L	Indirect Data Memory Address 0 Low Pointer								0000 0000	uuuu uuuu	
x05h or x85h	FSR0H	Indirect Data Memory Address 0 High Pointer								0000 0000	0000 0000	
x06h or x86h	FSR1L	Indirect Data Memory Address 1 Low Pointer								0000 0000	uuuu uuuu	
x07h or x87h	FSR1H	Indirect Data Memory Address 1 High Pointer								0000 0000	0000 0000	
x08h or x88h	BSR	—	—	—	BSR4	BSR3	BSR2	BSR1	BSR0	---0 0000	---0 0000	
x09h or x89h	WREG	Working Register								0000 0000	uuuu uuuu	
x0Ah or x8Ah	PCLATH	—	Write Buffer for the upper 7 bits of the Program Counter								-000 0000	-000 0000
x0Bh or x8Bh	INTCON	GIE	PEIE	TMR0IE	INTE	IOCFIE	TMR0IF	INTF	IOCFIF	0000 0000	0000 0000	

Legend: x = unknown, u = unchanged, q = value depends on condition, - = unimplemented, read as '0', r = reserved.
Shaded locations are unimplemented, read as '0'.

Note 1: These registers can be addressed from any bank.

TABLE 3-18: SPECIAL FUNCTION REGISTER SUMMARY

Addr	Name	Bit 7	Bit 6	Bit 5	Bit 4	Bit 3	Bit 2	Bit 1	Bit 0	Value on POR, BOR	Value on all other Resets
Bank 0											
00Ch	PORTA	RA7	RA6	RA5	RA4	RA3	RA2	RA1	RA0	xxxx xxxx	uuuu uuuu
00Dh	PORTB	RB7	RB6	RB5	RB4	RB3	RB2	RB1	RB0	xxxx xxxx	uuuu uuuu
00Eh	PORTC	RC7	RC6	RC5	RC4	RC3	RC2	RC1	RC0	xxxx xxxx	uuuu uuuu
00Fh	PORTD ⁽³⁾	RD7	RD6	RD5	RD4	RD3	RD2	RD1	RD0	xxxx xxxx	uuuu uuuu
010h	PORTE	—	—	—	—	RE3	RE2 ⁽³⁾	RE1 ⁽³⁾	RE0 ⁽³⁾	---- xxxx	---- uuuu
011h	PIR1	TMR1GIF	ADIF	RCIF	TXIF	SSP1IF	CCP1IF	TMR2IF	TMR1IF	0000 0000	0000 0000
012h	PIR2	OSFIF	C2IF	C1IF	COG1IF	BCL1IF	C4IF	C3IF	CCP2IF	0000 0000	0000 0000
013h	PIR3	—	—	COG2IF	ZCDIF	CLC4IF	CLC3IF	CLC2IF	CLC1IF	--00 0000	--00 0000
014h	PIR4	—	TMR8IF	TMR5GIF	TMR5IF	TMR3GIF	TMR3IF	TMR6IF	TRM4IF	-000 0000	-000 0000
015h	PIR5	CCP8IF ⁽³⁾	CCP7IF	COG4IF ⁽³⁾	COG3IF	C8IF ⁽³⁾	C7IF ⁽³⁾	C6IF	C5IF	0000 --00	0000 --00
016h	PIR6	—	—	—	—	PWM12IF ⁽³⁾	PWM11IF	PWM6IF	PWM5IF	---- 0000	---- 0000
017h	TMR0	Timer0 Module Register								0000 0000	0000 0000
018h	TMR1L	Holding Register for the Least Significant Byte of the 16-bit TMR1 Register								xxxx xxxx	uuuu uuuu
019h	TMR1H	Holding Register for the Most Significant Byte of the 16-bit TMR1 Register								xxxx xxxx	uuuu uuuu
01Ah	T1CON	CS<1:0>		CKPS<1:0>		OSCEN	$\overline{\text{SYNC}}$	—	ON	0000 00-0	uuuu uu-u
01Bh	T1GCON	GE	GPOL	GTM	GSPM	GGO/DONE	GVAL	GSS<1:0>		0000 0x00	uuuu uxuu
01Ch	TMR3L	Holding Register for the Least Significant Byte of the 16-bit TMR3 Register								xxxx xxxx	uuuu uuuu
01Dh	TMR3H	Holding Register for the Most Significant Byte of the 16-bit TMR3 Register								xxxx xxxx	uuuu uuuu
01Eh	T3CON	CS<1:0>		CKPS<1:0>		OSCEN	$\overline{\text{SYNC}}$	—	ON	0000 00-0	uuuu uu-u
01Fh	T3GCON	GE	GPOL	GTM	GSPM	GGO/ $\overline{\text{DONE}}$	GVAL	GSS<1:0>		0000 0x00	uuuu uxuu

Legend: x = unknown, u = unchanged, q = value depends on condition, - = unimplemented, read as '0', r = reserved.
Shaded locations are unimplemented, read as '0'.

- Note**
- 1: Unimplemented, read as '1'.
 - 2: Unimplemented on PIC16LF1777/8/9.
 - 3: Unimplemented on PIC16(L)F1778.

TABLE 3-18: SPECIAL FUNCTION REGISTER SUMMARY (CONTINUED)

Addr	Name	Bit 7	Bit 6	Bit 5	Bit 4	Bit 3	Bit 2	Bit 1	Bit 0	Value on POR, BOR	Value on all other Resets	
Bank 1												
08Ch	TRISA	TRISA7	TRISA6	TRISA5	TRISA4	TRISA3	TRISA2	TRISA1	TRISA0	1111 1111	1111 1111	
08Dh	TRISB	TRISB7	TRISB6	TRISB5	TRISB4	TRISB3	TRISB2	TRISB1	TRISB0	1111 1111	1111 1111	
08Eh	TRISC	TRISC7	TRISC6	TRISC5	TRISC4	TRISC3	TRISC2	TRISC1	TRISC0	1111 1111	1111 1111	
08Fh	TRISD ⁽³⁾	TRISD7	TRISD6	TRISD5	TRISD4	TRISD3	TRISD2	TRISD1	TRISD0	1111 1111	1111 1111	
090h	TRISE	—	—	—	—	— ⁽¹⁾	TRISE2 ⁽³⁾	TRISE1 ⁽³⁾	TRISE0 ⁽³⁾	---- 1111	---- 1111	
091h	PIE1	TMR1GIE	ADIE	RCIE	TXIE	SSP1IE	CCP1IE	TMR2IE	TMR1IE	0000 0000	0000 0000	
092h	PIE2	OSFIE	C2IE	C1IE	COG1IE	BCL1IE	C4IE	C3IE	CCP2IE	0000 0000	0000 0000	
093h	PIE3	—	—	COG2IE	ZCDIE	CLC4IE	CLC3IE	CLC2IE	CLC1IE	--00 0000	--00 0000	
094h	PIE4	—	TMR8IE	TMR5GIE	TMR5IE	TMR3GIE	TMR3IE	TMR6IE	TRM4IE	-000 0000	-000 0000	
095h	PIE5	CCP8IE ⁽³⁾	CCP7IE	COG4IE ⁽³⁾	COG3IE	C8IE ⁽³⁾	C7IE ⁽³⁾	C6IE	C5IE	0000 0000	0000 0000	
096h	PIE6	—	—	—	—	PWM12IE ⁽³⁾	PWM11IE	PWM6IE	PWM5IE	---- 0000	---- 0000	
097h	OPTION_REG	$\overline{\text{WPUEN}}$	INTEDG	TMR0CS	TMR0SE	PSA	PS<2:0>			1111 1111	1111 1111	
098h	PCON	STKOVF	STKUNF	—	$\overline{\text{RWDT}}$	$\overline{\text{RMCLR}}$	$\overline{\text{RI}}$	$\overline{\text{POR}}$	$\overline{\text{BOR}}$	00-1 11qq	qq-p qqnn	
099h	WDTCON	—	—	WDTPS<4:0>					SWDTEN	--01 0110	--01 0110	
09Ah	OSCTUNE	—	—	TUN<5:0>					—	--00 0000	--00 0000	
09Bh	OSCCON	SPLLEN	IRCF<3:0>				—	SCS<1:0>			0011 1-00	0011 1-00
09Ch	OSCSTAT	SOSCR	PLLOR	OSTS	HFIOFR	HFIOFL	MFIOFR	LFIOFR	HFIOFS	0qq0 0q0q	qqqq qq0q	
09Dh	BORCON	SBOREN	BORFS	—	—	—	—	—	BORRDY	10-- ---q	uu-- ---u	
09Eh	FVRCON	FVREN	FVRRDY	TSEN	TSRNG	CDAFVR<1:0>			ADFVR<1:0>	0q00 0000	0q00 0000	
09Fh	ZCD1CON	EN	—	OUT	POL	—	—	INTP	INTN	0-x0 --00	0-x0 --00	

Legend: x = unknown, u = unchanged, q = value depends on condition, - = unimplemented, read as '0', r = reserved.
Shaded locations are unimplemented, read as '0'.

- Note** 1: Unimplemented, read as '1'.
2: Unimplemented on PIC16LF1777/8/9.
3: Unimplemented on PIC16(L)F1778.

TABLE 3-18: SPECIAL FUNCTION REGISTER SUMMARY (CONTINUED)

Addr	Name	Bit 7	Bit 6	Bit 5	Bit 4	Bit 3	Bit 2	Bit 1	Bit 0	Value on POR, BOR	Value on all other Resets
Bank 2											
10Ch	LATA	LATA7	LATA6	LATA5	LATA4	LATA3	LATA2	LATA1	LATA0	xxxx xxxx	uuuu uuuu
10Dh	LATB	LATB7	LATB6	LATB5	LATB4	LATB3	LATB2	LATB1	LATB0	xxxx xxxx	uuuu uuuu
10Eh	LATC	LATC7	LATC6	LATC5	LATC4	LATC3	LATC2	LATC1	LATC0	xxxx xxxx	uuuu uuuu
10Fh	LATD ⁽³⁾	LATD7	LATD6	LATD5	LATD4	LATD3	LATD2	LATD1	LATD0	xxxx xxxx	uuuu uuuu
110h	LATE ⁽³⁾	—	—	—	—	—	LATE2	LATE1	LATE0	---- -111	---- -111
111h	CMOUT	MC8OUT ⁽³⁾	MC7OUT ⁽³⁾	MC6OUT	MC5OUT	MC4OUT	MC3OUT	MC2OUT	MC1OUT	0000 0000	0000 0000
112h	CM1CON0	ON	OUT	—	POL	ZLF	Reserved	HYS	SYNC	00-0 0100	00-0 0100
113h	CM1CON1	—	—	—	—	—	—	INTP	INTN	---- --00	---- --00
114h	CM1NSEL	—	—	—	—	NCH<3:0>				---- 0000	---- 0000
115h	CM1PSEL	—	—	—	—	PCH<3:0>				---- 0000	---- 0000
116h	CM2CON0	ON	OUT	—	POL	ZLF	Reserved	HYS	SYNC	00-0 0100	00-0 0100
117h	CM2CON1	—	—	—	—	—	—	INTP	INTN	---- --00	---- --00
118h	CM2NSEL	—	—	—	—	NCH<3:0>				---- 0000	---- 0000
119h	CM2PSEL	—	—	—	—	PCH<3:0>				---- 0000	---- 0000
11Ah	CM3CON0	ON	OUT	—	POL	ZLF	Reserved	HYS	SYNC	00-0 0100	00-0 0100
11Bh	CM3CON1	—	—	—	—	—	—	INTP	INTN	---- --00	---- --00
11Ch	CM3NSEL	—	—	—	—	NCH<3:0>				---- 0000	---- 0000
11Dh	CM3PSEL	—	—	—	—	PCH<3:0>				---- 0000	---- 0000
11Eh	—	Unimplemented								—	—
11Fh	—	Unimplemented								—	—

Legend: x = unknown, u = unchanged, q = value depends on condition, - = unimplemented, read as '0', r = reserved.
Shaded locations are unimplemented, read as '0'.

- Note** 1: Unimplemented, read as '1'.
2: Unimplemented on PIC16LF1777/8/9.
3: Unimplemented on PIC16(L)F1778.

TABLE 3-18: SPECIAL FUNCTION REGISTER SUMMARY (CONTINUED)

Addr	Name	Bit 7	Bit 6	Bit 5	Bit 4	Bit 3	Bit 2	Bit 1	Bit 0	Value on POR, BOR	Value on all other Resets	
Bank 3												
18Ch	ANSELA	—	—	ANSA5	ANSA4	ANSA3	ANSA2	ANSA1	ANSA0	--11 1111	--11 1111	
18Dh	ANSELB	—	—	ANSB5	ANSB4	ANSB3	ANSB2	ANSB1	ANSB0	--11 1111	--11 1111	
18Eh	ANSELC	ANSC7	ANSC6	ANSC5	ANSC4	ANSC3	ANSC2	—	—	1111 11--	1111 11--	
18Fh	ANSELD ⁽³⁾	ANSD7	ANSD6	ANSD5	ANSD4	ANSD3	ANSD2	ANSD1	ANSD0	1111 1111	1111 1111	
190h	ANSELE ⁽³⁾	—	—	—	—	—	ANSE2	ANSE1	ANSE0	---- -111	---- -111	
191h	PMADRL	Program Memory Address Register Low Byte								0000 0000	0000 0000	
192h	PMADRH	— ⁽¹⁾	Program Memory Address Register High Byte								1000 0000	1000 0000
193h	PMDATL	Program Memory Read Data Register Low Byte								xxxx xxxx	uuuu uuuu	
194h	PMDATH	—	—	Program Memory Read Data Register High Byte						--xx xxxx	--uu uuuu	
195h	PMCON1	— ⁽¹⁾	CFG5	LWLO	FREE	WRERR	WREN	WR	RD	1000 x000	1000 q000	
196h	PMCON2	Program Memory Control Register 2								0000 0000	0000 0000	
197h	VREGCON	—	—	—	—	—	—	VREGPM ⁽²⁾	Reserved	---- --01	---- --01	
198h	—	Unimplemented								—	—	
198h	—	Unimplemented								—	—	
199h	RC1REG	EUSART Receive Data Register								0000 0000	0000 0000	
19Ah	TX1REG	EUSART Transmit Data Register								0000 0000	0000 0000	
19Bh	SP1BRGL	SP1BRG<7:0>								0000 0000	0000 0000	
19Ch	SP1BRGH	SP1BRG<15:8>								0000 0000	0000 0000	
19Dh	RC1STA	SPEN	RX9	SREN	CREN	ADDEN	FERR	OERR	RX9D	0000 0000	0000 0000	
19Eh	TX1STA	CSRC	TX9	TXEN	SYNC	SENDB	BRGH	TRMT	TX9D	0000 0010	0000 0010	
19Fh	BAUD1CON	ABDOVF	RCIDL	—	SCKP	BRG16	—	WUE	ABDEN	01-0 0-00	01-0 0-00	
199h — 19Fh	—	Unimplemented								—	—	

Legend: x = unknown, u = unchanged, q = value depends on condition, - = unimplemented, read as '0', r = reserved.
Shaded locations are unimplemented, read as '0'.

- Note** 1: Unimplemented, read as '1'.
2: Unimplemented on PIC16LF1777/8/9.
3: Unimplemented on PIC16(L)F1778.

TABLE 3-18: SPECIAL FUNCTION REGISTER SUMMARY (CONTINUED)

Addr	Name	Bit 7	Bit 6	Bit 5	Bit 4	Bit 3	Bit 2	Bit 1	Bit 0	Value on POR, BOR	Value on all other Resets	
Bank 4												
20Ch	WPUA	WPUA7	WPUA6	WPUA5	WPUA4	WPUA3	WPUA2	WPUA1	WPUA0	1111 1111	1111 1111	
20Dh	WPUB	WPUB7	WPUB6	WPUB5	WPUB4	WPUB3	WPUB2	WPUB1	WPUB0	1111 1111	1111 1111	
20Eh	WPUC	WPUC7	WPUC6	WPUC5	WPUC4	WPUC3	WPUC2	WPUC1	WPUC0	1111 1111	1111 1111	
20Fh	WPUD ⁽³⁾	WPUD7	WPUD6	WPUD5	WPUD4	WPUD3	WPUD2	WPUD1	WPUD0	1111 1111	1111 1111	
210h	WPUE	—	—	—	—	WPUE3	WPUE2 ⁽³⁾	WPUE1 ⁽³⁾	WPUE0 ⁽³⁾	---- 1111	---- 1111	
211h	SSP1BUF	Synchronous Serial Port Receive Buffer/Transmit Register								xxxx xxxx	uuuu uuuu	
212h	SSP1ADD	ADD<7:0>								0000 0000	0000 0000	
213h	SSP1MSK	MSK<7:0>								1111 1111	1111 1111	
214h	SSP1STAT	SMP	CKE	D/A	P	S	R \bar{W}	UA	BF	0000 0000	0000 0000	
215h	SSP1CON1	WCOL	SSPOV	SSPEN	CKP	SSPM<3:0>				0000 0000	0000 0000	
216h	SSP1CON2	GCEN	ACKSTAT	ACKDT	ACKEN	RCEN	PEN	RSEN	SEN	0000 0000	0000 0000	
217h	SSP1CON3	ACKTIM	PCIE	SCIE	BOEN	SDAHT	SBCDE	AHEN	DHEN	0000 0000	0000 0000	
218h — 21Ah	—	Unimplemented								—	—	
21Bh	MD3CON0	EN	—	OUT	OPOL	—	—	—	BIT	0-00 ---0	0-00 ---0	
21Ch	MD3CON1	—	—	CHPOL	CHSYNC	—	—	CLPOL	CLSYNC	--00 --00	--00 --00	
21Dh	MD3SRC	—	—	—	MS<4:0>				---	0000	---	0000
21Eh	MD3CARL	—	—	—	CL<4:0>				---	0000	---	0000
21Fh	MD3CARH	—	—	—	CH<4:0>				---	0000	---	0000

Legend: x = unknown, u = unchanged, α = value depends on condition, - = unimplemented, read as '0', r = reserved.
Shaded locations are unimplemented, read as '0'.

- Note**
- 1: Unimplemented, read as '1'.
 - 2: Unimplemented on PIC16LF1777/8/9.
 - 3: Unimplemented on PIC16(L)F1778.

TABLE 3-18: SPECIAL FUNCTION REGISTER SUMMARY (CONTINUED)

Addr	Name	Bit 7	Bit 6	Bit 5	Bit 4	Bit 3	Bit 2	Bit 1	Bit 0	Value on POR, BOR	Value on all other Resets
Bank 5											
28Ch	ODCONA	ODA7	ODA6	ODA5	ODA4	ODA3	ODA2	ODA1	ODA0	0000 0000	0000 0000
28Dh	ODCONB	ODB7	ODB6	ODB5	ODB4	ODB3	ODB2	ODB1	ODB0	0000 0000	0000 0000
28Eh	ODCONC	ODC7	ODC6	ODC5	ODC4	ODC3	ODC2	ODC1	ODC0	0000 0000	0000 0000
28Fh	ODCOND ⁽³⁾	ODD7	ODD6	ODD5	ODD4	ODD3	ODD2	ODD1	ODD0	0000 0000	0000 0000
290h	ODCONE ⁽³⁾	—	—	—	—	—	ODE2	ODE1	ODE0	---- -000	--- -000
291h	CCPR1L	Capture/Compare/PWM Register 1 (LSB)								xxxx xxxx	uuuu uuuu
292h	CCPR1H	Capture/Compare/PWM Register 1 (MSB)								xxxx xxxx	uuuu uuuu
293h	CCP1CON	EN	—	OUT	FMT	MODE<3:0>			0-00 0000	0-00 0000	
294h	CCP1CAP	—	—	—	—	CTS<3:0>			---- 0000	---- 0000	
295h	CCPR2L	Capture/Compare/PWM Register 2 (LSB)								xxxx xxxx	uuuu uuuu
296h	CCPR2H	Capture/Compare/PWM Register 2 (MSB)								xxxx xxxx	uuuu uuuu
297h	CCP2CON	EN	—	OUT	FMT	MODE<3:0>			0-00 0000	0-00 0000	
298h	CCP2CAP	—	—	—	—	CTS<3:0>			---- 0000	---- 0000	
299h	CCPR7L	Capture/Compare/PWM Register 7 (LSB)								xxxx xxxx	uuuu uuuu
29Ah	CCPR7H	Capture/Compare/PWM Register 7 (MSB)								xxxx xxxx	uuuu uuuu
29Bh	CCP7CON	EN	—	OUT	FMT	MODE<3:0>			0-00 0000	0-00 0000	
29Ch	CCP7CAP	—	—	—	—	CTS<3:0>			---- 0000	---- 0000	
29Dh	—	Unimplemented								—	—
29Eh	CCPTMRS1	C8TSEL<1:0> ⁽³⁾		C7TSEL<1:0>		C2TSEL<1:0>		C1TSEL<1:0>		--00 0000	--00 0000
29Fh	CCPTMRS2	P10TSEL<1:0> ⁽³⁾		P9TSEL<1:0>		P4TSEL<1:0>		P3TSEL<1:0>		--00 0000	--00 0000

Legend: x = unknown, u = unchanged, q = value depends on condition, - = unimplemented, read as '0', r = reserved.
Shaded locations are unimplemented, read as '0'.

- Note** 1: Unimplemented, read as '1'.
2: Unimplemented on PIC16LF1777/8/9.
3: Unimplemented on PIC16(L)F1778.

TABLE 3-18: SPECIAL FUNCTION REGISTER SUMMARY (CONTINUED)

Addr	Name	Bit 7	Bit 6	Bit 5	Bit 4	Bit 3	Bit 2	Bit 1	Bit 0	Value on POR, BOR	Value on all other Resets
Bank 6											
30Ch	SLRCONA	SLRA7	SLRA6	SLRA5	SLRA4	SLRA3	SLRA2	SLRA1	SLRA0	1111 1111	1111 1111
30Dh	SLRCONB	SLRB7	SLRB6	SLRB5	SLRB4	SLRB3	SLRB2	SLRB1	SLRB0	1111 1111	1111 1111
30Eh	SLRCONC	SLRC7	SLRC6	SLRC5	SLRC4	SLRC3	SLRC2	SLRC1	SLRC0	1111 1111	1111 1111
30Fh	SLRCOND ⁽³⁾	SLRD7	SLRD6	SLRD5	SLRD4	SLRD3	SLRD2	SLRD1	SLRD0	1111 1111	1111 1111
310h	SLRCONC ⁽³⁾	—	—	—	—	—	SLRE2	SLRE1	SLRE0	---- -111	---- -111
311h	CCPR8L	Capture/Compare/PWM Register 8 (LSB)								xxxx xxxx	uuuu uuuu
312h	CCPR8H	Capture/Compare/PWM Register 8 (MSB)								xxxx xxxx	uuuu uuuu
313h	CCP8CON	EN	—	OUT	FMT	MODE<3:0>			0-00 0000	0-00 0000	
314h	CCP8CAP	—	—	—	—	CTS<3:0>			---- 0000	---- 0000	
315h	MD1CON0	EN	—	OUT	OPOL	—	—	—	BIT	0-00 ---0	0-00 ---0
316h	MD1CON1	—	—	CHPOL	CHSYNC	—	—	CLPOL	CLSYNC	--00 --00	--00 --00
317h	MD1SRC	—	—	—	MS<4:0>			---	0000	---	0000
318h	MD1CARL	—	—	—	CL<4:0>			---	0000	---	0000
319h	MD1CARH	—	—	—	CH<4:0>			---	0000	---	0000
31Ah	—	Unimplemented								—	—
31Bh	MD2CON0	EN	—	OUT	OPOL	—	—	—	BIT	0-00 ---0	0-00 ---0
31Ch	MD2CON1	—	—	CHPOL	CHSYNC	—	—	CLPOL	CLSYNC	--00 --00	--00 --00
31Dh	MD2SRC	—	—	—	MS<4:0>			---	0000	---	0000
31Eh	MD2CARL	—	—	—	CL<4:0>			---	0000	---	0000
31Fh	MD2CARH	—	—	—	CH<4:0>			---	0000	---	0000

Legend: x = unknown, u = unchanged, q = value depends on condition, - = unimplemented, read as '0', r = reserved.
Shaded locations are unimplemented, read as '0'.

- Note** 1: Unimplemented, read as '1'.
2: Unimplemented on PIC16LF1777/8/9.
3: Unimplemented on PIC16(L)F1778.

TABLE 3-18: SPECIAL FUNCTION REGISTER SUMMARY (CONTINUED)

Addr	Name	Bit 7	Bit 6	Bit 5	Bit 4	Bit 3	Bit 2	Bit 1	Bit 0	Value on POR, BOR	Value on all other Resets
Bank 7											
38Ch	INLVLA	INLVLA7	INLVLA6	INLVLA5	INLVLA4	INLVLA3	INLVLA2	INLVLA1	INLVLA0	1111 1111	1111 1111
38Dh	INVLVB	INVLVB7	INVLVB6	INVLVB5	INVLVB4	INVLVB3	INVLVB2	INVLVB1	INVLVB0	1111 1111	1111 1111
38Eh	INLVLC	INLVLC7	INLVLC6	INLVLC5	INLVLC4	INLVLC3	INLVLC2	INLVLC1	INLVLC0	1111 1111	1111 1111
38Fh	INLVLD ⁽³⁾	INLVLD7	INLVLD6	INLVLD5	INLVLD4	INLVLD3	INLVLD2	INLVLD1	INLVLD0	1111 1111	1111 1111
390h	INLVLE ⁽³⁾	—	—	—	—	INLVLE3	INLVLE2	INLVLE1	INLVLE0	---- 1111	---- 1111
391h	IOCAP	IOCAP7	IOCAP6	IOCAP5	IOCAP4	IOCAP3	IOCAP2	IOCAP1	IOCAP0	0000 0000	0000 0000
392h	IOCAN	IOCAN7	IOCAN6	IOCAN5	IOCAN4	IOCAN3	IOCAN2	IOCAN1	IOCAN0	0000 0000	0000 0000
393h	IOCAF	IOCAF7	IOCAF6	IOCAF5	IOCAF4	IOCAF3	IOCAF2	IOCAF1	IOCAF0	0000 0000	0000 0000
394h	IOCBP	IOCBP7	IOCBP6	IOCBP5	IOCBP4	IOCBP3	IOCBP2	IOCBP1	IOCBP0	0000 0000	0000 0000
395h	IOCBN	IOCBN7	IOCBN6	IOCBN5	IOCBN4	IOCBN3	IOCBN2	IOCBN1	IOCBN0	0000 0000	0000 0000
396h	IOCBF	IOCBF7	IOCBF6	IOCBF5	IOCBF4	IOCBF3	IOCBF2	IOCBF1	IOCBF0	0000 0000	0000 0000
397h	IOCCP	IOCCP7	IOCCP6	IOCCP5	IOCCP4	IOCCP3	IOCCP2	IOCCP1	IOCCP0	0000 0000	0000 0000
398h	IOCCN	IOCCN7	IOCCN6	IOCCN5	IOCCN4	IOCCN3	IOCCN2	IOCCN1	IOCCN0	0000 0000	0000 0000
399h	IOCCF	IOCCF7	IOCCF6	IOCCF5	IOCCF4	IOCCF3	IOCCF2	IOCCF1	IOCCF0	0000 0000	0000 0000
39Ah	—	Unimplemented								—	—
39Bh	—	Unimplemented								—	—
39Ch	—	Unimplemented								—	—
39Dh	IOCEP	—	—	—	—	IOCEP3	—	—	—	---- 0---	---- 0---
39Eh	IOCEN	—	—	—	—	IOCEN3	—	—	—	---- 0---	---- 0---
39Fh	IOCEF	—	—	—	—	IOCEF3	—	—	—	---- 0---	---- 0---

Legend: x = unknown, u = unchanged, q = value depends on condition, - = unimplemented, read as '0', r = reserved.
Shaded locations are unimplemented, read as '0'.

- Note** 1: Unimplemented, read as '1'.
2: Unimplemented on PIC16LF1777/8/9.
3: Unimplemented on PIC16(L)F1778.

TABLE 3-18: SPECIAL FUNCTION REGISTER SUMMARY (CONTINUED)

Addr	Name	Bit 7	Bit 6	Bit 5	Bit 4	Bit 3	Bit 2	Bit 1	Bit 0	Value on POR, BOR	Value on all other Resets	
Bank 8												
40Ch	—	Unimplemented									—	—
40Ch	—	Unimplemented									—	—
40Dh	HIDRVB	—	—	—	—	—	—	HIDB1	HIDB0	---- --00	---- --00	
40Eh	—	Unimplemented									—	—
40Fh	TMR5L	Holding Register for the Least Significant Byte of the 16-bit TMR5 Register									xxxx xxxx	uuuu uuuu
410h	TMR5H	Holding Register for the Most Significant Byte of the 16-bit TMR5 Register									xxxx xxxx	uuuu uuuu
411h	T5CON	CS<1:0>			CKPS<1:0>		OSCEN	SYNC	—	ON	0000 00-0	uuuu uu-u
412h	T5GCON	GE	GPOL	GTM	GSPM	GGO/ DONE	GVAL	GSS<1:0>			0000 0x00	uuuu uxuu
413h	T4TMR	Holding Register for the 8-bit TMR4 Register									0000 0000	0000 0000
414h	T4PR	TMR4 Period Register									1111 1111	1111 1111
415h	T4CON	ON	CKPS<2:0>			OUTPS<3:0>			0000 0000			
416h	T4HLT	PSYNC	CKPOL	CKSYNC	MODE<4:0>			---0 0000				
417h	T4CLKCON	—	—	—	—	CS<3:0>			---- 0000			
418h	T4RST	—	—	—	RSEL<4:0>			---0 0000				
419h	—	Unimplemented									—	—
41Ah	T6TMR	Holding Register for the 8-bit TMR6 Register									0000 0000	0000 0000
41Bh	T6PR	TMR6 Period Register									1111 1111	1111 1111
41Ch	T6CON	ON	CKPS<2:0>			OUTPS<3:0>			0000 0000			
41Dh	T6HLT	PSYNC	CKPOL	CKSYNC	MODE<4:0>			---0 0000				
41Eh	T6CLKCON	—	—	—	—	CS<3:0>			---- 0000			
41Fh	T6RST	—	—	—	RSEL<4:0>			---0 0000				

Legend: x = unknown, u = unchanged, q = value depends on condition, - = unimplemented, read as '0', r = reserved.
Shaded locations are unimplemented, read as '0'.

- Note**
- 1: Unimplemented, read as '1'.
 - 2: Unimplemented on PIC16LF1777/8/9.
 - 3: Unimplemented on PIC16(L)F1778.

TABLE 3-18: SPECIAL FUNCTION REGISTER SUMMARY (CONTINUED)

Addr	Name	Bit 7	Bit 6	Bit 5	Bit 4	Bit 3	Bit 2	Bit 1	Bit 0	Value on POR, BOR	Value on all other Resets		
Bank 9													
48Ch to 48Dh	—	Unimplemented								—	—		
48Eh	ADRESL	ADC Result Register Low								xxxx xxxx	uuuu uuuu		
48Fh	ADRESH	ADC Result Register High								xxxx xxxx	uuuu uuuu		
490h	ADCON0	CHS<5:0>						GO/DONE	ADON	0000 0000	0000 0000		
491h	ADCON1	ADFM	ADCS<2:0>			—	ADNREF	ADPREF<1:0>		0000 -000	0000 -000		
492h	ADCON2	—	—	TRIGSEL<5:0>								--00 0000	--00 0000
493h	T2TMR	Holding Register for the 8-bit TMR2 Register								0000 0000	0000 0000		
494h	T2PR	TMR2 Period Register								1111 1111	1111 1111		
495h	T2CON	ON	CKPS<2:0>			OUTPS<3:0>			0000 0000	0000 0000			
496h	T2HLT	PSYNC	CKPOL	CKSYNC	MODE<4:0>					0000 0000	0000 0000		
497h	T2CLKCON	—	—	—	—	CS<3:0>				---- 0000	---- 0000		
498h	T2RST	—	—	—	RSEL<4:0>					---0 0000	---0 0000		
499h	—	Unimplemented								—	—		
49Ah	T8TMR	Holding Register for the 8-bit TMR8 Register								0000 0000	0000 0000		
49Bh	T8PR	TMR8 Period Register								1111 1111	1111 1111		
49Ch	T8CON	ON	CKPS<2:0>			OUTPS<3:0>			0000 0000	0000 0000			
49Dh	T8HLT	PSYNC	CKPOL	CKSYNC	MODE<4:0>					0000 0000	0000 0000		
49Eh	T8CLKCON	—	—	—	—	CS<3:0>				---- 0000	---- 0000		
49Fh	T8RST	—	—	—	RSEL<4:0>					---0 0000	---0 0000		

Legend: x = unknown, u = unchanged, c = value depends on condition, - = unimplemented, read as '0', r = reserved.
Shaded locations are unimplemented, read as '0'.

- Note** 1: Unimplemented, read as '1'.
2: Unimplemented on PIC16LF1777/8/9.
3: Unimplemented on PIC16(L)F1778.

TABLE 3-18: SPECIAL FUNCTION REGISTER SUMMARY (CONTINUED)

Addr	Name	Bit 7	Bit 6	Bit 5	Bit 4	Bit 3	Bit 2	Bit 1	Bit 0	Value on POR, BOR	Value on all other Resets		
Bank 10													
50Ch — 50Eh		Unimplemented								—	—		
50Fh	OPA1NCHS	—	—	—	—	NCH<3:0>			----	0000	----	0000	
510h	OPA1PCHS	—	—	—	—	PCH<3:0>			----	0000	----	0000	
511h	OPA1CON	EN	—	—	UG	—	ORPOL	ORM<1:0>		0--0	-000	0--0	-000
512h	OPA1ORS	—	—	—	ORS<4:0>					---0	0000	---0	0000
513h	OPA2NCHS	—	—	—	—	NCH<3:0>			----	0000	----	0000	
514h	OPA2PCHS	—	—	—	—	PCH<3:0>			----	0000	----	0000	
515h	OPA2CON	EN	—	—	UG	—	ORPOL	ORM<1:0>		0--0	-000	0--0	-000
516h	OPA2ORS	—	—	—	ORS<4:0>					---0	0000	---0	0000
517h	OPA3NCHS	—	—	—	—	NCH<3:0>			----	0000	----	0000	
518h	OPA3PCHS	—	—	—	—	PCH<3:0>			----	0000	----	0000	
519h	OPA3CON	EN	SP	—	UG	—	ORPOL	ORM<1:0>		00-0	-000	00-0	-000
51Ah	OPA3ORS	—	—	—	ORS<4:0>					---0	0000	---0	0000
51Bh	OPA4NCHS ⁽³⁾	—	—	—	—	NCH<3:0>			----	0000	----	0000	
51Ch	OPA4PCHS ⁽³⁾	—	—	—	—	PCH<3:0>			----	0000	----	0000	
51Dh	OPA4CON ⁽³⁾	EN	SP	—	UG	—	ORPOL	ORM<1:0>		00-0	-000	00-0	-000
51Eh	OPA4ORS ⁽³⁾	—	—	—	ORS<4:0>					---0	0000	---0	0000
51Fh	—	Unimplemented								—	—		

Legend: x = unknown, u = unchanged, q = value depends on condition, - = unimplemented, read as '0', r = reserved.
Shaded locations are unimplemented, read as '0'.

- Note** 1: Unimplemented, read as '1'.
2: Unimplemented on PIC16LF1777/8/9.
3: Unimplemented on PIC16(L)F1778.

TABLE 3-18: SPECIAL FUNCTION REGISTER SUMMARY (CONTINUED)

Addr	Name	Bit 7	Bit 6	Bit 5	Bit 4	Bit 3	Bit 2	Bit 1	Bit 0	Value on POR, BOR	Value on all other Resets
Bank 11											
58Ch	—	Unimplemented								—	—
58Dh	DACL	—	—	DAC6LD ⁽³⁾	DAC5LD	—	—	DAC2LD	DAC1LD	--00 --00	--00 --00
58Eh	DAC1CON0	EN	FM	OE1	OE2	PSS<1:0>		NSS<1:0>		0000 0000	0000 0000
58Fh	DAC1REFL	REF<7:0>								00000 0000	0000 0000
590h	DAC1REFH	REF<15:8>								00000 0000	0000 0000
591h	DAC2CON0	EN	FM	OE1	OE2	PSS<1:0>		NSS<1:0>		0000 0000	0000 0000
592h	DAC2REFL	REF<7:0>								00000 0000	0000 0000
593h	DAC2REFH	REF<15:8>								00000 0000	0000 0000
594h	DAC3CON0	EN	—	OE1	OE2	PSS<1:0>		NSS<1:0>		0-00 0000	0-00 0000
595h	DAC3REF	—	—	—	REF<4:0>					---0 0000	---0 0000
596h	DAC4CON0	EN	—	OE1	OE2	PSS<1:0>		NSS<1:0>		0-00 0000	0-00 0000
597h	DAC4REF	—	—	—	REF<4:0>					---0 0000	0000 0000
598h	DAC5CON0	EN	FM	OE1	OE2	PSS<1:0>		NSS<1:0>		0000 0000	0000 0000
599h	DAC5REFL	REF<7:0>								00000 0000	0000 0000
59Ah	DAC5REFH	REF<15:8>								00000 0000	0000 0000
59Bh	DAC6CON0 ⁽³⁾	EN	FM	OE1	OE2	PSS<1:0>		NSS<1:0>		0000 0000	0000 0000
59Ch	DAC6REFL ⁽³⁾	REF<7:0>								00000 0000	0000 0000
59Dh	DAC6REFH ⁽³⁾	REF<15:8>								00000 0000	0000 0000
59Eh	DAC7CON0	EN	—	OE1	OE2	PSS<1:0>		NSS<1:0>		0-00 0000	0-00 0000
59Fh	DAC7REF	—	—	—	REF<4:0>					---0 0000	0000 0000

Legend: x = unknown, u = unchanged, q = value depends on condition, - = unimplemented, read as '0', r = reserved.
Shaded locations are unimplemented, read as '0'.

- Note** 1: Unimplemented, read as '1'.
2: Unimplemented on PIC16LF1777/8/9.
3: Unimplemented on PIC16(L)F1778.

TABLE 3-18: SPECIAL FUNCTION REGISTER SUMMARY (CONTINUED)

Addr	Name	Bit 7	Bit 6	Bit 5	Bit 4	Bit 3	Bit 2	Bit 1	Bit 0	Value on POR, BOR	Value on all other Resets	
Bank 12												
60Ch to 613h	—	Unimplemented								—	—	
60Ch	DAC8CON0 ⁽³⁾	EN	—	OE1	OE2	PSS<1:0>		NSS1	NSS0	0-00 0000	0-00 0000	
60Dh	DAC8REF ⁽³⁾	—	—	—	REF<4:0>					---0 0000	0000 0000	
60Eh	PRG4RTSS ⁽³⁾	—	—	—	—	RTSS<3:0>					---- 0000	---- 0000
60Fh	PRG4FTSS ⁽³⁾	—	—	—	—	FTSS<3:0>					---- 0000	---- 0000
610h	PRG4INS ⁽³⁾	—	—	—	—	INS<3:0>					---- 0000	---- 0000
611h	PRG4CON0 ⁽³⁾	EN	—	FEDG	REDG	MODE<1:0>		OS	GO	0-000 0000	0-00 0000	
612h	PRG4CON1 ⁽³⁾	—	—	—	—	—	RDY	FPOL	RPOL	---- -000	---- -000	
613h	PRG4CON2 ⁽³⁾	—	—	—	ISET<4:0>					---0 0000	---0 0000	
614h	PWM3DCL	DC<1:0>		—	—	—	—	—	—	xx-- ----	uu-- ----	
615h	PWM3DCH	DC<9:2>								xxxx xxxx	uuuu uuuu	
616h	PWM3CON	EN	—	OUT	POL	—	—	—	—	0-00 ----	0-00 ----	
617h	PWM4DCL	DC<1:0>		—	—	—	—	—	—	xx-- ----	uu-- ----	
618h	PWM4DCH	DC<9:2>								xxxx xxxx	uuuu uuuu	
619h	PWM4CON	EN	—	OUT	POL	—	—	—	—	0-00 ----	0-00 ----	
61Ah	PWM9DCL	DC<1:0>		—	—	—	—	—	—	xx-- ----	uu-- ----	
61Bh	PWM9DCH	DC<9:2>								xxxx xxxx	uuuu uuuu	
61Ch	PWM9CON	EN	—	OUT	POL	—	—	—	—	0-00 ----	0-00 ----	
61Dh	PWM10DCL ⁽³⁾	DC<1:0>		—	—	—	—	—	—	xx-- ----	uu-- ----	
61Eh	PWM10DCH ⁽³⁾	DC<9:2>								xxxx xxxx	uuuu uuuu	
61Fh	PWM10CON ⁽³⁾	EN	—	OUT	POL	—	—	—	—	0-00 ----	0-00 ----	

Legend: x = unknown, u = unchanged, c = value depends on condition, - = unimplemented, read as '0', r = reserved.
Shaded locations are unimplemented, read as '0'.

- Note** 1: Unimplemented, read as '1'.
2: Unimplemented on PIC16LF1777/8/9.
3: Unimplemented on PIC16(L)F1778.

TABLE 3-18: SPECIAL FUNCTION REGISTER SUMMARY (CONTINUED)

Addr	Name	Bit 7	Bit 6	Bit 5	Bit 4	Bit 3	Bit 2	Bit 1	Bit 0	Value on POR, BOR	Value on all other Resets
Bank 13											
68Ch	—	Unimplemented								—	—
68Dh	COG1PHR	—	—	COG Rising Edge Phase Delay Count Register						--00 0000	--00 0000
68Eh	COG1PHF	—	—	COG Falling Edge Phase Delay Count Register						--00 0000	--00 0000
68Fh	COG1BLKR	—	—	COG Rising Edge Blanking Count Register						--00 0000	--00 0000
690h	COG1BLKF	—	—	COG Falling Edge Blanking Count Register						--00 0000	--00 0000
691h	COG1DBR	—	—	COG Rising Edge Dead-band Count Register						--00 0000	--00 0000
692h	COG1DBF	—	—	COG Falling Edge Dead-band Count Register						--00 0000	--00 0000
693h	COG1CON0	EN	LD	—	CS<1:0>		MD<2:0>			00-0 0000	00-0 0000
694h	COG1CON1	RDBS	FDBS	—	—	POLD	POLC	POLB	POLA	00-- 0000	00-- 0000
695h	COG1RIS0	RIS7	RIS6	RIS5	RIS4	RIS3	RIS2	RIS1	RIS0	0000 0000	0000 0000
696h	COG1RIS1	RIS15	RIS14	RIS13	RIS12	RIS11	RIS10	RIS9	RIS8	0000 0000	0000 0000
697h	COG1RSIM0	RSIM7	RSIM6	RSIM5	RSIM4	RSIM3	RSIM2	RSIM1	RSIM0	0000 0000	0000 0000
698h	COG1RSIM1	RSIM15	RSIM14	RSIM13	RSIM12	RSIM11	RSIM10	RSIM9	RSIM8	0000 0000	0000 0000
699h	COG1FIS0	FIS7	FIS6	FIS5	FIS4	FIS3	FIS2	FIS1	FIS0	0000 0000	0000 0000
69Ah	COG1FIS1	FIS15	FIS14	FIS13	FIS12	FIS11	FIS10	FIS9	FIS8	0000 0000	0000 0000
69Bh	COG1FSIM0	FSIM7	FSIM6	FSIM5	FSIM4	FSIM3	FSIM2	FSIM1	FSIM0	0000 0000	0000 0000
69Ch	COG1FSIM1	FSIM15	FSIM14	FSIM13	FSIM12	FSIM11	FSIM10	FSIM9	FSIM8	0000 0000	0000 0000
69Dh	COG1ASD0	ASE	ARSEN	ASDBD<1:0>		ASDAC<1:0>		—	—	0001 01--	0001 01--
69Eh	COG1ASD1	AS7E	AS6E	AS5E	AS4E	AS3E	AS2E	AS1E	AS0E	0000 0000	0000 0000
69Fh	COG1STR	SDATD	SDATC	SDATB	SDATA	STRD	STRC	STRB	STRA	0000 0000	0000 0000

Legend: x = unknown, u = unchanged, c = value depends on condition, - = unimplemented, read as '0', r = reserved.
Shaded locations are unimplemented, read as '0'.

- Note**
- 1: Unimplemented, read as '1'.
 - 2: Unimplemented on PIC16LF1777/8/9.
 - 3: Unimplemented on PIC16(L)F1778.

TABLE 3-18: SPECIAL FUNCTION REGISTER SUMMARY (CONTINUED)

Addr	Name	Bit 7	Bit 6	Bit 5	Bit 4	Bit 3	Bit 2	Bit 1	Bit 0	Value on POR, BOR	Value on all other Resets
Bank 14											
70Ch	—	Unimplemented								—	—
70Dh	COG2PHR	—	—	COG Rising Edge Phase Delay Count Register						--00 0000	--00 0000
70Eh	COG2PHF	—	—	COG Falling Edge Phase Delay Count Register						--00 0000	--00 0000
70Fh	COG2BLKR	—	—	COG Rising Edge Blanking Count Register						--00 0000	--00 0000
710h	COG2BLKF	—	—	COG Falling Edge Blanking Count Register						--00 0000	--00 0000
711h	COG2DBR	—	—	COG Rising Edge Dead-band Count Register						--00 0000	--00 0000
712h	COG2DBF	—	—	COG Falling Edge Dead-band Count Register						--00 0000	--00 0000
713h	COG2CON0	EN	LD	—	CS<1:0>		MD<2:0>			00-0 0000	00-0 0000
714h	COG2CON1	RDBS	FDBS	—	—	POLD	POLC	POLB	POLA	00-- 0000	00-- 0000
715h	COG2RIS0	RIS7	RIS6	RIS5	RIS4	RIS3	RIS2	RIS1	RIS0	0000 0000	0000 0000
716h	COG2RIS1	RIS15	RIS14	RIS13	RIS12	RIS11	RIS10	RIS9	RIS8	0000 0000	0000 0000
717h	COG2RSIM0	RSIM7	RSIM6	RSIM5	RSIM4	RSIM3	RSIM2	RSIM1	RSIM0	0000 0000	0000 0000
718h	COG2RSIM1	RSIM15	RSIM14	RSIM13	RSIM12	RSIM11	RSIM10	RSIM9	RSIM8	0000 0000	0000 0000
719h	COG2FIS0	FIS7	FIS6	FIS5	FIS4	FIS3	FIS2	FIS1	FIS0	0000 0000	0000 0000
71Ah	COG2FIS1	FIS15	FIS14	FIS13	FIS12	FIS11	FIS10	FIS9	FIS8	0000 0000	0000 0000
71Bh	COG2FSIM0	FSIM7	FSIM6	FSIM5	FSIM4	FSIM3	FSIM2	FSIM1	FSIM0	0000 0000	0000 0000
71Ch	COG2FSIM1	FSIM15	FSIM14	FSIM13	FSIM12	FSIM11	FSIM10	FSIM9	FSIM8	0000 0000	0000 0000
71Dh	COG2ASD0	ASE	ARSEN	ASDBD<1:0>		ASDAC<1:0>		—	—	0001 01--	0001 01--
71Eh	COG2ASD1	AS7E	AS6E	AS5E	AS4E	AS3E	AS2E	AS1E	AS0E	0000 0000	0000 0000
71Fh	COG2STR	SDATD	SDATC	SDATB	SDATA	STRD	STRC	STRB	STRA	0000 0000	0000 0000

Legend: x = unknown, u = unchanged, q = value depends on condition, - = unimplemented, read as '0', r = reserved.
Shaded locations are unimplemented, read as '0'.

- Note** 1: Unimplemented, read as '1'.
2: Unimplemented on PIC16LF1777/8/9.
3: Unimplemented on PIC16(L)F1778.

TABLE 3-18: SPECIAL FUNCTION REGISTER SUMMARY (CONTINUED)

Addr	Name	Bit 7	Bit 6	Bit 5	Bit 4	Bit 3	Bit 2	Bit 1	Bit 0	Value on POR, BOR	Value on all other Resets			
Bank 15														
78Ch —	—	Unimplemented								—	—			
78Dh	—	Unimplemented								—	—			
78Eh	PRG1RTSS	—	—	—	—	RTSS<3:0>			—	0000	0000			
78Fh	PRG1FTSS	—	—	—	—	FTSS<3:0>			—	0000	0000			
790h	PRG1INS	—	—	—	—	INS<3:0>			—	0000	0000			
791h	PRG1CON0	EN	—	FEDG	REDG	MODE<1:0>		OS	GO	0-000	0000	0-00	0000	
792h	PRG1CON1	—	—	—	—	—	RDY	FPOL	RPOL	—	-000	—	-000	
793h	PRG1CON2	—	—	—	—	ISET<4:0>			—	-0	0000	—	-0	0000
794h	PRG2RTSS	—	—	—	—	RTSS<3:0>			—	0000	0000			
795h	PRG2FTSS	—	—	—	—	FTSS<3:0>			—	0000	0000			
796h	PRG2INS	—	—	—	—	INS<3:0>			—	0000	0000			
797h	PRG2CON0	EN	—	FEDG	REDG	MODE<1:0>		OS	GO	0-000	0000	0-00	0000	
798h	PRG2CON1	—	—	—	—	—	RDY	FPOL	RPOL	—	-000	—	-000	
799h	PRG2CON2	—	—	—	—	ISET<4:0>			—	-0	0000	—	-0	0000
79Ah	PRG3RTSS	—	—	—	—	RTSS<3:0>			—	0000	0000			
79Bh	PRG3FTSS	—	—	—	—	FTSS<3:0>			—	0000	0000			
79Ch	PRG3INS	—	—	—	—	INS<3:0>			—	0000	0000			
79Dh	PRG3CON0	EN	—	FEDG	REDG	MODE<1:0>		OS	GO	0-000	0000	0-00	0000	
79Eh	PRG3CON1	—	—	—	—	—	RDY	FPOL	RPOL	—	-000	—	-000	
79Fh	PRG3CON2	—	—	—	—	ISET<4:0>			—	-0	0000	—	-0	0000

Legend: x = unknown, u = unchanged, c = value depends on condition, - = unimplemented, read as '0', r = reserved.
Shaded locations are unimplemented, read as '0'.

- Note** 1: Unimplemented, read as '1'.
2: Unimplemented on PIC16LF1777/8/9.
3: Unimplemented on PIC16(L)F1778.

TABLE 3-18: SPECIAL FUNCTION REGISTER SUMMARY (CONTINUED)

Addr	Name	Bit 7	Bit 6	Bit 5	Bit 4	Bit 3	Bit 2	Bit 1	Bit 0	Value on POR, BOR	Value on all other Resets	
Bank 16												
80Ch	—	Unimplemented								—	—	
80Dh	COG3PHR	—	—	COG Rising Edge Phase Delay Count Register							--00 0000	--00 0000
80Eh	COG3PHF	—	—	COG Falling Edge Phase Delay Count Register							--00 0000	--00 0000
80Fh	COG3BLKR	—	—	COG Rising Edge Blanking Count Register							--00 0000	--00 0000
810h	COG3BLKF	—	—	COG Falling Edge Blanking Count Register							--00 0000	--00 0000
811h	COG3DBR	—	—	COG Rising Edge Dead-band Count Register							--00 0000	--00 0000
812h	COG3DBF	—	—	COG Falling Edge Dead-band Count Register							--00 0000	--00 0000
813h	COG3CON0	EN	LD	—	CS<1:0>		MD<2:0>			00-0 0000	00-0 0000	
814h	COG3CON1	RDBS	FDBS	—	—	POLD	POLC	POLB	POLA	00-- 0000	00-- 0000	
815h	COG3RIS0	RIS7	RIS6	RIS5	RIS4	RIS3	RIS2	RIS1	RIS0	0000 0000	0000 0000	
816h	COG3RIS1	RIS15	RIS14	RIS13	RIS12	RIS11	RIS10	RIS9	RIS8	0000 0000	0000 0000	
817h	COG3RSIM0	RSIM7	RSIM6	RSIM5	RSIM4	RSIM3	RSIM2	RSIM1	RSIM0	0000 0000	0000 0000	
818h	COG3RSIM1	RSIM15	RSIM14	RSIM13	RSIM12	RSIM11	RSIM10	RSIM9	RSIM8	0000 0000	0000 0000	
819h	COG3FIS0	FIS7	FIS6	FIS5	FIS4	FIS3	FIS2	FIS1	FIS0	0000 0000	0000 0000	
81Ah	COG3FIS1	FIS15	FIS14	FIS13	FIS12	FIS11	FIS10	FIS9	FIS8	0000 0000	0000 0000	
81Bh	COG3FSIM0	FSIM7	FSIM6	FSIM5	FSIM4	FSIM3	FSIM2	FSIM1	FSIM0	0000 0000	0000 0000	
81Ch	COG3FSIM1	FSIM15	FSIM14	FSIM13	FSIM12	FSIM11	FSIM10	FSIM9	FSIM8	0000 0000	0000 0000	
81Dh	COG3ASD0	ASE	ARSEN	ASDBD<1:0>		ASDAC<1:0>		—	—	0001 01--	0001 01--	
81Eh	COG3ASD1	AS7E	AS6E	AS5E	AS4E	AS3E	AS2E	AS1E	AS0E	0000 0000	0000 0000	
81Fh	COG3STR	SDATD	SDATC	SDATB	SDATA	STRD	STRC	STRB	STRA	0000 0000	0000 0000	

Legend: x = unknown, u = unchanged, c = value depends on condition, - = unimplemented, read as '0', r = reserved.
Shaded locations are unimplemented, read as '0'.

- Note**
- 1: Unimplemented, read as '1'.
 - 2: Unimplemented on PIC16LF1777/8/9.
 - 3: Unimplemented on PIC16(L)F1778.

TABLE 3-18: SPECIAL FUNCTION REGISTER SUMMARY (CONTINUED)

Addr	Name	Bit 7	Bit 6	Bit 5	Bit 4	Bit 3	Bit 2	Bit 1	Bit 0	Value on POR, BOR	Value on all other Resets		
Bank 17													
88Ch	—	Unimplemented								—	—		
88Dh	COG4PHR ⁽³⁾	—	—	COG Rising Edge Phase Delay Count Register								--00 0000	--00 0000
88Eh	COG4PHF ⁽³⁾	—	—	COG Falling Edge Phase Delay Count Register								--00 0000	--00 0000
88Fh	COG4BLKR ⁽³⁾	—	—	COG Rising Edge Blanking Count Register								--00 0000	--00 0000
890h	COG4BLKF ⁽³⁾	—	—	COG Falling Edge Blanking Count Register								--00 0000	--00 0000
891h	COG4DBR ⁽³⁾	—	—	COG Rising Edge Dead-band Count Register								--00 0000	--00 0000
892h	COG4DBF ⁽³⁾	—	—	COG Falling Edge Dead-band Count Register								--00 0000	--00 0000
893h	COG4CON0 ⁽³⁾	EN	LD	—	CS<1:0>			MD<2:0>			00-0 0000	00-0 0000	
894h	COG4CON1 ⁽³⁾	RDBS	FDBS	—	—	POLD	POLC	POLB	POLA	00-- 0000	00-- 0000		
895h	COG4RIS0 ⁽³⁾	RIS7	RIS6	RIS5	RIS4	RIS3	RIS2	RIS1	RIS0	0000 0000	0000 0000		
896h	COG4RIS1 ⁽³⁾	RIS15	RIS14	RIS13	RIS12	RIS11	RIS10	RIS9	RIS8	0000 0000	0000 0000		
897h	COG4RSIM0 ⁽³⁾	RSIM7	RSIM6	RSIM5	RSIM4	RSIM3	RSIM2	RSIM1	RSIM0	0000 0000	0000 0000		
898h	COG4RSIM1 ⁽³⁾	RSIM15	RSIM14	RSIM13	RSIM12	RSIM11	RSIM10	RSIM9	RSIM8	0000 0000	0000 0000		
899h	COG4FIS0 ⁽³⁾	FIS7	FIS6	FIS5	FIS4	FIS3	FIS2	FIS1	FIS0	0000 0000	0000 0000		
89Ah	COG4FIS1 ⁽³⁾	FIS15	FIS14	FIS13	FIS12	FIS11	FIS10	FIS9	FIS8	0000 0000	0000 0000		
89Bh	COG4FSIM0 ⁽³⁾	FSIM7	FSIM6	FSIM5	FSIM4	FSIM3	FSIM2	FSIM1	FSIM0	0000 0000	0000 0000		
89Ch	COG4FSIM1 ⁽³⁾	FSIM15	FSIM14	FSIM13	FSIM12	FSIM11	FSIM10	FSIM9	FSIM8	0000 0000	0000 0000		
89Dh	COG4ASD0 ⁽³⁾	ASE	ARSEN	ASDBD<1:0>			ASDAC<1:0>		—	—	0001 01--	0001 01--	
89Eh	COG4ASD1 ⁽³⁾	AS7E	AS6E	AS5E	AS4E	AS3E	AS2E	AS1E	AS0E	0000 0000	0000 0000		
89Fh	COG4STR ⁽³⁾	SDATD	SDATC	SDATB	SDATA	STRD	STRC	STRB	STRA	0000 0000	0000 0000		

Legend: x = unknown, u = unchanged, c = value depends on condition, - = unimplemented, read as '0', r = reserved.
Shaded locations are unimplemented, read as '0'.

- Note** 1: Unimplemented, read as '1'.
2: Unimplemented on PIC16LF1777/8/9.
3: Unimplemented on PIC16(L)F1778.

TABLE 3-18: SPECIAL FUNCTION REGISTER SUMMARY (CONTINUED)

Addr	Name	Bit 7	Bit 6	Bit 5	Bit 4	Bit 3	Bit 2	Bit 1	Bit 0	Value on POR, BOR	Value on all other Resets
Bank 18											
90Ch	CM4CON0	ON	OUT	—	POL	ZLF	Reserved	HYS	SYNC	00-0 0100	00-0 0100
90Dh	CM4CON1	—	—	—	—	—	—	INTP	INTN	---- --00	---- --00
90Eh	CM4NSEL	—	—	—	—	NCH<3:0>				---- 0000	---- 0000
90Fh	CM4PSEL	—	—	—	—	PCH<3:0>				---- 0000	---- 0000
910h	CM5CON0	ON	OUT	—	POL	ZLF	Reserved	HYS	SYNC	00-0 0100	00-0 0100
911h	CM5CON1	—	—	—	—	—	—	INTP	INTN	---- --00	---- --00
912h	CM5NSEL	—	—	—	—	NCH<3:0>				---- 0000	---- 0000
913h	CM5PSEL	—	—	—	—	PCH<3:0>				---- 0000	---- 0000
914h	CM6CON0	ON	OUT	—	POL	ZLF	Reserved	HYS	SYNC	00-0 0100	00-0 0100
915h	CM6CON1	—	—	—	—	—	—	INTP	INTN	---- --00	---- --00
916h	CM6NSEL	—	—	—	—	NCH<3:0>				---- 0000	---- 0000
917h	CM6PSEL	—	—	—	—	PCH<3:0>				---- 0000	---- 0000
918h	CM7CON0 ⁽³⁾	ON	OUT	—	POL	ZLF	Reserved	HYS	SYNC	00-0 0100	00-0 0100
919h	CM7CON1 ⁽³⁾	—	—	—	—	—	—	INTP	INTN	---- --00	---- --00
91Ah	CM7NSEL ⁽³⁾	—	—	—	—	NCH<3:0>				---- 0000	---- 0000
91Bh	CM7PSEL ⁽³⁾	—	—	—	—	PCH<3:0>				---- 0000	---- 0000
91Ch	CM8CON0 ⁽³⁾	ON	OUT	—	POL	ZLF	Reserved	HYS	SYNC	00-0 0100	00-0 0100
91Dh	CM8CON1 ⁽³⁾	—	—	—	—	—	—	INTP	INTN	---- --00	---- --00
91Eh	CM8NSEL ⁽³⁾	—	—	—	—	NCH<3:0>				---- 0000	---- 0000
91Fh	CM8PSEL ⁽³⁾	—	—	—	—	PCH<3:0>				---- 0000	---- 0000
Bank 19-25											
x0Ch/ x8Ch — x1Fh/ x9Fh	—	Unimplemented								—	—

Legend: x = unknown, u = unchanged, c = value depends on condition, - = unimplemented, read as '0', r = reserved.
Shaded locations are unimplemented, read as '0'.

- Note** 1: Unimplemented, read as '1'.
2: Unimplemented on PIC16LF1777/8/9.
3: Unimplemented on PIC16(L)F1778.

TABLE 3-18: SPECIAL FUNCTION REGISTER SUMMARY (CONTINUED)

Addr	Name	Bit 7	Bit 6	Bit 5	Bit 4	Bit 3	Bit 2	Bit 1	Bit 0	Value on POR, BOR	Value on all other Resets
Bank 26											
D0Ch — D1Ah		Unimplemented								—	—
D1Bh	MD4CON0 ⁽³⁾	EN	—	OUT	OPOL	—	—	—	BIT	0-00 ---0	0-00 ---0
D1Ch	MD4CON1 ⁽³⁾	—	—	CHPOL	CHSYNC	—	—	CLPOL	CLSYNC	--00 --00	--00 --00
D1Dh	MD4SRC ⁽³⁾	—	—	—	MS<4:0>					---0 0000	---0 0000
D1Eh	MD4CARL ⁽³⁾	—	—	—	CL<4:0>					---0 0000	---0 0000
D1Fh	MD4CARH ⁽³⁾	—	—	—	CH<4:0>					---0 0000	---0 0000

Legend: x = unknown, u = unchanged, c = value depends on condition, - = unimplemented, read as '0', r = reserved.
Shaded locations are unimplemented, read as '0'.

- Note** 1: Unimplemented, read as '1'.
2: Unimplemented on PIC16LF1777/8/9.
3: Unimplemented on PIC16(L)F1778.

TABLE 3-18: SPECIAL FUNCTION REGISTER SUMMARY (CONTINUED)

Addr	Name	Bit 7	Bit 6	Bit 5	Bit 4	Bit 3	Bit 2	Bit 1	Bit 0	Value on POR, BOR	Value on all other Resets	
Bank 27												
D8Ch	—	Unimplemented									—	—
D8Dh	—	Unimplemented									—	—
D8Eh	PWMEN	—	—	—	—	MPWM12EN ⁽³⁾	MPWM11EN	MPWM6EN	MPWM5EN	---- 0000	---- 0000	
D8Fh	PWMLD	—	—	—	—	MPWM12LD ⁽³⁾	MPWM11LD	MPWM6LD	MPWM5LD	---- 0000	---- 0000	
D90h	PWMOUT	—	—	—	—	MPWM12OUT ⁽³⁾	MPWM11OUT	MPWM6OUT	MPWM5OUT	---- 0000	---- 0000	
D91h	PWM5PHL	PH<7:0>									xxxx xxxx	uuuu uuuu
D92h	PWM5PHH	PH<15:8>									xxxx xxxx	uuuu uuuu
D93h	PWM5DCL	DC<7:0>									xxxx xxxx	uuuu uuuu
D94h	PWM5DCH	DC<15:8>									xxxx xxxx	uuuu uuuu
D95h	PWM5PRL	PR<7:0>									xxxx xxxx	uuuu uuuu
D96h	PWM5PRH	PR<15:8>									xxxx xxxx	uuuu uuuu
D97h	PWM5OFL	OF<7:0>									xxxx xxxx	uuuu uuuu
D98h	PWM5OFH	OF<15:8>									xxxx xxxx	uuuu uuuu
D99h	PWM5TMRL	TMR<7:0>									0000 0000	0000 0000
D9Ah	PWM5TMRH	TMR<15:8>									0000 0000	0000 0000
D9Bh	PWM5CON	EN	—	OUT	POL	MODE<1:0>		—	—	0-00 00--	0-00 00--	
D9Ch	PWM5INTE	—	—	—	—	OFIE	PHIE	DCIE	PRIE	---- 0000	---- 0000	
D9Dh	PWM5INTF	—	—	—	—	OFIF	PHIF	DCIF	PRIF	---- 0000	---- 0000	
D9Eh	PWM5CLKCON	—	PS<2:0>			—	—	CS<1:0>		-000 --00	-000 --00	
D9Fh	PWM5LDCON	LDA	LDT	—	—	—	—	LDS<1:0>		00-- --00	00-- --00	
DA0h	PWM5OFCON	—	OFM<1:0>		OFO	—	—	OFS<1:0>		-000 --00	-000 --00	
DA1h	PWM6PHL	PH<7:0>									xxxx xxxx	uuuu uuuu
DA2h	PWM6PHH	PH<15:8>									xxxx xxxx	uuuu uuuu
DA3h	PWM6DCL	DC<7:0>									xxxx xxxx	uuuu uuuu
DA4h	PWM6DCH	DC<15:8>									xxxx xxxx	uuuu uuuu
DA5h	PWM6PRL	PR<7:0>									xxxx xxxx	uuuu uuuu
DA6h	PWM6PRH	PR<15:8>									xxxx xxxx	uuuu uuuu
DA7h	PWM6OFL	OF<7:0>									xxxx xxxx	uuuu uuuu
DA8h	PWM6OFH	OF<15:8>									xxxx xxxx	uuuu uuuu
DA9h	PWM6TMRL	TMR<7:0>									0000 0000	0000 0000
DAAh	PWM6TMRH	TMR<15:8>									0000 0000	0000 0000

Legend: x = unknown, u = unchanged, q = value depends on condition, - = unimplemented, read as '0', r = reserved.
 Shaded locations are unimplemented, read as '0'.

- Note** 1: Unimplemented, read as '1'.
 2: Unimplemented on PIC16LF1777/8/9.
 3: Unimplemented on PIC16(L)F1778.

TABLE 3-18: SPECIAL FUNCTION REGISTER SUMMARY (CONTINUED)

Addr	Name	Bit 7	Bit 6	Bit 5	Bit 4	Bit 3	Bit 2	Bit 1	Bit 0	Value on POR, BOR	Value on all other Resets
Bank 27 (Continued)											
DABh	PWM6CON	EN	—	OUT	POL	MODE<1:0>		—	—	0-00 00--	0-00 00--
DACh	PWM6INTE	—	—	—	—	OFIE	PHIE	DCIE	PRIE	---- 0000	---- 0000
DADh	PWM6INTF	—	—	—	—	OFIF	PHIF	DCIF	PRIF	---- 0000	---- 0000
DAEh	PWM6CLKCON	—	PS<2:0>			—	—	CS<1:0>		-000 --00	-000 --00
DAFh	PWM6LDCON	LDA	LDT	—	—	—	—	LDS<1:0>		00-- --00	00-- --00
DB0h	PWM6OFCON	—	OFM<1:0>		OFO	—	—	OFS<1:0>		-000 --00	-000 --00
DB1h	PWM11PHL	PH<7:0>								xxxx xxxx	uuuu uuuu
DB2h	PWM11PHH	PH<15:8>								xxxx xxxx	uuuu uuuu
DB3h	PWM11DCL	DC<7:0>								xxxx xxxx	uuuu uuuu
DB4h	PWM11DCH	DC<15:8>								xxxx xxxx	uuuu uuuu
DB5h	PWM11PRL	PR<7:0>								xxxx xxxx	uuuu uuuu
DB6h	PWM11PRH	PR<15:8>								xxxx xxxx	uuuu uuuu
DB7h	PWM11OFL	OF<7:0>								xxxx xxxx	uuuu uuuu
DB8h	PWM11OFH	OF<15:8>								xxxx xxxx	uuuu uuuu
DB9h	PWM11TMRL	TMR<7:0>								0000 0000	0000 0000
DBAh	PWM11TMRH	TMR<15:8>								0000 0000	0000 0000
DBBh	PWM11CON	EN	—	OUT	POL	MODE<1:0>		—	—	0-00 00--	0-00 00--
DBCh	PWM11INTE	—	—	—	—	OFIE	PHIE	DCIE	PRIE	---- 0000	---- 0000
DBDh	PWM11INTF	—	—	—	—	OFIF	PHIF	DCIF	PRIF	---- 0000	---- 0000
DBEh	PWM11CLKCON	—	PS<2:0>			—	—	CS<1:0>		-000 --00	-000 --00
DBFh	PWM11LDCON	LDA	LDT	—	—	—	—	LDS<1:0>		00-- --00	00-- --00
DC0h	PWM11OFCON	—	OFM<1:0>		OFO	—	—	OFS<1:0>		-000 --00	-000 --00

Legend: x = unknown, u = unchanged, q = value depends on condition, - = unimplemented, read as '0', r = reserved.
Shaded locations are unimplemented, read as '0'.

- Note** 1: Unimplemented, read as '1'.
2: Unimplemented on PIC16LF1777/8/9.
3: Unimplemented on PIC16(L)F1778.

TABLE 3-18: SPECIAL FUNCTION REGISTER SUMMARY (CONTINUED)

Addr	Name	Bit 7	Bit 6	Bit 5	Bit 4	Bit 3	Bit 2	Bit 1	Bit 0	Value on POR, BOR	Value on all other Resets	
Bank 27 (Continued)												
DC1h	PWM12PHL ⁽³⁾					PH<7:0>				xxxx xxxx	uuuu uuuu	
DC2h	PWM12PHH ⁽³⁾					PH<15:8>				xxxx xxxx	uuuu uuuu	
DC3h	PWM12DCL ⁽³⁾					DC<7:0>				xxxx xxxx	uuuu uuuu	
DC4h	PWM12DCH ⁽³⁾					DC<15:8>				xxxx xxxx	uuuu uuuu	
DC5h	PWM12PRL ⁽³⁾					PR<7:0>				xxxx xxxx	uuuu uuuu	
DC6h	PWM12PRH ⁽³⁾					PR<15:8>				xxxx xxxx	uuuu uuuu	
DC7h	PWM12OFL ⁽³⁾					OF<7:0>				xxxx xxxx	uuuu uuuu	
DC8h	PWM12OFH ⁽³⁾					OF<15:8>				xxxx xxxx	uuuu uuuu	
DC9h	PWM12TMRL ⁽³⁾					TMR<7:0>				0000 0000	0000 0000	
DCAh	PWM12TMRH ⁽³⁾					TMR<15:8>				0000 0000	0000 0000	
DCBh	PWM12CON ⁽³⁾	EN	—	OUT	POL	MODE<1:0>		—	—	0-00 00--	0-00 00--	
DCCh	PWM12INTE ⁽³⁾	—	—	—	—	OFIE	PHIE	DCIE	PRIE	---- 0000	---- 0000	
DCDh	PWM12INTF ⁽³⁾	—	—	—	—	OFIF	PHIF	DCIF	PRIF	---- 0000	---- 0000	
DCEh	PWM12CLKCON ⁽³⁾	—	PS<2:0>			—	—	CS<1:0>		-000 --00	-000 --00	
DCFh	PWM12LDCON ⁽³⁾	LDA	LDT	—	—	—	—	LDS<1:0>		00-- --00	00-- --00	
DD0h	PWM12OFCON ⁽³⁾	—	OFM<1:0>		OFO	—	—	OFS<1:0>		-000 --00	-000 --00	
DD1h to DEFh	—	Unimplemented									—	—

Legend: x = unknown, u = unchanged, c = value depends on condition, - = unimplemented, read as '0', r = reserved.
 Shaded locations are unimplemented, read as '0'.

- Note** 1: Unimplemented, read as '1'.
 2: Unimplemented on PIC16LF1777/8/9.
 3: Unimplemented on PIC16(L)F1778.

TABLE 3-18: SPECIAL FUNCTION REGISTER SUMMARY (CONTINUED)

Addr	Name	Bit 7	Bit 6	Bit 5	Bit 4	Bit 3	Bit 2	Bit 1	Bit 0	Value on POR, BOR	Value on all other Resets
Bank 28											
E0Ch — E0Bh	—	Unimplemented								—	—
E0Ch	PPSLOCK	—	—	—	—	—	—	—	PPSLOCKED	---- --0	---- --0
E0Dh	INTPPS	—	—	INTPPS<5:0>						--00 1000	--uu uuuu
E0Eh	T0CKIPPS	—	—	T0CKIPPS<5:0>						--00 0100	--uu uuuu
E0Fh	T1CKIPPS	—	—	T1CKIPPS<5:0>						--01 0000	--uu uuuu
E10h	T1GPSS	—	—	T1GPSS<5:0>						--00 1101	--uu uuuu
E11h	T3CKIPPS	—	—	T3CKIPPS<5:0>						--01 0000	--uu uuuu
E12h	T3GPSS	—	—	T3GPSS<5:0>						--01 0000	--uu uuuu
E13h	T5CKIPPS	—	—	T5CKIPPS<5:0>						--01 0000	--uu uuuu
E14h	T5GPSS	—	—	T5GPSS<5:0>						--00 1100	--uu uuuu
E15h	T2INPPS	—	—	T2INPPS<5:0>						--01 0011	--uu uuuu
E16h	T4INPPS	—	—	T4INPPS<5:0>						--01 0101	--uu uuuu
E17h	T6INPPS	—	—	T6INPPS<5:0>						--01 0100	--uu uuuu
E18h	T8INPPS	—	—	T8INPPS<5:0>						--01 0010	--uu uuuu
E19h	CCP1PPS	—	—	CCP1PPS<5:0>						--01 0010	--uu uuuu
E1Ah	CCP2PPS	—	—	CCP2PPS<5:0>						--01 0001	--uu uuuu
E1Bh	CCP7PPS	—	—	CCP7PPS<5:0>						--00 1101	--uu uuuu
E1Ch	CCP8PPS ⁽³⁾	—	—	CCP8PPS<5:0>						--00 1101	--uu uuuu
E1Dh	COG1NPPS	—	—	COG1PPS<5:0>						--00 1000	--uu uuuu
E1Eh	COG2INPPS	—	—	COG2PPS<5:0>						--00 1001	--uu uuuu
E1Fh	COG3INPPS	—	—	COG3PPS<5:0>						--00 1010	--uu uuuu
E20h	COG4INPPS ⁽³⁾	—	—	COG4PPS<5:0>						--00 1010	--uu uuuu
E21h	MD1CLPPS	—	—	MD1CLPPS<5:0>						--00 0100	--uu uuuu
E22h	MD1CHPPS	—	—	MD1CHPPS<5:0>						--00 0011	--uu uuuu
E23h	MD1MODPPS	—	—	MD1MODPPS<5:0>						--00 0101	--uu uuuu
E24h	MD2CLPPS	—	—	MD2CLPPS<5:0>						--00 0100	--uu uuuu
E25h	MD2CHPPS	—	—	MD2CHPPS<5:0>						--00 0011	--uu uuuu
E26h	MD2MODPPS	—	—	MD2MODPPS<5:0>						--00 0101	--uu uuuu

Legend: x = unknown, u = unchanged, c = value depends on condition, - = unimplemented, read as '0', r = reserved.
Shaded locations are unimplemented, read as '0'.

- Note** 1: Unimplemented, read as '1'.
2: Unimplemented on PIC16LF1777/8/9.
3: Unimplemented on PIC16(L)F1778.

TABLE 3-18: SPECIAL FUNCTION REGISTER SUMMARY (CONTINUED)

Addr	Name	Bit 7	Bit 6	Bit 5	Bit 4	Bit 3	Bit 2	Bit 1	Bit 0	Value on POR, BOR	Value on all other Resets	
Bank 28 (Continued)												
E27h	MD3CLPPS	—	—							MD3CLPPS<5:0>	--00 1100	--uu uuuu
E28h	MD3CHPPS	—	—							MD3CHPPS<5:0>	--00 1011	--uu uuuu
E29h	MD3MODPPS	—	—							MD3MODPPS<5:0>	--00 0101	--uu uuuu
E2Ah	MD4CLPPS ⁽³⁾	—	—							MD4CLPPS<5:0>	--00 1100	--uu uuuu
E2Bh	MD4CHPPS ⁽³⁾	—	—							MD4CHPPS<5:0>	--00 1011	--uu uuuu
E2Ch	MD4MODPPS ⁽³⁾	—	—							MD4MODPPS<5:0>	--00 0101	--uu uuuu
E2Dh	PRG1RPPS	—	—							PRG1RPPS<5:0>	--00 0100	--uu uuuu
E2Eh	PRG1FPPS	—	—							PRG1FPPS<5:0>	--00 0101	--uu uuuu
E2Fh	PRG2RPPS	—	—							PRG2RPPS<5:0>	--01 0001	--uu uuuu
E30h	PRG2FPPS	—	—							PRG2FPPS<5:0>	--01 0010	--uu uuuu
E31h	PRG3RPPS	—	—							PRG3RPPS<5:0>	--01 0100	--uu uuuu
E32h	PRG3FPPS	—	—							PRG3FPPS<5:0>	--01 0101	--uu uuuu
E33h	PRG4RPPS ⁽³⁾	—	—							PRG4RPPS<5:0>	--01 0100	--uu uuuu
E34h	PRG4FPPS ⁽³⁾	—	—							PRG4FPPS<5:0>	--01 0101	--uu uuuu
E35h	CLC1IN0PPS	—	—							CLCIN0PPS<5:0>	--00 0000	--uu uuuu
E36h	CLC1IN1PPS	—	—							CLCIN1PPS<5:0>	--00 0001	--uu uuuu
E37h	CLC1IN2PPS	—	—							CLCIN2PPS<5:0>	--00 1110	--uu uuuu
E38h	CLC1IN3PPS	—	—							CLCIN3PPS<5:0>	--00 1111	--uu uuuu
E39h	ADCACTPPS	—	—							ADCACTPPS<5:0>	--00 1100	--uu uuuu
E3Ah	SSPCLKPPS	—	—							SSPCLKPPS<5:0>	--01 0011	--uu uuuu
E3Bh	SSPDATPPS	—	—							SSPDATPPS<5:0>	--01 0100	--uu uuuu
E3Ch	SSPSSPPS	—	—							SSPSSPPS<5:0>	--00 0101	--uu uuuu
E3Dh	RXPPS	—	—							RXPPS<5:0>	--01 0111	--uu uuuu
E3Eh	CKPPS	—	—							CKPPS<5:0>	--01 0110	--uu uuuu
E3Fh — E6Fh		Unimplemented								—	—	

Legend: x = unknown, u = unchanged, c = value depends on condition, - = unimplemented, read as '0', r = reserved.
Shaded locations are unimplemented, read as '0'.

- Note** 1: Unimplemented, read as '1'.
2: Unimplemented on PIC16LF1777/8/9.
3: Unimplemented on PIC16(L)F1778.

TABLE 3-18: SPECIAL FUNCTION REGISTER SUMMARY (CONTINUED)

Addr	Name	Bit 7	Bit 6	Bit 5	Bit 4	Bit 3	Bit 2	Bit 1	Bit 0	Value on POR, BOR	Value on all other Resets
Bank 29											
E8Ch — E8Fh		Unimplemented								—	—
E90h	RA0PPS	—	—							—00 0000	--uu uuuu
E91h	RA1PPS	—	—							—00 0000	--uu uuuu
E92h	RA2PPS	—	—							—00 0000	--uu uuuu
E93h	RA3PPS	—	—							—00 0000	--uu uuuu
E94h	RA4PPS	—	—							—00 0000	--uu uuuu
E95h	RA5PPS	—	—							—00 0000	--uu uuuu
E96h	RA6PPS	—	—							—00 0000	--uu uuuu
E97h	RA7PPS	—	—							—00 0000	--uu uuuu
E98h	RB0PPS	—	—							—00 0000	--uu uuuu
E99h	RB1PPS	—	—							—00 0000	--uu uuuu
E9Ah	RB2PPS	—	—							—00 0000	--uu uuuu
E9Bh	RB3PPS	—	—							—00 0000	--uu uuuu
E9Ch	RB4PPS	—	—							—00 0000	--uu uuuu
E9Dh	RB5PPS	—	—							—00 0000	--uu uuuu
E9Eh	RB6PPS	—	—							—00 0000	--uu uuuu
E9Fh	RB7PPS	—	—							—00 0000	--uu uuuu
EA0h	RC0PPS	—	—							—00 0000	--uu uuuu
EA1h	RC1PPS	—	—							—00 0000	--uu uuuu
EA2h	RC2PPS	—	—							—00 0000	--uu uuuu
EA3h	RC3PPS	—	—							—00 0000	--uu uuuu
EA4h	RC4PPS	—	—							—00 0000	--uu uuuu
EA5h	RC5PPS	—	—							—00 0000	--uu uuuu
EA6h	RC6PPS	—	—							—00 0000	--uu uuuu
EA7h	RC7PPS	—	—							—00 0000	--uu uuuu

Legend: x = unknown, u = unchanged, □ = value depends on condition, - = unimplemented, read as '0', r = reserved.
Shaded locations are unimplemented, read as '0'.

- Note** 1: Unimplemented, read as '1'.
2: Unimplemented on PIC16LF1777/8/9.
3: Unimplemented on PIC16(L)F1778.

TABLE 3-18: SPECIAL FUNCTION REGISTER SUMMARY (CONTINUED)

Addr	Name	Bit 7	Bit 6	Bit 5	Bit 4	Bit 3	Bit 2	Bit 1	Bit 0	Value on POR, BOR	Value on all other Resets	
Bank 29 (Cont.)												
EA8h	RD0PPS ⁽³⁾	—	—							RD0PPS<5:0>	--00 0000	--uu uuuu
EA9h	RD1PPS ⁽³⁾	—	—							RD1PPS<5:0>	--00 0000	--uu uuuu
EAAh	RD2PPS ⁽³⁾	—	—							RD2PPS<5:0>	--00 0000	--uu uuuu
EABh	RD3PPS ⁽³⁾	—	—							RD3PPS<5:0>	--00 0000	--uu uuuu
EACh	RD4PPS ⁽³⁾	—	—							RD4PPS<5:0>	--00 0000	--uu uuuu
EADh	RD5PPS ⁽³⁾	—	—							RD5PPS<5:0>	--00 0000	--uu uuuu
EAEh	RD6PPS ⁽³⁾	—	—							RD6PPS<5:0>	--00 0000	--uu uuuu
EAFh	RD7PPS ⁽³⁾	—	—							RD7PPS<5:0>	--00 0000	--uu uuuu
EB0h	RE0PPS ⁽³⁾	—	—							RE0PPS<5:0>	--00 0000	--uu uuuu
EB1h	RE1PPS ⁽³⁾	—	—							RE1PPS<5:0>	--00 0000	--uu uuuu
EB2h	RE2PPS ⁽³⁾	—	—							RE2PPS<5:0>	--00 0000	--uu uuuu
EB3h to EEFh	—	Unimplemented								—	—	

Legend: x = unknown, u = unchanged, q = value depends on condition, - = unimplemented, read as '0', r = reserved.
Shaded locations are unimplemented, read as '0'.

- Note**
- 1: Unimplemented, read as '1'.
 - 2: Unimplemented on PIC16LF1777/8/9.
 - 3: Unimplemented on PIC16(L)F1778.

TABLE 3-18: SPECIAL FUNCTION REGISTER SUMMARY (CONTINUED)

Addr	Name	Bit 7	Bit 6	Bit 5	Bit 4	Bit 3	Bit 2	Bit 1	Bit 0	Value on POR, BOR	Value on all other Resets
Bank 30											
F0Ch — F0Eh		Unimplemented								—	—
F0Fh	CLCDATA	—	—	—	—	MLC4OUT	MLC3OUT	MLC2OUT	MLC1OUT	---- x000	---- u000
F10h	CLC1CON	EN	—	OUT	INTP	INTN	MODE<2:0>			0-00 0000	0-00 0000
F11h	CLC1POL	POL	—	—	—	G4POL	G3POL	G2POL	G1POL	0--- xxxx	0--- uuuu
F12h	CLC1SEL0	—	—	D1S<5:0>						--xx xxxx	--uu uuuu
F13h	CLC1SEL1	—	—	D2S<5:0>						--xx xxxx	--uu uuuu
F14h	CLC1SEL2	—	—	D3S<5:0>						--xx xxxx	--uu uuuu
F15h	CLC1SEL3	—	—	D4S<5:0>						--xx xxxx	--uu uuuu
F16h	CLC1GLS0	G1D4T	G1D4N	G1D3T	G1D3N	G1D2T	G1D2N	G1D1T	G1D1N	xxxx xxxx	uuuu uuuu
F17h	CLC1GLS1	G2D4T	G2D4N	G2D3T	G2D3N	G2D2T	G2D2N	G2D1T	G2D1N	xxxx xxxx	uuuu uuuu
F18h	CLC1GLS2	G3D4T	G3D4N	G3D3T	G3D3N	G3D2T	G3D2N	G3D1T	G3D1N	xxxx xxxx	uuuu uuuu
F19h	CLC1GLS3	G4D4T	G4D4N	G4D3T	G4D3N	G4D2T	G4D2N	G4D1T	G4D1N	xxxx xxxx	uuuu uuuu
F1Ah	CLC2CON	EN	—	OUT	INTP	INTN	MODE<2:0>			0-00 0000	0-00 0000
F1Bh	CLC2POL	POL	—	—	—	G4POL	G3POL	G2POL	G1POL	0--- xxxx	0--- uuuu
F1Ch	CLC2SEL0	—	—	D1S<5:0>						--xx xxxx	--uu uuuu
F1Dh	CLC2SEL1	—	—	D2S<5:0>						--xx xxxx	--uu uuuu
F1Eh	CLC2SEL2	—	—	D3S<5:0>						--xx xxxx	--uu uuuu
F1Fh	CLC2SEL3	—	—	D4S<5:0>						--xx xxxx	--uu uuuu
F20h	CLC2GLS0	G1D4T	G1D4N	G1D3T	G1D3N	G1D2T	G1D2N	G1D1T	G1D1N	xxxx xxxx	uuuu uuuu
F21h	CLC2GLS1	G2D4T	G2D4N	G2D3T	G2D3N	G2D2T	G2D2N	G2D1T	G2D1N	xxxx xxxx	uuuu uuuu
F22h	CLC2GLS2	G3D4T	G3D4N	G3D3T	G3D3N	G3D2T	G3D2N	G3D1T	G3D1N	xxxx xxxx	uuuu uuuu
F23h	CLC2GLS3	G4D4T	G4D4N	G4D3T	G4D3N	G4D2T	G4D2N	G4D1T	G4D1N	xxxx xxxx	uuuu uuuu
F24h	CLC3CON	EN	—	OUT	INTP	INTN	MODE<2:0>			0-00 0000	0-00 0000
F25h	CLC3POL	POL	—	—	—	G4POL	G3POL	G2POL	G1POL	0--- xxxx	0--- uuuu
F26h	CLC3SEL0	—	—	D1S<5:0>						--xx xxxx	--uu uuuu
F27h	CLC3SEL1	—	—	D2S<5:0>						--xx xxxx	--uu uuuu
F28h	CLC3SEL2	—	—	D3S<5:0>						--xx xxxx	--uu uuuu
F29h	CLC3SEL3	—	—	D4S<5:0>						--xx xxxx	--uu uuuu
F2Ah	CLC3GLS0	G1D4T	G1D4N	G1D3T	G1D3N	G1D2T	G1D2N	G1D1T	G1D1N	xxxx xxxx	uuuu uuuu

Legend: x = unknown, u = unchanged, c = value depends on condition, - = unimplemented, read as '0', r = reserved.
Shaded locations are unimplemented, read as '0'.

- Note**
- 1: Unimplemented, read as '1'.
 - 2: Unimplemented on PIC16LF1777/8/9.
 - 3: Unimplemented on PIC16(L)F1778.

TABLE 3-18: SPECIAL FUNCTION REGISTER SUMMARY (CONTINUED)

Addr	Name	Bit 7	Bit 6	Bit 5	Bit 4	Bit 3	Bit 2	Bit 1	Bit 0	Value on POR, BOR	Value on all other Resets
Bank 30 (Continued)											
F2Bh	CLC3GLS1	G2D4T	G2D4N	G2D3T	G2D3N	G2D2T	G2D2N	G2D1T	G2D1N	xxxx xxxx	uuuu uuuu
F2Ch	CLC3GLS2	G3D4T	G3D4N	G3D3T	G3D3N	G3D2T	G3D2N	G3D1T	G3D1N	xxxx xxxx	uuuu uuuu
F2Dh	CLC3GLS3	G4D4T	G4D4N	G4D3T	G4D3N	G4D2T	G4D2N	G4D1T	G4D1N	xxxx xxxx	uuuu uuuu
F2Eh	CLC4CON	EN	OE	OUT	INTP	INTN	MODE<2:0>			0000 0000	0000 0000
F2Fh	CLC4POL	POL	—	—	—	G4POL	G3POL	G2POL	G1POL	0--- xxxx	0--- uuuu
F30h	CLC4SEL0	D1S<7:0>								xxxx xxxx	uuuu uuuu
F31h	CLC4SEL1	D2S<7:0>								xxxx xxxx	uuuu uuuu
F32h	CLC4SEL2	D3S<7:0>								xxxx xxxx	uuuu uuuu
F33h	CLC4SEL3	D4S<7:0>								xxxx xxxx	uuuu uuuu
F34h	CLC4GLS0	G1D4T	G1D4N	G1D3T	G1D3N	G1D2T	G1D2N	G1D1T	G1D1N	xxxx xxxx	uuuu uuuu
F35h	CLC4GLS1	G2D4T	G2D4N	G2D3T	G2D3N	G2D2T	G2D2N	G2D1T	G2D1N	xxxx xxxx	uuuu uuuu
F36h	CLC4GLS2	G3D4T	G3D4N	G3D3T	G3D3N	G3D2T	G3D2N	G3D1T	G3D1N	xxxx xxxx	uuuu uuuu
F37h	CLC4GLS3	G4D4T	G4D4N	G4D3T	G4D3N	G4D2T	G4D2N	G4D1T	G4D1N	xxxx xxxx	uuuu uuuu
F2Eh — F6Fh	—	Unimplemented								—	—

Legend: x = unknown, u = unchanged, c = value depends on condition, - = unimplemented, read as '0', r = reserved.
Shaded locations are unimplemented, read as '0'.

- Note** 1: Unimplemented, read as '1'.
2: Unimplemented on PIC16LF1777/8/9.
3: Unimplemented on PIC16(L)F1778.

TABLE 3-18: SPECIAL FUNCTION REGISTER SUMMARY (CONTINUED)

Addr	Name	Bit 7	Bit 6	Bit 5	Bit 4	Bit 3	Bit 2	Bit 1	Bit 0	Value on POR, BOR	Value on all other Resets	
Bank 31												
F8Ch to FE3h	—	Unimplemented								—	—	
FE4h	STATUS_SHAD	—	—	—	—	—	Z	DC	C	---- -xxx	---- -uuu	
FE5h	WREG_SHAD	Working Register Shadow								xxxx xxxx	uuuu uuuu	
FE6h	BSR_SHAD	—	—	—	Bank Select Register Shadow					---x xxxx	---u uuuu	
FE7h	PCLATH_SHAD	—	Program Counter Latch High Register Shadow								-xxx xxxx	uuuu uuuu
FE8h	FSR0L_SHAD	Indirect Data Memory Address 0 Low Pointer Shadow								xxxx xxxx	uuuu uuuu	
FE9h	FSR0H_SHAD	Indirect Data Memory Address 0 High Pointer Shadow								xxxx xxxx	uuuu uuuu	
FEAh	FSR1L_SHAD	Indirect Data Memory Address 1 Low Pointer Shadow								xxxx xxxx	uuuu uuuu	
FEBh	FSR1H_SHAD	Indirect Data Memory Address 1 High Pointer Shadow								xxxx xxxx	uuuu uuuu	
FECh	—	Unimplemented								—	—	
FEDh	STKPTR	—	—	—	Current Stack Pointer					---1 1111	---1 1111	
FEEh	TOSL	Top of Stack Low byte								xxxx xxxx	uuuu uuuu	
FEFh	TOSH	—	Top of Stack High byte								-xxx xxxx	-uuu uuuu

Legend: x = unknown, u = unchanged, q = value depends on condition, - = unimplemented, read as '0', r = reserved.
Shaded locations are unimplemented, read as '0'.

- Note**
- 1: Unimplemented, read as '1'.
 - 2: Unimplemented on PIC16LF1777/8/9.
 - 3: Unimplemented on PIC16(L)F1778.

3.5 PCL and PCLATH

The Program Counter (PC) is 15 bits wide. The low byte comes from the PCL register, which is a readable and writable register. The high byte (PC<14:8>) is not directly readable or writable and comes from PCLATH. On any Reset, the PC is cleared. Figure 3-4 shows the five situations for the loading of the PC.

FIGURE 3-4: LOADING OF PC IN DIFFERENT SITUATIONS



3.5.1 MODIFYING PCL

Executing any instruction with the PCL register as the destination simultaneously causes the Program Counter PC<14:8> bits (PCH) to be replaced by the contents of the PCLATH register. This allows the entire contents of the program counter to be changed by writing the desired upper seven bits to the PCLATH register. When the lower eight bits are written to the PCL register, all 15 bits of the program counter will change to the values contained in the PCLATH register and those being written to the PCL register.

3.5.2 COMPUTED GOTO

A computed GOTO is accomplished by adding an offset to the program counter (ADDWF PCL). When performing a table read using a computed GOTO method, care should be exercised if the table location crosses a PCL memory boundary (each 256-byte block). Refer to Application Note AN556, "Implementing a Table Read" (DS00556).

3.5.3 COMPUTED FUNCTION CALLS

A computed function CALL allows programs to maintain tables of functions and provide another way to execute state machines or look-up tables. When performing a table read using a computed function CALL, care should be exercised if the table location crosses a PCL memory boundary (each 256-byte block).

If using the CALL instruction, the PCH<2:0> and PCL registers are loaded with the operand of the CALL instruction. PCH<6:3> is loaded with PCLATH<6:3>.

The CALLW instruction enables computed calls by combining PCLATH and W to form the destination address. A computed CALLW is accomplished by loading the W register with the desired address and executing CALLW. The PCL register is loaded with the value of W and PCH is loaded with PCLATH.

3.5.4 BRANCHING

The branching instructions add an offset to the PC. This allows relocatable code and code that crosses page boundaries. There are two forms of branching, BRW and BRA. The PC will have incremented to fetch the next instruction in both cases. When using either branching instruction, a PCL memory boundary may be crossed.

If using BRW, load the W register with the desired unsigned address and execute BRW. The entire PC will be loaded with the address PC + 1 + W.

If using BRA, the entire PC will be loaded with PC + 1 +, the signed value of the operand of the BRA instruction.

PIC16(L)F1777/8/9

3.6 Stack

All devices have a 16-level x 15-bit wide hardware stack (refer to Figures 3-1 and 3-2). The stack space is not part of either program or data space. The PC is PUSHed onto the stack when `CALL` or `CALLW` instructions are executed or an interrupt causes a branch. The stack is POPed in the event of a `RETURN`, `RETLW` or a `RETFIE` instruction execution. `PCLATH` is not affected by a `PUSH` or `POP` operation.

The stack operates as a circular buffer if the `STVREN` bit is programmed to '0' (Configuration Words). This means that after the stack has been PUSHed sixteen times, the seventeenth PUSH overwrites the value that was stored from the first PUSH. The eighteenth PUSH overwrites the second PUSH (and so on). The `STKOVF` and `STKUNF` flag bits will be set on an Overflow/Underflow, regardless of whether the Reset is enabled.

Note: There are no instructions/mnemonics called `PUSH` or `POP`. These are actions that occur from the execution of the `CALL`, `CALLW`, `RETURN`, `RETLW` and `RETFIE` instructions or the vectoring to an interrupt address.

3.6.1 ACCESSING THE STACK

The stack is available through the `TOSH`, `TOSL` and `STKPTR` registers. `STKPTR` is the current value of the Stack Pointer. The `TOSH:TOSL` register pair points to the TOP of the stack. Both registers are read/writable. `TOS` is split into `TOSH` and `TOSL` due to the 15-bit size of the PC. To access the stack, adjust the value of `STKPTR`, which will position `TOSH:TOSL`, then read/write to `TOSH:TOSL`. `STKPTR` is five bits to allow detection of overflow and underflow.

Note: Care should be taken when modifying the `STKPTR` while interrupts are enabled.

During normal program operation, `CALL`, `CALLW` and Interrupts will increment `STKPTR` while `RETLW`, `RETURN`, and `RETFIE` will decrement `STKPTR`. At any time, `STKPTR` can be inspected to see how much stack is left. The `STKPTR` always points at the currently used place on the stack. Therefore, a `CALL` or `CALLW` will increment the `STKPTR` and then write the PC, and a return will unload the PC and then decrement the `STKPTR`.

Reference Figure 3-5 through Figure 3-8 for examples of accessing the stack.

FIGURE 3-5: ACCESSING THE STACK EXAMPLE 1



FIGURE 3-6: ACCESSING THE STACK EXAMPLE 2



FIGURE 3-7: ACCESSING THE STACK EXAMPLE 3



PIC16(L)F1777/8/9

FIGURE 3-8: ACCESSING THE STACK EXAMPLE 4



3.6.2 OVERFLOW/UNDERFLOW RESET

If the STVREN bit in Configuration Words is programmed to '1', the device will be reset if the stack is PUSHed beyond the sixteenth level or POPed beyond the first level, setting the appropriate bits (STKOVF or STKUNF, respectively) in the PCON register.

3.7 Indirect Addressing

The INDFn registers are not physical registers. Any instruction that accesses an INDFn register actually accesses the register at the address specified by the File Select Registers (FSR). If the FSRn address specifies one of the two INDFn registers, the read will return '0' and the write will not occur (though Status bits may be affected). The FSRn register value is created by the pair FSRnH and FSRnL.

The FSR registers form a 16-bit address that allows an addressing space with 65536 locations. These locations are divided into three memory regions:

- Traditional Data Memory
- Linear Data Memory
- Program Flash Memory

FIGURE 3-9: INDIRECT ADDRESSING

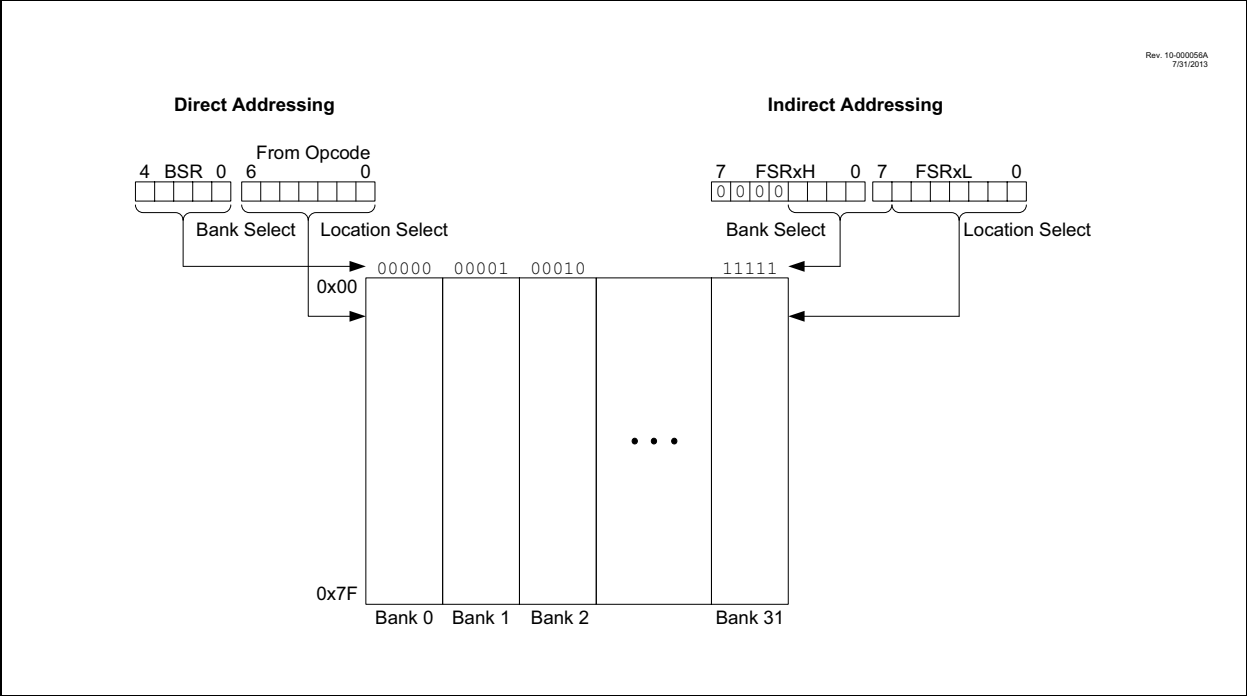


PIC16(L)F1777/8/9

3.7.1 TRADITIONAL DATA MEMORY

The traditional data memory is a region from FSR address 0x000 to FSR address 0xFFF. The addresses correspond to the absolute addresses of all SFR, GPR and common registers.

FIGURE 3-10: TRADITIONAL DATA MEMORY MAP



3.7.2 LINEAR DATA MEMORY

The linear data memory is the region from FSR address 0x2000 to FSR address 0x29AF. This region is a virtual region that points back to the 80-byte blocks of GPR memory in all the banks.

Unimplemented memory reads as 0x00. Use of the linear data memory region allows buffers to be larger than 80 bytes because incrementing the FSR beyond one bank will go directly to the GPR memory of the next bank.

The 16 bytes of common memory are not included in the linear data memory region.

FIGURE 3-11: LINEAR DATA MEMORY MAP



3.7.3 PROGRAM FLASH MEMORY

To make constant data access easier, the entire program Flash memory is mapped to the upper half of the FSR address space. When the MSB of FSRnH is set, the lower 15 bits are the address in program memory which will be accessed through INDF. Only the lower eight bits of each memory location is accessible via INDF. Writing to the program Flash memory cannot be accomplished via the FSR/INDF interface. All instructions that access program Flash memory via the FSR/INDF interface will require one additional instruction cycle to complete.

FIGURE 3-12: PROGRAM FLASH MEMORY MAP



PIC16(L)F1777/8/9

4.0 DEVICE CONFIGURATION

Device configuration consists of Configuration Words, Code Protection and Device ID.

4.1 Configuration Words

There are several Configuration Word bits that allow different oscillator and memory protection options. These are implemented as Configuration Word 1 at 8007h and Configuration Word 2 at 8008h.

Note: The $\overline{\text{DEBUG}}$ bit in Configuration Words is managed automatically by device development tools including debuggers and programmers. For normal device operation, this bit should be maintained as a '1'.

4.2 Register Definitions: Configuration Words

REGISTER 4-1: CONFIG1: CONFIGURATION WORD 1

R/P-1	R/P-1	R/P-1	R/P-1	R/P-1	U-1
FCMEN	IESO	CLKOUTEN	BOREN<1:0>		—
bit 13					bit 8

R/P-1	R/P-1	R/P-1	R/P-1	R/P-1	R/P-1	R/P-1	R/P-1
$\overline{CP}^{(1)}$	MCLRE	\overline{PWRT}	WDTE<1:0>		FOSC<2:0>		
bit 7							bit 0

Legend:

R = Readable bit P = Programmable bit U = Unimplemented bit, read as '1'
 '0' = Bit is cleared '1' = Bit is set -n = Value when blank or after Bulk Erase

- bit 13 **FCMEN:** Fail-Safe Clock Monitor Enable bit
 1 = ON Fail-Safe Clock Monitor and internal/external switchover are both enabled
 0 = OFF Fail-Safe Clock Monitor is disabled
- bit 12 **IESO:** Internal External Switchover bit
 1 = ON Internal/External Switchover mode is enabled
 0 = OFF Internal/External Switchover mode is disabled
- bit 11 **CLKOUTEN:** Clock Out Enable bit
If FOSC Configuration bits are set to LP, XT, HS modes:
 This bit is ignored, CLKOUT function is disabled. Oscillator function on the CLKOUT pin.
All other FOSC modes:
 1 = ON CLKOUT function is disabled. I/O function on the CLKOUT pin.
 0 = OFF CLKOUT function is enabled on the CLKOUT pin.
- bit 10-9 **BOREN<1:0>:** Brown-out Reset Enable bits
 11 = ON BOR enabled
 10 = NSLEEP BOR enabled during operation and disabled in Sleep
 01 = SBODEN BOR controlled by SBOREN bit of the BORCON register
 00 = OFF BOR disabled
- bit 8 **Unimplemented:** Read as '1'
- bit 7 **CP:** Code Protection bit⁽¹⁾
 1 = OFF Program memory code protection is disabled
 0 = ON Program memory code protection is enabled
- bit 6 **MCLRE:** \overline{MCLR}/V_{PP} Pin Function Select bit
If LVP bit = 1:
 This bit is ignored.
If LVP bit = 0:
 1 = ON \overline{MCLR}/V_{PP} pin function is \overline{MCLR} ; Weak pull-up enabled.
 0 = OFF \overline{MCLR}/V_{PP} pin function is digital input; \overline{MCLR} internally disabled; Weak pull-up under control of WPUA3 bit.
- bit 5 **\overline{PWRT} :** Power-up Timer Enable bit
 1 = OFF PWRT disabled
 0 = ON PWRT enabled
- bit 4-3 **WDTE<1:0>:** Watchdog Timer Enable bit
 11 = ON WDT enabled
 10 = NSLEEP WDT enabled while running and disabled in Sleep
 01 = SWDTEN WDT controlled by the SWDTEN bit in the WDTCON register
 00 = OFF WDT disabled

PIC16(L)F1777/8/9

REGISTER 4-1: CONFIG1: CONFIGURATION WORD 1 (CONTINUED)

bit 2-0	FOSC<2:0> : Oscillator Selection bits
111	= ECH External Clock, High-Power mode: CLKIN supplied to OSC1/CLKIN pin
110	= ECM External Clock, Medium Power mode: CLKIN supplied to OSC1/CLKIN pin
101	= ECL External Clock, Low-Power mode: CLKIN supplied to OSC1/CLKIN pin
100	= INTOSC Internal HFINTOSC. I/O function on CLKIN pin
011	= EXTRC External RC circuit connected to CLKIN pin
010	= HS High-speed crystal/resonator connected between OSC1 and OSC2 pins
001	= XT Crystal/resonator connected between OSC1 and OSC2 pins
000	= LP Low-power crystal connected between OSC1 and OSC2 pins

Note 1: The entire Flash program memory will be erased when the code protection is turned off during an erase. When a Bulk Erase Program Memory command is executed, the entire program Flash memory and configuration memory will be erased.

REGISTER 4-2: CONFIG2: CONFIGURATION WORD 2

R/P-1	R/P-1	R/P-1	R/P-1	R/P-1	R/P-1
LVP ⁽¹⁾	DEBUG ⁽²⁾	LPBOR	BORV ⁽³⁾	STVREN	PLLEN
bit 13					bit 8

R/P-1	U-1	U-1	U-1	U-1	R/P-1	R/P-1	R/P-1
ZCD	—	—	—	—	PPS1WAY	WRT<1:0>	
bit 7							bit 0

Legend:

R = Readable bit P = Programmable bit U = Unimplemented bit, read as '1'
 '0' = Bit is cleared '1' = Bit is set -n = Value when blank or after Bulk Erase

- bit 13 **LVP:** Low-Voltage Programming Enable bit⁽¹⁾
 1 = ON Low-voltage programming enabled
 0 = OFF High-voltage on MCLR must be used for programming
- bit 12 **DEBUG:** In-Circuit Debugger Mode bit⁽²⁾
 1 = OFF In-Circuit Debugger disabled, ICSPCLK and ICSPDAT are general purpose I/O pins
 0 = ON In-Circuit Debugger enabled, ICSPCLK and ICSPDAT are dedicated to the debugger
- bit 11 **LPBOR:** Low-Power BOR Enable bit
 1 = OFF Low-Power Brown-out Reset is disabled
 0 = ON Low-Power Brown-out Reset is enabled
- bit 10 **BORV:** Brown-out Reset Voltage Selection bit⁽³⁾
 1 = LO Brown-out Reset voltage (VBOR), low trip point selected
 0 = HI Brown-out Reset voltage (VBOR), high trip point selected
- bit 9 **STVREN:** Stack Overflow/Underflow Reset Enable bit
 1 = ON Stack Overflow or Underflow will cause a Reset
 0 = OFF Stack Overflow or Underflow will not cause a Reset
- bit 8 **PLLEN:** PLL Enable bit
 1 = ON 4xPLL enabled
 0 = OFF 4xPLL disabled
- bit 7 **ZCD:** ZCD Enable bit
 1 = OFF ZCD disabled. ZCD can be enabled by setting the ZCDSEN bit of ZCDCON
 0 = ON ZCD always enabled
- bit 6-3 **Unimplemented:** Read as '1'
- bit 2 **PPS1WAY:** PPSLOCK Bit One-Way Set Enable bit
 1 = ON The PPSLOCK bit can only be set once after an unlocking sequence is executed; once PPSLOCK is set, all future changes to PPS registers are prevented
 0 = OFF The PPSLOCK bit can be set and cleared as needed (provided an unlocking sequence is executed)
- bit 1-0 **WRT<1:0>:** Flash Memory Self-Write Protection bits
4 kW Flash memory (PIC16(L)F1764/8)
 11 = OFF Write protection off
 10 = BOOT 0000h to 01FFh write protected, 0200h to 0FFFh may be modified by PMCON control
 01 = HALF 0000h to 07FFh write protected, 0800h to 0FFFh may be modified by PMCON control
 00 = ALL 0000h to 0FFFh write protected, no addresses may be modified by PMCON control
8 kW Flash memory (PIC16(L)F1765/9)
 11 = OFF Write protection off
 10 = BOOT 0000h to 01FFh write protected, 0200h to 1FFFh may be modified by PMCON control
 01 = HALF 0000h to 0FFFh write protected, 1000h to 1FFFh may be modified by PMCON control
 00 = ALL 0000h to 1FFFh write protected, no addresses may be modified by PMCON control

- Note 1:** The LVP bit cannot be programmed to '0' when Programming mode is entered via LVP.
Note 2: The DEBUG bit in Configuration Words is managed automatically by device development tools including debuggers and programmers. For normal device operation, this bit should be maintained as a '1'.
Note 3: See VBOR parameter for specific trip point voltages.

4.3 Code Protection

Code protection allows the device to be protected from unauthorized access. Program memory protection is controlled independently. Internal access to the program memory is unaffected by any code protection setting.

4.3.1 PROGRAM MEMORY PROTECTION

The entire program memory space is protected from external reads and writes by the CP bit in Configuration Words. When $\overline{CP} = 0$, external reads and writes of program memory are inhibited and a read will return all '0's. The CPU can continue to read program memory, regardless of the protection bit settings. Writing the program memory is dependent upon the write protection setting. See [Section 4.4 "Write Protection"](#) for more information.

4.4 Write Protection

Write protection allows the device to be protected from unintended self-writes. Applications, such as boot loader software, can be protected while allowing other regions of the program memory to be modified.

The WRT<1:0> bits in Configuration Words define the size of the program memory block that is protected.

4.5 User ID

Four memory locations (8000h-8003h) are designated as ID locations where the user can store checksum or other code identification numbers. These locations are readable and writable during normal execution. See [Section 10.4 "User ID, Device ID and Configuration Word Access"](#) for more information on accessing these memory locations. For more information on checksum calculation, see the *"PIC16(L)F170X Memory Programming Specification"* (DS41683).

4.6 Device ID and Revision ID

The 14-bit device ID word is located at 8006h and the 14-bit revision ID is located at 8005h. These locations are read-only and cannot be erased or modified. See **Section 10.4 “User ID, Device ID and Configuration Word Access”** for more information on accessing these memory locations.

Development tools, such as device programmers and debuggers, may be used to read the Device ID and Revision ID.

4.7 Register Definitions: Device and Revision

REGISTER 4-3: DEVID: DEVICE ID REGISTER

R	R	R	R	R	R	R
DEV<13:8>						
bit 13			bit 8			

R	R	R	R	R	R	R	R
DEV<7:0>							
bit 7				bit 0			

Legend:

R = Readable bit

'1' = Bit is set

'0' = Bit is cleared

bit 13-0 **DEV<13:0>**: Device ID bits

Device	DEVID<13:0> Values
PIC16F1777	11 0000 1000 1110 (308E)
PIC16F1778	11 0000 1000 1111 (308F)
PIC16F1779	11 0000 1001 0000 (3090)
PIC16LF1777	11 0000 1001 0001 (3091)
PIC16LF1778	11 0000 1001 0010 (3092)
PIC16LF1779	11 0000 1001 0011 (3093)

PIC16(L)F1777/8/9

REGISTER 4-4: REVID: REVISION ID REGISTER

R	R	R	R	R	R	R	R
REV<13:8>							
bit 13				bit 8			

R	R	R	R	R	R	R	R
REV<7:0>							
bit 7				bit 0			

Legend:

R = Readable bit

'1' = Bit is set

'0' = Bit is cleared

bit 13-0 **REV<13:0>**: Revision ID bits

5.0 OSCILLATOR MODULE (WITH FAIL-SAFE CLOCK MONITOR)

5.1 Overview

The oscillator module has a wide variety of clock sources and selection features that allow it to be used in a wide range of applications while maximizing performance and minimizing power consumption. [Figure 5-1](#) illustrates a block diagram of the oscillator module.

Clock sources can be supplied from external oscillators, quartz crystal resonators, ceramic resonators and Resistor-Capacitor (RC) circuits. In addition, the system clock source can be supplied from one of two internal oscillators and PLL circuits, with a choice of speeds selectable via software. Additional clock features include:

- Selectable system clock source between external or internal sources via software.
- Two-Speed Start-up mode, which minimizes latency between external oscillator start-up and code execution.
- Fail-Safe Clock Monitor (FSCM) designed to detect a failure of the external clock source (LP, XT, HS, ECH, ECM, ECL or EXTRC modes) and switch automatically to the internal oscillator.
- Oscillator Start-up Timer (OST) ensures stability of crystal oscillator sources.

The oscillator module can be configured in one of the following clock modes.

1. ECL – External Clock Low-Power mode (0 MHz to 0.5 MHz)
2. ECM – External Clock Medium Power mode (0.5 MHz to 4 MHz)
3. ECH – External Clock High-Power mode (4 MHz to 32 MHz)
4. LP – 32 kHz Low-Power Crystal mode.
5. XT – Medium Gain Crystal or Ceramic Resonator Oscillator mode (up to 4 MHz)
6. HS – High Gain Crystal or Ceramic Resonator mode (4 MHz to 20 MHz)
7. EXTRC – External Resistor-Capacitor
8. INTOSC – Internal oscillator (31 kHz to 32 MHz)

Clock Source modes are selected by the FOSC<2:0> bits in the Configuration Words. The FOSC bits determine the type of oscillator that will be used when the device is first powered.

The ECH, ECM, and ECL clock modes rely on an external logic level signal as the device clock source. The LP, XT, and HS clock modes require an external crystal or resonator to be connected to the device. Each mode is optimized for a different frequency range. The EXTRC clock mode requires an external resistor and capacitor to set the oscillator frequency.

The INTOSC internal oscillator block produces low, medium, and high-frequency clock sources, designated LFINTOSC, MFINTOSC and HFINTOSC. (see Internal Oscillator Block, [Figure 5-1](#)). A wide selection of device clock frequencies may be derived from these three clock sources.

PIC16(L)F1777/8/9

FIGURE 5-1: SIMPLIFIED PIC® MCU CLOCK SOURCE BLOCK DIAGRAM



5.2 Clock Source Types

Clock sources can be classified as external or internal.

External clock sources rely on external circuitry for the clock source to function. Examples are: oscillator modules (ECH, ECM, ECL mode), quartz crystal resonators or ceramic resonators (LP, XT and HS modes) and Resistor-Capacitor (EXTRC) mode circuits.

Internal clock sources are contained within the oscillator module. The internal oscillator block has two internal oscillators and a dedicated Phase Lock Loop (HFPLL) that are used to generate three internal system clock sources: the 16 MHz High-Frequency Internal Oscillator (HFINTOSC), 500 kHz (MFINTOSC) and the 31 kHz Low-Frequency Internal Oscillator (LFINTOSC).

The system clock can be selected between external or internal clock sources via the System Clock Select (SCS) bits in the OSCCON register. See [Section 5.3 “Clock Switching”](#) for additional information.

5.2.1 EXTERNAL CLOCK SOURCES

An external clock source can be used as the device system clock by performing one of the following actions:

- Program the FOSC<2:0> bits in the Configuration Words to select an external clock source that will be used as the default system clock upon a device Reset.
- Write the SCS<1:0> bits in the OSCCON register to switch the system clock source to:
 - Secondary oscillator during run-time, or
 - An external clock source determined by the value of the FOSC bits.

See [Section 5.3 “Clock Switching”](#) for more information.

5.2.1.1 EC Mode

The External Clock (EC) mode allows an externally generated logic level signal to be the system clock source. When operating in this mode, an external clock source is connected to the OSC1 input. OSC2/CLKOUT is available for general purpose I/O or CLKOUT. [Figure 5-2](#) shows the pin connections for EC mode.

EC mode has three power modes to select from through Configuration Words:

- ECH – High power, 4-32 MHz
- ECM – Medium power, 0.5-4 MHz
- ECL – Low power, 0-0.5 MHz

The Oscillator Start-up Timer (OST) is disabled when EC mode is selected. Therefore, there is no delay in operation after a Power-on Reset (POR) or wake-up from Sleep. Because the PIC® MCU design is fully static, stopping the external clock input will have the effect of halting the device while leaving all data intact. Upon restarting the external clock, the device will resume operation as if no time had elapsed.

FIGURE 5-2: EXTERNAL CLOCK (EC) MODE OPERATION



5.2.1.2 LP, XT, HS Modes

The LP, XT and HS modes support the use of quartz crystal resonators or ceramic resonators connected to OSC1 and OSC2 ([Figure 5-3](#)). The three modes select a low, medium or high gain setting of the internal inverter-amplifier to support various resonator types and speed.

LP Oscillator mode selects the lowest gain setting of the internal inverter-amplifier. LP mode current consumption is the least of the three modes. This mode is designed to drive only 32.768 kHz tuning-fork type crystals (watch crystals).

XT Oscillator mode selects the intermediate gain setting of the internal inverter-amplifier. XT mode current consumption is the medium of the three modes. This mode is best suited to drive resonators with a medium drive level specification.

HS Oscillator mode selects the highest gain setting of the internal inverter-amplifier. HS mode current consumption is the highest of the three modes. This mode is best suited for resonators that require a high drive setting.

[Figure 5-3](#) and [Figure 5-4](#) show typical circuits for quartz crystal and ceramic resonators, respectively.

PIC16(L)F1777/8/9

FIGURE 5-3: QUARTZ CRYSTAL OPERATION (LP, XT OR HS MODE)



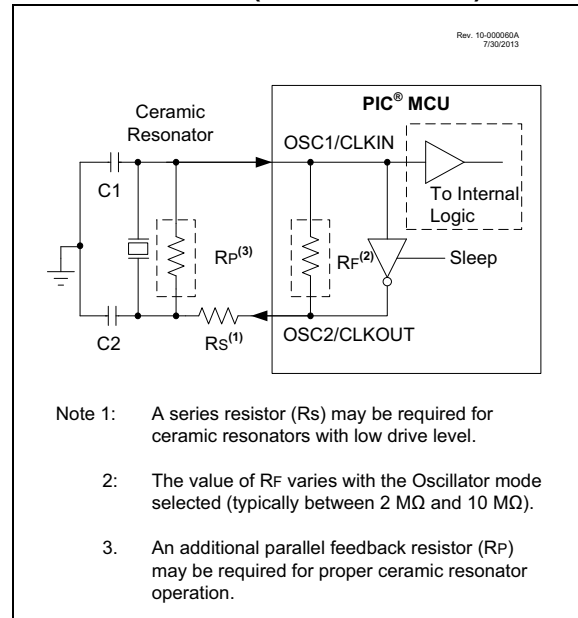
Note 1: Quartz crystal characteristics vary according to type, package and manufacturer. The user should consult the manufacturer data sheets for specifications and recommended application.

2: Always verify oscillator performance over the V_{DD} and temperature range that is expected for the application.

3: For oscillator design assistance, reference the following Microchip Application Notes:

- AN826, “Crystal Oscillator Basics and Crystal Selection for *rfPIC*[®] and *PIC*[®] Devices” (DS00826)
- AN849, “Basic *PIC*[®] Oscillator Design” (DS00849)
- AN943, “Practical *PIC*[®] Oscillator Analysis and Design” (DS00943)
- AN949, “Making Your Oscillator Work” (DS00949)

FIGURE 5-4: CERAMIC RESONATOR OPERATION (XT OR HS MODE)



5.2.1.3 Oscillator Start-up Timer (OST)

If the oscillator module is configured for LP, XT or HS modes, the Oscillator Start-up Timer (OST) counts 1024 oscillations from OSC1. This occurs following a Power-on Reset (POR) and when the Power-up Timer (PWRT) has expired (if configured), or a wake-up from Sleep. During this time, the program counter does not increment and program execution is suspended, unless either FSCM or Two-Speed Start-Up are enabled. In this case, code will continue to execute at the selected INTOSC frequency while the OST is counting. The OST ensures that the oscillator circuit, using a quartz crystal resonator or ceramic resonator, has started and is providing a stable system clock to the oscillator module.

In order to minimize latency between external oscillator start-up and code execution, the Two-Speed Clock Start-up mode can be selected (see [Section 5.4 “Two-Speed Clock Start-up Mode”](#)).

5.2.1.4 4x PLL

The oscillator module contains a 4x PLL that can be used with both external and internal clock sources to provide a system clock source. The input frequency for the 4x PLL must fall within specifications. See the PLL Clock Timing Specifications in [Table 36-9](#).

The 4x PLL may be enabled for use by one of two methods:

1. Program the PLEN bit in Configuration Words to a '1'.
2. Write the SPLLEN bit in the OSCCON register to a '1'. If the PLEN bit in Configuration Words is programmed to a '1', then the value of SPLLEN is ignored.

5.2.1.5 Secondary Oscillator

The secondary oscillator is a separate crystal oscillator that is associated with the Timer1 peripheral. It is optimized for timekeeping operations with a 32.768 kHz crystal connected between the SOSCO and SOSCI device pins.

The secondary oscillator can be used as an alternate system clock source and can be selected during run-time using clock switching. Refer to [Section 5.3 "Clock Switching"](#) for more information.

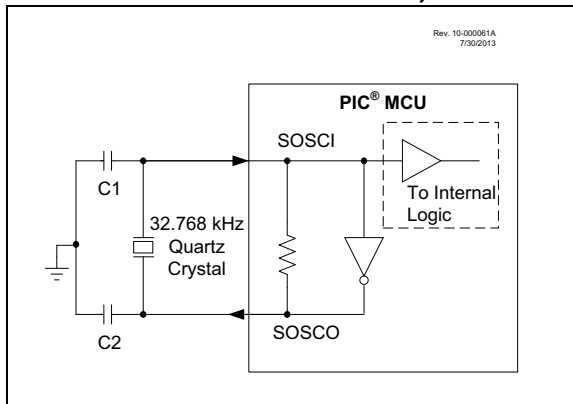
Note 1: Quartz crystal characteristics vary according to type, package and manufacturer. The user should consult the manufacturer data sheets for specifications and recommended application.

2: Always verify oscillator performance over the VDD and temperature range that is expected for the application.

3: For oscillator design assistance, reference the following Microchip Application Notes:

- AN826, "Crystal Oscillator Basics and Crystal Selection for rPIC® and PIC® Devices" (DS00826)
- AN849, "Basic PIC® Oscillator Design" (DS00849)
- AN943, "Practical PIC® Oscillator Analysis and Design" (DS00943)
- AN949, "Making Your Oscillator Work" (DS00949)
- TB097, "Interfacing a Micro Crystal MS1V-T1K 32.768 kHz Tuning Fork Crystal to a PIC16F690/SS" (DS91097)
- AN1288, "Design Practices for Low-Power External Oscillators" (DS01288)

FIGURE 5-5: QUARTZ CRYSTAL OPERATION (SECONDARY OSCILLATOR)



PIC16(L)F1777/8/9

5.2.1.6 External RC Mode

The external Resistor-Capacitor (EXTRC) mode supports the use of an external RC circuit. This allows the designer maximum flexibility in frequency choice while keeping costs to a minimum when clock accuracy is not required.

The RC circuit connects to OSC1. OSC2/CLKOUT is available for general purpose I/O or CLKOUT. The function of the OSC2/CLKOUT pin is determined by the CLKOUTTEN bit in Configuration Words.

Figure 5-6 shows the external RC mode connections.

FIGURE 5-6: EXTERNAL RC MODES



The RC oscillator frequency is a function of the supply voltage, the resistor (R_{EXT}) and capacitor (C_{EXT}) values and the operating temperature. Other factors affecting the oscillator frequency are:

- threshold voltage variation
- component tolerances
- packaging variations in capacitance

The user also needs to take into account variation due to tolerance of external RC components used.

5.2.2 INTERNAL CLOCK SOURCES

The device may be configured to use the internal oscillator block as the system clock by performing one of the following actions:

- Program the FOSC<2:0> bits in Configuration Words to select the INTOSC clock source, which will be used as the default system clock upon a device Reset.
- Write the SCS<1:0> bits in the OSCCON register to switch the system clock source to the internal oscillator during run-time. See [Section 5.3 “Clock Switching”](#) for more information.

In INTOSC mode, OSC1/CLKIN is available for general purpose I/O. OSC2/CLKOUT is available for general purpose I/O or CLKOUT.

The function of the OSC2/CLKOUT pin is determined by the CLKOUTTEN bit in Configuration Words.

The internal oscillator block has two independent oscillators and a dedicated Phase Lock Loop, HFPLL, that can produce one of three internal system clock sources.

1. The **HFINTOSC** (High-Frequency Internal Oscillator) is factory calibrated and operates at 16 MHz. The HFINTOSC source is generated from the 500 kHz MFINTOSC source and the dedicated Phase Lock Loop, HFPLL. The frequency of the HFINTOSC can be user-adjusted via software using the OSCTUNE register ([Register 5-3](#)).
2. The **MFINTOSC** (Medium-Frequency Internal Oscillator) is factory calibrated and operates at 500 kHz. The frequency of the MFINTOSC can be user-adjusted via software using the OSCTUNE register ([Register 5-3](#)).
3. The **LFINTOSC** (Low-Frequency Internal Oscillator) is uncalibrated and operates at 31 kHz.

5.2.2.1 HFINTOSC

The High-Frequency Internal Oscillator (HFINTOSC) is a factory calibrated 16 MHz internal clock source. The frequency of the HFINTOSC can be altered via software using the OSCTUNE register ([Register 5-3](#)).

The output of the HFINTOSC connects to a postscaler and multiplexer (see [Figure 5-1](#)). One of multiple frequencies derived from the HFINTOSC can be selected via software using the IRCF<3:0> bits of the OSCCON register. See [Section 5.2.2.7 “Internal Oscillator Clock Switch Timing”](#) for more information.

The HFINTOSC is enabled by:

- Configure the IRCF<3:0> bits of the OSCCON register for the desired HF frequency, and
- FOSC<2:0> = 100, or
- Set the System Clock Source (SCS) bits of the OSCCON register to '1x'.

A fast start-up oscillator allows internal circuits to power up and stabilize before switching to HFINTOSC.

The High-Frequency Internal Oscillator Ready bit (HFIOFR) of the OSCSTAT register indicates when the HFINTOSC is running.

The High-Frequency Internal Oscillator Status Locked bit (HFIOFL) of the OSCSTAT register indicates when the HFINTOSC is running within 2% of its final value.

The High-Frequency Internal Oscillator Stable bit (HFIOFS) of the OSCSTAT register indicates when the HFINTOSC is running within 0.5% of its final value.

5.2.2.2 MFINTOSC

The Medium-Frequency Internal Oscillator (MFINTOSC) is a factory calibrated 500 kHz internal clock source. The frequency of the MFINTOSC can be altered via software using the OSCTUNE register ([Register 5-3](#)).

The output of the MFINTOSC connects to a postscaler and multiplexer (see [Figure 5-1](#)). One of nine frequencies derived from the MFINTOSC can be selected via software using the IRCF<3:0> bits of the OSCCON register. See [Section 5.2.2.7 “Internal Oscillator Clock Switch Timing”](#) for more information.

The MFINTOSC is enabled by:

- Configure the IRCF<3:0> bits of the OSCCON register for the desired HF frequency, and
- FOSC<2:0> = 100, or
- Set the System Clock Source (SCS) bits of the OSCCON register to '1x'.

The Medium-Frequency Internal Oscillator Ready bit (MFIOFR) of the OSCSTAT register indicates when the MFINTOSC is running.

5.2.2.3 Internal Oscillator Frequency Adjustment

The 500 kHz internal oscillator is factory calibrated. This internal oscillator can be adjusted in software by writing to the OSCTUNE register ([Register 5-3](#)). Since the HFINTOSC and MFINTOSC clock sources are derived from the 500 kHz internal oscillator, a change in the OSCTUNE register value will apply to both.

The default value of the OSCTUNE register is '0'. The value is a 6-bit two's complement number. A value of 1Fh will provide an adjustment to the maximum frequency. A value of 20h will provide an adjustment to the minimum frequency.

When the OSCTUNE register is modified, the oscillator frequency will begin shifting to the new frequency. Code execution continues during this shift. There is no indication that the shift has occurred.

OSCTUNE does not affect the LFINTOSC frequency. Operation of features that depend on the LFINTOSC clock source frequency, such as the Power-up Timer (PWRT), Watchdog Timer (WDT), Fail-Safe Clock Monitor (FSCM) and peripherals, are *not* affected by the change in frequency.

5.2.2.4 LFINTOSC

The Low-Frequency Internal Oscillator (LFINTOSC) is an uncalibrated 31 kHz internal clock source.

The output of the LFINTOSC connects to a multiplexer (see [Figure 5-1](#)). Select 31 kHz, via software, using the IRCF<3:0> bits of the OSCCON register. See [Section 5.2.2.7 “Internal Oscillator Clock Switch Timing”](#) for more information. The LFINTOSC is also the frequency for the Power-up Timer (PWRT), Watchdog Timer (WDT) and Fail-Safe Clock Monitor (FSCM).

The LFINTOSC is enabled by selecting 31 kHz (IRCF<3:0> bits of the OSCCON register = 000) as the system clock source (SCS bits of the OSCCON register = 1x), or when any of the following are enabled:

- Configure the IRCF<3:0> bits of the OSCCON register for the desired LF frequency, and
- FOSC<2:0> = 100, or
- Set the System Clock Source (SCS) bits of the OSCCON register to '1x'.

Peripherals that use the LFINTOSC are:

- Power-up Timer (PWRT)
- Watchdog Timer (WDT)
- Fail-Safe Clock Monitor (FSCM)

The Low-Frequency Internal Oscillator Ready bit (LFIOFR) of the OSCSTAT register indicates when the LFINTOSC is running.

PIC16(L)F1777/8/9

5.2.2.5 Internal Oscillator Frequency Selection

The system clock speed can be selected via software using the Internal Oscillator Frequency Select bits IRCF<3:0> of the OSCCON register.

The postscaled output of the 16 MHz HFINTOSC, 500 kHz MFINTOSC, and 31 kHz LFINTOSC connect to a multiplexer (see [Figure 5-1](#)). The Internal Oscillator Frequency Select bits IRCF<3:0> of the OSCCON register select the frequency output of the internal oscillators. One of the following frequencies can be selected via software:

- 32 MHz (requires 4x PLL)
- 16 MHz
- 8 MHz
- 4 MHz
- 2 MHz
- 1 MHz
- 500 kHz (default after Reset)
- 250 kHz
- 125 kHz
- 62.5 kHz
- 31.25 kHz
- 31 kHz (LFINTOSC)

Note: Following any Reset, the IRCF<3:0> bits of the OSCCON register are set to '0111' and the frequency selection is set to 500 kHz. The user can modify the IRCF bits to select a different frequency.

The IRCF<3:0> bits of the OSCCON register allow duplicate selections for some frequencies. These duplicate choices can offer system design trade-offs. Lower power consumption can be obtained when changing oscillator sources for a given frequency. Faster transition times can be obtained between frequency changes that use the same oscillator source.

5.2.2.6 32 MHz Internal Oscillator Frequency Selection

The Internal Oscillator Block can be used with the 4x PLL associated with the External Oscillator Block to produce a 32 MHz internal system clock source. The following settings are required to use the 32 MHz internal clock source:

- The FOSC bits in Configuration Words must be set to use the INTOSC source as the device system clock (FOSC<2:0> = 100).
- The SCS bits in the OSCCON register must be cleared to use the clock determined by FOSC<2:0> in Configuration Words (SCS<1:0> = 00).
- The IRCF bits in the OSCCON register must be set to the 8 MHz HFINTOSC set to use (IRCF<3:0> = 1110).
- The SPLLEN bit in the OSCCON register must be set to enable the 4x PLL, or the PLEN bit of the Configuration Words must be programmed to a '1'.

Note: When using the PLEN bit of the Configuration Words, the 4x PLL cannot be disabled by software and the SPLLEN option will not be available.

The 4x PLL is not available for use with the internal oscillator when the SCS bits of the OSCCON register are set to '1x'. The SCS bits must be set to '00' to use the 4x PLL with the internal oscillator.

5.2.2.7 Internal Oscillator Clock Switch Timing

When switching between the HFINTOSC, MFINTOSC and the LFINTOSC, the new oscillator may already be shut down to save power (see [Figure 5-7](#)). If this is the case, there is a delay after the IRCF<3:0> bits of the OSCCON register are modified before the frequency selection takes place. The OSCSTAT register will reflect the current active status of the HFINTOSC, MFINTOSC and LFINTOSC oscillators. The sequence of a frequency selection is as follows:

1. IRCF<3:0> bits of the OSCCON register are modified.
2. If the new clock is shut down, a clock start-up delay is started.
3. Clock switch circuitry waits for a falling edge of the current clock.
4. The current clock is held low and the clock switch circuitry waits for a rising edge in the new clock.
5. The new clock is now active.
6. The OSCSTAT register is updated as required.
7. Clock switch is complete.

See [Figure 5-7](#) for more details.

If the internal oscillator speed is switched between two clocks of the same source, there is no start-up delay before the new frequency is selected. Clock switching time delays are shown in [Table 5-1](#).

Start-up delay specifications are located in the oscillator tables of [Section 36.0 “Electrical Specifications”](#).

PIC16(L)F1777/8/9

FIGURE 5-7: INTERNAL OSCILLATOR SWITCH TIMING



5.3 Clock Switching

The system clock source can be switched between external and internal clock sources via software using the System Clock Select (SCS) bits of the OSCCON register. The following clock sources can be selected using the SCS bits:

- Default system oscillator determined by FOSC bits in Configuration Words
- Timer1 32 kHz crystal oscillator
- Internal Oscillator Block (INTOSC)

5.3.1 SYSTEM CLOCK SELECT (SCS) BITS

The System Clock Select (SCS) bits of the OSCCON register select the system clock source that is used for the CPU and peripherals.

- When the SCS bits of the OSCCON register = 00, the system clock source is determined by the value of the FOSC<2:0> bits in the Configuration Words.
- When the SCS bits of the OSCCON register = 01, the system clock source is the secondary oscillator.
- When the SCS bits of the OSCCON register = 1x, the system clock source is chosen by the internal oscillator frequency selected by the IRCF<3:0> bits of the OSCCON register. After a Reset, the SCS bits of the OSCCON register are always cleared.

Note: Any automatic clock switch, which may occur from Two-Speed Start-up or Fail-Safe Clock Monitor, does not update the SCS bits of the OSCCON register. The user can monitor the OSTS bit of the OSCSTAT register to determine the current system clock source.

When switching between clock sources, a delay is required to allow the new clock to stabilize. These oscillator delays are shown in [Table 5-1](#).

5.3.2 OSCILLATOR START-UP TIMER STATUS (OSTS) BIT

The Oscillator Start-up Timer Status (OSTS) bit of the OSCSTAT register indicates whether the system clock is running from the external clock source, as defined by the FOSC<2:0> bits in the Configuration Words, or from the internal clock source. In particular, OSTS indicates that the Oscillator Start-up Timer (OST) has timed out for LP, XT or HS modes. The OST does not reflect the status of the secondary oscillator.

5.3.3 SECONDARY OSCILLATOR

The secondary oscillator is a separate crystal oscillator associated with the Timer1 peripheral. It is optimized for timekeeping operations with a 32.768 kHz crystal connected between the SOSCO and SOSCI device pins.

The secondary oscillator is enabled using the OSCEN control bit in the T1CON register. See [Section 22.0 “Timer1/3/5 Module with Gate Control”](#) for more information about the Timer1 peripheral.

5.3.4 SECONDARY OSCILLATOR READY (SOSCR) BIT

The user must ensure that the secondary oscillator is ready to be used before it is selected as a system clock source. The Secondary Oscillator Ready (SOSCR) bit of the OSCSTAT register indicates whether the secondary oscillator is ready to be used. After the SOSCR bit is set, the SCS bits can be configured to select the secondary oscillator.

5.3.5 CLOCK SWITCH BEFORE SLEEP

When a clock switch from an old clock to a new clock is requested just prior to entering Sleep mode, it is necessary to confirm that the switch is complete before the sleep instruction is executed. Failure to do so may result in an incomplete switch and consequential loss of the system clock altogether. Clock switching is confirmed by monitoring the clock status bits in the OSCSTAT register. Switch confirmation can be accomplished by sensing that the ready bit for the new clock is set or the ready bit for the old clock is cleared. For example, when switching between the internal oscillator with the PLL and the internal oscillator without the PLL, monitor the PLLR bit. When PLLR is set, the switch to 32 MHz operation is complete. Conversely, when PLLR is cleared the switch from 32 MHz operation to the selected internal clock is complete.

PIC16(L)F1777/8/9

5.4 Two-Speed Clock Start-up Mode

Two-Speed Start-up mode provides additional power savings by minimizing the latency between external oscillator start-up and code execution. In applications that make heavy use of the Sleep mode, Two-Speed Start-up will remove the external oscillator start-up time from the time spent awake and can reduce the overall power consumption of the device. This mode allows the application to wake-up from Sleep, perform a few instructions using the INTOSC internal oscillator block as the clock source and go back to Sleep without waiting for the external oscillator to become stable.

Two-Speed Start-up provides benefits when the oscillator module is configured for LP, XT or HS modes. The Oscillator Start-up Timer (OST) is enabled for these modes and must count 1024 oscillations before the oscillator can be used as the system clock source.

If the oscillator module is configured for any mode other than LP, XT or HS mode, then Two-Speed Start-up is disabled. This is because the external clock oscillator does not require any stabilization time after POR or an exit from Sleep.

If the OST count reaches 1024 before the device enters Sleep mode, the OSTS bit of the OSCSTAT register is set and program execution switches to the external oscillator. However, the system may never operate from the external oscillator if the time spent awake is very short.

Note: Executing a SLEEP instruction will abort the oscillator start-up time and will cause the OSTS bit of the OSCSTAT register to remain clear.

5.4.1 TWO-SPEED START-UP MODE CONFIGURATION

Two-Speed Start-up mode is configured by the following settings:

- IESO (of the Configuration Words) = 1; Internal/External Switchover bit (Two-Speed Start-up mode enabled).
- SCS (of the OSCCON register) = 00.
- FOSC<2:0> bits in the Configuration Words configured for LP, XT or HS mode.

Two-Speed Start-up mode is entered after:

- Power-on Reset (POR) and, if enabled, after Power-up Timer (PWRT) has expired, or
- Wake-up from Sleep.

TABLE 5-1: OSCILLATOR SWITCHING DELAYS

Switch From	Switch To	Frequency	Oscillator Delay
Sleep	LFINTOSC ⁽¹⁾ MFINTOSC ⁽¹⁾ HFINTOSC ⁽¹⁾	31 kHz 31.25 kHz-500 kHz 31.25 kHz-16 MHz	Oscillator Warm-up Delay (TWARM) ⁽²⁾
Sleep/POR	EC, RC ⁽¹⁾	DC – 32 MHz	2 cycles
LFINTOSC	EC, RC ⁽¹⁾	DC – 32 MHz	1 cycle of each
Sleep/POR	Secondary Oscillator LP, XT, HS ⁽¹⁾	32 kHz-20 MHz	1024 Clock Cycles (OST)
Any clock source	MFINTOSC ⁽¹⁾ HFINTOSC ⁽¹⁾	31.25 kHz-500 kHz 31.25 kHz-16 MHz	2 μs (approx.)
Any clock source	LFINTOSC ⁽¹⁾	31 kHz	1 cycle of each
Any clock source	Secondary Oscillator	32 kHz	1024 Clock Cycles (OST)
PLL inactive	PLL active	16-32 MHz	2 ms (approx.)

Note 1: PLL inactive.

2: See [Section 36.0 “Electrical Specifications”](#).

5.4.2 TWO-SPEED START-UP SEQUENCE

1. Wake-up from Power-on Reset or Sleep.
2. Instructions begin execution by the internal oscillator at the frequency set in the IRCF<3:0> bits of the OSCCON register.
3. OST enabled to count 1024 clock cycles.
4. OST timed out, wait for falling edge of the internal oscillator.
5. OSTS is set.
6. System clock held low until the next falling edge of new clock (LP, XT or HS mode).
7. System clock is switched to external clock source.

5.4.3 CHECKING TWO-SPEED CLOCK STATUS

Checking the state of the OSTS bit of the OSCSTAT register will confirm if the microcontroller is running from the external clock source, as defined by the FOSC<2:0> bits in the Configuration Words, or the internal oscillator.

FIGURE 5-8: TWO-SPEED START-UP



PIC16(L)F1777/8/9

5.5 Fail-Safe Clock Monitor

The Fail-Safe Clock Monitor (FSCM) allows the device to continue operating should the external oscillator fail. The FSCM can detect oscillator failure any time after the Oscillator Start-up Timer (OST) has expired. The FSCM is enabled by setting the FCMEN bit in the Configuration Words. The FSCM is applicable to all external Oscillator modes (LP, XT, HS, EC, Secondary Oscillator and RC).

FIGURE 5-9: FSCM BLOCK DIAGRAM



5.5.1 FAIL-SAFE DETECTION

The FSCM module detects a failed oscillator by comparing the external oscillator to the FSCM sample clock. The sample clock is generated by dividing the LFINTOSC by 64. See [Figure 5-9](#). Inside the fail detector block is a latch. The external clock sets the latch on each falling edge of the external clock. The sample clock clears the latch on each rising edge of the sample clock. A failure is detected when an entire half-cycle of the sample clock elapses before the external clock goes low.

5.5.2 FAIL-SAFE OPERATION

When the external clock fails, the FSCM switches the device clock to an internal clock source and sets the bit flag OSFIF of the PIR2 register. Setting this flag will generate an interrupt if the OSFIE bit of the PIE2 register is also set. The device firmware can then take steps to mitigate the problems that may arise from a failed clock. The system clock will continue to be sourced from the internal clock source until the device firmware successfully restarts the external oscillator and switches back to external operation.

The internal clock source chosen by the FSCM is determined by the IRCF<3:0> bits of the OSCCON register. This allows the internal oscillator to be configured before a failure occurs.

5.5.3 FAIL-SAFE CONDITION CLEARING

The Fail-Safe condition is cleared after a Reset, executing a SLEEP instruction or changing the SCS bits of the OSCCON register. When the SCS bits are changed, the OST is restarted. While the OST is running, the device continues to operate from the INTOSC selected in OSCCON. When the OST times out, the Fail-Safe condition is cleared after successfully switching to the external clock source. The OSFIF bit should be cleared prior to switching to the external clock source. If the Fail-Safe condition still exists, the OSFIF flag will again become set by hardware.

5.5.4 RESET OR WAKE-UP FROM SLEEP

The FSCM is designed to detect an oscillator failure after the Oscillator Start-up Timer (OST) has expired. The OST is used after waking up from Sleep and after any type of Reset. The OST is not used with the EC or RC Clock modes so that the FSCM will be active as soon as the Reset or wake-up has completed. When the FSCM is enabled, the Two-Speed Start-up is also enabled. Therefore, the device will always be executing code while the OST is operating.

Note: Due to the wide range of oscillator start-up times, the Fail-Safe circuit is not active during oscillator start-up (i.e., after exiting Reset or Sleep). After an appropriate amount of time, the user should check the Status bits in the OSCSTAT register to verify the oscillator start-up and that the system clock switchover has successfully completed.

FIGURE 5-10: FSCM TIMING DIAGRAM



PIC16(L)F1777/8/9

5.6 Register Definitions: Oscillator Control

REGISTER 5-1: OSCCON: OSCILLATOR CONTROL REGISTER

R/W-0/0	R/W-0/0	R/W-1/1	R/W-1/1	R/W-1/1	U-0	R/W-0/0	R/W-0/0
SPLLEN	IRCF<3:0>			—	SCS<1:0>		
bit 7						bit 0	

Legend:

R = Readable bit	W = Writable bit	U = Unimplemented bit, read as '0'
u = Bit is unchanged	x = Bit is unknown	-n/n = Value at POR and BOR/Value at all other Resets
'1' = Bit is set	'0' = Bit is cleared	

- bit 7 **SPLLEN:** Software PLL Enable bit
If PLEN in Configuration Words = 1:
 SPLLEN bit is ignored. 4x PLL is always enabled (subject to oscillator requirements)
If PLEN in Configuration Words = 0:
 1 = 4x PLL is enabled
 0 = 4x PLL is disabled
- bit 6-3 **IRCF<3:0>:** Internal Oscillator Frequency Select bits
 1111 = 16 MHz HF
 1110 = 8 MHz or 32 MHz HF⁽²⁾
 1101 = 4 MHz HF
 1100 = 2 MHz HF
 1011 = 1 MHz HF
 1010 = 500 kHz HF⁽¹⁾
 1001 = 250 kHz HF⁽¹⁾
 1000 = 125 kHz HF⁽¹⁾
 0111 = 500 kHz MF (default upon Reset)
 0110 = 250 kHz MF
 0101 = 125 kHz MF
 0100 = 62.5 kHz MF
 0011 = 31.25 kHz HF⁽¹⁾
 0010 = 31.25 kHz MF
 000x = 31 kHz LF
- bit 2 **Unimplemented:** Read as '0'
- bit 1-0 **SCS<1:0>:** System Clock Select bits
 1x = Internal oscillator block
 01 = Secondary oscillator
 00 = Clock determined by FOSC<2:0> in Configuration Words

- Note 1:** Duplicate frequency derived from HFINTOSC.
Note 2: 32 MHz when SPLLEN bit is set. Refer to [Section 5.2.2.6 “32 MHz Internal Oscillator Frequency Selection”](#).

REGISTER 5-2: OSCSTAT: OSCILLATOR STATUS REGISTER

R-1/q	R-0/q	R-q/q	R-0/q	R-0/q	R-q/q	R-0/0	R-0/q
SOSCR	PLLRL	OSTS	HFIOFR	HFIOFL	MFIOFR	LFIOFR	HFIOFS
bit 7							bit 0

Legend:

R = Readable bit	W = Writable bit	U = Unimplemented bit, read as '0'
u = Bit is unchanged	x = Bit is unknown	-n/n = Value at POR and BOR/Value at all other Resets
'1' = Bit is set	'0' = Bit is cleared	q = Conditional

- bit 7 **SOSCR:** Secondary Oscillator Ready bit
If T1OSCEN = 1:
 1 = Secondary oscillator is ready
 0 = Secondary oscillator is not ready
If T1OSCEN = 0:
 1 = Secondary clock source is always ready
- bit 6 **PLLRL** 4x PLL Ready bit
 1 = 4x PLL is ready
 0 = 4x PLL is not ready
- bit 5 **OSTS:** Oscillator Start-up Timer Status bit
 1 = Running from the clock defined by the FOSC<2:0> bits of the Configuration Words
 0 = Running from an internal oscillator (FOSC<2:0> = 100)
- bit 4 **HFIOFR:** High-Frequency Internal Oscillator Ready bit
 1 = HFINTOSC is ready
 0 = HFINTOSC is not ready
- bit 3 **HFIOFL:** High-Frequency Internal Oscillator Locked bit
 1 = HFINTOSC is at least 2% accurate
 0 = HFINTOSC is not 2% accurate
- bit 2 **MFIOFR:** Medium-Frequency Internal Oscillator Ready bit
 1 = MFINTOSC is ready
 0 = MFINTOSC is not ready
- bit 1 **LFIOFR:** Low-Frequency Internal Oscillator Ready bit
 1 = LFINTOSC is ready
 0 = LFINTOSC is not ready
- bit 0 **HFIOFS:** High-Frequency Internal Oscillator Stable bit
 1 = HFINTOSC is at least 0.5% accurate
 0 = HFINTOSC is not 0.5% accurate

PIC16(L)F1777/8/9

REGISTER 5-3: OSCTUNE: OSCILLATOR TUNING REGISTER

U-0	U-0	R/W-0/0	R/W-0/0	R/W-0/0	R/W-0/0	R/W-0/0	R/W-0/0
—	—	TUN<5:0>					
bit 7							bit 0

Legend:

R = Readable bit W = Writable bit U = Unimplemented bit, read as '0'
u = Bit is unchanged x = Bit is unknown -n/n = Value at POR and BOR/Value at all other Resets
'1' = Bit is set '0' = Bit is cleared

bit 7-6 **Unimplemented:** Read as '0'
bit 5-0 **TUN<5:0>:** Frequency Tuning bits
100000 = Minimum frequency
.
.
.
111111 =
000000 = Oscillator module is running at the factory-calibrated frequency
000001 =
.
.
.
011110 =
011111 = Maximum frequency

TABLE 5-2: SUMMARY OF REGISTERS ASSOCIATED WITH CLOCK SOURCES

Name	Bit 7	Bit 6	Bit 5	Bit 4	Bit 3	Bit 2	Bit 1	Bit 0	Register on Page
OSCCON	SPLLEN	IRCF<3:0>				—	SCS<1:0>		116
OSCSTAT	SOSCR	PLLRL	OSTS	HFIOFR	HFIOFL	MFIOFR	LFIOFR	HFIOFS	117
OSCTUNE	—	—	TUN<5:0>						118
PIR2	OSFIF	C2IF	C1IF	COG1IF	BCL1IF	C4IF	C3IF	CCP2IF	140
PIE2	OSFIE	C2IE	C1IE	COG1IE	BCL1IE	C4IE	C3IE	CCP2IE	134
T1CON	CS<1:0>		CKPS<1:0>		OSCCN	SYNC	—	ON	283

Legend: — = unimplemented location, read as '0'. Shaded cells are not used by clock sources.

TABLE 5-3: SUMMARY OF CONFIGURATION WORD WITH CLOCK SOURCES

Name	Bits	Bit -7	Bit -6	Bit 13/5	Bit 12/4	Bit 11/3	Bit 10/2	Bit 9/1	Bit 8/0	Register on Page
CONFIG1	13:8	—	—	FCMEN	IESO	CLKOUTEN	BOREN<1:0>		—	95
	7:0	CP	MCLRRE	PWRTE	WDTE<1:0>		FOSC<2:0>			

Legend: — = unimplemented location, read as '0'. Shaded cells are not used by clock sources.

6.0 RESETS

A simplified block diagram of the On-Chip Reset Circuit is shown in [Figure 6-1](#).

There are multiple ways to reset this device:

- Power-on Reset (POR)
- Brown-out Reset (BOR)
- Low-Power Brown-out Reset (LPBOR)
- MCLR Reset
- WDT Reset
- RESET instruction
- Stack Overflow
- Stack Underflow
- Programming mode exit

To allow VDD to stabilize, an optional Power-up Timer can be enabled to extend the Reset time after a BOR or POR event.

FIGURE 6-1: SIMPLIFIED BLOCK DIAGRAM OF ON-CHIP RESET CIRCUIT



PIC16(L)F1777/8/9

6.1 Power-On Reset (POR)

The POR circuit holds the device in Reset until VDD has reached an acceptable level for minimum operation. Slow rising VDD, fast operating speeds or analog performance may require greater than minimum VDD. The PWRT, BOR or MCLR features can be used to extend the start-up period until all device operation conditions have been met.

6.1.1 POWER-UP TIMER (PWRT)

The Power-up Timer provides a nominal 64 ms time-out on POR or Brown-out Reset.

The device is held in Reset as long as PWRT is active. The PWRT delay allows additional time for the VDD to rise to an acceptable level. The Power-up Timer is enabled by clearing the PWRTE bit in Configuration Words.

The Power-up Timer starts after the release of the POR and BOR.

For additional information, refer to Application Note AN607, “Power-up Trouble Shooting” (DS00607).

6.2 Brown-Out Reset (BOR)

The BOR circuit holds the device in Reset when VDD reaches a selectable minimum level. Between the POR and BOR, complete voltage range coverage for execution protection can be implemented.

The Brown-out Reset module has four operating modes controlled by the BOREN<1:0> bits in Configuration Words. The four operating modes are:

- BOR is always on
- BOR is off when in Sleep
- BOR is controlled by software
- BOR is always off

Refer to [Table 6.2.1](#) for more information.

The Brown-out Reset voltage level is selectable by configuring the BORV bit in Configuration Words.

A VDD noise rejection filter prevents the BOR from triggering on small events. If VDD falls below VBOR for a duration greater than parameter TBORDC, the device will reset. See [Figure 6-2](#) for more information.

6.2.1 BOR IS ALWAYS ON

When the BOREN bits of Configuration Words are programmed to ‘11’, the BOR is always on. The device start-up will be delayed until the BOR is ready and VDD is higher than the BOR threshold.

BOR protection is active during Sleep. The BOR does not delay wake-up from Sleep.

6.2.2 BOR IS OFF IN SLEEP

When the BOREN bits of Configuration Words are programmed to ‘10’, the BOR is on, except in Sleep. The device start-up will be delayed until the BOR is ready and VDD is higher than the BOR threshold.

BOR protection is not active during Sleep. The device wake-up will be delayed until the BOR is ready.

6.2.3 BOR CONTROLLED BY SOFTWARE

When the BOREN bits of Configuration Words are programmed to ‘01’, the BOR is controlled by the SBOREN bit of the BORCON register. The device start-up is not delayed by the BOR ready condition or the VDD level.

BOR protection begins as soon as the BOR circuit is ready. The status of the BOR circuit is reflected in the BORRDY bit of the BORCON register.

BOR protection is unchanged by Sleep.

TABLE 6-1: BOR OPERATING MODES

BOREN<1:0>	SBOREN	Device Mode	BOR Mode	Instruction Execution upon: Release of POR or Wake-up from Sleep
11	X	X	Active	Waits for BOR ready ⁽¹⁾ (BORRDY = 1)
10	X	Awake	Active	Waits for BOR ready (BORRDY = 1)
		Sleep	Disabled	
01	1	X	Active	Waits for BOR ready ⁽¹⁾ (BORRDY = 1)
	0	X	Disabled	Begins immediately (BORRDY = x)
00	X	X	Disabled	

Note 1: In these specific cases, “Release of POR” and “Wake-up from Sleep”, there is no delay in start-up. The BOR ready flag, (BORRDY = 1), will be set before the CPU is ready to execute instructions because the BOR circuit is forced on by the BOREN<1:0> bits.

FIGURE 6-2: BROWN-OUT SITUATIONS



6.3 Register Definitions: BOR Control

REGISTER 6-1: BORCON: BROWN-OUT RESET CONTROL REGISTER

R/W-1/u	R/W-0/u	U-0	U-0	U-0	U-0	U-0	R-q/u
SBOREN	BORFS ⁽¹⁾	—	—	—	—	—	BORRDY
bit 7							bit 0

Legend:

R = Readable bit	W = Writable bit	U = Unimplemented bit, read as '0'
u = Bit is unchanged	x = Bit is unknown	-n/n = Value at POR and BOR/Value at all other Resets
'1' = Bit is set	'0' = Bit is cleared	q = Value depends on condition

bit 7 **SBOREN:** Software Brown-out Reset Enable bit

If BOREN <1:0> in Configuration Words ≠ 01:

SBOREN is read/write, but has no effect on the BOR.

If BOREN <1:0> in Configuration Words = 01:

1 = BOR Enabled

0 = BOR Disabled

bit 6 **BORFS:** Brown-out Reset Fast Start bit⁽¹⁾

If BOREN<1:0> = 11 (Always on) or BOREN<1:0> = 00 (Always off)

BORFS is Read/Write, but has no effect.

If BOREN <1:0> = 10 (Disabled in Sleep) or BOREN<1:0> = 01 (Under software control):

1 = Band gap is forced on always (covers sleep/wake-up/operating cases)

0 = Band gap operates normally, and may turn off

bit 5-1 **Unimplemented:** Read as '0'

bit 0 **BORRDY:** Brown-out Reset Circuit Ready Status bit

1 = The Brown-out Reset circuit is active

0 = The Brown-out Reset circuit is inactive

Note 1: BOREN<1:0> bits are located in Configuration Words.

PIC16(L)F1777/8/9

6.4 Low-Power Brown-Out Reset (LPBOR)

The Low-Power Brown-out Reset (LPBOR) is an essential part of the Reset subsystem. Refer to [Figure 6-1](#) to see how the BOR interacts with other modules.

The LPBOR is used to monitor the external VDD pin. When too low of a voltage is detected, the device is held in Reset. When this occurs, a register bit ($\overline{\text{BOR}}$) is changed to indicate that a BOR Reset has occurred. The same bit is set for both the BOR and the LPBOR. Refer to [Register 6-2](#).

6.4.1 ENABLING LPBOR

The LPBOR is controlled by the $\overline{\text{LPBOR}}$ bit of Configuration Words. When the device is erased, the LPBOR module defaults to disabled.

6.4.1.1 LPBOR Module Output

The output of the LPBOR module is a signal indicating whether or not a Reset is to be asserted. This signal is OR'd together with the Reset signal of the BOR module to provide the generic $\overline{\text{BOR}}$ signal, which goes to the PCON register and to the power control block.

6.5 $\overline{\text{MCLR}}$

The $\overline{\text{MCLR}}$ is an optional external input that can reset the device. The MCLR function is controlled by the MCLRE bit of Configuration Words and the LVP bit of Configuration Words ([Table 6-2](#)).

TABLE 6-2: $\overline{\text{MCLR}}$ CONFIGURATION

MCLRE	LVP	$\overline{\text{MCLR}}$
x	1	Enabled
1	0	Enabled
0	0	Disabled

6.5.1 $\overline{\text{MCLR}}$ ENABLED

When $\overline{\text{MCLR}}$ is enabled and the pin is held low, the device is held in Reset. The $\overline{\text{MCLR}}$ pin is connected to VDD through an internal weak pull-up.

The device has a noise filter in the $\overline{\text{MCLR}}$ Reset path. The filter will detect and ignore small pulses.

Note: A Reset does not drive the $\overline{\text{MCLR}}$ pin low.

6.5.2 $\overline{\text{MCLR}}$ DISABLED

When $\overline{\text{MCLR}}$ is disabled, the pin functions as a general purpose input and the internal weak pull-up is under software control. See [Section 11.1 “PORTA Registers”](#) for more information.

6.6 Watchdog Timer (WDT) Reset

The Watchdog Timer generates a Reset if the firmware does not issue a $\overline{\text{CLRWDT}}$ instruction within the time-out period. The $\overline{\text{TO}}$ and $\overline{\text{PD}}$ bits in the STATUS register are changed to indicate the WDT Reset. See [Section 9.0 “Watchdog Timer \(WDT\)”](#) for more information.

6.7 RESET Instruction

A $\overline{\text{RESET}}$ instruction will cause a device Reset. The $\overline{\text{R}}$ bit in the PCON register will be set to '0'. See [Table 6-4](#) for default conditions after a $\overline{\text{RESET}}$ instruction has occurred.

6.8 Stack Overflow/Underflow Reset

The device can reset when the Stack Overflows or Underflows. The STKOVF or STKUNF bits of the PCON register indicate the Reset condition. These Resets are enabled by setting the STVREN bit in Configuration Words. See [Section 3.6.2 “Overflow/Underflow Reset”](#) for more information.

6.9 Programming Mode Exit

Upon exit of Programming mode, the device will behave as if a POR had just occurred.

6.10 Power-Up Timer

The Power-up Timer optionally delays device execution after a BOR or POR event. This timer is typically used to allow VDD to stabilize before allowing the device to start running.

The Power-up Timer is controlled by the $\overline{\text{PWRT}}E$ bit of Configuration Words.

6.11 Start-up Sequence

Upon the release of a POR or BOR, the following must occur before the device will begin executing:

1. Power-up Timer runs to completion (if enabled).
2. Oscillator start-up timer runs to completion (if required for oscillator source).
3. $\overline{\text{MCLR}}$ must be released (if enabled).

The total time-out will vary based on oscillator configuration and Power-up Timer configuration. See [Section 5.0 “Oscillator Module \(with Fail-Safe Clock Monitor\)”](#) for more information.

The Power-up Timer and oscillator start-up timer run independently of $\overline{\text{MCLR}}$ Reset. If $\overline{\text{MCLR}}$ is kept low long enough, the Power-up Timer and oscillator start-up timer will expire. Upon bringing $\overline{\text{MCLR}}$ high, the device will begin execution after 10 FOSC cycles (see [Figure 6-3](#)). This is useful for testing purposes or to synchronize more than one device operating in parallel.

FIGURE 6-3: RESET START-UP SEQUENCE



PIC16(L)F1777/8/9

6.12 Determining the Cause of a Reset

Upon any Reset, multiple bits in the STATUS and PCON registers are updated to indicate the cause of the Reset. Table 6-3 and Table 6-4 show the Reset conditions of these registers.

TABLE 6-3: RESET STATUS BITS AND THEIR SIGNIFICANCE

STKOVF	STKUNF	RWD \overline{T}	RMCLR	RI	POR	BOR	TO	PD	Condition
0	0	1	1	1	0	x	1	1	Power-on Reset
0	0	1	1	1	0	x	0	x	Illegal, \overline{TO} is set on \overline{POR}
0	0	1	1	1	0	x	x	0	Illegal, \overline{PD} is set on \overline{POR}
0	0	u	1	1	u	0	1	1	Brown-out Reset
u	u	0	u	u	u	u	0	u	WDT Reset
u	u	u	u	u	u	u	0	0	WDT Wake-up from Sleep
u	u	u	u	u	u	u	1	0	Interrupt Wake-up from Sleep
u	u	u	0	u	u	u	u	u	\overline{MCLR} Reset during normal operation
u	u	u	0	u	u	u	1	0	\overline{MCLR} Reset during Sleep
u	u	u	u	0	u	u	u	u	RESET Instruction Executed
1	u	u	u	u	u	u	u	u	Stack Overflow Reset (STVREN = 1)
u	1	u	u	u	u	u	u	u	Stack Underflow Reset (STVREN = 1)

TABLE 6-4: RESET CONDITION FOR SPECIAL REGISTERS

Condition	Program Counter	STATUS Register	PCON Register
Power-on Reset	0000h	---1 1000	00-- 110x
\overline{MCLR} Reset during normal operation	0000h	---u uuuu	uu-- 0uuu
\overline{MCLR} Reset during Sleep	0000h	---1 0uuu	uu-- 0uuu
WDT Reset	0000h	---0 uuuu	uu-- uuuu
WDT Wake-up from Sleep	PC + 1	---0 0uuu	uu-- uuuu
Brown-out Reset	0000h	---1 1uuu	00-- 11u0
Interrupt Wake-up from Sleep	PC + 1 ⁽¹⁾	---1 0uuu	uu-- uuuu
RESET Instruction Executed	0000h	---u uuuu	uu-- u0uu
Stack Overflow Reset (STVREN = 1)	0000h	---u uuuu	1u-- uuuu
Stack Underflow Reset (STVREN = 1)	0000h	---u uuuu	u1-- uuuu

Legend: u = unchanged, x = unknown, - = unimplemented bit, reads as '0'.

Note 1: When the wake-up is due to an interrupt and Global Enable bit (GIE) is set, the return address is pushed on the stack and PC is loaded with the interrupt vector (0004h) after execution of PC + 1.

6.13 Power Control (PCON) Register

The PCON register bits are shown in [Register 6-2](#).

The Power Control (PCON) register contains flag bits to differentiate between a:

- Power-on Reset ($\overline{\text{POR}}$)
- Brown-out Reset ($\overline{\text{BOR}}$)
- Reset Instruction Reset ($\overline{\text{RI}}$)
- MCLR Reset ($\overline{\text{RMCLR}}$)
- Watchdog Timer Reset ($\overline{\text{RWDT}}$)
- Stack Underflow Reset (STKUNF)
- Stack Overflow Reset (STKOVF)

6.14 Register Definitions: Power Control

REGISTER 6-2: PCON: POWER CONTROL REGISTER

R/W/HS-0/q	R/W/HS-0/q	U-0	R/W/HC-1/q	R/W/HC-1/q	R/W/HC-1/q	R/W/HC-q/u	R/W/HC-q/u
STKOVF	STKUNF	—	$\overline{\text{RWDT}}$	$\overline{\text{RMCLR}}$	$\overline{\text{RI}}$	$\overline{\text{POR}}$	$\overline{\text{BOR}}$
bit 7						bit 0	

Legend:

HC = Bit is cleared by hardware

HS = Bit is set by hardware

R = Readable bit

W = Writable bit

U = Unimplemented bit, read as '0'

u = Bit is unchanged

x = Bit is unknown

-m/n = Value at POR and BOR/Value at all other Resets

'1' = Bit is set

'0' = Bit is cleared

q = Value depends on condition

bit 7 **STKOVF:** Stack Overflow Flag bit

1 = A Stack Overflow occurred

0 = A Stack Overflow has not occurred or cleared by firmware

bit 6 **STKUNF:** Stack Underflow Flag bit

1 = A Stack Underflow occurred

0 = A Stack Underflow has not occurred or cleared by firmware

bit 5 **Unimplemented:** Read as '0'

bit 4 **$\overline{\text{RWDT}}$:** Watchdog Timer Reset Flag bit

1 = A Watchdog Timer Reset has not occurred or set to '1' by firmware

0 = A Watchdog Timer Reset has occurred (cleared by hardware)

bit 3 **$\overline{\text{RMCLR}}$:** MCLR Reset Flag bit

1 = A $\overline{\text{MCLR}}$ Reset has not occurred or set to '1' by firmware

0 = A MCLR Reset has occurred (cleared by hardware)

bit 2 **$\overline{\text{RI}}$:** RESET Instruction Flag bit

1 = A RESET instruction has not been executed or set to '1' by firmware

0 = A RESET instruction has been executed (cleared by hardware)

bit 1 **$\overline{\text{POR}}$:** Power-on Reset Status bit

1 = No Power-on Reset occurred

0 = A Power-on Reset occurred (must be set in software after a Power-on Reset occurs)

bit 0 **$\overline{\text{BOR}}$:** Brown-out Reset Status bit

1 = No Brown-out Reset occurred

0 = A Brown-out Reset occurred (must be set in software after a Power-on Reset or Brown-out Reset occurs)

PIC16(L)F1777/8/9

TABLE 6-5: SUMMARY OF REGISTERS ASSOCIATED WITH RESETS

Name	Bit 7	Bit 6	Bit 5	Bit 4	Bit 3	Bit 2	Bit 1	Bit 0	Register on Page
BORCON	SBOREN	BORFS	—	—	—	—	—	BORRDY	121
PCON	STKOVF	STKUNF	—	$\overline{RWD\overline{T}}$	$\overline{RMCL\overline{R}}$	\overline{RI}	\overline{POR}	\overline{BOR}	125
STATUS	—	—	—	\overline{TO}	\overline{PD}	Z	DC	C	40
WDTCON	—	—	WDTPS<4:0>					SWDTEN	154

Legend: — = unimplemented location, read as '0'. Shaded cells are not used by Resets.

7.0 INTERRUPTS

The interrupt feature allows certain events to preempt normal program flow. Firmware is used to determine the source of the interrupt and act accordingly. Some interrupts can be configured to wake the MCU from Sleep mode.

This chapter contains the following information for Interrupts:

- Operation
- Interrupt Latency
- Interrupts During Sleep
- INT Pin
- Automatic Context Saving

Many peripherals produce interrupts. Refer to the corresponding chapters for details.

A block diagram of the interrupt logic is shown in [Figure 7-1](#).

FIGURE 7-1: INTERRUPT LOGIC



PIC16(L)F1777/8/9

7.1 Operation

Interrupts are disabled upon any device Reset. They are enabled by setting the following bits:

- GIE bit of the INTCON register
- Interrupt Enable bit(s) for the specific interrupt event(s)
- PEIE bit of the INTCON register (if the Interrupt Enable bit of the interrupt event is contained in the PIE1 or PIE2 registers)

The INTCON, PIR1 and PIR2 registers record individual interrupts via interrupt flag bits. Interrupt flag bits will be set, regardless of the status of the GIE, PEIE and individual interrupt enable bits.

The following events happen when an interrupt event occurs while the GIE bit is set:

- Current prefetched instruction is flushed
- GIE bit is cleared
- Current Program Counter (PC) is pushed onto the stack
- Critical registers are automatically saved to the shadow registers (See “[Section 7.5 “Automatic Context Saving”](#)”)
- PC is loaded with the interrupt vector 0004h

The firmware within the Interrupt Service Routine (ISR) should determine the source of the interrupt by polling the interrupt flag bits. The interrupt flag bits must be cleared before exiting the ISR to avoid repeated interrupts. Because the GIE bit is cleared, any interrupt that occurs while executing the ISR will be recorded through its interrupt flag, but will not cause the processor to redirect to the interrupt vector.

The `RETFIE` instruction exits the ISR by popping the previous address from the stack, restoring the saved context from the shadow registers and setting the GIE bit.

For additional information on a specific interrupt's operation, refer to its peripheral chapter.

Note 1: Individual interrupt flag bits are set, regardless of the state of any other enable bits.

2: All interrupts will be ignored while the GIE bit is cleared. Any interrupt occurring while the GIE bit is clear will be serviced when the GIE bit is set again.

7.2 Interrupt Latency

Interrupt latency is defined as the time from when the interrupt event occurs to the time code execution at the interrupt vector begins. The latency for synchronous interrupts is three or four instruction cycles. For asynchronous interrupts, the latency is three to five instruction cycles, depending on when the interrupt occurs. See [Figure 7-2](#) and [Figure 7-3](#) for more details.

FIGURE 7-2: INTERRUPT LATENCY



PIC16(L)F1777/8/9

FIGURE 7-3: INT PIN INTERRUPT TIMING



7.3 Interrupts During Sleep

Some interrupts can be used to wake from Sleep. To wake from Sleep, the peripheral must be able to operate without the system clock. The interrupt source must have the appropriate Interrupt Enable bit(s) set prior to entering Sleep.

On waking from Sleep, if the GIE bit is also set, the processor will branch to the interrupt vector. Otherwise, the processor will continue executing instructions after the `SLEEP` instruction. The instruction directly after the `SLEEP` instruction will always be executed before branching to the ISR. Refer to **Section 8.0 “Power-Down Mode (Sleep)”** for more details.

7.4 INT Pin

The INT pin can be used to generate an asynchronous edge-triggered interrupt. This interrupt is enabled by setting the INTE bit of the INTCON register. The INTEDG bit of the OPTION_REG register determines on which edge the interrupt will occur. When the INTEDG bit is set, the rising edge will cause the interrupt. When the INTEDG bit is clear, the falling edge will cause the interrupt. The INTF bit of the INTCON register will be set when a valid edge appears on the INT pin. If the GIE and INTE bits are also set, the processor will redirect program execution to the interrupt vector.

7.5 Automatic Context Saving

Upon entering an interrupt, the return PC address is saved on the stack. Additionally, the following registers are automatically saved in the shadow registers:

- W register
- STATUS register (except for \overline{TO} and \overline{PD})
- BSR register
- FSR registers
- PCLATH register

Upon exiting the Interrupt Service Routine, these registers are automatically restored. Any modifications to these registers during the ISR will be lost. If modifications to any of these registers are desired, the corresponding shadow register should be modified and the value will be restored when exiting the ISR. The shadow registers are available in Bank 31 and are readable and writable. Depending on the user's application, other registers may also need to be saved.

PIC16(L)F1777/8/9

7.6 Register Definitions: Interrupt Control

REGISTER 7-1: INTCON: INTERRUPT CONTROL REGISTER

R/W-0/0	R/W-0/0	R/W-0/0	R/W-0/0	R/W-0/0	R/W-0/0	R/W-0/0	R-0/0
GIE	PEIE	TMR0IE	INTE	IOCIE	TMR0IF	INTF	IOCIF ⁽¹⁾
bit 7							bit 0

Legend:

R = Readable bit

W = Writable bit

U = Unimplemented bit, read as '0'

u = Bit is unchanged

x = Bit is unknown

-n/n = Value at POR and BOR/Value at all other Resets

'1' = Bit is set

'0' = Bit is cleared

- bit 7 **GIE:** Global Interrupt Enable bit
1 = Enables all active interrupts
0 = Disables all interrupts
- bit 6 **PEIE:** Peripheral Interrupt Enable bit
1 = Enables all active peripheral interrupts
0 = Disables all peripheral interrupts
- bit 5 **TMROIE:** Timer0 Overflow Interrupt Enable bit
1 = Enables the Timer0 interrupt
0 = Disables the Timer0 interrupt
- bit 4 **INTE:** INT External Interrupt Enable bit
1 = Enables the INT external interrupt
0 = Disables the INT external interrupt
- bit 3 **IOCIE:** Interrupt-on-Change Enable bit
1 = Enables the interrupt-on-change
0 = Disables the interrupt-on-change
- bit 2 **TMR0IF:** Timer0 Overflow Interrupt Flag bit
1 = TMR0 register has overflowed
0 = TMR0 register did not overflow
- bit 1 **INTF:** INT External Interrupt Flag bit
1 = The INT external interrupt occurred
0 = The INT external interrupt did not occur
- bit 0 **IOCIF:** Interrupt-on-Change Interrupt Flag bit⁽¹⁾
1 = When at least one of the interrupt-on-change pins changed state
0 = None of the interrupt-on-change pins have changed state

Note 1: The IOCIF Flag bit is read-only and cleared when all the interrupt-on-change flags in the IOCxF registers have been cleared by software.

Note: Interrupt flag bits are set when an interrupt condition occurs, regardless of the state of its corresponding enable bit or the Global Enable bit, GIE, of the INTCON register. User software should ensure the appropriate interrupt flag bits are clear prior to enabling an interrupt.

REGISTER 7-2: PIE1: PERIPHERAL INTERRUPT ENABLE REGISTER 1

R/W-0/0	R/W-0/0	R/W-0/0	R/W-0/0	R/W-0/0	R/W-0/0	R/W-0/0	R/W-0/0
TMR1GIE	ADIE	RCIE	TXIE	SSP1IE	CCP1IE	TMR2IE	TMR1IE
bit 7							bit 0

Legend:

R = Readable bit

W = Writable bit

U = Unimplemented bit, read as '0'

u = Bit is unchanged

x = Bit is unknown

-n/n = Value at POR and BOR/Value at all other Resets

'1' = Bit is set

'0' = Bit is cleared

- bit 7 **TMR1GIE:** Timer1 Gate Interrupt Enable bit
 1 = Enables the Timer1 gate acquisition interrupt
 0 = Disables the Timer1 gate acquisition interrupt
- bit 6 **ADIE:** Analog-to-Digital Converter (ADC) Interrupt Enable bit
 1 = Enables the ADC interrupt
 0 = Disables the ADC interrupt
- bit 5 **RCIE:** EUSART Receive Interrupt Enable bit
 1 = Enables the EUSART receive interrupt
 0 = Disables the EUSART receive interrupt
- bit 4 **TXIE:** EUSART Transmit Interrupt Enable bit
 1 = Enables the EUSART transmit interrupt
 0 = Disables the EUSART transmit interrupt
- bit 3 **SSP1IE:** Synchronous Serial Port (MSSP) Interrupt Enable bit
 1 = Enables the MSSP interrupt
 0 = Disables the MSSP interrupt
- bit 2 **CCP1IE:** CCP1 Interrupt Enable bit
 1 = Enables the CCP1 interrupt
 0 = Disables the CCP1 interrupt
- bit 1 **TMR2IE:** TMR2 to T2PR Match Interrupt Enable bit
 1 = Enables the Timer2 to T2PR match interrupt
 0 = Disables the Timer2 to T2PR match interrupt
- bit 0 **TMR1IE:** Timer1 Overflow Interrupt Enable bit
 1 = Enables the Timer1 overflow interrupt
 0 = Disables the Timer1 overflow interrupt

Note: Bit PEIE of the INTCON register must be set to enable any peripheral interrupt.

PIC16(L)F1777/8/9

REGISTER 7-3: PIE2: PERIPHERAL INTERRUPT ENABLE REGISTER 2

R/W-0/0	R/W-0/0	R/W-0/0	U-0	R/W-0/0	R/W-0/0	R/W-0/0	R/W-0/0
OSFIE	C2IE	C1IE	COG1IE	BCL1IE	C4IE	C3IE	CCP2IE
bit 7							bit 0

Legend:

R = Readable bit

W = Writable bit

U = Unimplemented bit, read as '0'

u = Bit is unchanged

x = Bit is unknown

-n/n = Value at POR and BOR/Value at all other Resets

'1' = Bit is set

'0' = Bit is cleared

- bit 7 **OSFIE:** Oscillator Fail Interrupt Enable bit
1 = Enables the Oscillator Fail interrupt
0 = Disables the Oscillator Fail interrupt
- bit 6 **C2IE:** Comparator C2 Interrupt Enable bit
1 = Enables the Comparator C2 interrupt
0 = Disables the Comparator C2 interrupt
- bit 5 **C1IE:** Comparator C1 Interrupt Enable bit
1 = Enables the Comparator C1 interrupt
0 = Disables the Comparator C1 interrupt
- bit 4 **COG1IE:** COG1 Auto-Shutdown Interrupt Enable bit
1 = COG1 interrupt enabled
0 = COG1 interrupt disabled
- bit 3 **BCL1IE:** MSSP Bus Collision Interrupt Enable bit
1 = Enables the MSSP Bus Collision interrupt
0 = Disables the MSSP Bus Collision interrupt
- bit 2 **C4IE:** TMR6 to T6PR Match Interrupt Enable bit
1 = Enables the Comparator C4 interrupt
0 = Disables the Comparator C4 interrupt
- bit 1 **C3IE:** TMR4 to T4PR Match Interrupt Enable bit
1 = Enables the Comparator C3 interrupt
0 = Disables the Comparator C3 interrupt
- bit 0 **CCP2IE:** CCP2 Interrupt Enable bit
1 = Enables the CCP2 interrupt
0 = Disables the CCP2 interrupt

Note: Bit PEIE of the INTCON register must be set to enable any peripheral interrupt.

REGISTER 7-4: PIE3: PERIPHERAL INTERRUPT ENABLE REGISTER 3

R/W-0/0	R/W-0/0	R/W-0/0	R/W-0/0	R/W-0/0	R/W-0/0	R/W-0/0	R/W-0/0
—	—	COG2IE	ZCDIE	CLC4IE	CLC3IE	CLC2IE	CLC1IE
bit 7							bit 0

Legend:

R = Readable bit

W = Writable bit

U = Unimplemented bit, read as '0'

u = Bit is unchanged

x = Bit is unknown

-n/n = Value at POR and BOR/Value at all other Resets

'1' = Bit is set

'0' = Bit is cleared

- bit 7-6 **Unimplemented:** Read as '0'
- bit 5 **COG2IE:** COG2 Auto-Shutdown Interrupt Enable bit
 - 1 = COG2 interrupt enabled
 - 0 = COG2 interrupt disabled
- bit 4 **ZCDIE:** Zero-Cross Detection Interrupt Enable bit
 - 1 = ZCD interrupt enabled
 - 0 = ZCD interrupt disabled
- bit 3 **CLC4IE:** CLC4 Interrupt Enable bit
 - 1 = CLC4 interrupt enabled
 - 0 = CLC4 interrupt disabled
- bit 2 **CLC3IE:** CLC3 Interrupt Enable bit
 - 1 = CLC3 interrupt enabled
 - 0 = CLC3 interrupt disabled
- bit 1 **CLC2IE:** CLC2 Interrupt Enable bit
 - 1 = CLC2 interrupt enabled
 - 0 = CLC2 interrupt disabled
- bit 0 **CLC1IE:** CLC1 Interrupt Enable bit
 - 1 = CLC1 interrupt enabled
 - 0 = CLC1 interrupt disabled

Note: Bit PEIE of the INTCON register must be set to enable any peripheral interrupt.

PIC16(L)F1777/8/9

REGISTER 7-5: PIE4: PERIPHERAL INTERRUPT ENABLE REGISTER 4

R/W-0/0	R/W-0/0	R/W-0/0	R/W-0/0	R/W-0/0	R/W-0/0	R/W-0/0	R/W-0/0
—	TMR8IE	TMR5GIE	TMR5IE	TMR3GIE	TMR3IE	TMR6IE	TMR4IE
bit 7							bit 0

Legend:

R = Readable bit	W = Writable bit	U = Unimplemented bit, read as '0'
u = Bit is unchanged	x = Bit is unknown	-n/n = Value at POR and BOR/Value at all other Resets
'1' = Bit is set	'0' = Bit is cleared	

- bit 7 **Unimplemented:** Read as '0'
- bit 6 **TMR8IE:** TMR8 to T8PR Match Interrupt Enable bit
 1 = Enables the Timer8 to T8PR match interrupt
 0 = Disables the Timer8 to T8PR match interrupt
- bit 5 **TMR5GIE:** Timer5 Gate Interrupt Enable bit
 1 = Enables the Timer5 gate acquisition interrupt
 0 = Disables the Timer5 gate acquisition interrupt
- bit 4 **TMR5IE:** TMR5 to Overflow Interrupt Enable bit
 1 = Enables the Timer5 to T5PR match interrupt
 0 = Disables the Timer5 to T5PR match interrupt
- bit 3 **TMR3GIE:** Timer3 Gate Interrupt Enable bit
 1 = Enables the Timer3 gate acquisition interrupt
 0 = Disables the Timer3 gate acquisition interrupt
- bit 2 **TMR3IE:** TMR3 to Overflow Interrupt Enable bit
 1 = Enables the Timer3 to T3PR match interrupt
 0 = Disables the Timer3 to T3PR match interrupt
- bit 1 **TMR6IE:** TMR6 to T6PR Match Interrupt Enable bit
 1 = Enables the Timer6 to T6PR match interrupt
 0 = Disables the Timer6 to T6PR match interrupt
- bit 0 **TMR4IE:** TMR4 to T4PR Match Interrupt Enable bit
 1 = Enables the Timer4 to T4PR match interrupt
 0 = Disables the Timer4 to T4PR match interrupt

REGISTER 7-6: PIE5: PERIPHERAL INTERRUPT ENABLE REGISTER 5

R/W-0/0	R/W-0/0	R/W-0/0	R/W-0/0	R/W-0/0	R/W-0/0	R/W-0/0	R/W-0/0
CCP8IE ⁽¹⁾	CCP7IE	COG4IE	COG3IE	C8IE ⁽¹⁾	C7IE ⁽¹⁾	C6IE	C5IE
bit 7							bit 0

Legend:

R = Readable bit	W = Writable bit	U = Unimplemented bit, read as '0'
u = Bit is unchanged	x = Bit is unknown	-n/n = Value at POR and BOR/Value at all other Resets
'1' = Bit is set	'0' = Bit is cleared	

bit 7	CCP8IE: CCP8 Interrupt Enable bit ⁽¹⁾ 1 = Enables the CCP8 interrupt 0 = Disables the CCP8 interrupt
bit 6	CCP7IE: CCP7 Interrupt Enable bit 1 = Enables the CCP7 interrupt 0 = Disables the CCP7 interrupt
bit 5	COG4IE: COG4 Auto-Shutdown Interrupt Enable bit 1 = COG4 interrupt enabled 0 = COG4 interrupt disabled
bit 4	COG3IE: COG3 Auto-Shutdown Interrupt Enable bit 1 = COG3 interrupt enabled 0 = COG3 interrupt disabled
bit 3	C8IE: Comparator C8 Interrupt Enable bit ⁽¹⁾ 1 = Enables the Comparator C8 interrupt 0 = Disables the Comparator C8 interrupt
bit 2	C7IE: Comparator C7 Interrupt Enable bit ⁽¹⁾ 1 = Enables the Comparator C7 interrupt 0 = Disables the Comparator C7 interrupt
bit 1	C6IE: Comparator C6 Interrupt Enable bit 1 = Enables the Comparator C6 interrupt 0 = Disables the Comparator C6 interrupt
bit 0	C5IE: Comparator C5 Interrupt Enable bit 1 = Enables the Comparator C5 interrupt 0 = Disables the Comparator C5 interrupt

Note 1: PIC16(L)F1777/9 only.

PIC16(L)F1777/8/9

REGISTER 7-7: PIE6: PERIPHERAL INTERRUPT ENABLE REGISTER 6

R/W-0/0	R/W-0/0	R/W-0/0	R/W-0/0	R/W-0/0	R/W-0/0	R/W-0/0	R/W-0/0
—	—	—	—	PWM12IE ⁽¹⁾	PWM11IE	PWM6IE	PWM5IE
bit 7							bit 0

Legend:

R = Readable bit

W = Writable bit

U = Unimplemented bit, read as '0'

u = Bit is unchanged

x = Bit is unknown

-n/n = Value at POR and BOR/Value at all other Resets

'1' = Bit is set

'0' = Bit is cleared

bit 7-4 **Unimplemented:** Read as '0'

bit 3 **PWM12IE:** PWM12 Interrupt Enable bit⁽¹⁾

1 = PWM12 interrupt enabled

0 = PWM12 interrupt disabled

bit 2 **PWM11IE:** PWM11 Interrupt Enable bit

1 = PWM11 interrupt enabled

0 = PWM11 interrupt disabled

bit 1 **PWM6IE:** PWM6 Interrupt Enable bit

1 = PWM6 interrupt enabled

0 = PWM6 interrupt disabled

bit 0 **PWM5IE:** PWM5 Interrupt Enable bit

1 = PWM5 interrupt enabled

0 = PWM5 interrupt disabled

Note 1: PIC16(L)F1777/9 only.

REGISTER 7-8: PIR1: PERIPHERAL INTERRUPT REQUEST REGISTER 1

R/W-0/0	R/W-0/0	R-0/0	R-0/0	R/W-0/0	R/W-0/0	R/W-0/0	R/W-0/0
TMR1GIF	ADIF	RCIF	TXIF	SSP1IF	CCP1IF	TMR2IF	TMR1IF
bit 7							bit 0

Legend:

R = Readable bit	W = Writable bit	U = Unimplemented bit, read as '0'
u = Bit is unchanged	x = Bit is unknown	-n/n = Value at POR and BOR/Value at all other Resets
'1' = Bit is set	'0' = Bit is cleared	

bit 7	TMR1GIF: Timer1 Gate Interrupt Flag bit 1 = Interrupt is pending 0 = Interrupt is not pending
bit 6	ADIF: Analog-to-Digital Converter (ADC) Interrupt Flag bit 1 = Interrupt is pending 0 = Interrupt is not pending
bit 5	RCIF: EUSART Receive Interrupt Flag bit 1 = Interrupt is pending 0 = Interrupt is not pending
bit 4	TXIF: EUSART Transmit Interrupt Flag bit 1 = Interrupt is pending 0 = Interrupt is not pending
bit 3	SSP1IF: Synchronous Serial Port (MSSP) Interrupt Flag bit 1 = Interrupt is pending 0 = Interrupt is not pending
bit 2	CCP1IF: CCP1 Interrupt Flag bit 1 = Interrupt is pending 0 = Interrupt is not pending
bit 1	TMR2IF: Timer2 to T2PR Interrupt Flag bit 1 = Interrupt is pending 0 = Interrupt is not pending
bit 0	TMR1IF: Timer1 Overflow Interrupt Flag bit 1 = Interrupt is pending 0 = Interrupt is not pending

Note: Interrupt flag bits are set when an interrupt condition occurs, regardless of the state of its corresponding enable bit or the Global Enable bit, GIE, of the INTCON register. User software should ensure the appropriate interrupt flag bits are clear prior to enabling an interrupt.

PIC16(L)F1777/8/9

REGISTER 7-9: PIR2: PERIPHERAL INTERRUPT REQUEST REGISTER 2

R/W-0/0	R/W-0/0	R/W-0/0	U-0	R/W-0/0	R/W-0/0	R/W-0/0	R/W-0/0
OSFIF	C2IF	C1IF	COG1IF	BCL1IF	C4IF	C3IF	CCP2IF
bit 7							bit 0

Legend:

R = Readable bit

W = Writable bit

U = Unimplemented bit, read as '0'

u = Bit is unchanged

x = Bit is unknown

-n/n = Value at POR and BOR/Value at all other Resets

'1' = Bit is set

'0' = Bit is cleared

- bit 7 **OSFIF:** Oscillator Fail Interrupt Flag bit
 1 = Interrupt is pending
 0 = Interrupt is not pending
- bit 6 **C2IF:** Comparator C2 Interrupt Flag bit
 1 = Interrupt is pending
 0 = Interrupt is not pending
- bit 5 **C1IF:** Comparator C1 Interrupt Flag bit
 1 = Interrupt is pending
 0 = Interrupt is not pending
- bit 4 **COG1IF:** COG1 Auto-Shutdown Interrupt Flag bit
 1 = Interrupt is pending
 0 = Interrupt is not pending
- bit 3 **BCL1IF:** MSSP Bus Collision Interrupt Flag bit
 1 = Interrupt is pending
 0 = Interrupt is not pending
- bit 2 **C4IF:** Comparator C4 Interrupt Flag bit
 1 = Interrupt is pending
 0 = Interrupt is not pending
- bit 1 **C3IF:** Comparator C3 Interrupt Flag bit
 1 = Interrupt is pending
 0 = Interrupt is not pending
- bit 0 **CCP2IF:** CCP2 Interrupt Flag bit
 1 = Interrupt is pending
 0 = Interrupt is not pending

Note: Interrupt flag bits are set when an interrupt condition occurs, regardless of the state of its corresponding enable bit or the Global Enable bit, GIE, of the INTCON register. User software should ensure the appropriate interrupt flag bits are clear prior to enabling an interrupt.

REGISTER 7-10: PIR3: PERIPHERAL INTERRUPT REQUEST REGISTER 3

R/W-0/0	R/W-0/0	R/W-0/0	R/W-0/0	R/W-0/0	R/W-0/0	R/W-0/0	R/W-0/0
—	—	COG2IF	ZCDIF	CLC4IF	CLC3IF	CLC2IF	CLC1IF
bit 7							bit 0

Legend:

R = Readable bit	W = Writable bit	U = Unimplemented bit, read as '0'
u = Bit is unchanged	x = Bit is unknown	-n/n = Value at POR and BOR/Value at all other Resets
'1' = Bit is set	'0' = Bit is cleared	

bit 7-6	Unimplemented: Read as '0'
bit 5	COG2IF: COG2 Auto-Shutdown Interrupt Flag bit 1 = Interrupt is pending 0 = Interrupt is not pending
bit 4	ZCDIF: Zero-Cross Detection Interrupt Flag bit 1 = Interrupt is pending 0 = Interrupt is not pending
bit 3	CLC4IF: CLC4 Interrupt Flag bit 1 = Interrupt is pending 0 = Interrupt is not pending
bit 2	CLC3IF: CLC3 Interrupt Flag bit 1 = Interrupt is pending 0 = Interrupt is not pending
bit 1	CLC2IF: CLC2 Interrupt Flag bit 1 = Interrupt is pending 0 = Interrupt is not pending
bit 0	CLC1IF: CLC1 Interrupt Flag bit 1 = Interrupt is pending 0 = Interrupt is not pending

Note: Interrupt flag bits are set when an interrupt condition occurs, regardless of the state of its corresponding enable bit or the Global Enable bit, GIE, of the INTCON register. User software should ensure the appropriate interrupt flag bits are clear prior to enabling an interrupt.

PIC16(L)F1777/8/9

REGISTER 7-11: PIR4: PERIPHERAL INTERRUPT REQUEST REGISTER 4

R/W-0/0	R/W-0/0	R/W-0/0	R/W-0/0	R/W-0/0	R/W-0/0	R/W-0/0	R/W-0/0
—	TMR8IF	TMR5GIF	TMR5IF	TMR3GIF	TMR3IF	TMR6IF	TMR4IF
bit 7							bit 0

Legend:

R = Readable bit	W = Writable bit	U = Unimplemented bit, read as '0'
u = Bit is unchanged	x = Bit is unknown	-n/n = Value at POR and BOR/Value at all other Resets
'1' = Bit is set	'0' = Bit is cleared	

bit 7	Unimplemented: Read as '0'
bit 6	TMR8IF: TMR8 to T8PR Match Interrupt Flag bit 1 = Interrupt is pending 0 = Interrupt is not pending
bit 5	TMR5GIF: Timer5 Gate Interrupt Flag bit 1 = Interrupt is pending 0 = Interrupt is not pending
bit 4	TMR5IF: TMR5 to Overflow Interrupt Flag bit 1 = Interrupt is pending 0 = Interrupt is not pending
bit 3	TMR3GIF: Timer3 Gate Interrupt Flag bit 1 = Interrupt is pending 0 = Interrupt is not pending
bit 2	TMR3IF: TMR3 to Overflow Interrupt Flag bit 1 = Interrupt is pending 0 = Interrupt is not pending
bit 1	TMR6IF: TMR6 to T6PR Match Interrupt Flag bit 1 = Interrupt is pending 0 = Interrupt is not pending
bit 0	TMR4IF: TMR4 to T4PR Match Interrupt Flag bit 1 = Interrupt is pending 0 = Interrupt is not pending

REGISTER 7-12: PIR5: PERIPHERAL INTERRUPT REQUEST REGISTER 5

R/W-0/0	R/W-0/0	R/W-0/0	R/W-0/0	R/W-0/0	R/W-0/0	R/W-0/0	R/W-0/0
CCP8IF ⁽¹⁾	CCP7IF	COG4IF	COG3IF	C8IF ⁽¹⁾	C7IF ⁽¹⁾	C6IF	C5IF
bit 7							bit 0

Legend:

R = Readable bit	W = Writable bit	U = Unimplemented bit, read as '0'
u = Bit is unchanged	x = Bit is unknown	-n/n = Value at POR and BOR/Value at all other Resets
'1' = Bit is set	'0' = Bit is cleared	

bit 7	CCP8IF: CCP8 Interrupt Flag bit 1 = Interrupt is pending 0 = Interrupt is not pending
bit 6	CCP7IF: CCP7 Interrupt Flag bit 1 = Interrupt is pending 0 = Interrupt is not pending
bit 5	COG4IF: COG4 Auto-Shutdown Interrupt Flag bit 1 = Interrupt is pending 0 = Interrupt is not pending
bit 4	COG3IF: COG3 Auto-Shutdown Interrupt Flag bit 1 = Interrupt is pending 0 = Interrupt is not pending
bit 3	C8IF: Comparator C8 Interrupt Flag bit ⁽¹⁾ 1 = Interrupt is pending 0 = Interrupt is not pending
bit 2	C7IF: Comparator C7 Interrupt Flag bit ⁽¹⁾ 1 = Interrupt is pending 0 = Interrupt is not pending
bit 1	C6IF: Comparator C6 Interrupt Flag bit 1 = Interrupt is pending 0 = Interrupt is not pending
bit 0	C5IF: Comparator C5 Interrupt Flag bit 1 = Interrupt is pending 0 = Interrupt is not pending

Note 1: PIC16(L)F1777/9 only.

PIC16(L)F1777/8/9

REGISTER 7-13: PIR6: PERIPHERAL INTERRUPT REQUEST REGISTER 6

R/W-0/0	R/W-0/0	R/W-0/0	R/W-0/0	R/W-0/0	R/W-0/0	R/W-0/0	R/W-0/0
—	—	—	—	PWM12IF ⁽¹⁾	PWM11IF	PWM6IF	PWM5IF
bit 7							bit 0

Legend:

R = Readable bit

W = Writable bit

U = Unimplemented bit, read as '0'

u = Bit is unchanged

x = Bit is unknown

-n/n = Value at POR and BOR/Value at all other Resets

'1' = Bit is set

'0' = Bit is cleared

- bit 7-4 **Unimplemented:** Read as '0'
- bit 3 **PWM12IF:** PWM12 Interrupt Flag bit⁽¹⁾
1 = Interrupt is pending
0 = Interrupt is not pending
- bit 2 **PWM11IF:** PWM11 Interrupt Flag bit
1 = Interrupt is pending
0 = Interrupt is not pending
- bit 1 **PWM6IF:** PWM6 Interrupt Flag bit
1 = Interrupt is pending
0 = Interrupt is not pending
- bit 0 **PWM5IF:** PWM5 Interrupt Flag bit
1 = Interrupt is pending
0 = Interrupt is not pending

Note 1: PIC16(L)F1777/9 only.

TABLE 7-1: SUMMARY OF REGISTERS ASSOCIATED WITH INTERRUPTS

Name	Bit 7	Bit 6	Bit 5	Bit 4	Bit 3	Bit 2	Bit 1	Bit 0	Register on Page
INTCON	GIE	PEIE	TMR0IE	INTE	IOCIE	TMR0IF	INTF	IOCIF	132
OPTION_REG	WPUEN	INTEDG	TMR0CS	TMR0SE	PSA	PS<2:0>			274
PIE1	TMR1GIE	ADIE	RCIE	TXIE	SSP1IE	CCP1IE	TMR2IE	TMR1IE	133
PIE2	OSFIE	C2IE	C1IE	COG1IE	BCL1IE	C4IE	C3IE	CCP2IE	134
PIE3	—	—	COG2IE	ZCDIE	CLC4IE	CLC3IE	CLC2IE	CLC1IE	135
PIE4	—	TMR8IE	TMR5GIE	TMR5IE	TMR3GIE	TMR3IE	TMR6IE	TRM4IE	136
PIE5	CCP8IE ⁽¹⁾	CCP7IE	COG4IE ⁽¹⁾	COG3IE	C8IE ⁽¹⁾	C7IE ⁽¹⁾	C6IE	C5IE	137
PIE6	—	—	—	—	PWM12IE ⁽¹⁾	PWM11IE	PWM6IE	PWM5IE	138
PIR1	TMR1GIF	ADIF	RCIF	TXIF	SSP1IF	CCP1IF	TMR2IF	TMR1IF	139
PIR2	OSFIF	C2IF	C1IF	COG1IF	BCL1IF	C4IF	C3IF	CCP2IF	140
PIR3	—	—	COG2IF	ZCDIF	CLC4IF	CLC3IF	CLC2IF	CLC1IF	141
PIR4	—	TMR8IF	TMR5GIF	TMR5IF	TMR3GIF	TMR3IF	TMR6IF	TRM4IF	142
PIR5	CCP8IF ⁽¹⁾	CCP7IF	COG4IF ⁽¹⁾	COG3IF	C8IF ⁽¹⁾	C7IF ⁽¹⁾	C6IF	C5IF	143
PIR6	—	—	—	—	PWM12IF ⁽¹⁾	PWM11IF	PWM6IF	PWM5IF	144

Legend: — = unimplemented location, read as '0'. Shaded cells are not used by interrupts.

Note 1: PIC16(L)F1777/9 only.

PIC16(L)F1777/8/9

8.0 POWER-DOWN MODE (SLEEP)

The Power-Down mode is entered by executing a `SLEEP` instruction.

Upon entering Sleep mode, the following conditions exist:

1. WDT will be cleared but keeps running, if enabled for operation during Sleep.
2. \overline{PD} bit of the STATUS register is cleared.
3. \overline{TO} bit of the STATUS register is set.
4. CPU clock is disabled.
5. 31 kHz LFINTOSC is unaffected and peripherals that operate from it may continue operation in Sleep.
6. Timer1 and peripherals that operate from Timer1 continue operation in Sleep when the Timer1 clock source selected is:
 - LFINTOSC
 - T1CKI
 - Secondary oscillator
7. ADC is unaffected, if the dedicated FRC oscillator is selected.
8. I/O ports maintain the status they had before `SLEEP` was executed (driving high, low or high-impedance).
9. Resets other than WDT are not affected by Sleep mode.

Refer to individual chapters for more details on peripheral operation during Sleep.

To minimize current consumption, the following conditions should be considered:

- I/O pins should not be floating
- External circuitry sinking current from I/O pins
- Internal circuitry sourcing current from I/O pins
- Current draw from pins with internal weak pull-ups
- Modules using 31 kHz LFINTOSC
- Modules using secondary oscillator

I/O pins that are high-impedance inputs should be pulled to V_{DD} or V_{SS} externally to avoid switching currents caused by floating inputs.

Examples of internal circuitry that might be sourcing current include modules such as the DAC and FVR modules. See **Section 17.0 “5-Bit Digital-to-Analog Converter (DAC) Module”** and **Section 14.0 “Fixed Voltage Reference (FVR)”** for more information on these modules.

8.1 Wake-up from Sleep

The device can wake-up from Sleep through one of the following events:

1. External Reset input on \overline{MCLR} pin, if enabled
2. BOR Reset, if enabled
3. POR Reset
4. Watchdog Timer, if enabled
5. Any external interrupt
6. Interrupts by peripherals capable of running during Sleep (see individual peripheral for more information)

The first three events will cause a device Reset. The last three events are considered a continuation of program execution. To determine whether a device Reset or wake-up event occurred, refer to **Section 6.12 “Determining the Cause of a Reset”**.

When the `SLEEP` instruction is being executed, the next instruction ($PC + 1$) is prefetched. For the device to wake-up through an interrupt event, the corresponding interrupt enable bit must be enabled. Wake-up will occur regardless of the state of the GIE bit. If the GIE bit is disabled, the device continues execution at the instruction after the `SLEEP` instruction. If the GIE bit is enabled, the device executes the instruction after the `SLEEP` instruction, the device will then call the Interrupt Service Routine. In cases where the execution of the instruction following `SLEEP` is not desirable, the user should have a `NOP` after the `SLEEP` instruction.

The WDT is cleared when the device wakes up from Sleep, regardless of the source of wake-up.

8.1.1 WAKE-UP USING INTERRUPTS

When global interrupts are disabled (GIE cleared) and any interrupt source has both its interrupt enable bit and interrupt flag bit set, one of the following will occur:

- If the interrupt occurs **before** the execution of a SLEEP instruction
 - SLEEP instruction will execute as a NOP
 - WDT and WDT prescaler will not be cleared
 - \overline{TO} bit of the STATUS register will not be set
 - \overline{PD} bit of the STATUS register will not be cleared

- If the interrupt occurs **during or after** the execution of a SLEEP instruction
 - SLEEP instruction will be completely executed
 - Device will immediately wake-up from Sleep
 - WDT and WDT prescaler will be cleared
 - \overline{TO} bit of the STATUS register will be set
 - \overline{PD} bit of the STATUS register will be cleared

Even if the flag bits were checked before executing a SLEEP instruction, it may be possible for flag bits to become set before the SLEEP instruction completes. To determine whether a SLEEP instruction executed, test the PD bit. If the \overline{PD} bit is set, the SLEEP instruction was executed as a NOP.

FIGURE 8-1: WAKE-UP FROM SLEEP THROUGH INTERRUPT



PIC16(L)F1777/8/9

8.2 Low-Power Sleep Mode

The PIC16F1773/6 devices contain an internal Low Dropout (LDO) voltage regulator, which allows the device I/O pins to operate at voltages up to 5.5V while the internal device logic operates at a lower voltage. The LDO and its associated reference circuitry must remain active when the device is in Sleep mode. The PIC16F1773/6 allow the user to optimize the operating current in Sleep, depending on the application requirements.

A Low-Power Sleep mode can be selected by setting the VREGPM bit of the VREGCON register. With this bit set, the LDO and reference circuitry are placed in a low-power state when the device is in Sleep.

8.2.1 SLEEP CURRENT VS. WAKE-UP TIME

In the Default Operating mode, the LDO and reference circuitry remain in the normal configuration while in Sleep. The device is able to exit Sleep mode quickly since all circuits remain active. In Low-Power Sleep mode, when waking up from Sleep, an extra delay time is required for these circuits to return to the normal configuration and stabilize.

The Low-Power Sleep mode is beneficial for applications that stay in Sleep mode for long periods of time. The Normal mode is beneficial for applications that need to wake from Sleep quickly and frequently.

8.2.2 PERIPHERAL USAGE IN SLEEP

Some peripherals that can operate in Sleep mode will not operate properly with the Low-Power Sleep mode selected. The Low-Power Sleep mode is intended for use with the following peripherals only:

- Brown-out Reset (BOR)
- Watchdog Timer (WDT)
- External interrupt pin/interrupt-on-change pins
- Timer1 (with external clock source < 100 kHz)

Note: The PIC16LF1777/8/9 do not have a configurable Low-Power Sleep mode. PIC16LF1777/8/9 are unregulated devices and are always in the lowest power state when in Sleep, with no wake-up time penalty. These devices have a lower maximum V_{DD} and I/O voltage than the PIC16F1777/8/9. See [Section 36.0 “Electrical Specifications”](#) for more information.

8.3 Register Definitions: Voltage Regulator Control

REGISTER 8-1: VREGCON: VOLTAGE REGULATOR CONTROL REGISTER⁽¹⁾

U-0	U-0	U-0	U-0	U-0	U-0	R/W-0/0	R/W-1/1
—	—	—	—	—	—	VREGPM	Reserved
bit 7						bit 0	

Legend:

R = Readable bit

W = Writable bit

U = Unimplemented bit, read as '0'

u = Bit is unchanged

x = Bit is unknown

-n/n = Value at POR and BOR/Value at all other Resets

'1' = Bit is set

'0' = Bit is cleared

bit 7-2 **Unimplemented:** Read as '0'

bit 1 **VREGPM:** Voltage Regulator Power Mode Selection bit

1 = Low-Power Sleep mode enabled in Sleep⁽²⁾

Draws lowest current in Sleep, slower wake-up

0 = Normal Power mode enabled in Sleep⁽²⁾

Draws higher current in Sleep, faster wake-up

bit 0 **Reserved:** Read as '1'. Maintain this bit set.

Note 1: PIC16F1777/8/9 only.

2: See [Section 36.0 "Electrical Specifications"](#).

PIC16(L)F1777/8/9

TABLE 8-1: SUMMARY OF REGISTERS ASSOCIATED WITH POWER-DOWN MODE

Name	Bit 7	Bit 6	Bit 5	Bit 4	Bit 3	Bit 2	Bit 1	Bit 0	Register on Page
INTCON	GIE	PEIE	TMR0IE	INTE	IOCFIE	TMR0IF	INTF	IOCFIF	132
IOCAP	IOCAP7	IOCAP6	IOCAP5	IOCAP4	IOCAP3	IOCAP2	IOCAP1	IOCAP0	215
IOCAN	IOCAN7	IOCAN6	IOCAN5	IOCAN4	IOCAN3	IOCAN2	IOCAN1	IOCAN0	215
IOCAF	IOCAF7	IOCAF6	IOCAF5	IOCAF4	IOCAF3	IOCAF2	IOCAF1	IOCAF0	215
IOCBP	IOCBP7	IOCBP6	IOCBP5	IOCBP4	IOCBP3	IOCBP2	IOCBP1	IOCBP0	216
IOCBN	IOCBN7	IOCBN6	IOCBN5	IOCBN4	IOCBN3	IOCBN2	IOCBN1	IOCBN0	216
IOCBF	IOCBF7	IOCBF6	IOCBF5	IOCBF4	IOCBF3	IOCBF2	IOCBF1	IOCBF0	216
IOCCP	IOCCP7	IOCCP6	IOCCP5	IOCCP4	IOCCP3	IOCCP2	IOCCP1	IOCCP0	216
IOCCN	IOCCN7	IOCCN6	IOCCN5	IOCCN4	IOCCN3	IOCCN2	IOCCN1	IOCCN0	216
IOCCF	IOCCF7	IOCCF6	IOCCF5	IOCCF4	IOCCF3	IOCCF2	IOCCF1	IOCCF0	216
IOCEP	—	—	—	—	IOCEP3	—	—	—	219
IOCEN	—	—	—	—	IOCEN3	—	—	—	219
IOCEF	—	—	—	—	IOCEF3	—	—	—	220
PIE1	TMR1GIE	ADIE	RCIE	TXIE	SSP1IE	CCP1IE	TMR2IE	TMR1IE	133
PIE2	OSFIE	C2IE	C1IE	COG1IE	BCL1IE	C4IE	C3IE	CCP2IE	134
PIE3	—	—	COG2IE	ZCDIE	CLC4IE	CLC3IE	CLC2IE	CLC1IE	135
PIE4	—	TMR8IE	TMR5GIE	TMR5IE	TMR3GIE	TMR3IE	TMR6IE	TRM4IE	136
PIE5	CCP8IE ⁽¹⁾	CCP7IE	COG4IE ⁽¹⁾	COG3IE	C8IE ⁽¹⁾	C7IE ⁽¹⁾	C6IE	C5IE	137
PIE6	—	—	—	—	PWM12IE ⁽¹⁾	PWM11IE	PWM6IE	PWM5IE	138
PIR1	TMR1GIF	ADIF	RCIF	TXIF	SSP1IF	CCP1IF	TMR2IF	TMR1IF	139
PIR2	OSFIF	C2IF	C1IF	COG1IF	BCL1IF	C4IF	C3IF	CCP2IF	140
PIR3	—	—	COG2IF	ZCDIF	CLC4IF	CLC3IF	CLC2IF	CLC1IF	141
PIR4	—	TMR8IF	TMR5GIF	TMR5IF	TMR3GIF	TMR3IF	TMR6IF	TRM4IF	142
PIR5	CCP8IF ⁽¹⁾	CCP7IF	COG4IF ⁽¹⁾	COG3IF	C8IF ⁽¹⁾	C7IF ⁽¹⁾	C6IF	C5IF	143
PIR6	—	—	—	—	PWM12IF ⁽¹⁾	PWM11IF	PWM6IF	PWM5IF	144
STATUS	—	—	—	\overline{TO}	\overline{PD}	Z	DC	C	40
VREGCON ⁽¹⁾	—	—	—	—	—	—	VREGPM ⁽²⁾	Reserved	149
WDTCON	—	—	WDTPS<4:0>					SWDTEN	154

Legend: — = unimplemented location, read as '0'. Shaded cells are not used in Power-Down mode.

Note 1: PIC16(L)F1777/9 only.

Note 2: Unimplemented on PIC16LF1777/8/9.

9.0 WATCHDOG TIMER (WDT)

The Watchdog Timer is a system timer that generates a Reset if the firmware does not issue a `CLRWDT` instruction within the time-out period. The Watchdog Timer is typically used to recover the system from unexpected events.

The WDT has the following features:

- Independent clock source
- Multiple operating modes
 - WDT is always on
 - WDT is off when in Sleep
 - WDT is controlled by software
 - WDT is always off
- Configurable time-out period is from 1 ms to 256 seconds (nominal)
- Multiple Reset conditions
- Operation during Sleep

FIGURE 9-1: WATCHDOG TIMER BLOCK DIAGRAM



PIC16(L)F1777/8/9

9.1 Independent Clock Source

The WDT derives its time base from the 31 kHz LFINTOSC internal oscillator. Time intervals in this chapter are based on a nominal interval of 1 ms. See [Table 36-8: Oscillator Parameters](#) for the LFINTOSC specification.

9.2 WDT Operating Modes

The Watchdog Timer module has four operating modes controlled by the WDTE<1:0> bits in Configuration Words. See [Table 9-1](#).

9.2.1 WDT IS ALWAYS ON

When the WDTE bits of Configuration Words are set to '11', the WDT is always on.

WDT protection is active during Sleep.

9.2.2 WDT IS OFF IN SLEEP

When the WDTE bits of Configuration Words are set to '10', the WDT is on, except in Sleep.

WDT protection is not active during Sleep.

9.2.3 WDT CONTROLLED BY SOFTWARE

When the WDTE bits of Configuration Words are set to '01', the WDT is controlled by the SWDTEN bit of the WDTCON register.

WDT protection is unchanged by Sleep. See [Table 9-1](#) for more details.

TABLE 9-1: WDT OPERATING MODES

WDTE<1:0>	SWDTEN	Device Mode	WDT Mode
11	x	X	Active
10	x	Awake	Active
		Sleep	Disabled
01	1	X	Active
	0		Disabled
00	x	X	Disabled

9.3 Time-Out Period

The WDTPS bits of the WDTCON register set the time-out period from 1 ms to 256 seconds (nominal). After a Reset, the default time-out period is two seconds.

9.4 Clearing the WDT

The WDT is cleared when any of the following conditions occur:

- Any Reset
- CLRWDT instruction is executed
- Device enters Sleep
- Device wakes up from Sleep
- Oscillator fail
- WDT is disabled
- Oscillator Start-up Timer (OST) is running

See [Table 9-2](#) for more information.

9.5 Operation During Sleep

When the device enters Sleep, the WDT is cleared. If the WDT is enabled during Sleep, the WDT resumes counting.

When the device exits Sleep, the WDT is cleared again. The WDT remains clear until the OST, if enabled, completes. See [Section 5.0 “Oscillator Module \(with Fail-Safe Clock Monitor\)”](#) for more information on the OST.

When a WDT time-out occurs while the device is in Sleep, no Reset is generated. Instead, the device wakes up and resumes operation. The \overline{TO} and \overline{PD} bits in the STATUS register are changed to indicate the event. See STATUS Register ([Register 3-1](#)) for more information.

TABLE 9-2: WDT CLEARING CONDITIONS

Conditions	WDT
WDTE<1:0> = 00	Cleared
WDTE<1:0> = 01 and SWDTEN = 0	
WDTE<1:0> = 10 and enter Sleep	
CLRWDT Command	
Oscillator Fail Detected	
Exit Sleep + System Clock = T1OSC, EXTRC, INTOSC, EXTCLK	Cleared until the end of OST
Exit Sleep + System Clock = XT, HS, LP	
Change INTOSC divider (IRCF bits)	Unaffected

PIC16(L)F1777/8/9

9.6 Register Definitions: Watchdog Control

REGISTER 9-1: WDTCON: WATCHDOG TIMER CONTROL REGISTER

U-0	U-0	R/W-0/0	R/W-1/1	R/W-0/0	R/W-1/1	R/W-1/1	R/W-0/0
—	—	WDTPS<4:0> ⁽¹⁾					SWDTEN
bit 7							bit 0

Legend:

R = Readable bit	W = Writable bit	U = Unimplemented bit, read as '0'
u = Bit is unchanged	x = Bit is unknown	-m/n = Value at POR and BOR/Value at all other Resets
'1' = Bit is set	'0' = Bit is cleared	

bit 7-6 **Unimplemented:** Read as '0'

bit 5-1 **WDTPS<4:0>:** Watchdog Timer Period Select bits⁽¹⁾

Bit Value = Prescale Rate

11111 = Reserved. Results in minimum interval (1:32)

•
•
•

10011 = Reserved. Results in minimum interval (1:32)

10010 = 1:8388608 (2^{23}) (Interval 256s nominal)

10001 = 1:4194304 (2^{22}) (Interval 128s nominal)

10000 = 1:2097152 (2^{21}) (Interval 64s nominal)

01111 = 1:1048576 (2^{20}) (Interval 32s nominal)

01110 = 1:524288 (2^{19}) (Interval 16s nominal)

01101 = 1:262144 (2^{18}) (Interval 8s nominal)

01100 = 1:131072 (2^{17}) (Interval 4s nominal)

01011 = 1:65536 (Interval 2s nominal) (Reset value)

01010 = 1:32768 (Interval 1s nominal)

01001 = 1:16384 (Interval 512 ms nominal)

01000 = 1:8192 (Interval 256 ms nominal)

00111 = 1:4096 (Interval 128 ms nominal)

00110 = 1:2048 (Interval 64 ms nominal)

00101 = 1:1024 (Interval 32 ms nominal)

00100 = 1:512 (Interval 16 ms nominal)

00011 = 1:256 (Interval 8 ms nominal)

00010 = 1:128 (Interval 4 ms nominal)

00001 = 1:64 (Interval 2 ms nominal)

00000 = 1:32 (Interval 1 ms nominal)

bit 0 **SWDTEN:** Software Enable/Disable for Watchdog Timer bit

If WDTE<1:0> = 1x:

This bit is ignored.

If WDTE<1:0> = 01:

1 = WDT is turned on

0 = WDT is turned off

If WDTE<1:0> = 00:

This bit is ignored.

Note 1: Times are approximate. WDT time is based on 31 kHz LFINTOSC.

TABLE 9-3: SUMMARY OF REGISTERS ASSOCIATED WITH WATCHDOG TIMER

Name	Bit 7	Bit 6	Bit 5	Bit 4	Bit 3	Bit 2	Bit 1	Bit 0	Register on Page
OSCCON	SPLLEN	IRCF<3:0>				—	SCS<1:0>		116
STATUS	—	—	—	\overline{TO}	\overline{PD}	Z	DC	C	40
WDTCON	—	—	WDTPS<4:0>					SWDTEN	154

Legend: x = unknown, u = unchanged, — = unimplemented locations read as '0'. Shaded cells are not used by Watchdog Timer.

TABLE 9-4: SUMMARY OF CONFIGURATION WORD WITH WATCHDOG TIMER

Name	Bits	Bit -/7	Bit -/6	Bit 13/5	Bit 12/4	Bit 11/3	Bit 10/2	Bit 9/1	Bit 8/0	Register on Page
CONFIG1	13:8	—	—	FCMEN	IESO	$\overline{CLKOUTEN}$	BOREN<1:0>	—	95	
	7:0	\overline{CP}	MCLRE	$\overline{PWRTÉ}$	WDTE<1:0>		FOSC<2:0>			

Legend: — = unimplemented location, read as '0'. Shaded cells are not used by Watchdog Timer.

PIC16(L)F1777/8/9

10.0 FLASH PROGRAM MEMORY CONTROL

The Flash program memory is readable and writable during normal operation over the full VDD range. Program memory is indirectly addressed using Special Function Registers (SFRs). The SFRs used to access program memory are:

- PMCON1
- PMCON2
- PMDATL
- PMDATH
- PMADRL
- PMADRH

When accessing the program memory, the PMDATH:PMDATL register pair forms a 2-byte word that holds the 14-bit data for read/write, and the PMADRH:PMADRL register pair forms a 2-byte word that holds the 15-bit address of the program memory location being read.

The write time is controlled by an on-chip timer. The write/erase voltages are generated by an on-chip charge pump rated to operate over the operating voltage range of the device.

The Flash program memory can be protected in two ways; by code protection (\overline{CP} bit in Configuration Words) and write protection (WRT<1:0> bits in Configuration Words).

Code protection ($\overline{CP} = 0$)⁽¹⁾, disables access, reading and writing, to the Flash program memory via external device programmers. Code protection does not affect the self-write and erase functionality. Code protection can only be reset by a device programmer performing a Bulk Erase to the device, clearing all Flash program memory, Configuration bits and User IDs.

Write protection prohibits self-write and erase to a portion or all of the Flash program memory as defined by the bits, WRT<1:0>. Write protection does not affect a device programmers ability to read, write or erase the device.

Note 1: Code protection of the entire Flash program memory array is enabled by clearing the \overline{CP} bit of Configuration Words.

10.1 PMADRL and PMADRH Registers

The PMADRH:PMADRL register pair can address up to a maximum of 32K words of program memory. When selecting a program address value, the MSB of the address is written to the PMADRH register and the LSB is written to the PMADRL register.

10.1.1 PMCON1 AND PMCON2 REGISTERS

PMCON1 is the control register for Flash program memory accesses.

Control bits RD and WR initiate read and write, respectively. These bits cannot be cleared, only set, in software. They are cleared by hardware at completion of the read or write operation. The inability to clear the WR bit in software prevents the accidental, premature termination of a write operation.

The WREN bit, when set, will allow a write operation to occur. On power-up, the WREN bit is clear. The WRERR bit is set when a write operation is interrupted by a Reset during normal operation. In these situations, following Reset, the user can check the WRERR bit and execute the appropriate error handling routine.

The PMCON2 register is a write-only register. Attempting to read the PMCON2 register will return all '0's.

To enable writes to the program memory, a specific pattern (the unlock sequence), must be written to the PMCON2 register. The required unlock sequence prevents inadvertent writes to the program memory write latches and Flash program memory.

10.2 Flash Program Memory Overview

It is important to understand the Flash program memory structure for erase and programming operations. Flash program memory is arranged in rows. A row consists of a fixed number of 14-bit program memory words. A row is the minimum size that can be erased by user software.

After a row has been erased, the user can reprogram all or a portion of this row. Data to be written into the program memory row is written to 14-bit wide data write latches. These write latches are not directly accessible to the user, but may be loaded via sequential writes to the PMDATH:PMDATL register pair.

Note: If the user wants to modify only a portion of a previously programmed row, then the contents of the entire row must be read and saved in RAM prior to the erase. Then, new data and retained data can be written into the write latches to reprogram the row of Flash program memory. However, any unprogrammed locations can be written without first erasing the row. In this case, it is not necessary to save and rewrite the other previously programmed locations.

See [Table 10-1](#) for Erase Row size and the number of write latches for Flash program memory.

TABLE 10-1: FLASH MEMORY ORGANIZATION BY DEVICE

Device	Row Erase (words)	Write Latches (words)
PIC16(L)F1778	32	32
PIC16(L)F1777/9		

10.2.1 READING THE FLASH PROGRAM MEMORY

To read a program memory location, the user must:

1. Write the desired address to the PMADRH:PMADRL register pair.
2. Clear the CFGS bit of the PMCON1 register.
3. Then, set control bit RD of the PMCON1 register.

Once the read control bit is set, the program memory Flash controller will use the second instruction cycle to read the data. This causes the second instruction immediately following the “BSF PMCON1, RD” instruction to be ignored. The data is available in the very next cycle, in the PMDATH:PMDATL register pair; therefore, it can be read as two bytes in the following instructions.

The PMDATH:PMDATL register pair will hold this value until another read or until it is written to by the user.

Note: The two instructions following a program memory read are required to be NOPs. This prevents the user from executing a 2-cycle instruction on the next instruction after the RD bit is set.

FIGURE 10-1: FLASH PROGRAM MEMORY READ FLOWCHART



PIC16(L)F1777/8/9

FIGURE 10-2: FLASH PROGRAM MEMORY READ CYCLE EXECUTION



EXAMPLE 10-1: FLASH PROGRAM MEMORY READ

```

* This code block will read 1 word of program
* memory at the memory address:
  PROG_ADDR_HI : PROG_ADDR_LO
* data will be returned in the variables;
*  PROG_DATA_HI, PROG_DATA_LO

  BANKSEL  PMADRL          ; Select Bank for PMCON registers
  MOVLW   PROG_ADDR_LO    ;
  MOVWF   PMADRL          ; Store LSB of address
  MOVLW   PROG_ADDR_HI    ;
  MOVWF   PMADRH         ; Store MSB of address

  BCF     PMCON1,CFGFS    ; Do not select Configuration Space
  BSF     PMCON1,RD      ; Initiate read
  NOP     ; Ignored (Figure 10-1)
  NOP     ; Ignored (Figure 10-1)

  MOVF    PMDATL,W        ; Get LSB of word
  MOVWF   PROG_DATA_LO   ; Store in user location
  MOVF    PMDATH,W        ; Get MSB of word
  MOVWF   PROG_DATA_HI   ; Store in user location

```

10.2.2 FLASH MEMORY UNLOCK SEQUENCE

The unlock sequence is a mechanism that protects the Flash program memory from unintended self-write programming or erasing. The sequence must be executed and completed without interruption to successfully complete any of the following operations:

- Row Erase
- Load program memory write latches
- Write of program memory write latches to program memory
- Write of program memory write latches to User IDs

The unlock sequence consists of the following steps:

1. Write 55h to PMCON2
2. Write AAh to PMCON2
3. Set the WR bit in PMCON1
4. NOP instruction
5. NOP instruction

Once the WR bit is set, the processor will always force two NOP instructions. When an Erase Row or Program Row operation is being performed, the processor will stall internal operations (typical 2 ms), until the operation is complete and then resume with the next instruction. When the operation is loading the program memory write latches, the processor will always force the two NOP instructions and continue uninterrupted with the next instruction.

Since the unlock sequence must not be interrupted, global interrupts should be disabled prior to the unlock sequence and re-enabled after the unlock sequence is completed.

FIGURE 10-3: FLASH PROGRAM MEMORY UNLOCK SEQUENCE FLOWCHART



PIC16(L)F1777/8/9

10.2.3 ERASING FLASH PROGRAM MEMORY

While executing code, program memory can only be erased by rows. To erase a row:

1. Load the PMADRH:PMADRL register pair with any address within the row to be erased.
2. Clear the CFGS bit of the PMCON1 register.
3. Set the FREE and WREN bits of the PMCON1 register.
4. Write 55h, then AAh, to PMCON2 (Flash programming unlock sequence).
5. Set control bit WR of the PMCON1 register to begin the erase operation.

See [Example 10-2](#).

After the “BSF PMCON1, WR” instruction, the processor requires two cycles to set up the erase operation. The user must place two NOP instructions immediately following the WR bit set instruction. The processor will halt internal operations for the typical 2 ms erase time. This is not Sleep mode as the clocks and peripherals will continue to run. After the erase cycle, the processor will resume operation with the third instruction after the PMCON1 write instruction.

FIGURE 10-4: FLASH PROGRAM MEMORY ERASE FLOWCHART



EXAMPLE 10-2: ERASING ONE ROW OF PROGRAM MEMORY

```

; This row erase routine assumes the following:
; 1. A valid address within the erase row is loaded in ADDRH:ADDRL
; 2. ADDRH and ADDRL are located in shared data memory 0x70 - 0x7F (common RAM)

        BCF      INTCON,GIE      ; Disable ints so required sequences will execute properly
        BANKSEL PMADRL
        MOVF     ADDRL,W         ; Load lower 8 bits of erase address boundary
        MOVWF   PMADRL
        MOVF     ADDRH,W        ; Load upper 6 bits of erase address boundary
        MOVWF   PMADRH
        BCF     PMCON1,CFG5      ; Not configuration space
        BSF     PMCON1,FREE      ; Specify an erase operation
        BSF     PMCON1,WREN      ; Enable writes

        MOVLW   55h              ; Start of required sequence to initiate erase
        MOVWF   PMCON2           ; Write 55h
        MOVLW   0AAh             ;
        MOVWF   PMCON2           ; Write AAh
        BSF     PMCON1,WR        ; Set WR bit to begin erase
        NOP                    ; NOP instructions are forced as processor starts
        NOP                    ; row erase of program memory.
        ;
        ; The processor stalls until the erase process is complete
        ; after erase processor continues with 3rd instruction

        BCF     PMCON1,WREN      ; Disable writes
        BSF     INTCON,GIE      ; Enable interrupts
    
```

Required Sequence

PIC16(L)F1777/8/9

10.2.4 WRITING TO FLASH PROGRAM MEMORY

Program memory is programmed using the following steps:

1. Load the address in PMADRH:PMADRL of the row to be programmed.
2. Load each write latch with data.
3. Initiate a programming operation.
4. Repeat steps 1 through 3 until all data is written.

Before writing to program memory, the word(s) to be written must be erased or previously unwritten. Program memory can only be erased one row at a time. No automatic erase occurs upon the initiation of the write.

Program memory can be written one or more words at a time. The maximum number of words written at one time is equal to the number of write latches. See [Figure 10-5](#) (row writes to program memory with 32 write latches) for more details.

The write latches are aligned to the Flash row address boundary defined by the upper ten bits of PMADRH:PMADRL, (PMADRH<6:0>:PMADRL<7:5>) with the lower five bits of PMADRL, (PMADRL<4:0>) determining the write latch being loaded. Write operations do not cross these boundaries. At the completion of a program memory write operation, the data in the write latches is reset to contain 0x3FFF.

The following steps should be completed to load the write latches and program a row of program memory. These steps are divided into two parts. First, each write latch is loaded with data from the PMDATH:PMDATL using the unlock sequence with LWLO = 1. When the last word to be loaded into the write latch is ready, the LWLO bit is cleared and the unlock sequence executed. This initiates the programming operation, writing all the latches into Flash program memory.

Note: The special unlock sequence is required to load a write latch with data or initiate a Flash programming operation. If the unlock sequence is interrupted, writing to the latches or program memory will not be initiated.

1. Set the WREN bit of the PMCON1 register.
2. Clear the CFGS bit of the PMCON1 register.
3. Set the LWLO bit of the PMCON1 register. When the LWLO bit of the PMCON1 register is '1', the write sequence will only load the write latches and will not initiate the write to Flash program memory.
4. Load the PMADRH:PMADRL register pair with the address of the location to be written.
5. Load the PMDATH:PMDATL register pair with the program memory data to be written.
6. Execute the unlock sequence ([Section 10.2.2 "Flash Memory Unlock Sequence"](#)). The write latch is now loaded.
7. Increment the PMADRH:PMADRL register pair to point to the next location.
8. Repeat steps 5 through 7 until all but the last write latch has been loaded.
9. Clear the LWLO bit of the PMCON1 register. When the LWLO bit of the PMCON1 register is '0', the write sequence will initiate the write to Flash program memory.
10. Load the PMDATH:PMDATL register pair with the program memory data to be written.
11. Execute the unlock sequence ([Section 10.2.2 "Flash Memory Unlock Sequence"](#)). The entire program memory latch content is now written to Flash program memory.

Note: The program memory write latches are reset to the blank state (0x3FFF) at the completion of every write or erase operation. As a result, it is not necessary to load all the program memory write latches. Unloaded latches will remain in the blank state.

An example of the complete write sequence is shown in [Example 10-3](#). The initial address is loaded into the PMADRH:PMADRL register pair; the data is loaded using indirect addressing.

FIGURE 10-5: BLOCK WRITES TO FLASH PROGRAM MEMORY WITH 32 WRITE LATCHES



PIC16(L)F1777/8/9

FIGURE 10-6: FLASH PROGRAM MEMORY WRITE FLOWCHART



EXAMPLE 10-3: WRITING TO FLASH PROGRAM MEMORY

```

; This write routine assumes the following:
; 1. 64 bytes of data are loaded, starting at the address in DATA_ADDR
; 2. Each word of data to be written is made up of two adjacent bytes in DATA_ADDR,
; stored in little endian format
; 3. A valid starting address (the least significant bits = 00000) is loaded in ADDRH:ADDRL
; 4. ADDRH and ADDRL are located in shared data memory 0x70 - 0x7F (common RAM)
;
        BCF      INTCON,GIE      ; Disable ints so required sequences will execute properly
        BANKSEL  PMADRH         ; Bank 3
        MOVF     ADDRH,W        ; Load initial address
        MOVWF    PMADRH        ;
        MOVF     ADDRL,W        ;
        MOVWF    PMADRL        ;
        MOVLW   LOW DATA_ADDR  ; Load initial data address
        MOVWF    FSR0L         ;
        MOVLW   HIGH DATA_ADDR ; Load initial data address
        MOVWF    FSR0H         ;
        BCF     PMCON1,CFG5     ; Not configuration space
        BSF     PMCON1,WREN     ; Enable writes
        BSF     PMCON1,LWLO     ; Only Load Write Latches

LOOP
        MOVIW   FSR0++         ; Load first data byte into lower
        MOVWF   PMDATL        ;
        MOVIW   FSR0++         ; Load second data byte into upper
        MOVWF   PMDATH        ;

        MOVF    PMADRL,W       ; Check if lower bits of address are '00000'
        XORLW   0x1F           ; Check if we're on the last of 32 addresses
        ANDLW   0x1F           ;
        BTFSC   STATUS,Z       ; Exit if last of 32 words,
        GOTO    START_WRITE    ;

        Required Sequence
        MOVLW   55h            ; Start of required write sequence:
        MOVWF   PMCON2        ; Write 55h
        MOVLW   0AAh          ;
        MOVWF   PMCON2        ; Write AAh
        BSF     PMCON1,WR     ; Set WR bit to begin write
        NOP     ; NOP instructions are forced as processor
                ; loads program memory write latches
        NOP     ;

        INCF    PMADRL,F       ; Still loading latches Increment address
        GOTO    LOOP          ; Write next latches

START_WRITE
        BCF     PMCON1,LWLO    ; No more loading latches - Actually start Flash program
                                ; memory write

        Required Sequence
        MOVLW   55h            ; Start of required write sequence:
        MOVWF   PMCON2        ; Write 55h
        MOVLW   0AAh          ;
        MOVWF   PMCON2        ; Write AAh
        BSF     PMCON1,WR     ; Set WR bit to begin write
        NOP     ; NOP instructions are forced as processor writes
                ; all the program memory write latches simultaneously
                ; to program memory.
        NOP     ; After NOPs, the processor
                ; stalls until the self-write process is complete
                ; after write processor continues with 3rd instruction

        BCF     PMCON1,WREN    ; Disable writes
        BSF     INTCON,GIE     ; Enable interrupts
    
```

10.3 Modifying Flash Program Memory

When modifying existing data in a program memory row, and data within that row must be preserved, it must first be read and saved in a RAM image. Program memory is modified using the following steps:

1. Load the starting address of the row to be modified.
2. Read the existing data from the row into a RAM image.
3. Modify the RAM image to contain the new data to be written into program memory.
4. Load the starting address of the row to be rewritten.
5. Erase the program memory row.
6. Load the write latches with data from the RAM image.
7. Initiate a programming operation.

FIGURE 10-7: FLASH PROGRAM MEMORY MODIFY FLOWCHART



10.4 User ID, Device ID and Configuration Word Access

Instead of accessing program memory, the User ID's, Device ID/Revision ID and Configuration Words can be accessed when $CFG5 = 1$ in the PMCON1 register. This is the region that would be pointed to by $PC<15> = 1$, but not all addresses are accessible. Different access may exist for reads and writes. Refer to [Table 10-2](#).

When read access is initiated on an address outside the parameters listed in [Table 10-2](#), the PMDATH:PMDATL register pair is cleared, reading back '0's.

TABLE 10-2: USER ID, DEVICE ID AND CONFIGURATION WORD ACCESS ($CFG5 = 1$)

Address	Function	Read Access	Write Access
8000h-8003h	User IDs	Yes	Yes
8005h-8006h	Device ID/Revision ID	Yes	No
8007h-8008h	Configuration Words 1 and 2	Yes	No

EXAMPLE 10-4: CONFIGURATION WORD AND DEVICE ID ACCESS

```
* This code block will read 1 word of program memory at the memory address:
*   PROG_ADDR_LO (must be 00h-08h) data will be returned in the variables;
*   PROG_DATA_HI, PROG_DATA_LO

BANKSEL  PMADRL           ; Select correct Bank
MOVLW    PROG_ADDR_LO    ;
MOVWF    PMADRL          ; Store LSB of address
CLRF     PMADRH          ; Clear MSB of address

BSF      PMCON1,CFG5     ; Select Configuration Space
BCF      INTCON,GIE      ; Disable interrupts
BSF      PMCON1,RD       ; Initiate read
NOP      ; Executed (See Figure 10-2)
NOP      ; Ignored (See Figure 10-2)
BSF      INTCON,GIE      ; Restore interrupts

MOVF     PMDATL,W        ; Get LSB of word
MOVWF    PROG_DATA_LO    ; Store in user location
MOVF     PMDATH,W        ; Get MSB of word
MOVWF    PROG_DATA_HI    ; Store in user location
```

PIC16(L)F1777/8/9

10.5 Write/Verify

It is considered good programming practice to verify that program memory writes agree with the intended value. Since program memory is stored as a full page then the stored program memory contents are compared with the intended data stored in RAM after the last write is complete.

FIGURE 10-8: FLASH PROGRAM MEMORY VERIFY FLOWCHART



10.6 Register Definitions: Flash Program Memory Control

REGISTER 10-1: PMDATL: PROGRAM MEMORY DATA LOW BYTE REGISTER

R/W-x/u	R/W-x/u	R/W-x/u	R/W-x/u	R/W-x/u	R/W-x/u	R/W-x/u	R/W-x/u
PMDAT<7:0>							
bit 7							bit 0

Legend:

R = Readable bit	W = Writable bit	U = Unimplemented bit, read as '0'
u = Bit is unchanged	x = Bit is unknown	-n/n = Value at POR and BOR/Value at all other Resets
'1' = Bit is set	'0' = Bit is cleared	

bit 7-0 **PMDAT<7:0>**: Read/write value for Least Significant bits of program memory

REGISTER 10-2: PMDATH: PROGRAM MEMORY DATA HIGH BYTE REGISTER

U-0	U-0	R/W-x/u	R/W-x/u	R/W-x/u	R/W-x/u	R/W-x/u	R/W-x/u
—		PMDAT<13:8>					
bit 7							bit 0

Legend:

R = Readable bit	W = Writable bit	U = Unimplemented bit, read as '0'
u = Bit is unchanged	x = Bit is unknown	-n/n = Value at POR and BOR/Value at all other Resets
'1' = Bit is set	'0' = Bit is cleared	

bit 7-6 **Unimplemented**: Read as '0'

bit 5-0 **PMDAT<13:8>**: Read/write value for Most Significant bits of program memory

REGISTER 10-3: PMADRL: PROGRAM MEMORY ADDRESS LOW BYTE REGISTER

R/W-0/0	R/W-0/0	R/W-0/0	R/W-0/0	R/W-0/0	R/W-0/0	R/W-0/0	R/W-0/0
PMADR<7:0>							
bit 7							bit 0

Legend:

R = Readable bit	W = Writable bit	U = Unimplemented bit, read as '0'
u = Bit is unchanged	x = Bit is unknown	-n/n = Value at POR and BOR/Value at all other Resets
'1' = Bit is set	'0' = Bit is cleared	

bit 7-0 **PMADR<7:0>**: Specifies the Least Significant bits for program memory address

PIC16(L)F1777/8/9

REGISTER 10-4: PMADRH: PROGRAM MEMORY ADDRESS HIGH BYTE REGISTER

U-1	R/W-0/0	R/W-0/0	R/W-0/0	R/W-0/0	R/W-0/0	R/W-0/0	R/W-0/0
—(1)	PMADR<14:8>						
bit 7							bit 0

Legend:

R = Readable bit

W = Writable bit

U = Unimplemented bit, read as '0'

u = Bit is unchanged

x = Bit is unknown

-n/n = Value at POR and BOR/Value at all other Resets

'1' = Bit is set

'0' = Bit is cleared

bit 7 **Unimplemented:** Read as '1'

bit 6-0 **PMADR<14:8>:** Specifies the Most Significant bits for program memory address

Note 1: Unimplemented, read as '1'.

REGISTER 10-5: PMCON1: PROGRAM MEMORY CONTROL 1 REGISTER

U-1	R/W-0/0	R/W-0/0	R/W/HC-0/0	R/W/HC-x/q ⁽²⁾	R/W-0/0	R/S/HC-0/0	R/S/HC-0/0
— ⁽¹⁾	CFGS	LWLO ⁽³⁾	FREE	WRERR	WREN	WR	RD
bit 7							bit 0

Legend:

R = Readable bit	W = Writable bit	U = Unimplemented bit, read as '0'
S = Bit can only be set	x = Bit is unknown	-n/n = Value at POR and BOR/Value at all other Resets
'1' = Bit is set	'0' = Bit is cleared	HC = Bit is cleared by hardware

bit 7	Unimplemented: Read as '1'
bit 6	CFGS: Configuration Select bit 1 = Access Configuration, User ID and Device ID Registers 0 = Access Flash program memory
bit 5	LWLO: Load Write Latches Only bit ⁽³⁾ 1 = Only the addressed program memory write latch is loaded/updated on the next WR command 0 = The addressed program memory write latch is loaded/updated and a write of all program memory write latches will be initiated on the next WR command
bit 4	FREE: Program Flash Erase Enable bit 1 = Performs an erase operation on the next WR command (hardware cleared upon completion) 0 = Performs a write operation on the next WR command
bit 3	WRERR: Program/Erase Error Flag bit 1 = Condition indicates an improper program or erase sequence attempt or termination (bit is set automatically on any set attempt (write '1') of the WR bit). 0 = The program or erase operation completed normally
bit 2	WREN: Program/Erase Enable bit 1 = Allows program/erase cycles 0 = Inhibits programming/erasing of program Flash
bit 1	WR: Write Control bit 1 = Initiates a program Flash program/erase operation. The operation is self-timed and the bit is cleared by hardware once operation is complete. The WR bit can only be set (not cleared) in software. 0 = Program/erase operation to the Flash is complete and inactive
bit 0	RD: Read Control bit 1 = Initiates a program Flash read. Read takes one cycle. RD is cleared in hardware. The RD bit can only be set (not cleared) in software. 0 = Does not initiate a program Flash read

- Note**
- 1: Unimplemented bit, read as '1'.
 - 2: The WRERR bit is automatically set by hardware when a program memory write or erase operation is started (WR = 1).
 - 3: The LWLO bit is ignored during a program memory erase operation (FREE = 1).

PIC16(L)F1777/8/9

REGISTER 10-6: PMCON2: PROGRAM MEMORY CONTROL 2 REGISTER

W-0/0	W-0/0	W-0/0	W-0/0	W-0/0	W-0/0	W-0/0	W-0/0
Program Memory Control Register 2							
bit 7							bit 0

Legend:

R = Readable bit	W = Writable bit	U = Unimplemented bit, read as '0'
S = Bit can only be set	x = Bit is unknown	-n/n = Value at POR and BOR/Value at all other Resets
'1' = Bit is set	'0' = Bit is cleared	

bit 7-0 Flash Memory Unlock Pattern bits

To unlock writes, a 55h must be written first, followed by an AAh, before setting the WR bit of the PMCON1 register. The value written to this register is used to unlock the writes. There are specific timing requirements on these writes.

TABLE 10-3: SUMMARY OF REGISTERS ASSOCIATED WITH FLASH PROGRAM MEMORY

Name	Bit 7	Bit 6	Bit 5	Bit 4	Bit 3	Bit 2	Bit 1	Bit 0	Register on Page
INTCON	GIE	PEIE	TMR0IE	INTE	IOCIE	TMR0IF	INTF	IOCIF	132
PMCON1	— ⁽¹⁾	CFGFS	LWLO	FREE	WRERR	WREN	WR	RD	171
PMCON2	Program Memory Control Register 2								172
PMADRL	PMADRL<7:0>								169
PMADRH	— ⁽¹⁾	PMADRH<6:0>							170
PMDATL	PMDATL<7:0>								169
PMDATH	—	—	PMDATH<5:0>						169

Legend: — = unimplemented location, read as '0'. Shaded cells are not used by Flash program memory.

Note 1: Unimplemented, read as '1'.

TABLE 10-4: SUMMARY OF CONFIGURATION WORD WITH FLASH PROGRAM MEMORY

Name	Bits	Bit -/7	Bit -/6	Bit 13/5	Bit 12/4	Bit 11/3	Bit 10/2	Bit 9/1	Bit 8/0	Register on Page
CONFIG1	13:8	—	—	FCMEN	IESO	CLKOUTEN	BOREN<1:0>		—	95
	7:0	CP	MCLRE	PWRTE	WDTE<1:0>		FOSC<2:0>			
CONFIG2	13:8	—	—	LVP	DEBUG	LPBOR	BORV	STVREN	PLLEN	97
	7:0	ZCD	—	—	—	—	PPS1WAY	WRT<1:0>		

Legend: — = unimplemented location, read as '0'. Shaded cells are not used by Flash program memory.

11.0 I/O PORTS

Each port has six standard registers for its operation. These registers are:

- TRISx registers (data direction)
- PORTx registers (reads the levels on the pins of the device)
- LATx registers (output latch)
- INLVLx (input level control)
- ODCONx registers (open-drain)
- SLRCONx registers (slew rate)

Some ports may have one or more of the following additional registers. These registers are:

- ANSELx (analog select)
- WPUx (weak pull-up)

In general, when a peripheral is enabled on a port pin, that pin cannot be used as a general purpose output. However, the pin can still be read.

TABLE 11-1: PORT AVAILABILITY PER DEVICE

Device	PORTA	PORTB	PORTC	PORTD	PORTE
PIC16(L)F1778	•	•	•		•
PIC16(L)F1777/9	•	•	•	•	•

The Data Latch (LATx registers) is useful for read-modify-write operations on the value that the I/O pins are driving.

A write operation to the LATx register has the same effect as a write to the corresponding PORTx register. A read of the LATx register reads of the values held in the I/O PORT latches, while a read of the PORTx register reads the actual I/O pin value.

Ports that support analog inputs have an associated ANSELx register. When an ANSEL bit is set, the digital input buffer associated with that bit is disabled. Disabling the input buffer prevents analog signal levels on the pin between a logic high and low from causing excessive current in the logic input circuitry. A simplified model of a generic I/O port, without the interfaces to other peripherals, is shown in [Figure 11-1](#).

FIGURE 11-1: GENERIC I/O PORT OPERATION



PIC16(L)F1777/8/9

11.1 PORTA Registers

11.1.1 DATA REGISTER

PORTA is a 6-bit wide, bidirectional port. The corresponding data direction register is TRISA (Register 11-2). Setting a TRISA bit (= 1) will make the corresponding PORTA pin an input (i.e., disable the output driver). Clearing a TRISA bit (= 0) will make the corresponding PORTA pin an output (i.e., enables output driver and puts the contents of the output latch on the selected pin). The exception is RA3, which is input-only and its TRIS bit will always read as '1'. Example 11-1 shows how to initialize PORTA.

Reading the PORTA register (Register 11-1) reads the status of the pins, whereas writing to it will write to the PORT latch. All write operations are read-modify-write operations. Therefore, a write to a port implies that the port pins are read, this value is modified and then written to the PORT data latch (LATA).

11.1.2 DIRECTION CONTROL

The TRISA register (Register 11-2) controls the PORTA pin output drivers, even when they are being used as analog inputs. The user should ensure the bits in the TRISA register are maintained set when using them as analog inputs. I/O pins configured as analog inputs always read '0'.

11.1.3 OPEN-DRAIN CONTROL

The ODCONA register (Register 11-6) controls the open-drain feature of the port. Open-drain operation is independently selected for each pin. When an ODCONA bit is set, the corresponding port output becomes an open-drain driver capable of sinking current only. When an ODCONA bit is cleared, the corresponding port output pin is the standard push-pull drive capable of sourcing and sinking current.

11.1.4 SLEW RATE CONTROL

The SLRCONA register (Register 11-7) controls the slew rate option for each port pin. Slew rate control is independently selectable for each port pin. When an SLRCONA bit is set, the corresponding port pin drive is slew rate limited. When an SLRCONA bit is cleared, The corresponding port pin drive slews at the maximum rate possible.

11.1.5 INPUT THRESHOLD CONTROL

The INLVLA register (Register 11-8) controls the input voltage threshold for each of the available PORTA input pins. A selection between the Schmitt Trigger CMOS or the TTL Compatible thresholds is available. The input threshold is important in determining the value of a read of the PORTA register and also the level at which an interrupt-on-change occurs, if that feature is enabled. See Table 36-4: I/O Ports for more information on threshold levels.

Note: Changing the input threshold selection should be performed while all peripheral modules are disabled. Changing the threshold level during the time a module is active may inadvertently generate a transition associated with an input pin, regardless of the actual voltage level on that pin.

11.1.6 ANALOG CONTROL

The ANSELA register (Register 11-4) is used to configure the Input mode of an I/O pin to analog. Setting the appropriate ANSELA bit high will cause all digital reads on the pin to be read as '0' and allow analog functions on the pin to operate correctly.

The state of the ANSELA bits has no effect on digital output functions. A pin with TRIS clear and ANSEL set will still operate as a digital output, but the Input mode will be analog. This can cause unexpected behavior when executing read-modify-write instructions on the affected port.

Note: The ANSELA bits default to the Analog mode after reset. To use any pins as digital general purpose or peripheral inputs, the corresponding ANSEL bits must be initialized to '0' by user software.

EXAMPLE 11-1: INITIALIZING PORTA

```
; This code example illustrates
; initializing the PORTA register. The
; other ports are initialized in the same
; manner.

BANKSEL PORTA      ;
CLRF PORTA         ;Init PORTA
BANKSEL LATA       ;Data Latch
CLRF LATA          ;
BANKSEL ANSELA     ;
CLRF ANSELA        ;digital I/O
BANKSEL TRISA      ;
MOVLW B'00111000' ;Set RA<5:3> as inputs
MOVWF TRISA        ;and set RA<2:0> as
                  ;outputs
```

11.1.7 PORTA FUNCTIONS AND OUTPUT PRIORITIES

Each PORTA pin is multiplexed with other functions.

Each pin defaults to the PORT latch data after reset. Other functions are selected with the peripheral pin select logic. See **Section 12.0 “Peripheral Pin Select (PPS) Module”** for more information.

Analog input functions, such as ADC and comparator inputs are not shown in the peripheral pin select lists. These inputs are active when the I/O pin is set for Analog mode using the ANSELA register. Digital output functions may continue to control the pin when it is in Analog mode.

PIC16(L)F1777/8/9

11.2 Register Definitions: PORTA

REGISTER 11-1: PORTA: PORTA REGISTER

R/W-x/x	R/W-x/x	R/W-x/x	R/W-x/x	R-x/x	R/W-x/x	R/W-x/x	R/W-x/x
RA7	RA6	RA5	RA4	RA3	RA2	RA1	RA0
bit 7							bit 0

Legend:

R = Readable bit W = Writable bit U = Unimplemented bit, read as '0'
u = Bit is unchanged x = Bit is unknown -n/n = Value at POR and BOR/Value at all other Resets
'1' = Bit is set '0' = Bit is cleared

bit 7-0 **RA<7:0>**: PORTA I/O Value bits⁽¹⁾
1 = Port pin is $\geq V_{IH}$
0 = Port pin is $\leq V_{IL}$

Note 1: Writes to PORTA are actually written to corresponding LATA register. Reads from PORTA register is return of actual I/O pin values.

REGISTER 11-2: TRISA: PORTA TRI-STATE REGISTER

R/W-1/1	R/W-1/1	R/W-1/1	R/W-1/1	R/W-1/1	R/W-1/1	R/W-1/1	R/W-1/1
TRISA7	TRISA6	TRISA5	TRISA4	TRISA3	TRISA2	TRISA1	TRISA0
bit 7							bit 0

Legend:

R = Readable bit W = Writable bit U = Unimplemented bit, read as '0'
u = Bit is unchanged x = Bit is unknown -n/n = Value at POR and BOR/Value at all other Resets
'1' = Bit is set '0' = Bit is cleared

bit 7-0 **TRISA<7:0>**: PORTA Tri-State Control bit
1 = PORTA pin configured as an input (tri-stated)
0 = PORTA pin configured as an output

REGISTER 11-3: LATA: PORTA DATA LATCH REGISTER

R/W-x/u	R/W-x/u	R/W-x/u	R/W-x/u	R/W-x/u	R/W-x/u	R/W-x/u	R/W-x/u
LATA7	LATA6	LATA5	LATA4	LATA3	LATA2	LATA1	LATA0
bit 7							bit 0

Legend:

R = Readable bit W = Writable bit U = Unimplemented bit, read as '0'
u = Bit is unchanged x = Bit is unknown -n/n = Value at POR and BOR/Value at all other Resets
'1' = Bit is set '0' = Bit is cleared

bit 7-0 **LATA<7:0>**: RA<7:0> Output Latch Value bits⁽¹⁾

Note 1: Writes to PORTA are actually written to corresponding LATA register. Reads from PORTA register is return of actual I/O pin values.

REGISTER 11-4: ANSELA: PORTA ANALOG SELECT REGISTER

U-0	U-0	R/W-1/1	R/W-1/1	R/W-1/1	R/W-1/1	R/W-1/1	R/W-1/1
—	—	ANSA5	ANSA4	ANSA3	ANSA2	ANSA1	ANSA0
bit 7							bit 0

Legend:

R = Readable bit W = Writable bit U = Unimplemented bit, read as '0'
u = Bit is unchanged x = Bit is unknown -n/n = Value at POR and BOR/Value at all other Resets
'1' = Bit is set '0' = Bit is cleared

bit 7-6 **Unimplemented:** Read as '0'

bit 5-0 **ANSA<5:0>:** Analog Select between Analog or Digital Function on pins RA<5:0>
1 = Analog input. Pin is assigned as analog input⁽¹⁾. Digital input buffer disabled.
0 = Digital I/O. Pin is assigned to port or digital special function.

Note 1: When setting a pin to an analog input, the corresponding TRIS bit must be set to Input mode in order to allow external control of the voltage on the pin.

REGISTER 11-5: WPUA: WEAK PULL-UP PORTA REGISTER

R/W-1/1	R/W-1/1	R/W-1/1	R/W-1/1	R/W-1/1	R/W-1/1	R/W-1/1	R/W-1/1
WPUA7	WPUA6	WPUA5	WPUA4	WPUA3	WPUA2	WPUA1	WPUA0
bit 7							bit 0

Legend:

R = Readable bit W = Writable bit U = Unimplemented bit, read as '0'
u = Bit is unchanged x = Bit is unknown -n/n = Value at POR and BOR/Value at all other Resets
'1' = Bit is set '0' = Bit is cleared

bit 7-0 **WPUA<7:0>:** Weak Pull-up Register bits^{(1),(2)}
1 = Pull-up enabled
0 = Pull-up disabled

Note 1: Global $\overline{\text{WPUEN}}$ bit of the OPTION_REG register must be cleared for individual pull-ups to be enabled.

2: The weak pull-up device is automatically disabled if the pin is configured as an output.

PIC16(L)F1777/8/9

REGISTER 11-6: ODCONA: PORTA OPEN-DRAIN CONTROL REGISTER

R/W-0/0	R/W-0/0	R/W-0/0	R/W-0/0	R/W-0/0	R/W-0/0	R/W-0/0	R/W-0/0
ODA7	ODA6	ODA5	ODA4	ODA3	ODA2	ODA1	ODA0
bit 7							bit 0

Legend:

R = Readable bit W = Writable bit U = Unimplemented bit, read as '0'
u = Bit is unchanged x = Bit is unknown -n/n = Value at POR and BOR/Value at all other Resets
'1' = Bit is set '0' = Bit is cleared

bit 7-0 **ODA<7:0>**: PORTA Open-Drain Enable bits
For RA<7:0> pins
1 = Port pin operates as open-drain drive (sink current only)
0 = Port pin operates as standard push-pull drive (source and sink current)

REGISTER 11-7: SLRCONA: PORTA SLEW RATE CONTROL REGISTER

R/W-1/1	R/W-1/1	R/W-1/1	R/W-1/1	R/W-1/1	R/W-1/1	R/W-1/1	R/W-1/1
SLRA7	SLRA6	SLRA5	SLRA4	SLRA3	SLRA2	SLRA1	SLRA0
bit 7							bit 0

Legend:

R = Readable bit W = Writable bit U = Unimplemented bit, read as '0'
u = Bit is unchanged x = Bit is unknown -n/n = Value at POR and BOR/Value at all other Resets
'1' = Bit is set '0' = Bit is cleared

bit 7-0 **SLRA<7:0>**: PORTA Slew Rate Enable bits
For RA<7:0> pins
1 = Port pin slew rate is limited
0 = Port pin slews at maximum rate

REGISTER 11-8: INLVLA: PORTA INPUT LEVEL CONTROL REGISTER

R/W-0/0	R/W-0/0	R/W-0/0	R/W-0/0	R/W-0/0	R/W-0/0	R/W-0/0	R/W-0/0
INLVLA7	INLVLA6	INLVLA5	INLVLA4	INLVLA3	INLVLA2	INLVLA1	INLVLA0
bit 7							bit 0

Legend:

R = Readable bit W = Writable bit U = Unimplemented bit, read as '0'
u = Bit is unchanged x = Bit is unknown -n/n = Value at POR and BOR/Value at all other Resets
'1' = Bit is set '0' = Bit is cleared

bit 7-0 **INLVLA<7:0>**: PORTA Input Level Select bits
For RA<7:0> pins
1 = Port pin digital input operates with ST thresholds
0 = Port pin digital input operates with TTL thresholds

TABLE 11-2: SUMMARY OF REGISTERS ASSOCIATED WITH PORTA

Name	Bit 7	Bit 6	Bit 5	Bit 4	Bit 3	Bit 2	Bit 1	Bit 0	Register on Page
ANSELA	—	—	ANSA5	ANSA4	ANSA3	ANSA2	ANSA1	ANSA0	177
INLVLA	INLVLA7	INLVLA6	INLVLA5	INLVLA4	INLVLA3	INLVLA2	INLVLA1	INLVLA0	178
LATA	LATA7	LATA6	LATA5	LATA4	LATA3	LATA2	LATA1	LATA0	176
ODCONA	ODA7	ODA6	ODA5	ODA4	ODA3	ODA2	ODA1	ODA0	178
OPTION_REG	WPUEN	INTEDG	TMR0CS	TMR0SE	PSA	PS<2:0>			274
PORTA	RA7	RA6	RA5	RA4	RA3	RA2	RA1	RA0	176
SLRCONA	SLRA7	SLRA6	SLRA5	SLRA4	SLRA3	SLRA2	SLRA1	SLRA0	178
TRISA	TRISA7	TRISA6	TRISA5	TRISA4	TRISA3	TRISA2	TRISA1	TRISA0	176
WPUA	WPUA7	WPUA6	WPUA5	WPUA4	WPUA3	WPUA2	WPUA1	WPUA0	177

Legend: x = unknown, u = unchanged, — = unimplemented locations read as '0'. Shaded cells are not used by PORTA.

TABLE 11-3: SUMMARY OF CONFIGURATION WORD WITH PORTA

Name	Bits	Bit -/7	Bit -/6	Bit 13/5	Bit 12/4	Bit 11/3	Bit 10/2	Bit 9/1	Bit 8/0	Register on Page
CONFIG1	13:8	—	—	FCMEN	IESO	CLKOUTEN	BOREN<1:0>	—	95	
	7:0	CP	MCLRE	PWRTE	WDTE<1:0>	FOSC<2:0>				

Legend: — = unimplemented location, read as '0'. Shaded cells are not used by PORTA.

PIC16(L)F1777/8/9

11.3 PORTB Registers

11.3.1 DATA REGISTER

PORTB is an 8-bit wide, bidirectional port. The corresponding data direction register is TRISB (Register 11-10). Setting a TRISB bit (= 1) will make the corresponding PORTB pin an input (i.e., put the corresponding output driver in a High-Impedance mode). Clearing a TRISB bit (= 0) will make the corresponding PORTB pin an output (i.e., enable the output driver and put the contents of the output latch on the selected pin). Example 11-1 shows how to initialize an I/O port.

Reading the PORTB register (Register 11-9) reads the status of the pins, whereas writing to it will write to the PORT latch. All write operations are read-modify-write operations. Therefore, a write to a port implies that the port pins are read, this value is modified and then written to the PORT data latch (LATB).

11.3.2 DIRECTION CONTROL

The TRISB register (Register 11-10) controls the PORTB pin output drivers, even when they are being used as analog inputs. The user should ensure the bits in the TRISB register are maintained set when using them as analog inputs. I/O pins configured as analog inputs always read '0'.

11.3.3 OPEN-DRAIN CONTROL

The ODCONB register (Register 11-14) controls the open-drain feature of the port. Open-drain operation is independently selected for each pin. When an ODCONB bit is set, the corresponding port output becomes an open-drain driver capable of sinking current only. When an ODCONB bit is cleared, the corresponding port output pin is the standard push-pull drive capable of sourcing and sinking current.

11.3.4 SLEW RATE CONTROL

The SLRCONB register (Register 11-15) controls the slew rate option for each port pin. Slew rate control is independently selectable for each port pin. When an SLRCONB bit is set, the corresponding port pin drive is slew rate limited. When an SLRCONB bit is cleared, The corresponding port pin drive slews at the maximum rate possible.

11.3.5 INPUT THRESHOLD CONTROL

The INLVLB register (Register 11-16) controls the input voltage threshold for each of the available PORTB input pins. A selection between the Schmitt Trigger CMOS or the TTL Compatible thresholds is available. The input threshold is important in determining the value of a read of the PORTB register and also the level at which an interrupt-on-change occurs, if that feature is enabled. See Table 36-4: I/O Ports for more information on threshold levels.

Note: Changing the input threshold selection should be performed while all peripheral modules are disabled. Changing the threshold level during the time a module is active may inadvertently generate a transition associated with an input pin, regardless of the actual voltage level on that pin.

11.3.6 ANALOG CONTROL

The ANSELB register (Register 11-12) is used to configure the Input mode of an I/O pin to analog. Setting the appropriate ANSELB bit high will cause all digital reads on the pin to be read as '0' and allow analog functions on the pin to operate correctly.

The state of the ANSELB bits has no effect on digital output functions. A pin with TRIS clear and ANSELB set will still operate as a digital output, but the Input mode will be analog. This can cause unexpected behavior when executing read-modify-write instructions on the affected port.

Note: The ANSELB bits default to the Analog mode after reset. To use any pins as digital general purpose or peripheral inputs, the corresponding ANSEL bits must be initialized to '0' by user software.

11.3.7 PORTB FUNCTIONS AND OUTPUT PRIORITIES

Each pin defaults to the PORT latch data after reset. Other functions are selected with the peripheral pin select logic. See Section 12.0 "Peripheral Pin Select (PPS) Module" for more information. Analog input functions, such as ADC and op amp inputs, are not shown in the peripheral pin select lists. These inputs are active when the I/O pin is set for Analog mode using the ANSELB register. Digital output functions may continue to control the pin when it is in Analog mode.

11.3.8 HIGH CURRENT DRIVE CONTROL

The output drivers on RB1 and RB0 are capable of sourcing and sinking up to 100 mA. This extra drive capacity can be enabled and disabled with the control bits in the HIDRVB register (Register 11-17).

11.4 Register Definitions: PORTB

REGISTER 11-9: PORTB: PORTB REGISTER

R/W-x/u	R/W-x/u	R/W-x/u	R/W-x/u	R/W-x/u	R/W-x/u	R/W-x/u	R/W-x/u
RB7	RB6	RB5	RB4	RB3	RB2	RB1	RB0
bit 7							bit 0

Legend:

R = Readable bit W = Writable bit U = Unimplemented bit, read as '0'
u = Bit is unchanged x = Bit is unknown -n/n = Value at POR and BOR/Value at all other Resets
'1' = Bit is set '0' = Bit is cleared

bit 7-0 **RB<7:0>**: PORTB General Purpose I/O Pin bits⁽¹⁾
1 = Port pin is \geq VIH
0 = Port pin is \leq VIL

Note 1: Writes to PORTB are actually written to corresponding LATB register. Reads from PORTB register is return of actual I/O pin values.

REGISTER 11-10: TRISB: PORTB TRI-STATE REGISTER

R/W-1/1	R/W-1/1	R/W-1/1	R/W-1/1	R/W-1/1	R/W-1/1	R/W-1/1	R/W-1/1
TRISB7	TRISB6	TRISB5	TRISB4	TRISB3	TRISB2	TRISB1	TRISB0
bit 7							bit 0

Legend:

R = Readable bit W = Writable bit U = Unimplemented bit, read as '0'
u = Bit is unchanged x = Bit is unknown -n/n = Value at POR and BOR/Value at all other Resets
'1' = Bit is set '0' = Bit is cleared

bit 7-0 **TRISB<7:0>**: PORTB Tri-State Control bits
1 = PORTB pin configured as an input (tri-stated)
0 = PORTB pin configured as an output

REGISTER 11-11: LATB: PORTB DATA LATCH REGISTER

R/W-x/u	R/W-x/u	R/W-x/u	R/W-x/u	R/W-x/u	R/W-x/u	R/W-x/u	R/W-x/u
LATB7	LATB6	LATB5	LATB4	LATB3	LATB2	LATB1	LATB0
bit 7							bit 0

Legend:

R = Readable bit W = Writable bit U = Unimplemented bit, read as '0'
u = Bit is unchanged x = Bit is unknown -n/n = Value at POR and BOR/Value at all other Resets
'1' = Bit is set '0' = Bit is cleared

bit 7-0 **LATB<7:0>**: PORTB Output Latch Value bits⁽¹⁾

Note 1: Writes to PORTB are actually written to corresponding LATB register. Reads from PORTB register is return of actual I/O pin values.

PIC16(L)F1777/8/9

REGISTER 11-12: ANSELB: PORTB ANALOG SELECT REGISTER

U-0	U-0	R/W-1/1	R/W-1/1	R/W-1/1	R/W-1/1	R/W-1/1	R/W-1/1
—	—	ANSB5	ANSB4	ANSB3	ANSB2	ANSB1	ANSB0
bit 7							bit 0

Legend:

R = Readable bit W = Writable bit U = Unimplemented bit, read as '0'
u = Bit is unchanged x = Bit is unknown -n/n = Value at POR and BOR/Value at all other Resets
'1' = Bit is set '0' = Bit is cleared

bit 7-6 **Unimplemented:** Read as '0'

bit 5-0 **ANSB<5:0>:** Analog Select between Analog or Digital Function on pins RB<5:0>
1 = Analog input. Pin is assigned as analog input⁽¹⁾. Digital input buffer disabled.
0 = Digital I/O. Pin is assigned to port or digital special function.

Note 1: When setting a pin to an analog input, the corresponding TRIS bit must be set to Input mode in order to allow external control of the voltage on the pin.

REGISTER 11-13: WPUB: WEAK PULL-UP PORTB REGISTER

R/W-1/1	R/W-1/1	R/W-1/1	R/W-1/1	R/W-1/1	R/W-1/1	R/W-1/1	R/W-1/1
WPUB7	WPUB6	WPUB5	WPUB4	WPUB3	WPUB2	WPUB1	WPUB0
bit 7							bit 0

Legend:

R = Readable bit W = Writable bit U = Unimplemented bit, read as '0'
u = Bit is unchanged x = Bit is unknown -n/n = Value at POR and BOR/Value at all other Resets
'1' = Bit is set '0' = Bit is cleared

bit 7-4 **WPUB<7:0>:** Weak Pull-up Register bits^(1,2)
1 = Pull-up enabled
0 = Pull-up disabled

Note 1: Global $\overline{\text{WPUEN}}$ bit of the OPTION_REG register must be cleared for individual pull-ups to be enabled.

Note 2: The weak pull-up device is automatically disabled if the pin is configured as an output.

REGISTER 11-14: ODCONB: PORTB OPEN-DRAIN CONTROL REGISTER

R/W-0/0	R/W-0/0	R/W-0/0	R/W-0/0	R/W-0/0	R/W-0/0	R/W-0/0	R/W-0/0
ODB7	ODB6	ODB5	ODB4	ODB3	ODB2	ODB1	ODB0
bit 7							bit 0

Legend:

R = Readable bit W = Writable bit U = Unimplemented bit, read as '0'
u = Bit is unchanged x = Bit is unknown -n/n = Value at POR and BOR/Value at all other Resets
'1' = Bit is set '0' = Bit is cleared

bit 7-0 **ODB<7:0>**: PORTB Open-Drain Enable bits
For RB<7:0> pins
1 = Port pin operates as open-drain drive (sink current only)
0 = Port pin operates as standard push-pull drive (source and sink current)

REGISTER 11-15: SLRCONB: PORTB SLEW RATE CONTROL REGISTER

R/W-1/1	R/W-1/1	R/W-1/1	R/W-1/1	R/W-1/1	R/W-1/1	R/W-1/1	R/W-1/1
SLRB7	SLRB6	SLRB5	SLRB4	SLRB3	SLRB2	SLRB1	SLRB0
bit 7							bit 0

Legend:

R = Readable bit W = Writable bit U = Unimplemented bit, read as '0'
u = Bit is unchanged x = Bit is unknown -n/n = Value at POR and BOR/Value at all other Resets
'1' = Bit is set '0' = Bit is cleared

bit 7-0 **SLRB<7:0>**: PORTB Slew Rate Enable bits
For RB<7:0> pins
1 = Port pin slew rate is limited
0 = Port pin slews at maximum rate

REGISTER 11-16: INLVLB: PORTB INPUT LEVEL CONTROL REGISTER

R/W-0/0	R/W-0/0	R/W-0/0	R/W-0/0	R/W-0/0	R/W-0/0	R/W-0/0	R/W-0/0
INLVLB7	INLVLB6	INLVLB5	INLVLB4	INLVLB3	INLVLB2	INLVLB1	INLVLB0
bit 7							bit 0

Legend:

R = Readable bit W = Writable bit U = Unimplemented bit, read as '0'
u = Bit is unchanged x = Bit is unknown -n/n = Value at POR and BOR/Value at all other Resets
'1' = Bit is set '0' = Bit is cleared

bit 7-0 **INLVLB<7:0>**: PORTB Input Level Select bits
For RB<7:0> pins
1 = Port pin digital input operates with ST thresholds
0 = Port pin digital input operates with TTL thresholds

PIC16(L)F1777/8/9

REGISTER 11-17: HIDRVB: PORTB HIGH DRIVE CONTROL REGISTER

U-0	U-0	U-0	U-0	U-0	U-0	R/W-0/0	R/W-0/0
—	—	—	—	—	—	HIDB1	HIDB0
bit 7						bit 0	

Legend:

R = Readable bit W = Writable bit U = Unimplemented bit, read as '0'
u = Bit is unchanged x = Bit is unknown -n/n = Value at POR and BOR/Value at all other Resets
'1' = Bit is set '0' = Bit is cleared

bit 7-2 **Unimplemented:** Read as '0'
bit 1-0 **HIDB<1:0>:** PORTB High Drive Enable bits
For RB<1:0> pins
1 = High current source and sink enabled
0 = Standard current source and sink

TABLE 11-4: SUMMARY OF REGISTERS ASSOCIATED WITH PORTB

Name	Bit 7	Bit 6	Bit 5	Bit 4	Bit 3	Bit 2	Bit 1	Bit 0	Register on Page
ANSELB	—	—	ANSB5	ANSB4	ANSB3	ANSB2	ANSB1	ANSB0	182
HIDRVB	—	—	—	—	—	—	HIDB1	HIDB0	184
INLVLB	INLVLB7	INLVLB6	INLVLB5	INLVLB4	INLVLB3	INLVLB2	INLVLB1	INLVLB0	183
LATB	LATB7	LATB6	LATB5	LATB4	LATB3	LATB2	LATB1	LATB0	181
ODCONB	ODB7	ODB6	ODB5	ODB4	ODB3	ODB2	ODB1	ODB0	183
PORTB	RB7	RB6	RB5	RB4	RB3	RB2	RB1	RB0	181
SLRCONB	SLRB7	SLRB6	SLRB5	SLRB4	SLRB3	SLRB2	SLRB1	SLRB0	183
TRISB	TRISB7	TRISB6	TRISB5	TRISB4	TRISB3	TRISB2	TRISB1	TRISB0	183
WPUB	WPUB7	WPUB6	WPUB5	WPUB4	WPUB3	WPUB2	WPUB1	WPUB0	182

Legend: x = unknown, u = unchanged, - = unimplemented locations read as '0'. Shaded cells are not used by PORTB.

11.5 PORTC Registers

11.5.1 DATA REGISTER

PORTC is an 8-bit wide bidirectional port in the PIC16(L)F1777/8/9 devices. The corresponding data direction register is TRISC (Register 11-19). Setting a TRISC bit (= 1) will make the corresponding PORTC pin an input (i.e., put the corresponding output driver in a High-Impedance mode). Clearing a TRISC bit (= 0) will make the corresponding PORTC pin an output (i.e., enable the output driver and put the contents of the output latch on the selected pin). Example 11-1 shows how to initialize an I/O port.

Reading the PORTC register (Register 11-18) reads the status of the pins, whereas writing to it will write to the PORT latch. All write operations are read-modify-write operations. Therefore, a write to a port implies that the port pins are read, this value is modified and then written to the PORT data latch (LATC).

11.5.2 DIRECTION CONTROL

The TRISC register (Register 11-19) controls the PORTC pin output drivers, even when they are being used as analog inputs. The user should ensure the bits in the TRISC register are maintained set when using them as analog inputs. I/O pins configured as analog inputs always read '0'.

11.5.3 INPUT THRESHOLD CONTROL

The INLVLC register (Register 11-25) controls the input voltage threshold for each of the available PORTC input pins. A selection between the Schmitt Trigger CMOS or the TTL Compatible thresholds is available. The input threshold is important in determining the value of a read of the PORTC register and also the level at which an interrupt-on-change occurs, if that feature is enabled. See Table 36-4: I/O Ports for more information on threshold levels.

Note: Changing the input threshold selection should be performed while all peripheral modules are disabled. Changing the threshold level during the time a module is active may inadvertently generate a transition associated with an input pin, regardless of the actual voltage level on that pin.

11.5.4 OPEN-DRAIN CONTROL

The ODCONC register (Register 11-23) controls the open-drain feature of the port. Open-drain operation is independently selected for each pin. When an ODCONC bit is set, the corresponding port output becomes an open-drain driver capable of sinking current only. When an ODCONC bit is cleared, the corresponding port output pin is the standard push-pull drive capable of sourcing and sinking current.

11.5.5 SLEW RATE CONTROL

The SLRCONC register (Register 11-24) controls the slew rate option for each port pin. Slew rate control is independently selectable for each port pin. When an SLRCONC bit is set, the corresponding port pin drive is slew rate limited. When an SLRCONC bit is cleared, the corresponding port pin drive slews at the maximum rate possible.

11.5.6 ANALOG CONTROL

The ANSEL register (Register 11-21) is used to configure the Input mode of an I/O pin to analog. Setting the appropriate ANSEL bit high will cause all digital reads on the pin to be read as '0' and allow analog functions on the pin to operate correctly.

The state of the ANSEL bits has no effect on digital output functions. A pin with TRIS clear and ANSEL set will still operate as a digital output, but the Input mode will be analog. This can cause unexpected behavior when executing read-modify-write instructions on the affected port.

Note: The ANSEL bits default to the Analog mode after reset. To use any pins as digital general purpose or peripheral inputs, the corresponding ANSEL bits must be initialized to '0' by user software.

11.5.7 PORTC FUNCTIONS AND OUTPUT PRIORITIES

Each pin defaults to the PORT latch data after reset. Other functions are selected with the peripheral pin select logic. See Section 12.0 "Peripheral Pin Select (PPS) Module" for more information.

Analog input functions, such as ADC and comparator inputs, are not shown in the peripheral pin select lists. These inputs are active when the I/O pin is set for Analog mode using the ANSEL register. Digital output functions may continue to control the pin when it is in Analog mode.

PIC16(L)F1777/8/9

11.6 Register Definitions: PORTC

REGISTER 11-18: PORTC: PORTC REGISTER

R/W-x/u	R/W-x/u	R/W-x/u	R/W-x/u	R/W-x/u	R/W-x/u	R/W-x/u	R/W-x/u
RC7	RC6	RC5	RC4	RC3	RC2	RC1	RC0
bit 7							bit 0

Legend:

R = Readable bit W = Writable bit U = Unimplemented bit, read as '0'
u = Bit is unchanged x = Bit is unknown -n/n = Value at POR and BOR/Value at all other Resets
'1' = Bit is set '0' = Bit is cleared

bit 7-0 **RC<7:0>**: PORTC General Purpose I/O Pin bits⁽¹⁾
1 = Port pin is $\geq V_{IH}$
0 = Port pin is $\leq V_{IL}$

Note 1: Writes to PORTC are actually written to corresponding LATC register. Reads from PORTC register is return of actual I/O pin values.

REGISTER 11-19: TRISC: PORTC TRI-STATE REGISTER

R/W-1/1	R/W-1/1	R/W-1/1	R/W-1/1	R/W-1/1	R/W-1/1	R/W-1/1	R/W-1/1
TRISC7	TRISC6	TRISC5	TRISC4	TRISC3	TRISC2	TRISC1	TRISC0
bit 7							bit 0

Legend:

R = Readable bit W = Writable bit U = Unimplemented bit, read as '0'
u = Bit is unchanged x = Bit is unknown -n/n = Value at POR and BOR/Value at all other Resets
'1' = Bit is set '0' = Bit is cleared

bit 7-0 **TRISC<7:0>**: PORTC Tri-State Control bits
1 = PORTC pin configured as an input (tri-stated)
0 = PORTC pin configured as an output

REGISTER 11-20: LATC: PORTC DATA LATCH REGISTER

R/W-x/u	R/W-x/u	R/W-x/u	R/W-x/u	R/W-x/u	R/W-x/u	R/W-x/u	R/W-x/u
LATC7	LATC6	LATC5	LATC4	LATC3	LATC2	LATC1	LATC0
bit 7							bit 0

Legend:

R = Readable bit	W = Writable bit	U = Unimplemented bit, read as '0'
u = Bit is unchanged	x = Bit is unknown	-n/n = Value at POR and BOR/Value at all other Resets
'1' = Bit is set	'0' = Bit is cleared	

bit 7-0 **LATC<7:0>**: PORTC Output Latch Value bits

REGISTER 11-21: ANSEL: PORTC ANALOG SELECT REGISTER

R/W-1/1	R/W-1/1	R/W-1/1	R/W-1/1	R/W-1/1	R/W-1/1	U-0	U-0
ANSC7	ANSC6	ANSC5	ANSC4	ANSC3	ANSC2	—	—
bit 7							bit 0

Legend:

R = Readable bit	W = Writable bit	U = Unimplemented bit, read as '0'
u = Bit is unchanged	x = Bit is unknown	-n/n = Value at POR and BOR/Value at all other Resets
'1' = Bit is set	'0' = Bit is cleared	

bit 7-2 **ANSC<7:2>**: Analog Select between Analog or Digital Function on pins RC<7:2>⁽¹⁾
 1 = Analog input. Pin is assigned as analog input⁽¹⁾. Digital input buffer disabled.
 0 = Digital I/O. Pin is assigned to port or digital special function.

bit 1-0 **Unimplemented**: Read as '0'

Note 1: When setting a pin to an analog input, the corresponding TRIS bit must be set to Input mode in order to allow external control of the voltage on the pin.

PIC16(L)F1777/8/9

REGISTER 11-22: WPUC: WEAK PULL-UP PORTC REGISTER

R/W-1/1	R/W-1/1	R/W-1/1	R/W-1/1	R/W-1/1	R/W-1/1	R/W-1/1	R/W-1/1
WPUC7	WPUC6	WPUC5	WPUC4	WPUC3	WPUC2	WPUC1	WPUC0
bit 7							bit 0

Legend:

R = Readable bit W = Writable bit U = Unimplemented bit, read as '0'
u = Bit is unchanged x = Bit is unknown -n/n = Value at POR and BOR/Value at all other Resets
'1' = Bit is set '0' = Bit is cleared

bit 7-0 **WPUC<7:0>**: Weak Pull-up Register bits^(1, 2)
 1 = Pull-up enabled
 0 = Pull-up disabled

Note 1: Global WPUEN bit of the OPTION_REG register must be cleared for individual pull-ups to be enabled.
2: The weak pull-up device is automatically disabled if the pin is configured as an output.

REGISTER 11-23: ODCONC: PORTC OPEN-DRAIN CONTROL REGISTER

R/W-0/0	R/W-0/0	R/W-0/0	R/W-0/0	R/W-0/0	R/W-0/0	R/W-0/0	R/W-0/0
ODC7	ODC6	ODC5	ODC4	ODC3	ODC2	ODC1	ODC0
bit 7							bit 0

Legend:

R = Readable bit W = Writable bit U = Unimplemented bit, read as '0'
u = Bit is unchanged x = Bit is unknown -n/n = Value at POR and BOR/Value at all other Resets
'1' = Bit is set '0' = Bit is cleared

bit 7-0 **ODC<7:0>**: PORTC Open-Drain Enable bits
 For RC<7:0> pins
 1 = Port pin operates as open-drain drive (sink current only)
 0 = Port pin operates as standard push-pull drive (source and sink current)

REGISTER 11-24: SLRCONC: PORTC SLEW RATE CONTROL REGISTER

R/W-1/1	R/W-1/1	R/W-1/1	R/W-1/1	R/W-1/1	R/W-1/1	R/W-1/1	R/W-1/1
SLRC7	SLRC6	SLRC5	SLRC4	SLRC3	SLRC2	SLRC1	SLRC0
bit 7							bit 0

Legend:

R = Readable bit W = Writable bit U = Unimplemented bit, read as '0'
 u = Bit is unchanged x = Bit is unknown -n/n = Value at POR and BOR/Value at all other Resets
 '1' = Bit is set '0' = Bit is cleared

bit 7-0 **SLRC<7:0>**: PORTC Slew Rate Enable bits
 For RC<7:0> pins
 1 = Port pin slew rate is limited
 0 = Port pin slews at maximum rate

REGISTER 11-25: INLVLC: PORTC INPUT LEVEL CONTROL REGISTER

R/W-1/1	R/W-1/1	R/W-1/1	R/W-1/1	R/W-1/1	R/W-1/1	R/W-1/1	R/W-1/1
INLVLC7	INLVLC6	INLVLC5	INLVLC4	INLVLC3	INLVLC2	INLVLC1	INLVLC0
bit 7							bit 0

Legend:

R = Readable bit W = Writable bit U = Unimplemented bit, read as '0'
 u = Bit is unchanged x = Bit is unknown -n/n = Value at POR and BOR/Value at all other Resets
 '1' = Bit is set '0' = Bit is cleared

bit 7-0 **INLVLC<7:0>**: PORTC Input Level Select bits
 For RC<7:0> pins
 1 = Port pin digital input operates with ST thresholds
 0 = Port pin digital input operates with TTL thresholds

PIC16(L)F1777/8/9

TABLE 11-5: SUMMARY OF REGISTERS ASSOCIATED WITH PORTC

Name	Bit 7	Bit 6	Bit 5	Bit 4	Bit 3	Bit 2	Bit 1	Bit 0	Register on Page
ANSEL	ANSC7	ANSC6	ANSC5	ANSC4	ANSC3	ANSC2	—	—	187
INLVLC	INLVLC7	INLVLC6	INLVLC5	INLVLC4	INLVLC3	INLVLC2	INLVLC1	INLVLC0	189
LATC	LATC7	LATC6	LATC5	LATC4	LATC3	LATC2	LATC1	LATC0	187
ODCONC	ODC7	ODC6	ODC5	ODC4	ODC3	ODC2	ODC1	ODC0	188
PORTC	RC7	RC6	RC5	RC4	RC3	RC2	RC1	RC0	186
SLRCONC	SLRC7	SLRC6	SLRC5	SLRC4	SLRC3	SLRC2	SLRC1	SLRC0	189
TRISC	TRISC7	TRISC6	TRISC5	TRISC4	TRISC3	TRISC2	TRISC1	TRISC0	186
WPUC	WPUC7	WPUC6	WPUC5	WPUC4	WPUC3	WPUC2	WPUC1	WPUC0	188

Legend: x = unknown, u = unchanged, - = unimplemented locations read as '0'. Shaded cells are not used by PORTC.

11.7 PORTD Registers (PIC16(L)F1777/9 only)

11.7.1 DATA REGISTER

PORTD is an 8-bit wide bidirectional port in the PIC16(L)F1777/8/9 devices. The corresponding data direction register is TRISD (Register 11-27). Setting a TRISD bit (= 1) will make the corresponding PORTD pin an input (i.e., put the corresponding output driver in a High-Impedance mode). Clearing a TRISD bit (= 0) will make the corresponding PORTD pin an output (i.e., enable the output driver and put the contents of the output latch on the selected pin). Example 11-1 shows how to initialize an I/O port.

Reading the PORTD register (Register 11-26) reads the status of the pins, whereas writing to it will write to the PORT latch. All write operations are read-modify-write operations. Therefore, a write to a port implies that the port pins are read, this value is modified and then written to the PORT data latch (LATD).

11.7.2 DIRECTION CONTROL

The TRISD register (Register 11-27) controls the PORTD pin output drivers, even when they are being used as analog inputs. The user should ensure the bits in the TRISD register are maintained set when using them as analog inputs. I/O pins configured as analog inputs always read '0'.

11.7.3 INPUT THRESHOLD CONTROL

The INLVLD register (Register 11-33) controls the input voltage threshold for each of the available PORTD input pins. A selection between the Schmitt Trigger CMOS or the TTL Compatible thresholds is available. The input threshold is important in determining the value of a read of the PORTD register and also the level at which an interrupt-on-change occurs, if that feature is enabled. See Table 36-4: I/O Ports for more information on threshold levels.

Note: Changing the input threshold selection should be performed while all peripheral modules are disabled. Changing the threshold level during the time a module is active may inadvertently generate a transition associated with an input pin, regardless of the actual voltage level on that pin.

11.7.4 OPEN-DRAIN CONTROL

The ODCOND register (Register 11-31) controls the open-drain feature of the port. Open-drain operation is independently selected for each pin. When an ODCOND bit is set, the corresponding port output becomes an open-drain driver capable of sinking current only. When an ODCOND bit is cleared, the corresponding port output pin is the standard push-pull drive capable of sourcing and sinking current.

11.7.5 SLEW RATE CONTROL

The SLRCOND register (Register 11-32) controls the slew rate option for each port pin. Slew rate control is independently selectable for each port pin. When an SLRCOND bit is set, the corresponding port pin drive is slew rate limited. When an SLRCOND bit is cleared, the corresponding port pin drive slews at the maximum rate possible.

11.7.6 ANALOG CONTROL

The ANSEL register (Register 11-29) is used to configure the Input mode of an I/O pin to analog. Setting the appropriate ANSEL bit high will cause all digital reads on the pin to be read as '0' and allow analog functions on the pin to operate correctly.

The state of the ANSEL bits has no effect on digital output functions. A pin with TRIS clear and ANSEL set will still operate as a digital output, but the Input mode will be analog. This can cause unexpected behavior when executing read-modify-write instructions on the affected port.

Note: The ANSEL bits default to the Analog mode after reset. To use any pins as digital general purpose or peripheral inputs, the corresponding ANSEL bits must be initialized to '0' by user software.

11.7.7 PORTD FUNCTIONS AND OUTPUT PRIORITIES

Each pin defaults to the PORT latch data after reset. Other functions are selected with the peripheral pin select logic. See Section 12.0 "Peripheral Pin Select (PPS) Module" for more information.

Analog input functions, such as ADC and comparator inputs, are not shown in the peripheral pin select lists. These inputs are active when the I/O pin is set for Analog mode using the ANSEL register. Digital output functions may continue to control the pin when it is in Analog mode.

PIC16(L)F1777/8/9

11.8 Register Definitions: PORTD

REGISTER 11-26: PORTD: PORTD REGISTER

R/W-x/u	R/W-x/u	R/W-x/u	R/W-x/u	R/W-x/u	R/W-x/u	R/W-x/u	R/W-x/u
RD7	RD6	RD5	RD4	RD3	RD2	RD1	RD0
bit 7							bit 0

Legend:

R = Readable bit W = Writable bit U = Unimplemented bit, read as '0'
u = Bit is unchanged x = Bit is unknown -n/n = Value at POR and BOR/Value at all other Resets
'1' = Bit is set '0' = Bit is cleared

bit 7-0 **RD<7:0>**: PORTD General Purpose I/O Pin bits⁽¹⁾
1 = Port pin is $\geq V_{IH}$
0 = Port pin is $\leq V_{IL}$

Note 1: Writes to PORTD are actually written to corresponding LATD register. Reads from PORTD register is return of actual I/O pin values.

REGISTER 11-27: TRISD: PORTD TRI-STATE REGISTER

R/W-1/1	R/W-1/1	R/W-1/1	R/W-1/1	R/W-1/1	R/W-1/1	R/W-1/1	R/W-1/1
TRISD7	TRISD6	TRISD5	TRISD4	TRISD3	TRISD2	TRISD1	TRISD0
bit 7							bit 0

Legend:

R = Readable bit W = Writable bit U = Unimplemented bit, read as '0'
u = Bit is unchanged x = Bit is unknown -n/n = Value at POR and BOR/Value at all other Resets
'1' = Bit is set '0' = Bit is cleared

bit 7-0 **TRISD<7:0>**: PORTD Tri-State Control bits
1 = PORTD pin configured as an input (tri-stated)
0 = PORTD pin configured as an output

REGISTER 11-28: LATD: PORTD DATA LATCH REGISTER

R/W-x/u	R/W-x/u	R/W-x/u	R/W-x/u	R/W-x/u	R/W-x/u	R/W-x/u	R/W-x/u
LATD7	LATD6	LATD5	LATD4	LATD3	LATD2	LATD1	LATD0
bit 7							bit 0

Legend:

R = Readable bit	W = Writable bit	U = Unimplemented bit, read as '0'
u = Bit is unchanged	x = Bit is unknown	-n/n = Value at POR and BOR/Value at all other Resets
'1' = Bit is set	'0' = Bit is cleared	

bit 7-0 **LATD<7:0>**: PORTD Output Latch Value bits

REGISTER 11-29: ANSEL: PORTD ANALOG SELECT REGISTER

R/W-1/1	R/W-1/1	R/W-1/1	R/W-1/1	R/W-1/1	R/W-1/1	R/W-1/1	R/W-1/1
ANS7	ANS6	ANS5	ANS4	ANS3	ANS2	ANS1	ANS0
bit 7							bit 0

Legend:

R = Readable bit	W = Writable bit	U = Unimplemented bit, read as '0'
u = Bit is unchanged	x = Bit is unknown	-n/n = Value at POR and BOR/Value at all other Resets
'1' = Bit is set	'0' = Bit is cleared	

bit 7-0 **ANS<7:0>**: Analog Select between Analog or Digital Function on pins RD<7:0>⁽¹⁾
 1 = Analog input. Pin is assigned as analog input⁽¹⁾. Digital input buffer disabled.
 0 = Digital I/O. Pin is assigned to port or digital special function.

Note 1: When setting a pin to an analog input, the corresponding TRIS bit must be set to Input mode in order to allow external control of the voltage on the pin.

PIC16(L)F1777/8/9

REGISTER 11-30: WPUD: WEAK PULL-UP PORTD REGISTER

R/W-1/1	R/W-1/1	R/W-1/1	R/W-1/1	R/W-1/1	R/W-1/1	R/W-1/1	R/W-1/1
WPUD7	WPUD6	WPUD5	WPUD4	WPUD3	WPUD2	WPUD1	WPUD0
bit 7							bit 0

Legend:

R = Readable bit W = Writable bit U = Unimplemented bit, read as '0'
u = Bit is unchanged x = Bit is unknown -n/n = Value at POR and BOR/Value at all other Resets
'1' = Bit is set '0' = Bit is cleared

bit 7-0 **WPUD<7:0>**: Weak Pull-up Register bits^(1, 2)
 1 = Pull-up enabled
 0 = Pull-up disabled

Note 1: Global WPUEN bit of the OPTION_REG register must be cleared for individual pull-ups to be enabled.
2: The weak pull-up device is automatically disabled if the pin is configured as an output.

REGISTER 11-31: ODDCOND: PORTD OPEN-DRAIN CONTROL REGISTER

R/W-0/0	R/W-0/0	R/W-0/0	R/W-0/0	R/W-0/0	R/W-0/0	R/W-0/0	R/W-0/0
ODD7	ODD6	ODD5	ODD4	ODD3	ODD2	ODD1	ODD0
bit 7							bit 0

Legend:

R = Readable bit W = Writable bit U = Unimplemented bit, read as '0'
u = Bit is unchanged x = Bit is unknown -n/n = Value at POR and BOR/Value at all other Resets
'1' = Bit is set '0' = Bit is cleared

bit 7-0 **ODD<7:0>**: PORTD Open-Drain Enable bits
 For RD<7:0> pins
 1 = Port pin operates as open-drain drive (sink current only)
 0 = Port pin operates as standard push-pull drive (source and sink current)

REGISTER 11-32: SLRCOND: PORTD SLEW RATE CONTROL REGISTER

R/W-1/1	R/W-1/1	R/W-1/1	R/W-1/1	R/W-1/1	R/W-1/1	R/W-1/1	R/W-1/1
SLRD7	SLRD6	SLRD5	SLRD4	SLRD3	SLRD2	SLRD1	SLRD0
bit 7							bit 0

Legend:

R = Readable bit	W = Writable bit	U = Unimplemented bit, read as '0'
u = Bit is unchanged	x = Bit is unknown	-n/n = Value at POR and BOR/Value at all other Resets
'1' = Bit is set	'0' = Bit is cleared	

bit 7-0 **SLRD<7:0>**: PORTD Slew Rate Enable bits
 For RD<7:0> pins
 1 = Port pin slew rate is limited
 0 = Port pin slews at maximum rate

REGISTER 11-33: INLVLD: PORTD INPUT LEVEL CONTROL REGISTER

R/W-1/1	R/W-1/1	R/W-1/1	R/W-1/1	R/W-1/1	R/W-1/1	R/W-1/1	R/W-1/1
INLVLD7	INLVLD6	INLVLD5	INLVLD4	INLVLD3	INLVLD2	INLVLD1	INLVLD0
bit 7							bit 0

Legend:

R = Readable bit	W = Writable bit	U = Unimplemented bit, read as '0'
u = Bit is unchanged	x = Bit is unknown	-n/n = Value at POR and BOR/Value at all other Resets
'1' = Bit is set	'0' = Bit is cleared	

bit 7-0 **INLVLD<7:0>**: PORTD Input Level Select bits
 For RD<7:0> pins
 1 = Port pin digital input operates with ST thresholds
 0 = Port pin digital input operates with TTL thresholds

PIC16(L)F1777/8/9

TABLE 11-6: SUMMARY OF REGISTERS ASSOCIATED WITH PORTD⁽¹⁾

Name	Bit 7	Bit 6	Bit 5	Bit 4	Bit 3	Bit 2	Bit 1	Bit 0	Register on Page
ANSEL	ANS7	ANS6	ANS5	ANS4	ANS3	ANS2	ANS1	ANS0	193
INLVLD	INLVLD7	INLVLD6	INLVLD5	INLVLD4	INLVLD3	INLVLD2	INLVLD1	INLVLD0	195
LATD	LATD7	LATD6	LATD5	LATD4	LATD3	LATD2	LATD1	LATD0	193
ODCOND	ODD7	ODD6	ODD5	ODD4	ODD3	ODD2	ODD1	ODD0	194
PORTD	RD7	RD6	RD5	RD4	RD3	RD2	RD1	RD0	195
SLRCOND	SLRD7	SLRD6	SLRD5	SLRD4	SLRD3	SLRD2	SLRD1	SLRD0	195
TRISD	TRISD7	TRISD6	TRISD5	TRISD4	TRISD3	TRISD2	TRISD1	TRISD0	192
WPUD	WPUD7	WPUD6	WPUD5	WPUD4	WPUD3	WPUD2	WPUD1	WPUD0	194

Legend: x = unknown, u = unchanged, - = unimplemented locations read as '0'. Shaded cells are not used by PORTD.

Note 1: PIC16(L)F1777/9 only.

11.9 PORTE Registers

11.9.1 DATA REGISTER

PORTE is a 4-bit wide, bidirectional port. The corresponding data direction register is TRISE. Setting a TRISE bit (= 1) will make the corresponding PORTE pin an input (i.e., put the corresponding output driver in a High-Impedance mode). Clearing a TRISE bit (= 0) will make the corresponding PORTE pin an output (i.e., enable the output driver and put the contents of the output latch on the selected pin). The exception is RE3, which is input only and its TRIS bit will always read as '1'. [Example 11-1](#) shows how to initialize an I/O port.

Reading the PORTE register ([Register 11-34](#)) reads the status of the pins, whereas writing to it will write to the PORT latch. All write operations are read-modify-write operations. Therefore, a write to a port implies that the port pins are read, this value is modified and then written to the PORT data latch (LATE). RE3 reads '0' when MCLRE = 1.

Note: The RE<2:0>, TRISE<2:0>, INLVL<2:0> and WPUE<2:0> pins are available on PIC16(L)F1777/9 only.

11.9.2 DIRECTION CONTROL

The TRISE register ([Register 11-35](#)) controls the PORTE pin output drivers, even when they are being used as analog inputs. The user should ensure the bits in the TRISE register are maintained set when using them as analog inputs. I/O pins configured as analog inputs always read '0'.

11.9.3 INPUT THRESHOLD CONTROL

The INLVLE register ([Register 11-41](#)) controls the input voltage threshold for each of the available PORTE input pins. A selection between the Schmitt Trigger CMOS or the TTL Compatible thresholds is available. The input threshold is important in determining the value of a read of the PORTE register and also the level at which an interrupt-on-change occurs, if that feature is enabled. See [Table 36-4: I/O Ports](#) for more information on threshold levels.

Note: Changing the input threshold selection should be performed while all peripheral modules are disabled. Changing the threshold level during the time a module is active may inadvertently generate a transition associated with an input pin, regardless of the actual voltage level on that pin.

11.9.4 OPEN-DRAIN CONTROL⁽¹⁾

The ODCONE register ([Register 11-39](#)) controls the open-drain feature of the port. Open-drain operation is independently selected for each pin. When an ODCONE bit is set, the corresponding port output becomes an open-drain driver capable of sinking current only. When an ODCONE bit is cleared, the corresponding port output pin is the standard push-pull drive capable of sourcing and sinking current.

Note 1: Implemented on PIC16(L)F1777/9 only.

11.9.5 SLEW RATE CONTROL⁽¹⁾

The SLRCONE register ([Register 11-40](#)) controls the slew rate option for each port pin. Slew rate control is independently selectable for each port pin. When an SLRCONE bit is set, the corresponding port pin drive is slew rate limited. When an SLRCONE bit is cleared, The corresponding port pin drive slews at the maximum rate possible.

Note 1: Implemented on PIC16(L)F1777/9 only.

11.9.6 ANALOG CONTROL⁽¹⁾

The ANSELE register ([Register 11-37](#)) is used to configure the Input mode of an I/O pin to analog. Setting the appropriate ANSELE bit high will cause all digital reads on the pin to be read as '0' and allow analog functions on the pin to operate correctly.

The state of the ANSELE bits has no effect on digital output functions. A pin with TRIS clear and ANSEL set will still operate as a digital output, but the Input mode will be analog. This can cause unexpected behavior when executing read-modify-write instructions on the affected port.

The TRISE register ([Register 11-35](#)) controls the PORTE pin output drivers, even when they are being used as analog inputs. The user should ensure the bits in the TRISE register are maintained set when using them as analog inputs. I/O pins configured as analog input always read '0'.

Note 1: Implemented on PIC16(L)F1777/9 only.

2: The ANSELE bits default to the Analog mode after Reset. To use any pins as digital general purpose or peripheral inputs, the corresponding ANSEL bits must be initialized to '0' by user software.

PIC16(L)F1777/8/9

11.9.7 PORTE FUNCTIONS AND OUTPUT PRIORITIES

Each pin defaults to the PORT latch data after Reset. Other functions are selected with the peripheral pin select logic. See **Section 12.0 “Peripheral Pin Select (PPS) Module”** for more information.

Analog input functions, such as ADC and comparator inputs, are not shown in the peripheral pin select lists. These inputs are active when the I/O pin is set for Analog mode using the ANSELE register. Digital output functions may continue to control the pin when it is in Analog mode.

11.10 Register Definitions: PORTE

REGISTER 11-34: PORTE: PORTE REGISTER

U-0	U-0	U-0	U-0	R-x/u	R/W-x/u	R/W-x/u	R/W-x/u
—	—	—	—	RE3	RE2 ⁽¹⁾	RE1 ⁽¹⁾	RE0 ⁽¹⁾
bit 7							bit 0

Legend:

R = Readable bit	W = Writable bit	U = Unimplemented bit, read as '0'
u = Bit is unchanged	x = Bit is unknown	-n/n = Value at POR and BOR/Value at all other Resets
'1' = Bit is set	'0' = Bit is cleared	

bit 7-4 **Unimplemented:** Read as '0'
bit 3-0 **RE<3:0>:** PORTE I/O Pin bits⁽¹⁾
 1 = Port pin is > V_{IH}
 0 = Port pin is < V_{IL}

Note 1: RE<2:0> are not implemented on the PIC16(L)F1778. Read as '0'. Writes to RE<2:0> are actually written to corresponding LATE register. Reads from PORTE register is the return of actual I/O pin values.

REGISTER 11-35: TRISE: PORTE TRI-STATE REGISTER

U-0	U-0	U-0	U-0	U-1 ⁽²⁾	R/W-1	R/W-1	R/W-1
—	—	—	—	—	TRISE2 ⁽¹⁾	TRISE1 ⁽¹⁾	TRISE0 ⁽¹⁾
bit 7							bit 0

Legend:

R = Readable bit	W = Writable bit	U = Unimplemented bit, read as '0'
u = bit is unchanged	x = Bit is unknown	-n/n = Value at POR and BOR/Value at all other Resets
'1' = Bit is set	'0' = Bit is cleared	

bit 7-4 **Unimplemented:** Read as '0'
bit 3 **Unimplemented:** Read as '1'
bit 2-0 **TRISE<2:0>:** RE<2:0> Tri-State Control bits⁽¹⁾
 1 = PORTE pin configured as an input (tri-stated)
 0 = PORTE pin configured as an output

Note 1: TRISE<2:0> are not implemented on the PIC16(L)F1778.

2: Unimplemented, read as '1'.

PIC16(L)F1777/8/9

REGISTER 11-36: LATE: PORTE DATA LATCH REGISTER⁽¹⁾

U-0	U-0	U-0	U-0	U-0	R/W-x/u	R/W-x/u	R/W-x/u
—	—	—	—	—	LATE2	LATE1	LATE0
bit 7							bit 0

Legend:

R = Readable bit W = Writable bit U = Unimplemented bit, read as '0'
u = Bit is unchanged x = Bit is unknown -n/n = Value at POR and BOR/Value at all other Resets
'1' = Bit is set '0' = Bit is cleared

bit 7-3 **Unimplemented:** Read as '0'

bit 2-0 **LATE<2:0>:** PORTE Output Latch Value bits

Note 1: The LATE register is not implemented on the PIC16(L)F1778. Writes to RE<2:0> are actually written to corresponding LATE register. Reads from PORTE register is the return of actual I/O pin values.

REGISTER 11-37: ANSELE: PORTE ANALOG SELECT REGISTER⁽²⁾

U-0	U-0	U-0	U-0	U-0	R/W-1/1	R/W-1/1	R/W-1/1
—	—	—	—	—	ANSE2	ANSE1	ANSE0
bit 7							bit 0

Legend:

R = Readable bit W = Writable bit U = Unimplemented bit, read as '0'
u = Bit is unchanged x = Bit is unknown -n/n = Value at POR and BOR/Value at all other Resets
'1' = Bit is set '0' = Bit is cleared

bit 7-3 **Unimplemented:** Read as '0'

bit 2-0 **ANSE<2:0>:** Analog Select between Analog or Digital Function on pins RE<2:0>⁽¹⁾
1 = Analog input. Pin is assigned as analog input⁽¹⁾. Digital input buffer disabled.
0 = Digital I/O. Pin is assigned to port or digital special function.

Note 1: When setting a pin to an analog input, the corresponding TRIS bit must be set to Input mode in order to allow external control of the voltage on the pin.

2: The ANSELE register is not implemented on the PIC16(L)F1778.

REGISTER 11-38: WPUE: WEAK PULL-UP PORTE REGISTER

U-0	U-0	U-0	U-0	R/W-1/1	R/W-1/1	R/W-1/1	R/W-1/1
—	—	—	—	WPUE3	WPUE2 ⁽³⁾	WPUE1 ⁽³⁾	WPUE0 ⁽³⁾
bit 7							bit 0

Legend:

R = Readable bit	W = Writable bit	U = Unimplemented bit, read as '0'
u = Bit is unchanged	x = Bit is unknown	-n/n = Value at POR and BOR/Value at all other Resets
'1' = Bit is set	'0' = Bit is cleared	

bit 7-4 **Unimplemented:** Read as '0'

bit 3-0 **WPUE<3:0>:** Weak Pull-up Register bit⁽³⁾
 1 = Pull-up enabled
 0 = Pull-up disabled

- Note 1:** Global $\overline{\text{WPUEN}}$ bit of the OPTION_REG register must be cleared for individual pull-ups to be enabled.
Note 2: The weak pull-up device is automatically disabled if the pin is in configured as an output.
Note 3: WPUE<2:0> is not implemented on the PIC16(L)F1778.

REGISTER 11-39: ODCONE: PORTE OPEN-DRAIN CONTROL REGISTER⁽¹⁾

U-0	U-0	U-0	U-0	U-0	R/W-0/0	R/W-0/0	R/W-0/0
—	—	—	—	—	ODE2	ODE1	ODE0
bit 7							bit 0

Legend:

R = Readable bit	W = Writable bit	U = Unimplemented bit, read as '0'
u = Bit is unchanged	x = Bit is unknown	-n/n = Value at POR and BOR/Value at all other Resets
'1' = Bit is set	'0' = Bit is cleared	

bit 7-3 **Unimplemented:** Read as '0'

bit 2-0 **ODE<2:0>:** PORTE Open-Drain Enable bits
 For RE<2:0> pins
 1 = Port pin operates as open-drain drive (sink current only)
 0 = Port pin operates as standard push-pull drive (source and sink current)

- Note 1:** The ODCONE register is not implemented on the PIC16(L)F1778.

PIC16(L)F1777/8/9

REGISTER 11-40: SLRCONE: PORTE SLEW RATE CONTROL REGISTER⁽¹⁾

U-0	U-0	U-0	U-0	U-0	R/W-1/1	R/W-1/1	R/W-1/1
—	—	—	—	—	SLRE2	SLRE1	SLRE0
bit 7					bit 0		

Legend:

R = Readable bit W = Writable bit U = Unimplemented bit, read as '0'
u = Bit is unchanged x = Bit is unknown -n/n = Value at POR and BOR/Value at all other Resets
'1' = Bit is set '0' = Bit is cleared

bit 7-3 **Unimplemented:** Read as '0'
bit 2-0 **SLRE<2:0>:** PORTE Slew Rate Enable bits
For RE<2:0> pins
1 = Port pin slew rate is limited
0 = Port pin slews at maximum rate

Note 1: The SLRCONE register is not implemented on the PIC16(L)F1778.

REGISTER 11-41: INLVLE: PORTE INPUT LEVEL CONTROL REGISTER

U-0	U-0	U-0	U-0	R/W-1/1	R/W-1/1	R/W-1/1	R/W-1/1
—	—	—	—	INLVLE3	INLVLE2 ⁽¹⁾	INLVLE1 ⁽¹⁾	INLVLE0 ⁽¹⁾
bit 7					bit 0		

Legend:

R = Readable bit W = Writable bit U = Unimplemented bit, read as '0'
u = Bit is unchanged x = Bit is unknown -n/n = Value at POR and BOR/Value at all other Resets
'1' = Bit is set '0' = Bit is cleared

bit 7-4 **Unimplemented:** Read as '0'
bit 3-0 **INLVLE<3:0>:** PORTE Input Level Select bit
1 = ST input used for PORT reads and interrupt-on-change
0 = TTL input used for PORT reads and interrupt-on-change

Note 1: INLVLE<2:0> are not implemented on the PIC16(L)F1778.

TABLE 11-7: SUMMARY OF REGISTERS ASSOCIATED WITH PORTE

Name	Bit 7	Bit 6	Bit 5	Bit 4	Bit 3	Bit 2	Bit 1	Bit 0	Register on Page
ANSELE ⁽²⁾	—	—	—	—	—	ANSELE2	ANSELE1	ANSELE0	200
INLVLE	—	—	—	—	INLVLE3	INLVLE2 ⁽²⁾	INLVLE1 ⁽²⁾	INLVLE0 ⁽²⁾	202
LATE ⁽²⁾	—	—	—	—	—	LATE2	LATE1	LATE0	200
ODCONE ⁽²⁾	—	—	—	—	—	ODE2	ODE1	ODE0	201
PORTE	—	—	—	—	RE3	RE2 ⁽²⁾	RE1 ⁽²⁾	RE0 ⁽²⁾	199
SLRCONE ⁽²⁾	—	—	—	—	—	SLRE2	SLRE1	SLRE0	202
TRISE	—	—	—	—	— ⁽¹⁾	TRISE2 ⁽²⁾	TRISE1 ⁽²⁾	TRISE0 ⁽²⁾	199
WPUE	—	—	—	—	WPUE3	WPUE2 ⁽²⁾	WPUE1 ⁽²⁾	WPUE0 ⁽²⁾	201

Legend: x = unknown, u = unchanged, — = unimplemented locations read as '0'. Shaded cells are not used by PORTE.

Note 1: Unimplemented, read as '1'.

Note 2: PIC16(L)F1777/9 only.

12.0 PERIPHERAL PIN SELECT (PPS) MODULE

The Peripheral Pin Select (PPS) module connects peripheral inputs and outputs to the device I/O pins. Only digital signals are included in the selections. All analog inputs and outputs remain fixed to their assigned pins. Input and output selections are independent as shown in the simplified block diagram [Figure 12-1](#).

12.1 PPS Inputs

Each peripheral has a PPS register with which the inputs to the peripheral are selected. Inputs include the device pins.

Multiple peripherals can operate from the same source simultaneously. Port reads always return the pin level regardless of peripheral PPS selection. If a pin also has associated analog functions, the ANSEL bit for that pin must be cleared to enable the digital input buffer.

Although every peripheral has its own PPS input selection register, the selections are identical for every peripheral as shown in [Register 12-1](#).

Note: The notation “xxx” in the register name is a place holder for the peripheral identifier. For example, CLC1PPS.

12.2 PPS Outputs

Each I/O pin has a PPS register with which the pin output source is selected. With few exceptions, the port TRIS control associated with that pin retains control over the pin output driver. Peripherals that control the pin output driver as part of the peripheral operation will override the TRIS control as needed. These peripherals include:

- EUSART (synchronous operation)
- MSSP (I²C)
- COG (auto-shutdown)

Although every pin has its own PPS peripheral selection register, the selections are identical for every pin as shown in [Register 12-2](#).

Note: The notation “Rxy” is a place holder for the pin identifier. For example, RA0PPS.

FIGURE 12-1: SIMPLIFIED PPS BLOCK DIAGRAM



PIC16(L)F1777/8/9

12.3 Bidirectional Pins

PPS selections for peripherals with bidirectional signals on a single pin must be made so that the PPS input and PPS output select the same pin. Peripherals that have bidirectional signals include:

- EUSART (synchronous operation)
- MSSP (I²C)

Note: The I²C default input pins are I²C and SMBus compatible and are the only pins on the device with this compatibility.

12.4 PPS Lock

The PPS includes a mode in which all input and output selections can be locked to prevent inadvertent changes. PPS selections are locked by setting the PPSLOCKED bit of the PPSLOCK register. Setting and clearing this bit requires a special sequence as an extra precaution against inadvertent changes. Examples of setting and clearing the PPSLOCKED bit are shown in [Example 12-1](#).

EXAMPLE 12-1: PPS LOCK/UNLOCK SEQUENCE

```
; suspend interrupts
    bcf    INTCON,GIE
;   BANKSEL PPSLOCK    ; set bank
; required sequence, next 5 instructions
    movlw 0x55
    movwf PPSLOCK
    movlw 0xAA
    movwf PPSLOCK
; Set PPSLOCKED bit to disable writes or
; Clear PPSLOCKED bit to enable writes
    bsf    PPSLOCK,PPSLOCKED
; restore interrupts
    bsf    INTCON,GIE
```

12.5 PPS Permanent Lock

The PPS can be permanently locked by setting the PPS1WAY Configuration bit. When this bit is set, the PPSLOCKED bit can only be cleared and set one time after a device Reset. This allows for clearing the PPSLOCKED bit so that the input and output selections can be made during initialization. When the PPSLOCKED bit is set after all selections have been made, it will remain set and cannot be cleared until after the next device Reset event.

12.6 Operation During Sleep

PPS input and output selections are unaffected by Sleep.

12.7 Effects of a Reset

A device Power-on Reset (POR) clears all PPS input and output selections to their default values. All other Resets leave the selections unchanged. Default input selections are shown in [Table 12-1](#).

12.8 Register Definitions: PPS Input Selection

REGISTER 12-1: xxxPPS: PERIPHERAL xxx INPUT SELECTION

U-0	U-0	R/W-q/u	R/W-q/u	R/W-q/u	R/W-q/u	R/W-q/u	R/W-q/u
—	—	xxxPPS<5:0>					
bit 7							bit 0

Legend:

R = Readable bit	W = Writable bit	U = Unimplemented bit, read as '0'
u = Bit is unchanged	x = Bit is unknown	-n/n = Value at POR and BOR/Value at all other Resets
'1' = Bit is set	'0' = Bit is cleared	q = value depends on peripheral

- bit 7-6 **Unimplemented:** Read as '0'
- bit 5-3 **xxxPPS<5:3>:** Peripheral xxx Input PORT Selection bits
 100 = Peripheral input is PORTE
 011 = Peripheral input is PORTD⁽¹⁾
 010 = Peripheral input is PORTC
 001 = Peripheral input is PORTB
 000 = Peripheral input is PORTA
- bit 2-0 **xxxPPS<2:0>:** Peripheral xxx Input Bit Selection bits⁽¹⁾
 111 = Peripheral input is from PORTx Bit 7 (Rx7)
 110 = Peripheral input is from PORTx Bit 6 (Rx6)
 101 = Peripheral input is from PORTx Bit 5 (Rx5)
 100 = Peripheral input is from PORTx Bit 4 (Rx4)
 011 = Peripheral input is from PORTx Bit 3 (Rx3)
 010 = Peripheral input is from PORTx Bit 2 (Rx2)
 001 = Peripheral input is from PORTx Bit 1 (Rx1)
 000 = Peripheral input is from PORTx Bit 0 (Rx0)

Note 1: See [Table 12-1](#) for xxxPPS register list and Reset values.

Note 2: PIC16(L)F1777/9 only.

REGISTER 12-2: RxyPPS: PIN Rxy OUTPUT SOURCE SELECTION REGISTER

U-0	U-0	R/W-0/u	R/W-0/u	R/W-0/u	R/W-0/u	R/W-0/u	R/W-0/u
—	—	RxyPPS<5:0>					
bit 7							bit 0

Legend:

R = Readable bit	W = Writable bit	U = Unimplemented bit, read as '0'
u = Bit is unchanged	x = Bit is unknown	-n/n = Value at POR and BOR/Value at all other Resets
'1' = Bit is set	'0' = Bit is cleared	

- bit 7-6 **Unimplemented:** Read as '0'
- bit 5-0 **RxyPPS<5:0>:** Pin Rxy Output Source Selection bits
 Selection code determines the output signal on the port pin.
 See [Table 12-2](#) for the selection codes

PIC16(L)F1777/8/9

REGISTER 12-3: PPSLOCK: PPS LOCK REGISTER

U-0	U-0	U-0	U-0	U-0	U-0	U-0	R/W-0/0
—	—	—	—	—	—	—	PPSLOCKED
bit 7							bit 0

Legend:

R = Readable bit

W = Writable bit

U = Unimplemented bit, read as '0'

u = Bit is unchanged

x = Bit is unknown

-n/n = Value at POR and BOR/Value at all other Resets

'1' = Bit is set

'0' = Bit is cleared

bit 7-1 **Unimplemented:** Read as '0'bit 0 **PPSLOCKED:** PPS Locked bit

1 = PPS is locked. PPS selections can not be changed.

0 = PPS is not locked. PPS selections can be changed.

TABLE 12-1: PPS INPUT REGISTER RESET VALUES

Peripheral	xxxPPS Register	Default Pin Selection	Reset Value (xxxPPS<5:0>)	Port Selection PIC16(L)F1777/9					Port Selection PIC16(L)F1778		
		PIC16(L)F1777/8/9	PIC16(L)F1777/8/9	A	B	C	D	E	A	B	C
Interrupt-on-change	INTPPS	RB0	001000	•	•				•	•	
Timer0clock	T0CKIPPS	RA4	000100	•	•				•	•	
Timer1clock	T1CKIPPS	RC0	010000	•		•			•		•
Timer1 gate	T1GPPS	RB5	001101		•	•				•	•
Timer3 clock	T3CKIPPS	RC0	010000		•	•				•	•
Timer3 gate	T3GPPS	RC0	010000	•		•			•		•
Timer5 clock	T5CKIPPS	RC2	010010	•		•			•		•
Timer5 gate	T5GPPS	RB4	001100		•		•			•	•
Timer2 input	T2INPPS	RC3	010011	•		•			•		•
Timer4 input	T4INPPS	RC5	010101		•	•				•	•
Timer6 input	T6INPPS	RB7	001111		•		•			•	•
Timer8 input	T8INPPS	RC4	010100		•		•			•	•
CCP1	CCP1PPS	RC2	010010		•	•				•	•
CCP2	CCP2PPS	RC1	010001		•	•				•	•
CCP7	CCP7PPS	RB5	001101		•		•			•	•
CCP8 ⁽¹⁾	CCP8PPS	RB0	001000		•		•			•	•
COG1	COG1INPPS	RB0	001000		•		•			•	•
COG2	COG2INPPS	RB1	001001		•		•			•	•
COG3	COG3INPPS	RB2	001010		•		•			•	•
COG4 ⁽¹⁾	COG4INPPS	RB3	001011		•		•				
DSM1 low carrier	MD1CLPPS	RA3	000011	•			•		•		•
DSM1 high carrier	MD1CHPPS	RA4	000100	•			•		•		•
DSM1 modulation	MD1MODPPS	RA5	000101	•			•		•		•
DSM2 low carrier	MD2CLPPS	RC3	010011	•			•		•		•
DSM2 high carrier	MD2CHPPS	RC4	010100	•			•		•		•
DSM2 modulation	MD2MODPPS	RC5	010101	•			•		•		•
DSM3 low carrier	MD3CLPPS	RB3	001011		•		•			•	•
DSM3 high carrier	MD3CHPPS	RB4	001100		•		•			•	•
DSM3 modulation	MD3MODPPS	RB5	001101		•		•			•	•
DSM4 low carrier ⁽¹⁾	MD4CLPPS	RB0	001000		•		•				
DSM4 high carrier ⁽¹⁾	MD4CHPPS	RB1	001001		•		•				
DSM4 modulation ⁽¹⁾	MD4MODPPS	RB2	001010		•		•				
PRG1 set rising	PRG1RPPS	RA4	000100	•			•		•		•
PRG1 set falling	PRG1FPPS	RA5	000101	•			•		•		•
PRG2 set rising	PRG2RPPS	RC1	010001	•			•		•		•
PRG2 set falling	PRG2FPPS	RC2	010010	•			•		•		•
PRG3 set rising	PRG3RPPS	RC4	010100		•		•			•	•
PRG3 set falling	PRG3FPPS	RC5	010101		•		•			•	•
PRG4 set rising ⁽¹⁾	PRG4RPPS	RB1	010100		•		•				
PRG4set falling ⁽¹⁾	PRG4FPPS	RB2	010101		•		•				
ADC trigger	ADCACTPPS	RB4	001100		•		•			•	•

Example: CCP1PPS = 0x13 selects RC3 as the CCP1 input.

Note 1: PIC16(L)F1777/9 only

PIC16(L)F1777/8/9

TABLE 12-1: PPS INPUT REGISTER RESET VALUES (CONTINUED)

Peripheral	xxxPPS Register	Default Pin Selection	Reset Value (xxxPPS<5:0>)	Port Selection PIC16(L)F1777/9					Port Selection PIC16(L)F1778			
				PIC16(L)F1777/8/9	PIC16(L)F1777/8/9	A	B	C	D	E	A	B
SPI and I ² C clock	SSPCLKPPS	RC3	010011		•	•					•	•
SPI and I ² C data	SSPDATPPS	RC4	010100		•	•					•	•
SPI slave select	SSPSSPPS	RA5	000101	•			•			•		•
EUSART RX	RXPPS	RC7	010111		•	•					•	•
EUSART CK	CKPPS	RC6	010110		•	•					•	•
All CLCs	CLCIN0PPS	RA0	000000	•		•				•		•
All CLCs	CLCIN1PPS	RA1	000001	•		•				•		•
All CLCs	CLCIN2PPS	RB6	001110		•		•				•	•
All CLCs	CLCIN3PPS	RB7	001111		•		•				•	•

Example: CCP1PPS = 0x13 selects RC3 as the CCP1 input.

Note 1: PIC16(L)F1777/9 only

PIC16(L)F1777/8/9

TABLE 12-2: AVAILABLE PORTS FOR OUTPUT BY PERIPHERAL⁽²⁾

RxyPPS<5:0>	Output Signal	PIC16(L)F1778			PIC16(L)F1777/9				
		A	B	C	A	B	C	D	E
110001	MD4_out ⁽³⁾				—	•	—	•	
110000	MD3_out		•	•	—	•	—	•	—
101111	MD2_out	•		•	•	—	—	•	—
101110	MD1_out	•		•	•	—	—	•	—
101101	sync_C8OUT ⁽³⁾				—	•	—	•	—
101100	sync_C7OUT ⁽³⁾				—	•	—	•	—
101011	sync_C6OUT	•		•	•	—	—	—	•
101010	sync_C5OUT	•		•	•	—	—	•	—
101001	sync_C4OUT		•	•	—	•	—	•	—
101000	sync_C3OUT		•	•	—	•	—	•	—
100111	sync_C2OUT	•		•	•	—	—		•
100110	sync_C1OUT	•		•	•	—	—	•	—
100101	DT		•	•	—	•	•	—	—
100100	TX/CK		•	•	—	•	•	—	—
100011	SDO		•	•	—	•	•	—	—
100010	SDA		•	•	—	•	•	—	—
100001	SCK/SCL ⁽¹⁾		•	•	—	•	•	—	—
100000	PWM12_out ⁽³⁾				—	•	—	•	—
011111	PWM11_out		•	•	—	•	—	•	—
011110	PWM6_out	•		•	•	—	—	•	—
011101	PWM5_out	•		•	•	—		•	—
011100	PWM10_out ⁽³⁾				•	—	•	—	—
011011	PWM9_out	•		•	•	—	•		—
011010	PWM4_out	•		•	•	—		•	—
011001	PWM3_out	•		•	•	—		—	•
011000	CCP8_out ⁽³⁾				—	•	—	•	—
010111	CCP7_out		•	•	—	•	—	•	—
010110	CCP2_out		•	•	—	•	•	—	—
010101	CCP1_out		•	•	—	•	•	—	—
010100	COG4D ^(1,3)				•	—		•	—
010011	COG4C ^(1,3)				•	—		•	—
010010	COG4B ^(1,3)				•	—		—	•
010001	COG4A ^(1,3)					•	•	—	—
010000	COG3D ⁽¹⁾	•		•	•	—	—	•	—
001111	COG3C ⁽¹⁾	•		•	•	—	—	•	—
001110	COG3B ⁽¹⁾	•		•	•	—	—	—	•
001101	COG3A ⁽¹⁾	•		•	—	•	•	—	—
001100	COG2D ⁽¹⁾		•	•	—	•	—	•	—
001011	COG2C ⁽¹⁾		•	•	—	•	—	•	—
001010	COG2B ⁽¹⁾		•	•		•		•	

- Note 1:** TRIS control is overridden by the peripheral as required.
2: Unsupported peripherals will output a '0'.
3: PIC16(L)F1777/9 only.

PIC16(L)F1777/8/9

TABLE 12-2: AVAILABLE PORTS FOR OUTPUT BY PERIPHERAL⁽²⁾ (CONTINUED)

RxyPPS<5:0>	Output Signal	PIC16(L)F1778			PIC16(L)F1777/9				
		A	B	C	A	B	C	D	E
001001	COG2A ⁽¹⁾		•	•		•	•		
001000	COG1D ⁽¹⁾		•	•		•		•	
000111	COG1C ⁽¹⁾		•	•		•		•	
000110	COG1B ⁽¹⁾		•	•		•		•	
000101	COG1A ⁽¹⁾		•	•		•	•		
000100	LC4_out		•	•		•		•	
000011	LC3_out		•	•		•		•	
000010	LC2_out	•		•	•		•		
000001	LC1_out	•		•	•		•		
000000	LATxy	•	•	•	•	•	•	•	•

Note 1: TRIS control is overridden by the peripheral as required.

Note 2: Unsupported peripherals will output a '0'.

Note 3: PIC16(L)F1777/9 only.

TABLE 12-3: SUMMARY OF REGISTERS ASSOCIATED WITH THE PPS MODULE

Name	Bit 7	Bit 6	Bit 5	Bit 4	Bit 3	Bit 2	Bit 1	Bit 0	Register on page
PPSLOCK	—	—	—	—	—	—	—	PPSLOCKED	206
INTPPS	—	—	INTPPS<5:0>						205
T0CKIPPS	—	—	T0CKIPPS<5:0>						205
T1CKIPPS	—	—	T1CKIPPS<5:0>						205
T1GPPS	—	—	T1GPPS<5:0>						205
T3CKIPPS	—	—	T3CKIPPS<5:0>						205
T3GPPS	—	—	T3GPPS<5:0>						205
T5CKIPPS	—	—	T5CKIPPS<5:0>						205
T5GPPS	—	—	T5GPPS<5:0>						205
T2INPPS	—	—	T2INPPS<5:0>						205
T4INPPS	—	—	T4INPPS<5:0>						205
T6INPPS	—	—	T6INPPS<5:0>						205
T8INPPS	—	—	T8INPPS<5:0>						205
CCP1PPS	—	—	CCP1PPS<5:0>						205
CCP2PPS	—	—	CCP2PPS<5:0>						205
CCP7PPS	—	—	CCP7PPS<5:0>						205
CCP8PPS ⁽¹⁾	—	—	CCP8PPS<5:0>						205
COG1NPPS	—	—	COG1PPS<5:0>						205
COG2INPPS	—	—	COG2PPS<5:0>						205
COG3INPPS	—	—	COG3PPS<5:0>						205
COG4INPPS ⁽¹⁾	—	—	COG4PPS<5:0>						205
MD1CLPPS	—	—	MD1CLPPS<5:0>						205
MD1CHPPS	—	—	MD1CHPPS<5:0>						205
MD1MODPPS	—	—	MD1MODPPS<5:0>						205
MD2CLPPS	—	—	MD2CLPPS<5:0>						205
MD2CHPPS	—	—	MD2CHPPS<5:0>						205
MD2MODPPS	—	—	MD2MODPPS<5:0>						205
MD3CLPPS	—	—	MD3CLPPS<5:0>						205
MD3CHPPS	—	—	MD3CHPPS<5:0>						205
MD3MODPPS	—	—	MD3MODPPS<5:0>						205
MD4CLPPS ⁽¹⁾	—	—	MD4CLPPS<5:0>						205
MD4CHPPS ⁽¹⁾	—	—	MD4CHPPS<5:0>						205
MD4MODPPS ⁽¹⁾	—	—	MD4MODPPS<5:0>						205
PRG1RPPS	—	—	PRG1RPPS<5:0>						205
PRG1FPPS	—	—	PRG1FPPS<5:0>						205
PRG2RPPS	—	—	PRG2RPPS<5:0>						205
PRG2FPPS	—	—	PRG2FPPS<5:0>						205
PRG3RPPS	—	—	PRG3RPPS<5:0>						205
PRG3FPPS	—	—	PRG3FPPS<5:0>						205
PRG4RPPS	—	—	PRG4RPPS<5:0>						205
PRG4FPPS	—	—	PRG4FPPS<5:0>						205
CLC1IN0PPS	—	—	CLCIN0PPS<5:0>						205

PIC16(L)F1777/8/9

TABLE 12-3: SUMMARY OF REGISTERS ASSOCIATED WITH THE PPS MODULE (CONTINUED)

Name	Bit 7	Bit 6	Bit 5	Bit 4	Bit 3	Bit 2	Bit 1	Bit 0	Register on page
CLC1IN1PPS	—	—							CLCIN1PPS<5:0> 205
CLC1IN2PPS	—	—							CLCIN2PPS<5:0> 205
CLC1IN3PPS	—	—							CLCIN3PPS<5:0> 205
ADCACTPPS	—	—							ADCACTPPS<5:0> 205
SSPCLKPPS	—	—							SSPCLKPPS<5:0> 205
SSPDATPPS	—	—							SSPDATPPS<5:0> 205
SSPSSPPS	—	—							SSPSSPPS<5:0> 205
RXPPS	—	—							RXPPS<5:0> 205
CKPPS	—	—							CKPPS<5:0> 205

Legend: — = unimplemented, read as '0'. Shaded cells are unused by the PPS module.

Note 1: PIC16(L)F1777/9 only.

13.0 INTERRUPT-ON-CHANGE

All pins on all ports can be configured to operate as Interrupt-on-Change (IOC) pins. An interrupt can be generated by detecting a signal that has either a rising edge or a falling edge. Any individual pin, or combination of pins, can be configured to generate an interrupt. The interrupt-on-change module has the following features:

- Interrupt-on-Change enable (Master Switch)
- Individual pin configuration
- Rising and falling edge detection
- Individual pin interrupt flags

Figure 13-1 is a block diagram of the IOC module.

13.1 Enabling the Module

To allow individual pins to generate an interrupt, the IOCIE bit of the INTCON register must be set. If the IOCIE bit is disabled, the edge detection on the pin will still occur, but an interrupt will not be generated.

13.2 Individual Pin Configuration

For each pin, a rising edge detector and a falling edge detector are present. To enable a pin to detect a rising edge, the associated bit of the IOCxP register is set. To enable a pin to detect a falling edge, the associated bit of the IOCxN register is set.

A pin can be configured to detect rising and falling edges simultaneously by setting the associated bits in both of the IOCxP and IOCxN registers.

13.3 Interrupt Flags

The bits located in the IOCxF registers are status flags that correspond to the Interrupt-on-Change pins of each port. If an expected edge is detected on an appropriately enabled pin, then the status flag for that pin will be set, and an interrupt will be generated if the IOCIE bit is set. The IOCIF bit of the INTCON register reflects the status of all IOCxF bits.

13.4 Clearing Interrupt Flags

The individual status flags, (IOCxF register bits), can be cleared by resetting them to zero. If another edge is detected during this clearing operation, the associated status flag will be set at the end of the sequence, regardless of the value actually being written.

In order to ensure that no detected edge is lost while clearing flags, only AND operations masking out known changed bits should be performed. The following sequence is an example of what should be performed.

EXAMPLE 13-1: CLEARING INTERRUPT FLAGS (PORTA EXAMPLE)

```
MOVLW 0xff
XORWF IOCAF, W
ANDWF IOCAF, F
```

13.5 Operation in Sleep

The Interrupt-on-Change interrupt sequence will wake the device from Sleep mode, if the IOCIE bit is set.

If an edge is detected while in Sleep mode, the affected IOCxF register will be updated prior to the first instruction executed out of Sleep.

PIC16(L)F1777/8/9

FIGURE 13-1: INTERRUPT-ON-CHANGE BLOCK DIAGRAM (PORTA EXAMPLE)



13.6 Register Definitions: Interrupt-on-Change Control

REGISTER 13-1: IOCAP: INTERRUPT-ON-CHANGE PORTA POSITIVE EDGE REGISTER

R/W-0/0	R/W-0/0	R/W-0/0	R/W-0/0	R/W-0/0	R/W-0/0	R/W-0/0	R/W-0/0
IOCAP7	IOCAP6	IOCAP5	IOCAP4	IOCAP3	IOCAP2	IOCAP1	IOCAP0
bit 7							bit 0

Legend:

R = Readable bit	W = Writable bit	U = Unimplemented bit, read as '0'
u = Bit is unchanged	x = Bit is unknown	-n/n = Value at POR and BOR/Value at all other Resets
'1' = Bit is set	'0' = Bit is cleared	

bit 7-0 **IOCAP<7:0>**: Interrupt-on-Change PORTA Positive Edge Enable bits
 1 = Interrupt-on-Change enabled on the pin for a positive going edge. IOCAF_x bit and IOCIF flag will be set upon detecting an edge.
 0 = Interrupt-on-Change disabled for the associated pin.

REGISTER 13-2: IOCAN: INTERRUPT-ON-CHANGE PORTA NEGATIVE EDGE REGISTER

R/W-0/0	R/W-0/0	R/W-0/0	R/W-0/0	R/W-0/0	R/W-0/0	R/W-0/0	R/W-0/0
IOCAN7	IOCAN6	IOCAN5	IOCAN4	IOCAN3	IOCAN2	IOCAN1	IOCAN0
bit 7							bit 0

Legend:

R = Readable bit	W = Writable bit	U = Unimplemented bit, read as '0'
u = Bit is unchanged	x = Bit is unknown	-n/n = Value at POR and BOR/Value at all other Resets
'1' = Bit is set	'0' = Bit is cleared	

bit 7-0 **IOCAN<7:0>**: Interrupt-on-Change PORTA Negative Edge Enable bits
 1 = Interrupt-on-Change enabled on the pin for a negative going edge. IOCAF_x bit and IOCIF flag will be set upon detecting an edge.
 0 = Interrupt-on-Change disabled for the associated pin.

PIC16(L)F1777/8/9

REGISTER 13-3: IOCAF: INTERRUPT-ON-CHANGE PORTA FLAG REGISTER

R/W/HS-0/0	R/W/HS-0/0	R/W/HS-0/0	R/W/HS-0/0	R/W/HS-0/0	R/W/HS-0/0	R/W/HS-0/0	R/W/HS-0/0
IOCAF7	IOCAF6	IOCAF5	IOCAF4	IOCAF3	IOCAF2	IOCAF1	IOCAF0
bit 7							bit 0

Legend:

R = Readable bit W = Writable bit U = Unimplemented bit, read as '0'
u = Bit is unchanged x = Bit is unknown -n/n = Value at POR and BOR/Value at all other Resets
'1' = Bit is set '0' = Bit is cleared HS - Bit is set in hardware

bit 7-0 **IOCAF<7:0>**: Interrupt-on-Change PORTA Flag bits
1 = An enabled change was detected on the associated pin.
Set when IOCAPx = 1 and a rising edge was detected on RAx, or when IOCANx = 1 and a falling edge was detected on RAx.
0 = No change was detected, or the user cleared the detected change.

REGISTER 13-4: IOCBP: INTERRUPT-ON-CHANGE PORTB POSITIVE EDGE REGISTER

R/W-0/0	R/W-0/0	R/W-0/0	R/W-0/0	R/W-0/0	R/W-0/0	R/W-0/0	R/W-0/0
IOCBP7	IOCBP6	IOCBP5	IOCBP4	IOCBP3	IOCBP2	IOCBP1	IOCBP0
bit 7							bit 0

Legend:

R = Readable bit W = Writable bit U = Unimplemented bit, read as '0'
u = Bit is unchanged x = Bit is unknown -n/n = Value at POR and BOR/Value at all other Resets
'1' = Bit is set '0' = Bit is cleared

bit 7-0 **IOCBP<7:0>**: Interrupt-on-Change PORTB Positive Edge Enable bits
1 = Interrupt-on-Change enabled on the pin for a positive going edge. IOCBFx bit and IOCIF flag will be set upon detecting an edge.
0 = Interrupt-on-Change disabled for the associated pin.

REGISTER 13-5: IOCBN: INTERRUPT-ON-CHANGE PORTB NEGATIVE EDGE REGISTER

R/W-0/0	R/W-0/0	R/W-0/0	R/W-0/0	R/W-0/0	R/W-0/0	R/W-0/0	R/W-0/0
IOCBN7	IOCBN6	IOCBN5	IOCBN4	IOCBN3	IOCBN2	IOCBN1	IOCBN0
bit 7							bit 0

Legend:

R = Readable bit W = Writable bit U = Unimplemented bit, read as '0'
u = Bit is unchanged x = Bit is unknown -n/n = Value at POR and BOR/Value at all other Resets
'1' = Bit is set '0' = Bit is cleared

bit 7-0 **IOCBN<7:0>**: Interrupt-on-Change PORTB Negative Edge Enable bits
1 = Interrupt-on-Change enabled on the pin for a negative going edge. IOCBFx bit and IOCIF flag will be set upon detecting an edge.
0 = Interrupt-on-Change disabled for the associated pin.

REGISTER 13-6: IOCBF: INTERRUPT-ON-CHANGE PORTB FLAG REGISTER

R/W/HS-0/0	R/W/HS-0/0	R/W/HS-0/0	R/W/HS-0/0	R/W/HS-0/0	R/W/HS-0/0	R/W/HS-0/0	R/W/HS-0/0
IOCBF7	IOCBF6	IOCBF5	IOCBF4	IOCBF3	IOCBF2	IOCBF1	IOCBF0
bit 7							bit 0

Legend:

R = Readable bit	W = Writable bit	U = Unimplemented bit, read as '0'
u = Bit is unchanged	x = Bit is unknown	-n/n = Value at POR and BOR/Value at all other Resets
'1' = Bit is set	'0' = Bit is cleared	HS - Bit is set in hardware

bit 7-0

IOCBF<7:0>: Interrupt-on-Change PORTB Flag bits

1 = An enabled change was detected on the associated pin.

Set when IOCBP_x = 1 and a rising edge was detected on RB_x, or when IOCBN_x = 1 and a falling edge was detected on RB_x.

0 = No change was detected, or the user cleared the detected change.

PIC16(L)F1777/8/9

REGISTER 13-7: IOCCP: INTERRUPT-ON-CHANGE PORTC POSITIVE EDGE REGISTER

R/W-0/0	R/W-0/0	R/W-0/0	R/W-0/0	R/W-0/0	R/W-0/0	R/W-0/0	R/W-0/0
IOCCP7	IOCCP6	IOCCP5	IOCCP4	IOCCP3	IOCCP2	IOCCP1	IOCCP0
bit 7							bit 0

Legend:

R = Readable bit W = Writable bit U = Unimplemented bit, read as '0'
u = Bit is unchanged x = Bit is unknown -n/n = Value at POR and BOR/Value at all other Resets
'1' = Bit is set '0' = Bit is cleared

bit 7-0 **IOCCP<7:0>**: Interrupt-on-Change PORTC Positive Edge Enable bits
1 = Interrupt-on-Change enabled on the pin for a positive going edge. IOCCFx bit and IOCIF flag will be set upon detecting an edge.
0 = Interrupt-on-Change disabled for the associated pin.

REGISTER 13-8: IOCCN: INTERRUPT-ON-CHANGE PORTC NEGATIVE EDGE REGISTER

R/W-0/0	R/W-0/0	R/W-0/0	R/W-0/0	R/W-0/0	R/W-0/0	R/W-0/0	R/W-0/0
IOCCN7	IOCCN6	IOCCN5	IOCCN4	IOCCN3	IOCCN2	IOCCN1	IOCCN0
bit 7							bit 0

Legend:

R = Readable bit W = Writable bit U = Unimplemented bit, read as '0'
u = Bit is unchanged x = Bit is unknown -n/n = Value at POR and BOR/Value at all other Resets
'1' = Bit is set '0' = Bit is cleared

bit 7-0 **IOCCN<7:0>**: Interrupt-on-Change PORTC Negative Edge Enable bits
1 = Interrupt-on-Change enabled on the pin for a negative going edge. IOCCFx bit and IOCIF flag will be set upon detecting an edge.
0 = Interrupt-on-Change disabled for the associated pin.

REGISTER 13-9: IOCCF: INTERRUPT-ON-CHANGE PORTC FLAG REGISTER

R/W/HS-0/0	R/W/HS-0/0	R/W/HS-0/0	R/W/HS-0/0	R/W/HS-0/0	R/W/HS-0/0	R/W/HS-0/0	R/W/HS-0/0
IOCCF7	IOCCF6	IOCCF5	IOCCF4	IOCCF3	IOCCF2	IOCCF1	IOCCF0
bit 7							bit 0

Legend:

R = Readable bit W = Writable bit U = Unimplemented bit, read as '0'
u = Bit is unchanged x = Bit is unknown -n/n = Value at POR and BOR/Value at all other Resets
'1' = Bit is set '0' = Bit is cleared HS - Bit is set in hardware

bit 7-0 **IOCCF<7:0>**: Interrupt-on-Change PORTC Flag bits
1 = An enabled change was detected on the associated pin.
Set when IOCCPx = 1 and a rising edge was detected on RCx, or when IOCCNx = 1 and a falling edge was detected on RCx.
0 = No change was detected, or the user cleared the detected change.

REGISTER 13-10: IOCEP: INTERRUPT-ON-CHANGE PORTE POSITIVE EDGE REGISTER

U-0	U-0	U-0	U-0	R/W-0/0	U-0	U-0	U-0
—	—	—	—	IOCEP3	—	—	—
bit 7							bit 0

Legend:

R = Readable bit	W = Writable bit	U = Unimplemented bit, read as '0'
u = Bit is unchanged	x = Bit is unknown	-n/n = Value at POR and BOR/Value at all other Resets
'1' = Bit is set	'0' = Bit is cleared	

bit 7-4 **Unimplemented:** Read as '0'

bit 3 **IOCEP3:** Interrupt-on-Change PORTE Positive Edge Enable bits
 1 = Interrupt-on-Change enabled on the pin for a positive going edge. IOCEPx bit and IOCIF flag will be set upon detecting an edge.
 0 = Interrupt-on-Change disabled for the associated pin.

bit 2-0 **Unimplemented:** Read as '0'

REGISTER 13-11: IOCEN: INTERRUPT-ON-CHANGE PORTE NEGATIVE EDGE REGISTER

U-0	U-0	U-0	U-0	R/W-0/0	U-0	U-0	U-0
—	—	—	—	IOCEN3	—	—	—
bit 7							bit 0

Legend:

R = Readable bit	W = Writable bit	U = Unimplemented bit, read as '0'
u = Bit is unchanged	x = Bit is unknown	-n/n = Value at POR and BOR/Value at all other Resets
'1' = Bit is set	'0' = Bit is cleared	

bit 7-4 **Unimplemented:** Read as '0'

bit 3 **IOCEN3:** Interrupt-on-Change PORTE Negative Edge Enable bits
 1 = Interrupt-on-Change enabled on the pin for a negative going edge. IOCEPx bit and IOCIF flag will be set upon detecting an edge.
 0 = Interrupt-on-Change disabled for the associated pin.

bit 2-0 **Unimplemented:** Read as '0'

PIC16(L)F1777/8/9

REGISTER 13-12: IOCEF: INTERRUPT-ON-CHANGE PORTE FLAG REGISTER

U-0	U-0	U-0	U-0	R/W/HS-0/0	U-0	U-0	U-0
—	—	—	—	IOCEF3	—	—	—
bit 7							bit 0

Legend:

R = Readable bit	W = Writable bit	U = Unimplemented bit, read as '0'
u = Bit is unchanged	x = Bit is unknown	-n/n = Value at POR and BOR/Value at all other Resets
'1' = Bit is set	'0' = Bit is cleared	HS - Bit is set in hardware

bit 7-4 **Unimplemented:** Read as '0'

bit 3 **IOCEF3:** Interrupt-on-Change PORTE Flag bits

1 = An enabled change was detected on the associated pin.

Set when IOCEPx = 1 and a rising edge was detected on REx, or when IOCENx = 1 and a falling edge was detected on REx.

0 = No change was detected, or the user cleared the detected change.

bit 2-0 **Unimplemented:** Read as '0'

TABLE 13-1: SUMMARY OF REGISTERS ASSOCIATED WITH INTERRUPT-ON-CHANGE

Name	Bit 7	Bit 6	Bit 5	Bit 4	Bit 3	Bit 2	Bit 1	Bit 0	Register on Page
ANSELA	—	—	ANSA5	ANSA4	ANSA3	ANSA2	ANSA1	ANSA0	177
ANSELB	—	—	ANSB5	ANSB4	ANSB3	ANSB2	ANSB1	ANSB0	182
ANSELC	ANSC7	ANSC6	ANSC5	ANSC4	ANSC3	ANSC2	—	—	187
INTCON	GIE	PEIE	TMR0IE	INTE	IOCFIE	TMR0IF	INTF	IOCFIF	132
IOCAF	IOCAF7	IOCAF6	IOCAF5	IOCAF4	IOCAF3	IOCAF2	IOCAF1	IOCAF0	216
IOCAN	IOCAN7	IOCAN6	IOCAN5	IOCAN4	IOCAN3	IOCAN2	IOCAN1	IOCAN0	215
IOCAP	IOCAP7	IOCAP6	IOCAP5	IOCAP4	IOCAP3	IOCAP2	IOCAP1	IOCAP0	215
IOCBF	IOCBF7	IOCBF6	IOCBF5	IOCBF4	IOCBF3	IOCBF2	IOCBF1	IOCBF0	217
IOCBN	IOCBN7	IOCBN6	IOCBN5	IOCBN4	IOCBN3	IOCBN2	IOCBN1	IOCBN0	216
IOCBP	IOCBP7	IOCBP6	IOCBP5	IOCBP4	IOCBP3	IOCBP2	IOCBP1	IOCBP0	216
IOCCF	IOCCF7	IOCCF6	IOCCF5	IOCCF4	IOCCF3	IOCCF2	IOCCF1	IOCCF0	218
IOCCN	IOCCN7	IOCCN6	IOCCN5	IOCCN4	IOCCN3	IOCCN2	IOCCN1	IOCCN0	218
IOCCP	IOCCP7	IOCCP6	IOCCP5	IOCCP4	IOCCP3	IOCCP2	IOCCP1	IOCCP0	218
IOCEP	—	—	—	—	IOCEP3	—	—	—	219
IOCEN	—	—	—	—	IOCEN3	—	—	—	219
IOCEF	—	—	—	—	IOCEF3	—	—	—	220
TRISA	TRISA7	TRISA6	TRISA5	TRISA4	TRISA3	TRISA2	TRISA1	TRISA0	176
TRISB	TRISB7	TRISB6	TRISB5	TRISB4	TRISB3	TRISB2	TRISB1	TRISB0	181
TRISC	TRISC7	TRISC6	TRISC5	TRISC4	TRISC3	TRISC2	TRISC1	TRISC0	186
TRISE	—	—	—	—	— ⁽¹⁾	TRISE2 ⁽²⁾	TRISE1 ⁽²⁾	TRISE0 ⁽²⁾	199

Legend: — = unimplemented location, read as '0'. Shaded cells are not used by interrupt-on-change.

Note 1: Unimplemented, read as '1'.

Note 2: Unimplemented on PIC16(L)F1778.

14.0 FIXED VOLTAGE REFERENCE (FVR)

The Fixed Voltage Reference, or FVR, is a stable voltage reference, independent of V_{DD}, with 1.024V, 2.048V or 4.096V selectable output levels. The output of the FVR can be configured to supply a reference voltage to the following:

- ADC input channel
- ADC positive reference
- Comparator positive input
- Digital-to-Analog Converter (DAC)

The FVR can be enabled by setting the FVREN bit of the FVRCON register.

14.1 Independent Gain Amplifiers

The output of the FVR supplied to the ADC, Comparators, and DAC is routed through two independent programmable gain amplifiers. Each amplifier can be programmed for a gain of 1x, 2x or 4x, to produce the three possible voltage levels.

The ADFVR<1:0> bits of the FVRCON register are used to enable and configure the gain amplifier settings for the reference supplied to the ADC module. Reference **Section 16.0 “Analog-to-Digital Converter (ADC) Module”** for additional information.

The CDAFVR<1:0> bits of the FVRCON register are used to enable and configure the gain amplifier settings for the reference supplied to the DAC and comparator module. Reference **Section 17.0 “5-Bit Digital-to-Analog Converter (DAC) Module”** and **Section 19.0 “Comparator Module”** for additional information.

14.2 FVR Stabilization Period

When the Fixed Voltage Reference module is enabled, it requires time for the reference and amplifier circuits to stabilize. Once the circuits stabilize and are ready for use, the FVRRDY bit of the FVRCON register will be set. See [Figure 37-77: FVR Stabilization Period, PIC16LF1777/8/9 Only.](#)

14.3 FVR Buffer Stabilization Period

When either FVR Buffer1 or Buffer2 is enabled then the buffer amplifier circuits require 30 μs to stabilize. This stabilization time is required even when the FVR is already operating and stable.

PIC16(L)F1777/8/9

FIGURE 14-1: VOLTAGE REFERENCE BLOCK DIAGRAM



TABLE 14-1: PERIPHERALS REQUIRING THE FIXED VOLTAGE REFERENCE (FVR)

Peripheral	Conditions	Description
HFINTOSC	FOSC<2:0> = 100 and IRCF<3:0> ≠ 000x	INTOSC is active and device is not in Sleep
BOR	BOREN<1:0> = 11	BOR always enabled
	BOREN<1:0> = 10 and BORFS = 1	BOR disabled in Sleep mode, BOR Fast Start enabled
	BOREN<1:0> = 01 and BORFS = 1	BOR under software control, BOR Fast Start enabled
LDO	All PIC16F1773/6 devices, when VREGPM = 1 and not in Sleep	The device runs off of the ULP regulator when in Sleep mode

14.4 Register Definitions: FVR Control

REGISTER 14-1: FVRCON: FIXED VOLTAGE REFERENCE CONTROL REGISTER

R/W-0/0	R-q/q	R/W-0/0	R/W-0/0	R/W-0/0	R/W-0/0	R/W-0/0	R/W-0/0
FVREN	FVRRDY ⁽¹⁾	TSEN ⁽³⁾	TSRNG ⁽³⁾	CDAFVR<1:0>		ADFVR<1:0>	
bit 7							bit 0

Legend:

R = Readable bit	W = Writable bit	U = Unimplemented bit, read as '0'
u = Bit is unchanged	x = Bit is unknown	-n/n = Value at POR and BOR/Value at all other Resets
'1' = Bit is set	'0' = Bit is cleared	q = Value depends on condition

bit 7	FVREN: Fixed Voltage Reference Enable bit 1 = Fixed Voltage Reference is enabled 0 = Fixed Voltage Reference is disabled
bit 6	FVRRDY: Fixed Voltage Reference Ready Flag bit ⁽¹⁾ 1 = Fixed Voltage Reference output is ready for use 0 = Fixed Voltage Reference output is not ready or not enabled
bit 5	TSEN: Temperature Indicator Enable bit ⁽³⁾ 1 = Temperature Indicator is enabled 0 = Temperature Indicator is disabled
bit 4	TSRNG: Temperature Indicator Range Selection bit ⁽³⁾ 1 = VOUT = VDD - 4VT (High Range) 0 = VOUT = VDD - 2VT (Low Range)
bit 3-2	CDAFVR<1:0>: Comparator/DAC FVR Buffer Gain Selection bits 11 = Comparator/DAC FVR Buffer Gain is 4x, with output VCDAFVR = 4x VFVR ⁽²⁾ 10 = Comparator/DAC FVR Buffer Gain is 2x, with output VCDAFVR = 2x VFVR ⁽²⁾ 01 = Comparator/DAC FVR Buffer Gain is 1x, with output VCDAFVR = 1x VFVR 00 = Comparator/DAC FVR Buffer is off
bit 1-0	ADFVR<1:0>: ADC FVR Buffer Gain Selection bits 11 = ADC FVR Buffer Gain is 4x, with output VADFVR = 4x VFVR ⁽²⁾ 10 = ADC FVR Buffer Gain is 2x, with output VADFVR = 2x VFVR ⁽²⁾ 01 = ADC FVR Buffer Gain is 1x, with output VADFVR = 1x VFVR 00 = ADC FVR Buffer is off

- Note 1:** FVRRDY is always '1' on PIC16F1773/6 only.
Note 2: Fixed Voltage Reference output cannot exceed VDD.
Note 3: See **Section 15.0 "Temperature Indicator Module"** for additional information.

TABLE 14-2: SUMMARY OF REGISTERS ASSOCIATED WITH FIXED VOLTAGE REFERENCE

Name	Bit 7	Bit 6	Bit 5	Bit 4	Bit 3	Bit 2	Bit 1	Bit 0	Register on page
FVRCON	FVREN	FVRRDY	TSEN	TSRNG	CDAFVR<1:0>		ADFVR<1:0>		223

Legend: Shaded cells are not used with the Fixed Voltage Reference.

PIC16(L)F1777/8/9

15.0 TEMPERATURE INDICATOR MODULE

This family of devices is equipped with a temperature circuit designed to measure the operating temperature of the silicon die. The circuit's range of operating temperature falls between -40°C and $+85^{\circ}\text{C}$. The output is a voltage that is proportional to the device temperature. The output of the temperature indicator is internally connected to the device ADC.

The circuit may be used as a temperature threshold detector or a more accurate temperature indicator, depending on the level of calibration performed. A one-point calibration allows the circuit to indicate a temperature closely surrounding that point. A two-point calibration allows the circuit to sense the entire range of temperature more accurately. Reference Application Note AN1333, "Use and Calibration of the Internal Temperature Indicator" (DS01333) for more details regarding the calibration process.

15.1 Circuit Operation

Figure 15-1 shows a simplified block diagram of the temperature circuit. The proportional voltage output is achieved by measuring the forward voltage drop across multiple silicon junctions.

Equation 15-1 describes the output characteristics of the temperature indicator.

EQUATION 15-1: V_{OUT} RANGES

High Range: $V_{OUT} = V_{DD} - 4V_T$

Low Range: $V_{OUT} = V_{DD} - 2V_T$

The temperature sense circuit is integrated with the Fixed Voltage Reference (FVR) module. See Section 14.0 "Fixed Voltage Reference (FVR)" for more information.

The circuit is enabled by setting the TSEN bit of the FVRCON register. When disabled, the circuit draws no current.

The circuit operates in either high or low range. The high range, selected by setting the TSRNG bit of the FVRCON register, provides a wider output voltage. This provides more resolution over the temperature range, but may be less consistent from part to part. This range requires a higher bias voltage to operate and thus, a higher V_{DD} is needed.

The low range is selected by clearing the TSRNG bit of the FVRCON register. The low range generates a lower voltage drop and thus, a lower bias voltage is needed to operate the circuit. The low range is provided for low voltage operation.

FIGURE 15-1: TEMPERATURE CIRCUIT DIAGRAM



15.2 Minimum Operating V_{DD}

When the temperature circuit is operated in low range, the device may be operated at any operating voltage that is within specifications.

When the temperature circuit is operated in high range, the device operating voltage, V_{DD} , must be high enough to ensure that the temperature circuit is correctly biased.

Table 15-1 shows the recommended minimum V_{DD} vs. range setting.

TABLE 15-1: RECOMMENDED V_{DD} VS. RANGE

Min. V_{DD} , TSRNG = 1	Min. V_{DD} , TSRNG = 0
3.6V	1.8V

15.3 Temperature Output

The output of the circuit is measured using the internal Analog-to-Digital Converter. A channel is reserved for the temperature circuit output. Refer to Section 16.0 "Analog-to-Digital Converter (ADC) Module" for detailed information.

15.4 ADC Acquisition Time

To ensure accurate temperature measurements, the user must wait at least 200 μ s after the ADC input multiplexer is connected to the temperature indicator output before the conversion is performed. In addition, the user must wait 200 μ s between sequential conversions of the temperature indicator output.

TABLE 15-2: SUMMARY OF REGISTERS ASSOCIATED WITH THE TEMPERATURE INDICATOR

Name	Bit 7	Bit 6	Bit 5	Bit 4	Bit 3	Bit 2	Bit 1	Bit 0	Register on page
FVRCON	FVREN	FVRRDY	TSEN	TSRNG	CDFVR<1:0>		ADFVR<1:0>		223

Legend: Shaded cells are unused by the temperature indicator module.

PIC16(L)F1777/8/9

16.0 ANALOG-TO-DIGITAL CONVERTER (ADC) MODULE

The ADC can generate an interrupt upon completion of a conversion. This interrupt can be used to wake-up the device from Sleep.

The Analog-to-Digital Converter (ADC) allows conversion of an analog input signal to a 10-bit binary representation of that signal. This device uses analog inputs, which are multiplexed into a single sample and hold circuit. The output of the sample and hold is connected to the input of the converter. The converter generates a 10-bit binary result via successive approximation and stores the conversion result into the ADC result registers (ADRESH:ADRESL register pair). Figure 16-1 shows the block diagram of the ADC.

The ADC voltage reference is software selectable to be either internally generated or externally supplied.

FIGURE 16-1: ADC BLOCK DIAGRAM



16.1 ADC Configuration

When configuring and using the ADC the following functions must be considered:

- Port configuration
- Channel selection
- ADC voltage reference selection
- ADC conversion clock source
- Interrupt control
- Result formatting

16.1.1 PORT CONFIGURATION

The ADC can be used to convert both analog and digital signals. When converting analog signals, the I/O pin should be configured for analog by setting the associated TRIS and ANSEL bits. Refer to [Section 11.0 “I/O Ports”](#) for more information.

Note: Analog voltages on any pin that is defined as a digital input may cause the input buffer to conduct excess current.

16.1.2 CHANNEL SELECTION

There are up to 27 channel selections available:

- AN<4:0> pins (PIC16(L)F1778 only)
- AN<11:8> pins (PIC16(L)F1778 only)
- AN<27:0> pins (PIC16(L)F1777/9 only)
- Temperature Indicator
- DAC1_output and DAC3_output
- DAC2_output and DAC4_output (PIC16(L)F1777/9 only)
- FVR_buffer1

The CHS bits of the ADCON0 register ([Register 16-1](#)) determine which channel is connected to the sample and hold circuit.

When changing channels, a delay is required before starting the next conversion. Refer to [Section 16.2 “ADC Operation”](#) for more information.

16.1.3 ADC POSITIVE VOLTAGE REFERENCE

The ADPREF bits of the ADCON1 register provide control of the positive voltage reference. The positive voltage reference can be:

- VREF+ pin
- VDD
- FVR 2.048V
- FVR 4.096V (Not available on LF devices)
- VSS

See [Section 16.0 “Analog-to-Digital Converter \(ADC\) Module”](#) for more details on the Fixed Voltage Reference.

16.1.4 ADC NEGATIVE VOLTAGE REFERENCE

The ADNREF bit of the ADCON1 register provides control of the negative voltage reference. The negative voltage reference can be:

- VREF- pin
- VSS

16.1.5 CONVERSION CLOCK

The source of the conversion clock is software selectable via the ADCS bits of the ADCON1 register. There are seven possible clock options:

- FOSC/2
- FOSC/4
- FOSC/8
- FOSC/16
- FOSC/32
- FOSC/64
- FRC (internal RC oscillator)

The time to complete one bit conversion is defined as TAD. One full 10-bit conversion requires 11.5 TAD periods as shown in [Figure 16-2](#).

For correct conversion, the appropriate TAD specification must be met. Refer to [Table 36-16: ADC Conversion Requirements](#) for more information. [Table 16-1](#) gives examples of appropriate ADC clock selections.

Note: Unless using the FRC, any changes in the system clock frequency will change the ADC clock frequency, which may adversely affect the ADC result.

PIC16(L)F1777/8/9

TABLE 16-1: ADC CLOCK PERIOD (TAD) Vs. DEVICE OPERATING FREQUENCIES

ADC Clock Period (TAD)		Device Frequency (Fosc)					
ADC Clock Source	ADCS<2:0>	32 MHz	20 MHz	16 MHz	8 MHz	4 MHz	1 MHz
Fosc/2	000	62.5ns ⁽²⁾	100 ns ⁽²⁾	125 ns ⁽²⁾	250 ns ⁽²⁾	500 ns ⁽²⁾	2.0 μs
Fosc/4	100	125 ns ⁽²⁾	200 ns ⁽²⁾	250 ns ⁽²⁾	500 ns ⁽²⁾	1.0 μs	4.0 μs
Fosc/8	001	0.5 μs ⁽²⁾	400 ns ⁽²⁾	0.5 μs ⁽²⁾	1.0 μs	2.0 μs	8.0 μs ⁽³⁾
Fosc/16	101	800 ns	800 ns	1.0 μs	2.0 μs	4.0 μs	16.0 μs ⁽³⁾
Fosc/32	010	1.0 μs	1.6 μs	2.0 μs	4.0 μs	8.0 μs ⁽³⁾	32.0 μs ⁽²⁾
Fosc/64	110	2.0 μs	3.2 μs	4.0 μs	8.0 μs ⁽³⁾	16.0 μs ⁽²⁾	64.0 μs ⁽²⁾
FRC	x11	1.0-6.0 μs ^(1,4)	1.0-6.0 μs ^(1,4)	1.0-6.0 μs ^(1,4)	1.0-6.0 μs ^(1,4)	1.0-6.0 μs ^(1,4)	1.0-6.0 μs ^(1,4)

Legend: Shaded cells are outside of recommended range.

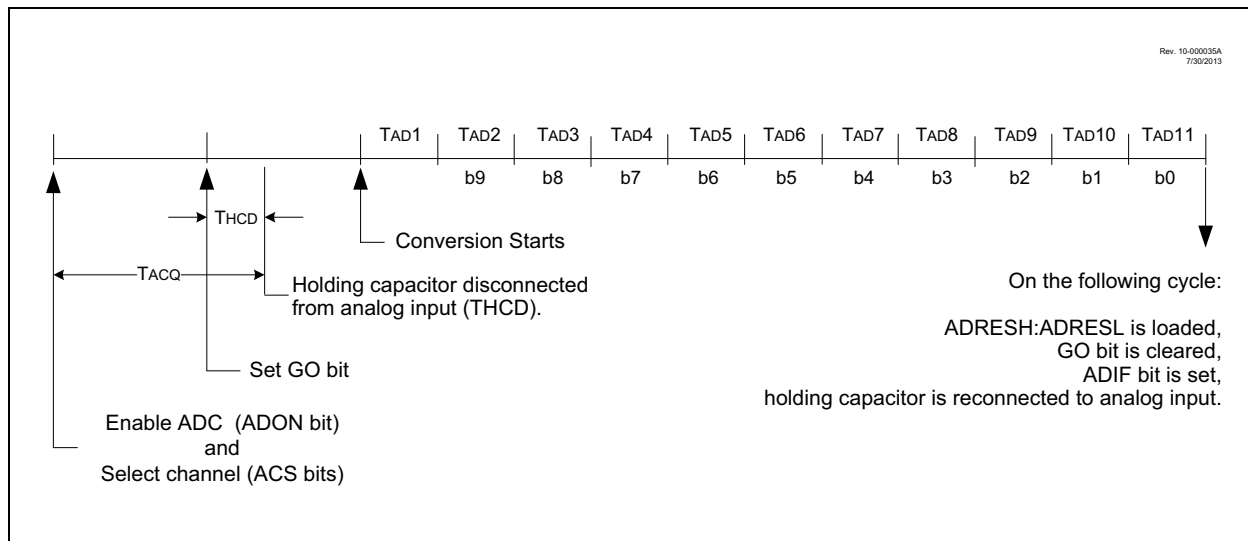
Note 1: See TAD parameter for FRC source typical TAD value.

2: These values violate the required TAD time.

3: Outside the recommended TAD time.

4: The ADC clock period (TAD) and total ADC conversion time can be minimized when the ADC clock is derived from the system clock FOSC. However, the FRC oscillator source must be used when conversions are to be performed with the device in Sleep mode.

FIGURE 16-2: ANALOG-TO-DIGITAL CONVERSION TAD CYCLES



16.1.6 INTERRUPTS

The ADC module allows for the ability to generate an interrupt upon completion of an Analog-to-Digital conversion. The ADC Interrupt Flag is the ADIF bit in the PIR1 register. The ADC Interrupt Enable is the ADIE bit in the PIE1 register. The ADIF bit must be cleared in software.

Note 1: The ADIF bit is set at the completion of every conversion, regardless of whether or not the ADC interrupt is enabled.

2: The ADC operates during Sleep only when the FRC oscillator is selected.

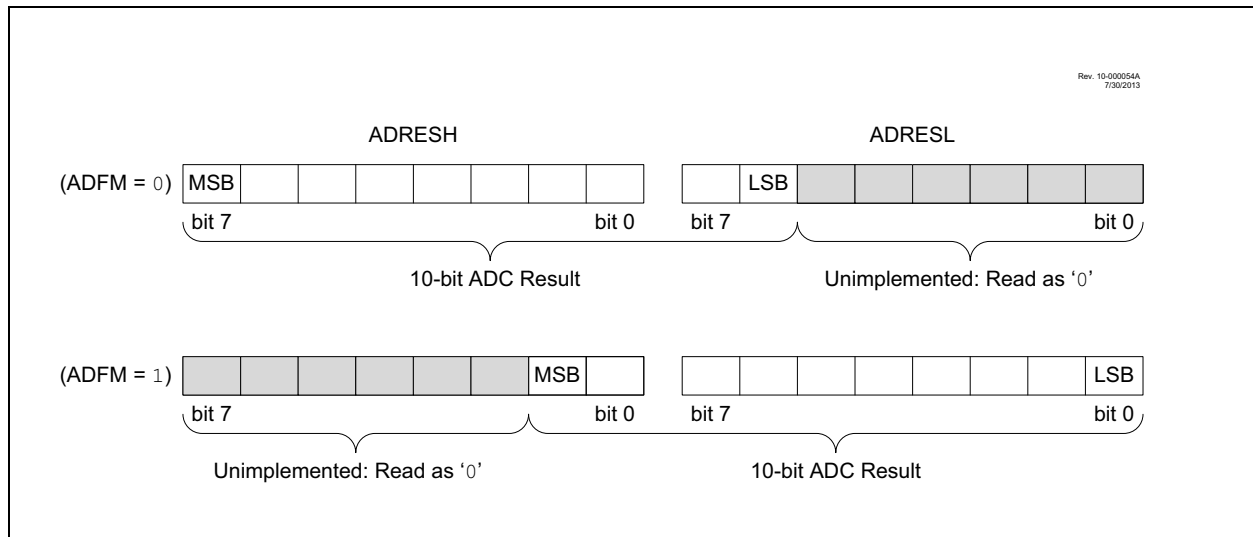
This interrupt can be generated while the device is operating or while in Sleep. If the device is in Sleep, the interrupt will wake-up the device. Upon waking from Sleep, the next instruction following the SLEEP instruction is always executed. If the user is attempting to wake-up from Sleep and resume in-line code execution, the ADIE bit of the PIE1 register and the PEIE bit of the INTCON register must both be set and the GIE bit of the INTCON register must be cleared. If all three of these bits are set, the execution will switch to the Interrupt Service Routine.

16.1.7 RESULT FORMATTING

The 10-bit ADC conversion result can be supplied in two formats, left justified or right justified. The ADFM bit of the ADCON1 register controls the output format.

Figure 16-3 shows the two output formats.

FIGURE 16-3: 10-BIT ADC CONVERSION RESULT FORMAT



PIC16(L)F1777/8/9

16.2 ADC Operation

16.2.1 STARTING A CONVERSION

To enable the ADC module, the ADON bit of the ADCON0 register must be set to a '1'. Setting the GO/DONE bit of the ADCON0 register to a '1' will start the Analog-to-Digital conversion.

Note: The GO/DONE bit should not be set in the same instruction that turns on the ADC. Refer to [Section 16.2.6 “ADC Conversion Procedure”](#).

16.2.2 COMPLETION OF A CONVERSION

When the conversion is complete, the ADC module will:

- Clear the GO/DONE bit
- Set the ADIF Interrupt Flag bit
- Update the ADRESH and ADRESL registers with new conversion result

16.2.3 TERMINATING A CONVERSION

If a conversion must be terminated before completion, the GO/DONE bit can be cleared in software. The ADRESH and ADRESL registers will be updated with the partially complete Analog-to-Digital conversion sample. Incomplete bits will match the last bit converted.

Note: A device Reset forces all registers to their Reset state. Thus, the ADC module is turned off and any pending conversion is terminated.

16.2.4 ADC OPERATION DURING SLEEP

The ADC module can operate during Sleep. This requires the ADC clock source to be set to the FRC option. When the FRC oscillator source is selected, the ADC waits one additional instruction before starting the conversion. This allows the SLEEP instruction to be executed, which can reduce system noise during the conversion. If the ADC interrupt is enabled, the device will wake-up from Sleep when the conversion completes. If the ADC interrupt is disabled, the ADC module is turned off after the conversion completes, although the ADON bit remains set.

When the ADC clock source is something other than FRC, a SLEEP instruction causes the present conversion to be aborted and the ADC module is turned off, although the ADON bit remains set.

16.2.5 AUTO-CONVERSION TRIGGER

The Auto-conversion Trigger allows periodic ADC measurements without software intervention. When a rising edge of the selected source occurs, the GO/DONE bit is set by hardware.

The Auto-conversion Trigger source is selected with the TRIGSEL<5:0> bits of the ADCON2 register.

Using the Auto-conversion Trigger does not assure proper ADC timing. It is the user's responsibility to ensure that the ADC timing requirements are met.

See [Table 16-2](#) for auto-conversion sources.

TABLE 16-2: AUTO-CONVERSION SOURCES

Source Peripheral	Signal Name
CCP1	CCP1_trigger
CCP2	CCP2_trigger
CCP7	CCP7_trigger
CCP8 ⁽¹⁾	CCP8_trigger
Timer0	T0_overflow
Timer1	T1_overflow
Timer3	T3_overflow
Timer5	T5_overflow
Timer2	T2_postscaled
Timer4	T4_postscaled
Timer6	T6_postscaled
Timer8	T8_postscaled
Comparator C1	sync_C1OUT
Comparator C2	sync_C2OUT
Comparator C3	sync_C3OUT
Comparator C4	sync_C4OUT
Comparator C5	sync_C5OUT
Comparator C6	sync_C6OUT
Comparator C7 ⁽¹⁾	sync_C7OUT
Comparator C8 ⁽¹⁾	sync_C8OUT
CLC1	LC1_out
CLC2	LC2_out
CLC3	LC3_out
CLC4	LC4_out
PWM3	PWM3OUT
PWM4	PWM4OUT
PWM9	PWM9OUT
PWM9	PR/PH/OF/DC9_match
PWM5	PR/PH/OF/DC5_match
PWM6	PR/PH/OF/DC6_match
PWM10 ⁽¹⁾	PR/PH/OF/DC10_match
PWM11	PR/PH/OF/DC11_match
PWM12 ⁽¹⁾	PR/PH/OF/DC12_match
ADCACT	ADCACTPPS Pin

Note 1: PIC16(L)F1777/9 only.

16.2.6 ADC CONVERSION PROCEDURE

This is an example procedure for using the ADC to perform an Analog-to-Digital conversion:

1. Configure Port:
 - Disable pin output driver (refer to the TRIS register)
 - Configure pin as analog (refer to the ANSEL register)
 - Disable weak pull-ups either globally (refer to the OPTION_REG register) or individually (refer to the appropriate WPUx register)
2. Configure the ADC module:
 - Select ADC conversion clock
 - Configure voltage reference
 - Select ADC input channel
 - Turn on ADC module
3. Configure ADC interrupt (optional):
 - Clear ADC interrupt flag
 - Enable ADC interrupt
 - Enable peripheral interrupt
 - Enable global interrupt⁽¹⁾
4. Wait the required acquisition time⁽²⁾.
5. Start conversion by setting the GO/DONE bit.
6. Wait for ADC conversion to complete by one of the following:
 - Polling the GO/DONE bit
 - Waiting for the ADC interrupt (interrupts enabled)
7. Read ADC Result.
8. Clear the ADC interrupt flag (required if interrupt is enabled).

EXAMPLE 16-1: ADC CONVERSION

```

;This code block configures the ADC
;for polling, Vdd and Vss references, FRC
;oscillator and AN0 input.
;
;Conversion start & polling for completion
; are included.
;
BANKSEL    ADCON1    ;
MOVLW     B'11110000' ;Right justify, FRC
                                ;oscillator
MOVWF     ADCON1    ;Vdd and Vss Vref
BANKSEL    TRISA     ;
BSF       TRISA,0   ;Set RA0 to input
BANKSEL    ANSEL     ;
BSF       ANSEL,0   ;Set RA0 to analog
BANKSEL    WPUA     ;
BCF       WPUA,0    ;Disable weak
                                ;pull-up on RA0

BANKSEL    ADCON0    ;
MOVLW     B'00000001' ;Select channel AN0
MOVWF     ADCON0    ;Turn ADC On
CALL      SampleTime ;Acquisiton delay
BSF       ADCON0,ADGO ;Start conversion
BTFSC    ADCON0,ADGO ;Is conversion done?
GOTO     $-1        ;No, test again
BANKSEL    ADRESH    ;
MOVF      ADRESH,W   ;Read upper 2 bits
MOVWF     RESULTHI   ;store in GPR space
BANKSEL    ADRESL    ;
MOVF      ADRESL,W   ;Read lower 8 bits
MOVWF     RESULTLO   ;Store in GPR space
    
```

Note 1: The global interrupt can be disabled if the user is attempting to wake-up from Sleep and resume in-line code execution.

2: Refer to [Section 16.4 “ADC Acquisition Requirements”](#).

PIC16(L)F1777/8/9

16.3 Register Definitions: ADC Control

REGISTER 16-1: ADON0: ADC CONTROL REGISTER 0

R/W-0/0	R/W-0/0	R/W-0/0	R/W-0/0	R/W-0/0	R/W-0/0	R/W-0/0	R/W-0/0
CHS<5:0>						GO/DONE	ADON
bit 7						bit 0	

Legend:

R = Readable bit	W = Writable bit	U = Unimplemented bit, read as '0'
u = Bit is unchanged	x = Bit is unknown	-n/n = Value at POR and BOR/Value at all other Resets
'1' = Bit is set	'0' = Bit is cleared	

bit 7-2

CHS<5:0>: Analog Channel Select bits

111111 = FVR (Fixed Voltage Reference) Buffer 1 Output⁽²⁾

111110 = DAC1_output⁽¹⁾

111101 = Temperature Indicator⁽³⁾

111100 = DAC2_output⁽¹⁾

111011 = DAC3_output⁽⁴⁾

111010 = DAC4_output⁽⁴⁾

111001 = DAC5_output⁽⁴⁾

111000 = DAC6_output^(4,6)

110111 = DAC7_output⁽⁴⁾

110110 = DAC8_output^(1,6)

110101 = Reserved. No channel connected.

110010 = Switched AN18⁽⁵⁾

110001 = Reserved. No channel connected.

•

•

•

101011 = Reserved. No channel connected.

101010 = Switched AN10⁽⁵⁾

101001 = Reserved. No channel connected.

•

•

•

100010 = Reserved. No channel connected.

100001 = Switched AN1⁽⁵⁾

011100 = Reserved. No channel connected.

011011 = AN27⁽⁶⁾

011010 = AN26⁽⁶⁾

011001 = AN25⁽⁶⁾

011000 = AN24⁽⁶⁾

010111 = AN23⁽⁶⁾

010110 = AN22⁽⁶⁾

010101 = AN21⁽⁶⁾

010100 = AN20⁽⁶⁾

010011 = AN19

010010 = AN18

010001 = AN17

010000 = AN16

001111 = AN15

001110 = AN14

001101 = AN13

001100 = AN12

001011 = AN11

001010 = AN10

001001 = AN9

001000 = AN8

000111 = AN7⁽⁶⁾

000110 = AN6⁽⁶⁾

000101 = AN5⁽⁶⁾

000100 = AN4

000011 = AN3

000010 = AN2

000001 = AN1

000000 = AN0

REGISTER 16-1: ADCON0: ADC CONTROL REGISTER 0 (CONTINUED)

bit 1 **GO/DONE**: ADC Conversion Status bit
1 = ADC conversion cycle in progress. Setting this bit starts an ADC conversion cycle.
This bit is automatically cleared by hardware when the ADC conversion has completed.
0 = ADC conversion completed/not in progress

bit 0 **ADON**: ADC Enable bit
1 = ADC is enabled
0 = ADC is disabled and consumes no operating current

- Note**
- 1: See [Section 17.0 "5-Bit Digital-to-Analog Converter \(DAC\) Module"](#) for more information.
 - 2: See [Section 14.0 "Fixed Voltage Reference \(FVR\)"](#) for more information.
 - 3: See [Section 15.0 "Temperature Indicator Module"](#) for more information.
 - 4: See [Section 18.0 "10-bit Digital-to-Analog Converter \(DAC\) Module"](#) for more information.
 - 5: Input source is switched off when op amp override is forcing tri-state. See [Section 29.3 "Override Control"](#)
 - 6: PIC16(L)F1777/9 only.

PIC16(L)F1777/8/9

REGISTER 16-2: ADCON1: ADC CONTROL REGISTER 1

R/W-0/0	R/W-0/0	R/W-0/0	R/W-0/0	U-0	R/W-0/0	R/W-0/0	R/W-0/0
ADFM	ADCS<2:0>			—	ADNREF	ADPREF<1:0>	
bit 7							bit 0

Legend:

R = Readable bit	W = Writable bit	U = Unimplemented bit, read as '0'
u = Bit is unchanged	x = Bit is unknown	-n/n = Value at POR and BOR/Value at all other Resets
'1' = Bit is set	'0' = Bit is cleared	

- bit 7 **ADFM:** ADC Result Format Select bit
 1 = Right justified. Six Most Significant bits of ADRESH are set to '0' when the conversion result is loaded.
 0 = Left justified. Six Least Significant bits of ADRESL are set to '0' when the conversion result is loaded.
- bit 6-4 **ADCS<2:0>:** ADC Conversion Clock Select bits
 111 = FRC (clock supplied from an internal RC oscillator)
 110 = Fosc/64
 101 = Fosc/16
 100 = Fosc/4
 011 = FRC (clock supplied from an internal RC oscillator)
 010 = Fosc/32
 001 = Fosc/8
 000 = Fosc/2
- bit 3 **Unimplemented:** Read as '0'
- bit 2 **ADNREF:** ADC Negative Voltage Reference Configuration bit
 1 = VREF- is connected to external VREF- pin
 0 = VREF- is connected to VSS
- bit 1-0 **ADPREF<1:0>:** ADC Positive Voltage Reference Configuration bits
 11 = VREF+ is connected to internal Fixed Voltage Reference (FVR) module⁽¹⁾
 10 = VREF+ is connected to external VREF+ pin⁽¹⁾
 01 = Reserved
 00 = VREF+ is connected to VDD

Note 1: When selecting the VREF+ pin as the source of the positive reference, be aware that a minimum voltage specification exists. See [Table 36-16: ADC Conversion Requirements](#) for details.

REGISTER 16-3: ADCON2: ADC CONTROL REGISTER 2

U-0	U-0	R/W-0/0	R/W-0/0	R/W-0/0	R/W-0/0	R/W-0/0	R/W-0/0
—	—	TRIGSEL<5:0> ⁽¹⁾					
bit 7							bit 0

Legend:

R = Readable bit	W = Writable bit	U = Unimplemented bit, read as '0'
u = Bit is unchanged	x = Bit is unknown	-n/n = Value at POR and BOR/Value at all other Resets
'1' = Bit is set	'0' = Bit is cleared	

bit 7-6	Unimplemented: Read as '0'
bit 5-0	TRIGSEL<5:0>: Auto-Conversion Trigger Selection bits ⁽¹⁾
	101101 = PWM12 – OF12_match ⁽²⁾
	101100 = PWM12 – PH12_match ⁽²⁾
	101011 = PWM12 – PR12_match ⁽²⁾
	101010 = PWM12 – DC12_match ⁽²⁾
	101001 = PWM11 – OF11_match
	101000 = PWM11 – PH11_match
	100111 = PWM11 – PR11_match
	100110 = PWM11 – DC11_match
	100101 = PWM6 – OF6_match
	100100 = PWM6 – PH6_match
	100011 = PWM6 – PR6_match
	100010 = PWM6 – DC6_match
	100001 = PWM5 – PH5_match
	100000 = PWM5 – PH5_match
	011111 = PWM5 – PH5_match
	011110 = PWM5 – PH5_match
	011101 = PWM10 – PWM10OUT ⁽²⁾
	011100 = PWM9 – PWM9OUT
	011011 = PWM4 – PWM4OUT
	011010 = PWM3 – PWM3OUT
	011001 = CCP8 – CCP8_trigger ⁽²⁾
	011000 = CCP7 – CCP7_trigger
	010111 = CCP2 – CCP2_trigger
	010110 = CCP1 – CCP1_trigger
	010101 = CLC4 – LC4_out
	010100 = CLC3 – LC3_out
	010011 = CLC2 – LC2_out
	010010 = CLC1 – LC1_out
	010001 = Comparator C8 – sync_C8OUT ⁽²⁾
	010000 = Comparator C7 – sync_C7OUT ⁽²⁾
	001111 = Comparator C6 – sync_C6OUT
	001110 = Comparator C5 – sync_C5OUT
	001101 = Comparator C4 – sync_C4OUT
	001100 = Comparator C3 – sync_C3OUT
	001011 = Comparator C2 – sync_C2OUT
	001010 = Comparator C1 – sync_C1OUT
	001001 = Timer8 – T8_postscaled
	001000 = Timer6 – T6_postscaled
	000111 = Timer5 – T5_overflow
	000110 = Timer4 – T4_postscaled
	000101 = Timer3 – T3_overflow
	000100 = Timer2 – T2_postscaled
	000011 = Timer1 – T1_overflow
	000010 = Timer0 – T0_overflow
	000001 = ADCACT – ADCACTPPS Pin
	000000 = No Auto-conversion Trigger selected

- Note 1:** This is a rising edge sensitive input for all sources.
Note 2: PIC16(L)F1777/9 only.

PIC16(L)F1777/8/9

REGISTER 16-4: ADRESH: ADC RESULT REGISTER HIGH (ADRESH) ADFM = 0

R/W-x/u	R/W-x/u	R/W-x/u	R/W-x/u	R/W-x/u	R/W-x/u	R/W-x/u	R/W-x/u
ADRES<9:2>							
bit 7							bit 0

Legend:

R = Readable bit W = Writable bit U = Unimplemented bit, read as '0'
u = Bit is unchanged x = Bit is unknown -n/n = Value at POR and BOR/Value at all other Resets
'1' = Bit is set '0' = Bit is cleared

bit 7-0 **ADRES<9:2>**: ADC Result Register bits
Upper eight bits of 10-bit conversion result

REGISTER 16-5: ADRESL: ADC RESULT REGISTER LOW (ADRESL) ADFM = 0

R/W-x/u	R/W-x/u	R/W-x/u	R/W-x/u	R/W-x/u	R/W-x/u	R/W-x/u	R/W-x/u
ADRES<1:0>		—	—	—	—	—	—
bit 7							bit 0

Legend:

R = Readable bit W = Writable bit U = Unimplemented bit, read as '0'
u = Bit is unchanged x = Bit is unknown -n/n = Value at POR and BOR/Value at all other Resets
'1' = Bit is set '0' = Bit is cleared

bit 7-6 **ADRES<1:0>**: ADC Result Register bits
Lower two bits of 10-bit conversion result

bit 5-0 **Reserved**: Do not use.

REGISTER 16-6: ADRESH: ADC RESULT REGISTER HIGH (ADRESH) ADFM = 1

R/W-x/u	R/W-x/u	R/W-x/u	R/W-x/u	R/W-x/u	R/W-x/u	R/W-x/u	R/W-x/u
—	—	—	—	—	—	ADRES<9:8>	
bit 7							bit 0

Legend:

R = Readable bit	W = Writable bit	U = Unimplemented bit, read as '0'
u = Bit is unchanged	x = Bit is unknown	-n/n = Value at POR and BOR/Value at all other Resets
'1' = Bit is set	'0' = Bit is cleared	

bit 7-2 **Reserved:** Do not use.
bit 1-0 **ADRES<9:8>:** ADC Result Register bits
Upper two bits of 10-bit conversion result

REGISTER 16-7: ADRESL: ADC RESULT REGISTER LOW (ADRESL) ADFM = 1

R/W-x/u	R/W-x/u	R/W-x/u	R/W-x/u	R/W-x/u	R/W-x/u	R/W-x/u	R/W-x/u
ADRES<7:0>							
bit 7							bit 0

Legend:

R = Readable bit	W = Writable bit	U = Unimplemented bit, read as '0'
u = Bit is unchanged	x = Bit is unknown	-n/n = Value at POR and BOR/Value at all other Resets
'1' = Bit is set	'0' = Bit is cleared	

bit 7-0 **ADRES<7:0>:** ADC Result Register bits
Lower eight bits of 10-bit conversion result

PIC16(L)F1777/8/9

16.4 ADC Acquisition Requirements

For the ADC to meet its specified accuracy, the charge holding capacitor (CHOLD) must be allowed to fully charge to the input channel voltage level. The Analog Input model is shown in Figure 16-4. The source impedance (RS) and the internal sampling switch (RSS) impedance directly affect the time required to charge the capacitor CHOLD. The sampling switch (RSS) impedance varies over the device voltage (VDD), refer to Figure 16-4. **The maximum recommended impedance for analog sources is 10 kΩ.** As the

source impedance is decreased, the acquisition time may be decreased. After the analog input channel is selected (or changed), an ADC acquisition must be done before the conversion can be started. To calculate the minimum acquisition time, Equation 16-1 may be used. This equation assumes that 1/2 LSB error is used (1,024 steps for the ADC). The 1/2 LSB error is the maximum error allowed for the ADC to meet its specified resolution.

EQUATION 16-1: ACQUISITION TIME EXAMPLE^(1,2,3)

Assumptions: Temperature = 50°C and external impedance of 10kΩ 5.0V VDD

$$\begin{aligned}TACQ &= \text{Amplifier Settling Time} + \text{Hold Capacitor Charging Time} + \text{Temperature Coefficient} \\ &= TAMP + TC + TCOFF \\ &= 2\mu\text{s} + TC + [(Temperature - 25^\circ\text{C})(0.05\mu\text{s}/^\circ\text{C})]\end{aligned}$$

The value for TC can be approximated with the following equations:

$$V_{APPLIED} \left(1 - \frac{1}{(2^{n+1}) - 1} \right) = V_{CHOLD} \quad ;[1] \text{ } V_{CHOLD} \text{ charged to within } 1/2 \text{ lsb}$$

$$V_{APPLIED} \left(1 - e^{-\frac{TC}{RC}} \right) = V_{CHOLD} \quad ;[2] \text{ } V_{CHOLD} \text{ charge response to } V_{APPLIED}$$

$$V_{APPLIED} \left(1 - e^{-\frac{TC}{RC}} \right) = V_{APPLIED} \left(1 - \frac{1}{(2^{n+1}) - 1} \right) \quad ;\text{combining [1] and [2]}$$

Note: Where n = number of bits of the ADC.

Solving for TC:

$$\begin{aligned}TC &= -CHOLD(RIC + RSS + RS) \ln(1/2047) \\ &= -10\text{pF}(1\text{k}\Omega + 7\text{k}\Omega + 10\text{k}\Omega) \ln(0.0004885) \\ &= 1.37\mu\text{s}\end{aligned}$$

Therefore:

$$\begin{aligned}TACQ &= 2\mu\text{s} + 892\text{ns} + [(50^\circ\text{C} - 25^\circ\text{C})(0.05\mu\text{s}/^\circ\text{C})] \\ &= 4.62\mu\text{s}\end{aligned}$$

Note 1: The reference voltage (VREF) has no effect on the equation, since it cancels itself out.

2: The charge holding capacitor (CHOLD) is not discharged after each conversion.

3: The maximum recommended impedance for analog sources is 10 kΩ. This is required to meet the pin leakage specification.

FIGURE 16-4: ANALOG INPUT MODEL

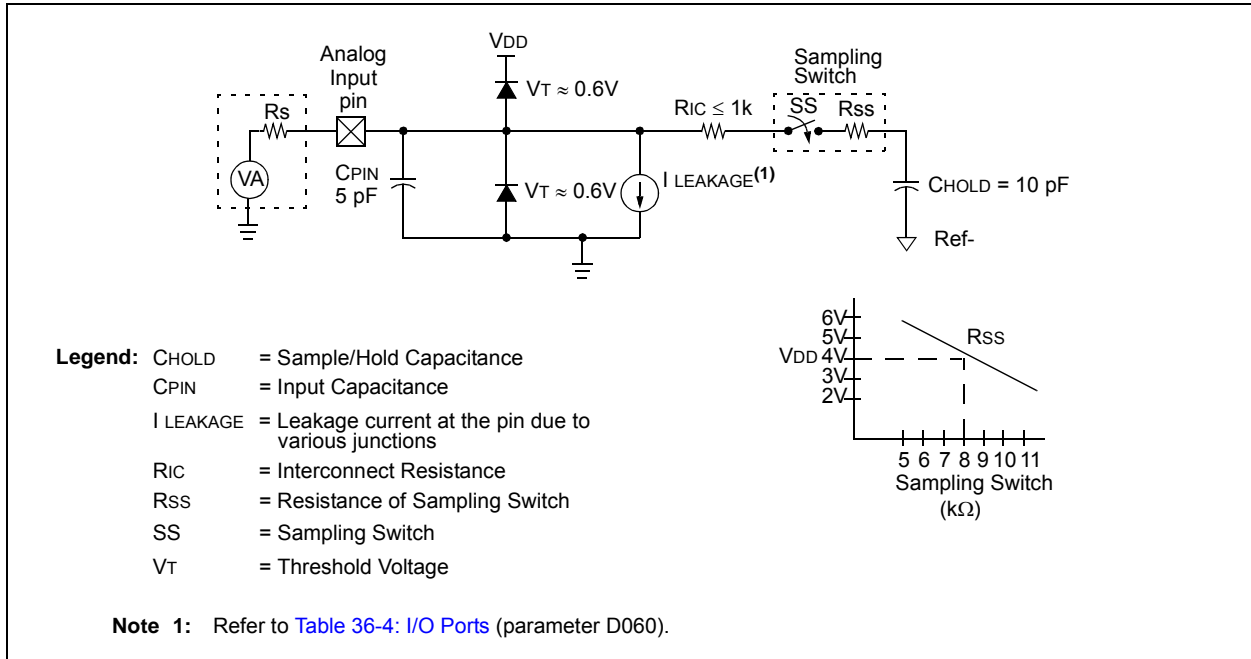
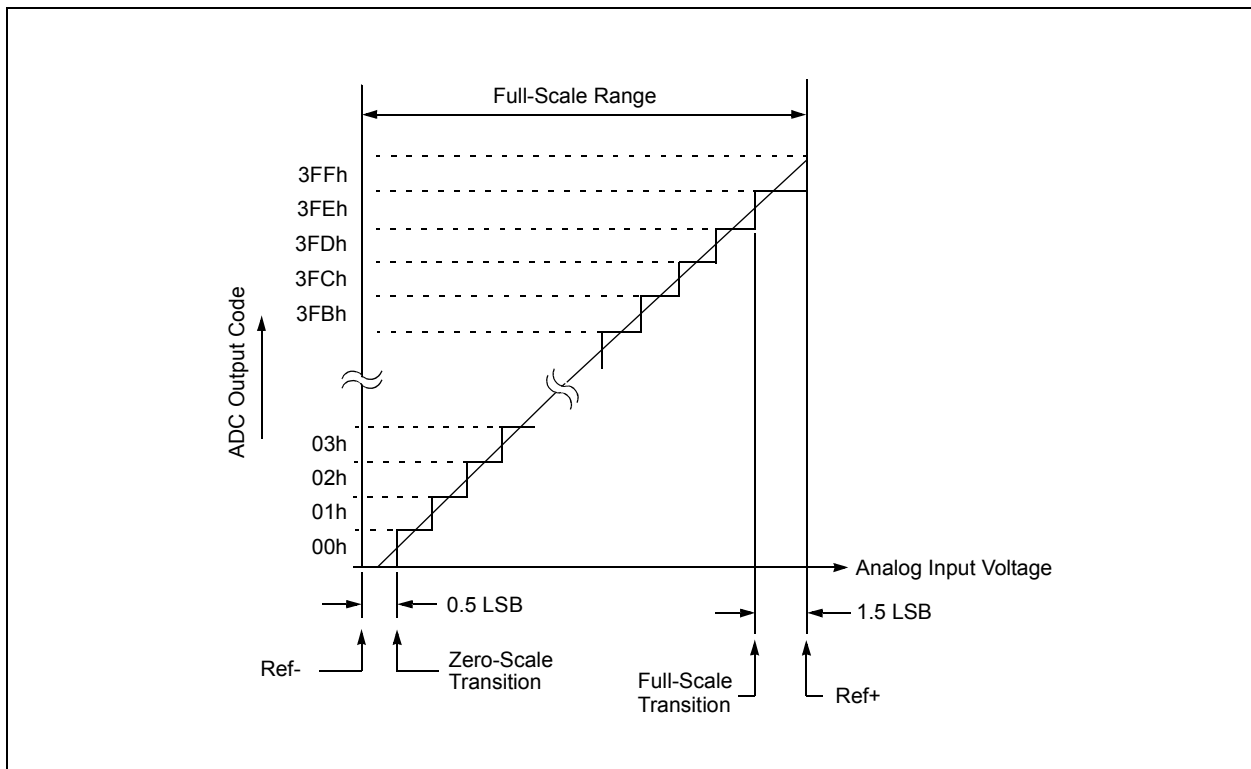


FIGURE 16-5: ADC TRANSFER FUNCTION



PIC16(L)F1777/8/9

TABLE 16-3: SUMMARY OF REGISTERS ASSOCIATED WITH ADC

Name	Bit 7	Bit 6	Bit 5	Bit 4	Bit 3	Bit 2	Bit 1	Bit 0	Register on Page
ADCON0	CHS<5:0>						GO/DONE	ADON	232
ADCON1	ADFM	ADCS<2:0>			—	ADNREF	ADPREF<1:0>		234
ADCON2	—	—	TRIGSEL<5:0>						235
ADRESH	ADC Result Register High								236, 237
ADRESL	ADC Result Register Low								236, 237
ANSELA	—	—	ANSA5	ANSA4	ANSA3	ANSA2	ANSA1	ANSA0	177
ANSELB	—	—	ANSB5	ANSB4	ANSB3	ANSB2	ANSB1	ANSB0	182
ANSELC	ANSC7	ANSC6	ANSC5	ANSC4	ANSC3	ANSC2	—	—	187
FVRCON	FVREN	FVRRDY	TSEN	TSRNG	CDAFVR<1:0>		ADFVR<1:0>		223
DAC1CON0	EN	FM	OE1	OE2	PSS<1:0>		NSS<1:0>		244
DAC2CON0	EN	FM	OE1	OE2	PSS<1:0>		NSS<1:0>		244
DAC5CON0	EN	FM	OE1	OE2	PSS<1:0>		NSS<1:0>		244
INTCON	GIE	PEIE	TMR0IE	INTE	IOCIE	TMR0IF	INTF	IOCIF	132
PIE1	TMR1GIE	ADIE	RCIE	TXIE	SSP1IE	CCP1IE	TMR2IE	TMR1IE	133
PIR1	TMR1GIF	ADIF	RCIF	TXIF	SSP1IF	CCP1IF	TMR2IF	TMR1IF	139
TRISA	TRISA7	TRISA6	TRISA5	TRISA4	TRISA3	TRISA2	TRISA1	TRISA0	176
TRISB	TRISB7	TRISB6	TRISB5	TRISB4	TRISB6	TRISB6	TRISB1	TRISB0	181
TRISC	TRISC7	TRISC6	TRISC5	TRISC4	TRISC3	TRISC2	TRISC1	TRISC0	186

Legend: x = unknown, u = unchanged, — = unimplemented read as '0', q = value depends on condition. Shaded cells are not used for the ADC module.

17.0 5-BIT DIGITAL-TO-ANALOG CONVERTER (DAC) MODULE

The Digital-to-Analog Converter supplies a variable voltage reference, ratiometric with the input source, with 32 selectable output levels.

The input of the DAC can be connected to:

- External VREF pins
- VDD supply voltage
- FVR (Fixed Voltage Reference)

The output of the DAC can be configured to supply a reference voltage to the following:

- Comparator positive input
- Operational amplifier inverting and non-inverting inputs
- ADC input channel
- DACxOUTx pin

TABLE 17-1: AVAILABLE 5-BIT DACS

Device	DAC3	DAC4	DAC7	DAC8
PIC16(L)F1778	•	•	•	
PIC16(L)F1777/9	•	•	•	•

The Digital-to-Analog Converter (DAC) is enabled by setting the EN bit of the DACxCON0 register.

17.1 Output Voltage Selection

The DAC has 32 voltage level ranges. The 32 levels are set with the REF<4:0> bits of the DACxREF register.

The DAC output voltage is determined by [Equation 17-1](#):

EQUATION 17-1: DAC OUTPUT VOLTAGE

$$\begin{aligned}
 & \text{IF } \text{DACxEN} = 1 \\
 V_{\text{OUT}} &= \left((V_{\text{SOURCE+}} - V_{\text{SOURCE-}}) \times \frac{\text{DACxR}[4:0]}{2^5} \right) + V_{\text{SOURCE-}} \\
 V_{\text{SOURCE+}} &= V_{\text{DD}}, V_{\text{REF}}, \text{ or } FVR \text{ BUFFER } 2 \\
 V_{\text{SOURCE-}} &= V_{\text{SS}}
 \end{aligned}$$

17.2 Ratiometric Output Level

The DAC output value is derived using a resistor ladder with each end of the ladder tied to a positive and negative voltage reference input source. If the voltage of either input source fluctuates, a similar fluctuation will result in the DAC output value.

The value of the individual resistors within the ladder can be found in [Table 36-20: 10-bit Digital-to-Analog Converter \(DAC\) Specifications](#).

17.3 DAC Voltage Reference Output

The DAC voltage can be output to the DACxOUTx pin by setting the OEx bit of the DACxCON0 register. Selecting the DAC voltage for output on the DACxOUTx pin automatically overrides the digital output buffer and digital input threshold detector functions of that pin. Reading the DACxOUTx pin when it has been configured for DAC voltage output will always return a '0'.

Due to the limited current drive capability, a buffer must be used on the DAC voltage output for external connections to the DACxOUTx pin. [Figure 17-2](#) shows an example buffering technique.

PIC16(L)F1777/8/9

FIGURE 17-1: DIGITAL-TO-ANALOG CONVERTER BLOCK DIAGRAM



FIGURE 17-2: VOLTAGE REFERENCE OUTPUT BUFFER EXAMPLE



17.4 Operation During Sleep

The DAC continues to function during Sleep. When the device wakes up from Sleep through an interrupt or a Watchdog Timer time-out, the contents of the DACxCON0 register are not affected. To minimize current consumption in Sleep mode, the voltage reference should be disabled.

17.5 Effects of a Reset

A device Reset affects the following:

- DAC is disabled.
- DAC output voltage is removed from the DACxOUTx pin.
- The REF<4:0> voltage reference control bits are cleared.

PIC16(L)F1777/8/9

17.6 Register Definitions: DAC Control

Long bit name prefixes for the 5-bit DAC peripherals are shown in Table 17-2. Refer to Section 1.1 “Register and Bit naming conventions” for more information

TABLE 17-2:

Peripheral	Bit Name Prefix
DAC3	DAC3
DAC4	DAC4
DAC7	DAC7
DAC8 ⁽¹⁾	DAC8

Note 1: PIC16(L)F1777/9 only.

REGISTER 17-1: DACxCON0: DACx CONTROL REGISTER 0

R/W-0/0	U-0	R/W-0/0	R/W-0/0	R/W-0/0	R/W-0/0	U-0	R/W-0/0
EN	—	OE1	OE2	PSS<1:0>		NSS<1:0>	
bit 7				bit 0			

Legend:

R = Readable bit	W = Writable bit	U = Unimplemented bit, read as '0'
u = Bit is unchanged	x = Bit is unknown	-n/n = Value at POR and BOR/Value at all other Resets
'1' = Bit is set	'0' = Bit is cleared	

- bit 7 **EN:** DAC Enable bit
1 = DAC is enabled
0 = DAC is disabled
- bit 6 **Unimplemented:** Read as '0'
- bit 5 **OE1:** DAC Voltage Output Enable bit
1 = DAC voltage level is also an output on the DACxOUT1 pin
0 = DAC voltage level is disconnected from the DACxOUT1 pin
- bit 4 **OE2:** DAC Voltage Output Enable bit
1 = DAC voltage level is also an output on the DACxOUT2 pin
0 = DAC voltage level is disconnected from the DACxOUT2 pin
- bit 3-2 **PSS<1:0>:** DAC Positive Source Select bits
11 = Reserved, do not use
10 = FVR Buffer2 output
01 = VREF+ pin
00 = VDD
- bit 1-0 **NSS<1:0>:** DAC Negative Source Select bits
11 = Reserved, do not use
10 = DACxREF1- (DAC7/8) or Reserved (DAC3/4)
01 = DACxREF0-
00 = AGND (AVss)

REGISTER 17-2: DACxREF: DACx REFERENCE VOLTAGE OUTPUT SELECT REGISTER

U-0	U-0	U-0	R/W-0/0	R/W-0/0	R/W-0/0	R/W-0/0	R/W-0/0
—	—	—	REF<4:0>				
bit 7							bit 0

Legend:

R = Readable bit

W = Writable bit

U = Unimplemented bit, read as '0'

u = Bit is unchanged

x = Bit is unknown

-n/n = Value at POR and BOR/Value at all other Resets

'1' = Bit is set

'0' = Bit is cleared

bit 7-5

Unimplemented: Read as '0'

bit 4-0

REF<4:0>: DACx Reference Voltage Output Select bits (See [Equation 17-1](#))

TABLE 17-3: SUMMARY OF REGISTERS ASSOCIATED WITH THE DACx MODULE

Name	Bit 7	Bit 6	Bit 5	Bit 4	Bit 3	Bit 2	Bit 1	Bit 0	Register on page
DAC3CON0	EN	—	OE1	OE2	PSS<1:0>		NSS<1:0>		244
DAC4CON0	EN	---	OE1	OE2	PSS<1:0>		NSS<1:0>		244
DAC7CON0	EN	---	OE1	OE2	PSS<1:0>		NSS<1:0>		244
DAC8CON0 ⁽¹⁾	EN	---	OE1	OE2	PSS<1:0>		NSS<1:0>		244
DAC3REF	---	---	---	REF<4:0>					245
DAC4REF	---	---	---	REF<4:0>					245
DAC7REF	---	---	---	REF<4:0>					245
DAC8REF ⁽¹⁾	---	---	---	REF<4:0>					245

Legend: — = Unimplemented location, read as '0'. Shaded cells are not used with the DACx module.

Note 1: PIC16LF1777/9 only.

PIC16(L)F1777/8/9

18.0 10-BIT DIGITAL-TO-ANALOG CONVERTER (DAC) MODULE

The 10-bit Digital-to-Analog Converter (DAC) supplies a variable voltage reference, ratiometric with the input source, with 1024 selectable output levels.

The input of the DAC can be connected to:

- External VREF pins
- VDD supply voltage
- FVR (Fixed Voltage Reference)

The output of the DAC can be configured to supply a reference voltage to the following:

- Comparator positive input
- ADC input channel
- DACxOUT1 pin
- Op Amp

The Digital-to-Analog Converter is enabled by setting the EN bit of the DACxCON0 register.

TABLE 18-1: AVAILABLE 10-BIT DACS

Device	DAC1	DAC2	DAC5	DAC6
PIC16(L)F1778	•	•	•	
PIC16(L)F1777/9	•	•	•	•

18.1 Output Voltage Level Selection

The DAC has 1024 voltage levels that are set by the 10-bit reference selection word contained in the DACxREFH and DACxREFL registers. This 10-bit word can be left or right justified. See [Section 18.4 “DAC Reference Selection Justification”](#) for more detail.

The DAC output voltage can be determined with [Equation 18-1](#).

18.2 Ratiometric Output Voltage

The DAC output voltage is derived using a resistor ladder with each end of the ladder tied to a positive and negative voltage source. If the voltage of either input source fluctuates, a similar fluctuation will result in the DAC output value.

The value of the individual resistors within the ladder can be found in [Table 36-20](#).

EQUATION 18-1: DAC OUTPUT VOLTAGE

IF EN = 1

$$DACx_output = \left((VSOURCE+ - VSOURCE-) \times \frac{DACxR[9:0]}{2^{10}} \right) + VSOURCE-$$

VSOURCE+ = VDD, VREF+, or FVR_buffer2

VSOURCE- = VSS OR VREF-

18.3 DAC Output

The DAC voltage is always available to the internal peripherals that use it. The DAC voltage can be output to the DACxOUTx pin by setting the OEx bit of the DACxCON0 register. Selecting the DAC voltage for output on the DACxOUTx pin automatically overrides the digital output buffer and digital input threshold detector functions of that pin. Reading the DACxOUTx pin when it has been configured for DAC voltage output will always return a ‘0’.

Due to the limited current drive capability, a buffer must be used on the DAC voltage output for external connections to either DACxOUTx pin. [Figure 18-3](#) shows a buffering technique example.

18.4 DAC Reference Selection Justification

The DAC reference selection can be configured to be left or right justified. When the FM bit of the DACxCON0 register is set, the 10-bit word is left justified such that the eight Most Significant bits fill the DACxREFH register and the two Least Significant bits are left justified in the DACxREFL register. When the FM bit is cleared, the 10-bit word is right justified such that the eight Least Significant bits fill the DACxREFL register and the two Most Significant bits are right justified in the DACxREFH register. Refer to [Figure 18-1](#).

The DACxREFL and DACxREFH registers are double buffered. Writing to either register does not take effect immediately. Writing a ‘1’ to the DACxLD bit of the DACLD register transfers the contents of the DACxREFH and DACxREFL registers to the buffers, thereby changing all 10-bits of the DAC reference selection simultaneously.

FIGURE 18-1: DAC JUSTIFICATION

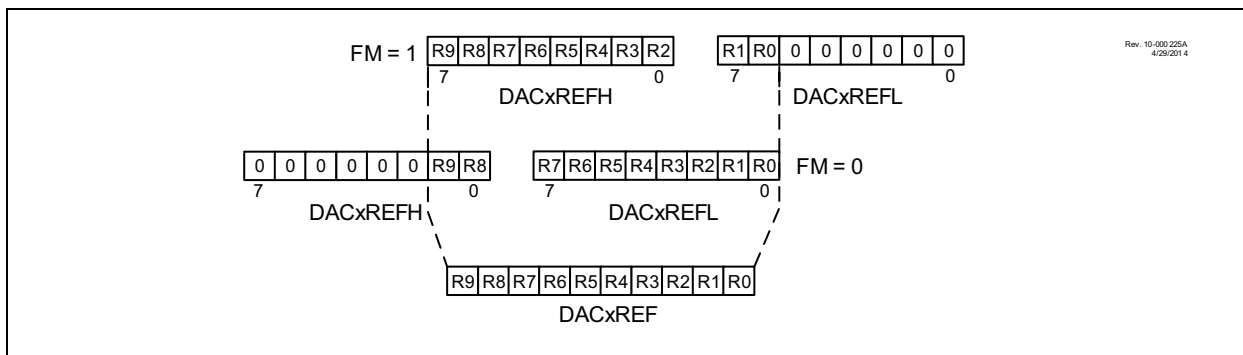


FIGURE 18-2: DIGITAL-TO-ANALOG CONVERTER BLOCK DIAGRAM

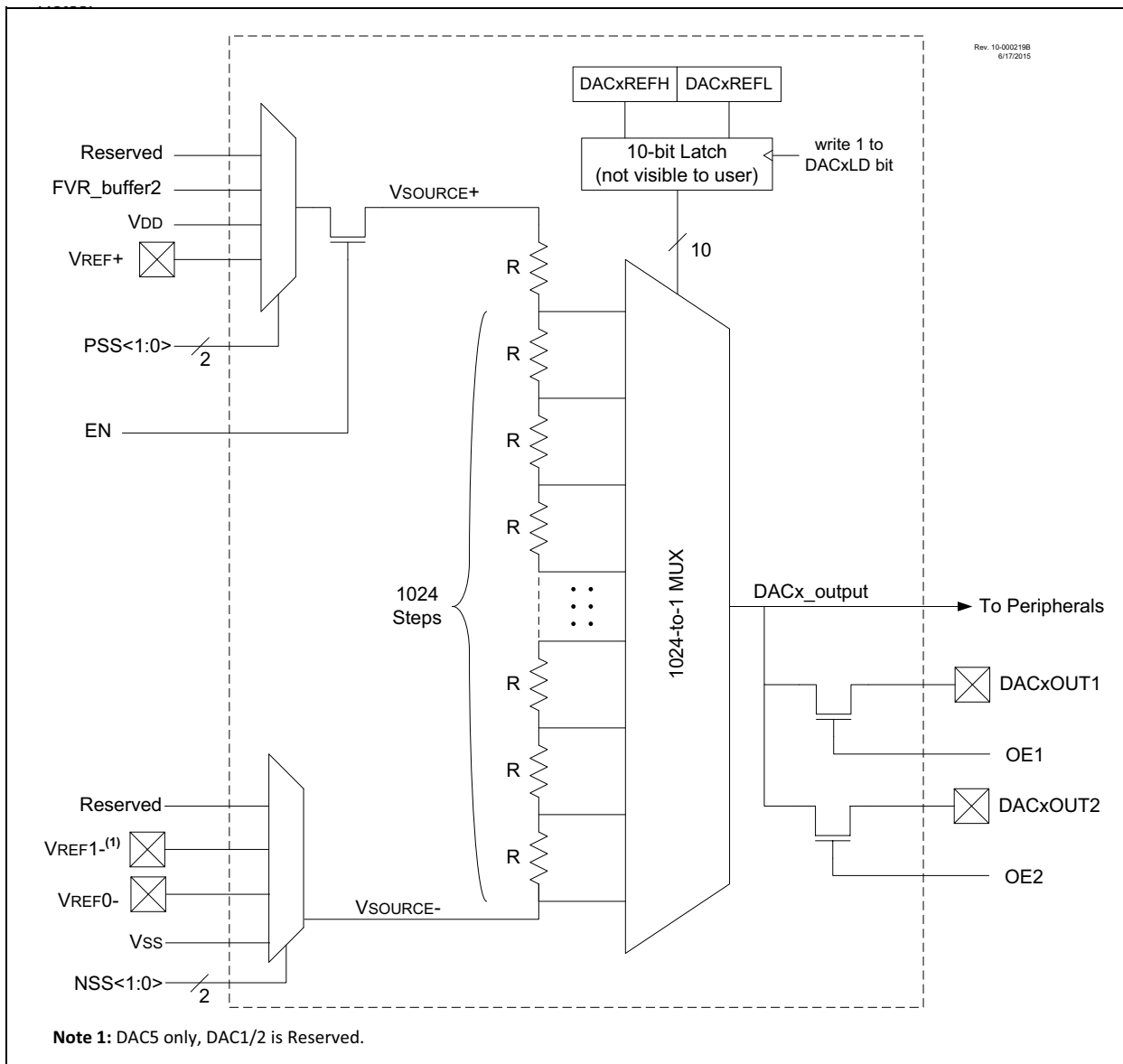


FIGURE 18-3: VOLTAGE REFERENCE OUTPUT BUFFER EXAMPLE



18.5 Operation During Sleep

When the device wakes up from Sleep as the result of an interrupt or a Watchdog Timer time-out, the contents of the DACxCON0 register are not affected. To minimize current consumption in Sleep mode, the voltage reference should be disabled.

18.6 Effects of a Reset

A device Reset affects the following:

- DAC is disabled
- DAC output voltage is removed from the DACxOUTx pin
- The REF<9:0> reference selection bits are cleared

18.7 Register Definitions: DAC Control

Long bit name prefixes for the 10-bit DAC peripherals are shown in Table 18-2. Refer to Section 1.1 “Register and Bit naming conventions” for more information

TABLE 18-2:

Peripheral	Bit Name Prefix
DAC1	DAC1
DAC2	DAC2
DAC5	DAC5
DAC6 ⁽¹⁾	DAC6

Note 1: PIC16(L)F1777/9 only.

REGISTER 18-1: DACxCON0: DAC CONTROL REGISTER 0

R/W-0/0	R/W-0/0	R/W-0/0	R/W-0/0	R/W-0/0	R/W-0/0	R/W-0/0	R/W-0/0
EN	FM	OE1	OE2	PSS<1:0>		NSS<1:0>	
bit 7						bit 0	

Legend:

R = Readable bit	W = Writable bit	U = Unimplemented bit, read as '0'
u = Bit is unchanged	x = Bit is unknown	-n/n = Value at POR and BOR/Value at all other Resets
'1' = Bit is set	'0' = Bit is cleared	

bit 7	EN: DAC Enable bit 1 = DACx is enabled 0 = DACx is disabled
bit 6	FM: DAC Reference Format bit 1 = DACx reference selection is left justified 0 = DACx reference selection is right justified
bit 5	OE1: DAC Voltage Output Enable bit 1 = DACx voltage level is also an output on the DACxOUT1 pin 0 = DACx voltage level is disconnected from the DACxOUT1 pin
bit 4	OE2: DAC Voltage Output Enable bit 1 = DACx voltage level is also an output on the DACxOUT2 pin 0 = DACx voltage level is disconnected from the DACxOUT2 pin
bit 3-2	PSS<1:0>: DAC Positive Source Select bits 11 = DACxREF1+ (DAC5/6) or Reserved (DAC1/2) 10 = FVR_buffer2 01 = DACxREF0+ 00 = VDD
bit 1-0	NSS<1:0>: DAC Negative Source Select bit 11 = Reserved. Do not use. 10 = DACxREF1- (DAC5/6) or Reserved (DAC1/2) 01 = DACxREF0- 00 = AGND (AVSS)

PIC16(L)F1777/8/9

REGISTER 18-2: DACxREFH: DAC REFERENCE VOLTAGE SELECT HIGH REGISTER

R/W-0/0	R/W-0/0	R/W-0/0	R/W-0/0	R/W-0/0	R/W-0/0	R/W-0/0	R/W-0/0
REF<9:x> (x Depends on FM bit)							
bit 7							bit 0

Legend:

R = Readable bit W = Writable bit U = Unimplemented bit, read as '0'
u = Bit is unchanged x = Bit is unknown -n/n = Value at POR and BOR/Value at all other Resets
'1' = Bit is set '0' = Bit is cleared

When FM = 1 (left justified)

bit 7-0 **REF<9:2>**: DAC Reference Voltage Output Select bits
DACxOUT1 = f(REF<9:0>) (See [Equation 18-1](#))

When FM = 0 (right justified)

bit 7-2 **Unimplemented**: Read as '0'
bit 1-0 **REF<9:8>**: DAC Reference Voltage Output Select bits
DACxOUT1 = f(REF<9:0>) (See [Equation 18-1](#))

REGISTER 18-3: DACxREFL: DAC REFERENCE VOLTAGE SELECT LOW REGISTER

R/W-0/0	R/W-0/0	R/W-0/0	R/W-0/0	R/W-0/0	R/W-0/0	R/W-0/0	R/W-0/0
REF<x-1:0> (x Depends on FM bit)							
bit 7							bit 0

Legend:

R = Readable bit W = Writable bit U = Unimplemented bit, read as '0'
u = Bit is unchanged x = Bit is unknown -n/n = Value at POR and BOR/Value at all other Resets
'1' = Bit is set '0' = Bit is cleared

When FM = 1 (left justified)

bit 7-6 **REF<1:0>**: DAC Reference Voltage Output Select bits
DACxOUT1 = f(REF<9:0>) (See [Equation 18-1](#))

bit 5-0 **Unimplemented**: Read as '0'

When FM = 0 (right justified)

bit 7-0 **REF<7:0>**: DAC Reference Voltage Output Select bits
DACxOUT1 = f(REF<9:0>) (See [Equation 18-1](#))

REGISTER 18-4: DACLD: DAC BUFFER LOAD REGISTER

U-0	U-0	U-0	R/W-0/0	U-0	U-0	R/W-0/0	R/W-0/0
—	—	DAC6LD ⁽¹⁾	DAC5LD	—	—	DAC2LD	DAC1LD
bit 7							bit 0

Legend:

R = Readable bit	W = Writable bit	U = Unimplemented bit, read as '0'
u = Bit is unchanged	x = Bit is unknown	-n/n = Value at POR and BOR/Value at all other Resets
'1' = Bit is set	'0' = Bit is cleared	q = value depends on configuration bits

- bit 7-6 **Unimplemented:** Read as '0'
- bit 5 **DAC6LD:** DAC6 Double Buffer Load bit⁽¹⁾
 1 = DAC6REFHL:DAC6REFL values are transferred to the double buffer. Bit is cleared automatically by hardware.
 0 = DAC6REFHL:DAC6REFL double buffers remain unchanged.
- bit 4 **DAC5LD:** DAC5 Double Buffer Load bit
 1 = DAC5REFHL:DAC5REFL values are transferred to the double buffer. Bit is cleared automatically by hardware.
 0 = DAC5REFHL:DAC5REFL double buffers remain unchanged.
- bit 3-2 **Unimplemented:** Read as '0'
- bit 1 **DAC2LD:** DAC2 Double Buffer Load bit
 1 = DAC2REFHL:DAC2REFL values are transferred to the double buffer. Bit is cleared automatically by hardware.
 0 = DAC2REFHL:DAC2REFL double buffers remain unchanged.
- bit 0 **DAC1LD:** DAC1 Double Buffer Load bit
 1 = DAC1REFHL:DAC1REFL values are transferred to the double buffer. Bit is cleared automatically by hardware.
 0 = DAC1REFHL:DAC1REFL double buffers remain unchanged.

Note 1: PIC16LF1777/9 only.

TABLE 18-3: SUMMARY OF REGISTERS ASSOCIATED WITH THE DACx MODULE

Name	Bit 7	Bit 6	Bit 5	Bit 4	Bit 3	Bit 2	Bit 1	Bit 0	Register on Page
DAC1CON0	EN	FM	OE1	OE2	PSS<1:0>		NSS<1:0>		249
DAC2CON0	EN	FM	OE1	OE2	PSS<1:0>		NSS<1:0>		249
DAC5CON0	EN	FM	OE1	OE2	PSS<1:0>		NSS<1:0>		249
DAC6CON0 ⁽¹⁾	EN	FM	OE1	OE2	PSS<1:0>		NSS<1:0>		249
DAC1REFH	REF<9:x> (x Depends on FM bit)								250
DAC2REFH	REF<9:x> (x Depends on FM bit)								250
DAC5REFH	REF<9:x> (x Depends on FM bit)								250
DAC6REFH ⁽¹⁾	REF<9:x> (x Depends on FM bit)								250
DAC1REFL	REF<x-1:0> (x Depends on FM bit)								250
DAC2REFL	REF<x-1:0> (x Depends on FM bit)								250
DAC5REFL	REF<x-1:0> (x Depends on FM bit)								250
DAC6REFL ⁽¹⁾	REF<x-1:0> (x Depends on FM bit)								250
DACLD	—	—	—	DAC5LD	—	—	DAC2LD	DAC1LD	251

Legend: — = Unimplemented location, read as '0'. Shaded cells are not used with the DACx module.

Note 1: PIC16LF1777/9 only.

PIC16(L)F1777/8/9

19.0 COMPARATOR MODULE

Comparators are used to interface analog circuits to a digital circuit by comparing two analog voltages and providing a digital indication of their relative magnitudes. Comparators are very useful mixed signal building blocks because they provide analog functionality independent of program execution. The analog comparator module includes the following features:

- Independent comparator control
- Programmable input selection
- Comparator output is available internally/externally
- Programmable output polarity
- Interrupt-on-change
- Wake-up from Sleep
- Programmable Speed/Power optimization
- PWM shutdown
- Programmable and Fixed Voltage Reference

19.1 Comparator Overview

A single comparator is shown in [Figure 19-1](#) along with the relationship between the analog input levels and the digital output. When the analog voltage at V_{IN+} is less than the analog voltage at V_{IN-} , the output of the comparator is a digital low level. When the analog voltage at V_{IN+} is greater than the analog voltage at V_{IN-} , the output of the comparator is a digital high level.

The comparators available for this device are located in [Table 19-1](#).

TABLE 19-1: AVAILABLE COMPARATORS

Device	C1	C2	C3	C4	C5	C6	C7	C8
PIC16(L)F1778	•	•	•	•	•	•		
PIC16(L)F1777/9	•	•	•	•	•	•	•	•

FIGURE 19-1: SINGLE COMPARATOR

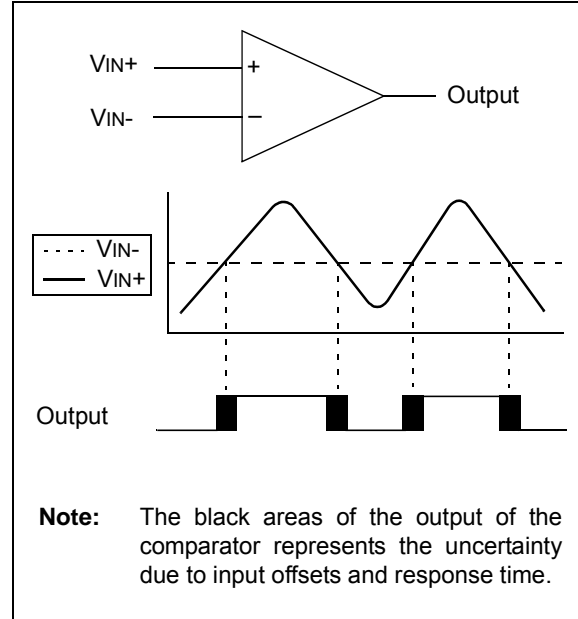


FIGURE 19-2: COMPARATOR MODULE SIMPLIFIED BLOCK DIAGRAM



PIC16(L)F1777/8/9

19.2 Comparator Control

Each comparator has two control registers: CMxCON0 and CMxCON1.

The CMxCON0 register (see [Register 19-1](#)) contains Control and Status bits for the following:

- Enable
- Output
- Output polarity
- Zero latency filter
- Speed/Power selection
- Hysteresis enable
- Output synchronization

The CMxCON1 register (see [Register 19-2](#)) contains Control bits for the following:

- Interrupt enable
- Interrupt edge polarity
- Positive input channel selection
- Negative input channel selection

19.2.1 COMPARATOR ENABLE

Setting the ON bit of the CMxCON0 register enables the comparator for operation. Clearing the ON bit disables the comparator resulting in minimum current consumption.

19.2.2 COMPARATOR OUTPUT SELECTION

The output of the comparator can be monitored by reading either the OUT bit of the CMxCON0 register or the MCxOUT bit of the CMOUT register. In order to make the output available for an external connection, the following conditions must be true:

- Desired pin PPS control
- Corresponding TRIS bit must be cleared
- ON bit of the CMxCON0 register must be set

Note 1: The internal output of the comparator is latched with each instruction cycle. Unless otherwise specified, external outputs are not latched.

19.2.3 COMPARATOR OUTPUT POLARITY

Inverting the output of the comparator is functionally equivalent to swapping the comparator inputs. The polarity of the comparator output can be inverted by setting the POL bit of the CMxCON0 register. Clearing the POL bit results in a non-inverted output.

[Table 19-2](#) shows the output state versus input conditions, including polarity control.

TABLE 19-2: COMPARATOR OUTPUT STATE VS. INPUT CONDITIONS

Input Condition	CxPOL	CxOUT
$CxVN > CxVP$	0	0
$CxVN < CxVP$	0	1
$CxVN > CxVP$	1	1
$CxVN < CxVP$	1	0

19.3 Comparator Hysteresis

A selectable amount of separation voltage can be added to the input pins of each comparator to provide a hysteresis function to the overall operation. Hysteresis is enabled by setting the HYS bit of the CMxCON0 register.

See Comparator Specifications in [Table 36-19: Comparator Specifications](#) for more information.

19.4 Timer1 Gate Operation

The output resulting from a comparator operation can be used as a source for gate control of Timer1. See [Section 22.6 “Timer1 Gate”](#) for more information. This feature is useful for timing the duration or interval of an analog event.

It is recommended that the comparator output be synchronized to Timer1. This ensures that Timer1 does not increment while a change in the comparator is occurring.

19.4.1 COMPARATOR OUTPUT SYNCHRONIZATION

The output from a comparator can be synchronized with Timer1 by setting the SYNC bit of the CMxCON0 register.

Once enabled, the comparator output is latched on the falling edge of the Timer1 source clock. If a prescaler is used with Timer1, the comparator output is latched after the prescaling function. To prevent a race condition, the comparator output is latched on the falling edge of the Timer1 clock source and Timer1 increments on the rising edge of its clock source. See the Comparator Block Diagram ([Figure 19-2](#)) and the Timer1 Block Diagram ([Figure 22-1](#)) for more information.

19.5 Comparator Interrupt

An interrupt can be generated upon a change in the output value of the comparator for each comparator, a rising edge detector and a falling edge detector are present.

When either edge detector is triggered and its associated enable bit is set (INTP and/or INTN bits of the CMxCON1 register), the Corresponding Interrupt Flag bit (CxIF bit of the PIR2 register) will be set.

To enable the interrupt, you must set the following bits:

- ON and POL bits of the CMxCON0 register
- CxIE bit of the PIE2 register
- INTP bit of the CMxCON1 register (for a rising edge detection)
- INTN bit of the CMxCON1 register (for a falling edge detection)
- PEIE and GIE bits of the INTCON register

The associated interrupt flag bit, CxIF bit of the PIR2 register, must be cleared in software. If another edge is detected while this flag is being cleared, the flag will still be set at the end of the sequence.

Note: Although a comparator is disabled, an interrupt can be generated by changing the output polarity with the POL bit of the CMxCON0 register, or by switching the comparator on or off with the ON bit of the CMxCON0 register.

19.6 Comparator Positive Input Selection

Configuring the PCH<3:0> bits of the CMxPSEL register directs an internal voltage reference or an analog pin to the non-inverting input of the comparator:

- CxIN+ analog pin
- Programmable ramp generator output
- DAC output
- FVR (Fixed Voltage Reference)
- Vss (Ground)

See [Section 14.0 “Fixed Voltage Reference \(FVR\)”](#) for more information on the Fixed Voltage Reference module.

See [Section 17.0 “5-Bit Digital-to-Analog Converter \(DAC\) Module”](#) for more information on the DAC input signal.

Any time the comparator is disabled (CxON = 0), all comparator inputs are disabled.

19.7 Comparator Negative Input Selection

The NCH<3:0> bits of the CMxNSEL register direct an analog input pin and internal reference voltage or analog ground to the inverting input of the comparator:

- CxIN- pin
- FVR (Fixed Voltage Reference)
- Analog Ground

Some inverting input selections share a pin with the operational amplifier output function. Enabling both functions at the same time will direct the operational amplifier output to the comparator inverting input.

Note: To use CxINy+ and CxINy- pins as analog input, the appropriate bits must be set in the ANSEL register and the corresponding TRIS bits must also be set to disable the output drivers.

PIC16(L)F1777/8/9

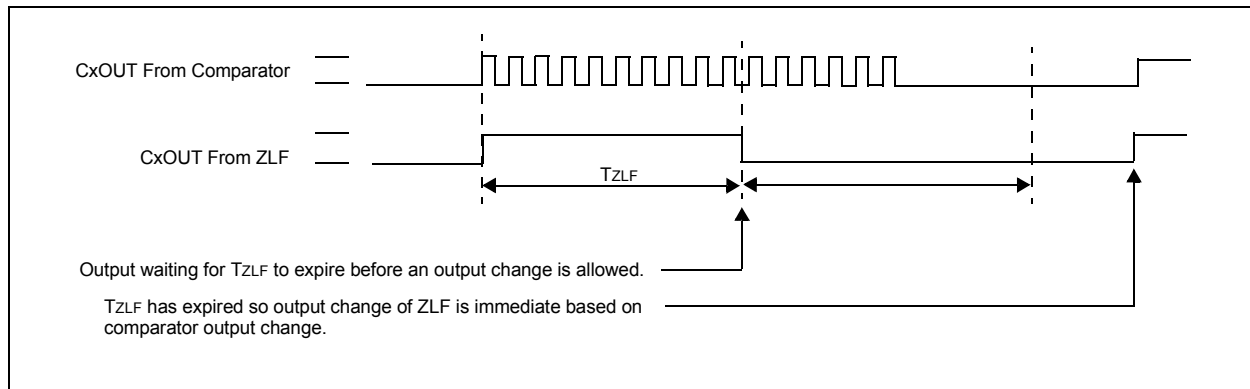
19.8 Comparator Response Time

The comparator output is indeterminate for a period of time after the change of an input source or the selection of a new reference voltage. This period is referred to as the response time. The response time of the comparator differs from the settling time of the voltage reference. Therefore, both of these times must be considered when determining the total response time to a comparator input change. See the Comparator and Voltage Reference Specifications in [Table 36-19: Comparator Specifications](#) for more details.

19.9 Zero Latency Filter

In high-speed operation, and under proper circuit conditions, it is possible for the comparator output to oscillate. This oscillation can have adverse effects on the hardware and software relying on this signal. Therefore, a digital filter has been added to the comparator output to suppress the comparator output oscillation. Once the comparator output changes, the output is prevented from reversing the change for a nominal time of 20 ns. This allows the comparator output to stabilize without affecting other dependent devices. Refer to [Figure 19-3](#).

FIGURE 19-3: COMPARATOR ZERO LATENCY FILTER OPERATION



19.10 Analog Input Connection Considerations

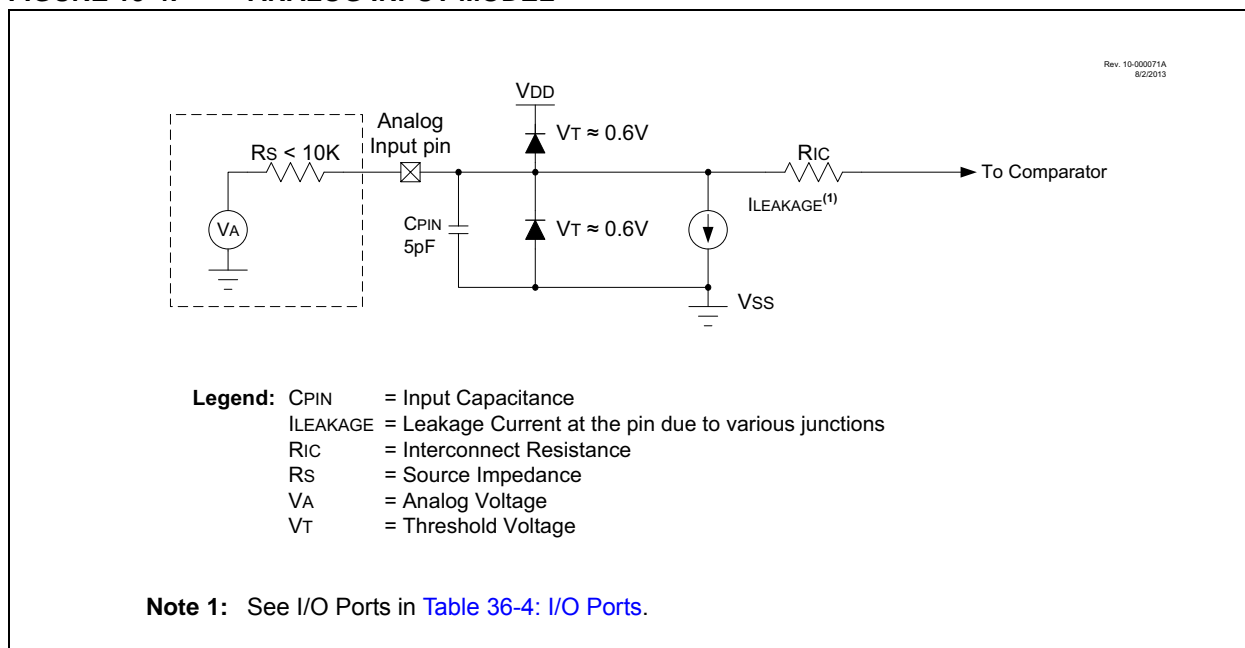
A simplified circuit for an analog input is shown in Figure 19-4. Since the analog input pins share their connection with a digital input, they have reverse biased ESD protection diodes to VDD and VSS. The analog input, therefore, must be between VSS and VDD. If the input voltage deviates from this range by more than 0.6V in either direction, one of the diodes is forward biased and a latch-up may occur.

A maximum source impedance of 10 kΩ is recommended for the analog sources. Also, any external component connected to an analog input pin, such as a capacitor or a Zener diode, should have very little leakage current to minimize inaccuracies introduced.

Note 1: When reading a PORT register, all pins configured as analog inputs will read as a '0'. Pins configured as digital inputs will convert as an analog input, according to the input specification.

2: Analog levels on any pin defined as a digital input, may cause the input buffer to consume more current than is specified.

FIGURE 19-4: ANALOG INPUT MODEL



PIC16(L)F1777/8/9

19.11 Register Definitions: Comparator Control

Long bit name prefixes for the Comparator peripherals are shown in [Table 19-3](#). Refer to [Section 1.1.2.2 “Long Bit Names”](#) for more information

TABLE 19-3:

Peripheral	Bit Name Prefix
Comparator 1	C1
Comparator 2	C2
Comparator 3	C3
Comparator 4	C4
Comparator 5	C5
Comparator 6	C6
Comparator 7 ⁽¹⁾	C7
Comparator 8 ⁽¹⁾	C8

Note 1: PIC16(L)F1777/9 only.

REGISTER 19-1: CMxCON0: COMPARATOR Cx CONTROL REGISTER 0

R/W-0/0	R-0/0	U-0	R/W-0/0	R/W-0/0	R/W-1/1	R/W-0/0	R/W-0/0
ON	OUT	—	POL	ZLF	—	HYS	SYNC
bit 7							bit 0

Legend:

R = Readable bit	W = Writable bit	U = Unimplemented bit, read as '0'
u = Bit is unchanged	x = Bit is unknown	-n/n = Value at POR and BOR/Value at all other Resets
'1' = Bit is set	'0' = Bit is cleared	

- bit 7 **ON:** Comparator Enable bit
 1 = Comparator is enabled
 0 = Comparator is disabled and consumes no active power
- bit 6 **OUT:** Comparator Output bit
If POL = 1 (inverted polarity):
 1 = CxVP < CxVN
 0 = CxVP > CxVN
If POL = 0 (non-inverted polarity):
 1 = CxVP > CxVN
 0 = CxVP < CxVN
- bit 5 **Reserved:** Read as '1'. Maintain this bit set.
- bit 4 **POL:** Comparator Output Polarity Select bit
 1 = Comparator output is inverted
 0 = Comparator output is not inverted
- bit 3 **ZLF:** Comparator Zero Latency Filter Enable bit
 1 = Comparator output is filtered
 0 = Comparator output is unfiltered
- bit 2 **Reserved:** Read as '1'. Maintain this bit set.
- bit 1 **HYS:** Comparator Hysteresis Enable bit
 1 = Comparator hysteresis enabled
 0 = Comparator hysteresis disabled
- bit 0 **SYNC:** Comparator Output Synchronous Mode bit
 1 = Comparator output to Timer1 and I/O pin is synchronous to changes on Timer1 clock source. Output updated on the falling edge of Timer1 clock source.
 0 = Comparator output to Timer1 and I/O pin is asynchronous

REGISTER 19-2: CMxCON1: COMPARATOR Cx CONTROL REGISTER 1

U-0	U-0	U-0	U-0	U-0	U-0	R/W-0/0	R/W-0/0
—	—	—	—	—	—	INTP	INTN
bit 7						bit 0	

Legend:

R = Readable bit

W = Writable bit

U = Unimplemented bit, read as '0'

u = Bit is unchanged

x = Bit is unknown

-n/n = Value at POR and BOR/Value at all other Resets

'1' = Bit is set

'0' = Bit is cleared

bit 7-2 **Unimplemented:** Read as '0'

bit 1 **INTP:** Comparator Interrupt on Positive Going Edge Enable bits

1 = The CxIF interrupt flag will be set upon a positive going edge of the CxOUT bit

0 = No interrupt flag will be set on a positive going edge of the CxOUT bit

bit 0 **INTN:** Comparator Interrupt on Negative Going Edge Enable bits

1 = The CxIF interrupt flag will be set upon a negative going edge of the CxOUT bit

0 = No interrupt flag will be set on a negative going edge of the CxOUT bit

PIC16(L)F1777/8/9

REGISTER 19-3: CM_xNSEL: COMPARATOR C_x NEGATIVE CHANNEL SELECT REGISTER

U-0	U-0	U-0	U-0	R/W-0/0	R/W-0/0	R/W-0/0	R/W-0/0
—	—	—	—	NCH<3:0>			
bit 7				bit 0			

Legend:

R = Readable bit	W = Writable bit	U = Unimplemented bit, read as '0'
u = Bit is unchanged	x = Bit is unknown	-n/n = Value at POR and BOR/Value at all other Resets
'1' = Bit is set	'0' = Bit is cleared	

bit 7-4 **Unimplemented:** Read as '0'

bit 3-0 **NCH<3:0>:** Comparator Negative Input Channel Select bits

C_xV_N connects to input source indicated by [Table 19-4: Negative Input Sources](#)

TABLE 19-4: NEGATIVE INPUT SOURCES

NCH<3:0>	C1, C2, C3, C4	C5, C6, C7 ⁽¹⁾ , C8 ⁽¹⁾
1111	Reserved. Do not use	Reserved. Do not use
1110	Reserved. Do not use	Reserved. Do not use
1101	Reserved. Do not use	Reserved. Do not use
1100	Reserved. Do not use	Reserved. Do not use
1011	Reserved. Do not use	Reserved. Do not use
1010	OPA2IN- pin	OPA4IN- pin ⁽¹⁾
1001	OPA1IN- pin	OPA3IN- pin
1000	AGND	AGND
0111	PRG2_out	PRG4_out ⁽¹⁾
0110	PRG1_out	PRG3_out
0101	FVR_Buffer2	FVR_Buffer2
0100	CxIN4- pin	CxIN4- (OPA4OUT) pin ⁽¹⁾
0011	CxIN3- (OPA2OUT) pin	CxIN3- pin
0010	CxIN2- pin	CxIN2- pin
0001	CxIN1- (OPA1OUT) pin	CxIN1- (OPA3OUT) pin
0000	CxIN0- pin	CxIN0- pin

Note 1: PIC16(L)F1777/9 only.

REGISTER 19-4: CMxPSEL: COMPARATOR Cx POSITIVE CHANNEL SELECT REGISTER 1

U-0	U-0	U-0	U-0	R/W-0/0	R/W-0/0	R/W-0/0	R/W-0/0
—	—	—	—	PCH<3:0>			
bit 7				bit 0			

Legend:

R = Readable bit	W = Writable bit	U = Unimplemented bit, read as '0'
u = Bit is unchanged	x = Bit is unknown	-n/n = Value at POR and BOR/Value at all other Resets
'1' = Bit is set	'0' = Bit is cleared	

bit 7-4 **Unimplemented:** Read as '0'

bit 3-0 **PCH<3:0>:** Comparator Positive Input Channel Select bits

CxVP connects to input source indicated by [Table 19-5: Positive Input Sources](#)

TABLE 19-5: POSITIVE INPUT SOURCES

PCH<3:0>	C1, C2, C3, C4	C5, C6, C7 ⁽¹⁾ , C8 ⁽¹⁾
1111	Reserved. Do not use	Reserved. Do not use
1110	Reserved. Do not use	Reserved. Do not use
1101	Reserved. Do not use	Reserved. Do not use
1100	Reserved. Do not use	Reserved. Do not use
1011	Reserved. Do not use	Reserved. Do not use
1010	Reserved. Do not use	Reserved. Do not use
1001	AGND	AGND
1000	DAC4_out	DAC8_out ⁽¹⁾
0111	DAC3_out	DAC7_out
0110	DAC2_out	DAC6_out ⁽¹⁾
0101	DAC1_out	DAC5_out
0100	PRG2_out	PRG4_out ⁽¹⁾
0011	PRG1_out	PRG3_out
0010	FVR_Buffer2	FVR_Buffer2
0001	CxIN1+ pin	CxIN1+ pin
0000	CxIN0+ pin	CxIN0+ pin

Note 1: PIC16(L)F1777/9 only.

PIC16(L)F1777/8/9

Note: There are no long and short bit name variants for the following mirror register

REGISTER 19-5: CMOUT: COMPARATOR OUTPUT REGISTER

R-0/0	R-0/0	R-0/0	R-0/0	R-0/0	R-0/0	R-0/0	R-0/0
MC8OUT ⁽¹⁾	MC7OUT ⁽¹⁾	MC6OUT	MC5OUT	MC4OUT	MC3OUT	MC2OUT	MC1OUT
bit 7							bit 0

Legend:

R = Readable bit

W = Writable bit

U = Unimplemented bit, read as '0'

u = Bit is unchanged

x = Bit is unknown

-n/n = Value at POR and BOR/Value at all other Resets

'1' = Bit is set

'0' = Bit is cleared

bit 7	MC8OUT: Mirror Copy of C8OUT bit ⁽¹⁾
bit 6	MC7OUT: Mirror Copy of C7OUT bit ⁽¹⁾
bit 5	MC6OUT: Mirror Copy of C6OUT bit
bit 4	MC5OUT: Mirror Copy of C5OUT bit
bit 3	MC4OUT: Mirror Copy of C4OUT bit
bit 2	MC3OUT: Mirror Copy of C3OUT bit
bit 1	MC2OUT: Mirror Copy of C2OUT bit
bit 0	MC1OUT: Mirror Copy of C1OUT bit

Note 1: PIC16LF1777/9 only.

TABLE 19-6: SUMMARY OF REGISTERS ASSOCIATED WITH COMPARATOR MODULE

Name	Bit 7	Bit 6	Bit 5	Bit 4	Bit 3	Bit 2	Bit 1	Bit 0	Register on Page	
ANSELA	—	—	ANSA5	ANSA4	ANSA3	ANSA2	ANSA1	ANSA0	177	
ANSELB	—	—	ANSB5	ANSB4	ANSB3	ANSB2	ANSB1	ANSB0	182	
ANSELC	ANSC7	ANSC6	ANSC5	ANSC4	ANSC3	ANSC2	—	—	187	
CM1CON0	ON	OUT	—	POL	ZLF	Reserved	HYS	SYNC	258	
CM2CON0	ON	OUT	—	POL	ZLF	Reserved	HYS	SYNC	258	
CM3CON0	ON	OUT	—	POL	ZLF	Reserved	HYS	SYNC	258	
CM4CON0	ON	OUT	—	POL	ZLF	Reserved	HYS	SYNC	258	
CM5CON0	ON	OUT	—	POL	ZLF	Reserved	HYS	SYNC	258	
CM6CON0	ON	OUT	—	POL	ZLF	Reserved	HYS	SYNC	258	
CM1CON1	—	—	—	—	—	—	INTP	INTN	259	
CM2CON1	—	—	—	—	—	—	INTP	INTN	259	
CM3CON1	—	—	—	—	—	—	INTP	INTN	259	
CM4CON1	—	—	—	—	—	—	INTP	INTN	259	
CM5CON1	—	—	—	—	—	—	INTP	INTN	259	
CM6CON1	—	—	—	—	—	—	INTP	INTN	259	
CM7CON1 ⁽¹⁾	—	—	—	—	—	—	INTP	INTN	259	
CM8CON1 ⁽¹⁾	—	—	—	—	—	—	INTP	INTN	259	
CM1NSEL	—	—	—	—	NCH<3:0>				260	
CM2NSEL	—	—	—	—	NCH<3:0>				260	
CM3NSEL	—	—	—	—	NCH<3:0>				260	
CM4NSEL	—	—	—	—	NCH<3:0>				260	
CM5NSEL	—	—	—	—	NCH<3:0>				260	
CM6NSEL	—	—	—	—	NCH<3:0>				260	
CM7NSEL ⁽¹⁾	—	—	—	—	NCH<3:0>				260	
CM8NSEL ⁽¹⁾	—	—	—	—	NCH<3:0>				260	
CM1PSEL	—	—	—	—	PCH<3:0>				261	
CM2PSEL	—	—	—	—	PCH<3:0>				261	
CM3PSEL	—	—	—	—	PCH<3:0>				261	
CM4PSEL	—	—	—	—	PCH<3:0>				261	
CM5PSEL	—	—	—	—	PCH<3:0>				261	
CM6PSEL	—	—	—	—	PCH<3:0>				261	
CM7PSEL ⁽¹⁾	—	—	—	—	PCH<3:0>				261	
CM8PSEL ⁽¹⁾	—	—	—	—	PCH<3:0>				261	
CMOUT	MC8OUT ⁽¹⁾	MC7OUT ⁽¹⁾	MC6OUT	MC5OUT	MC4OUT	MC3OUT	MC2OUT	MC1OUT	262	
FVRCON	FVREN	FVRRDY	TSEN	TSRNG	CDAFVR<1:0>		ADFVR<1:0>		223	
DAC1CON0	EN	FM	OE1	OE2	PSS<1:0>		NSS<1:0>		249	
DAC2CON0	EN	FM	OE1	OE2	PSS<1:0>		NSS<1:0>		249	
DAC5CON0	EN	FM	OE1	OE2	PSS<1:0>		NSS<1:0>		249	
DAC6CON0 ⁽¹⁾	EN	FM	OE1	OE2	PSS<1:0>		NSS<1:0>		249	
DAC3CON0	EN	—	OE1	OE2	PSS<1:0>		NSS<1:0>		244	
DAC4CON0	EN	—	OE1	OE2	PSS<1:0>		NSS<1:0>		244	
DAC7CON0	EN	—	OE1	OE2	PSS<1:0>		NSS<1:0>		244	
DAC8CON0 ⁽¹⁾	EN	—	OE1	OE2	PSS<1:0>		NSS<1:0>		244	
DAC3REF	—	—	—	REF<4:0>						245
DAC4REF	—	—	—	REF<4:0>						245
DAC7REF	—	—	—	REF<4:0>						245
DAC8REF ⁽¹⁾	—	—	—	REF<4:0>						245
DAC1REFH	REF<9:x> (x Depends on FM bit)								250	

Legend: — = unimplemented location, read as '0'. Shaded cells are unused by the comparator module.

Note 1: PIC16LF1777/9 only.

PIC16(L)F1777/8/9

TABLE 19-4: SUMMARY OF REGISTERS ASSOCIATED WITH COMPARATOR MODULE (CONT.)

Name	Bit 7	Bit 6	Bit 5	Bit 4	Bit 3	Bit 2	Bit 1	Bit 0	Register on Page
DAC2REFH	REF<9:x> (x Depends on FM bit)								250
DAC5REFH	REF<9:x> (x Depends on FM bit)								250
DAC6REFH ⁽¹⁾	REF<9:x> (x Depends on FM bit)								250
DAC1REFL	REF<x-1:0> (x Depends on FM bit)								250
DAC2REFL	REF<x-1:0> (x Depends on FM bit)								250
DAC5REFL	REF<x-1:0> (x Depends on FM bit)								250
DAC6REFL ⁽¹⁾	REF<x-1:0> (x Depends on FM bit)								250
INTCON	GIE	PEIE	TMR0IE	INTE	IOCIE	TMR0IF	INTF	IOCIF	132
PIE2	OSFIE	C2IE	C1IE	COG1IE	BCL1IE	C4IE	C3IE	CCP2IE	134
PIE5	CCP8IE ⁽¹⁾	CCP7IE	COG4IE ⁽¹⁾	COG3IE	C8IE ⁽¹⁾	C7IE ⁽¹⁾	C6IE	C5IE	137
PIR2	OSFIF	C2IF	C1IF	COG1IF	BCL1IF	C4IF	C3IF	CCP2IF	140
PIR5	CCP8IF ⁽¹⁾	CCP7IF	COG4IF ⁽¹⁾	COG3IF	C8IF ⁽¹⁾	C7IF ⁽¹⁾	C6IF	C5IF	143
TRISA	TRISA7	TRISA6	TRISA5	TRISA4	TRISA3	TRISA2	TRISA1	TRISA0	176
TRISB	TRISB7	TRISB6	TRISB5	TRISB4	TRISB3	TRISB2	TRISB1	TRISB0	181
TRISC	TRISC7	TRISC6	TRISC5	TRISC4	TRISC3	TRISC2	TRISC1	TRISC0	186

Legend: — = unimplemented location, read as '0'. Shaded cells are unused by the comparator module.

Note 1: PIC16LF1777/9 only.

20.0 ZERO-CROSS DETECTION (ZCD) MODULE

The ZCD module detects when an A/C signal crosses through the ground potential. The actual zero-crossing threshold is the zero-crossing reference voltage, ZCPINV, which is typically 0.75V above ground.

The connection to the signal to be detected is through a series current limiting resistor. The module applies a current source or sink to the ZCD pin to maintain a constant voltage on the pin, thereby preventing the pin voltage from forward biasing the ESD protection diodes. When the applied voltage is greater than the reference voltage, the module sinks current. When the applied voltage is less than the reference voltage, the module sources current. The current source and sink action keeps the pin voltage constant over the full range of the applied voltage. The ZCD module is shown in the simplified block diagram [Figure 20-2](#).

The ZCD module is useful when monitoring an AC waveform for, but not limited to, the following purposes:

- A/C period measurement
- Accurate long term time measurement
- Dimmer phase delayed drive
- Low EMI cycle switching

20.1 External Resistor Selection

The ZCD module requires a current limiting resistor in series with the external voltage source. The impedance and rating of this resistor depends on the external source peak voltage. Select a resistor value that will drop all of the peak voltage when the current through the resistor is nominally 300 μ A. Refer to [Equation 20-1](#) and [Figure 20-1](#). Make sure that the ZCD I/O pin internal weak pull-up is disabled so it does not interfere with the current source and sink.

EQUATION 20-1: EXTERNAL RESISTOR

$$R_{series} = \frac{V_{peak}}{3 \times 10^{-4}}$$

FIGURE 20-1: EXTERNAL VOLTAGE

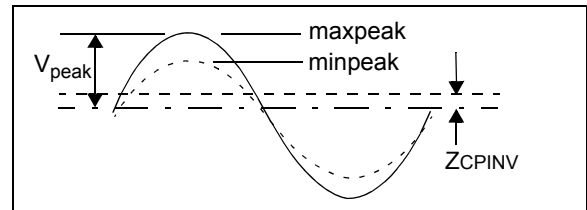
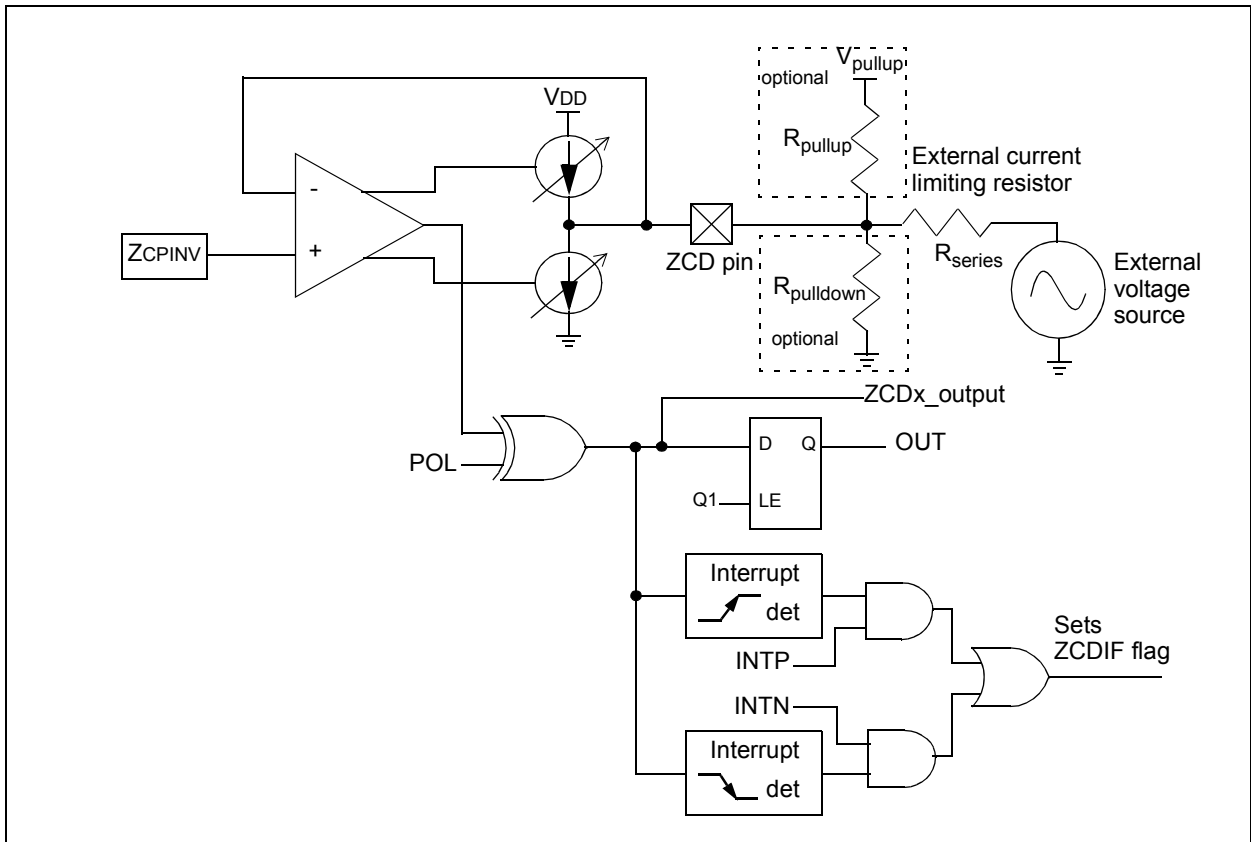


FIGURE 20-2: SIMPLIFIED ZCD BLOCK DIAGRAM



20.2 ZCD Logic Output

The ZCD module includes a Status bit, which can be read to determine whether the current source or sink is active. The OUT bit of the ZCDxCON register is set when the current sink is active, and cleared when the current source is active. The OUT bit is affected by the polarity bit.

20.3 ZCD Logic Polarity

The POL bit of the ZCDxCON register inverts the OUT bit relative to the current source and sink output. When the POL bit is set, a OUT high indicates that the current source is active, and a low output indicates that the current sink is active.

The POL bit affects the ZCD interrupts. See [Section 20.4 “ZCD Interrupts”](#).

20.4 ZCD Interrupts

An interrupt will be generated upon a change in the ZCD logic output when the appropriate interrupt enables are set. A rising edge detector and a falling edge detector are present in the ZCD for this purpose.

The ZCDIF bit of the PIR3 register will be set when either edge detector is triggered and its associated enable bit is set. The INTF enables rising edge interrupts and the INTN bit enables falling edge interrupts. Both are located in the ZCDxCON register.

To fully enable the interrupt, the following bits must be set:

- ZCDIE bit of the PIE3 register
- INTF bit of the ZCDxCON register (for a rising edge detection)
- INTN bit of the ZCDxCON register (for a falling edge detection)
- PEIE and GIE bits of the INTCON register

Changing the POL bit will cause an interrupt, regardless of the level of the EN bit.

The ZCDIF bit of the PIR3 register must be cleared in software as part of the interrupt service. If another edge is detected while this flag is being cleared, the flag will still be set at the end of the sequence.

20.5 Correcting for ZCPINV Offset

The actual voltage at which the ZCD switches is the reference voltage at the non-inverting input of the ZCD op amp. For external voltage source waveforms other than square waves this voltage offset from zero causes the zero-cross event to occur either too early or too late.

20.5.1 CORRECTION BY AC COUPLING

When the external voltage source is sinusoidal, the effects of the ZCPINV offset can be eliminated by isolating the external voltage source from the ZCD pin with a capacitor in addition to the voltage reducing resistor. The capacitor will cause a phase shift resulting in the ZCD output switch in advance of the actual zero-crossing event. The phase shift will be the same for both rising and falling zero crossings, which can be compensated for by either delaying the CPU response to the ZCD switch by a timer or other means, or selecting a capacitor value large enough that the phase shift is negligible.

To determine the series resistor and capacitor values for this configuration, start by computing the impedance, Z , to obtain a peak current of $300\ \mu\text{A}$. Next, arbitrarily select a suitably large non-polar capacitor and compute its reactance, X_C , at the external voltage source frequency. Finally, compute the series resistor, capacitor peak voltage, and phase shift by the formulas shown in [Equation 20-2](#).

EQUATION 20-2: R-C CALCULATIONS

V_{peak} = external voltage source peak voltage
 f = external voltage source frequency
 C = series capacitor
 R = series resistor
 V_C = Peak capacitor voltage
 ϕ = Capacitor induced zero crossing phase advance in radians
 T_ϕ = Time ZC event occurs before actual zero crossing

$$Z = \frac{V_{PEAK}}{3 \times 10^{-4}}$$

$$X_C = \frac{1}{(2\pi fC)}$$

$$R = \sqrt{Z^2 - X_C^2}$$

$$V_C = X_C(3 \times 10^{-4})$$

$$\phi = \tan^{-1}\left(\frac{X_C}{R}\right)$$

$$T_\phi = \frac{\phi}{(2\pi f)}$$

$$V_{rms} = 120$$

EQUATION 20-3: R-C CALCULATIONS EXAMPLE

$$V_{peak} = V_{rms} \cdot \sqrt{2} = 169.7$$

$$f = 60 \text{ Hz}$$

$$C = 0.1 \mu\text{f}$$

$$Z = \frac{V_{peak}}{3 \times 10^{-4}} = \frac{169.7}{3 \times 10^{-4}} = 565.7 \text{ kOhms}$$

$$X_C = \frac{1}{(2\pi fC)} = \frac{1}{(2\pi \cdot 60 \cdot 1 \cdot 10^{-7})} = 26.53 \text{ kOhms}$$

$$R = 560 \text{ kOhms}$$

$$Z_R = \sqrt{(R^2 + X_C^2)} = 560.6 \text{ kOhm (using actual resistor)}$$

$$I_{peak} = \frac{V_{peak}}{Z_R} = 302.7 \cdot 10^{-6}$$

$$V_C = X_C \cdot I_{peak} = 8.0 \text{ V}$$

$$\phi = \tan^{-1}\left(\frac{X_C}{R}\right) = 0.047 \text{ radians}$$

$$T_\phi = \frac{\phi}{(2\pi f)} = 125.6 \mu\text{s}$$

PIC16(L)F1777/8/9

20.5.2 CORRECTION BY OFFSET CURRENT

When the waveform is varying relative to Vss then the zero cross is detected too early as the waveform falls and too late as the waveform rises. When the waveform is varying relative to VDD then the zero cross is detected too late as the waveform rises and too early as the waveform falls. The actual offset time can be determined for sinusoidal waveforms with the corresponding equations shown in [Equation 20-4](#).

EQUATION 20-4: ZCD EVENT OFFSET

When External Voltage Source is relative to Vss:

$$T_{offset} = \frac{\text{asin}\left(\frac{Z_{cpinv}}{V_{peak}}\right)}{2\pi \bullet Freq}$$

When External Voltage Source is relative to VDD:

$$T_{offset} = \frac{\text{asin}\left(\frac{VDD - Z_{cpinv}}{V_{peak}}\right)}{2\pi \bullet Freq}$$

This offset time can be compensated for by adding a pull-up or pull-down biasing resistor to the ZCD pin. A pull-up resistor is used when the external voltage source is varying relative to Vss. A pull-down resistor is used when the voltage is varying relative to VDD. The resistor adds a bias to the ZCD pin so that the target external voltage source must go to zero to pull the pin voltage to the ZCPINV switching voltage. The pull-up or pull-down value can be determined with the equations shown in [Equation 20-5](#).

EQUATION 20-5: ZCD PULL-UP/DOWN

When External Signal is relative to Vss:

$$R_{pullup} = \frac{R_{series}(V_{pullup} - Z_{cpinv})}{Z_{cpinv}}$$

When External Signal is relative to VDD:

$$R_{pulldown} = \frac{R_{series}(Z_{cpinv})}{(VDD - Z_{cpinv})}$$

The pull-up and pull-down resistor values are significantly affected by small variations of ZCPINV. Measuring ZCPINV can be difficult, especially when the waveform is relative to VDD. However, by combining [Equation 20-4](#) and [Equation 20-5](#) the resistor value can be determined from the time difference between the ZCDOUT high and low periods. Note that the time difference, ΔT, is 4 * T_{offset}. The equation for determining the pull-up and pull-down resistor values from the high and low ZCDOUT periods is shown in [Equation 20-6](#). The ZCDOUT signal can be directly observed on a pin by routing the ZCDOUT signal through one of the CLCs.

EQUATION 20-6:

$$R = R_{series} \left(\frac{V_{bias}}{V_{peak} \left(\sin\left(\pi Freq \frac{\Delta T}{2}\right)\right)} - 1 \right)$$

R is pull-up or pull-down resistor

V_{bias} is V_{pullup} when R is pull-up or VDD when R is pull-down

ΔT is the ZCDOUT high and low period difference

20.6 Handling V_{peak} variations

If the peak amplitude of the external voltage is expected to vary then the series resistor must be selected to keep the ZCD current source and sink below the design maximum range of ± 600 μA for the maximum expected voltage and high enough to be detected accurately at the minimum peak voltage. A general rule of thumb is that the maximum peak voltage can be no more than six times the minimum peak voltage. To ensure that the maximum current does not exceed ± 600 μA and the minimum is at least ± 100 μA, compute the series resistance as shown in [Equation 20-7](#). The compensating pull-up for this series resistance can be determined with [Equation 20-5](#) because the pull-up value is independent from the peak voltage.

EQUATION 20-7: SERIES R FOR V RANGE

$$R_{series} = \frac{V_{maxpeak} + V_{minpeak}}{7 \times 10^{-4}}$$

20.7 Operation During Sleep

The ZCD current sources and interrupts are unaffected by Sleep.

20.8 Effects of a Reset

The ZCD circuit can be configured to default to the active or inactive state on Power-on-Reset (POR). When the $\overline{\text{ZCD}}$ Configuration bit is cleared, the ZCD circuit will be active at POR. When the $\overline{\text{ZCD}}$ Configuration bit is set, the ZCDEN bit of the ZCDCON register must be set to enable the ZCD module.

PIC16(L)F1777/8/9

20.9 Register Definitions: ZCD Control

Long bit name prefixes for the zero-cross detect peripheral is shown in Table 20-1. Refer to 1.1.2.2 “Long Bit Names” for more information

TABLE 20-1:

Peripheral	Bit Name Prefix
ZCD1	ZCD1

REGISTER 20-1: ZCDxCON: ZERO-CROSS DETECTION CONTROL REGISTER

R/W-0/0	U-0	R-x/x	R/W-0/0	U-0	U-0	R/W-0/0	R/W-0/0
EN	—	OUT	POL	—	—	INTP	INTN
bit 7							bit 0

Legend:

R = Readable bit	W = Writable bit	U = Unimplemented bit, read as ‘0’
u = Bit is unchanged	x = Bit is unknown	-n/n = Value at POR and BOR/Value at all other Resets
‘1’ = Bit is set	‘0’ = Bit is cleared	q = value depends on configuration bits

- bit 7 **EN:** Zero-Cross Detection Enable bit⁽¹⁾
 1 = Zero-cross detect is enabled. ZCD pin is forced to output to source and sink current.
 0 = Zero-cross detect is disabled. ZCD pin operates according to PPS and TRIS controls.
- bit 6 **Unimplemented:** Read as ‘0’
- bit 5 **OUT:** Zero-Cross Detection Logic Level bit
POL bit = 0:
 1 = ZCD pin is sinking current
 0 = ZCD pin is sourcing current
POL bit = 1:
 1 = ZCD pin is sourcing current
 0 = ZCD pin is sinking current
- bit 4 **POL:** Zero-Cross Detection Logic Output Polarity bit
 1 = ZCD logic output is inverted
 0 = ZCD logic output is not inverted
- bit 3-2 **Unimplemented:** Read as ‘0’
- bit 1 **INTP:** Zero-Cross Positive Edge Interrupt Enable bit
 1 = ZCDIF bit is set on low-to-high OUT transition
 0 = ZCDIF bit is unaffected by low-to-high OUT transition
- bit 0 **INTN:** Zero-Cross Negative Edge Interrupt Enable bit
 1 = ZCDIF bit is set on high-to-low OUT transition
 0 = ZCDIF bit is unaffected by high-to-low OUT transition

Note 1: The EN bit has no effect when the $\overline{\text{ZCD}}$ Configuration bit is cleared.

TABLE 20-2: SUMMARY OF REGISTERS ASSOCIATED WITH THE ZCD MODULE

Name	Bit 7	Bit 6	Bit 5	Bit 4	Bit 3	Bit 2	Bit 1	Bit 0	Register on page
PIE3	—	—	COG2IE	ZCDIE	CLC4IE	CLC3IE	CLC2IE	CLC1IE	135
PIR3	—	—	COG2IF	ZCDIF	CLC4IF	CLC3IF	CLC2IF	CLC1IF	141
ZCD1CON	EN	—	OUT	POL	—	—	INTP	INTN	270

Legend: — = unimplemented, read as '0'. Shaded cells are unused by the ZCD module.

TABLE 20-3: SUMMARY OF CONFIGURATION WORD WITH THE ZCD MODULE

Name	Bits	Bit -/7	Bit -/6	Bit 13/5	Bit 12/4	Bit 11/3	Bit 10/2	Bit 9/1	Bit 8/0	Register on Page
CONFIG2	13:8	—	—	LVP	$\overline{\text{DEBUG}}$	$\overline{\text{LPBOR}}$	BORV	STVREN	PLLEN	97
	7:0	$\overline{\text{ZCD}}$	—	—	—	—	PPS1WAY	WRT<1:0>		

Legend: — = unimplemented location, read as '0'. Shaded cells are not used by the ZCD module.

PIC16(L)F1777/8/9

21.0 TIMER0 MODULE

The Timer0 module is an 8-bit timer/counter with the following features:

- 8-bit timer/counter register (TMR0)
- 8-bit prescaler (independent of Watchdog Timer)
- Programmable internal or external clock source
- Programmable external clock edge selection
- Interrupt-on-overflow
- TMR0 can be used to gate Timer1

Figure 21-1 is a block diagram of the Timer0 module.

21.1 Timer0 Operation

The Timer0 module can be used as either an 8-bit timer or an 8-bit counter.

21.1.1 8-BIT TIMER MODE

The Timer0 module will increment every instruction cycle, if used without a prescaler. 8-bit Timer mode is selected by clearing the TMR0CS bit of the OPTION_REG register.

When TMR0 is written, the increment is inhibited for two instruction cycles immediately following the write.

Note: The value written to the TMR0 register can be adjusted, in order to account for the two instruction cycle delay when TMR0 is written.

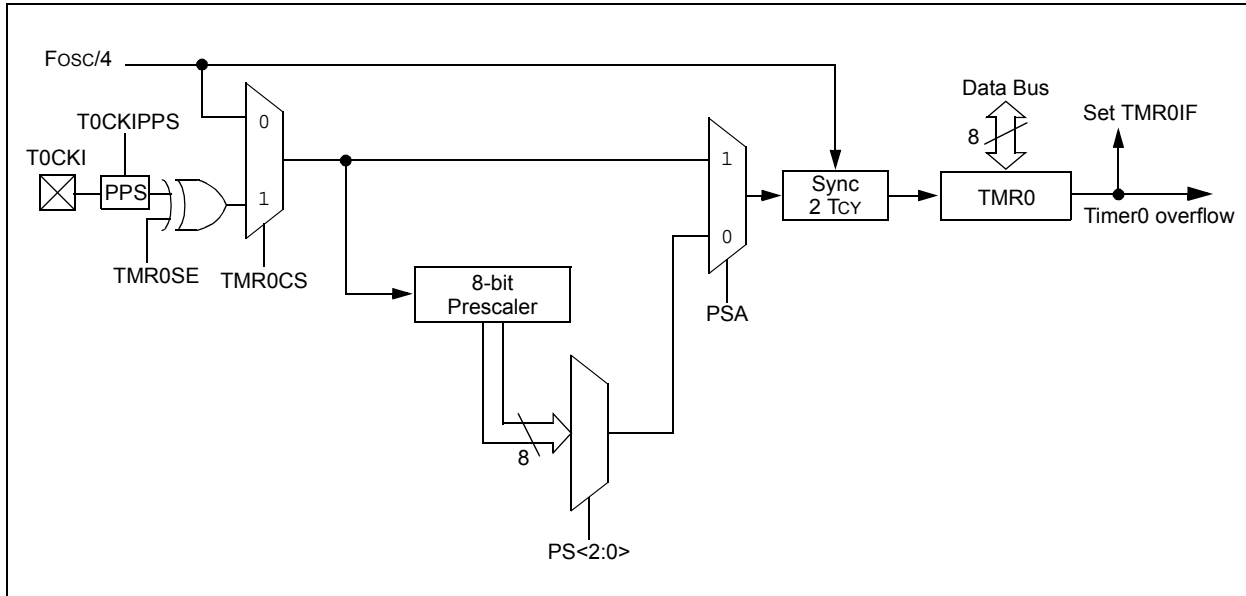
21.1.2 8-BIT COUNTER MODE

In 8-Bit Counter mode, the Timer0 module will increment on every rising or falling edge of the T0CKI pin.

8-Bit Counter mode using the T0CKI pin is selected by setting the TMR0CS bit in the OPTION_REG register to '1'.

The rising or falling transition of the incrementing edge for either input source is determined by the TMR0SE bit in the OPTION_REG register.

FIGURE 21-1: BLOCK DIAGRAM OF THE TIMER0



21.1.3 SOFTWARE PROGRAMMABLE PRESCALER

A software programmable prescaler is available for exclusive use with Timer0. The prescaler is enabled by clearing the PSA bit of the OPTION_REG register.

Note: The Watchdog Timer (WDT) uses its own independent prescaler.

There are eight prescaler options for the Timer0 module ranging from 1:2 to 1:256. The prescale values are selectable via the PS<2:0> bits of the OPTION_REG register. In order to have a 1:1 prescaler value for the Timer0 module, the prescaler must be disabled by setting the PSA bit of the OPTION_REG register.

The prescaler is not readable or writable. All instructions writing to the TMR0 register will clear the prescaler.

21.1.4 TIMER0 INTERRUPT

Timer0 will generate an interrupt when the TMR0 register overflows from FFh to 00h. The TMR0IF interrupt flag bit of the INTCON register is set every time the TMR0 register overflows, regardless of whether or not the Timer0 interrupt is enabled. The TMR0IF bit can only be cleared in software. The Timer0 interrupt enable is the TMR0IE bit of the INTCON register.

Note: The Timer0 interrupt cannot wake the processor from Sleep since the timer is frozen during Sleep.

21.1.5 8-BIT COUNTER MODE SYNCHRONIZATION

When in 8-Bit Counter mode, the incrementing edge on the T0CKI pin must be synchronized to the instruction clock. Synchronization can be accomplished by sampling the prescaler output on the Q2 and Q4 cycles of the instruction clock. The high and low periods of the external clocking source must meet the timing requirements as shown in [Table 36-12: Timer0 and Timer1 External Clock Requirements](#).

21.1.6 OPERATION DURING SLEEP

Timer0 cannot operate while the processor is in Sleep mode. The contents of the TMR0 register will remain unchanged while the processor is in Sleep mode.

PIC16(L)F1777/8/9

21.2 Register Definitions: Option Register

REGISTER 21-1: OPTION_REG: OPTION REGISTER

R/W-1/1	R/W-1/1	R/W-1/1	R/W-1/1	R/W-1/1	R/W-1/1	R/W-1/1	R/W-1/1
WPUEN	INTEDG	TMR0CS	TMR0SE	PSA	PS<2:0>		
bit 7							bit 0

Legend:

R = Readable bit	W = Writable bit	U = Unimplemented bit, read as '0'
u = Bit is unchanged	x = Bit is unknown	-n/n = Value at POR and BOR/Value at all other Resets
'1' = Bit is set	'0' = Bit is cleared	

- bit 7 **WPUEN:** Weak Pull-Up Enable bit
 1 = All weak pull-ups are disabled (except MCLR, if it is enabled)
 0 = Weak pull-ups are enabled by individual WPUx latch values
- bit 6 **INTEDG:** Interrupt Edge Select bit
 1 = Interrupt on rising edge of INT pin
 0 = Interrupt on falling edge of INT pin
- bit 5 **TMROCS:** Timer0 Clock Source Select bit
 1 = Transition on T0CKI pin
 0 = Internal instruction cycle clock (Fosc/4)
- bit 4 **TMR0SE:** Timer0 Source Edge Select bit
 1 = Increment on high-to-low transition on T0CKI pin
 0 = Increment on low-to-high transition on T0CKI pin
- bit 3 **PSA:** Prescaler Assignment bit
 1 = Prescaler is not assigned to the Timer0 module
 0 = Prescaler is assigned to the Timer0 module
- bit 2-0 **PS<2:0>:** Prescaler Rate Select bits

Bit Value	Timer0 Rate
000	1 : 2
001	1 : 4
010	1 : 8
011	1 : 16
100	1 : 32
101	1 : 64
110	1 : 128
111	1 : 256

TABLE 21-1: SUMMARY OF REGISTERS ASSOCIATED WITH TIMERO

Name	Bit 7	Bit 6	Bit 5	Bit 4	Bit 3	Bit 2	Bit 1	Bit 0	Register on Page
INTCON	GIE	PEIE	TMR0IE	INTE	IOCFIE	TMR0IF	INTF	IOCF	132
OPTION_REG	WPUEN	INTEDG	TMR0CS	TMR0SE	PSA	PS<2:0>			274
TMR0	Timer0 Module Register								272*
TRISA	TRISA7	TRISA6	TRISA5	TRISA4	TRISA3	TRISA2	TRISA1	TRISA0	176

Legend: — = Unimplemented location, read as '0'. Shaded cells are not used by the Timer0 module.

* Page provides register information.

22.0 TIMER1/3/5 MODULE WITH GATE CONTROL

The Timer1 module is a 16-bit timer/counter with the following features:

- 16-bit timer/counter register pair (TMR1H:TMR1L)
- Programmable internal or external clock source
- 2-bit prescaler
- Dedicated 32 kHz oscillator circuit
- Optionally synchronized comparator out
- Multiple Timer1 gate (count enable) sources
- Interrupt-on-overflow
- Wake-up on overflow (external clock, Asynchronous mode only)
- Time base for the Capture/Compare function
- Auto-conversion Trigger (with CCP)

- Selectable Gate Source Polarity
- Gate Toggle mode
- Gate Single-pulse mode
- Gate Value Status
- Gate Event Interrupt

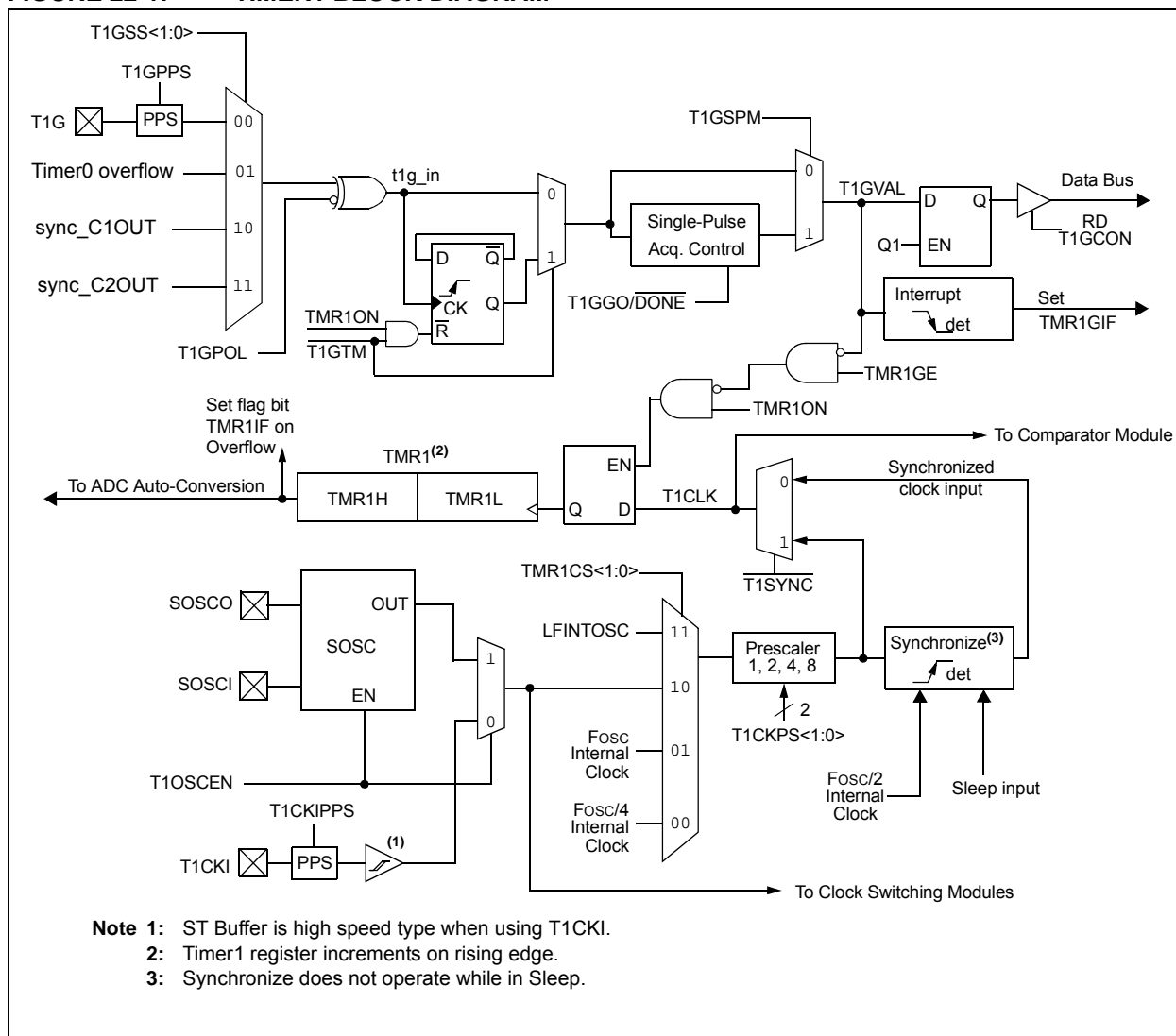
Figure 22-1 is a block diagram of the Timer1 module.

This device has three instances of Timer1 type modules. They include:

- Timer1
- Timer3
- Timer5

Note: All references to Timer1 and Timer1 Gate apply to Timer3 and Timer5.

FIGURE 22-1: TIMER1 BLOCK DIAGRAM



PIC16(L)F1777/8/9

22.1 Timer1 Operation

The Timer1 module is a 16-bit incrementing counter which is accessed through the TMR1H:TMR1L register pair. Writes to TMR1H or TMR1L directly update the counter.

When used with an internal clock source, the module is a timer and increments on every instruction cycle. When used with an external clock source, the module can be used as either a timer or counter and increments on every selected edge of the external source.

Timer1 is enabled by configuring the ON and GE bits in the T1CON and T1GCON registers, respectively. [Table 22-1](#) displays the Timer1 enable selections.

TABLE 22-1: TIMER1 ENABLE SELECTIONS

TMR1ON	TMR1GE	Timer1 Operation
0	0	Off
0	1	Off
1	0	Always On
1	1	Count Enabled

22.2 Clock Source Selection

The CS<1:0> and OSCEN bits of the T1CON register are used to select the clock source for Timer1. [Table 22-2](#) displays the clock source selections.

22.2.1 INTERNAL CLOCK SOURCE

When the internal clock source is selected, the TMR1H:TMR1L register pair will increment on multiples of FOSC as determined by the Timer1 prescaler.

When the Fosc internal clock source is selected, the Timer1 register value will increment by four counts every instruction clock cycle. Due to this condition, a 2 LSB error in resolution will occur when reading the Timer1 value. To utilize the full resolution of Timer1, an asynchronous input signal must be used to gate the Timer1 clock input.

The following asynchronous sources may be used:

- Asynchronous event on the T1G pin to Timer1 gate
- C1 or C2 comparator input to Timer1 gate

22.2.2 EXTERNAL CLOCK SOURCE

When the external clock source is selected, the Timer1 module may work as a timer or a counter.

When enabled to count, Timer1 is incremented on the rising edge of the external clock input T1CKI, which can be synchronized to the microcontroller system clock or can run asynchronously.

When used as a timer with a clock oscillator, an external 32.768 kHz crystal can be used in conjunction with the dedicated internal oscillator circuit.

Note: In Counter mode, a falling edge must be registered by the counter prior to the first incrementing rising edge after any one or more of the following conditions:

- Timer1 enabled after POR
- Write to TMR1H or TMR1L
- Timer1 is disabled
- Timer1 is disabled (TMR1ON = 0) when T1CKI is high then Timer1 is enabled (TMR1ON=1) when T1CKI is low.

TABLE 22-2: CLOCK SOURCE SELECTIONS

TMR1CS<1:0>	T1OSCEN	Clock Source
11	x	LFINTOSC
10	0	External Clocking on T1CKI Pin
01	x	System Clock (Fosc)
00	x	Instruction Clock (Fosc/4)

22.3 Timer1 Prescaler

Timer1 has four prescaler options allowing 1, 2, 4 or 8 divisions of the clock input. The CKPS bits of the T1CON register control the prescale counter. The prescale counter is not directly readable or writable; however, the prescaler counter is cleared upon a write to TMR1H or TMR1L.

22.4 Timer1 (Secondary) Oscillator

A dedicated low-power 32.768 kHz oscillator circuit is built-in between pins SOSC1 (input) and SOSCO (amplifier output). This internal circuit is to be used in conjunction with an external 32.768 kHz crystal.

The oscillator circuit is enabled by setting the OSCEN bit of the T1CON register. The oscillator will continue to run during Sleep.

Note: The oscillator requires a start-up and stabilization time before use. Thus, OSCEN should be set and a suitable delay observed prior to using Timer1. A suitable delay similar to the OST delay can be implemented in software by clearing the TMR1IF bit then presetting the TMR1H:TMR1L register pair to FC00h. The TMR1IF flag will be set when 1024 clock cycles have elapsed, thereby indicating that the oscillator is running and reasonably stable.

22.5 Timer1 Operation in Asynchronous Counter Mode

If the control bit $\overline{\text{SYNC}}$ of the T1CON register is set, the external clock input is not synchronized. The timer increments asynchronously to the internal phase clocks. If the external clock source is selected then the timer will continue to run during Sleep and can generate an interrupt-on-overflow, which will wake-up the processor. However, special precautions in software are needed to read/write the timer (see [Section 22.5.1 “Reading and Writing Timer1 in Asynchronous Counter Mode”](#)).

Note: When switching from synchronous to asynchronous operation, it is possible to skip an increment. When switching from asynchronous to synchronous operation, it is possible to produce an additional increment.

22.5.1 READING AND WRITING TIMER1 IN ASYNCHRONOUS COUNTER MODE

Reading TMR1H or TMR1L while the timer is running from an external asynchronous clock will ensure a valid read (taken care of in hardware). However, the user should keep in mind that reading the 16-bit timer in two 8-bit values itself, poses certain problems, since the timer may overflow between the reads.

For writes, it is recommended that the user simply stop the timer and write the desired values. A write contention may occur by writing to the timer registers, while the register is incrementing. This may produce an unpredictable value in the TMR1H:TMR1L register pair.

22.6 Timer1 Gate

Timer1 can be configured to count freely or the count can be enabled and disabled using Timer1 gate circuitry. This is also referred to as Timer1 Gate Enable.

Timer1 gate can also be driven by multiple selectable sources.

22.6.1 TIMER1 GATE ENABLE

The Timer1 Gate Enable mode is enabled by setting the GE bit of the T1GCON register. The polarity of the Timer1 Gate Enable mode is configured using the GPOL bit of the T1GCON register.

When Timer1 Gate Enable mode is enabled, Timer1 will increment on the rising edge of the Timer1 clock source. When Timer1 Gate Enable mode is disabled, no incrementing will occur and Timer1 will hold the current count. See [Figure 22-3](#) for timing details.

TABLE 22-3: TIMER1 GATE ENABLE SELECTIONS

T1CLK	T1GPOL	T1G	Timer1 Operation
↑	1	1	Counts
↑	1	0	Holds Count
↑	0	1	Holds Count
↑	0	0	Counts

PIC16(L)F1777/8/9

22.6.2 TIMER1 GATE SOURCE SELECTION

Timer1 gate source selections are shown in [Table 22-4](#). Source selection is controlled by the T1GSS bits of the T1GCON register. The polarity for each available source is also selectable. Polarity selection is controlled by the T1GPOL bit of the T1GCON register.

TABLE 22-4: TIMER1 GATE SOURCES

T1GSS	Timer1 Gate Source
11	Comparator 2 Output sync_C2OUT (optionally Timer1 synchronized output)
10	Comparator 1 Output sync_C1OUT (optionally Timer1 synchronized output)
01	Overflow of Timer0 (TMR0 increments from FFh to 00h)
00	Timer1 Gate Pin

22.6.2.1 T1G Pin Gate Operation

The T1G pin is one source for Timer1 gate control. It can be used to supply an external source to the Timer1 gate circuitry.

22.6.2.2 Timer0 Overflow Gate Operation

When Timer0 increments from FFh to 00h, a low-to-high pulse will automatically be generated and internally supplied to the Timer1 gate circuitry.

22.6.2.3 Comparator C1 Gate Operation

The output resulting from a Comparator 1 operation can be selected as a source for Timer1 gate control. The Comparator 1 output (sync_C1OUT) can be synchronized to the Timer1 clock or left asynchronous. For more information see [Section 19.4.1 “Comparator Output Synchronization”](#).

22.6.2.4 Comparator C2 Gate Operation

The output resulting from a Comparator 2 operation can be selected as a source for Timer1 gate control. The Comparator 2 output (sync_C2OUT) can be synchronized to the Timer1 clock or left asynchronous. For more information see [Section 19.4.1 “Comparator Output Synchronization”](#).

22.6.3 TIMER1 GATE TOGGLE MODE

When Timer1 Gate Toggle mode is enabled, it is possible to measure the full-cycle length of a Timer1 gate signal, as opposed to the duration of a single level pulse.

The Timer1 gate source is routed through a flip-flop that changes state on every incrementing edge of the signal. See [Figure 22-4](#) for timing details.

Timer1 Gate Toggle mode is enabled by setting the T1GTM bit of the T1GCON register. When the T1GTM bit is cleared, the flip-flop is cleared and held clear. This is necessary in order to control which edge is measured.

Note: Enabling Toggle mode at the same time as changing the gate polarity may result in indeterminate operation.

22.6.4 TIMER1 GATE SINGLE-PULSE MODE

When Timer1 Gate Single-Pulse mode is enabled, it is possible to capture a single-pulse gate event. Timer1 Gate Single-Pulse mode is first enabled by setting the T1GSPM bit in the T1GCON register. Next, the T1GGO/DONE bit in the T1GCON register must be set. The Timer1 will be fully enabled on the next incrementing edge. On the next trailing edge of the pulse, the T1GGO/DONE bit will automatically be cleared. No other gate events will be allowed to increment Timer1 until the T1GGO/DONE bit is once again set in software. See [Figure 22-5](#) for timing details.

If the Single-Pulse Gate mode is disabled by clearing the T1GSPM bit in the T1GCON register, the T1GGO/DONE bit should also be cleared.

Enabling the Toggle mode and the Single-Pulse mode simultaneously will permit both sections to work together. This allows the cycle times on the Timer1 gate source to be measured. See [Figure 22-6](#) for timing details.

22.6.5 TIMER1 GATE VALUE STATUS

When Timer1 Gate Value Status is utilized, it is possible to read the most current level of the gate control value. The value is stored in the T1GVAL bit in the T1GCON register. The T1GVAL bit is valid even when the Timer1 gate is not enabled (TMR1GE bit is cleared).

22.6.6 TIMER1 GATE EVENT INTERRUPT

When Timer1 Gate Event Interrupt is enabled, it is possible to generate an interrupt upon the completion of a gate event. When the falling edge of T1GVAL occurs, the TMR1GIF flag bit in the PIR1 register will be set. If the TMR1GIE bit in the PIE1 register is set, then an interrupt will be recognized.

The TMR1GIF flag bit operates even when the Timer1 gate is not enabled (TMR1GE bit is cleared).

22.7 Timer1 Interrupt

The Timer1 register pair (TMR1H:TMR1L) increments to FFFFh and rolls over to 0000h. When Timer1 rolls over, the Timer1 interrupt flag bit of the PIR1 register is set. To enable the interrupt-on-rollover, you must set these bits:

- ON bit of the T1CON register
- TMR1IE bit of the PIE1 register
- PEIE bit of the INTCON register
- GIE bit of the INTCON register

The interrupt is cleared by clearing the TMR1IF bit in the Interrupt Service Routine.

Note: The TMR1H:TMR1L register pair and the TMR1IF bit should be cleared before enabling interrupts.

22.8 Timer1 Operation During Sleep

Timer1 can only operate during Sleep when setup in Asynchronous Counter mode. In this mode, an external crystal or clock source can be used to increment the counter. To set up the timer to wake the device:

- ON bit of the T1CON register must be set
- TMR1IE bit of the PIE1 register must be set
- PEIE bit of the INTCON register must be set
- SYNC bit of the T1CON register must be set
- CS bits of the T1CON register must be configured
- OSCEN bit of the T1CON register must be configured

The device will wake-up on an overflow and execute the next instructions. If the GIE bit of the INTCON register is set, the device will call the Interrupt Service Routine.

Secondary oscillator will continue to operate in Sleep regardless of the SYNC bit setting.

22.9 CCP Capture/Compare Time Base

The CCP modules use the TMR1H:TMR1L register pair as the time base when operating in Capture or Compare mode.

In Capture mode, the value in the TMR1H:TMR1L register pair is copied into the CCPR1H:CCPR1L register pair on a configured event.

In Compare mode, an event is triggered when the value in the CCPR1H:CCPR1L register pair matches the value in the TMR1H:TMR1L register pair. This event can be an Auto-conversion Trigger.

For more information, see [Section 24.0 “Capture/Compare/PWM Modules”](#).

22.10 CCP Auto-Conversion Trigger

When any of the CCP's are configured to trigger an auto-conversion, the trigger will clear the TMR1H:TMR1L register pair. This auto-conversion does not cause a Timer1 interrupt. The CCP module may still be configured to generate a CCP interrupt.

In this mode of operation, the CCPR1H:CCPR1L register pair becomes the period register for Timer1.

Timer1 should be synchronized and FOSC/4 should be selected as the clock source in order to utilize the Auto-conversion Trigger. Asynchronous operation of Timer1 can cause an Auto-conversion Trigger to be missed.

In the event that a write to TMR1H or TMR1L coincides with an Auto-conversion Trigger from the CCP, the write will take precedence.

For more information, see [Section 24.2.1 “Auto-Conversion Trigger”](#).

FIGURE 22-2: TIMER1 INCREMENTING EDGE



PIC16(L)F1777/8/9

FIGURE 22-3: TIMER1 GATE ENABLE MODE



FIGURE 22-4: TIMER1 GATE TOGGLE MODE

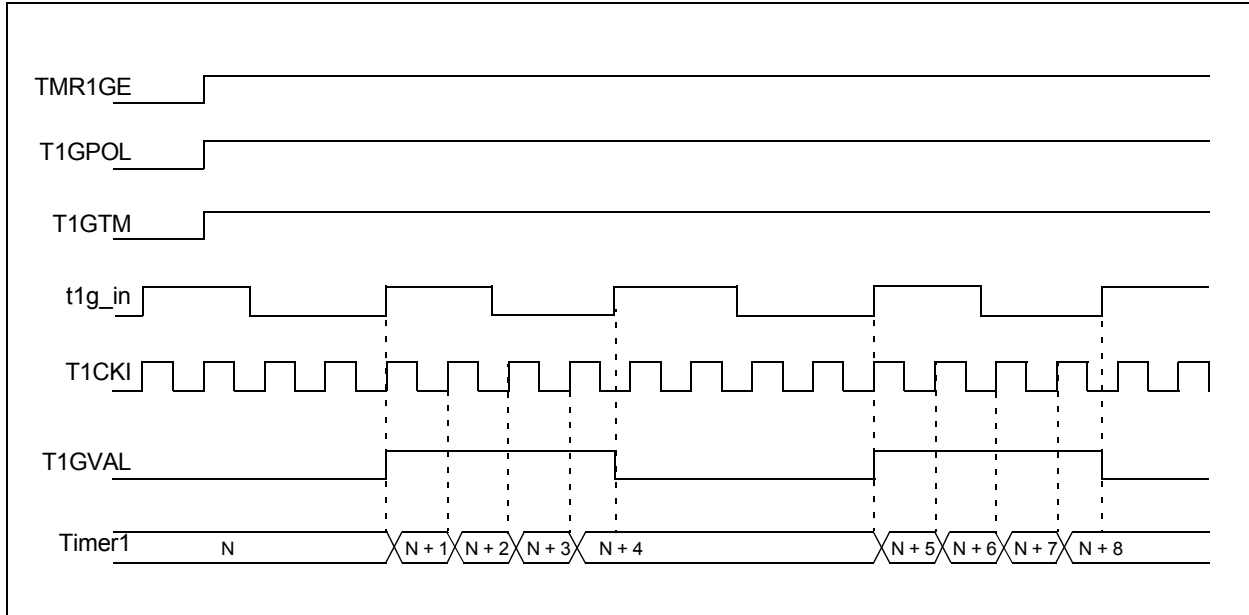


FIGURE 22-5: TIMER1 GATE SINGLE-PULSE MODE



PIC16(L)F1777/8/9

FIGURE 22-6: TIMER1 GATE SINGLE-PULSE AND TOGGLE COMBINED MODE



22.11 Register Definitions: Timer1 Control

Long bit name prefixes for the Timer1 peripherals are shown in Table 22-5. Refer to Section 1.1.2.2 “Long Bit Names” for more information

TABLE 22-5:

Peripheral	Bit Name Prefix
Timer1	T1
Timer3	T3
Timer5	T5

REGISTER 22-1: T1CON: TIMER1 CONTROL REGISTER

R/W-0/u	R/W-0/u	R/W-0/u	R/W-0/u	R/W-0/u	R/W-0/u	U-0	R/W-0/u
CS<1:0>		CKPS<1:0>		OSCCEN ⁽¹⁾	$\overline{\text{SYNC}}$	—	ON
bit 7							bit 0

Legend:

R = Readable bit	W = Writable bit	U = Unimplemented bit, read as '0'
u = Bit is unchanged	x = Bit is unknown	-n/n = Value at POR and BOR/Value at all other Resets
'1' = Bit is set	'0' = Bit is cleared	

- bit 7-6 **CS<1:0>**: Timer1 Clock Source Select bits
 11 = LFINTOSC
 10 = Timer1 clock source is pin or oscillator:⁽¹⁾
 If T1OSCCEN = 0:
 External clock from T1CKI pin (on the rising edge)
 If T1OSCCEN = 1:
 Crystal oscillator on SOSC1/SOSCO pins
 01 = Timer1 clock source is system clock (FOSC)
 00 = Timer1 clock source is instruction clock (FOSC/4)
- bit 5-4 **CKPS<1:0>**: Timer1 Input Clock Prescale Select bits
 11 = 1:8 Prescale value
 10 = 1:4 Prescale value
 01 = 1:2 Prescale value
 00 = 1:1 Prescale value
- bit 3 **OSCCEN**: LP Oscillator Enable Control bit⁽¹⁾
 1 = Dedicated secondary oscillator circuit enabled
 0 = Dedicated secondary oscillator circuit disabled
- bit 2 **SYNC**: Timer1 Synchronization Control bit
 1 = Do not synchronize asynchronous clock input
 0 = Synchronize asynchronous clock input with system clock (FOSC)
- bit 1 **Unimplemented**: Read as '0'
- bit 0 **ON**: Timer1 On bit
 1 = Enables Timer1
 0 = Stops Timer1 and clears Timer1 gate flip-flop

Note 1: Timer1 only. Reserved, do not use for Timer3 and Timer5.

PIC16(L)F1777/8/9

REGISTER 22-2: T1GCON: TIMER1 GATE CONTROL REGISTER

R/W-0/u	R/W-0/u	R/W-0/u	R/W-0/u	R/W/HC-0/u	R-x/x	R/W-0/u	R/W-0/u
GE	GPOL	GTM	GSPM	<u>GGO/</u> <u>DONE</u>	GVAL	GSS<1:0>	
bit 7						bit 0	

Legend:

R = Readable bit	W = Writable bit	U = Unimplemented bit, read as '0'
u = Bit is unchanged	x = Bit is unknown	-n/n = Value at POR and BOR/Value at all other Resets
'1' = Bit is set	'0' = Bit is cleared	HC = Bit is cleared by hardware

- bit 7 **GE:** Timer1 Gate Enable bit
If TMR1ON = 0:
This bit is ignored
If TMR1ON = 1:
1 = Timer1 counting is controlled by the Timer1 gate function
0 = Timer1 counts regardless of Timer1 gate function
- bit 6 **GPOL:** Timer1 Gate Polarity bit
1 = Timer1 gate is active-high (Timer1 counts when gate is high)
0 = Timer1 gate is active-low (Timer1 counts when gate is low)
- bit 5 **GTM:** Timer1 Gate Toggle Mode bit
1 = Timer1 Gate Toggle mode is enabled
0 = Timer1 Gate Toggle mode is disabled and toggle flip-flop is cleared
Timer1 gate flip-flop toggles on every rising edge.
- bit 4 **GSPM:** Timer1 Gate Single-Pulse Mode bit
1 = Timer1 Gate Single-Pulse mode is enabled and is controlling Timer1 gate
0 = Timer1 Gate Single-Pulse mode is disabled
- bit 3 **GGO/DONE:** Timer1 Gate Single-Pulse Acquisition Status bit
1 = Timer1 gate single-pulse acquisition is ready, waiting for an edge
0 = Timer1 gate single-pulse acquisition has completed or has not been started
- bit 2 **GVAL:** Timer1 Gate Value Status bit
Indicates the current state of the Timer1 gate that could be provided to TMR1H:TMR1L
Unaffected by Timer1 Gate Enable (TMR1GE)
- bit 1-0 **GSS<1:0>:** Timer1 Gate Source Select bits
11 = Comparator 2 optionally synchronized output (sync_C2OUT)
10 = Comparator 1 optionally synchronized output (sync_C1OUT)
01 = Timer0 overflow output
00 = Timer1 gate pin

TABLE 22-6: SUMMARY OF REGISTERS ASSOCIATED WITH TIMER1

Name	Bit 7	Bit 6	Bit 5	Bit 4	Bit 3	Bit 2	Bit 1	Bit 0	Register on Page
ANSELA	—	—	ANSA5	ANSA4	ANSA3	ANSA2	ANSA1	ANSA0	177
CCPxCON	EN	—	OUT	FMT	MODE<3:0>				319
INTCON	GIE	PEIE	TMR0IE	INTE	IOCFE	TMR0IF	INTF	IOCF	132
PIE1	TMR1GIE	ADIE	RCIE	TXIE	SSP1IE	CCP1IE	TMR2IE	TMR1IE	133
PIR1	TMR1GIF	ADIF	RCIF	TXIF	SSP1IF	CCP1IF	TMR2IF	TMR1IF	139
TMRxH	Holding Register for the Most Significant Byte of the 16-bit TMR1/3/5 Register								275*
TMRxL	Holding Register for the Least Significant Byte of the 16-bit TMR1/3/5 Register								275*
TRISA	TRISA7	TRISA6	TRISA5	TRISA4	TRISA3	TRISA2	TRISA1	TRISA0	176
TxCON	CS<1:0>		CKPS<1:0>		OSCEN	SYNC	—	ON	283
TxGCON	GE	GPOL	GTM	GSPM	GGO/ DONE	GVAL	GSS<1:0>		284

Legend: — = unimplemented location, read as '0'. Shaded cells are not used by the Timer1 module.

* Page provides register information.

PIC16(L)F1777/8/9

23.0 TIMER2/4/6/8 MODULE

The Timer2/4/6/8 modules are 8-bit timers that can operate as free-running period counters or in conjunction with external signals that control start, run, freeze, and reset operation in One-Shot and Monostable modes of operation. Sophisticated waveform control such as pulse density modulation are possible by combining the operation of these timers with other internal peripherals such as the comparators and CCP modules. Features of the timer include:

- 8-bit timer register
- 8-bit period register
- Selectable external hardware timer Resets
- Programmable prescaler (1:1 to 1:128)
- Programmable postscaler (1:1 to 1:16)
- Selectable synchronous/asynchronous operation
- Alternate clock sources
- Interrupt-on-period

- Three modes of operation:
 - Free Running Period
 - One-shot
 - Monostable

See [Figure 23-1](#) for a block diagram of Timer2. See [Figure 23-2](#) for the clock source block diagram.

Note: Three identical Timer2 modules are implemented on this device. The timers are named Timer2, Timer4, Timer6, and Timer8. All references to Timer2 apply as well to Timer4, Timer6 and Timer8. All references to T2PR apply as well to T4PR, T6PR and T8PR.

FIGURE 23-1: TIMER2 BLOCK DIAGRAM

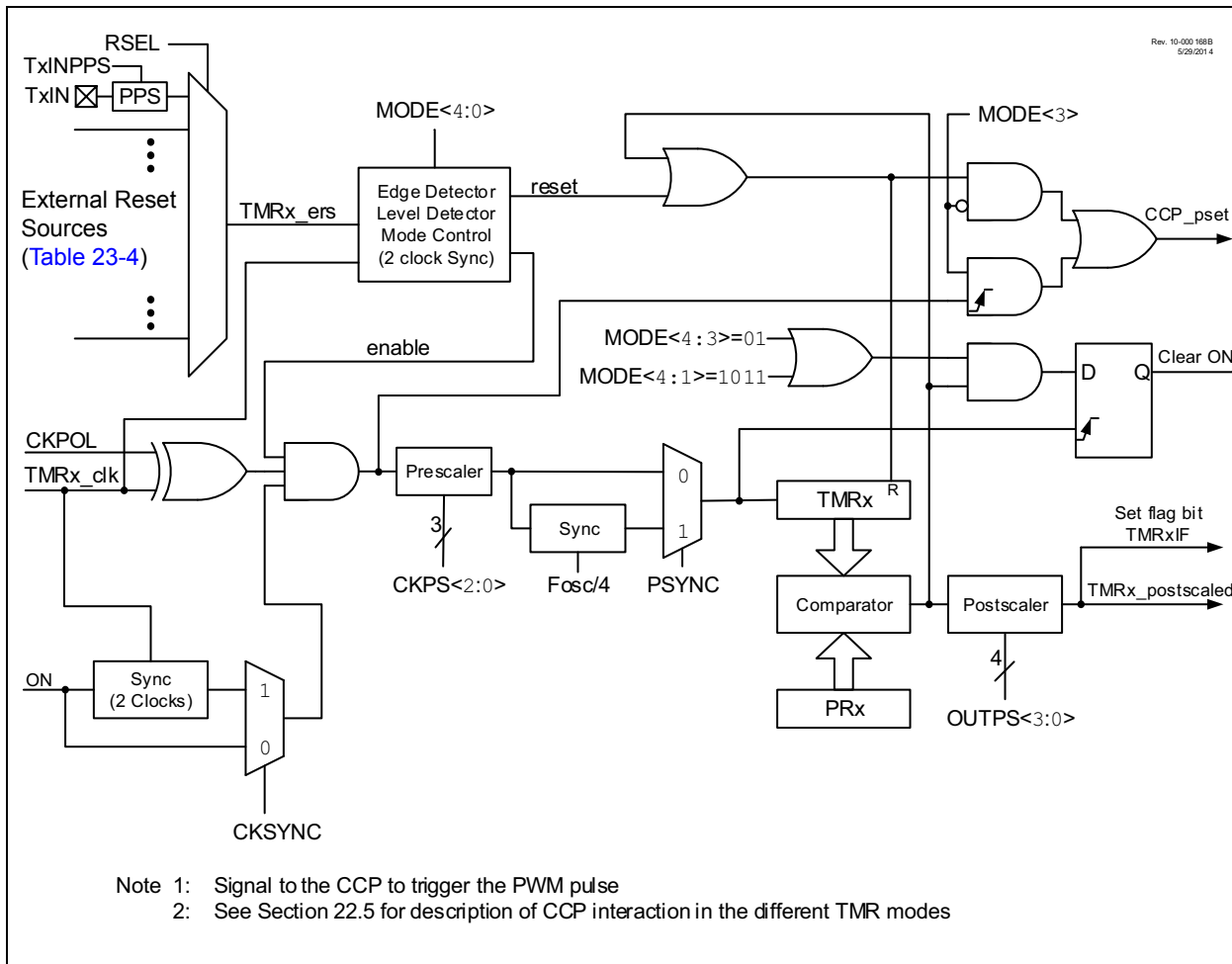


FIGURE 23-2: TIMER2 CLOCK SOURCE BLOCK DIAGRAM



23.1 Timer2 Operation

Timer2 operates in three major modes:

- Free Running Period
- One-shot
- Monostable

Within each mode there are several options for starting, stopping, and reset. [Table 23-1](#) lists the options.

In all modes, the TMR2 count register is incremented on the rising edge of the clock signal from the programmable prescaler. When TMR2 equals T2PR, a high level is output to the postscaler counter. TMR2 is cleared on the next clock input.

An external signal from hardware can also be configured to gate the timer operation or force a TMR2 count Reset. In Gate modes the counter stops when the gate is disabled and resumes when the gate is enabled. In Reset modes the TMR2 count is reset on either the level or edge from the external source.

The TMR2 and T2PR registers are both directly readable and writable. The TMR2 register is cleared and the T2PR register initializes to FFh on any device Reset. Both the prescaler and postscaler counters are cleared on the following events:

- a write to the TMR2 register
- a write to the T2CON register
- any device Reset
- External Reset Source event that resets the timer.

Note: TMR2 is not cleared when T2CON is written.

23.1.1 FREE RUNNING PERIOD MODE

The value of TMR2 is compared to that of the Period register, T2PR, on each clock cycle. When the two values match, the comparator resets the value of TMR2 to 00h on the next cycle and increments the output postscaler counter. When the postscaler count equals the value in the OUTPS<4:0> bits of the TMRxCON1 register then a one clock period wide pulse occurs on the TMR2_postscaled output, and the postscaler count is cleared.

23.1.2 ONE-SHOT MODE

The One-Shot mode is identical to the Free Running Period mode except that the ON bit is cleared and the timer is stopped when TMR2 matches T2PR and will not restart until the T2ON bit is cycled off and on. Postscaler OUTPS<4:0> values other than 0 are meaningless in this mode because the timer is stopped at the first period event and the postscaler is reset when the timer is restarted.

23.1.3 MONOSTABLE MODE

Monostable modes are similar to One-Shot modes except that the ON bit is not cleared and the timer can be restarted by an external Reset event.

23.2 PRx Period Register

The PRx period register is double buffered, software reads and writes the PRx register. However, the timer uses a buffered PRx register for operation. Software does not have direct access to the buffered PRx register. The contents of the PRx register is transferred to the buffer by any of the following events:

- A write to the TMRx register
- A write to the TMRxCON register
- When TMRx = PRx buffer and the prescaler rolls over
- An external Reset event

23.3 Timer2 Output

The Timer2 module's primary output is TMR2_postscaled, which pulses for a single TMR2_clk period when the postscaler counter matches the value in the OUTPS bits of the TMR2xCON register. The T2PR postscaler is incremented each time the TMR2 value matches the T2PR value. This signal can be selected as an input to several other input modules:

- The ADC module, as an Auto-conversion Trigger
- COG, as an auto-shutdown source

PIC16(L)F1777/8/9

In addition, the Timer2 is also used by the CCP module for pulse generation in PWM mode. Both the actual TMR2 value as well as other internal signals are sent to the CCP module to properly clock both the period and pulse width of the PWM signal. See **Section 24.6 “CCP/PWM Clock Selection”** for more details on setting up Timer2 for use with the CCP, as well as the timing diagrams in **Section 23.6 “Operation Examples”** for examples of how the varying Timer2 modes affect CCP PWM output.

23.4 External Reset Sources

In addition to the clock source, the Timer2 also takes in an external Reset source. This external Reset source is selected for Timer2, Timer4, Timer6 and Timer8 with the T2RST, T4RST, T6RST and T8RST registers, respectively. This source can control starting and stopping of the timer, as well as resetting the timer, depending on which mode the timer is in. The mode of the timer is controlled by the MODE<4:0> bits of the TMRxHLT register. Edge-Triggered modes require six Timer clock periods between external triggers. Level-Triggered modes require the triggering level to be at least three Timer clock periods long. External triggers are ignored while in Debug Freeze mode.

TABLE 23-1: TIMER2 OPERATING MODES

Mode	MODE<4:0>		Output Operation	Operation	Timer Control			
	<4:3>	<2:0>			Start	Reset	Stop	
Free Running Period	00	000	Period Pulse	Software gate (Figure 23-4)	ON = 1	—	ON = 0	
		001		Hardware gate, active-high (Figure 23-5)	ON = 1 and TMRx_ers = 1	—	ON = 0 or TMRx_ers = 0	
		010		Hardware gate, active-low	ON = 1 and TMRx_ers = 0	—	ON = 0 or TMRx_ers = 1	
		011	Period Pulse with Hardware Reset	Rising or falling edge Reset	ON = 1	TMRx_ers ↓	ON = 0	
		100		Rising edge Reset (Figure 23-6)		TMRx_ers ↑		
		101		Falling edge Reset		TMRx_ers ↓		
		110		Low level Reset		TMRx_ers = 0	ON = 0 or TMRx_ers = 0	
		111		High level Reset (Figure 23-7)		TMRx_ers = 1	ON = 0 or TMRx_ers = 1	
One-shot	01	000	One-shot	Software start (Figure 23-8)	ON = 1	—	ON = 0 or Next clock after TMRx = PRx (Note 2)	
		001	Edge triggered start (Note 1)	Rising edge start (Figure 23-9)	ON = 1 and TMRx_ers ↑	—		
		010		Falling edge start	ON = 1 and TMRx_ers ↓	—		
		011		Any edge start	ON = 1 and TMRx_ers ↓	—		
		100	Edge triggered start and hardware Reset (Note 1)	Rising edge start and Rising edge Reset (Figure 23-10)	ON = 1 and TMRx_ers ↑	TMRx_ers ↑		
		101		Falling edge start and Falling edge Reset	ON = 1 and TMRx_ers ↓	TMRx_ers ↓		
		110		Rising edge start and Low level Reset (Figure 23-11)	ON = 1 and TMRx_ers ↑	TMRx_ers = 0		
		111		Falling edge start and High level Reset	ON = 1 and TMRx_ers ↓	TMRx_ers = 1		
Mono-stable	10	000	Reserved					
		001	Edge triggered start (Note 1)	Rising edge start (Figure 23-12)	ON = 1 and TMRx_ers ↑	—	ON = 0 or Next clock after TMRx = PRx (Note 3)	
		010		Falling edge start	ON = 1 and TMRx_ers ↓	—		
		011		Any edge start	ON = 1 and TMRx_ers ↓	—		
		Reserved	100	Reserved				
		Reserved	101	Reserved				
		One-shot	11	110	Level triggered start and hardware Reset	High level start and Low level Reset (Figure 23-13)	ON = 1 and TMRx_ers = 1	TMRx_ers = 0
111	Low level start & High level Reset			ON = 1 and TMRx_ers = 0		TMRx_ers = 1		
Reserved	11	xxx	Reserved					

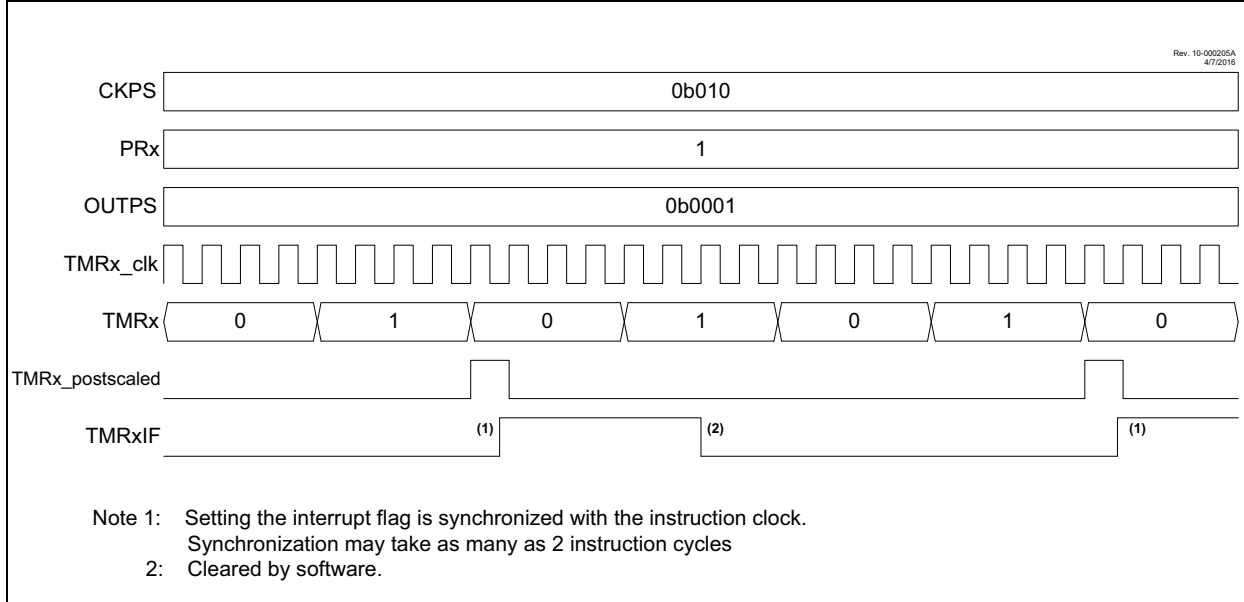
- Note 1:** If ON = 0 then an edge is required to restart the timer after ON = 1.
Note 2: When TMRx = PRx then the next clock clears ON and stops TMRx at 00h.
Note 3: When TMRx = PRx then the next clock stops TMRx at 00h but does not clear ON.

PIC16(L)F1777/8/9

23.5 Timer2 Interrupt

Timer2 can also generate a device interrupt. The interrupt is generated when the postscaler counter matches one of 16 postscale options (from 1:1 through 1:16), which are selected with the postscaler control bits, OUTPS<3:0> of the T2CON register. The interrupt is enabled by setting the TMR2IE interrupt enable bit of the PIE1 register. Interrupt timing is illustrated in Figure 23-3.

FIGURE 23-3: TIMER2 PRESCALER, POSTSCALER, AND INTERRUPT TIMING DIAGRAM



23.6 Operation Examples

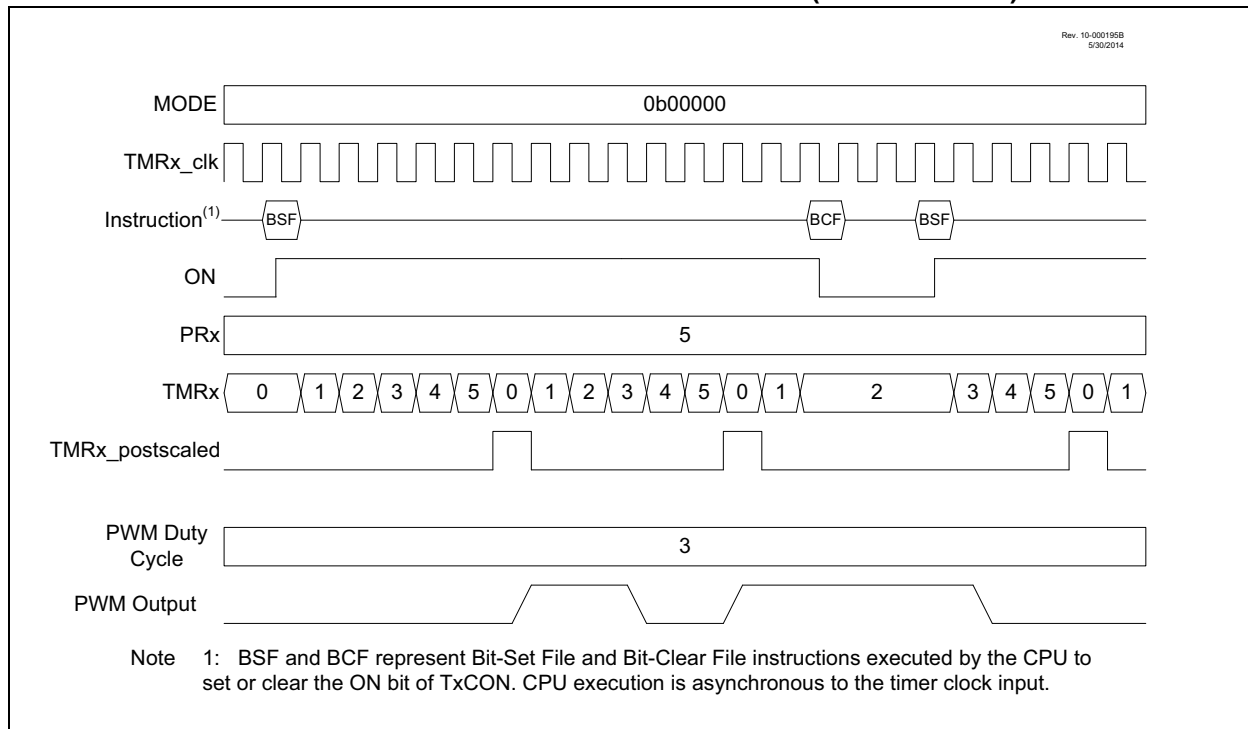
Unless otherwise specified, the following notes apply to the following timing diagrams:

- Both the prescaler and postscaler are set to 1:1 (both the CKPS and OUTPS bits in the TxCON register are cleared).
- The diagrams illustrate any clock except $F_{osc}/4$ and show clock-sync delays of at least two full cycles for both ON and Timer2_ers. When using $F_{osc}/4$, the clock-sync delay is at least one instruction period for Timer2_ers; ON applies in the next instruction period.
- The PWM Duty Cycle and PWM output are illustrated assuming that the timer is used for the PWM function of the CCP module as described in **Section 24.6 “CCP/PWM Clock Selection”**. The signals are not a part of the Timer2 module.

23.6.1 SOFTWARE GATE MODE

This mode corresponds to legacy Timer2 operation. The timer increments with each clock input when $ON = 1$ and does not increment when $ON = 0$. When the TMRx count equals the PRx period count the timer resets on the next clock and continues counting from 0. Operation with the ON bit software controlled is illustrated in [Figure 23-4](#). With $PRx = 5$, the counter advances until $TMRx = 5$, and goes to zero with the next clock.

FIGURE 23-4: SOFTWARE GATE MODE TIMING DIAGRAM (MODE = 00000)



PIC16(L)F1777/8/9

23.6.2 HARDWARE GATE MODE

The Hardware Gate modes operate the same as the Software Gate mode except the TMRx_ers external signal can also gate the timer. When used with the CCP the gating extends the PWM period. If the timer is stopped when the PWM output is high then the duty cycle is also extended.

When MODE<4:0> = 00001 then the timer is stopped when the external signal is high. When MODE<4:0> = 00010 then the timer is stopped when the external signal is low.

Figure 23-5 illustrates the Hardware Gating mode for MODE<4:0> = 00001 in which a high input level starts the counter.

FIGURE 23-5: HARDWARE GATE MODE TIMING DIAGRAM (MODE = 00001)



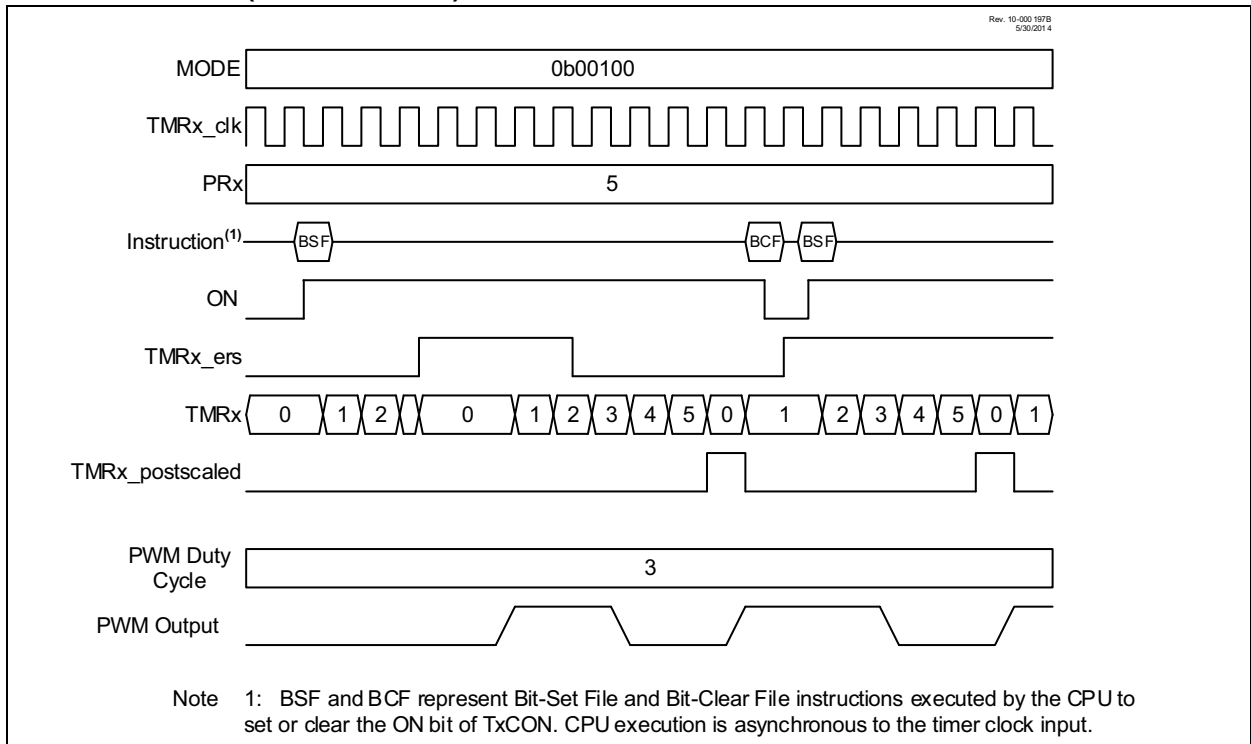
23.6.3 EDGE-TRIGGERED HARDWARE LIMIT MODE

In Hardware Limit mode the timer can be reset by the TMRx_ers external signal before the timer reaches the period count. Three types of Resets are possible:

- Reset on rising or falling edge (MODE<4:0> = 00011)
- Reset on rising edge (MODE<4:0> = 00100)
- Reset on falling edge (MODE<4:0> = 00101)

When the timer is used in conjunction with the CCP in PWM mode then an early Reset shortens the period and restarts the PWM pulse after a two clock delay. Refer to [Figure 23-6](#).

FIGURE 23-6: EDGE-TRIGGERED HARDWARE LIMIT MODE TIMING DIAGRAM (MODE = 00100)



PIC16(L)F1777/8/9

23.6.4 LEVEL-TRIGGERED HARDWARE LIMIT MODE

In the Level-Triggered Hardware Limit Timer modes the counter is reset by high or low levels of the external signal TMRx_ers, as shown in Figure 23-7. Selecting MODE<4:0> = 00110 will cause the timer to reset on a low level external signal. Selecting MODE<4:0> = 00111 will cause the timer to reset on a high level external signal. In the example, the counter is reset while TMRx_ers = 1. ON is controlled by BSF and BCF instructions. When ON = 0 the external signal is ignored.

When the CCP uses the timer as the PWM time base then the PWM output will be set high when the timer starts counting and then set low only when the timer count matches the CCPRx value. The timer is reset when either the timer count matches the PRx value or two clock periods after the external Reset signal goes true and stays true.

The timer starts counting, and the PWM output is set high, on either the clock following the PRx match or two clocks after the external Reset signal relinquishes the Reset. The PWM output will remain high until the timer counts up to match the CCPRx pulse width value. If the external Reset signal goes true while the PWM output is high then the PWM output will remain high until the Reset signal is released allowing the timer to count up to match the CCPRx value.

FIGURE 23-7: LEVEL-TRIGGERED HARDWARE LIMIT MODE TIMING DIAGRAM (MODE = 00111)

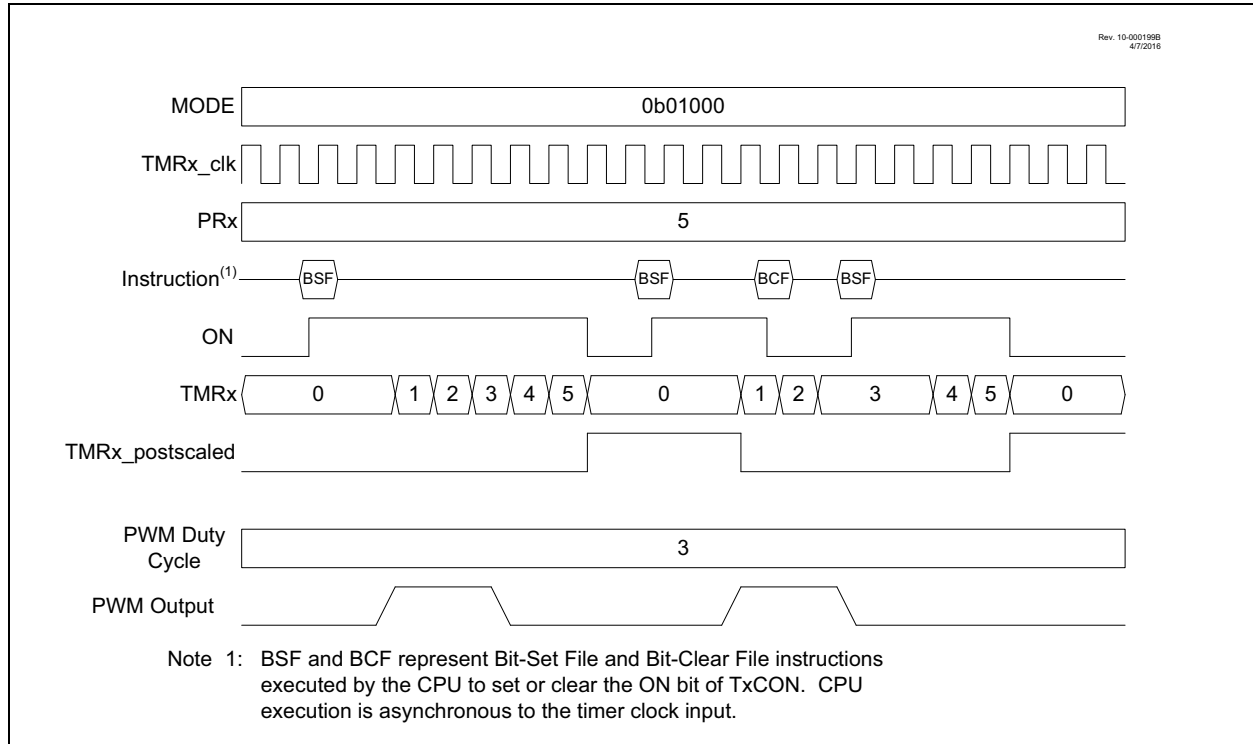


23.6.5 SOFTWARE START ONE-SHOT MODE

In One-Shot mode the timer resets and the ON bit is cleared when the timer value matches the PRx period value. The ON bit must be set by software to start another timer cycle. Setting MODE<4:0> = 01000 selects One-Shot mode which is illustrated in Figure 23-8. In the example, ON is controlled by BSF and BCF instructions. In the first case, a BSF instruction sets ON and the counter runs to completion and clears ON. In the second case, a BSF instruction starts the cycle, BCF/BSF instructions turn the counter off and on during the cycle, and then it runs to completion.

When One-Shot mode is used in conjunction with the CCP PWM operation the PWM pulse drive starts concurrent with setting the ON bit. Clearing the ON bit while the PWM drive is active will extend the PWM drive. The PWM drive will terminate when the timer value matches the CCPRx pulse width value. The PWM drive will remain off until software sets the ON bit to start another cycle. If software clears the ON bit after the CCPRx match but before the PRx match then the PWM drive will be extended by the length of time the ON bit remains cleared. Another timing cycle can only be initiated by setting the ON bit after it has been cleared by a PRx period count match.

FIGURE 23-8: SOFTWARE START ONE-SHOT MODE TIMING DIAGRAM (MODE = 01000)



PIC16(L)F1777/8/9

23.6.6 EDGE-TRIGGERED ONE-SHOT MODE

The Edge-Triggered One-Shot modes start the timer on an edge from the external signal input, after the ON bit is set, and clear the ON bit when the timer matches the PRx period value. The following edges will start the timer:

- Rising edge (MODE<4:0> = 01001)
- Falling edge (MODE<4:0> = 01010)
- Rising or Falling edge (MODE<4:0> = 01011)

If the timer is halted by clearing the ON bit then another TMRx_ers edge is required after the ON bit is set to resume counting. Figure 23-9 illustrates operation in the rising edge One-Shot mode.

When Edge-Triggered One-Shot mode is used in conjunction with the CCP then the edge-trigger will activate the PWM drive and the PWM drive will deactivate when the timer matches the CCPRx pulse width value and stay deactivated when the timer halts at the PRx period count match.

FIGURE 23-9: EDGE-TRIGGERED ONE-SHOT MODE TIMING DIAGRAM (MODE = 01001)



23.6.7 EDGE-TRIGGERED HARDWARE LIMIT ONE-SHOT MODE

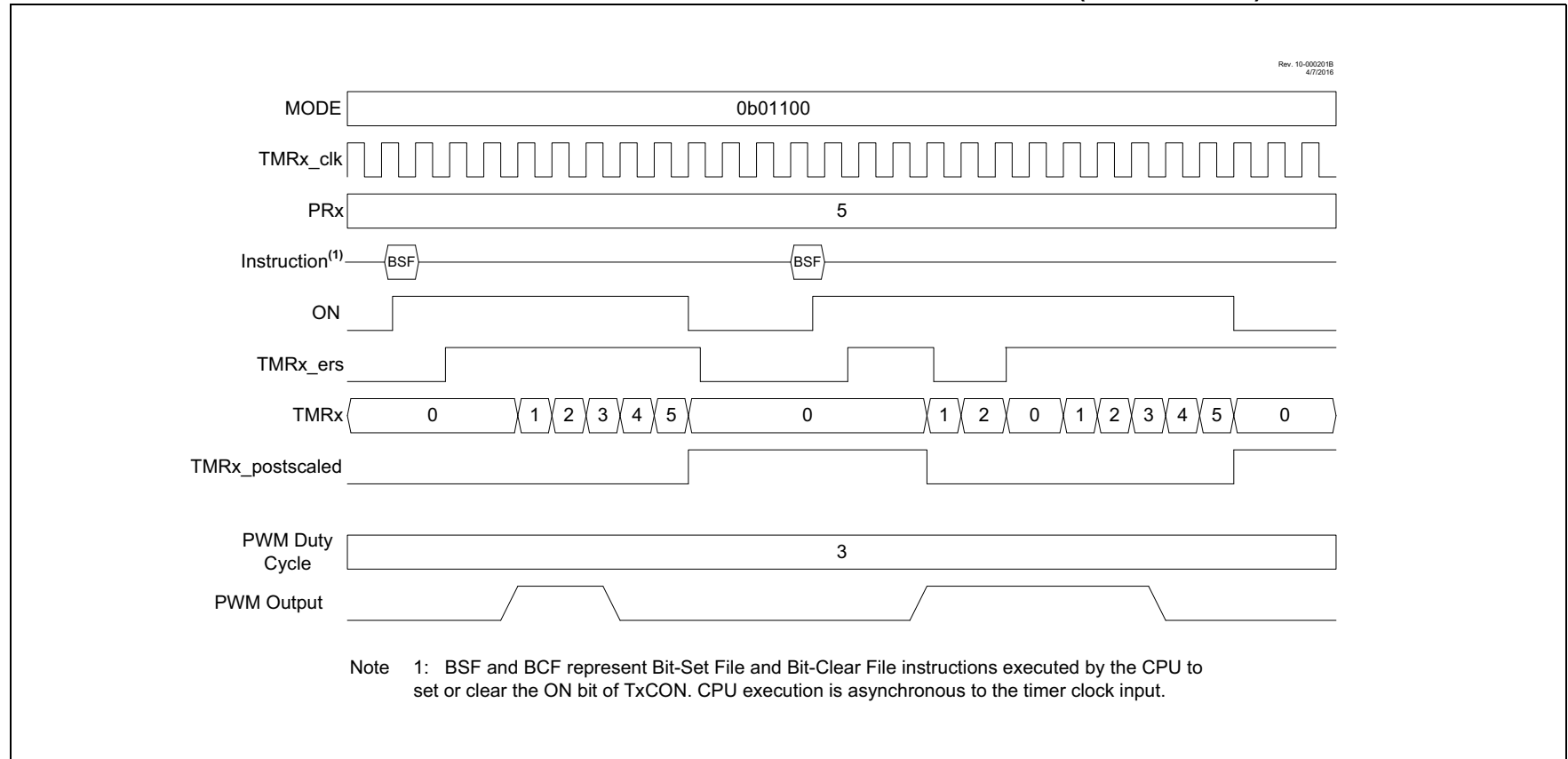
In Edge-Triggered Hardware Limit One-Shot modes the timer starts on the first external signal edge after the ON bit is set and resets on all subsequent edges. Only the first edge after the ON bit is set is needed to start the timer. The counter will resume counting automatically two clocks after all subsequent external Reset edges. Edge triggers are as follows:

- Rising edge start and Reset
(MODE<4:0> = 01100)
- Falling edge start and Reset
(MODE<4:0> = 01101)

The timer resets and clears the ON bit when the timer value matches the PRx period value. External signal edges will have no effect until after software sets the ON bit. [Figure 23-10](#) illustrates the rising edge hardware limit one-shot operation.

When this mode is used in conjunction with the CCP then the first starting edge trigger, and all subsequent Reset edges, will activate the PWM drive. The PWM drive will deactivate when the timer matches the CCPRx pulse-width value and stay deactivated until the timer halts at the PRx period match unless an external signal edge resets the timer before the match occurs.

FIGURE 23-10: EDGE-TRIGGERED HARDWARE LIMIT ONE-SHOT MODE TIMING DIAGRAM (MODE = 01100)



23.6.8 LEVEL RESET, EDGE-TRIGGERED HARDWARE LIMIT ONE-SHOT MODES

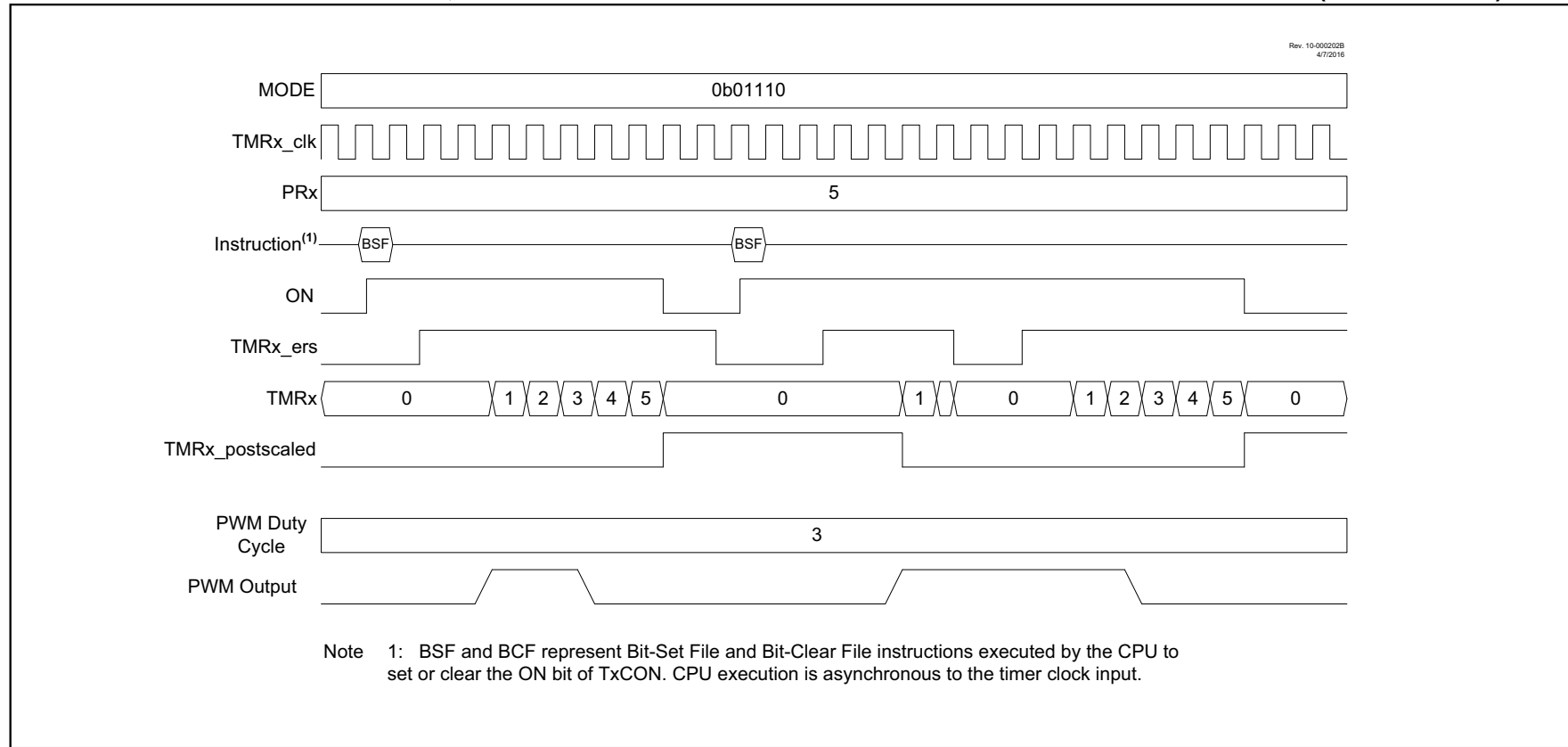
In Level -Triggered One-Shot mode the timer count is reset on the external signal level and starts counting on the rising/falling edge of the transition from Reset level to the active level while the ON bit is set. Reset levels are selected as follows:

- Low Reset level (MODE<4:0> = 01110)
- High Reset level (MODE<4:0> = 01111)

When the timer count matches the PRx period count, the timer is reset and the ON bit is cleared. When the ON bit is cleared by either a PRx match or by software control a new external signal edge is required after the ON bit is set to start the counter.

When Level-Triggered Reset One-Shot mode is used in conjunction with the CCP PWM operation the PWM drive goes active with the external signal edge that starts the timer. The PWM drive goes inactive when the timer count equals the CCPRx pulse width count. The PWM drive does not go active when the timer count clears at the PRx period count match.

FIGURE 23-11: LOW LEVEL RESET, EDGE-TRIGGERED HARDWARE LIMIT ONE-SHOT MODE TIMING DIAGRAM (MODE = 01110)



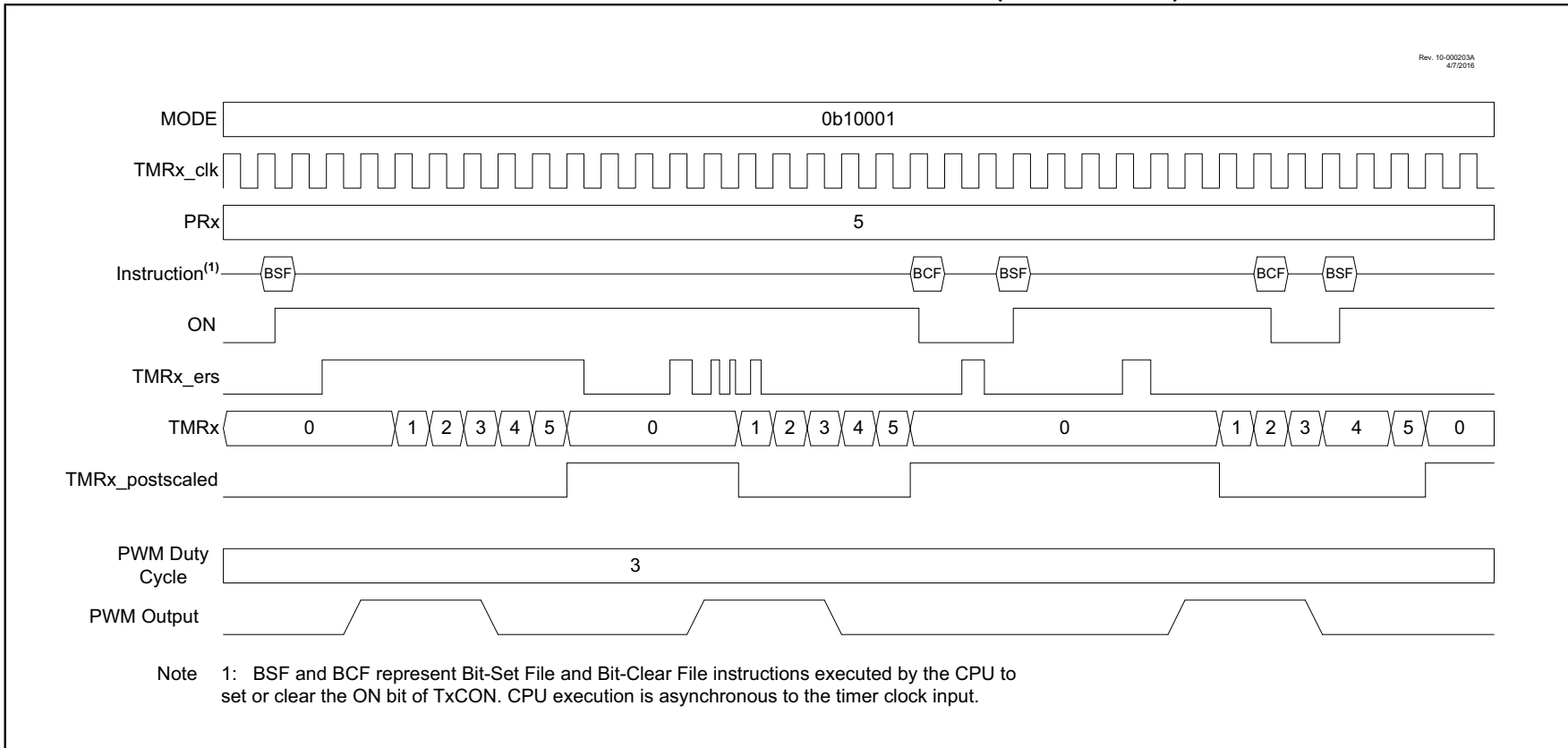
23.6.9 EDGE-TRIGGERED MONOSTABLE MODES

The Edge-Triggered Monostable modes start the timer on an edge from the external Reset signal input, after the ON bit is set, and stop incrementing the timer when the timer matches the PRx period value. The following edges will start the timer:

- Rising edge (MODE<4:0> = 10001)
- Falling edge (MODE<4:0> = 10010)
- Rising or Falling edge (MODE<4:0> = 10011)

When an Edge-Triggered Monostable mode is used in conjunction with the CCP PWM operation the PWM drive goes active with the external Reset signal edge that starts the timer, but will not go active when the timer matches the PRx value. While the timer is incrementing, additional edges on the external Reset signal will not affect the CCP PWM.

FIGURE 23-12: RISING EDGE-TRIGGERED MONOSTABLE MODE TIMING DIAGRAM (MODE = 10001)



23.6.10 LEVEL-TRIGGERED HARDWARE LIMIT ONE-SHOT MODES

The Level-Triggered Hardware Limit One-Shot modes hold the timer in Reset on an external Reset level and start counting when both the ON bit is set and the external signal is not at the Reset level. If one of either the external signal is not in Reset or the ON bit is set then the other signal being set/made active will start the timer. Reset levels are selected as follows:

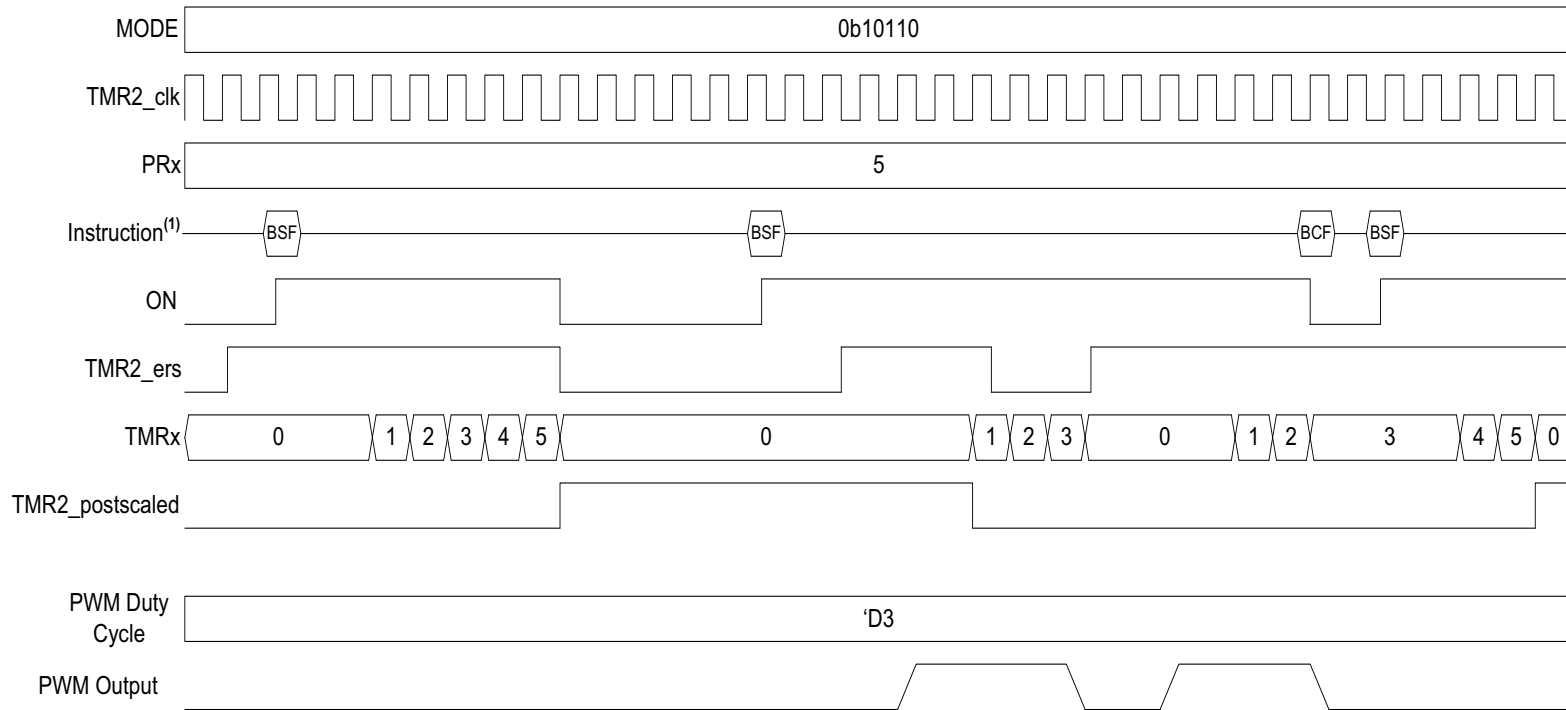
- Low Reset level (MODE<4:0> = 10110)
- High Reset level (MODE<4:0> = 10111)

When the timer count matches the PRx period count, the timer is reset and the ON bit is cleared. When the ON bit is cleared by either a PRx match or by software control the timer will stay in Reset until both the ON bit is set and the external signal is not at the Reset level.

When Level-Triggered Hardware Limit One-Shot modes are used in conjunction with the CCP PWM operation the PWM drive goes active with either the external signal edge or the setting of the ON bit, whichever of the two starts the timer.

FIGURE 23-13: LEVEL-TRIGGERED HARDWARE LIMIT ONE-SHOT MODE TIMING DIAGRAM (MODE = 10110)

Rev. 10-00204A
4/7/2016



Note 1: BSF and BCF represent Bit-Set File and Bit-Clear File instructions executed by the CPU to set or clear the ON bit of TxCON. CPU execution is asynchronous to the timer clock input.

23.7 PR2 Period Register

The PR2 period register (T2PR) is double-buffered. Software reads and writes the PR2 register. However, the timer uses a buffered PR2 register for operation. Software does not have direct access to the buffered PR2 register. The contents of the PR2 register are transferred to the buffer by any of the following events:

- A write to the TMR2 register
- A write to the TMR2CON register
- When TMR2 = PR2 buffer and the prescaler rolls over
- An external Reset event

23.8 Timer2 Operation During Sleep

When PSYNC = 1, Timer2 cannot be operated while the processor is in Sleep mode. The contents of the TMR2 and T2PR registers will remain unchanged while processor is in Sleep mode.

When PSYNC = 0, Timer2 will operate in Sleep as long as the clock source selected is also still running. Selecting the LFINTOSC, MFINTOSC, or HFINTOSC oscillator as the timer clock source will keep the selected oscillator running during Sleep.

PIC16(L)F1777/8/9

23.9 Register Definitions: Timer2/4/6/8 Control

Long bit name prefixes for the Timer2/4/6/8 peripherals are shown in [Table 23-2](#). Refer to [Section 1.1.2.2 “Long Bit Names”](#) for more information

TABLE 23-2:

Peripheral	Bit Name Prefix
Timer2	T2
Timer4	T4
Timer6	T6
Timer8	T8

REGISTER 23-1: TxCLKCON: TIMERx CLOCK SELECTION REGISTER

U-0	U-0	U-0	U-0	R/W-0/0	R/W-0/0	R/W-0/0	R/W-0/0
—	—	—	—	CS<3:0>			
bit 7				bit 0			

Legend:

R = Readable bit	W = Writable bit	U = Unimplemented bit, read as '0'
u = Bit is unchanged	x = Bit is unknown	-n/n = Value at POR and BOR/Value at all other Resets
'1' = Bit is set	'0' = Bit is cleared	

bit 7-4 **Unimplemented:** Read as '0'
bit 3-0 **CS<3:0>:** Timerx Clock Selection bits
See [Table 23-3](#).

TABLE 23-3: TIMERx CLOCK SOURCES

CS<3:0>	Timer2	Timer4	Timer6	Timer8
1100-1111	Reserved	Reserved	Reserved	Reserved
1011	LC4_out	LC4_out	LC4_out	LC4_out
1010	LC3_out	LC3_out	LC3_out	LC3_out
1001	LC2_out	LC2_out	LC2_out	LC2_out
1000	LC1_out	LC1_out	LC1_out	LC1_out
0111	ZCD_out	ZCD_out	ZCD_out	ZCD_out
0110	SOSC	SOSC	SOSC	SOSC
0101	MFINTOSC	MFINTOSC	MFINTOSC	MFINTOSC
0100	LFINTOSC	LFINTOSC	LFINTOSC	LFINTOSC
0011	HFINTOSC	HFINTOSC	HFINTOSC	HFINTOSC
0010	Fosc	Fosc	Fosc	Fosc
0001	Fosc/4	Fosc/4	Fosc/4	Fosc/4
0000	Pin selected by T2INPPS	Pin selected by T4INPPS	Pin selected by T6INPPS	Pin selected by T8INPPS

REGISTER 23-2: TxCON: TIMERx CONTROL REGISTER

R/W/HC-0/0	R/W-0/0	R/W-0/0	R/W-0/0	R/W-0/0	R/W-0/0	R/W-0/0	R/W-0/0
ON ⁽¹⁾	CKPS<2:0>			OUTPS<3:0>			
bit 7							bit 0

Legend:

R = Readable bit	W = Writable bit	U = Unimplemented bit, read as '0'
u = Bit is unchanged	x = Bit is unknown	-n/n = Value at POR and BOR/Value at all other Resets
'1' = Bit is set	'0' = Bit is cleared	HC = Bit is cleared by hardware

bit 7 **ON:** Timerx On bit
 1 = Timerx is on
 0 = Timerx is off: all counters and state machines are reset

bit 6-4 **CKPS<2:0>:** Timer2-type Clock Prescale Select bits
 111 = 1:128 Prescaler
 110 = 1:64 Prescaler
 101 = 1:32 Prescaler
 100 = 1:16 Prescaler
 011 = 1:8 Prescaler
 010 = 1:4 Prescaler
 001 = 1:2 Prescaler
 000 = 1:1 Prescaler

bit 3-0 **OUTPS<3:0>:** Timerx Output Postscaler Select bits
 1111 = 1:16 Postscaler
 1110 = 1:15 Postscaler
 1101 = 1:14 Postscaler
 1100 = 1:13 Postscaler
 1011 = 1:12 Postscaler
 1010 = 1:11 Postscaler
 1001 = 1:10 Postscaler
 1000 = 1:9 Postscaler
 0111 = 1:8 Postscaler
 0110 = 1:7 Postscaler
 0101 = 1:6 Postscaler
 0100 = 1:5 Postscaler
 0011 = 1:4 Postscaler
 0010 = 1:3 Postscaler
 0001 = 1:2 Postscaler
 0000 = 1:1 Postscaler

Note 1: In certain modes, the ON bit will be auto-cleared by hardware. See [Section 23.6 "Operation Examples"](#).

PIC16(L)F1777/8/9

REGISTER 23-3: TxHLT: TIMERx HARDWARE LIMIT CONTROL REGISTER

R/W-0/0	R/W-0/0	R/W-0/0	R/W-0/0	R/W-0/0	R/W-0/0	R/W-0/0	R/W-0/0
PSYNC ^(1, 2)	CKPOL ⁽³⁾	CKSYNC ^(4, 5)	MODE<4:0> ^(6, 7)				
bit 7							bit 0

Legend:

R = Readable bit	W = Writable bit	U = Unimplemented bit, read as '0'
u = Bit is unchanged	x = Bit is unknown	-n/n = Value at POR and BOR/Value at all other Resets
'1' = Bit is set	'0' = Bit is cleared	

- bit 7 **PSYNC:** Timerx Prescaler Synchronization Enable bit^(1, 2)
 1 = TMRx Prescaler Output is synchronized to Fosc/4
 0 = TMRx Prescaler Output is not synchronized to Fosc/4
- bit 6 **CKPOL:** Timerx Clock Polarity Selection bit⁽³⁾
 1 = Falling edge of input clock clocks timer/prescaler
 0 = Rising edge of input clock clocks timer/prescaler
- bit 5 **CKSYNC:** Timerx Clock Synchronization Enable bit^(4, 5)
 1 = ON register bit is synchronized to TMR2_clk input
 0 = ON register bit is not synchronized to TMR2_clk input
- bit 4-0 **MODE<4:0>:** Timerx Control Mode Selection bits^(6, 7)
 See [Table 23-1](#).

- Note 1:** Setting this bit ensures that reading TMRx will return a valid value.
- 2:** When this bit is '1', Timer2 cannot operate in Sleep mode.
- 3:** CKPOL should not be changed while ON = 1.
- 4:** Setting this bit ensures glitch-free operation when the ON is enabled or disabled.
- 5:** When this bit is set then the timer operation will be delayed by two TMRx input clocks after the ON bit is set.
- 6:** Unless otherwise indicated, all modes start upon ON = 1 and stop upon ON = 0 (stops occur without affecting the value of TMRx).
- 7:** When TMRx = PRx, the next clock clears TMRx, regardless of the operating mode.

REGISTER 23-4: TxRST: TIMERx EXTERNAL RESET SIGNAL SELECTION REGISTER

U-0	U-0	U-0	R/W-0/0	R/W-0/0	R/W-0/0	R/W-0/0	R/W-0/0	
—	—	—	RSEL<4:0>					
bit 7								bit 0

Legend:

R = Readable bit	W = Writable bit	U = Unimplemented bit, read as '0'
u = Bit is unchanged	x = Bit is unknown	-n/n = Value at POR and BOR/Value at all other Resets
'1' = Bit is set	'0' = Bit is cleared	

bit 7-5 **Unimplemented:** Read as '0'
bit 4-0 **RSEL<4:0>:** TimerX External Reset Signal Source Selection bits
See [Table 23-4](#).

TABLE 23-4: EXTERNAL RESET SOURCES

RSEL<4:0>	Timer2	Timer4	Timer6	Timer8
11111	Reserved	Reserved	Reserved	Reserved
11110	Reserved	Reserved	Reserved	Reserved
11101	LC4_out	LC4_out	LC4_out	LC4_out
11100	LC3_out	LC3_out	LC3_out	LC3_out
11011	LC2_out	LC2_out	LC2_out	LC2_out
11010	LC1_out	LC1_out	LC1_out	LC1_out
11001	ZCD_out	ZCD_out	ZCD_out	ZCD_out
11000 ⁽¹⁾	sync_C8OUT	sync_C8OUT	sync_C8OUT	sync_C8OUT
10111 ⁽¹⁾	sync_C7OUT	sync_C7OUT	sync_C7OUT	sync_C7OUT
10110	sync_C6OUT	sync_C6OUT	sync_C6OUT	sync_C6OUT
10101	sync_C5OUT	sync_C5OUT	sync_C5OUT	sync_C5OUT
10100	sync_C4OUT	sync_C4OUT	sync_C4OUT	sync_C4OUT
10011	sync_C3OUT	sync_C3OUT	sync_C3OUT	sync_C3OUT
10010	sync_C2OUT	sync_C2OUT	sync_C2OUT	sync_C2OUT
10001	sync_C1OUT	sync_C1OUT	sync_C1OUT	sync_C1OUT
10000 ⁽¹⁾	PWM12_out	PWM12_out	PWM12_out	PWM12_out
01111	PWM11_out	PWM11_out	PWM11_out	PWM11_out
01110	PWM6_out	PWM6_out	PWM6_out	PWM6_out
01101	PWM5_out	PWM5_out	PWM5_out	PWM5_out
01100 ⁽¹⁾	PWM10_out	PWM10_out	PWM10_out	PWM10_out
01011	PWM9_out	PWM9_out	PWM9_out	PWM9_out
01010	PWM4_out	PWM4_out	PWM4_out	PWM4_out
01001	PWM3_out	PWM3_out	PWM3_out	PWM3_out
01000 ⁽¹⁾	CCP8_out	CCP8_out	CCP8_out	CCP8_out
00111	CCP7_out	CCP7_out	CCP7_out	CCP7_out
00110	CCP2_out	CCP2_out	CCP2_out	CCP2_out
00101	CCP1_out	CCP1_out	CCP1_out	CCP1_out
00100	TMR8_postscaled	TMR8_postscaled	TMR8_postscaled	Reserved
00011	TMR6_postscaled	TMR6_postscaled	Reserved	TMR6_postscaled
00010	TMR4_postscaled	Reserved	TMR4_postscaled	TMR4_postscaled
00001	Reserved	TMR2_postscaled	TMR2_postscaled	TMR2_postscaled
00000	Pin selected by T2INPPS	Pin selected by T4INPPS	Pin selected by T6INPPS	Pin selected by T6INPPS

Note 1: PIC16LF1777/9 only.

PIC16(L)F1777/8/9

TABLE 23-5: SUMMARY OF REGISTERS ASSOCIATED WITH TIMER2

Name	Bit 7	Bit 6	Bit 5	Bit 4	Bit 3	Bit 2	Bit 1	Bit 0	Register on Page
CCP1CON	EN	—	OUT	FMT	MODE<3:0>				319
CCP2CON	EN	—	OUT	FMT	MODE<3:0>				319
CCP7CON	EN	—	OUT	FMT	MODE<3:0>				319
CCP8CON ⁽¹⁾	EN	—	OUT	FMT	MODE<3:0>				319
INTCON	GIE	PEIE	TMR0IE	INTE	IOCIE	TMR0IF	INTF	IOCIF	132
PIE1	TMR1GIE	ADIE	RCIE	TXIE	SSP1IE	CCP1IE	TMR2IE	TMR1IE	133
PIR1	TMR1GIF	ADIF	RCIF	TXIF	SSP1IF	CCP1IF	TMR2IF	TMR1IF	139
T2PR	Timer2 Module Period Register								287*
TMR2	Holding Register for the 8-bit TMR2 Register								287*
T2CON	ON	CKPS<2:0>			OUTPS<3:0>				307
T2CLKCON	—	—	—	—	CS<3:0>				306
T2RST	—	—	—	RSEL<4:0>				309	
T2HLT	PSYNC	CKPOL	CKSYNC	MODE<4:0>				308	
T4PR	Timer4 Module Period Register								287*
TMR4	Holding Register for the 8-bit TMR4 Register								287*
T4CON	ON	CKPS<2:0>			OUTPS<3:0>				307
T4CLKCON	—	—	—	—	CS<3:0>				306
T4RST	—	—	—	RSEL<4:0>				309	
T4HLT	PSYNC	CKPOL	CKSYNC	MODE<4:0>				308	
T6PR	Timer6 Module Period Register								287*
TMR6	Holding Register for the 8-bit TMR6 Register								287*
T6CON	ON	CKPS<2:0>			OUTPS<3:0>				307
T6CLKCON	—	—	—	—	CS<3:0>				306
T6RST	—	—	—	RSEL<4:0>				309	
T6HLT	PSYNC	CKPOL	CKSYNC	MODE<4:0>				308	
T8PR	Timer6 Module Period Register								287*
TMR8	Holding Register for the 8-bit TMR6 Register								287*
T8CON	ON	CKPS<2:0>			OUTPS<3:0>				307
T8CLKCON	—	—	—	—	CS<3:0>				306
T8RST	—	—	—	RSEL<4:0>				309	
T8HLT	PSYNC	CKPOL	CKSYNC	MODE<4:0>				308	

Legend: — = unimplemented location, read as '0'. Shaded cells are not used for Timer2 module.

* Page provides register information.

Note 1: PIC16LF1777/9 only.

24.0 CAPTURE/COMPARE/PWM MODULES

The Capture/Compare/PWM module is a peripheral which allows the user to time and control different events, and to generate Pulse-Width Modulation (PWM) signals. In Capture mode, the peripheral allows the timing of the duration of an event. The Compare mode allows the user to trigger an external event when a predetermined amount of time has expired. The PWM mode can generate Pulse-Width Modulated signals of varying frequency and duty cycle.

TABLE 24-1: AVAILABLE CCP MODULES

Device	CCP1	CCP2	CCP7	CCP8
PIC16(L)F1778	•	•	•	
PIC16(L)F1777/9	•	•	•	•

Note 1: In devices with more than one CCP module, it is very important to pay close attention to the register names used. A number placed after the module acronym is used to distinguish between separate modules. For example, the CCP1CON and CCP2CON control the same operational aspects of two completely different CCP modules.

2: Throughout this section, generic references to a CCP module in any of its operating modes may be interpreted as being equally applicable to a CCPx module. Register names, module signals, I/O pins, and bit names may use the generic designator 'x' to indicate the use of a numeral to distinguish a particular module, when required.

24.1 Capture Mode

The Capture mode function described in this section is available and identical for all CCP modules.

Capture mode makes use of the 16-bit Timer1 resource. When an event occurs on the CCPx input, the 16-bit CCPRxH:CCPRxL register pair captures and stores the 16-bit value of the TMR1H:TMR1L register pair, respectively. An event is defined as one of the following and is configured by the MODE<3:0> bits of the CCPxCON register:

- Every edge (rising or falling)
- Every falling edge
- Every rising edge
- Every 4th rising edge
- Every 16th rising edge

The CCPx capture input signal is configured by the CTS bits of the CCPxCAP register with the following options:

- CCPx pin
- Comparator 1 output (C1_OUT_sync)
- Comparator 2 output (C2_OUT_sync)
- Comparator 7 output (C7_OUT_sync)
- Comparator 8 output (C8_OUT_sync) (PIC16(L)F1777/9 only)
- LC2_output
- LC3_output
- Interrupt-on-change interrupt trigger (IOC_interrupt)

When a capture is made, the Interrupt Request Flag bit CCPxIF of the PIRx register is set. The interrupt flag must be cleared in software. If another capture occurs before the value in the CCPRxH:CCPRxL register pair is read, the old captured value is overwritten by the new captured value.

Figure 24-1 shows a simplified diagram of the capture operation.

24.1.1 CCP PIN CONFIGURATION

In Capture mode, select the interrupt source using the CTS bits of the CCPxCAP register. If the CCPx pin is chosen, it should be configured as an input by setting the associated TRIS control bit.

Note: If the CCPx pin is configured as an output, a write to the port can cause a capture condition.

PIC16(L)F1777/8/9

FIGURE 24-1: CAPTURE MODE OPERATION BLOCK DIAGRAM



24.1.2 TIMER1 MODE RESOURCE

Timer1 must be running in Timer mode or Synchronized Counter mode for the CCP module to use the capture feature. In Asynchronous Counter mode, the capture operation may not work.

See [Section 22.0 “Timer1/3/5 Module with Gate Control”](#) for more information on configuring Timer1.

24.1.3 SOFTWARE INTERRUPT MODE

When the Capture mode is changed, a false capture interrupt may be generated. The user should keep the CCPxIE interrupt enable bit of the PIEx register clear to avoid false interrupts. Additionally, the user should clear the CCPxIF interrupt flag bit of the PIRx register following any change in operating mode.

Note: Clocking Timer1 from the system clock (Fosc) should not be used in Capture mode. In order for Capture mode to recognize the trigger event on the CCPx pin, Timer1 must be clocked from the instruction clock (Fosc/4) or from an external clock source.

24.1.4 CCP PRESCALER

There are four prescaler settings specified by the MODE<3:0> bits of the CCPxCON register. Whenever the CCP module is turned off, or the CCP module is not in Capture mode, the prescaler counter is cleared. Any Reset will clear the prescaler counter.

Switching from one capture prescaler to another does not clear the prescaler and may generate a false interrupt. To avoid this unexpected operation, turn the module off by clearing the EN bit of the CCPxCON register before changing the prescaler.

24.1.5 CAPTURE DURING SLEEP

Capture mode depends upon the Timer1 module for proper operation. There are two options for driving the Timer1 module in Capture mode. It can be driven by the instruction clock (Fosc/4), or by an external clock source.

When Timer1 is clocked by Fosc/4, Timer1 will not increment during Sleep. When the device wakes from Sleep, Timer1 will continue from its previous state.

Capture mode will operate during Sleep when Timer1 is clocked by an external clock source.

24.1.6 ALTERNATE PIN LOCATIONS

This module incorporates I/O pins that can be moved to other locations with the use of the PPS controls. See [Section 12.0 “Peripheral Pin Select \(PPS\) Module”](#) for more details.

24.1.7 CAPTURE OUTPUT

Whenever a capture occurs, the output of the CCP will go high for a period equal to one system clock period (1/Fosc). This output is available as an input signal to the following peripherals:

- ADC Trigger
- COG
- PRG
- DSM
- CLC
- Op Amp override
- Timer2/4/6/8 Reset
- Any device pins

In addition, the CCP output can be output to any pin with that pin's PPS control.

24.2 Compare Mode

The Compare mode function described in this section is available and identical for all CCP modules.

Compare mode makes use of the 16-bit Timer1 resource. The 16-bit value of the CCPRxH:CCPRxL register pair is constantly compared against the 16-bit value of the TMR1H:TMR1L register pair. When a match occurs, one of the following events can occur:

- Toggle the CCPx output
- Set the CCPx output
- Clear the CCPx output
- Pulse the CCPx output
- Generate a Software Interrupt
- Auto-conversion Trigger

The action on the pin is based on the value of the MODE<3:0> control bits of the CCPxCON register. At the same time, the interrupt flag CCPxIF bit is set.

All Compare modes can generate an interrupt.

Figure 24-2 shows a simplified diagram of the compare operation.

24.2.1 AUTO-CONVERSION TRIGGER

When Auto-Conversion Trigger mode is chosen (CCPxM<3:0> = 1011), the CCPx module does the following:

- Resets Timer1
- Starts an ADC conversion if ADC is enabled

The CCPx module does not assert control of the CCPx pin in this mode.

The Auto-conversion Trigger output of the CCP occurs immediately upon a match between the TMR1H, TMR1L register pair and the CCPRxH:CCPRxL

register pair. The TMR1H:TMR1L register pair is not reset until the next rising edge of the Timer1 clock. The Auto-conversion Trigger output starts an ADC conversion (if the ADC module is enabled). This allows the CCPRxH:CCPRxL register pair to effectively provide a 16-bit programmable period register for Timer1.

Refer to [Section 16.2.5 “Auto-Conversion Trigger”](#) for more information.

Note 1: The Auto-conversion Trigger from the CCP module does not set interrupt flag bit TMR1IF of the PIR1 register.

2: Removing the match condition by changing the contents of the CCPRxH and CCPRxL register pair, between the clock edge that generates the Auto-conversion Trigger and the clock edge that generates the Timer1 Reset, will preclude the Reset from occurring.

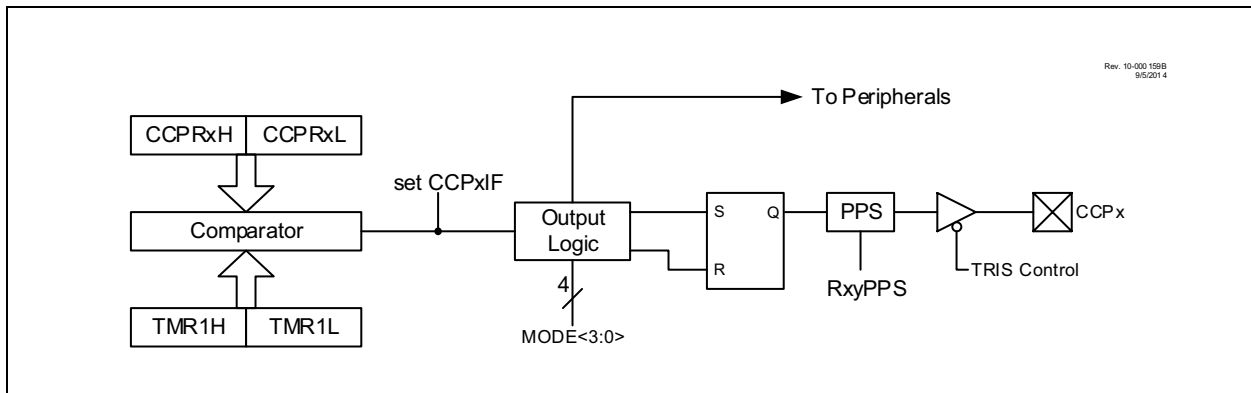
24.2.2 CCPx PIN CONFIGURATION

The user must configure the CCPx pin as an output by clearing the associated TRIS bit.

The CCPx pin function can be moved to alternate pins using the PPS controls. See [Section 12.0 “Peripheral Pin Select \(PPS\) Module”](#) for more detail.

Note: Clearing the CCPxCON register will force the CCPx compare output latch to the default low level. This is not the PORT I/O data latch.

FIGURE 24-2: COMPARE MODE OPERATION BLOCK DIAGRAM



PIC16(L)F1777/8/9

24.2.3 TIMER1 MODE RESOURCE

In Compare mode, Timer1 must be running in either Timer mode or Synchronized Counter mode. The compare operation may not work in Asynchronous Counter mode.

See [Section 22.0 “Timer1/3/5 Module with Gate Control”](#) for more information on configuring Timer1.

Note: Clocking Timer1 from the system clock (FOSC) should not be used in Compare mode. In order for Compare mode to recognize the trigger event on the CCPx pin, Timer1 must be clocked from the instruction clock (FOSC/4) or from an external clock source.

24.2.4 SOFTWARE INTERRUPT MODE

When Generate Software Interrupt mode is chosen (MODE<3:0> = 1010), the CCPx module does not assert control of the CCPx pin (see the CCPxCON register).

24.2.5 COMPARE DURING SLEEP

The Compare mode is dependent upon the system clock (FOSC) for proper operation. Since FOSC is shut down during Sleep mode, the Compare mode will not function properly during Sleep.

24.2.6 ALTERNATE PIN LOCATIONS

This module incorporates I/O pins that can be moved to other locations with the use of the PPS controls. See [Section 12.0 “Peripheral Pin Select \(PPS\) Module”](#) for more detail.

24.2.7 CAPTURE OUTPUT

When in Compare mode, the CCP will provide an output upon the 16-bit value of the CCPRxH:CCPRxL register pair, matching the TMR1H:TMR1L register pair. The compare output depends on which Compare mode the CCP is configured as. If the MODE bits of CCPxCON register are equal to ‘1011’ or ‘1010’, the CCP module will output high, while TMR1 is equal to the CCPRxH:CCPRxL register pair. This means that the pulse width is determined by the TMR1 prescaler. If the MODE bits of CCPxCON are equal to ‘0001’ or ‘0010’, the output will toggle upon a match, going from ‘0’ to ‘1’ or vice-versa. If the MODE bits of CCPxCON are equal to ‘1001’, the output is cleared on a match, and if the MODE bits are equal to ‘1000’, the output is set on a match. This output is available to the following peripherals:

- ADC Trigger
- COG
- PRG
- DSM
- CLC
- Op Amp override
- Timer2/4/6/8 Reset
- Any device pins

24.3 PWM Overview

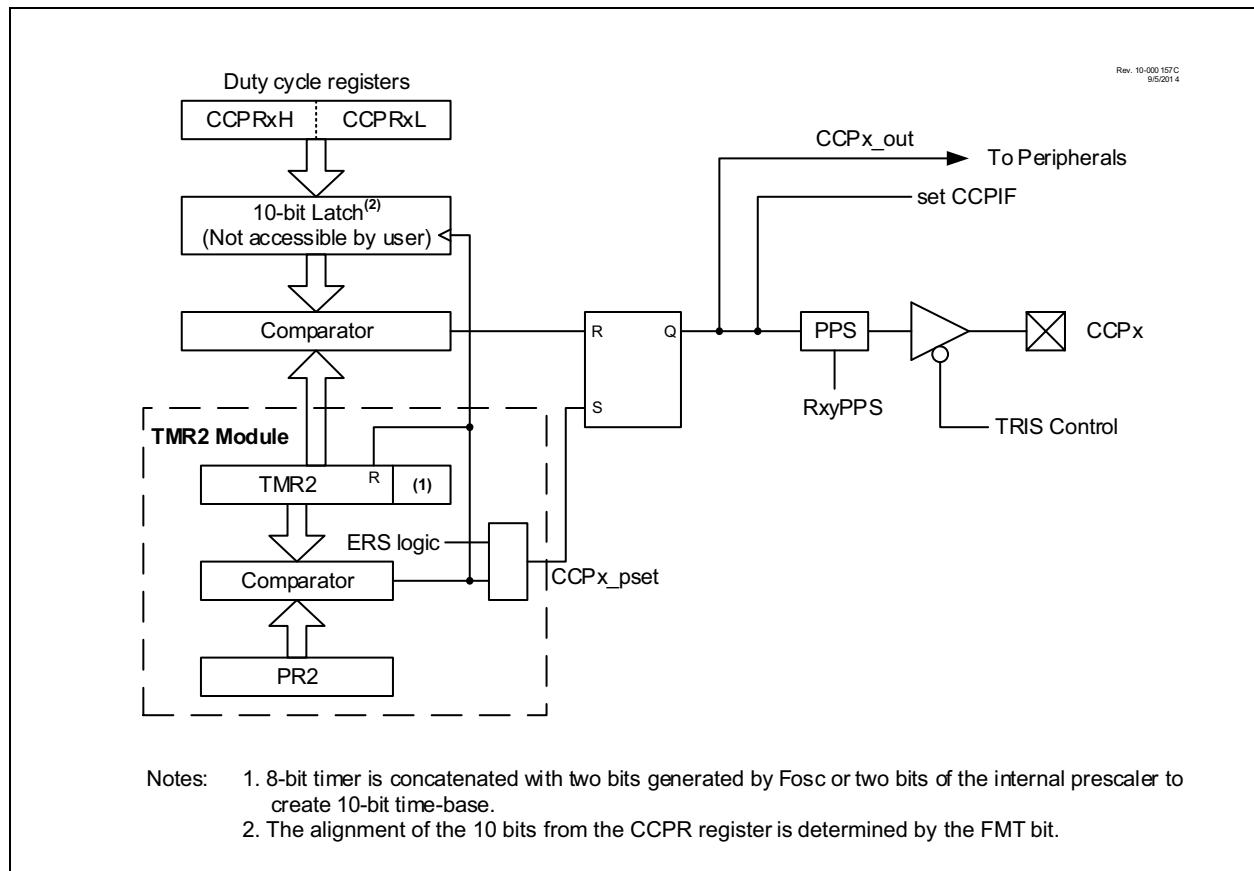
Pulse-Width Modulation (PWM) is a scheme that provides power to a load by switching quickly between fully on and fully off states. The PWM signal resembles a square wave where the high portion of the signal is considered the on state and the low portion of the signal is considered the off state. The high portion, also known as the pulse width, can vary in time and is defined in steps. A larger number of steps applied, which lengthens the pulse width, also supplies more power to the load. Lowering the number of steps applied, which shortens the pulse width, supplies less power. The PWM period is defined as the duration of one complete cycle or the total amount of on and off time combined.

PWM resolution defines the maximum number of steps that can be present in a single PWM period. A higher resolution allows for more precise control of the pulse width time and in turn the power that is applied to the load.

The term duty cycle describes the proportion of the on time to the off time and is expressed in percentages, where 0% is fully off and 100% is fully on. A lower duty cycle corresponds to less power applied and a higher duty cycle corresponds to more power applied.

Figure 24-3 shows a typical waveform of the PWM signal.

FIGURE 24-3: SIMPLIFIED PWM BLOCK DIAGRAM



PIC16(L)F1777/8/9

24.3.1 STANDARD PWM OPERATION

The standard PWM function described in this section is available and identical for all CCP modules.

The standard PWM mode generates a Pulse-Width Modulation (PWM) signal on the CCPx pin with up to ten bits of resolution. The period, duty cycle, and resolution are controlled by the following registers:

- T2PR/T4PR/T6PR/T8PR registers
- T2CON/T4CON/T6CON/T8CON registers
- CCPRxH:CCPRxL register pair

Figure 24-3 shows a simplified block diagram of PWM operation.

Note 1: The corresponding TRIS bit must be cleared to enable the PWM output on the CCPx pin.

2: Clearing the CCPxCON register will relinquish control of the CCPx pin.

24.3.2 SETUP FOR PWM OPERATION

The following steps should be taken when configuring the CCP module for standard PWM operation:

1. Disable the CCPx pin output driver by setting the associated TRIS bit.
2. Select the timer associated with the PWM by setting the CCPTMRS register.
3. Load the associated T2PR/T4PR/T6PR/T8PR register with the PWM period value.
4. Configure the CCP module for the PWM mode by loading the CCPxCON register with the appropriate values.
5. Load the CCPRxH:CCPRxL register pair with the PWM duty cycle value.
6. Configure and start the timer selected in step 2:
 - Clear the timer interrupt flag bit of the PIRx register. See Note below.
 - Configure the CKPS bits of the TxCON register with the Timer prescale value.
 - Enable the Timer by setting the ON bit of the TxCON register.
7. Enable PWM output pin:
 - Wait until the Timer overflows and the timer interrupt bit of the PIRx register is set. See Note below.
 - Enable the CCPx pin output driver by clearing the associated TRIS bit.

Note: In order to send a complete duty cycle and period on the first PWM output, the above steps must be included in the setup sequence. If it is not critical to start with a complete PWM signal on the first output, then step 6 may be ignored.

24.4 CCP/PWM Clock Selection

The PIC16(L)F1777/8/9 allows each individual CCP and PWM module to select the timer source that controls the module. Each module has an independent selection.

As there are up to four 8-bit timers with auto-reload (Timer2/4/6/8). The PWM mode on the CCP and PWM modules can use any of these timers.

The CCPTMRS register is used to select which timer is used.

24.4.1 USING THE TMR2/4/6/8 WITH THE CCP MODULE

This device has a new version of the TMR2 module that has many new modes, which allow for greater customization and control of the PWM signals than older parts. Refer to [Section 23.6 “Operation Examples”](#) for examples of PWM signal generation using the different modes of Timer2. The CCP operation requires that the timer used as the PWM time base has the FOSC/4 clock source selected.

24.4.2 PWM PERIOD

The PWM period is specified by the T2PR/T4PR/T6PR/T8PR register of Timer2/4/6/8. The PWM period can be calculated using the formula of [Equation 24-1](#).

EQUATION 24-1: PWM PERIOD

$$PWM\ Period = [(PR2) + 1] \cdot 4 \cdot T_{osc} \cdot (TMR2\ Prescale\ Value)$$

Note 1: $T_{osc} = 1/F_{osc}$

When TMR2/4/6/8 is equal to its respective T2PR/T4PR/T6PR/T8PR register, the following three events occur on the next increment cycle:

- TMR2/4/6/8 is cleared
- The CCPx pin is set. (Exception: If the PWM duty cycle = 0%, the pin will not be set.)
- The PWM duty cycle is latched from the CCPRxH:CCPRxL pair into the internal 10-bit latch.

Note: The Timer postscaler (see [Figure 24-1](#)) is not used in the determination of the PWM frequency.

24.4.3 PWM DUTY CYCLE

The PWM duty cycle is specified by writing a 10-bit value to two registers: the CCPRxH:CCPRxL register pair. Where the particular bits go is determined by the FMT bit of the CCPxCON register. If FMT = 0, the two Most Significant bits of the duty cycle value should be written to bits <1:0> of the CCPRxH register and the remaining

eight bits to the CCPRxL register. If FMT = 1, the Least Significant two bits of the duty cycle should be written to bits <7:6> of the CCPRxL register and the Most Significant eight bits to the CCPRxH register. This is illustrated in [Figure 24-4](#). These bits can be written at any time. The duty cycle value is not latched into the internal latch until after the period completes (i.e., a match between T2PR/T4PR/T6PR/T8PR and TMR2/4/6/8 registers occurs).

[Equation 24-2](#) is used to calculate the PWM pulse width. [Equation 24-3](#) is used to calculate the PWM duty cycle ratio.

EQUATION 24-2: PULSE WIDTH

$$Pulse\ Width = CCPRxH:CCPRxL \cdot T_{osc} \cdot (TMR2\ Prescale\ Value)$$

EQUATION 24-3: DUTY CYCLE RATIO

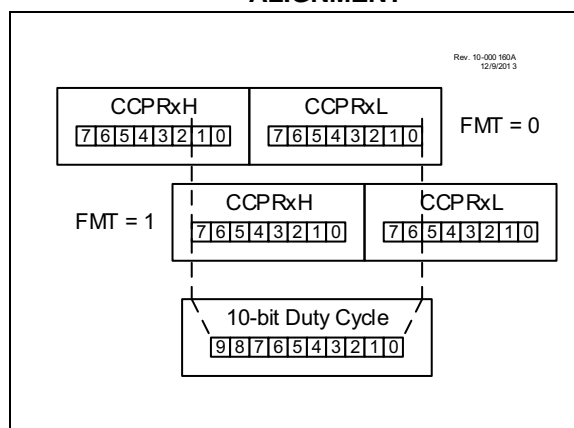
$$Duty\ Cycle\ Ratio = \frac{CCPRxH:CCPRxL}{4(PR_x + 1)}$$

The PWM duty cycle registers are double buffered for glitchless PWM operation.

The 8-bit timer TMR2/4/6/8 register is concatenated with either the 2-bit internal system clock (FOSC), or two bits of the prescaler, to create the 10-bit time base. The system clock is used if the Timer2/4/6/8 prescaler is set to 1:1.

When the 10-bit time base matches the internal buffer register, then the CCPx pin is cleared (see [Figure 24-3](#)).

FIGURE 24-4: CCPx DUTY CYCLE ALIGNMENT



PIC16(L)F1777/8/9

24.4.4 PWM RESOLUTION

The resolution determines the number of available duty cycles for a given period. For example, a 10-bit resolution will result in 1024 discrete duty cycles, whereas an 8-bit resolution will result in 256 discrete duty cycles.

The maximum PWM resolution is ten bits when T2PR/T4PR/T6PR/T8PR is 255. The resolution is a function of the T2PR/T4PR/T6PR/T8PR register value as shown by [Equation 24-4](#).

EQUATION 24-4: PWM RESOLUTION

$$Resolution = \frac{\log[4(PR2 + 1)]}{\log(2)} \text{ bits}$$

Note: If the pulse-width value is greater than the period, the assigned PWM pin(s) will remain unchanged.

TABLE 24-2: EXAMPLE PWM FREQUENCIES AND RESOLUTIONS (Fosc = 20 MHz)

PWM Frequency	1.22 kHz	4.88 kHz	19.53 kHz	78.12 kHz	156.3 kHz	208.3 kHz
Timer Prescale	16	4	1	1	1	1
T2PR Value	0xFF	0xFF	0xFF	0x3F	0x1F	0x17
Maximum Resolution (bits)	10	10	10	8	7	6

TABLE 24-3: EXAMPLE PWM FREQUENCIES AND RESOLUTIONS (Fosc = 8 MHz)

PWM Frequency	1.22 kHz	4.90 kHz	19.61 kHz	76.92 kHz	153.85 kHz	200.0 kHz
Timer Prescale	16	4	1	1	1	1
T2PR Value	0x65	0x65	0x65	0x19	0x0C	0x09
Maximum Resolution (bits)	8	8	8	6	5	5

24.4.5 CHANGES IN SYSTEM CLOCK FREQUENCY

The PWM frequency is derived from the system clock frequency. Any changes in the system clock frequency will result in changes to the PWM frequency. See [Section 5.0 “Oscillator Module \(with Fail-Safe Clock Monitor\)”](#) for additional details.

24.4.6 EFFECTS OF RESET

Any Reset will force all ports to Input mode and the CCP registers to their Reset states.

24.4.7 PWM OUTPUT

The output of the CCP in PWM mode is the PWM signal generated by the module and described above. This output is available to the following peripherals:

- ADC Trigger
- COG
- PRG
- DSM
- CLC
- Op Amp override
- Timer2/4/6/8 Reset
- Any device pins

24.5 Register Definitions: CCP Control

REGISTER 24-1: CCPxCON: CCPx CONTROL REGISTER

R/W-0/0	U-0	R-x	R/W-0/0	R/W-0/0	R/W-0/0	R/W-0/0	R/W-0/0
EN	—	OUT	FMT	MODE<3:0>			
bit 7							bit 0

Legend:

R = Readable bit	W = Writable bit	U = Unimplemented bit, read as '0'
u = Bit is unchanged	x = Bit is unknown	-n/n = Value at POR and BOR/Value at all other Reset
'1' = Bit is set	'0' = Bit is cleared	

bit 7	<p>EN: CCPx Module Enable bit</p> <p>1 = CCPx is enabled</p> <p>0 = CCPx is disabled</p>
bit 6	<p>Unimplemented: Read as '0'</p>
bit 5	<p>OUT: CCPx Output Data bit (read-only)</p>
bit 4	<p>FMT: CCPW (Pulse-Width) Alignment bit</p> <p><u>If MODE = PWM Mode</u></p> <p>1 = Left-aligned format, CCPRxH <7> is the MSB of the PWM duty cycle</p> <p>0 = Right-aligned format, CCPRxL <0> is the LSB of the PWM duty cycle</p>
bit 3-0	<p>MODE<3:0>: CCPx Mode Selection bits</p> <p>11xx = PWM mode</p> <p>1011 = Compare mode: Pulse output, clear TMR1</p> <p>1010 = Compare mode: Pulse output (0 - 1 - 0)</p> <p>1001 = Compare mode: clear output on compare match. Output is set upon selection of this mode.</p> <p>1000 = Compare mode: set output on compare match. Output is set upon selection of this mode.</p> <p>0111 = Capture mode: every 16th rising edge</p> <p>0110 = Capture mode: every 4th rising edge</p> <p>0101 = Capture mode: every rising edge</p> <p>0100 = Capture mode: every falling edge</p> <p>0011 = Capture mode: every rising or falling edge</p> <p>0010 = Compare mode: toggle output on match</p> <p>0001 = Compare mode: Toggle output and clear TMR1 on match</p> <p>0000 = Capture/Compare/PWM off (resets CCPx module) (reserved for backwards compatibility)</p>

PIC16(L)F1777/8/9

REGISTER 24-2: CCPRxL: CCPx LOW BYTE REGISTER

R/W-0/0	R/W-0/0	R/W-0/0	R/W-0/0	R/W-0/0	R/W-0/0	R/W-0/0	R/W-0/0
CCPR<7:0>							
bit 7							bit 0

Legend:

R = Readable bit	W = Writable bit	U = Unimplemented bit, read as '0'
u = Bit is unchanged	x = Bit is unknown	-n/n = Value at POR and BOR/Value at all other Reset
'1' = Bit is set	'0' = Bit is cleared	

bit 7-0 MODE = Capture Mode
CCPRxL<7:0>: LSB of captured TMR1 value
MODE = Compare Mode
CCPRxL<7:0>: LSB compared to TMR1 value
MODE = PWM Mode && FMT = 0
CCPRxL<7:0>: CCPW<7:0> – Pulse width Least Significant eight bits
MODE = PWM Mode && FMT = 1
CCPRxL<7:6>: CCPW<1:0> – Pulse width Least Significant two bits
CCPRxL<5:0>: Not used

REGISTER 24-3: CCPRxH: CCPx HIGH BYTE REGISTER

R/W-0/0	R/W-0/0	R/W-0/0	R/W-0/0	R/W-0/0	R/W-0/0	R/W-0/0	R/W-0/0
CCPR<15:8>							
bit 7							bit 0

Legend:

R = Readable bit	W = Writable bit	U = Unimplemented bit, read as '0'
u = Bit is unchanged	x = Bit is unknown	-n/n = Value at POR and BOR/Value at all other Reset
'1' = Bit is set	'0' = Bit is cleared	

bit 7-0 MODE = Capture Mode
CCPRxH<7:0>: MSB of captured TMR1 value
MODE = Compare Mode
CCPRxH<7:0>: MSB compared to TMR1 value
MODE = PWM Mode && FMT = 0
CCPRxH<7:2>: Not used
CCPRxH<1:0>: CCPW<9:8> – Pulse width Most Significant two bits
MODE = PWM Mode && FMT = 1
CCPRxH<7:0>: CCPW<9:2> – Pulse width Most Significant eight bits

REGISTER 24-4: CCPxCAP: CCPx CAPTURE INPUT SELECTION REGISTER

U-0	U-0	U-0	U-0	R/W-0/0	R/W-0/0	R/W-0/0	R/W-0/0
—	—	—	—	CTS<3:0>			
bit 7							bit 0

Legend:

R = Readable bit	W = Writable bit	U = Unimplemented bit, read as '0'
u = Bit is unchanged	x = Bit is unknown	-n/n = Value at POR and BOR/Value at all other Reset
'1' = Bit is set	'0' = Bit is cleared	

bit 7-4	Unimplemented: Read as '0'
bit 3-0	CTS<3:0>: Capture Trigger Input Selection bits
	1101 = IOC_event
	1100 = LC4_output
	1011 = LC3_output
	1010 = LC2_output
	1001 = LC1_output
	1000 = C8_sync_out ⁽¹⁾
	0111 = C7_sync_out ⁽¹⁾
	0110 = C6_sync_out
	0101 = C5_sync_out
	0100 = C4_sync_out
	0011 = C3_sync_out
	0010 = C2_sync_out
	0001 = C1_sync_out
	0000 = Pin selected with the CCPxPPS register

Note 1: PIC16LF1777/9 only.

PIC16(L)F1777/8/9

24.6 CCP/PWM Clock Selection

This device allows each individual CCP and PWM module to select the timer source that controls the module. Each module has an independent selection.

As there are four 8-bit timers with auto-reload (Timer2, Timer4, Timer6 and Timer8). The PWM mode on the CCP and 10-bit PWM modules can use any of these timers.

The CCPTMRS register is used to select which timer is used.

24.7 Register Definitions: CCP/PWM Timers Control

REGISTER 24-5: CCPTMRS1: PWM TIMER SELECTION CONTROL REGISTER 1

R/W-0/0	R/W-0/0	R/W-0/0	R/W-0/0	R/W-0/0	R/W-0/0	R/W-0/0	R/W-0/0
C8TSEL<1:0> ⁽¹⁾		C7TSEL<1:0>		C2TSEL<1:0>		C1TSEL<1:0>	
bit 7							bit 0

Legend:

R = Readable bit

W = Writable bit

U = Unimplemented bit, read as '0'

u = Bit is unchanged

x = Bit is unknown

-n/n = Value at POR and BOR/Value at all other Resets

'1' = Bit is set

'0' = Bit is cleared

bit 7-6 **C8TSEL<1:0>**: CCP8 (PWM8) Timer Selection bits⁽¹⁾

- 11 = CCP8 is based off Timer8 in PWM mode
- 10 = CCP8 is based off Timer6 in PWM mode
- 01 = CCP8 is based off Timer4 in PWM mode
- 00 = CCP8 is based off Timer2 in PWM mode

bit 5-4 **C7TSEL<1:0>**: CCP7 (PWM7) Timer Selection bits

- 11 = CCP7 is based off Timer8 in PWM mode
- 10 = CCP7 is based off Timer6 in PWM mode
- 01 = CCP7 is based off Timer4 in PWM mode
- 00 = CCP7 is based off Timer2 in PWM mode

bit 3-2 **C2TSEL<1:0>**: CCP2 (PWM2) Timer Selection bits

- 11 = CCP2 is based off Timer8 in PWM mode
- 10 = CCP2 is based off Timer6 in PWM mode
- 01 = CCP2 is based off Timer4 in PWM mode
- 00 = CCP2 is based off Timer2 in PWM mode

bit 1-0 **C1TSEL<1:0>**: CCP1 (PWM1) Timer Selection bits

- 11 = CCP1 is based off Timer8 in PWM mode
- 10 = CCP1 is based off Timer6 in PWM mode
- 01 = CCP1 is based off Timer4 in PWM mode
- 00 = CCP1 is based off Timer2 in PWM mode

Note 1: PIC16(L)F1777/9 only.

REGISTER 24-6: CCPTMRS2: PWM TIMER SELECTION CONTROL REGISTER 2

R/W-0/0	R/W-0/0	R/W-0/0	R/W-0/0	R/W-0/0	R/W-0/0	R/W-0/0	R/W-0/0
P10TSEL<1:0> ⁽¹⁾		P9TSEL<1:0>		P4TSEL<1:0>		P3TSEL<1:0>	
bit 7							bit 0

Legend:

R = Readable bit	W = Writable bit	U = Unimplemented bit, read as '0'
u = Bit is unchanged	x = Bit is unknown	-n/n = Value at POR and BOR/Value at all other Resets
'1' = Bit is set	'0' = Bit is cleared	

- bit 7-6 **P10TSEL<1:0>**: PWM10 Timer Selection bits⁽¹⁾
 11 = PWM10 is based off Timer8 in PWM mode
 10 = PWM10 is based off Timer6 in PWM mode
 01 = PWM10 is based off Timer4 in PWM mode
 00 = PWM10 is based off Timer2 in PWM mode
- bit 5-4 **P9TSEL<1:0>**: PWM9 Timer Selection bits
 11 = PWM9 is based off Timer8 in PWM mode
 10 = PWM9 is based off Timer6 in PWM mode
 01 = PWM9 is based off Timer4 in PWM mode
 00 = PWM9 is based off Timer2 in PWM mode
- bit 3-2 **P4TSEL<1:0>**: PWM4 Timer Selection bits
 11 = PWM4 is based off Timer8 in PWM mode
 10 = PWM4 is based off Timer6 in PWM mode
 01 = PWM4 is based off Timer4 in PWM mode
 00 = PWM4 is based off Timer2 in PWM mode
- bit 1-0 **P3TSEL<1:0>**: PWM3 Timer Selection bits
 11 = PWM3 is based off Timer8 in PWM mode
 10 = PWM3 is based off Timer6 in PWM mode
 01 = PWM3 is based off Timer4 in PWM mode
 00 = PWM3 is based off Timer2 in PWM mode

Note 1: PIC16(L)F1777/9 only.

PIC16(L)F1777/8/9

TABLE 24-4: SUMMARY OF REGISTERS ASSOCIATED WITH STANDARD PWM

Name	Bit 7	Bit 6	Bit 5	Bit 4	Bit 3	Bit 2	Bit 1	Bit 0	Register on Page
CCPxCAP	—	—	—	—	CTS<3:0>				321
CCPxCON	EN	—	OUT	FMT	MODE<3:0>				319
CCPRxL	Capture/Compare/PWM Register x (LSB)								320
CCPRxH	Capture/Compare/PWM Register x (MSB)								320
CCPTMRS1	C8TSEL<1:0> ⁽¹⁾		C7TSEL<1:0>		C2TSEL<1:0>		C1TSEL<1:0>		323
CCPTMRS2	P10TSEL<1:0> ⁽¹⁾		P9TSEL<1:0>		P4TSEL<1:0>		P3TSEL<1:0>		323
INTCON	GIE	PEIE	TMR0IE	INTE	IOCIE	TMR0IF	INTF	IOCIF	132
PIE1	TMR1GIE	ADIE	RCIE	TXIE	SSP1IE	CCP1IE	TMR2IE	TMR1IE	133
PIE2	OSFIE	C2IE	C1IE	COG1IE	BCL1IE	C4IE	C3IE	CCP2IE	134
PIE5	CCP8IE ⁽¹⁾	CCP7IE	COG4IE ⁽¹⁾	COG3IE	C8IE ⁽¹⁾	C7IE ⁽¹⁾	C6IE	C5IE	137
PIR1	TMR1GIF	ADIF	RCIF	TXIF	SSP1IF	CCP1IF	TMR2IF	TMR1IF	139
PIR2	OSFIF	C2IF	C1IF	COG1IF	BCL1IF	C4IF	C3IF	CCP2IF	140
PIR5	CCP8IF ⁽¹⁾	CCP7IF	COG4IF ⁽¹⁾	COG3IF	C8IF ⁽¹⁾	C7IF ⁽¹⁾	C6IF	C5IF	143
T2PR	Timer2 Period Register								287*
T2CON	ON	CKPS<2:0>			OUTPS<3:0>				307
TMR2	Timer2 Module Register								287
T4PR	Timer4 Period Register								287*
T4CON	ON	CKPS<2:0>			OUTPS<3:0>				307
TMR4	Timer4 Module Register								287
T6PR	Timer6 Period Register								287*
T6CON	ON	CKPS<2:0>			OUTPS<3:0>				307
TMR6	Timer6 Module Register								287
T8PR	Timer8 Period Register								287*
T8CON	ON	CKPS<2:0>			OUTPS<3:0>				307
TMR8	Timer8 Module Register								287

Legend: — = Unimplemented location, read as '0'. Shaded cells are not used by the PWM.

* Page provides register information.

Note 1: PIC16(L)F1777/9 only.

25.0 10-BIT PULSE-WIDTH MODULATION (PWM) MODULE

The 10-bit PWM module generates a Pulse-Width Modulated signal determined by the duty cycle, period, and resolution that are configured by the following registers:

- T2PR
- T2CON
- PWMxDCH
- PWMxDCL
- PWMxCON

Figure 25-1 shows a simplified block diagram of PWM operation.

Figure 25-2 shows a typical waveform of the PWM signal.

TABLE 25-1: AVAILABLE 10-BIT PWM MODULES

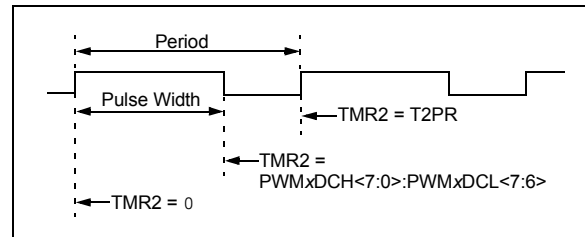
Device	PWM3	PWM4	PWM9	PWM10
PIC16(L)F1778	•	•	•	
PIC16(L)F1777/9	•	•	•	•

FIGURE 25-1: SIMPLIFIED PWM BLOCK DIAGRAM



For a step-by-step procedure on how to set up this module for PWM operation, refer to [Section 25.1.9 "Setup for PWM Operation using PWMx Output Pins"](#).

FIGURE 25-2: PWM OUTPUT



PIC16(L)F1777/8/9

25.1 PWMx Pin Configuration

All PWM outputs are multiplexed with the PORT data latch. The user must configure the pins as outputs by clearing the associated TRIS bits.

25.1.1 FUNDAMENTAL OPERATION

The PWM module produces a 10-bit resolution output. Timer2 and T2PR set the period of the PWM. The PWMxDCL and PWMxDCH registers configure the duty cycle. The period is common to all PWM modules, whereas the duty cycle is independently controlled.

Note: The Timer2 postscaler is not used in the determination of the PWM frequency. The postscaler could be used to have a servo update rate at a different frequency than the PWM output.

All PWM outputs associated with Timer2 are set when TMR2 is cleared. Each PWMx is cleared when TMR2 is equal to the value specified in the corresponding PWMxDCH (8 MSb) and PWMxDCL<7:6> (2 LSb) registers. When the value is greater than or equal to T2PR, the PWM output is never cleared (100% duty cycle).

Note: The PWMxDCH and PWMxDCL registers are double buffered. The buffers are updated when Timer2 matches T2PR. Care should be taken to update both registers before the timer match occurs.

25.1.2 PWM OUTPUT POLARITY

The output polarity is inverted by setting the PWMxPOL bit of the PWMxCON register.

25.1.3 PWM PERIOD

The PWM period is specified by the T2PR register of Timer2. The PWM period can be calculated using the formula of [Equation 25-1](#).

EQUATION 25-1: PWM PERIOD

$$PWM\ Period = [T2PR + 1] \cdot 4 \cdot TOSC \cdot (TMR2\ Prescale\ Value)$$

Note: $TOSC = 1/FOSC$

When TMR2 is equal to T2PR, the following three events occur on the next increment cycle:

- TMR2 is cleared
- The PWM output is active. (Exception: When the PWM duty cycle = 0%, the PWM output will remain inactive.)
- The PWMxDCH and PWMxDCL register values are latched into the buffers.

Note: The Timer2 postscaler has no effect on the PWM operation.

25.1.4 PWM DUTY CYCLE

The PWM duty cycle is specified by writing a 10-bit value to the PWMxDCH and PWMxDCL register pair. The PWMxDCH register contains the eight MSBs and the PWMxDCL<7:6>, the two LSbs. The PWMxDCH and PWMxDCL registers can be written to at any time.

[Equation 25-2](#) is used to calculate the PWM pulse width.

[Equation 25-3](#) is used to calculate the PWM duty cycle ratio.

EQUATION 25-2: PULSE WIDTH

$$Pulse\ Width = (PWMxDCH:PWMxDCL<7:6>) \cdot TOSC \cdot (TMR2\ Prescale\ Value)$$

Note: $TOSC = 1/FOSC$

EQUATION 25-3: DUTY CYCLE RATIO

$$Duty\ Cycle\ Ratio = \frac{(PWMxDCH:PWMxDCL<7:6>)}{4(T2PR + 1)}$$

The 8-bit timer TMR2 register is concatenated with the two Least Significant bits of $1/FOSC$, adjusted by the Timer2 prescaler to create the 10-bit time base. The system clock is used if the Timer2 prescaler is set to 1:1.

25.1.5 PWM RESOLUTION

The resolution determines the number of available duty cycles for a given period. For example, a 10-bit resolution will result in 1024 discrete duty cycles, whereas an 8-bit resolution will result in 256 discrete duty cycles.

The maximum PWM resolution is ten bits when T2PR is 255. The resolution is a function of the T2PR register value as shown by [Equation 25-4](#).

EQUATION 25-4: PWM RESOLUTION

$$Resolution = \frac{\log[4(T2PR + 1)]}{\log(2)} \text{ bits}$$

Note: If the pulse-width value is greater than the period the assigned PWM pin(s) will remain unchanged.

TABLE 25-2: EXAMPLE PWM FREQUENCIES AND RESOLUTIONS (Fosc = 20 MHz)

PWM Frequency	0.31 kHz	4.88 kHz	19.53 kHz	78.12 kHz	156.3 kHz	208.3 kHz
Timer Prescale	64	4	1	1	1	1
T2PR Value	0xFF	0xFF	0xFF	0x3F	0x1F	0x17
Maximum Resolution (bits)	10	10	10	8	7	6.6

TABLE 25-3: EXAMPLE PWM FREQUENCIES AND RESOLUTIONS (Fosc = 8 MHz)

PWM Frequency	0.31 kHz	4.90 kHz	19.61 kHz	76.92 kHz	153.85 kHz	200.0 kHz
Timer Prescale	64	4	1	1	1	1
T2PR Value	0x65	0x65	0x65	0x19	0x0C	0x09
Maximum Resolution (bits)	8	8	8	6	5	5

25.1.6 OPERATION IN SLEEP MODE

In Sleep mode, the TMR2 register will not increment and the state of the module will not change. If the PWMx pin is driving a value, it will continue to drive that value. When the device wakes up, TMR2 will continue from its previous state.

25.1.7 CHANGES IN SYSTEM CLOCK FREQUENCY

The PWM frequency is derived from the system clock frequency (Fosc). Any changes in the system clock frequency will result in changes to the PWM frequency. Refer to [Section 5.0 “Oscillator Module \(with Fail-Safe Clock Monitor\)”](#) for additional details.

25.1.8 EFFECTS OF RESET

Any Reset will force all ports to Input mode and the PWM registers to their Reset states.

PIC16(L)F1777/8/9

25.1.9 SETUP FOR PWM OPERATION USING PWMx OUTPUT PINS

The following steps should be taken when configuring the module for PWM operation using the PWMx output pins:

1. Disable the PWMx pin output driver(s) by setting the associated TRIS bit(s).
2. Clear the PWMxCON register.
3. Load the T2PR register with the PWM period value.
4. Load the PWMxDCH register and bits <7:6> of the PWMxDCL register with the PWM duty cycle value.
5. Configure and start Timer2:
 - Clear the TMR2IF interrupt flag bit of the PIR1 register. See Note below.
 - Configure the CKPS bits of the T2CON register with the Timer2 prescale value.
 - Enable Timer2 by setting the ON bit of the T2CON register.
6. Enable PWM output pin and wait until Timer2 overflows, TMR2IF bit of the PIR1 register is set. See Note below.
7. Enable the PWMx pin output driver(s) by clearing the associated TRIS bit(s) and setting the desired pin PPS control bits.
8. Configure the PWM module by loading the PWMxCON register with the appropriate values.

Note 1: In order to send a complete duty cycle and period on the first PWM output, the above steps must be followed in the order given. If it is not critical to start with a complete PWM signal, then move Step 8 to replace Step 4.

2: For operation with other peripherals only, disable PWMx pin outputs.

25.1.10 SETUP FOR PWM OPERATION TO OTHER DEVICE PERIPHERALS

The following steps should be taken when configuring the module for PWM operation to be used by other device peripherals:

1. Disable the PWMx pin output driver(s) by setting the associated TRIS bit(s).
2. Clear the PWMxCON register.
3. Load the T2PR register with the PWM period value.
4. Load the PWMxDCH register and bits <7:6> of the PWMxDCL register with the PWM duty cycle value.
5. Configure and start Timer2:
 - Clear the TMR2IF interrupt flag bit of the PIR1 register. See Note below.
 - Configure the CKPS bits of the T2CON register with the Timer2 prescale value.
 - Enable Timer2 by setting the ON bit of the T2CON register.
6. Enable PWM output pin:
 - Wait until Timer2 overflows, TMR2IF bit of the PIR1 register is set. See Note below.
7. Configure the PWM module by loading the PWMxCON register with the appropriate values.

Note: In order to send a complete duty cycle and period on the first PWM output, the above steps must be included in the setup sequence. If it is not critical to start with a complete PWM signal on the first output, then step 6 may be ignored.

25.2 Register Definitions: 10-Bit PWM Control

Long bit name prefixes for the DSM peripherals are shown in [Table 25-4](#). Refer to [Section 1.1.2.2 “Long Bit Names”](#) for more information

TABLE 25-4:

Peripheral	Bit Name Prefix
PWM3	PWM3
PWM4	PWM4
PWM9	PWM9
PWM10 ⁽¹⁾	PWM10

Note 1: PIC16(L)F1777/9 only.

REGISTER 25-1: PWMxCON: PWM CONTROL REGISTER

R/W-0/0	U-0	R-0/0	R/W-0/0	U-0	U-0	U-0	U-0
EN	—	OUT	POL	—	—	—	—
bit 7							bit 0

Legend:

R = Readable bit

W = Writable bit

U = Unimplemented bit, read as '0'

u = Bit is unchanged

x = Bit is unknown

-n/n = Value at POR and BOR/Value at all other Resets

'1' = Bit is set

'0' = Bit is cleared

- bit 7 **EN:** PWM Module Enable bit
1 = PWM module is enabled
0 = PWM module is disabled
- bit 6 **Unimplemented:** Read as '0'
- bit 5 **OUT:** PWM module output level when bit is read.
- bit 4 **POL:** PWMx Output Polarity Select bit
1 = PWM output is active-low
0 = PWM output is active-high
- bit 3-0 **Unimplemented:** Read as '0'

PIC16(L)F1777/8/9

REGISTER 25-2: PWMxDCH: PWM DUTY CYCLE HIGH BITS

R/W-x/u	R/W-x/u	R/W-x/u	R/W-x/u	R/W-x/u	R/W-x/u	R/W-x/u	R/W-x/u
DC<9:2>							
bit 7							bit 0

Legend:

R = Readable bit	W = Writable bit	U = Unimplemented bit, read as '0'
u = Bit is unchanged	x = Bit is unknown	-n/n = Value at POR and BOR/Value at all other Resets
'1' = Bit is set	'0' = Bit is cleared	

bit 7-0 **DC<9:2>**: PWM Duty Cycle Most Significant bits
 These bits are the MSBs of the PWM duty cycle. The two LSBs are found in the PWMxDCL Register.

REGISTER 25-3: PWMxDCL: PWM DUTY CYCLE LOW BITS

R/W-x/u	R/W-x/u	U-0	U-0	U-0	U-0	U-0	U-0
DC<1:0>		—	—	—	—	—	—
bit 7							bit 0

Legend:

R = Readable bit	W = Writable bit	U = Unimplemented bit, read as '0'
u = Bit is unchanged	x = Bit is unknown	-n/n = Value at POR and BOR/Value at all other Resets
'1' = Bit is set	'0' = Bit is cleared	

bit 7-6 **DC<1:0>**: PWM Duty Cycle Least Significant bits
 These bits are the LSBs of the PWM duty cycle. The MSBs are found in the PWMxDCH Register.

bit 5-0 **Unimplemented**: Read as '0'

TABLE 25-5: SUMMARY OF REGISTERS ASSOCIATED WITH 10-BIT PWM

Name	Bit 7	Bit 6	Bit 5	Bit 4	Bit 3	Bit 2	Bit 1	Bit 0	Register on Page
CCPTMRS2	P10TSEL<1:0> ⁽¹⁾		P9TSEL<1:0>		P4TSEL<1:0>		P3TSEL<1:0>		323
PWM3CON	EN	—	OUT	POL	—	—	—	—	329
PWM3DCH	DC<9:2>								330
PWM3DCL	DC<1:0>		—	—	—	—	—	—	330
PWM4CON	EN	—	OUT	POL	—	—	—	—	329
PWM4DCH	DC<9:2>								330
PWM4DCL	DC<1:0>		—	—	—	—	—	—	330
PWM9CON	EN	—	OUT	POL	—	—	—	—	329
PWM9DCH	DC<9:2>								330
PWM9DCL	DC<1:0>		—	—	—	—	—	—	330
PWM10CON ⁽¹⁾	EN	—	OUT	POL	—	—	—	—	329
PWM10DCH ⁽¹⁾	DC<9:2>								330
PWM10DCL ⁽¹⁾	DC<1:0>		—	—	—	—	—	—	330
RxyPPS	—	—	RxyPPS<5:0>						205
TxCON	ON	CKPS<2:0>			OUTPS<3:0>				307
TxCLKCON	—	—	—	—	CS<3:0>				306
TxPR	TMRx Period Register								287
TRISA	TRISA7	TRISA6	TRISA5	TRISA4	TRISA3	TRISA2	TRISA1	TRISA0	176
TRISB	TRISB7	TRISB6	TRISB5	TRISB4	TRISB3	TRISB2	TRISB1	TRISB0	181
TRISC	TRISC7	TRISC6	TRISC5	TRISC4	TRISC3	TRISC2	TRISC1	TRISC0	186

Legend: — = Unimplemented locations, read as '0', u = unchanged, x = unknown. Shaded cells are not used by the PWM.

Note 1: PIC16LF1777/9 only.

PIC16(L)F1777/8/9

26.0 16-BIT PULSE-WIDTH MODULATION (PWM) MODULE

The Pulse-Width Modulation (PWM) module generates a pulse-width modulated signal determined by the phase, duty cycle, period, and offset event counts that are contained in the following registers:

- PWMxPH register
- PWMxDC register
- PWMxPR register
- PWMxOF register

Figure 26-1 shows a simplified block diagram of the PWM operation. Each PWM module has four modes of operation:

- Standard
- Set On Match
- Toggle On Match
- Center Aligned

For a more detailed description of each PWM mode, refer to [Section 26.2 “PWM Modes”](#).

Each PWM module has four offset modes:

- Independent Run
- Slave Run with Synchronous Start
- One-Shot Slave with Synchronous Start
- Continuous Run Slave with Synchronous Start and Timer Reset

Using the offset modes, each PWM module can offset its waveform relative to any other PWM module in the same device. For a more detailed description of the offset modes refer to [Section 26.3 “Offset Modes”](#).

Every PWM module has a configurable reload operation to ensure all event count buffers change at the end of a period, thereby avoiding signal glitches. Figure 26-2 shows a simplified block diagram of the reload operation. For a more detailed description of the reload operation, refer to [Section 26.4 “Reload Operation”](#).

TABLE 26-1: AVAILABLE 16-BIT PWM MODULES

Device	PWM5	PWM6	PWM11	PWM12
PIC16(L)F1778	•	•	•	
PIC16(L)F1777/9	•	•	•	•

FIGURE 26-1: 16-BIT PWM BLOCK DIAGRAM



FIGURE 26-2: LOAD TRIGGER BLOCK DIAGRAM



26.1 Fundamental Operation

The PWM module produces a 16-bit resolution pulse-width modulated output.

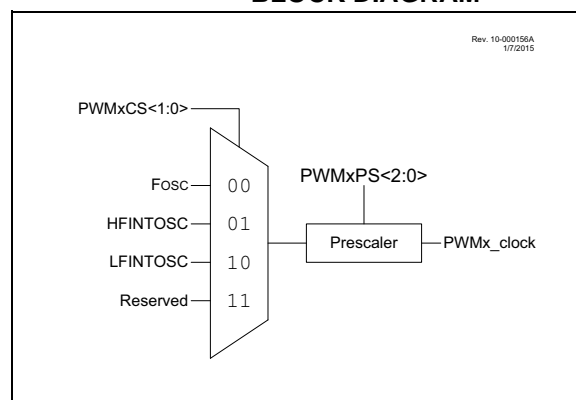
Each PWM module has an independent timer driven by a selection of clock sources determined by the PWMxCLKCON register (Register 26-4). The timer value is compared to event count registers to generate the various events of a the PWM waveform, such as the period and duty cycle. For a block diagram describing the clock sources refer to Figure 26-3.

Each PWM module can be enabled individually using the EN bit of the PWMxCON register, or several PWM modules can be enabled simultaneously using the MPWMxEN bits of the PWMEN register.

The current state of the PWM output can be read using the OUT bit of the PWMxCON register. In some modes this bit can be set and cleared by software giving additional software control over the PWM waveform. This bit is synchronized to $F_{osc}/4$ and therefore does not change in real time with respect to the PWM_clock.

Note: If $PWM_clock > F_{osc}/4$, the OUT bit may not accurately represent the output state of the PWM.

FIGURE 26-3: PWM CLOCK SOURCE BLOCK DIAGRAM



26.1.1 PWMx PIN CONFIGURATION

This device uses the PPS control circuitry to route peripherals to any device I/O pin. Select the desired pin, or pins, for PWM output with the device pin RxyPPS control registers (Register 12-2).

All PWM outputs are multiplexed with the PORT data latch, so the pins must also be configured as outputs by clearing the associated PORT TRIS bits.

The slew rate feature may be configured to optimize the rate to be used in conjunction with the PWM outputs. High-speed output switching is attained by clearing the associated PORT SLRCON bits.

The PWM outputs can be configured to be open-drain outputs by setting the associated PORT ODCON bits.

26.1.2 PWMx Output Polarity

The output polarity is inverted by setting the POL bit of the PWMxCON register. The polarity control affects the PWM output even when the module is not enabled.

PIC16(L)F1777/8/9

26.2 PWM Modes

PWM modes are selected with MODE<1:0> bits of the PWMxCON register (Register 26-1).

In all PWM modes an offset match event can also be used to synchronize the PWMxTMR in three offset modes. See Section 26.3 “Offset Modes” for more information.

26.2.1 STANDARD MODE

The Standard mode (MODE = 00) selects a single phase PWM output. The PWM output in this mode is determined by when the period, duty cycle, and phase counts match the PWMxTMR value. The start of the duty cycle occurs on the phase match and the end of the duty cycle occurs on the duty cycle match. The period match resets the timer. The offset match can also be used to synchronize the PWMxTMR in the offset modes. See Section 26.3 “Offset Modes” for more information.

Equation 26-1 is used to calculate the PWM period in Standard mode.

Equation 26-2 is used to calculate the PWM duty cycle ratio in Standard mode.

EQUATION 26-1: PWM PERIOD IN STANDARD MODE

$$Period = \frac{(PWMxPR + 1) \cdot Prescale}{PWM_clock}$$

EQUATION 26-2: PWM DUTY CYCLE IN STANDARD MODE

$$Duty\ Cycle = \frac{(PWMxDC - PWMxPH)}{PWMxPR + 1}$$

A detailed timing diagram for Standard mode is shown in Figure 26-4.

26.2.2 SET ON MATCH MODE

The Set On Match mode (MODE = 01) generates an active output when the phase count matches the PWMxTMR value. The output stays active until the OUT bit of the PWMxCON register is cleared or the PWM module is disabled. The duty cycle count has no effect in this mode. The period count only determines the maximum PWMxTMR value above which no phase matches can occur.

The PWMxOUT bit can be used to set or clear the output of the PWM in this mode. Writes to this bit will take place on the next rising edge of the PWM_clock after the bit is written.

A detailed timing diagram for Set On Match is shown in Figure 26-5.

26.2.3 TOGGLE ON MATCH MODE

The Toggle On Match mode (MODE = 10) generates a 50% duty cycle PWM with a period twice as long as that computed for the standard PWM mode. Duty cycle count has no effect in this mode. The phase count determines how many PWMxTMR periods after a period event the output will toggle.

Writes to the OUT bit of the PWMxCON register will have no effect in this mode.

A detailed timing diagram for Toggle On Match is shown in Figure 26-6.

26.2.4 CENTER ALIGNED MODE

The Center Aligned mode (MODE = 11) generates a PWM waveform that is centered in the period. In this mode the period is two times the PWMxPR count. The PWMxTMR counts up to the period value then counts back down to 0. The duty cycle count determines both the start and end of the active PWM output. The start of the duty cycle occurs at the match event when PWMxTMR is incrementing and the duty cycle ends at the match event when PWMxTMR is decrementing. The incrementing match value is the period count minus the duty cycle count. The decrementing match value is the incrementing match value plus 1.

Equation 26-3 is used to calculate the PWM period in Center Aligned mode.

EQUATION 26-3: PWM PERIOD IN CENTER ALIGNED MODE

$$Period = \frac{(PWMxPR + 1) \cdot 2 \cdot Prescale}{PWM_clock}$$

Equation 26-4 is used to calculate the PWM duty cycle ratio in Center Aligned mode

EQUATION 26-4: PWM DUTY CYCLE IN CENTER ALIGNED MODE

$$Duty\ Cycle = \frac{PWMxDC \cdot 2}{(PWMxPR + 1) \cdot 2}$$

Writes to PWMxOUT will have no effect in this mode.

A detailed timing diagram for Center Aligned mode is shown in Figure 26-7.

FIGURE 26-4: STANDARD PWM MODE TIMING DIAGRAM

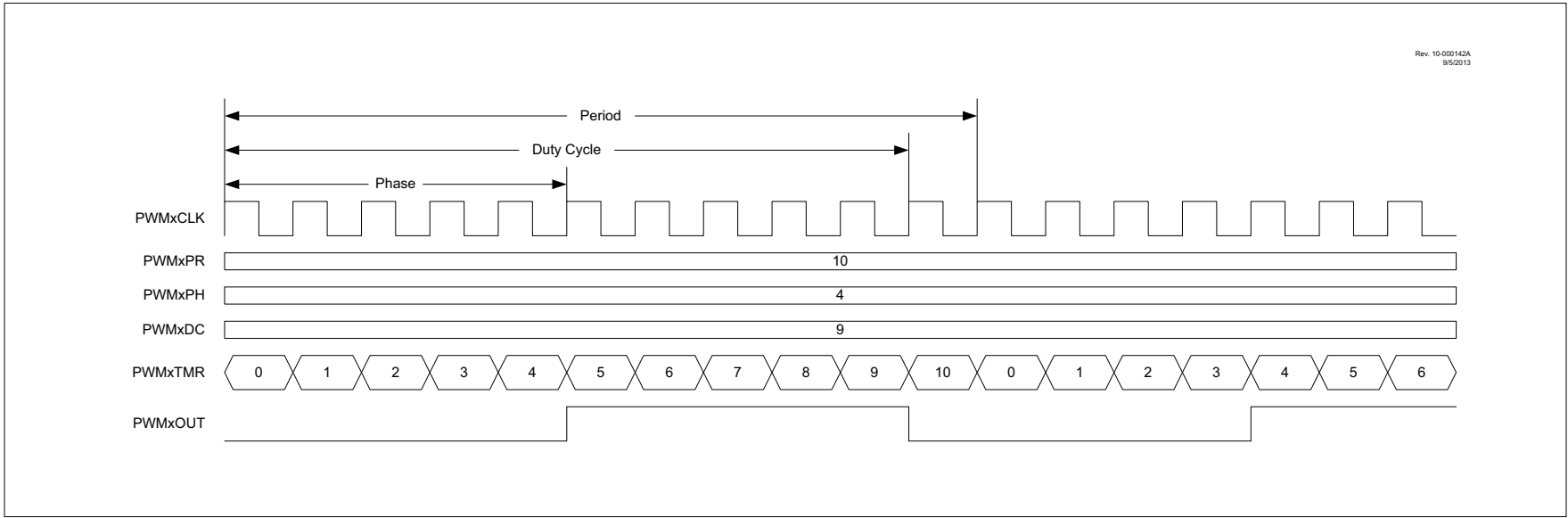


FIGURE 26-5: SET ON MATCH PWM MODE TIMING DIAGRAM

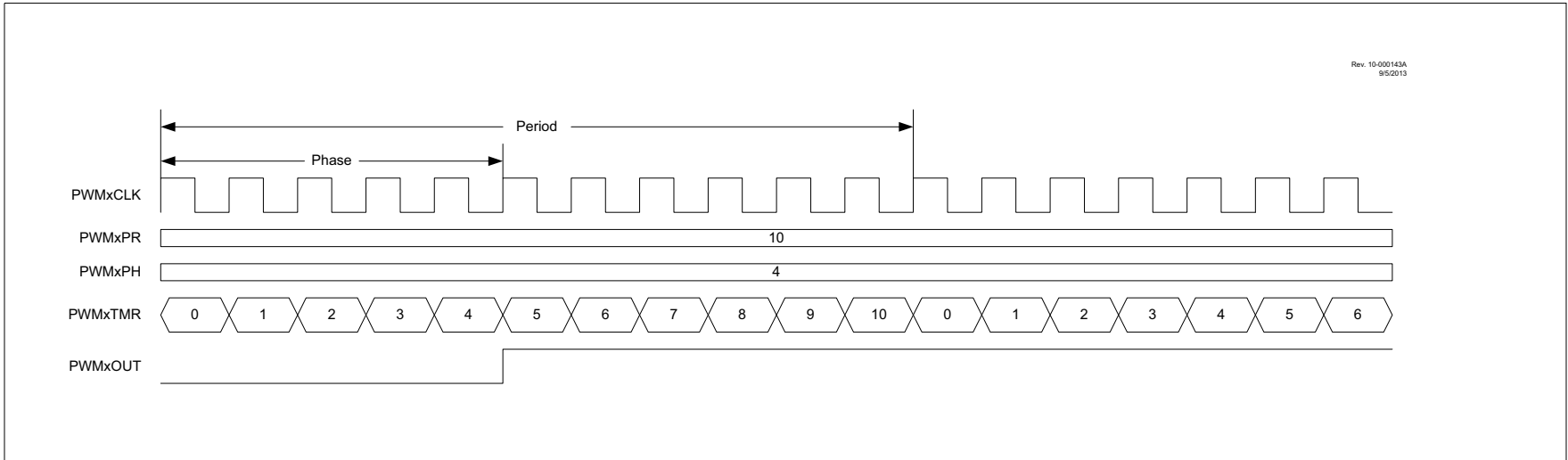


FIGURE 26-6: TOGGLE ON MATCH PWM MODE TIMING DIAGRAM



FIGURE 26-7: CENTER ALIGNED PWM MODE TIMING DIAGRAM



26.3 Offset Modes

The offset modes provide the means to adjust the waveform of a slave PWM module relative to the waveform of a master PWM module in the same device.

26.3.1 INDEPENDENT RUN MODE

In Independent Run mode (OFM = 00), the PWM module is unaffected by the other PWM modules in the device. The PWMxTMR associated with the PWM module in this mode starts counting as soon as the EN bit associated with this PWM module is set and continues counting until the EN bit is cleared. Period events reset the PWMxTMR to zero after which the timer continues to count.

A detailed timing diagram of this mode used with Standard PWM mode is shown in [Figure 26-8](#).

26.3.2 SLAVE RUN MODE WITH SYNC START

In Slave Run mode with Sync Start (OFM = 01), the slave PWMxTMR waits for the master's OF_match event. When this event occurs, if the EN bit is set, the PWMxTMR begins counting and continues to count until software clears the EN bit. Slave period events reset the PWMxTMR to zero after which the timer continues to count.

A detailed timing diagram of this mode used with Standard PWM mode is shown in [Figure 26-9](#).

26.3.3 ONE-SHOT SLAVE MODE WITH SYNC START

In One-Shot Slave mode with Synchronous Start (OFM = 10), the slave PWMxTMR waits until the master's OF_match event. The timer then begins counting, starting from the value that is already in the timer, and continues to count until the period match event. When the period event occurs the timer resets to zero and stops counting. The timer then waits until the next master OF_match event after which it begins counting again to repeat the cycle.

A detailed timing diagram of this mode used with Standard PWM mode is shown in [Figure 26-10](#).

26.3.4 CONTINUOUS RUN SLAVE MODE WITH SYNC START AND TIMER RESET

In Continuous Run Slave mode with Synchronous Start and Timer Reset (OFM = 11) the slave PWMxTMR is inhibited from counting after the slave PWM enable is set. The first master OF_match event starts the slave PWMxTMR. Subsequent master OF_match events reset the slave PWMxTMR timer value back to 1 after which the slave PWMxTMR continues to count. The next master OF_match event resets the slave PWMxTMR back to 1 to repeat the cycle. Slave period events that occur before the master's OF_match event

will reset the slave PWMxTMR to zero after which the timer will continue to count. Slaves operating in this mode must have a PWMxPH register pair value equal to or greater than 1, otherwise the phase match event will not occur precluding the start of the PWM output duty cycle.

The offset timing will persist if both the master and slave PWMxPR values are the same and the Slave Offset mode is changed to Independent Run mode while the PWM module is operating.

A detailed timing diagram of this mode used in Standard PWM mode is shown in [Figure 26-11](#).

Note: Unexpected results will occur if the slave PWM_clock is a higher frequency than the master PWM_clock.

26.3.5 OFFSET MATCH IN CENTER ALIGNED MODE

When a master is operating in Center-Aligned mode the offset match event depends on which direction the PWMxTMR is counting. Clearing the OFO bit of the PWMxOFCON register will cause the OF_match event to occur when the timer is counting up. Setting the OFO bit of the PWMxOFCON register will cause the OF_match event to occur when the timer is counting down. The OFO bit is ignored in Non-Center-Aligned modes.

The OFO bit is double buffered and requires setting the LDA bit to take effect when the PWM module is operating.

Detailed timing diagrams of Center-Aligned mode using offset match control in Independent Slave with Sync Start mode can be seen in [Figure 26-12](#) and [Figure 26-13](#).

FIGURE 26-8: INDEPENDENT RUN MODE TIMING DIAGRAM

Rev. 10-000146B
7/8/2015

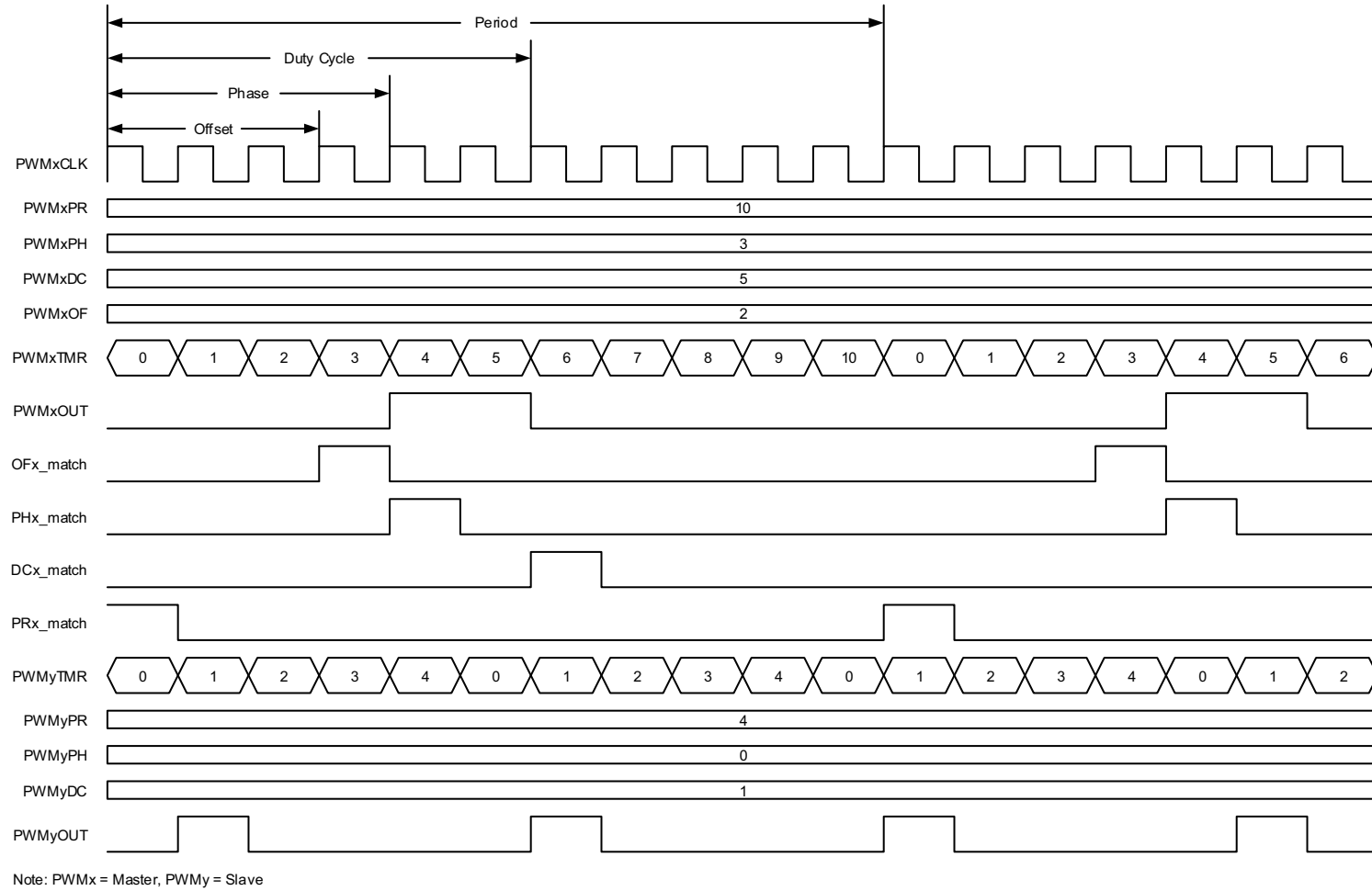


FIGURE 26-9: SLAVE RUN MODE WITH SYNC START TIMING DIAGRAM



FIGURE 26-10: ONE-SHOT SLAVE RUN MODE WITH SYNC START TIMING DIAGRAM

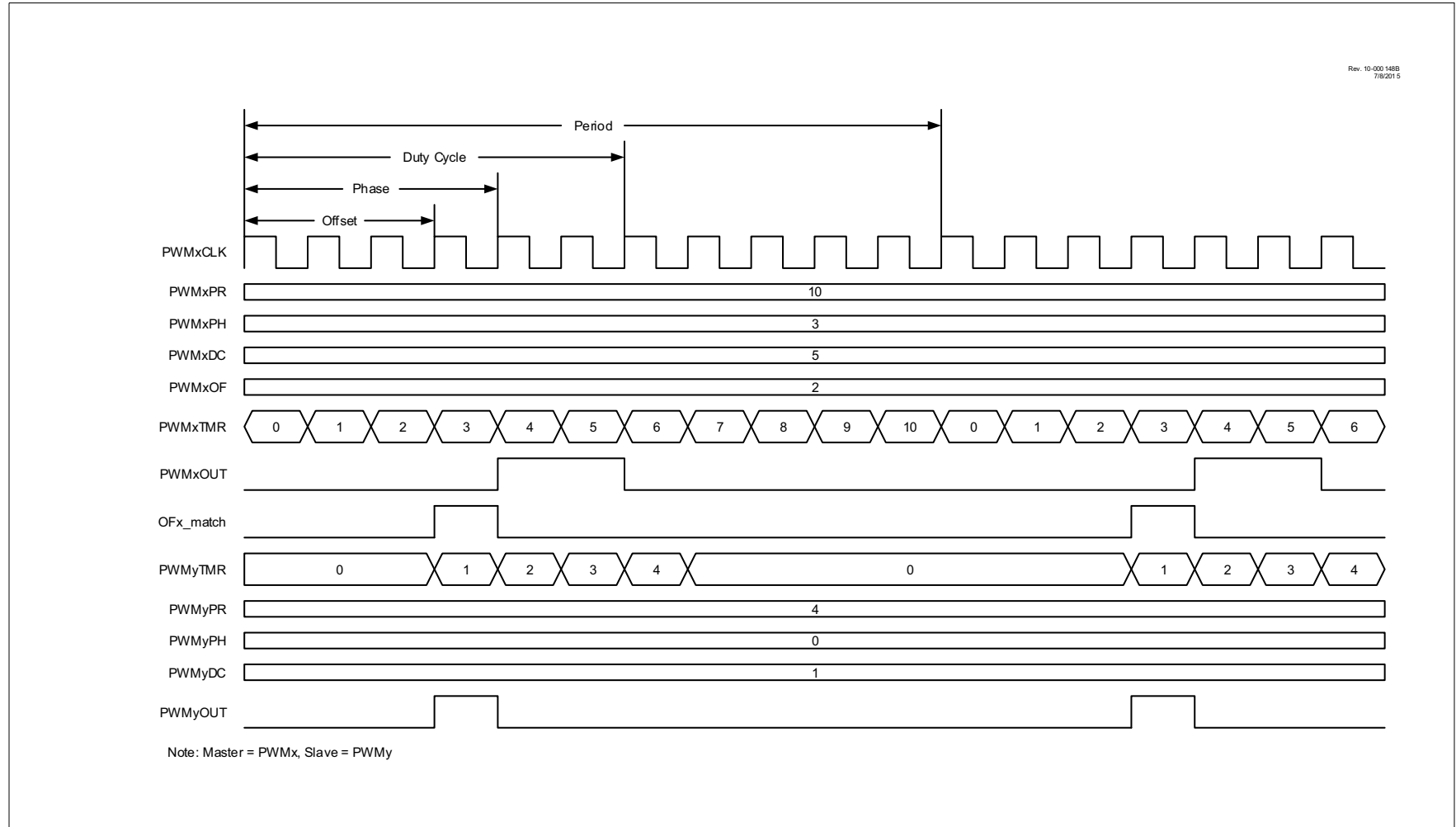


FIGURE 26-11: CONTINUOUS SLAVE RUN MODE WITH IMMEDIATE RESET AND SYNC START TIMING DIAGRAM

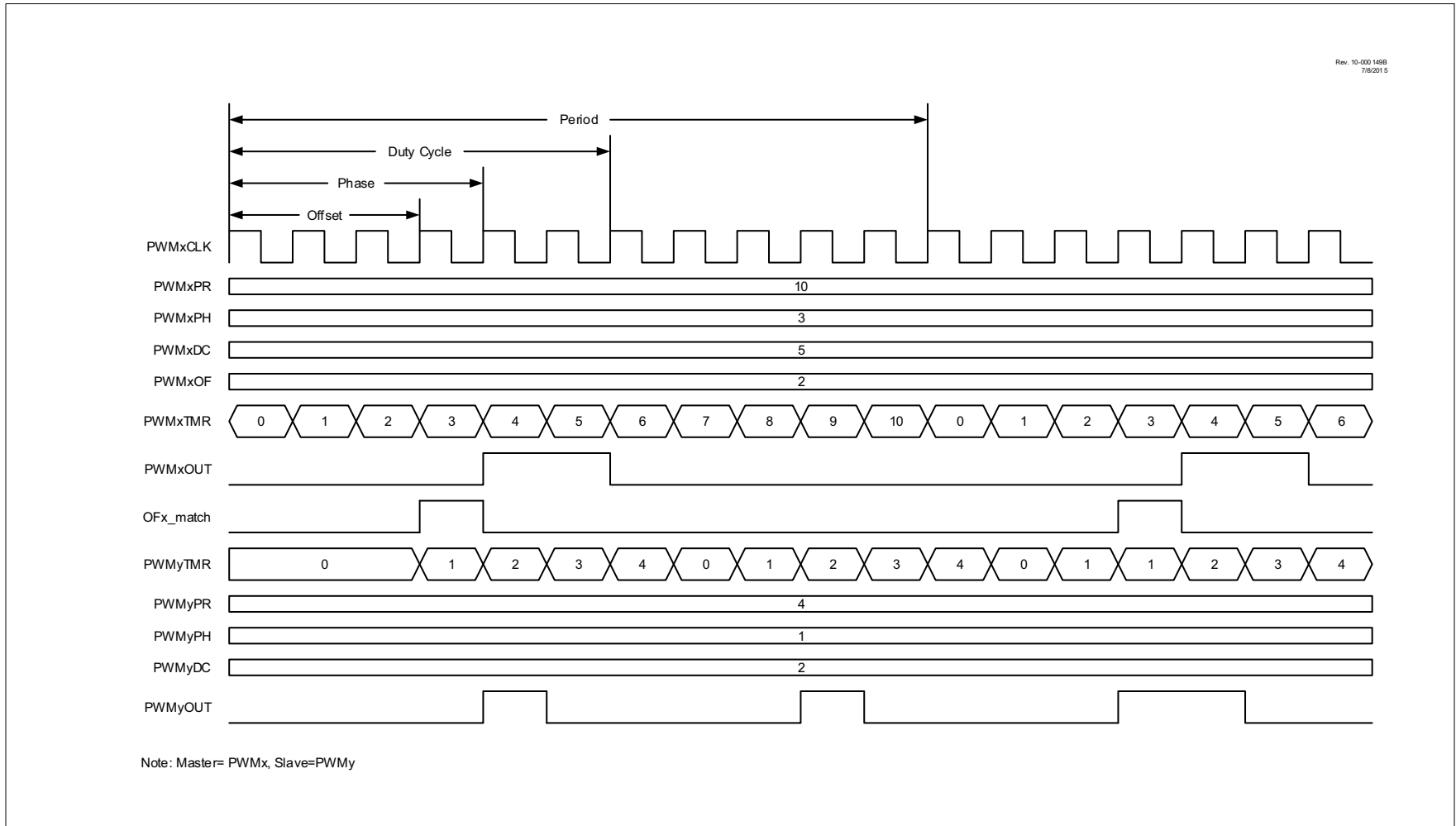


FIGURE 26-12: OFFSET MATCH ON INCREMENTING TIMER TIMING DIAGRAM

Rev. 10-000 1508
7/9/2015

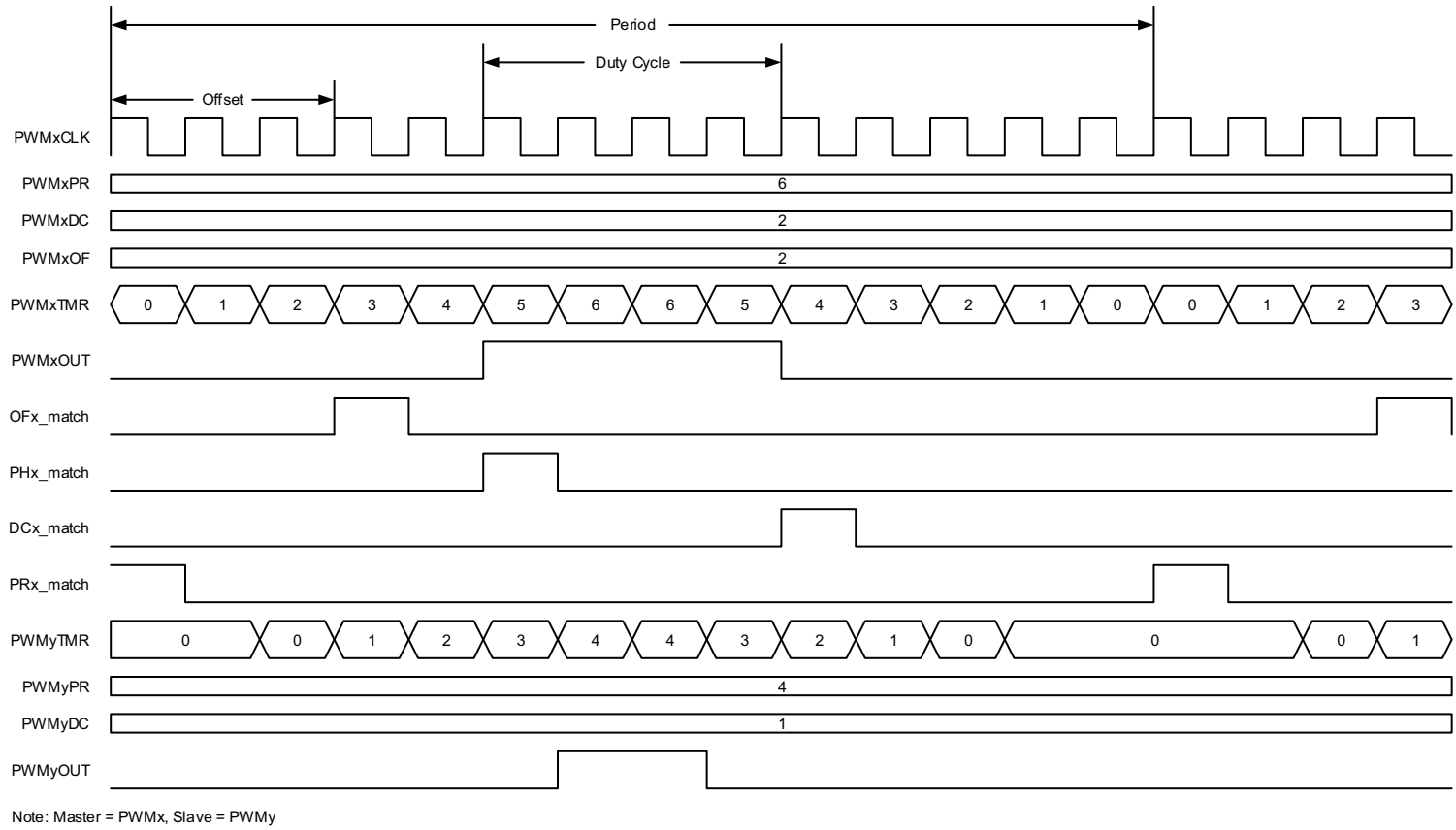


FIGURE 26-13: OFFSET MATCH ON DECREMENTING TIMER TIMING DIAGRAM



PIC16(L)F1777/8/9

26.4 Reload Operation

Four of the PWM module control register pairs and one control bit are double buffered so that all can be updated simultaneously. These include:

- PWMxPHH:PWMxPHL register pair
- PWMxDCH:PWMxDCL register pair
- PWMxPRH:PWMxPRL register pair
- PWMxOFH:PWMxOFL register pair
- ODO control bit

When written to, these registers do not immediately affect the operation of the PWM. By default, writes to these registers will not be loaded into the PWM operating buffer registers until after the arming conditions are met. The arming control has two methods of operation:

- Immediate
- Triggered

The LDT bit of the PWMxLDCON register controls the arming method. Both methods require the LDA bit to be set. All four buffer pairs will load simultaneously at the loading event.

26.4.1 IMMEDIATE RELOAD

When the LDT bit is clear then the Immediate mode is selected and the buffers will be loaded at the first period event after the LDA bit is set. Immediate reloading is used when a PWM module is operating stand-alone or when the PWM module is operating as a master to other slave PWM modules.

26.4.2 TRIGGERED RELOAD

When the LDT bit is set then the Triggered mode is selected and a trigger event is required for the LDA bit to take effect. The trigger source is the buffer load event of one of the other PWM modules in the device. The triggering source is selected by the LDS<1:0> bits of the PWMxLDCON register. The buffers will be loaded at the first period event following the trigger event. Triggered reloading is used when a PWM module is operating as a slave to another PWM and it is necessary to synchronize the buffer reloads in both modules.

Note 1: The buffer load operation clears the LDA bit.

- 2: If the LDA bit is set at the same time as PWMxTMR = PWMxPR, the LDA bit is ignored until the next period event. Such is the case when triggered reload is selected and the triggering event occurs simultaneously with the target's period event

26.5 Operation in Sleep Mode

Each PWM module will continue to operate in Sleep mode when either the HFINTOSC or LFINTOSC is selected as the clock source by PWMxCLKCON<1:0>.

26.6 Interrupts

Each PWM module has four independent interrupts based on the phase, duty cycle, period, and offset match events. The interrupt flag is set on the rising edge of each of these signals. Refer to Figures 26-8 and 26-12 for detailed timing diagrams of the match signals.

26.7 Register Definitions: PWM Control

Long bit name prefixes for the 16-bit PWM peripherals are shown in [Table 26-2](#). Refer to [Section 1.1 “Register and Bit naming conventions”](#) for more information

TABLE 26-2:

Peripheral	Bit Name Prefix
PWM5	PWM5
PWM6	PWM6
PWM11	PWM11
PWM12 ⁽¹⁾	PWM12

Note 1: PIC16(L)F1777/9 only.

REGISTER 26-1: PWMxCON: PWM CONTROL REGISTER

R/W-0/0	U-0	R/HS/HC-0/0	R/W-0/0	R/W-0/0	R/W-0/0	U-0	U-0
EN	—	OUT	POL	MODE<1:0>		—	—
bit 7						bit 0	

Legend:

HC = Bit is cleared by hardware

HS = Bit is set by hardware

R = Readable bit

W = Writable bit

U = Unimplemented bit, read as '0'

u = Bit is unchanged

x = Bit is unknown

-n/n = Value at POR and BOR/Value at all other Resets

'1' = Bit is set

'0' = Bit is cleared

- bit 7 **EN:** PWM Module Enable bit
1 = Module is enabled
0 = Module is disabled
- bit 6 **Unimplemented:** Read as '0'
- bit 5 **OUT:** Output State of the PWM module
- bit 4 **POL:** PWM Output Polarity Control bit
1 = PWM output active state is low
0 = PWM output active state is high
- bit 3-2 **MODE<1:0>:** PWM Mode Control bits
11 = Center Aligned mode
10 = Toggle On Match mode
01 = Set On Match mode
00 = Standard PWM mode
- bit 1-0 **Unimplemented:** Read as '0'

PIC16(L)F1777/8/9

REGISTER 26-2: PWMxINTE: PWM INTERRUPT ENABLE REGISTER

U-0	U-0	U-0	U-0	R/W-0/0	R/W-0/0	R/W-0/0	R/W-0/0
—	—	—	—	OFIE	PHIE	DCIE	PRIE
bit 7				bit 0			

Legend:

R = Readable bit W = Writable bit U = Unimplemented bit, read as '0'
u = Bit is unchanged x = Bit is unknown -n/n = Value at POR and BOR/Value at all other Resets
'1' = Bit is set '0' = Bit is cleared

- bit 7-4 **Unimplemented:** Read as '0'
- bit 3 **OFIE:** Offset Interrupt Enable bit
1 = Interrupt CPU on Offset Match
0 = Do not interrupt CPU on Offset Match
- bit 2 **PHIE:** Phase Interrupt Enable bit
1 = Interrupt CPU on Phase Match
0 = Do not Interrupt CPU on Phase Match
- bit 1 **DCIE:** Duty Cycle Interrupt Enable bit
1 = Interrupt CPU on Duty Cycle Match
0 = Do not interrupt CPU on Duty Cycle Match
- bit 0 **PRIE:** Period Interrupt Enable bit
1 = Interrupt CPU on Period Match
0 = Do not interrupt CPU on Period Match

REGISTER 26-3: PWMxINTF: PWM INTERRUPT REQUEST REGISTER

U-0	U-0	U-0	U-0	R/W/HS-0/0	R/W/HS-0/0	R/W/HS-0/0	R/W/HS-0/0
—	—	—	—	OFIF	PHIF	DCIF	PRIF
bit 7				bit 0			

Legend:

HC = Bit is cleared by hardware HS = Bit is set by hardware
R = Readable bit W = Writable bit U = Unimplemented bit, read as '0'
u = Bit is unchanged x = Bit is unknown -n/n = Value at POR and BOR/Value at all other Resets
'1' = Bit is set '0' = Bit is cleared

- bit 7-4 **Unimplemented:** Read as '0'
- bit 3 **OFIF:** Offset Interrupt Flag bit⁽¹⁾
1 = Offset Match Event occurred
0 = Offset Match Event did not occur
- bit 2 **PHIF:** Phase Interrupt Flag bit⁽¹⁾
1 = Phase Match Event occurred
0 = Phase Match Event did not occur
- bit 1 **DCIF:** Duty Cycle Interrupt Flag bit⁽¹⁾
1 = Duty Cycle Match Event occurred
0 = Duty Cycle Match Event did not occur
- bit 0 **PRIF:** Period Interrupt Flag bit⁽¹⁾
1 = Period Match Event occurred
0 = Period Match Event did not occur

Note 1: Bit is forced clear by hardware while module is disabled (EN = 0).

REGISTER 26-4: PWMxCLKCON: PWM CLOCK CONTROL REGISTER

U-0	R/W-0/0	R/W-0/0	R/W-0/0	U-0	U-0	R/W-0/0	R/W-0/0
—	PS<2:0>			—	—	CS<1:0>	
bit 7						bit 0	

Legend:

R = Readable bit

W = Writable bit

U = Unimplemented bit, read as '0'

u = Bit is unchanged

x = Bit is unknown

-n/n = Value at POR and BOR/Value at all other Resets

'1' = Bit is set

'0' = Bit is cleared

bit 7 **Unimplemented:** Read as '0'

bit 6-4 **PS<2:0>:** Clock Source Prescaler Select bits

111 = Divide clock source by 128

110 = Divide clock source by 64

101 = Divide clock source by 32

100 = Divide clock source by 16

011 = Divide clock source by 8

010 = Divide clock source by 4

001 = Divide clock source by 2

000 = No Prescaler

bit 3-2 **Unimplemented:** Read as '0'

bit 1-0 **CS<1:0>:** Clock Source Select bits

11 = Reserved

10 = LFINTOSC (continues to operate during Sleep)

01 = HFINTOSC (continues to operate during Sleep)

00 = FOSC

PIC16(L)F1777/8/9

REGISTER 26-5: PWMxLDCON: PWM RELOAD TRIGGER SOURCE SELECT REGISTER

R/W/HC-0/0	R/W-0/0	U-0	U-0	U-0	U-0	R/W-0/0	R/W-0/0
LDA ⁽¹⁾	LDT	—	—	—	—	LDS<1:0> ⁽²⁾	
bit 7							bit 0

Legend:

R = Readable bit	W = Writable bit	U = Unimplemented bit, read as '0'
u = Bit is unchanged	x = Bit is unknown	-n/n = Value at POR and BOR/Value at all other Resets
'1' = Bit is set	'0' = Bit is cleared	HC = Cleared by hardware

- bit 7 **LDA:** Load Buffer Armed bit⁽¹⁾
 If LDT = 1:
 1 = Load the ODO bit and OFx, PHx, DCx and PRx buffers at the end of the period in which the selected trigger occurs
 0 = Do not load buffers, load has completed
 If LDT = 0:
 1 = Load the ODO bit and OFx, PHx, DCx and PRx buffers at the end of the current period
 0 = Do not load buffers, load has completed
- bit 6 **LDT:** Load Buffer on Trigger bit
 1 = Wait for trigger selected by the LDS<1:0> bits to occur before enabling the LDA bit
 0 = Load triggering is disabled. Buffer loads are controlled by the LDA bit alone.
- bit 5-2 **Unimplemented:** Read as '0'
- bit 1-0 **LDS<1:0>:** Load Trigger Source Select bits⁽²⁾
 10 = LD11_trigger
 01 = LD6_trigger
 00 = LD5_trigger

- Note 1:** This bit is cleared by the module after a reload operation. It can be cleared in software to clear an existing arming event.
- Note 2:** The source corresponding to a PWM module's own LDx_trigger is reserved.

REGISTER 26-6: PWMxOFCON: PWM OFFSET TRIGGER SOURCE SELECT REGISTER

U-0	R/W-0/0	R/W-0/0	R/W-0/0	U-0	U-0	R/W-0/0	R/W-0/0
—	OFM<1:0>		OFO ⁽¹⁾	—	—	OFS<1:0>	
bit 7						bit 0	

Legend:

R = Readable bit

W = Writable bit

U = Unimplemented bit, read as '0'

u = Bit is unchanged

x = Bit is unknown

-n/n = Value at POR and BOR/Value at all other Resets

'1' = Bit is set

'0' = Bit is cleared

bit 7 **Unimplemented:** Read as '0'

bit 6-5 **OFM<1:0>:** Offset Mode Select bits

11 = Continuous Run Slave mode with offset triggered timer Reset and synchronized start

10 = One-shot Slave mode with offset triggered synchronized start

01 = Slave Run mode with offset triggered synchronized start

00 = Independent Run mode

bit 4 **OFO:** Offset Match Output Control bit⁽¹⁾

If MODE<1:0> = 11 (PWM center aligned mode):

1 = OFx_match occurs when the PWMxTMR is counting up

0 = OFx_match occurs when the PWMxTMR is counting down

If MODE<1:0> = 00, 01, or 10 (all other modes):

this bit is ignored

bit 3-2 **Unimplemented:** Read as '0'

bit 1-0 **OFS<1:0>:** Offset Trigger Source Select bit

10 = OF11_match

01 = OF6_match

00 = OF5_match

Note 1: The source corresponding to the PWM module's own OFx_match is reserved.

PIC16(L)F1777/8/9

REGISTER 26-7: PWMxPHH: PWMx PHASE COUNT HIGH REGISTER

R/W-x/u	R/W-x/u	R/W-x/u	R/W-x/u	R/W-x/u	R/W-x/u	R/W-x/u	R/W-x/u
PH<15:8>							
bit 7							bit 0

Legend:

R = Readable bit	W = Writable bit	U = Unimplemented bit, read as '0'
u = Bit is unchanged	x = Bit is unknown	-n/n = Value at POR and BOR/Value at all other Resets
'1' = Bit is set	'0' = Bit is cleared	

bit 7-0 **PH<15:8>**: PWM Phase High bits
Upper eight bits of PWM phase count

REGISTER 26-8: PWMxPHL: PWMx PHASE COUNT LOW REGISTER

R/W-x/u	R/W-x/u	R/W-x/u	R/W-x/u	R/W-x/u	R/W-x/u	R/W-x/u	R/W-x/u
PH<7:0>							
bit 7							bit 0

Legend:

R = Readable bit	W = Writable bit	U = Unimplemented bit, read as '0'
u = Bit is unchanged	x = Bit is unknown	-n/n = Value at POR and BOR/Value at all other Resets
'1' = Bit is set	'0' = Bit is cleared	

bit 7-0 **PH<7:0>**: PWM Phase Low bits
Lower eight bits of PWM phase count

REGISTER 26-9: PWMxDCH: PWMx DUTY CYCLE COUNT HIGH REGISTER

R/W-x/u	R/W-x/u	R/W-x/u	R/W-x/u	R/W-x/u	R/W-x/u	R/W-x/u	R/W-x/u
DC<15:8>							
bit 7							bit 0

Legend:

R = Readable bit	W = Writable bit	U = Unimplemented bit, read as '0'
u = Bit is unchanged	x = Bit is unknown	-n/n = Value at POR and BOR/Value at all other Resets
'1' = Bit is set	'0' = Bit is cleared	

bit 7-0 **DC<15:8>**: PWM Duty Cycle High bits
Upper eight bits of PWM duty cycle count

REGISTER 26-10: PWMxDCL: PWMx DUTY CYCLE COUNT LOW REGISTER

R/W-x/u	R/W-x/u	R/W-x/u	R/W-x/u	R/W-x/u	R/W-x/u	R/W-x/u	R/W-x/u
DC<7:0>							
bit 7							bit 0

Legend:

R = Readable bit	W = Writable bit	U = Unimplemented bit, read as '0'
u = Bit is unchanged	x = Bit is unknown	-n/n = Value at POR and BOR/Value at all other Resets
'1' = Bit is set	'0' = Bit is cleared	

bit 7-0 **DC<7:0>**: PWM Duty Cycle Low bits
Lower eight bits of PWM duty cycle count

PIC16(L)F1777/8/9

REGISTER 26-11: PWMxPRH: PWMx PERIOD COUNT HIGH REGISTER

R/W-x/u	R/W-x/u	R/W-x/u	R/W-x/u	R/W-x/u	R/W-x/u	R/W-x/u	R/W-x/u
PR<15:8>							
bit 7							bit 0

Legend:

R = Readable bit	W = Writable bit	U = Unimplemented bit, read as '0'
u = Bit is unchanged	x = Bit is unknown	-n/n = Value at POR and BOR/Value at all other Resets
'1' = Bit is set	'0' = Bit is cleared	

bit 7-0 **PR<15:8>**: PWM Period High bits
Upper eight bits of PWM period count

REGISTER 26-12: PWMxPRL: PWMx PERIOD COUNT LOW REGISTER

R/W-x/u	R/W-x/u	R/W-x/u	R/W-x/u	R/W-x/u	R/W-x/u	R/W-x/u	R/W-x/u
PR<7:0>							
bit 7							bit 0

Legend:

R = Readable bit	W = Writable bit	U = Unimplemented bit, read as '0'
u = Bit is unchanged	x = Bit is unknown	-n/n = Value at POR and BOR/Value at all other Resets
'1' = Bit is set	'0' = Bit is cleared	

bit 7-0 **PR<7:0>**: PWM Period Low bits
Lower eight bits of PWM period count

REGISTER 26-13: PWM_xOFH: PWM_x OFFSET COUNT HIGH REGISTER

R/W-x/u	R/W-x/u	R/W-x/u	R/W-x/u	R/W-x/u	R/W-x/u	R/W-x/u	R/W-x/u
OF<15:8>							
bit 7							bit 0

Legend:

R = Readable bit	W = Writable bit	U = Unimplemented bit, read as '0'
u = Bit is unchanged	x = Bit is unknown	-n/n = Value at POR and BOR/Value at all other Resets
'1' = Bit is set	'0' = Bit is cleared	

bit 7-0 **OF<15:8>**: PWM Offset High bits
Upper eight bits of PWM offset count

REGISTER 26-14: PWM_xOFL: PWM_x OFFSET COUNT LOW REGISTER

R/W-x/u	R/W-x/u	R/W-x/u	R/W-x/u	R/W-x/u	R/W-x/u	R/W-x/u	R/W-x/u
OF<7:0>							
bit 7							bit 0

Legend:

R = Readable bit	W = Writable bit	U = Unimplemented bit, read as '0'
u = Bit is unchanged	x = Bit is unknown	-n/n = Value at POR and BOR/Value at all other Resets
'1' = Bit is set	'0' = Bit is cleared	

bit 7-0 **OF<7:0>**: PWM Offset Low bits
Lower eight bits of PWM offset count

PIC16(L)F1777/8/9

REGISTER 26-15: PWMxTMRH: PWMx TIMER HIGH REGISTER

R/W-0/0	R/W-0/0	R/W-0/0	R/W-0/0	R/W-0/0	R/W-0/0	R/W-0/0	R/W-0/0
TMR<15:8>							
bit 7							bit 0

Legend:

R = Readable bit	W = Writable bit	U = Unimplemented bit, read as '0'
u = Bit is unchanged	x = Bit is unknown	-n/n = Value at POR and BOR/Value at all other Resets
'1' = Bit is set	'0' = Bit is cleared	

bit 7-0 **TMR<15:8>**: PWM Timer High bits
Upper eight bits of PWM timer counter

REGISTER 26-16: PWMxTMRL: PWMx TIMER LOW REGISTER

R/W-0/0	R/W-0/0	R/W-0/0	R/W-0/0	R/W-0/0	R/W-0/0	R/W-0/0	R/W-0/0
TMR<7:0>							
bit 7							bit 0

Legend:

R = Readable bit	W = Writable bit	U = Unimplemented bit, read as '0'
u = Bit is unchanged	x = Bit is unknown	-n/n = Value at POR and BOR/Value at all other Resets
'1' = Bit is set	'0' = Bit is cleared	

bit 7-0 **TMR<7:0>**: PWM Timer Low bits
Lower eight bits of PWM timer counter

Note: There are no long and short bit name variants for the following three mirror registers

REGISTER 26-17: PWMEN: PWMEN BIT MIRROR REGISTER

U-0	U-0	U-0	U-0	R/W-0/0	R/W-0/0	R/W-0/0	R/W-0/0
—	—	—	—	MPWM12EN ⁽¹⁾	MPWM11EN	MPWM6EN	MPWM5EN
bit 7							bit 0

Legend:

R = Readable bit W = Writable bit U = Unimplemented bit, read as '0'
 '1' = Bit is set '0' = Bit is cleared -n/n = Value at POR and BOR/Value at all other Resets

bit 7-3 **Unimplemented:** Read as '0'
 bit 2-0 **PWMxEN:** PWM11/PWM6/PWM5 Enable bits
 Mirror copy of each PWM module's PWMxCON<7> bit

Note 1: PIC16(L)F1777/9 only.

REGISTER 26-18: PWMLD: LDA BIT MIRROR REGISTER

U-0	U-0	U-0	U-0	R/W-0/0	R/W-0/0	R/W-0/0	R/W-0/0
—	—	—	—	MPWM12LD ⁽¹⁾	MPWM11LD	MPWM6LD	MPWM5LD
bit 7							bit 0

Legend:

R = Readable bit W = Writable bit U = Unimplemented bit, read as '0'
 '1' = Bit is set '0' = Bit is cleared -n/n = Value at POR and BOR/Value at all other Resets

bit 7-3 **Unimplemented:** Read as '0'
 bit 2 **MPWM11LD:** PWM11LD bits
 Mirror copy of each PWM module's PWMxLDCON<7> bit
 bit 1 **MPWM6LD:** PWM6LD bits
 Mirror copy of each PWM module's PWMxLDCON<7> bit
 bit 0 **MPWM5LD:** PWM5LD bits
 Mirror copy of each PWM module's PWMxLDCON<7> bit

Note 1: PIC16(L)F1777/9 only.

REGISTER 26-19: PWMOUT: PWMOUT BIT MIRROR REGISTER

U-0	U-0	U-0	U-0	R/W-0/0	R/W-0/0	R/W-0/0	R/W-0/0
—	—	—	—	MPWM12OUT ⁽¹⁾	MPWM11OUT	MPWM6OUT	MPWM5OUT
bit 7							bit 0

Legend:

R = Readable bit W = Writable bit U = Unimplemented bit, read as '0'
 '1' = Bit is set '0' = Bit is cleared -n/n = Value at POR and BOR/Value at all other Resets

bit 7-3 **Unimplemented:** Read as '0'
 bit 2 **MPWM11OUT:** PWM11 OUT bits
 Mirror copy of each PWM module's PWMxCON<5> bit
 bit 1 **MPWM6OUT:** PWM6 OUT bits
 Mirror copy of each PWM module's PWMxCON<5> bit
 bit 0 **MPWM5OUT:** PWM5 OUT bits
 Mirror copy of each PWM module's PWMxCON<5> bit

Note 1: PIC16(L)F1777/9 only.

PIC16(L)F1777/8/9

TABLE 26-3: SUMMARY OF REGISTERS ASSOCIATED WITH PWM

Name	Bit 7	Bit 6	Bit 5	Bit 4	Bit 3	Bit 2	Bit 1	Bit 0	Register on Page	
OSCCON	SPLLEN	IRCF<3:0>				—	SCS<1:0>			116
PWMEN	—	—	—	—	MPWM12EN ⁽¹⁾	MPWM11EN	MPWM6EN	MPWM5EN	355	
PWMLD	—	—	—	—	MPWM12LD ⁽¹⁾	MPWM11LD	MPWM6LD	MPWM5LD	355	
PWMOUT	—	—	—	—	MPWM12OUT ⁽¹⁾	MPWM11OUT	MPWM6OUT	MPWM5OUT	355	
PWM5PHL					PH<7:0>				350	
PWM5PHH					PH<15:8>				350	
PWM5DCL					DC<7:0>				351	
PWM5DCH					DC<15:8>				351	
PWM5PRL					PR<7:0>				352	
PWM5PRH					PR<15:8>				352	
PWM5OFL					OF<7:0>				353	
PWM5OFH					OF<15:8>				353	
PWM5TMRL					TMR<7:0>				354	
PWM5TMRH					TMR<15:8>				354	
PWM5CON	EN	—	OUT	POL	MODE<1:0>		—	—	345	
PWM5INTE	—	—	—	—	OFIE	PHIE	DCIE	PRIE	346	
PWM5INTF	—	—	—	—	OFIF	PHIF	DCIF	PRIF	346	
PWM5CLKCON	—	PS<2:0>			—	—	CS<1:0>		347	
PWM5LDCON	LDA	LDT	—	—	—	—	LDS<1:0>		348	
PWM5OFCON	—	OFM<1:0>		OFO	—	—	OFS<1:0>		349	
PWM6PHL					PH<7:0>				350	
PWM6PHH					PH<15:8>				350	
PWM6DCL					DC<7:0>				351	
PWM6DCH					DC<15:8>				351	
PWM6PRL					PR<7:0>				352	
PWM6PRH					PR<15:8>				352	
PWM6OFL					OF<7:0>				353	
PWM6OFH					OF<15:8>				353	
PWM6TMRL					TMR<7:0>				354	
PWM6TMRH					TMR<15:8>				354	
PWM6CON	EN	—	OUT	POL	MODE<1:0>		—	—	345	
PWM6INTE	—	—	—	—	OFIE	PHIE	DCIE	PRIE	346	
PWM6INTF	—	—	—	—	OFIF	PHIF	DCIF	PRIF	346	
PWM6CLKCON	—	PS<2:0>			—	—	CS<1:0>		347	
PWM6LDCON	LDA	LDT	—	—	—	—	LDS<1:0>		348	
PWM6OFCON	—	OFM<1:0>		OFO	—	—	OFS<1:0>		349	
PWM11PHL					PH<7:0>				350	
PWM11PHH					PH<15:8>				350	
PWM11DCL					DC<7:0>				351	
PWM11DCH					DC<15:8>				351	
PWM11PRL					PR<7:0>				352	
PWM11PRH					PR<15:8>				352	
PWM11OFL					OF<7:0>				353	
PWM11OFH					OF<15:8>				353	
PWM11TMRL					TMR<7:0>				354	
PWM11TMRH					TMR<15:8>				354	
PWM11CON	EN	—	OUT	POL	MODE<1:0>		—	—	345	
PWM11INTE	—	—	—	—	OFIE	PHIE	DCIE	PRIE	346	
PWM11INTF	—	—	—	—	OFIF	PHIF	DCIF	PRIF	346	
PWM11CLKCON	—	PS<2:0>			—	—	CS<1:0>		347	
PWM11LDCON	LDA	LDT	—	—	—	—	LDS<1:0>		348	

Legend: — = unimplemented location, read as '0'. Shaded cells are not used by PWM.

Note 1: PIC16(L)F1777/9 only.

TABLE 26-3: SUMMARY OF REGISTERS ASSOCIATED WITH PWM (CONTINUED)

Name	Bit 7	Bit 6	Bit 5	Bit 4	Bit 3	Bit 2	Bit 1	Bit 0	Register on Page
PWM11OFCON	—	OFM<1:0>		OFO	—	—	OFS<1:0>		349
PWM12PHL ⁽¹⁾	PH<7:0>								350
PWM12PHH ⁽¹⁾	PH<15:8>								350
PWM12DCL ⁽¹⁾	DC<7:0>								351
PWM12DCH ⁽¹⁾	DC<15:8>								351
PWM12PRL ⁽¹⁾	PR<7:0>								352
PWM12PRH ⁽¹⁾	PR<15:8>								352
PWM12OFL ⁽¹⁾	OF<7:0>								353
PWM12OFH ⁽¹⁾	OF<15:8>								353
PWM12TMRL ⁽¹⁾	TMR<7:0>								354
PWM12TMRH ⁽¹⁾	TMR<15:8>								354
PWM12CON ⁽¹⁾	EN	—	OUT	POL	MODE<1:0>		—	—	345
PWM12INTE ⁽¹⁾	—	—	—	—	OFIE	PHIE	DCIE	PRIE	346
PWM12INTF ⁽¹⁾	—	—	—	—	OFIF	PHIF	DCIF	PRIF	346
PWM12CLKCON ⁽¹⁾	—	PS<2:0>			—	—	CS<1:0>		347
PWM12LDCON ⁽¹⁾	LDA	LDT	—	—	—	—	LDS<1:0>		348
PWM12OFCON ⁽¹⁾	—	OFM<1:0>		OFO	—	—	OFS<1:0>		349

Legend: — = unimplemented location, read as '0'. Shaded cells are not used by PWM.

Note 1: PIC16(L)F1777/9 only.

TABLE 26-4: SUMMARY OF CONFIGURATION WORDS WITH CLOCK SOURCES

Name	Bits	Bit -/7	Bit -/6	Bit 13/5	Bit 12/4	Bit 11/3	Bit 10/2	Bit 9/1	Bit 8/0	Register on Page
CONFIG1	13:8	—	—	FCMEN	IESO	CLKOUTEN	BOREN<1:0>		—	95
	7:0	CP	MCLRE	PWRTE	WDTE<1:0>		FOSC<2:0>			

Legend: — = unimplemented location, read as '0'. Shaded cells are not used by clock sources.

PIC16(L)F1777/8/9

NOTES:

27.0 COMPLEMENTARY OUTPUT GENERATOR (COG) MODULES

The primary purpose of the Complementary Output Generator (COG) is to convert a single-output PWM signal into a two-output complementary PWM signal. The COG can also convert two separate input events into a single or complementary PWM output.

TABLE 27-1: AVAILABLE COG MODULES

Device	COG1	COG2	COG3	COG4
PIC16(L)F1778	•	•	•	
PIC16(L)F1777/9	•	•	•	•

The COG PWM frequency and duty cycle are determined by a rising event input and a falling event input. The rising event and falling event may be the same source. Sources may be synchronous or asynchronous to the COG_clock.

The rate at which the rising event occurs determines the PWM frequency. The time from the rising event to the falling event determines the duty cycle.

A selectable clock input is used to generate the phase delay, blanking, and dead-band times. Dead-band time can also be generated with a programmable delay chain, which is independent from all clock sources.

Simplified block diagrams of the various COG modes are shown in [Figure 27-2](#) through [Figure 27-6](#).

The COG module has the following features:

- Six modes of operation:
 - Steered PWM mode
 - Synchronous Steered PWM mode
 - Forward Full-Bridge mode
 - Reverse Full-Bridge mode
 - Half-Bridge mode
 - Push-Pull mode
- Selectable COG_clock clock source
- Independently selectable rising event sources
- Independently selectable falling event sources
- Independently selectable edge or level event sensitivity
- Independent output polarity selection
- Phase delay with independent rising and falling delay times
- Dead-band control with:
 - independent rising and falling event dead-band times
 - Synchronous and asynchronous timing
- Blanking control with independent rising and falling event blanking times
- Auto-shutdown control with:
 - Independently selectable shutdown sources
 - Auto-restart enable
 - Auto-shutdown pin override control (high, low, off, and High-Z)

27.1 Output to Pins (all modes)

The COG peripheral has four outputs: COGA, COGB, COGC, and COGD.

The operating mode, selected with the MD<2:0> bits of the COGxCON0 register, determine the waveform available at each output. An individual peripheral source control for each device pin selects the pin or pins at which the outputs will appear. Please refer to the RxyPPS register ([Register 12-2](#)) for more information.

27.2 Event-Driven PWM (All Modes)

Besides generating PWM and complementary outputs from a single PWM input, the COG can also generate PWM waveforms from a periodic rising event and a separate falling event. In this case, the falling event is usually derived from analog feedback within the external PWM driver circuit. In this configuration, high-power switching transients may trigger a false falling event that needs to be blanked out. The COG can be configured to blank falling (and rising) event inputs for a period of time immediately following the rising (and falling) event drive output. This is referred to as input blanking and is covered in [Section 27.8 “Blanking Control”](#).

It may be necessary to guard against the possibility of external circuit faults. In this case, the active drive must be terminated before the Fault condition causes damage. This is referred to as auto-shutdown and is covered in [Section 27.10 “Auto-Shutdown Control”](#).

The COG can be configured to operate in phase delayed conjunction with another PWM. The active drive cycle is delayed from the rising event by a phase delay timer. Phase delay is covered in more detail in [Section 27.9 “Phase Delay”](#).

A typical operating waveform, with phase delay and dead band, generated from a single CCP1 input is shown in [Figure 27-10](#).

PIC16(L)F1777/8/9

27.3 Modes of Operation

27.3.1 STEERED PWM MODES

In Steered PWM mode, the PWM signal derived from the input event sources is output as a single phase PWM which can be steered to any combination of the four COG outputs. Output steering takes effect on the instruction cycle following the write to the COGxSTR register.

Synchronous Steered PWM mode is identical to the Steered PWM mode except that changes to the output steering take effect on the first rising event after the COGxSTR register write. Static output data is not synchronized.

Steering mode configurations are shown in [Figure 27-2](#) and [Figure 27-3](#).

Steered PWM and Synchronous Steered PWM modes are selected by setting the MD<2:0> bits of the COGxCON0 register ([Register 27-1](#)) to '000' and '001', respectively.

27.3.2 FULL-BRIDGE MODES

In both Forward and Reverse Full-Bridge modes, two of the four COG outputs are active and the other two are inactive. Of the two active outputs, one is modulated by the PWM input signal and the other is on at 100% duty cycle. When the direction is changed, the dead-band time is inserted to delay the modulated output. This gives the unmodulated driver time to shut down, thereby, preventing shoot-through current in the series connected power devices.

In Forward Full-Bridge mode, the PWM input modulates the COGxD output and drives the COGA output at 100%.

In Reverse Full-Bridge mode, the PWM input modulates the COGxB output and drives the COGxC output at 100%.

The full-bridge configuration is shown in [Figure 27-4](#). Typical full-bridge waveforms are shown in [Figure 27-12](#) and [Figure 27-13](#).

Full-Bridge Forward and Full-Bridge Reverse modes are selected by setting the MD<2:0> bits of the COGxCON0 register to '010' and '011', respectively.

FIGURE 27-1: EXAMPLE OF FULL-BRIDGE APPLICATION



27.3.3 HALF-BRIDGE MODE

In Half-Bridge mode, the COG generates a two output complementary PWM waveform from rising and falling event sources. In the simplest configuration, the rising and falling event sources are the same signal, which is a PWM signal with the desired period and duty cycle. The COG converts this single PWM input into a dual complementary PWM output. The frequency and duty cycle of the dual PWM output match those of the single input PWM signal. The off-to-on transition of each output can be delayed from the on-to-off transition of the other output, thereby, creating a time immediately after the PWM transition where neither output is driven. This is referred to as dead-band time and is covered in [Section 27.7 “Dead-Band Control”](#).

The half-bridge configuration is shown in [Figure 27-5](#). A typical operating waveform, with dead band, generated from a single CCP1 input is shown in [Figure 27-9](#).

The primary output is available on either, or both, COGxA and COGxC. The complementary output is available on either, or both, COGxB and COGxD.

Half-Bridge mode is selected by setting the MD<2:0> bits of the COGxCON0 register to '100'.

27.3.4 PUSH-PULL MODE

In Push-Pull mode, the COG generates a single PWM output that alternates between the two pairs of the COG outputs at every PWM period. COGxA has the same signal as COGxC. COGxB has the same signal as COGxD. The output drive activates with the rising input event and terminates with the falling event input. Each rising event starts a new period and causes the output to switch to the COG pair not used in the previous period.

The Push-Pull configuration is shown in [Figure 27-6](#). A typical Push-Pull waveform generated from a single CCP1 input is shown in [Figure 27-11](#).

Push-Pull mode is selected by setting the MD<2:0> bits of the COGxCON0 register to '101'.

FIGURE 27-2: SIMPLIFIED COG BLOCK DIAGRAM (STEERED PWM MODE, MD = 0)



FIGURE 27-3: SIMPLIFIED COG BLOCK DIAGRAM (SYNCHRONOUS STEERED PWM MODE, MD = 1)



FIGURE 27-4: SIMPLIFIED COG BLOCK DIAGRAM (FULL-BRIDGE MODES, FORWARD: MD = 2, REVERSE: MD = 3)



FIGURE 27-5: SIMPLIFIED COG BLOCK DIAGRAM (HALF-BRIDGE MODE, MD = 4)

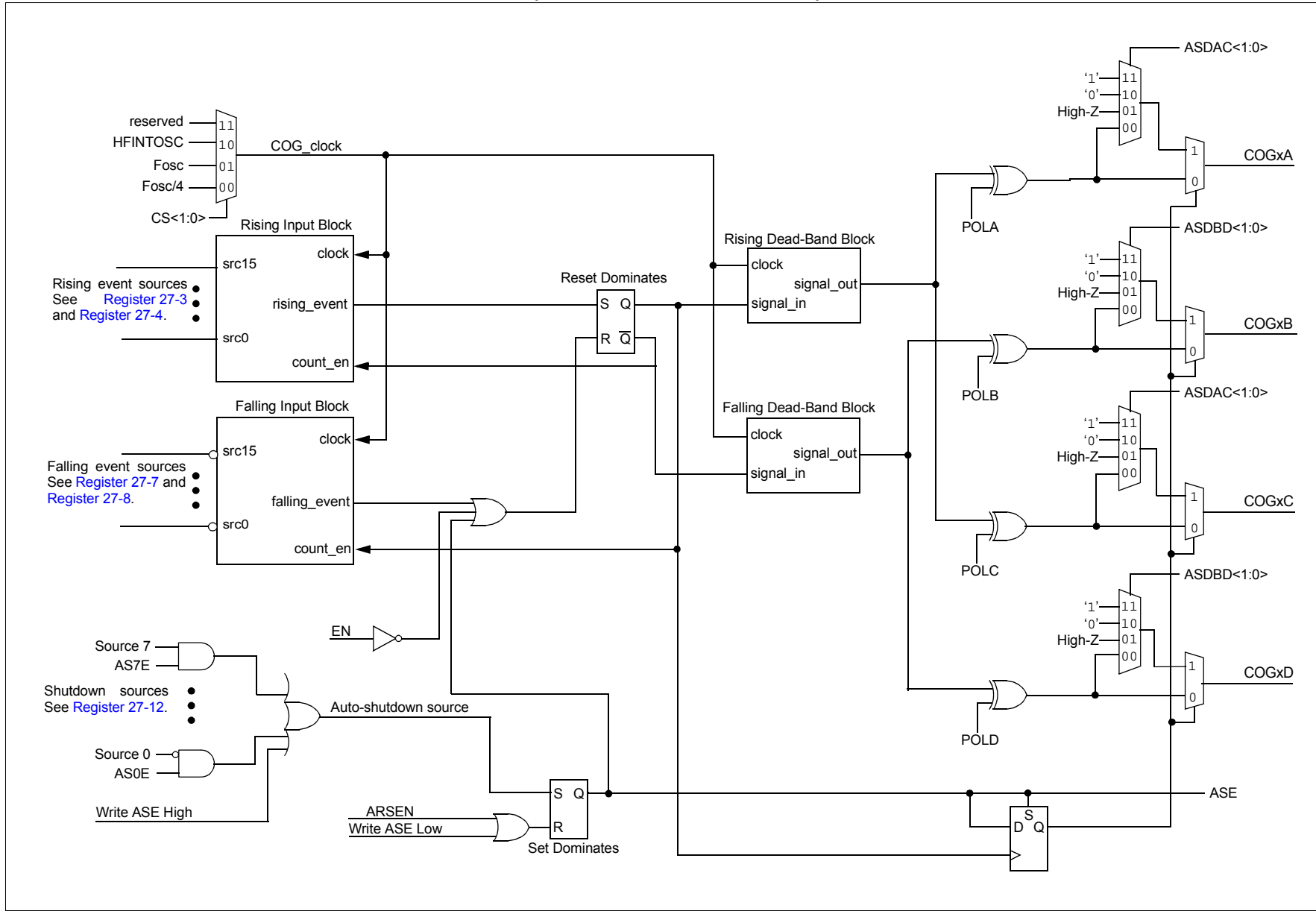


FIGURE 27-6: SIMPLIFIED COG BLOCK DIAGRAM (PUSH-PULL MODE, MD = 5)

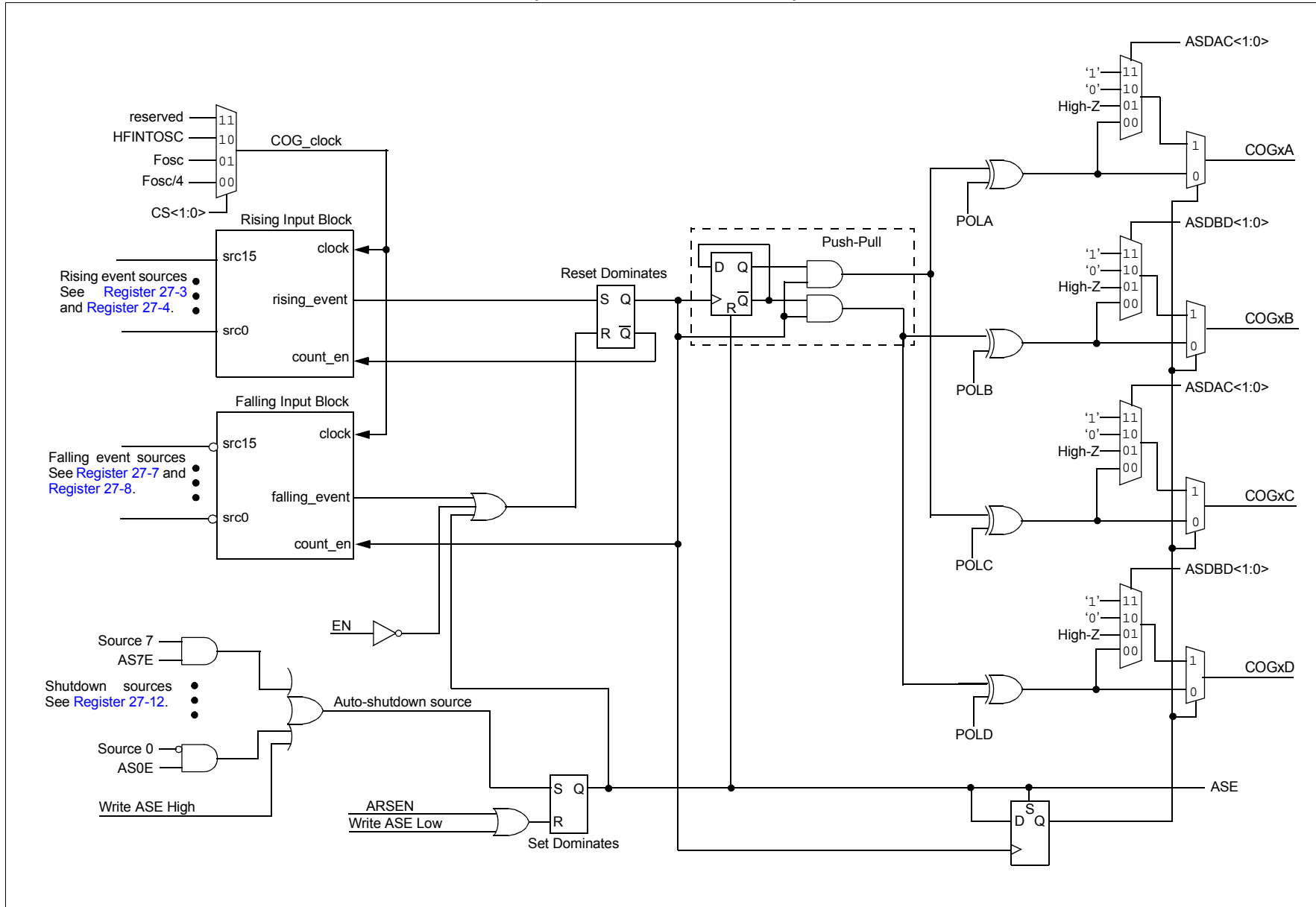


FIGURE 27-7: COG (RISING/FALLING) INPUT BLOCK

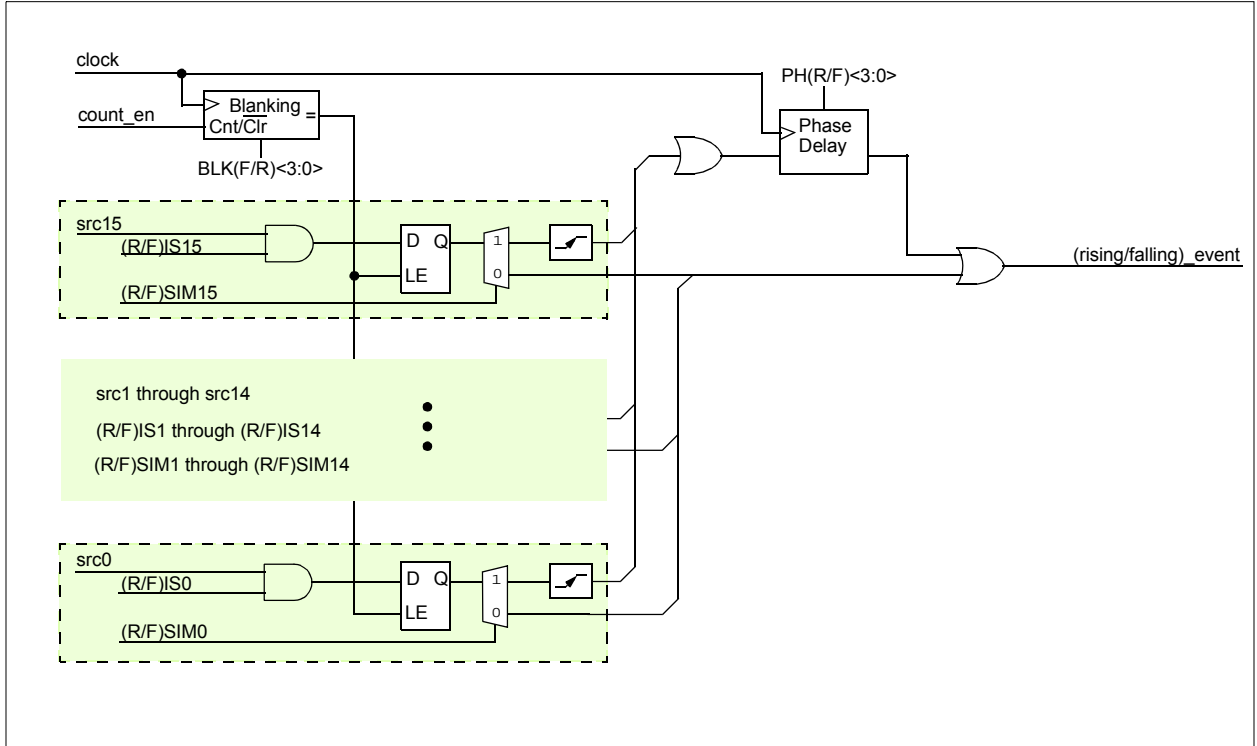
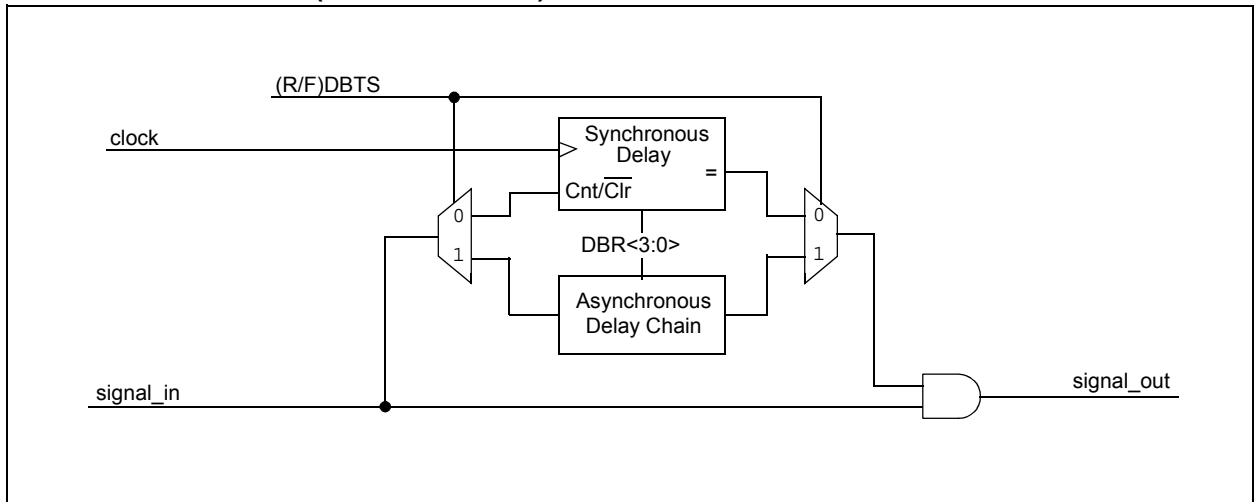


FIGURE 27-8: COG (RISING/FALLING) DEAD-BAND BLOCK



PIC16(L)F1777/8/9

FIGURE 27-9: TYPICAL HALF-BRIDGE MODE COG OPERATION WITH CCP1



FIGURE 27-10: HALF-BRIDGE MODE COG OPERATION WITH CCP1 AND PHASE DELAY



FIGURE 27-11: PUSH-PULL MODE COG OPERATION WITH CCP1



FIGURE 27-12: FULL-BRIDGE FORWARD MODE COG OPERATION WITH CCP1

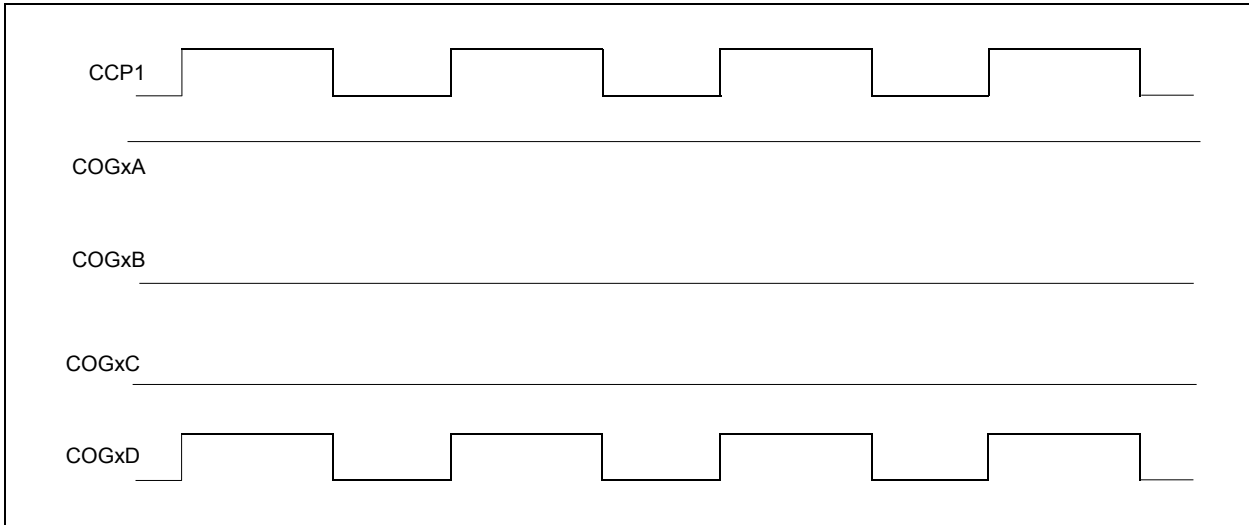
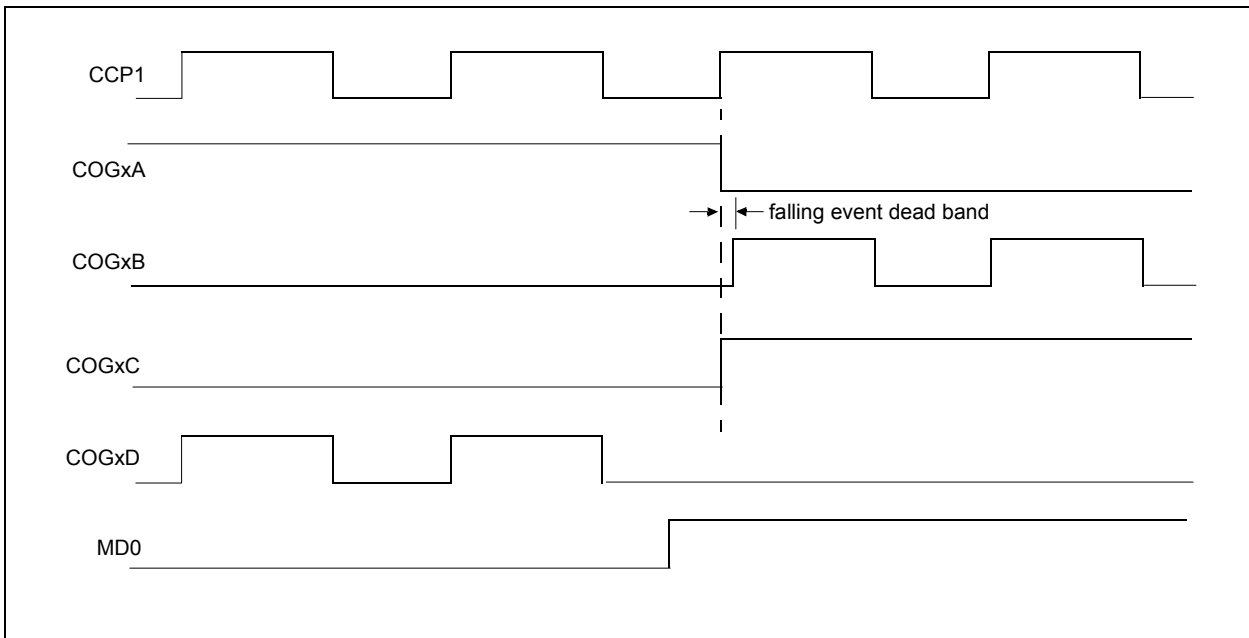


FIGURE 27-13: FULL-BRIDGE MODE COG OPERATION WITH CCP1 AND DIRECTION CHANGE



PIC16(L)F1777/8/9

27.4 Clock Sources

The COG_clock is used as the reference clock to the various timers in the peripheral. Timers that use the COG_clock include:

- Rising and falling dead-band time
- Rising and falling blanking time
- Rising and falling event phase delay

Clock sources available for selection include:

- 16 MHz HFINTOSC (active during Sleep)
- Instruction clock (Fosc/4)
- System clock (Fosc)

The clock source is selected with the CS<1:0> bits of the COGxCON0 register ([Register 27-1](#)).

27.5 Selectable Event Sources

The COG uses any combination of independently selectable event sources to generate the complementary waveform. Sources fall into two categories:

- Rising event sources
- Falling event sources

The rising event sources are selected by setting bits in the COGxRIS0 and COGxRIS1 registers ([Register 27-3](#) and [Register 27-4](#)). The falling event sources are selected by setting bits in the COGxFIS0 and COGxF1 registers ([Register 27-7](#) and [Register 27-8](#)). All selected sources are OR'd together to generate the corresponding event signal. Refer to [Figure 27-7](#).

27.5.1 EDGE VS. LEVEL SENSING

Event input detection may be selected as level or edge sensitive. The detection mode is individually selectable for every source. Rising source detection modes are selected with the COGxRSIM0 and COGxRSIM1 registers ([Register 27-5](#) and [Register 27-6](#)). Falling source detection modes are selected with the COGxFSIM0 and COGxFSIM1 registers ([Register 27-9](#) and [Register 27-10](#)). A set bit selects edge detection for the corresponding event source. A cleared bit selects level detection.

In general, events that are driven from a periodic source should be edge detected and events that are derived from voltage thresholds at the target circuit should be level sensitive. Consider the following two examples:

1. The first example is an application in which the period is determined by a 50% duty cycle clock on the rising event input and the COG output duty cycle is determined by a voltage level fed back through a comparator on the falling event input. If the clock input is level sensitive, duty cycles less than 50% will exhibit erratic operation because the level sensitive clock will suppress the comparator feedback.

2. The second example is similar to the first except that the duty cycle is close to 100%. The feedback comparator high-to-low transition trips the COG drive off, but almost immediately the period source turns the drive back on. If the off cycle is short enough, the comparator input may not reach the low side of the hysteresis band precluding an output change. The comparator output stays low and without a high-to-low transition to trigger the edge sense, the drive of the COG output will be stuck in a constant drive-on condition. See [Figure 27-14](#).

FIGURE 27-14: EDGE VS. LEVEL SENSE



27.5.2 RISING EVENT

The rising event starts the PWM output active duty cycle period. The rising event is the low-to-high transition of the rising_event output. When the rising event phase delay and dead-band time values are zero, the primary output starts immediately. Otherwise, the primary output is delayed. The rising event source causes all the following actions:

- Start rising event phase delay counter (if enabled).
- Clear complementary output after phase delay.
- Start falling event input blanking (if enabled).
- Start dead-band delay (if enabled).
- Set primary output after dead-band delay expires.

27.5.3 FALLING EVENT

The falling event terminates the PWM output active duty cycle period. The falling event is the high-to-low transition of the falling_event output. When the falling event phase delay and dead-band time values are zero, the complementary output starts immediately. Otherwise, the complementary output is delayed. The falling event source causes all the following actions:

- Start falling event phase delay counter (if enabled).
- Clear primary output.
- Start rising event input blanking (if enabled).
- Start falling event dead-band delay (if enabled).
- Set complementary output after dead-band delay expires.

27.6 Output Control

Upon disabling, or immediately after enabling the COG module, the primary COG outputs are inactive and complementary COG outputs are active.

27.6.1 OUTPUT ENABLES

There are no output enable controls in the COG module. Instead, each device pin has an individual output selection control called the PPS register. All four COG outputs are available for selection in the PPS register of every pin.

When a COG output is enabled by PPS selection, the output on the pin has several possibilities which depend on the mode, steering control, EN bit, and shutdown state as shown in [Table 27-2](#) and [Table 27-3](#).

TABLE 27-2: PIN OUTPUT STATES
MD<2:0> = 00x

EN	STR bit	Shutdown	Output
x	0	Inactive	Static steering data
x	1	Active	Shutdown override
0	1	Inactive	Inactive state
1	1	Inactive	Active PWM signal

TABLE 27-3: PIN OUTPUT STATES
MD<2:0> > 001

EN	STR bit	Shutdown	Output
x	x	Inactive	Inactive state
x	x	Active	Shutdown override
1	x	Inactive	Active PWM signal

27.6.2 POLARITY CONTROL

The polarity of each COG output can be selected independently. When the output polarity bit is set, the corresponding output is active-low. Clearing the output polarity bit configures the corresponding output as active-high. However, polarity affects the outputs in only one of the four shutdown override modes. See [Section 27.10 “Auto-Shutdown Control”](#) for more details.

Output polarity is selected with the POLA through POLD bits of the COGxCON1 register ([Register 27-2](#)).

27.7 Dead-Band Control

The dead-band control provides for non-overlapping PWM output signals to prevent shoot-through current in the external power switches. Dead-band time affects the output only in the Half-Bridge mode and when changing direction in the Full-Bridge mode.

The COG contains two dead-band timers. One dead-band timer is used for rising event dead-band control. The other is used for falling event dead-band control. Timer modes are selectable as either:

- Asynchronous delay chain
- Synchronous counter

The Dead-Band Timer mode is selected for the rising event and falling event dead-band times with the respective RDBS and FDBS bits of the COGxCON1 register ([Register 27-2](#)).

In Half-Bridge mode, the rising event dead-band time delays all selected primary outputs from going active for the selected dead-band time after the rising event. COGxA and COGxC are the primary outputs in Half-Bridge mode.

In Half-Bridge mode, the falling event dead-band time delays all selected complementary outputs from going active for the selected dead-band time after the falling event. COGxB and COGxD are the complementary outputs in Half-Bridge mode.

In Full-Bridge mode, the dead-band delay occurs only during direction changes. The modulated output is delayed for the falling event dead-band time after a direction change from forward to reverse. The modulated output is delayed for the rising event dead-band time after a direction change from reverse to forward.

PIC16(L)F1777/8/9

27.7.1 ASYNCHRONOUS DELAY CHAIN DEAD-BAND DELAY

Asynchronous dead-band delay is determined by the time it takes the input to propagate through a series of delay elements. Each delay element is a nominal five nanoseconds.

For rising event asynchronous dead-band delay set the RDBS bit of the COGxCON0 register and set the COGxDBR register ([Register 27-14](#)) value to the desired number of delay elements in the rising event dead-band time.

For falling event asynchronous dead-band delay set the FDBS bit of the COGxCON0 register and set the COGxDBF register ([Register 27-15](#)) value to the desired number of delay elements in the falling event dead-band time.

Setting the value to zero disables dead-band delay.

27.7.2 SYNCHRONOUS COUNTER DEAD-BAND DELAY

Synchronous counter dead band is timed by counting COG_clock periods from zero up to the value in the dead-band count register. Use [Equation 27-1](#) to calculate dead-band times.

For rising event synchronous dead-band delay clear the RDBS bit of the COGxCON0 register and set the COGxDBR count register value to the number of COG_clock periods in the rising event dead-band time.

For falling event synchronous dead-band delay clear the FDBS bit of the COGxCON0 register and set the COGxDBF count register value to the number of COG_clock periods in the falling event dead-band time.

When the value is zero, dead-band delay is disabled.

27.7.3 SYNCHRONOUS COUNTER DEAD-BAND TIME UNCERTAINTY

When the rising and falling events that trigger the dead-band counters come from asynchronous inputs, it creates uncertainty in the synchronous counter dead-band time. The maximum uncertainty is equal to one COG_clock period. Refer to [Example 27-1](#) for more detail.

When event input sources are asynchronous with no phase delay, use the Asynchronous Delay Chain Dead-Band mode to avoid the dead-band time uncertainty.

27.7.4 RISING EVENT DEAD BAND

Rising event dead band delays the turn-on of the primary outputs from when complementary outputs are turned off. The rising event dead-band time starts when the rising_event output goes true.

See [Section 27.7.1 “Asynchronous Delay Chain Dead-Band Delay”](#) and [Section 27.7.2 “Synchronous Counter Dead-Band Delay”](#) for more information on setting the rising edge dead-band time.

27.7.5 FALLING EVENT DEAD BAND

Falling event dead band delays the turn-on of complementary outputs from when the primary outputs are turned off. The falling event dead-band time starts when the falling_event output goes true.

See [Section 27.7.1 “Asynchronous Delay Chain Dead-Band Delay”](#) and [Section 27.7.2 “Synchronous Counter Dead-Band Delay”](#) for more information on setting the rising edge dead-band time.

27.7.6 DEAD-BAND OVERLAP

There are two cases of potential dead-band overlap:

- Rising-to-falling
- Falling-to-rising

27.7.6.1 Rising-to-Falling Overlap

In this case, the falling event occurs while the rising event dead-band counter is still counting. When this happens, the primary drives are suppressed and the dead band extends by the falling event dead-band time. At the termination of the extended dead-band time, the complementary drive goes true.

27.7.6.2 Falling-to-Rising Overlap

In this case, the rising event occurs while the falling event dead-band counter is still counting. When this happens, the complementary drive is suppressed and the dead band extends by the rising event dead-band time. At the termination of the extended dead-band time, the primary drive goes true.

27.8 Blanking Control

Input blanking is a function whereby the event inputs can be masked or blanked for a short period of time. This is to prevent electrical transients caused by the turn-on/off of power components from generating a false input event.

The COG contains two blanking counters: one triggered by the rising event and the other triggered by the falling_event. The counters are cross coupled with the events they are blanking. The falling event blanking counter is used to blank rising input events and the rising event blanking counter is used to blank falling input events. Once started, blanking extends for the time specified by the corresponding blanking counter.

Blanking is timed by counting COG_clock periods from zero up to the value in the blanking count register. Use [Equation 27-1](#) to calculate blanking times.

27.8.1 FALLING EVENT BLANKING OF RISING EVENT INPUTS

The falling event blanking counter inhibits rising event inputs from triggering a rising event. The falling event blanking time starts when the rising_event output drive goes false.

The falling event blanking time is set by the value contained in the COGxBLKF register ([Register 27-17](#)). Blanking times are calculated using the formula shown in [Equation 27-1](#).

When the COGxBLKF value is zero, falling event blanking is disabled and the blanking counter output is true, thereby, allowing the event signal to pass straight through to the event trigger circuit.

27.8.2 RISING EVENT BLANKING OF FALLING EVENT INPUTS

The rising event blanking counter inhibits falling event inputs from triggering a falling event. The rising event blanking time starts when the falling_event output drive goes false.

The rising event blanking time is set by the value contained in the COGxBLKR register ([Register 27-16](#)).

When the COGxBLKR value is zero, rising event blanking is disabled and the blanking counter output is true, thereby, allowing the event signal to pass straight through to the event trigger circuit.

27.8.3 BLANKING TIME UNCERTAINTY

When the rising and falling sources that trigger the blanking counters are asynchronous to the COG_clock, it creates uncertainty in the blanking time. The maximum uncertainty is equal to one COG_clock period. Refer to [Equation 27-1](#) and [Example 27-1](#) for more detail.

27.9 Phase Delay

It is possible to delay the assertion of either or both the rising event and falling events. This is accomplished by placing a non-zero value in COGxPHR or COGxPHF phase-delay count registers, respectively ([Register 27-18](#) and [Register 27-19](#)). Refer to [Figure 27-10](#) for COG operation with CCP1 and phase delay. The delay from the input rising event signal switching to the actual assertion of the events is calculated the same as the dead-band and blanking delays. Refer to [Equation 27-1](#).

When the phase-delay count value is zero, phase delay is disabled and the phase-delay counter output is true, thereby, allowing the event signal to pass straight through to the complementary output driver flop.

27.9.1 CUMULATIVE UNCERTAINTY

It is not possible to create more than one COG_clock of uncertainty by successive stages. Consider that the phase-delay stage comes after the blanking stage, the dead-band stage comes after either the blanking or phase-delay stages, and the blanking stage comes after the dead-band stage. When the preceding stage is enabled, the output of that stage is necessarily synchronous with the COG_clock, which removes any possibility of uncertainty in the succeeding stage.

EQUATION 27-1: PHASE, DEAD-BAND, AND BLANKING TIME CALCULATION

$$T_{\min} = \frac{\text{Count}}{F_{\text{COG_clock}}}$$

$$T_{\max} = \frac{\text{Count} + 1}{F_{\text{COG_clock}}}$$

$$T_{\text{uncertainty}} = T_{\max} - T_{\min}$$

Also:

$$T_{\text{uncertainty}} = \frac{1}{F_{\text{COG_clock}}}$$

Where:

T	Count
Rising Phase Delay	COGxPHR
Falling Phase Delay	COGxPHF
Rising dead band	COGxDBR
Falling dead band	COGxDBF
Rising Event Blanking	COGxBLKR
Falling Event Blanking	COGxBLKF

PIC16(L)F1777/8/9

EXAMPLE 27-1: TIMER UNCERTAINTY

Given:

$$\text{Count} = Ah = 10d$$

$$F_{\text{COG_Clock}} = 8\text{MHz}$$

Therefore:

$$\begin{aligned} T_{\text{uncertainty}} &= \frac{1}{F_{\text{COG_clock}}} \\ &= \frac{1}{8\text{MHz}} = 125\text{ns} \end{aligned}$$

Proof:

$$\begin{aligned} T_{\text{min}} &= \frac{\text{Count}}{F_{\text{COG_clock}}} \\ &= 125\text{ns} \cdot 10d = 1.25\mu\text{s} \end{aligned}$$

$$\begin{aligned} T_{\text{max}} &= \frac{\text{Count} + 1}{F_{\text{COG_clock}}} \\ &= 125\text{ns} \cdot (10d + 1) \\ &= 1.375\mu\text{s} \end{aligned}$$

Therefore:

$$\begin{aligned} T_{\text{uncertainty}} &= T_{\text{max}} - T_{\text{min}} \\ &= 1.375\mu\text{s} - 1.25\mu\text{s} \\ &= 125\text{ns} \end{aligned}$$

27.10 Auto-Shutdown Control

Auto-shutdown is a method to immediately override the COG output levels with specific overrides that allow for safe shutdown of the circuit.

The shutdown state can be either cleared automatically or held until cleared by software. In either case, the shutdown overrides remain in effect until the first rising event after the shutdown is cleared.

27.10.1 SHUTDOWN

The shutdown state can be entered by either of the following two mechanisms:

- Software generated
- External Input

27.10.1.1 Software Generated Shutdown

Setting the ASE bit of the COGxASD0 register ([Register 27-11](#)) will force the COG into the shutdown state.

When auto-restart is disabled, the shutdown state will persist until the first rising event after the ASE bit is cleared by software.

When auto-restart is enabled, the ASE bit will clear automatically and resume operation on the first rising event after the shutdown input clears. See [Figure 27-15](#) and [Section 27.10.3.2 “Auto-Restart”](#).

27.10.1.2 External Shutdown Source

External shutdown inputs provide the fastest way to safely suspend COG operation in the event of a Fault condition. When any of the selected shutdown inputs go true, the output drive latches are reset and the COG outputs immediately go to the selected override levels without software delay.

Any combination of the input sources can be selected to cause a shutdown condition. Shutdown occurs when the selected source is low. Shutdown input sources include:

- Any input pin selected with the COGxINPPS control
- Comparator 1
- Comparator 2
- Comparator 3
- Comparator 4
- CLC2 output/CLC4 output
- Timer2 output/Timer6 output
- Timer4 output/Timer8 output

Shutdown inputs are selected independently with bits of the COGxASD1 register ([Register 27-12](#)).

Note: Shutdown inputs are level sensitive, not edge sensitive. The shutdown state cannot be cleared as long as the shutdown input level persists, except by disabling auto-shutdown,

27.10.2 PIN OVERRIDE LEVELS

The levels driven to the output pins, while the shutdown is active, are controlled by the ASDAC<1:0> and ASDBC<1:0> bits of the COGxASD0 register ([Register 27-11](#)). ASDAC<1:0> controls the COGxA and COGxC override levels and ASDBC<1:0> controls the COGxB and COGxD override levels. There are four override options for each output pair:

- Forced low
- Forced high
- Tri-state
- PWM inactive state (same state as that caused by a falling event)

Note: The polarity control does not apply to the forced low and high override levels but does apply to the PWM inactive state.

27.10.3 AUTO-SHUTDOWN RESTART

After an auto-shutdown event has occurred, there are two ways to resume operation:

- Software controlled
- Auto-restart

The restart method is selected with the ARSEN bit of the COGxASD0 register. Waveforms of a software controlled automatic restart are shown in [Figure 27-15](#).

27.10.3.1 Software Controlled Restart

When the ARSEN bit of the COGxASD0 register is cleared, software must clear the ASE bit to restart COG operation after an auto-shutdown event.

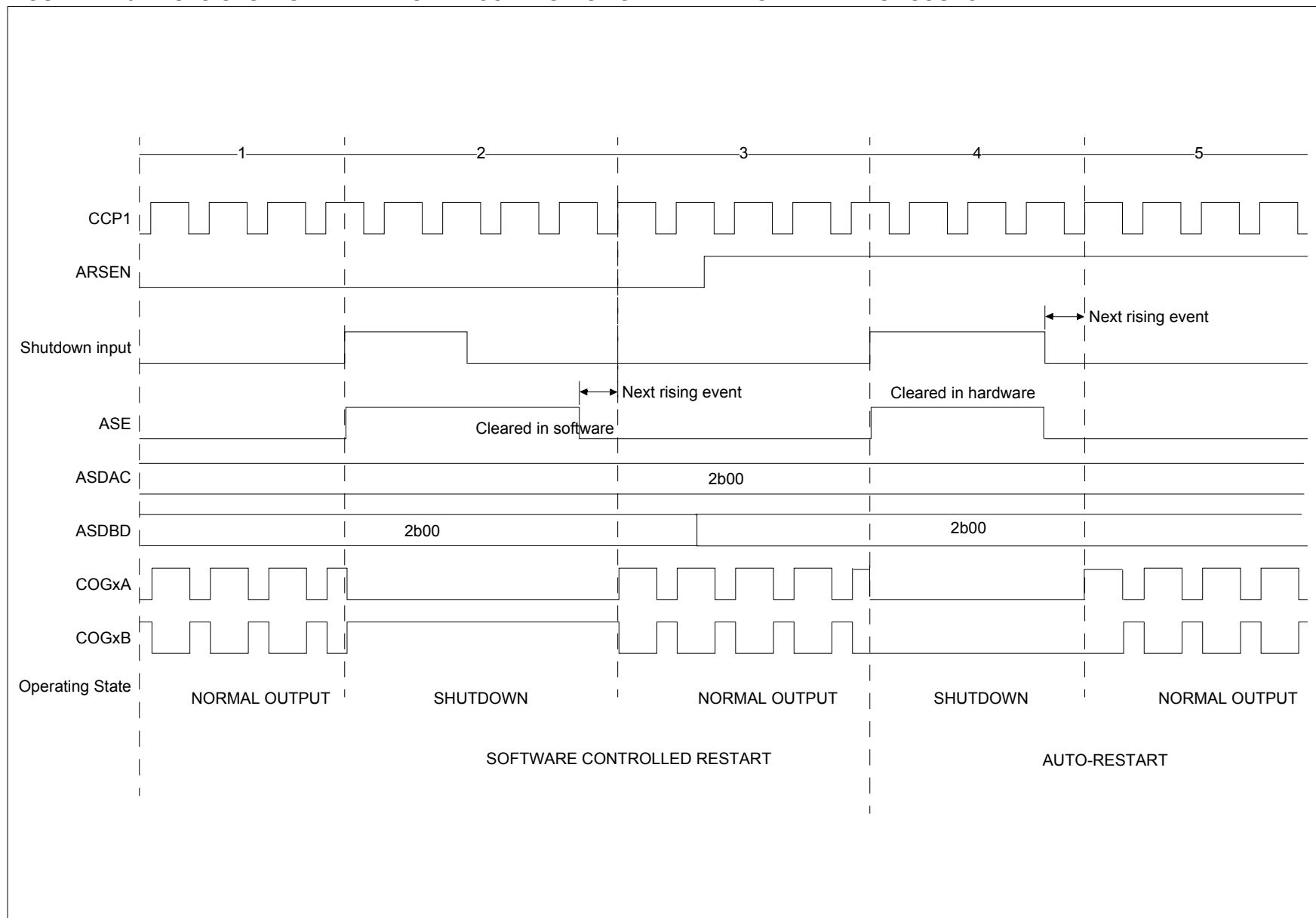
The COG will resume operation on the first rising event after the ASE bit is cleared. Clearing the shutdown state requires all selected shutdown inputs to be false, otherwise, the ASE bit will remain set.

27.10.3.2 Auto-Restart

When the ARSEN bit of the COGxASD0 register is set, the COG will restart from the auto-shutdown state automatically.

The ASE bit will clear automatically and the COG will resume operation on the first rising event after all selected shutdown inputs go false.

FIGURE 27-15: AUTO-SHUTDOWN WAVEFORM – CCP1 AS RISING AND FALLING EVENT INPUT SOURCE



27.11 Buffer Updates

Changes to the phase, dead-band, and blanking count registers need to occur simultaneously during COG operation to avoid unintended operation that may occur as a result of delays between each register write. This is accomplished with the LD bit of the COGxCON0 register and double buffering of the phase, blanking and dead-band count registers.

Before the COG module is enabled, writing the count registers loads the count buffers without need of the LD bit. However, when the COG is enabled, the count buffer updates are suspended after writing the count registers until after the LD bit is set. When the LD bit is set, the phase, dead-band and blanking register values are transferred to the corresponding buffers synchronous with COG operation. The LD bit is cleared by hardware when the transfer is complete.

27.12 Input and Output Pin Selection

The COG has one selection for an input from a device pin. That one input can be used as rising and falling event source or a fault source. The COGxINPPS register is used to select the pin. Refer to registers xxxPPS ([Register 12-1](#)) and RxyPPS ([Register 12-2](#)).

The pin PPS control registers are used to enable the COG outputs. Any combination of outputs to pins is possible including multiple pins for the same output. See the RxyPPS control register and [Section 12.2 “PPS Outputs”](#) for more details.

27.13 Operation During Sleep

The COG continues to operate in Sleep provided that the COG_clock, rising event, and falling event sources remain active.

The HFINTSOC remains active during Sleep when the COG is enabled and the HFINTOSC is selected as the COG_clock source.

27.14 Configuring the COG

The following steps illustrate how to properly configure the COG to ensure a synchronous start with the rising event input:

1. If a pin is to be used for the COG fault or event input, use the COGxINPPS register to configure the desired pin.
2. Clear all ANSEL register bits associated with pins that are used for COG functions.
3. Ensure that the TRIS control bits corresponding to the COG outputs to be used are set so that all are configured as inputs. The COG module will enable the output drivers as needed later.
4. Clear the EN bit, if not already cleared.
5. Set desired dead-band times with the COGxDBR and COGxDBF registers and select the source with the RDBS and FDBS bits of the COGxCON1 register.
6. Set desired blanking times with the COGxBLKR and COGxBLKF registers.
7. Set desired phase delay with the COGxPHR and COGxPHF registers.
8. Select the desired shutdown sources with the COGxASD1 register.
9. Setup the following controls in COGxASD0 auto-shutdown register:
 - Select both output override controls to the desired levels (this is necessary, even if not using auto-shutdown because start-up will be from a shutdown state).
 - Set the ASE bit and clear the ARSEN bit.
10. Select the desired rising and falling event sources with the COGxRIS0, COGxRIS1, COGxFIS0, and COGxFIS1 registers.
11. Select the desired rising and falling event modes with the COGxRSIM0, COGxRSIM1, COGxFSIM0, and COGxFSIM1 registers.
12. Configure the following controls in the COGxCON1 register:
 - Set the polarity for each output
 - Select the desired dead-band timing sources
13. Configure the following controls in the COGxCON0 register:
 - Set the desired operating mode
 - Select the desired clock source
14. If one of the steering modes is selected then configure the following controls in the COGxSTR register:
 - Set the steering bits of the outputs to be used.
 - Set the desired static levels.
15. Set the EN bit.
16. Set the pin PPS controls to direct the COG outputs to the desired pins.
17. If auto-restart is to be used, set the ARSEN bit and the ASE will be cleared automatically. Otherwise, clear the ASE bit to start the COG.

PIC16(L)F1777/8/9

27.15 Register Definitions: COG Control

Long bit name prefixes for the COG peripherals are shown in [Table 27-4](#). Refer to [Section 1.1 “Register and Bit naming conventions”](#) for more information

TABLE 27-4:

Peripheral	Bit Name Prefix
COG1	G1
COG2	G2
COG3	G3
COG4 ⁽¹⁾	G4

Note 1: PIC16(L)F1777/9 only.

REGISTER 27-1: COG_xCON0: COG CONTROL REGISTER 0

R/W-0/0	R/W-0/0	U-0	R/W-0/0	R/W-0/0	R/W-0/0	R/W-0/0	R/W-0/0
EN	LD	—	CS<1:0>			MD<2:0>	
bit 7							bit 0

Legend:

R = Readable bit	W = Writable bit	U = Unimplemented bit, read as '0'
u = Bit is unchanged	x = Bit is unknown	-n/n = Value at POR and BOR/Value at all other Resets
'1' = Bit is set	'0' = Bit is cleared	q = Value depends on condition

- bit 7 **EN:** COG_x Enable bit
 1 = Module is enabled
 0 = Module is disabled
- bit 6 **LD:** COG_x Load Buffers bit
 1 = Phase, blanking, and dead-band buffers to be loaded with register values on next input events
 0 = Register to buffer transfer is complete
- bit 5 **Unimplemented:** Read as '0'
- bit 4-3 **CS<1:0>:** COG_x Clock Selection bits
 11 = Reserved. Do not use.
 10 = COG_clock is HFINTOSC (stays active during Sleep)
 01 = COG_clock is FOSC
 00 = COG_clock is FOSC/4
- bit 2-0 **MD<2:0>:** COG_x Mode Selection bits
 11x = Reserved. Do not use.
 101 = COG outputs operate in Push-Pull mode
 100 = COG outputs operate in Half-Bridge mode
 011 = COG outputs operate in Reverse Full-Bridge mode
 010 = COG outputs operate in Forward Full-Bridge mode
 001 = COG outputs operate in synchronous steered PWM mode
 000 = COG outputs operate in steered PWM mode

REGISTER 27-2: COGxCON1: COG CONTROL REGISTER 1

R/W-0/0	R/W-0/0	U-0	U-0	R/W-0/0	R/W-0/0	R/W-0/0	R/W-0/0
RDBS	FDBS	—	—	POLD	POLC	POLB	POLA
bit 7							bit 0

Legend:

R = Readable bit	W = Writable bit	U = Unimplemented bit, read as '0'
u = Bit is unchanged	x = Bit is unknown	-n/n = Value at POR and BOR/Value at all other Resets
'1' = Bit is set	'0' = Bit is cleared	q = Value depends on condition

- bit 7 **RDBS:** COGx Rising Event Dead-band Timing Source Select bit
 - 1 = Delay chain and COGxDBR are used for dead-band timing generation
 - 0 = COGx_clock and COGxDBR are used for dead-band timing generation
- bit 6 **FDBS:** COGx Falling Event Dead-band Timing Source select bit
 - 1 = Delay chain and COGxDBF are used for dead-band timing generation
 - 0 = COGx_clock and COGxDBF are used for dead-band timing generation
- bit 5-4 **Unimplemented:** Read as '0'
- bit 3 **POLD:** COGxD Output Polarity Control bit
 - 1 = Active level of COGxD output is low
 - 0 = Active level of COGxD output is high
- bit 2 **POLC:** COGxC Output Polarity Control bit
 - 1 = Active level of COGxC output is low
 - 0 = Active level of COGxC output is high
- bit 1 **POLB:** COGxB Output Polarity Control bit
 - 1 = Active level of COGxB output is low
 - 0 = Active level of COGxB output is high
- bit 0 **POLA:** COGxA Output Polarity Control bit
 - 1 = Active level of COGxA output is low
 - 0 = Active level of COGxA output is high

PIC16(L)F1777/8/9

REGISTER 27-3: COGxRIS0: COG RISING EVENT INPUT SELECTION REGISTER

R/W-0/0	R/W-0/0	R/W-0/0	R/W-0/0	R/W-0/0	R/W-0/0	R/W-0/0	R/W-0/0
RIS7	RIS6	RIS5	RIS4	RIS3	RIS2	RIS1	RIS0
bit 7							bit 0

Legend:

R = Readable bit	W = Writable bit	U = Unimplemented bit, read as '0'
u = Bit is unchanged	x = Bit is unknown	-n/n = Value at POR and BOR/Value at all other Resets
'1' = Bit is set	'0' = Bit is cleared	q = Value depends on condition

bit 7-0 **RIS<7:0>**: Source Rising Event Input <n> Source Enable bits⁽¹⁾. See [Table 27-5](#).

- 1 = Source <n> output is enabled as a rising event input
- 0 = Source <n> output has no effect on the rising event

Note 1: Any combination of <n> bits can be selected.

REGISTER 27-4: COGxRIS1: COG RISING EVENT INPUT SELECTION REGISTER

R/W-0/0	R/W-0/0	R/W-0/0	R/W-0/0	R/W-0/0	R/W-0/0	R/W-0/0	R/W-0/0
RIS15	RIS14	RIS13	RIS12	RIS11	RIS10	RIS9	RIS8
bit 7							bit 0

Legend:

R = Readable bit	W = Writable bit	U = Unimplemented bit, read as '0'
u = Bit is unchanged	x = Bit is unknown	-n/n = Value at POR and BOR/Value at all other Resets
'1' = Bit is set	'0' = Bit is cleared	q = Value depends on condition

bit 15-8 **RIS<15:8>**: COGx Rising Event Input <n> Source Enable bits⁽¹⁾. See [Table 27-5](#).

- 1 = Source <n> output is enabled as a rising event input
- 0 = Source <n> output has no effect on the rising event

Note 1: Any combination of <n> bits can be selected.

TABLE 27-5: RISING/FALLING EVENT INPUT SOURCES

Bit <n>	COG1	COG2	COG3 ⁽¹⁾	COG3 ⁽²⁾	COG4 ⁽¹⁾
15	LC4_out	LC4_out	LC4_out	LC4_out	LC4_out
14	LC3_out	LC3_out	LC3_out	LC3_out	LC3_out
13	LC2_out	LC2_out	LC2_out	LC2_out	LC2_out
12	LC1_out	LC1_out	LC1_out	LC1_out	LC1_out
11	MD1_out	MD2_out	MD3_out	MD3_out	MD4_out
10	PWM6_output	PWM6_output	PWM12_output	Reserved	PWM12_output
9	PWM5_output	PWM5_output	PWM11_output	PWM11_output	PWM11_output
8	PWM4_output	PWM4_output	PWM10_output	Reserved	PWM10_output
7	PWM3_output	PWM3_output	PWM9_output	PWM9_output	PWM9_output
6	CCP2_out	CCP2_out	CCP8_out	CCP7_out	CCP8_out
5	CCP1_out	CCP1_out	CCP7_out	CCP1_out	CCP7_out
4	sync_CM4_out	sync_CM4_out	sync_CM8_out	sync_CM6_out	sync_CM8_out
3	sync_CM3_out	sync_CM3_out	sync_CM7_out	sync_CM5_out	sync_CM7_out
2	sync_CM2_out	sync_CM2_out	sync_CM6_out	sync_CM2_out	sync_CM6_out
1	sync_CM1_out	sync_CM1_out	sync_CM5_out	sync_CM1_out	sync_CM5_out
0	Pin selected with COG1PPS	Pin selected with COG2PPS	Pin selected with COG3PPS	Pin selected with COG3PPS	Pin selected with COG4PPS

Note 1: PIC16(L)F1777/9 only.
Note 2: PIC16(L)F1778 only.

REGISTER 27-5: COG_xRSIM0: COG RISING EVENT SOURCE INPUT MODE REGISTER

R/W-0/0	R/W-0/0	R/W-0/0	R/W-0/0	R/W-0/0	R/W-0/0	R/W-0/0	R/W-0/0
RSIM7	RSIM6	RSIM5	RSIM4	RSIM3	RSIM2	RSIM1	RSIM0
bit 7							bit 0

Legend:

R = Readable bit	W = Writable bit	U = Unimplemented bit, read as '0'
u = Bit is unchanged	x = Bit is unknown	-n/n = Value at POR and BOR/Value at all other Resets
'1' = Bit is set	'0' = Bit is cleared	q = Value depends on condition

bit 7-0 **RSIM<7:0>**: Rising Event Input Source <n> Mode bits⁽¹⁾. See [Table 27-5](#).
RSIM<n> = 1:
 1 = Source <n> output low-to-high transition will cause a rising event after rising event phase delay
 0 = Source <n> output high level will cause an immediate rising event
RSIM<n> = 0:
 Source <n> output has no effect on rising event

Note 1: Any combination of <n> bits can be selected.

REGISTER 27-6: COG_xRSIM1: COG RISING EVENT SOURCE INPUT MODE REGISTER

R/W-0/0	R/W-0/0	R/W-0/0	R/W-0/0	R/W-0/0	R/W-0/0	R/W-0/0	R/W-0/0
RSIM15	RSIM14	RSIM13	RSIM12	RSIM11	RSIM10	RSIM9	RSIM8
bit 7							bit 0

Legend:

R = Readable bit	W = Writable bit	U = Unimplemented bit, read as '0'
u = Bit is unchanged	x = Bit is unknown	-n/n = Value at POR and BOR/Value at all other Resets
'1' = Bit is set	'0' = Bit is cleared	q = Value depends on condition

bit 15-8 **RSIM<15:8>**: Rising Event Input Source <n> Mode bits⁽¹⁾. See [Table 27-5](#).
RSIM<n> = 1:
 1 = Source <n> output low-to-high transition will cause a rising event after rising event phase delay
 0 = Source <n> output high level will cause an immediate rising event
RSIM<n> = 0:
 Source <n> output has no effect on rising event

Note 1: Any combination of <n> bits can be selected.

PIC16(L)F1777/8/9

REGISTER 27-7: COGxFIS0: COG FALLING EVENT INPUT SELECTION REGISTER

R/W-0/0	R/W-0/0	R/W-0/0	R/W-0/0	R/W-0/0	R/W-0/0	R/W-0/0	R/W-0/0
FIS7	FIS6	FIS5	FIS4	FIS3	FIS2	FIS1	FIS0
bit 7							bit 0

Legend:

R = Readable bit	W = Writable bit	U = Unimplemented bit, read as '0'
u = Bit is unchanged	x = Bit is unknown	-n/n = Value at POR and BOR/Value at all other Resets
'1' = Bit is set	'0' = Bit is cleared	q = Value depends on condition

bit 7-0 **FIS<7:0>**: Falling Event Input Source <n> Enable bits⁽¹⁾. See [Table 27-5](#).

- 1 = Source <n> output is enabled as a falling event input
- 0 = Source <n> output has no effect on the falling event

Note 1: Any combination of <n> bits can be selected.

REGISTER 27-8: COGxFIS1: COG FALLING EVENT INPUT SELECTION REGISTER

R/W-0/0	R/W-0/0	R/W-0/0	R/W-0/0	R/W-0/0	R/W-0/0	R/W-0/0	R/W-0/0
FIS15	FIS14	FIS13	FIS12	FIS11	FIS10	FIS9	FIS8
bit 7							bit 0

Legend:

R = Readable bit	W = Writable bit	U = Unimplemented bit, read as '0'
u = Bit is unchanged	x = Bit is unknown	-n/n = Value at POR and BOR/Value at all other Resets
'1' = Bit is set	'0' = Bit is cleared	q = Value depends on condition

bit 15-8 **FIS<15:8>**: Falling Event Input Source <n> Enable bits⁽¹⁾. See [Table 27-5](#).

- 1 = Source <n> output is enabled as a falling event input
- 0 = Source <n> output has no effect on the falling event

Note 1: Any combination of <n> bits can be selected.

REGISTER 27-9: COGxFSIM0: COG FALLING EVENT SOURCE INPUT MODE REGISTER

R/W-0/0	R/W-0/0	R/W-0/0	R/W-0/0	R/W-0/0	R/W-0/0	R/W-0/0	R/W-0/0
FSIM7	FSIM6	FSIM5	FSIM4	FSIM3	FSIM2	FSIM1	FSIM0
bit 7							bit 0

Legend:

R = Readable bit	W = Writable bit	U = Unimplemented bit, read as '0'
u = Bit is unchanged	x = Bit is unknown	-n/n = Value at POR and BOR/Value at all other Resets
'1' = Bit is set	'0' = Bit is cleared	q = Value depends on condition

bit 7-0 **FSIM<7:0>**: Falling Event Input Source <n> Mode bits⁽¹⁾. See [Table 27-5](#).
FSIM<n> = 1:
 1 = Source <n> output high-to-low transition will cause a falling event after falling event phase delay
 0 = Source <n> output low level will cause an immediate falling event
FSIM<n> = 0:
 Source <n> output has no effect on falling event

Note 1: Any combination of <n> bits can be selected.

REGISTER 27-10: COGxFSIM1: COG FALLING EVENT SOURCE INPUT MODE REGISTER

R/W-0/0	R/W-0/0	R/W-0/0	R/W-0/0	R/W-0/0	R/W-0/0	R/W-0/0	R/W-0/0
FSIM15	FSIM14	FSIM13	FSIM12	FSIM11	FSIM10	FSIM9	FSIM8
bit 7							bit 0

Legend:

R = Readable bit	W = Writable bit	U = Unimplemented bit, read as '0'
u = Bit is unchanged	x = Bit is unknown	-n/n = Value at POR and BOR/Value at all other Resets
'1' = Bit is set	'0' = Bit is cleared	q = Value depends on condition

bit 15-8 **FSIM<15:8>**: Falling Event Input Source <n> Mode bits⁽¹⁾. See [Table 27-5](#).
FSIM<n> = 1:
 1 = Source <n> output high-to-low transition will cause a falling event after falling event phase delay
 0 = Source <n> output low level will cause an immediate falling event
FSIM<n> = 0:
 Source <n> output has no effect on falling event

Note 1: Any combination of <n> bits can be selected.

PIC16(L)F1777/8/9

REGISTER 27-11: COGxASD0: COG AUTO-SHUTDOWN CONTROL REGISTER 0

R/W-0/0	R/W-0/0	R/W-0/0	R/W-1/1	R/W-0/0	R/W-1/1	U-0	U-0
ASE	ARSEN	ASDBD<1:0>		ASDAC<1:0>		—	—
bit 7						bit 0	

Legend:

R = Readable bit	W = Writable bit	U = Unimplemented bit, read as '0'
u = Bit is unchanged	x = Bit is unknown	-n/n = Value at POR and BOR/Value at all other Resets
'1' = Bit is set	'0' = Bit is cleared	q = Value depends on condition

- bit 7 **ASE:** Auto-Shutdown Event Status bit
 1 = COG is in the shutdown state
 0 = COG is either not in the shutdown state or will exit the shutdown state on the next rising event
- bit 6 **ARSEN:** Auto-Restart Enable bit
 1 = Auto-restart is enabled
 0 = Auto-restart is disabled
- bit 5-4 **ASDBD<1:0>:** COGxB and COGxD Auto-shutdown Override Level Select bits
 11 = A logic '1' is placed on COGxB and COGxD when shutdown is active
 10 = A logic '0' is placed on COGxB and COGxD when shutdown is active
 01 = COGxB and COGxD are tri-stated when shutdown is active
 00 = The inactive state of the pin, including polarity, is placed on COGxB and COGxD when shutdown is active
- bit 3-2 **ASDAC<1:0>:** COGxA and COGxC Auto-shutdown Override Level Select bits
 11 = A logic '1' is placed on COGxA and COGxC when shutdown is active
 10 = A logic '0' is placed on COGxA and COGxC when shutdown is active
 01 = COGxA and COGxC are tri-stated when shutdown is active
 00 = The inactive state of the pin, including polarity, is placed on COGxA and COGxC when shutdown is active
- bit 1-0 **Unimplemented:** Read as '0'

REGISTER 27-12: COGxASD1: COG AUTO-SHUTDOWN CONTROL REGISTER 1

R/W-0/0	R/W-0/0	R/W-0/0	R/W-0/0	R/W-0/0	R/W-0/0	R/W-0/0	R/W-0/0
AS7E	AS6E	AS5E	AS4E	AS3E	AS2E	AS1E	AS0E
bit 7							bit 0

Legend:

R = Readable bit	W = Writable bit	U = Unimplemented bit, read as '0'
u = Bit is unchanged	x = Bit is unknown	-n/n = Value at POR and BOR/Value at all other Resets
'1' = Bit is set	'0' = Bit is cleared	q = Value depends on condition

bit 7-0 **AS<7:0>E**: Auto-shutdown Source <n> Enable bits⁽¹⁾. See [Table 27-6](#).

1 = COGx is shutdown when source <n> output is low

0 = Source <n> has no effect on shutdown

Note 1: Any combination of <n> bits can be selected.

TABLE 27-6: AUTO-SHUTDOWN SOURCES

Bit <n>	COG1	COG2	COG3 ⁽²⁾	COG3 ⁽³⁾	COG4 ⁽²⁾
7	TMR4_postscaled ⁽¹⁾	TMR4_postscaled ⁽¹⁾	TMR8_postscaled ⁽¹⁾	TMR8_postscaled ⁽¹⁾	TMR8_postscaled ⁽¹⁾
6	TMR2_postscaled ⁽¹⁾	TMR2_postscaled ⁽¹⁾	TMR6_postscaled ⁽¹⁾	TMR6_postscaled ⁽¹⁾	TMR6_postscaled ⁽¹⁾
5	LC2_out	LC2_out	LC4_out	LC4_out	LC4_out
4	sync_CM4_out	sync_CM4_out	sync_CM8_out	sync_CM6_out	sync_CM8_out
3	sync_CM3_out	sync_CM3_out	sync_CM7_out	sync_CM5_out	sync_CM7_out
2	sync_CM2_out	sync_CM2_out	sync_CM6_out	sync_CM2_out	sync_CM6_out
1	sync_CM1_out	sync_CM1_out	sync_CM5_out	sync_CM1_out	sync_CM5_out
0	Pin selected by COG1PPS	Pin selected by COG2PPS	Pin selected by COG3PPS	Pin selected by COG3PPS	Pin selected by COG4PPS

Note 1: Shutdown when source is high.

Note 2: PIC16(L)F1777/9 only.

Note 3: PIC16(L)F1778 only.

PIC16(L)F1777/8/9

REGISTER 27-13: COG_xSTR: COG STEERING CONTROL REGISTER 1⁽¹⁾

R/W-0/0	R/W-0/0	R/W-0/0	R/W-0/0	R/W-0/0	R/W-0/0	R/W-0/0	R/W-0/0
SDATD	SDATC	SDATB	SDATA	STRD	STRC	STRB	STRA
bit 7							bit 0

Legend:

R = Readable bit	W = Writable bit	U = Unimplemented bit, read as '0'
u = Bit is unchanged	x = Bit is unknown	-n/n = Value at POR and BOR/Value at all other Resets
'1' = Bit is set	'0' = Bit is cleared	q = Value depends on condition

- bit 7 **SDATD:** COG_xD Static Output Data bit
1 = COG_xD static data is high
0 = COG_xD static data is low
- bit 6 **SDATC:** COG_xC Static Output Data bit
1 = COG_xC static data is high
0 = COG_xC static data is low
- bit 5 **SDATB:** COG_xB Static Output Data bit
1 = COG_xB static data is high
0 = COG_xB static data is low
- bit 4 **SDATA:** COG_xA Static Output Data bit
1 = COG_xA static data is high
0 = COG_xA static data is low
- bit 3 **STRD:** COG_xD Steering Control bit
1 = COG_xD output has the COG_xD waveform with polarity control from POLD bit
0 = COG_xD output is the static data level determined by the SDATD bit
- bit 2 **STRC:** COG_xC Steering Control bit
1 = COG_xC output has the COG_xC waveform with polarity control from POLC bit
0 = COG_xC output is the static data level determined by the SDATC bit
- bit 1 **STRB:** COG_xB Steering Control bit
1 = COG_xB output has the COG_xB waveform with polarity control from POLB bit
0 = COG_xB output is the static data level determined by the SDATB bit
- bit 0 **STRA:** COG_xA Steering Control bit
1 = COG_xA output has the COG_xA waveform with polarity control from POLA bit
0 = COG_xA output is the static data level determined by the SDATA bit

Note 1: Steering is active only when the MD<1:0> bits of the COG_xCON0 register = 00_x. (See [Register 27-1](#)).

REGISTER 27-14: COGxDBR: COG RISING EVENT DEAD-BAND COUNT REGISTER

U-0	U-0	R/W-0/0	R/W-0/0	R/W-0/0	R/W-0/0	R/W-0/0	R/W-0/0
		DBR<5:0>					
bit 7							bit 0

Legend:

R = Readable bit	W = Writable bit	U = Unimplemented bit, read as '0'
u = Bit is unchanged	x = Bit is unknown	-n/n = Value at POR and BOR/Value at all other Resets
'1' = Bit is set	'0' = Bit is cleared	q = Value depends on condition

bit 7-6 **Unimplemented:** Read as '0'

bit 5-0 **DBR<5:0>:** Rising Event Dead-Band Count Value bits

RDBS = 1:

= Number of delay chain element periods to delay primary output after rising event

RDBS = 0:

= Number of COGx clock periods to delay primary output after rising event

REGISTER 27-15: COGxDBF: COG FALLING EVENT DEAD-BAND COUNT REGISTER

U-0	U-0	R/W-0/0	R/W-0/0	R/W-0/0	R/W-0/0	R/W-0/0	R/W-0/0
		DBF<5:0>					
bit 7							bit 0

Legend:

R = Readable bit	W = Writable bit	U = Unimplemented bit, read as '0'
u = Bit is unchanged	x = Bit is unknown	-n/n = Value at POR and BOR/Value at all other Resets
'1' = Bit is set	'0' = Bit is cleared	q = Value depends on condition

bit 7-6 **Unimplemented:** Read as '0'

bit 5-0 **DBF<5:0>:** Falling Event Dead-Band Count Value bits

FDBS = 1:

= Number of delay chain element periods to delay complementary output after falling event input

FDBS = 0:

= Number of COGx clock periods to delay complementary output after falling event input

PIC16(L)F1777/8/9

REGISTER 27-16: COG_xBLKR: COG RISING EVENT BLANKING COUNT REGISTER

U-0	U-0	R/W-x/u	R/W-x/u	R/W-x/u	R/W-x/u	R/W-x/u	R/W-x/u	
		BLKR<5:0>						
bit 7								bit 0

Legend:

R = Readable bit	W = Writable bit	U = Unimplemented bit, read as '0'
u = Bit is unchanged	x = Bit is unknown	-n/n = Value at POR and BOR/Value at all other Resets
'1' = Bit is set	'0' = Bit is cleared	q = Value depends on condition

bit 7-6 **Unimplemented:** Read as '0'

bit 5-0 **BLKR<5:0>:** Rising Event Blanking Count Value bits
 = Number of COG_x clock periods to inhibit falling event inputs

REGISTER 27-17: COG_xBLKF: COG FALLING EVENT BLANKING COUNT REGISTER

U-0	U-0	R/W-0/0	R/W-0/0	R/W-0/0	R/W-0/0	R/W-0/0	R/W-0/0	
		BLKF<5:0>						
bit 7								bit 0

Legend:

R = Readable bit	W = Writable bit	U = Unimplemented bit, read as '0'
u = Bit is unchanged	x = Bit is unknown	-n/n = Value at POR and BOR/Value at all other Resets
'1' = Bit is set	'0' = Bit is cleared	q = Value depends on condition

bit 7-6 **Unimplemented:** Read as '0'

bit 5-0 **BLKF<5:0>:** Falling Event Blanking Count Value bits
 = Number of COG_x clock periods to inhibit rising event inputs

REGISTER 27-18: COGxPHR: COG RISING EVENT PHASE DELAY COUNT REGISTER

U-0	U-0	R/W-0/0	R/W-0/0	R/W-0/0	R/W-0/0	R/W-0/0	R/W-0/0
—	—	PHR<5:0>					
bit 7							bit 0

Legend:

R = Readable bit	W = Writable bit	U = Unimplemented bit, read as '0'
u = Bit is unchanged	x = Bit is unknown	-n/n = Value at POR and BOR/Value at all other Resets
'1' = Bit is set	'0' = Bit is cleared	q = Value depends on condition

bit 7-6 **Unimplemented:** Read as '0'
bit 5-0 **PHR<5:0>:** Rising Event Phase Delay Count Value bits
 = Number of COGx clock periods to delay rising event

REGISTER 27-19: COGxPHF: COG FALLING EVENT PHASE DELAY COUNT REGISTER

U-0	U-0	R/W-0/0	R/W-0/0	R/W-0/0	R/W-0/0	R/W-0/0	R/W-0/0
—	—	PHF<5:0>					
bit 7							bit 0

Legend:

R = Readable bit	W = Writable bit	U = Unimplemented bit, read as '0'
u = Bit is unchanged	x = Bit is unknown	-n/n = Value at POR and BOR/Value at all other Resets
'1' = Bit is set	'0' = Bit is cleared	q = Value depends on condition

bit 7-6 **Unimplemented:** Read as '0'
bit 5-0 **PHF<5:0>:** Falling Event Phase Delay Count Value bits
 = Number of COGx clock periods to delay falling event

PIC16(L)F1777/8/9

TABLE 27-7: SUMMARY OF REGISTERS ASSOCIATED WITH COG_x⁽¹⁾

Name	Bit 7	Bit 6	Bit 5	Bit 4	Bit 3	Bit 2	Bit 1	Bit 0	Register on Page
ANSELA	—	—	ANSA5	ANSA4	ANSA3	ANSA2	ANSA1	ANSA0	177
ANSELB	—	—	ANSB5	ANSB4	ANSB3	ANSB2	ANSB1	ANSB0	182
ANSELC	ANSC7	ANSC6	ANSC5	ANSC4	ANSC3	ANSC2	—	—	187
COGxASD0	ASE	ARSEN	ASDBD<1:0>		ASDAC<1:0>		—	—	384
COGxASD1	AS7E	AS6E	AS5E	AS4E	AS3E	AS2E	AS1E	AS0E	385
COGxBLKR	—	—	BLKR<5:0>						388
COGxBLKF	—	—	BLKF<5:0>						388
COGxCON0	EN	LD	—	CS<1:0>		MD<2:0>			378
COGxCON1	RDBS	FDBS	—	—	POLD	POLC	POLB	POLA	379
COGxDBR	—	—	DBR<5:0>						387
COGxDBF	—	—	DBF<5:0>						387
COGxFIS0	FIS7	FIS6	FIS5	FIS4	FIS3	FIS2	FIS1	FIS0	382
COGxFIS1	FIS15	FIS14	FIS13	FIS12	FIS11	FIS10	FIS9	FIS8	382
COGxFSIM0	FSIM7	FSIM6	FSIM5	FSIM4	FSIM3	FSIM2	FSIM1	FSIM0	383
COGxFSIM1	FSIM15	FSIM14	FSIM13	FSIM12	FSIM11	FSIM10	FSIM9	FSIM8	383
COGxPHR	—	—	PHR<5:0>						389
COGxPHF	—	—	PHF<5:0>						389
COGxPPS	—	—	COG1PPS<5:0>						205, 207
COGxRIS0	RIS7	RIS6	RIS5	RIS4	RIS3	RIS2	RIS1	RIS0	380
COGxRIS1	RIS15	RIS14	RIS13	RIS12	RIS11	RIS10	RIS9	RIS8	380
COGxRSIM0	RSIM7	RSIM6	RSIM5	RSIM4	RSIM3	RSIM2	RSIM1	RSIM0	381
COGxRSIM1	RSIM15	RSIM14	RSIM13	RSIM12	RSIM11	RSIM10	RSIM9	RSIM8	381
COGxSTR	SDATD	SDATC	SDATB	SDATA	STRD	STRC	STRB	STRA	386
INTCON	GIE	PEIE	TMR0IE	INTE	IOCIE	TMR0IF	INTF	IOCIF	132
RxyPPS	—	—	RxyPPS<5:0>						205

Legend: x = unknown, u = unchanged, — = unimplemented locations read as '0'. Shaded cells are not used by COG.

Note 1: COG4 is available on PIC16(L)F1777/9 only.

28.0 CONFIGURABLE LOGIC CELL (CLC)

The Configurable Logic Cell (CLCx) provides programmable logic that operates outside the speed limitations of software execution. The logic cell takes up to 32 input signals and, through the use of configurable gates, reduces the 32 inputs to four logic lines that drive one of eight selectable single-output logic functions.

Input sources are a combination of the following:

- I/O pins
- Internal clocks
- Peripherals
- Register bits

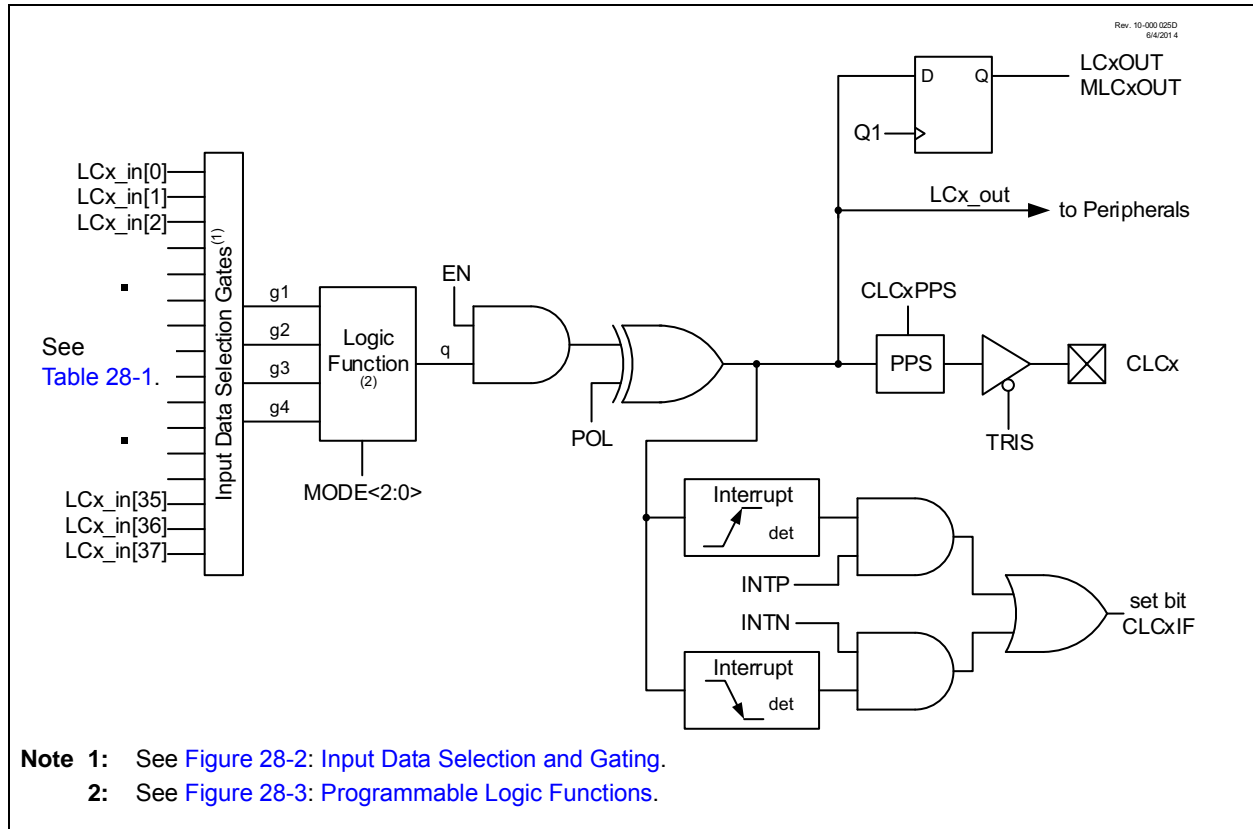
The output can be directed internally to peripherals and to an output pin.

Refer to [Figure 28-1](#) for a simplified diagram showing signal flow through the CLCx.

Possible configurations include:

- Combinatorial Logic
 - AND
 - NAND
 - AND-OR
 - AND-OR-INVERT
 - OR-XOR
 - OR-XNOR
- Latches
 - S-R
 - Clocked D with Set and Reset
 - Transparent D with Set and Reset
 - Clocked J-K with Reset

FIGURE 28-1: CLCx SIMPLIFIED BLOCK DIAGRAM



PIC16(L)F1777/8/9

28.1 CLCx Setup

Programming the CLCx module is performed by configuring the four stages in the logic signal flow. The four stages are:

- Data selection
- Data gating
- Logic function selection
- Output polarity

Each stage is setup at run time by writing to the corresponding CLCx Special Function Registers. This has the added advantage of permitting logic reconfiguration on-the-fly during program execution.

28.1.1 DATA SELECTION

There are 32 signals available as inputs to the configurable logic. Four 32-input multiplexers are used to select the inputs to pass on to the next stage.

Data selection is through four multiplexers as indicated on the left side of [Figure 28-2](#). Data inputs in the figure are identified by a generic numbered input name.

[Table 28-1](#) correlates the generic input name to the actual signal for each CLC module. The column labeled dy indicates the MUX selection code for the selected data input. DxS is an abbreviation for the MUX select input codes: D1S<4:0> through D4S<4:0>.

Data inputs are selected with the CLCxSEL0 through CLCxSEL3 registers ([Register 28-3](#) through [Register 28-6](#)).

Note: Data selections are undefined at power-up.

TABLE 28-1: CLCx DATA INPUT SELECTION

Data Input	dy DxS	CLCx
LCx_in[54]	110110	MD1_OUT OR MD2_OUT OR MD3_OUT
LCx_in[53]	110101	FOSC
LCx_in[52]	110100	HFINTOSC
LCx_in[51]	110011	LFINTOSC
LCx_in[50]	110010	FRC (ADC RC clock)
LCx_in[49]	110001	IOCIF set
LCx_in[48]	110000	Timer8_postscaled
LCx_in[47]	101111	Timer6_postscaled
LCx_in[46]	101110	Timer4_postscaled
LCx_in[45]	101101	Timer2_postscaled
LCx_in[44]	101100	Timer5 overflow
LCx_in[43]	101011	Timer3 overflow
LCx_in[42]	101010	Timer1 overflow
LCx_in[41]	101001	Timer0 overflow
LCx_in[40]	101000	EUSART RX
LCx_in[39]	100111	EUSART TX
LCx_in[38]	100110	ZCD1_output
LCx_in[37]	100101	MSSP1 SDO/SDA
LCx_in[36]	100100	MSSP1 SCL/SCK

TABLE 28-1: CLCx DATA INPUT SELECTION

Data Input	dy DxS	CLCx
LCx_in[35]	100011	PWM12_out ⁽¹⁾
LCx_in[34]	100010	PWM11_out
LCx_in[33]	100001	PWM6_out
LCx_in[32]	100000	PWM5_out
LCx_in[31]	011111	PWM10_out ⁽¹⁾
LCx_in[30]	011110	PWM9_out
LCx_in[29]	011101	PWM4_out
LCx_in[28]	011100	PWM3_out
LCx_in[27]	011011	CCP8_out ⁽¹⁾
LCx_in[26]	011010	CCP7_out
LCx_in[25]	011001	CCP2_out
LCx_in[24]	011000	CCP1_out
LCx_in[23]	010111	COG4B ⁽¹⁾
LCx_in[22]	010110	COG4A ⁽¹⁾
LCx_in[21]	010101	COG3B
LCx_in[20]	010100	COG3A
LCx_in[19]	010011	COG2B
LCx_in[18]	010010	COG2A
LCx_in[17]	010001	COG1B
LCx_in[16]	010000	COG1A
LCx_in[15]	001111	sync_C8OUT ⁽¹⁾
LCx_in[14]	001110	sync_C7OUT ⁽¹⁾
LCx_in[13]	001101	sync_C6OUT
LCx_in[12]	001100	sync_C5OUT
LCx_in[11]	001011	sync_C4OUT
LCx_in[10]	001010	sync_C3OUT
LCx_in[9]	001001	sync_C2OUT
LCx_in[8]	001000	sync_C1OUT
LCx_in[7]	000111	LC4_out from the CLC4
LCx_in[6]	000110	LC3_out from the CLC3
LCx_in[5]	000101	LC2_out from the CLC2
LCx_in[4]	000100	LC1_out from the CLC1
LCx_in[3]	000011	CLCIN3 pin input selected in CLCIN3PPS register
LCx_in[2]	000010	CLCIN2 pin input selected in CLCIN2PPS register
LCx_in[1]	000001	CLCIN1 pin input selected in CLCIN1PPS register
LCx_in[0]	000000	CLCIN0 pin input selected in CLCIN0PPS register

Note 1: PIC16(L)F1777/9 only.

28.1.2 DATA GATING

Outputs from the input multiplexers are directed to the desired logic function input through the data gating stage. Each data gate can direct any combination of the four selected inputs.

Note: Data gating is undefined at power-up.

The gate stage is more than just signal direction. The gate can be configured to direct each input signal as inverted or non-inverted data. Directed signals are ANDed together in each gate. The output of each gate can be inverted before going on to the logic function stage.

The gating is in essence a 1-to-4 input AND/NAND/OR/NOR gate. When every input is inverted and the output is inverted, the gate is an OR of all enabled data inputs. When the inputs and output are not inverted, the gate is an AND of all enabled inputs.

Table 28-2 summarizes the basic logic that can be obtained in gate 1 by using the gate logic select bits. The table shows the logic of four input variables, but each gate can be configured to use less than four. If no inputs are selected, the output will be zero or one, depending on the gate output polarity bit.

TABLE 28-2: DATA GATING LOGIC

CLCxGLS0	G1POL	Gate Logic
0x55	1	AND
0x55	0	NAND
0xAA	1	NOR
0xAA	0	OR
0x00	0	Logic 0
0x00	1	Logic 1

It is possible (but not recommended) to select both the true and negated values of an input. When this is done, the gate output is zero, regardless of the other inputs, but may emit logic glitches (transient-induced pulses). If the output of the channel must be zero or one, the recommended method is to set all gate bits to zero and use the gate polarity bit to set the desired level.

Data gating is configured with the logic gate select registers as follows:

- Gate 1: CLCxGLS0 (Register 28-7)
- Gate 2: CLCxGLS1 (Register 28-8)
- Gate 3: CLCxGLS2 (Register 28-9)
- Gate 4: CLCxGLS3 (Register 28-10)

Register number suffixes are different than the gate numbers because other variations of this module have multiple gate selections in the same register.

Data gating is indicated in the right side of Figure 28-2. Only one gate is shown in detail. The remaining three gates are configured identically with the exception that the data enables correspond to the enables for that gate.

28.1.3 LOGIC FUNCTION

There are eight available logic functions including:

- AND-OR
- OR-XOR
- AND
- S-R Latch
- D Flip-Flop with Set and Reset
- D Flip-Flop with Reset
- J-K Flip-Flop with Reset
- Transparent Latch with Set and Reset

Logic functions are shown in Figure 28-3. Each logic function has four inputs and one output. The four inputs are the four data gate outputs of the previous stage. The output is fed to the inversion stage and from there to other peripherals, an output pin, and back to the CLCx itself.

28.1.4 OUTPUT POLARITY

The last stage in the Configurable Logic Cell is the output polarity. Setting the POL bit of the CLCxCON register inverts the output signal from the logic stage. Changing the polarity while the interrupts are enabled will cause an interrupt for the resulting output transition.

PIC16(L)F1777/8/9

28.1.5 CLCx SETUP STEPS

The following steps should be followed when setting up the CLCx:

- Disable CLCx by clearing the EN bit.
- Select desired inputs using CLCxSEL0 through CLCxSEL3 registers (See [Table 28-1](#)).
- Clear any associated ANSEL bits.
- Set all TRIS bits associated with inputs.
- Clear all TRIS bits associated with outputs.
- Enable the chosen inputs through the four gates using CLCxGLS0, CLCxGLS1, CLCxGLS2, and CLCxGLS3 registers.
- Select the gate output polarities with the POLY bits of the CLCxPOL register.
- Select the desired logic function with the MODE<2:0> bits of the CLCxCON register.
- Select the desired polarity of the logic output with the POL bit of the CLCxPOL register. (This step may be combined with the previous gate output polarity step).
- If driving a device pin, set the desired pin PPS control register and also clear the TRIS bit corresponding to that output.
- If interrupts are desired, configure the following bits:
 - Set the INTP bit in the CLCxCON register for rising event.
 - Set the INTN bit in the CLCxCON register for falling event.
 - Set the CLCxIE bit of the associated PIE registers.
 - Set the GIE and PEIE bits of the INTCON register.
- Enable the CLCx by setting the EN bit of the CLCxCON register.

28.2 CLCx Interrupts

An interrupt will be generated upon a change in the output value of the CLCx when the appropriate interrupt enables are set. A rising edge detector and a falling edge detector are present in each CLC for this purpose.

The CLCxIF bit of the associated PIR registers will be set when either edge detector is triggered and its associated enable bit is set. The INTP enables rising edge interrupts and the INTN bit enables falling edge interrupts. Both are located in the CLCxCON register.

To fully enable the interrupt, set the following bits:

- EN bit of the CLCxCON register
- CLCxIE bit of the associated PIE registers
- INTP bit of the CLCxCON register (for a rising edge detection)
- INTN bit of the CLCxCON register (for a falling edge detection)
- PEIE and GIE bits of the INTCON register

The CLCxIF bit of the associated PIR registers, must be cleared in software as part of the interrupt service. If another edge is detected while this flag is being cleared, the flag will still be set at the end of the sequence.

28.3 Output Mirror Copies

Mirror copies of all LCxCON output bits are contained in the CLCxDATA register. Reading this register reads the outputs of all CLCs simultaneously. This prevents any reading skew introduced by testing or reading the CLCxOUT bits in the individual CLCxCON registers.

28.4 Effects of a Reset

The CLCxCON register is cleared to zero as the result of a Reset. All other selection and gating values remain unchanged.

28.5 Operation During Sleep

The CLC module operates independently from the system clock and will continue to run during Sleep, provided that the input sources selected remain active.

The HFINTOSC remains active during Sleep when the CLC module is enabled and the HFINTOSC is selected as an input source, regardless of the system clock source selected.

In other words, if the HFINTOSC is simultaneously selected as the system clock and as a CLC input source, when the CLC is enabled, the CPU will go idle during Sleep, but the CLC will continue to operate and the HFINTOSC will remain active.

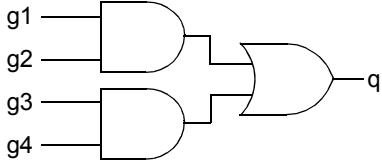
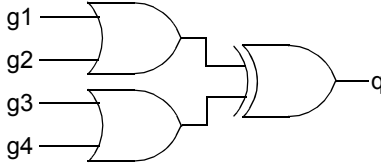
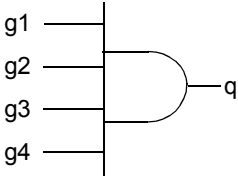
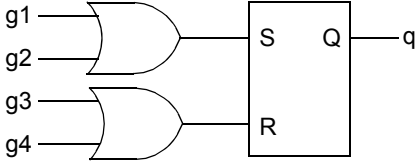
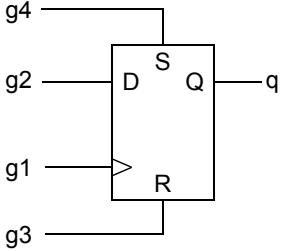
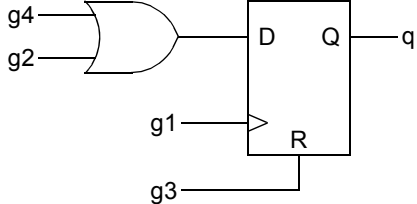
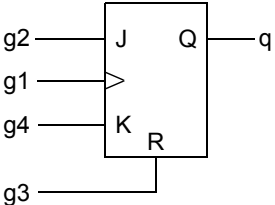
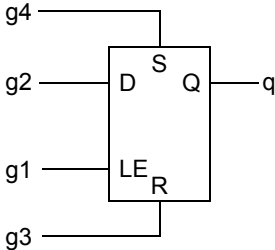
This will have a direct effect on the Sleep mode current.

FIGURE 28-2: INPUT DATA SELECTION AND GATING



PIC16(L)F1777/8/9

FIGURE 28-3: PROGRAMMABLE LOGIC FUNCTIONS

<p style="text-align: center;">AND – OR</p>  <p style="text-align: center;">MODE<2:0>= 000</p>	<p style="text-align: center;">OR – XOR</p>  <p style="text-align: center;">MODE<2:0>= 001</p>
<p style="text-align: center;">4-Input AND</p>  <p style="text-align: center;">MODE<2:0>= 010</p>	<p style="text-align: center;">S-R Latch</p>  <p style="text-align: center;">MODE<2:0>= 011</p>
<p style="text-align: center;">1-Input D Flip-Flop with S and R</p>  <p style="text-align: center;">MODE<2:0>= 100</p>	<p style="text-align: center;">2-Input D Flip-Flop with R</p>  <p style="text-align: center;">MODE<2:0>= 101</p>
<p style="text-align: center;">J-K Flip-Flop with R</p>  <p style="text-align: center;">MODE<2:0>= 110</p>	<p style="text-align: center;">1-Input Transparent Latch with S and R</p>  <p style="text-align: center;">MODE<2:0>= 111</p>

28.6 Register Definitions: CLC Control

Long bit name prefixes for the CLC peripherals are shown in [Table 28-3](#). Refer to [Section 1.1 “Register and Bit naming conventions”](#) for more information

TABLE 28-3:

Peripheral	Bit Name Prefix
CLC1	LC1
CLC2	LC2
CLC3	LC3
CLC4	LC4

REGISTER 28-1: CLCxCON: CONFIGURABLE LOGIC CELL CONTROL REGISTER

R/W-0/0	U-0	R-0/0	R/W-0/0	R/W-0/0	R/W-0/0	R/W-0/0	R/W-0/0
EN	—	OUT	INTP	INTN	MODE<2:0>		
bit 7							bit 0

Legend:

R = Readable bit	W = Writable bit	U = Unimplemented bit, read as '0'
u = Bit is unchanged	x = Bit is unknown	-n/n = Value at POR and BOR/Value at all other Resets
'1' = Bit is set	'0' = Bit is cleared	

- bit 7 **EN:** Configurable Logic Cell Enable bit
 1 = Configurable logic cell is enabled and mixing input signals
 0 = Configurable logic cell is disabled and has logic zero output
- bit 6 **Unimplemented:** Read as '0'
- bit 5 **OUT:** Configurable Logic Cell Data Output bit
 Read-only: logic cell output data, after POL; sampled from lcx_out wire.
- bit 4 **INTP:** Configurable Logic Cell Positive Edge Going Interrupt Enable bit
 1 = CLCxIF will be set when a rising edge occurs on lcx_out
 0 = CLCxIF will not be set
- bit 3 **INTN:** Configurable Logic Cell Negative Edge Going Interrupt Enable bit
 1 = CLCxIF will be set when a falling edge occurs on lcx_out
 0 = CLCxIF will not be set
- bit 2-0 **MODE<2:0>:** Configurable Logic Cell Functional Mode bits
 111 = Cell is 1-input transparent latch with S and R
 110 = Cell is J-K flip-flop with R
 101 = Cell is 2-input D flip-flop with R
 100 = Cell is 1-input D flip-flop with S and R
 011 = Cell is S-R latch
 010 = Cell is 4-input AND
 001 = Cell is OR-XOR
 000 = Cell is AND-OR

PIC16(L)F1777/8/9

REGISTER 28-2: CLCxPOL: SIGNAL POLARITY CONTROL REGISTER

R/W-0/0	U-0	U-0	U-0	R/W-x/u	R/W-x/u	R/W-x/u	R/W-x/u
POL	—	—	—	G4POL	G3POL	G2POL	G1POL
bit 7							bit 0

Legend:

R = Readable bit

W = Writable bit

U = Unimplemented bit, read as '0'

u = Bit is unchanged

x = Bit is unknown

-n/n = Value at POR and BOR/Value at all other Resets

'1' = Bit is set

'0' = Bit is cleared

- bit 7 **POL:** LCOOUT Polarity Control bit
1 = The output of the logic cell is inverted
0 = The output of the logic cell is not inverted
- bit 6-4 **Unimplemented:** Read as '0'
- bit 3 **G4POL:** Gate 4 Output Polarity Control bit
1 = The output of gate 4 is inverted when applied to the logic cell
0 = The output of gate 4 is not inverted
- bit 2 **G3POL:** Gate 3 Output Polarity Control bit
1 = The output of gate 3 is inverted when applied to the logic cell
0 = The output of gate 3 is not inverted
- bit 1 **G2POL:** Gate 2 Output Polarity Control bit
1 = The output of gate 2 is inverted when applied to the logic cell
0 = The output of gate 2 is not inverted
- bit 0 **G1POL:** Gate 1 Output Polarity Control bit
1 = The output of gate 1 is inverted when applied to the logic cell
0 = The output of gate 1 is not inverted

REGISTER 28-3: CLCxSEL0: GENERIC CLCx DATA 1 SELECT REGISTER

U-0	U-0	R/W-x/u	R/W-x/u	R/W-x/u	R/W-x/u	R/W-x/u	R/W-x/u
—	—	D1S<5:0>					
bit 7							bit 0

Legend:

R = Readable bit W = Writable bit U = Unimplemented bit, read as '0'
u = Bit is unchanged x = Bit is unknown -n/n = Value at POR and BOR/Value at all other Resets
'1' = Bit is set '0' = Bit is cleared

bit 7-6 **Unimplemented:** Read as '0'
bit 5-0 **D1S<5:0>:** CLCx Data1 Input Selection bits
See [Table 28-1](#).

REGISTER 28-4: CLCxSEL1: GENERIC CLCx DATA 2 SELECT REGISTER

U-0	U-0	R/W-x/u	R/W-x/u	R/W-x/u	R/W-x/u	R/W-x/u	R/W-x/u
—	—	D2S<5:0>					
bit 7							bit 0

Legend:

R = Readable bit W = Writable bit U = Unimplemented bit, read as '0'
u = Bit is unchanged x = Bit is unknown -n/n = Value at POR and BOR/Value at all other Resets
'1' = Bit is set '0' = Bit is cleared

bit 7-6 **Unimplemented:** Read as '0'
bit 5-0 **D2S<5:0>:** CLCx Data 2 Input Selection bits
See [Table 28-1](#).

REGISTER 28-5: CLCxSEL2: GENERIC CLCx DATA 3 SELECT REGISTER

U-0	U-0	R/W-x/u	R/W-x/u	R/W-x/u	R/W-x/u	R/W-x/u	R/W-x/u
—	—	D3S<5:0>					
bit 7							bit 0

Legend:

R = Readable bit W = Writable bit U = Unimplemented bit, read as '0'
u = Bit is unchanged x = Bit is unknown -n/n = Value at POR and BOR/Value at all other Resets
'1' = Bit is set '0' = Bit is cleared

bit 7-6 **Unimplemented:** Read as '0'
bit 5-0 **D3S<5:0>:** CLCx Data 3 Input Selection bits
See [Table 28-1](#).

PIC16(L)F1777/8/9

REGISTER 28-6: CLCxSEL3: GENERIC CLCx DATA 4 SELECT REGISTER

U-0	U-0	R/W-x/u	R/W-x/u	R/W-x/u	R/W-x/u	R/W-x/u	R/W-x/u
—	—	D4S<5:0>					
bit 7							bit 0

Legend:

R = Readable bit W = Writable bit U = Unimplemented bit, read as '0'
u = Bit is unchanged x = Bit is unknown -n/n = Value at POR and BOR/Value at all other Resets
'1' = Bit is set '0' = Bit is cleared

bit 7-6 **Unimplemented:** Read as '0'

bit 5-0 **D4S<5:0>:** CLCx Data 4 Input Selection bits
See [Table 28-1](#).

REGISTER 28-7: CLCxGLS0: GATE 1 LOGIC SELECT REGISTER

R/W-x/u	R/W-x/u	R/W-x/u	R/W-x/u	R/W-x/u	R/W-x/u	R/W-x/u	R/W-x/u
G1D4T	G1D4N	G1D3T	G1D3N	G1D2T	G1D2N	G1D1T	G1D1N
bit 7							bit 0

Legend:

R = Readable bit W = Writable bit U = Unimplemented bit, read as '0'
u = Bit is unchanged x = Bit is unknown -n/n = Value at POR and BOR/Value at all other Resets
'1' = Bit is set '0' = Bit is cleared

bit 7 **G1D4T:** Gate 1 Data 4 True (non-inverted) bit
1 = d4T is gated into g1
0 = d4T is not gated into g1

bit 6 **G1D4N:** Gate 1 Data 4 Negated (inverted) bit
1 = d4N is gated into g1
0 = d4N is not gated into g1

bit 5 **G1D3T:** Gate 1 Data 3 True (non-inverted) bit
1 = d3T is gated into g1
0 = d3T is not gated into g1

bit 4 **G1D3N:** Gate 1 Data 3 Negated (inverted) bit
1 = d3N is gated into g1
0 = d3N is not gated into g1

bit 3 **G1D2T:** Gate 1 Data 2 True (non-inverted) bit
1 = d2T is gated into g1
0 = d2T is not gated into g1

bit 2 **G1D2N:** Gate 1 Data 2 Negated (inverted) bit
1 = d2N is gated into g1
0 = d2N is not gated into g1

bit 1 **G1D1T:** Gate 1 Data 1 True (non-inverted) bit
1 = d1T is gated into g1
0 = d1T is not gated into g1

bit 0 **G1D1N:** Gate 1 Data 1 Negated (inverted) bit
1 = d1N is gated into g1
0 = d1N is not gated into g1

REGISTER 28-8: CLCxGLS1: GATE 2 LOGIC SELECT REGISTER

R/W-x/u	R/W-x/u	R/W-x/u	R/W-x/u	R/W-x/u	R/W-x/u	R/W-x/u	R/W-x/u
G2D4T	G2D4N	G2D3T	G2D3N	G2D2T	G2D2N	G2D1T	G2D1N
bit 7							bit 0

Legend:

R = Readable bit	W = Writable bit	U = Unimplemented bit, read as '0'
u = Bit is unchanged	x = Bit is unknown	-n/n = Value at POR and BOR/Value at all other Resets
'1' = Bit is set	'0' = Bit is cleared	

bit 7	G2D4T: Gate 2 Data 4 True (non-inverted) bit 1 = d4T is gated into g2 0 = d4T is not gated into g2
bit 6	G2D4N: Gate 2 Data 4 Negated (inverted) bit 1 = d4N is gated into g2 0 = d4N is not gated into g2
bit 5	G2D3T: Gate 2 Data 3 True (non-inverted) bit 1 = d3T is gated into g2 0 = d3T is not gated into g2
bit 4	G2D3N: Gate 2 Data 3 Negated (inverted) bit 1 = d3N is gated into g2 0 = d3N is not gated into g2
bit 3	G2D2T: Gate 2 Data 2 True (non-inverted) bit 1 = d2T is gated into g2 0 = d2T is not gated into g2
bit 2	G2D2N: Gate 2 Data 2 Negated (inverted) bit 1 = d2N is gated into g2 0 = d2N is not gated into g2
bit 1	G2D1T: Gate 2 Data 1 True (non-inverted) bit 1 = d1T is gated into g2 0 = d1T is not gated into g2
bit 0	G2D1N: Gate 2 Data 1 Negated (inverted) bit 1 = d1N is gated into g2 0 = d1N is not gated into g2

PIC16(L)F1777/8/9

REGISTER 28-9: CLCxGLS2: GATE 3 LOGIC SELECT REGISTER

R/W-x/u	R/W-x/u	R/W-x/u	R/W-x/u	R/W-x/u	R/W-x/u	R/W-x/u	R/W-x/u
G3D4T	G3D4N	G3D3T	G3D3N	G3D2T	G3D2N	G3D1T	G3D1N
bit 7							bit 0

Legend:

R = Readable bit	W = Writable bit	U = Unimplemented bit, read as '0'
u = Bit is unchanged	x = Bit is unknown	-n/n = Value at POR and BOR/Value at all other Resets
'1' = Bit is set	'0' = Bit is cleared	

bit 7	G3D4T: Gate 3 Data 4 True (non-inverted) bit 1 = d4T is gated into g3 0 = d4T is not gated into g3
bit 6	G3D4N: Gate 3 Data 4 Negated (inverted) bit 1 = d4N is gated into g3 0 = d4N is not gated into g3
bit 5	G3D3T: Gate 3 Data 3 True (non-inverted) bit 1 = d3T is gated into g3 0 = d3T is not gated into g3
bit 4	G3D3N: Gate 3 Data 3 Negated (inverted) bit 1 = d3N is gated into g3 0 = d3N is not gated into g3
bit 3	G3D2T: Gate 3 Data 2 True (non-inverted) bit 1 = d2T is gated into g3 0 = d2T is not gated into g3
bit 2	G3D2N: Gate 3 Data 2 Negated (inverted) bit 1 = d2N is gated into g3 0 = d2N is not gated into g3
bit 1	G3D1T: Gate 3 Data 1 True (non-inverted) bit 1 = d1T is gated into g3 0 = d1T is not gated into g3
bit 0	G3D1N: Gate 3 Data 1 Negated (inverted) bit 1 = d1N is gated into g3 0 = d1N is not gated into g3

REGISTER 28-10: CLCxGLS3: GATE 4 LOGIC SELECT REGISTER

R/W-x/u	R/W-x/u	R/W-x/u	R/W-x/u	R/W-x/u	R/W-x/u	R/W-x/u	R/W-x/u
G4D4T	G4D4N	G4D3T	G4D3N	G4D2T	G4D2N	G4D1T	G4D1N
bit 7							bit 0

Legend:

R = Readable bit	W = Writable bit	U = Unimplemented bit, read as '0'
u = Bit is unchanged	x = Bit is unknown	-n/n = Value at POR and BOR/Value at all other Resets
'1' = Bit is set	'0' = Bit is cleared	

bit 7	G4D4T: Gate 4 Data 4 True (non-inverted) bit 1 = d4T is gated into g4 0 = d4T is not gated into g4
bit 6	G4D4N: Gate 4 Data 4 Negated (inverted) bit 1 = d4N is gated into g4 0 = d4N is not gated into g4
bit 5	G4D3T: Gate 4 Data 3 True (non-inverted) bit 1 = d3T is gated into g4 0 = d3T is not gated into g4
bit 4	G4D3N: Gate 4 Data 3 Negated (inverted) bit 1 = d3N is gated into g4 0 = d3N is not gated into g4
bit 3	G4D2T: Gate 4 Data 2 True (non-inverted) bit 1 = d2T is gated into g4 0 = d2T is not gated into g4
bit 2	G4D2N: Gate 4 Data 2 Negated (inverted) bit 1 = d2N is gated into g4 0 = d2N is not gated into g4
bit 1	G4D1T: Gate 4 Data 1 True (non-inverted) bit 1 = d1T is gated into g4 0 = d1T is not gated into g4
bit 0	G4D1N: Gate 4 Data 1 Negated (inverted) bit 1 = d1N is gated into g4 0 = d1N is not gated into g4

PIC16(L)F1777/8/9

REGISTER 28-11: CLCDATA: CLC DATA OUTPUT

U-0	U-0	U-0	U-0	R-0	R-0	R-0	R-0
—	—	—	—	MLC4OUT	MLC3OUT	MLC2OUT	MLC1OUT
bit 7							bit 0

Legend:

R = Readable bit

W = Writable bit

U = Unimplemented bit, read as '0'

u = Bit is unchanged

x = Bit is unknown

-n/n = Value at POR and BOR/Value at all other Resets

'1' = Bit is set

'0' = Bit is cleared

bit 7-4	Unimplemented: Read as '0'
bit 3	MLC4OUT: Mirror copy of LC4OUT bit
bit 2	MLC3OUT: Mirror copy of LC3OUT bit
bit 1	MLC2OUT: Mirror copy of LC2OUT bit
bit 0	MLC1OUT: Mirror copy of LC1OUT bit

TABLE 28-4: SUMMARY OF REGISTERS ASSOCIATED WITH CLCx

Name	Bit7	Bit6	Bit5	Bit4	Bit3	Bit2	Bit1	Bit0	Register on Page
ANSELA	—	—	ANSA5	ANSA4	ANSA3	ANSA2	ANSA1	ANSA0	177
ANSELB	—	—	ANSB5	ANSB4	ANSB3	ANSB2	ANSB1	ANSB0	182
ANSELC	ANSC7	ANSC6	ANSC5	ANSC4	ANSC3	ANSC2	—	—	187
CLCxCON	EN	—	OUT	INTP	INTN	MODE<2:0>			397
CLCDATA	—	—	—	—	MLC4OUT	MLC3OUT	MLC2OUT	MLC1OUT	404
CLCxGLS0	G1D4T	G1D4N	G1D3T	G1D3N	G1D2T	G1D2N	G1D1T	G1D1N	400
CLCxGLS1	G2D4T	G2D4N	G2D3T	G2D3N	G2D2T	G2D2N	G2D1T	G2D1N	401
CLCxGLS2	G3D4T	G3D4N	G3D3T	G3D3N	G3D2T	G3D2N	G3D1T	G3D1N	402
CLCxGLS3	G4D4T	G4D4N	G4D3T	G4D3N	G4D2T	G4D2N	G4D1T	G4D1N	403
CLCxPOL	POL	—	—	—	G4POL	G3POL	G2POL	G1POL	398
CLCxSEL0	—	—	D1S<5:0>						399
CLCxSEL1	—	—	D2S<5:0>						399
CLCxSEL2	—	—	D3S<5:0>						399
CLCxSEL3	—	—	D4S<5:0>						400
CLCINxPPS	—	—	CLCINxPPS<5:0>						205, 207
INTCON	GIE	PEIE	TMR0IE	INTE	IOCIE	TMR0IF	INTF	IOCIF	132
PIE3	—	—	COG2IE	ZCDIE	CLC4IE	CLC3IE	CLC2IE	CLC1IE	135
PIR3	—	—	COG2IF	ZCDIF	CLC4IF	CLC3IF	CLC2IF	CLC1IF	141
RxyPPS	—	—	RxyPPS<5:0>						205
TRISA	TRISA7	TRISA6	TRISA5	TRISA4	TRISA3	TRISA2	TRISA1	TRISA0	176
TRISB	TRISB7	TRISB6	TRISB5	TRISB4	TRISB3	TRISB2	TRISB1	TRISB0	181
TRISC	TRISC7	TRISC6	TRISC5	TRISC4	TRISC3	TRISC2	TRISC1	TRISC0	186

Legend: — = unimplemented read as '0'. Shaded cells are not used for CLC module.

PIC16(L)F1777/8/9

29.0 OPERATIONAL AMPLIFIER (OPA) MODULES

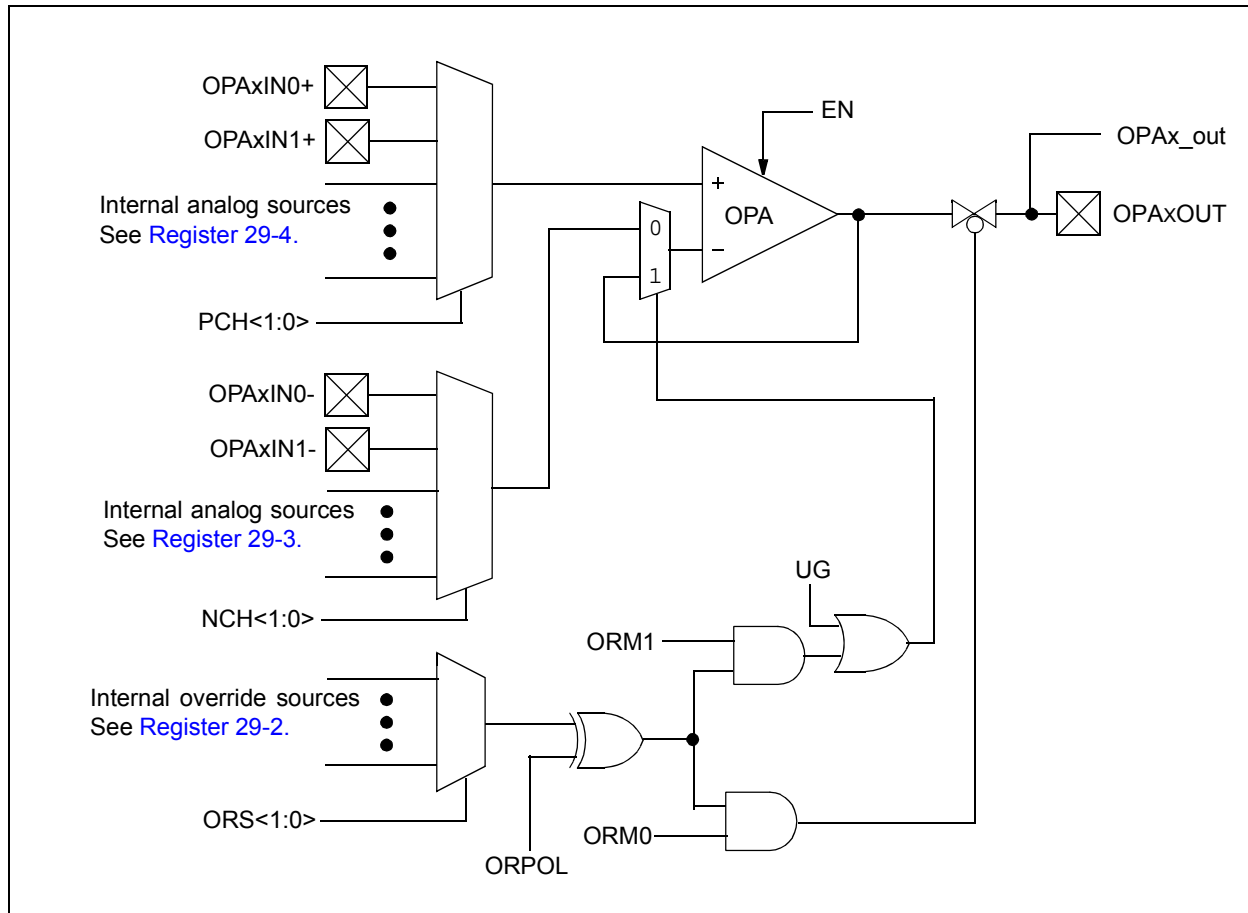
The Operational Amplifier (OPA) is a standard three-terminal device requiring external feedback to operate. The OPA module has the following features:

- External connections to I/O ports
- Low leakage inputs
- Factory Calibrated Input Offset Voltage
- Unity gain control
- Programmable positive and negative source selections
- Override controls
 - Forced tri-state output
 - Forced unity gain

TABLE 29-1: AVAILABLE OP AMP MODULES

Device	OPA1	OP2	OPA3	OPA4
PIC16(L)F1778	•	•	•	
PIC16(L)F1777/9	•	•	•	•

FIGURE 29-1: OPAx MODULE BLOCK DIAGRAM



29.1 OPA Module Performance

Common AC and DC performance specifications for the OPA module:

- Common-Mode Voltage Range
- Leakage Current
- Input Offset Voltage
- Open-Loop Gain
- Gain Bandwidth Product

Common-mode voltage range is the specified voltage range for the OPA+ and OPA- inputs, for which the OPA module will perform to within its specifications. The OPA module is designed to operate with input voltages between V_{SS} and V_{DD}. Behavior for common-mode voltages greater than V_{DD}, or below V_{SS}, are not guaranteed.

Leakage current is a measure of the small source or sink currents on the OPA+ and OPA- inputs. To minimize the effect of leakage currents, the effective impedances connected to the OPA+ and OPA- inputs should be kept as small as possible and equal.

Input offset voltage is a measure of the voltage difference between the OPA+ and OPA- inputs in a closed loop circuit with the OPA in its linear region. The offset voltage will appear as a DC offset in the output equal to the input offset voltage, multiplied by the gain of the circuit. The input offset voltage is also affected by the common-mode voltage. The OPA is factory calibrated to minimize the input offset voltage of the module.

Open-loop gain is the ratio of the output voltage to the differential input voltage, (OPA+) - (OPA-). The gain is greatest at DC and falls off with frequency.

Gain Bandwidth Product or GBWP is the frequency at which the open-loop gain falls off to 0 dB.

29.2 OPA Module Control

The OPA module is enabled by setting the OPAXEN bit of the OPAXCON register ([Register 29-1](#)). When enabled, the OPA forces the output driver of the OPAXOUT pin into tri-state to prevent contention between the driver and the OPA output.

Note: When the OPA module is enabled, the OPAXOUT pin is driven by the op amp output, not by the PORT digital driver. Refer to [Table 36-17: Operational Amplifier \(OPA\)](#) for the op amp output drive capability.

29.2.1 UNITY GAIN MODE

The OPAXUG bit of the OPAXCON register ([Register 29-1](#)) selects the Unity Gain mode. When unity gain is selected, the OPA output is connected to the inverting input and the OPAXIN pin is relinquished, releasing the pin for general purpose input and output.

29.2.2 PROGRAMMABLE SOURCE SELECTIONS

The inverting and non-inverting sources are selected with the OPAXNCHS ([Register 29-3](#)) and OPAXPCHS ([Register 29-4](#)) registers, respectively. Sources include:

- Internal DACs
- Device pins
- Internal slope compensation ramp generator
- Other op amps in the device

29.3 Override Control

29.3.1 OVERRIDE MODE

The op amp operation can be overridden in two ways:

- Forced tri-state output
- Force unity gain

The Override mode is selected with the ORM<1:0> bits of the OPXCON register ([Register 29-1](#)). The override is in effect when the mode is selected and the override source is true.

29.3.2 OVERRIDE SOURCES

The override source is selected with the OPAXORS register ([Register 29-2](#)). Sources are from internal peripherals including:

- CCP outputs
- PWM outputs
- Comparator outputs
- Zero-cross detect output
- Configurable Logic Cell outputs
- COG outputs

29.3.3 OVERRIDE SOURCE POLARITY

The override source polarity can be inverted so that the override will occur on either the high or low level of the selected source. Override polarity is controlled by the ORPOL bit of the OPAXCON register ([Register 29-1](#)).

29.4 Effects of Reset

A device Reset forces all registers to their Reset state. This disables the OPA module.

29.5 Effects of Sleep

The operational amplifier continues to operate when the device is put in Sleep mode.

PIC16(L)F1777/8/9

29.6 Register Definitions: Op Amp Control

Long bit name prefixes for the op amp peripherals are shown in [Table 29-2](#). Refer to [Section 1.1 “Register and Bit naming conventions”](#) for more information

TABLE 29-2:

Peripheral	Bit Name Prefix
OPA1	OPA1
OPA2	OPA2
OPA3	OPA3
OPA4 ⁽¹⁾	OPA4

Note 1: PIC16(L)F1777/9 only.

REGISTER 29-1: OPAXCON: OPERATIONAL AMPLIFIER (OPAx) CONTROL REGISTER

R/W-0/0	U-0	U-0	R/W-0/0	U-0	R/W-0/0	R/W-0/0	R/W-0/0
EN	—	—	UG	—	ORPOL	ORM<1:0>	
bit 7							bit 0

Legend:

R = Readable bit	W = Writable bit	U = Unimplemented bit, read as '0'
u = Bit is unchanged	x = Bit is unknown	-n/n = Value at POR and BOR/Value at all other Resets
'1' = Bit is set	'0' = Bit is cleared	q = Value depends on condition

- bit 7 **EN:** Op Amp Enable bit
 1 = Op amp is enabled
 0 = Op amp is disabled and consumes no active power
- bit 6-5 **Unimplemented:** Read as '0'
- bit 4 **UG:** Op Amp Unity Gain Select bit
 1 = OPA output is connected to inverting input. OPAXIN- pin is available for general purpose I/O.
 0 = Inverting input is connected to the OPAXIN- pin
- bit 3 **Unimplemented:** Read as '0'
- bit 2 **ORPOL:** Op Amp Override Source Polarity bit
 1 = Override source polarity is inverted. Override occurs when source is high.
 0 = Override source polarity is not inverted. Override occurs when source is low.
- bit 1-0 **ORM<1:0>:** Op Amp Override Mode Selection bits
 11 = Reserved. Do not use.
 10 = Op amp is forced to unity gain when override source is true.
 01 = Op amp output is tri-stated when override source is true.
 00 = Output override function is disabled.

REGISTER 29-2: OPAxORS: OP AMP OVERRIDE SOURCE SELECTION REGISTER

U-0	U-0	U-0	R/W-0/0	R/W-0/x	R/W-0/x	R/W-0/0	R/W-0/x	
—	—	—	ORS<4:0>					
bit 7								bit 0

Legend:

R = Readable bit	W = Writable bit	U = Unimplemented bit, read as '0'
u = Bit is unchanged	x = Bit is unknown	-n/n = Value at POR and BOR/Value at all other Resets
'1' = Bit is set	'0' = Bit is cleared	q = Value depends on condition

bit 7-5 **Unimplemented:** Read as '0'
bit 4-0 **ORS<4:0>:** Op Amp Output Override Source Selection bits
See [Table 29-3: Override Sources](#)

TABLE 29-3: OVERRIDE SOURCES

ORS<4:0>	OPA1	OPA2	OPA3	OPA4 ⁽¹⁾
11111	COG2D	COG2D	COG4D ⁽¹⁾	COG4D
11110	COG2C	COG2C	COG4C ⁽¹⁾	COG4C
11101	COG2B	COG2B	COG4B ⁽¹⁾	COG4B
11100	COG2A	COG2A	COG4A ⁽¹⁾	COG4A
11011	COG1D	COG1D	COG3D	COG3D
11010	COG1C	COG1C	COG3C	COG3C
11001	COG1B	COG1B	COG3B	COG3B
11000	COG1A	COG1A	COG3A	COG3A
10111	LC4_out	LC4_out	LC4_out	LC4_out
10110	LC3_out	LC3_out	LC3_out	LC3_out
10101	LC2_out	LC2_out	LC2_out	LC2_out
10100	LC1_out	LC1_out	LC1_out	LC1_out
10011	sync_C8OUT ⁽¹⁾	sync_C8OUT ⁽¹⁾	sync_C8OUT ⁽¹⁾	sync_C8OUT
10010	sync_C7OUT ⁽¹⁾	sync_C7OUT ⁽¹⁾	sync_C7OUT ⁽¹⁾	sync_C7OUT
10001	sync_C6OUT	sync_C6OUT	sync_C6OUT	sync_C6OUT
10000	sync_C5OUT	sync_C5OUT	sync_C5OUT	sync_C5OUT
01111	sync_C4OUT	sync_C4OUT	sync_C4OUT	sync_C4OUT
01110	sync_C3OUT	sync_C3OUT	sync_C3OUT	sync_C3OUT
01101	sync_C2OUT	sync_C2OUT	sync_C2OUT	sync_C2OUT
01100	sync_C1OUT	sync_C1OUT	sync_C1OUT	sync_C1OUT
01011	PWM12_out ⁽¹⁾	PWM12_out ⁽¹⁾	PWM12_out ⁽¹⁾	PWM12_out
01010	PWM11_out	PWM11_out	PWM11_out	PWM11_out
01001	PWM6_out	PWM6_out	PWM6_out	PWM6_out
01000	PWM5_out	PWM5_out	PWM5_out	PWM5_out
00111	PWM10_out ⁽¹⁾	PWM10_out ⁽¹⁾	PWM10_out ⁽¹⁾	PWM10_out
00110	PWM9_out	PWM9_out	PWM9_out	PWM9_out
00101	PWM4_out	PWM4_out	PWM4_out	PWM4_out
00100	PWM3_out	PWM3_out	PWM3_out	PWM3_out
00011	CCP8_out ⁽¹⁾	CCP8_out ⁽¹⁾	CCP8_out ⁽¹⁾	CCP8_out
00010	CCP7_out	CCP7_out	CCP7_out	CCP7_out
00001	CCP2_out	CCP2_out	CCP2_out	CCP2_out
00000	CCP1_out	CCP1_out	CCP1_out	CCP1_out

Note 1: PIC16(L)F1777/9 only.

PIC16(L)F1777/8/9

REGISTER 29-3: OPAxNCHS: OP AMP NEGATIVE CHANNEL SOURCE SELECT REGISTER

U-0	U-0	U-0	U-0	R/W-0/0	R/W-0/0	R/W-0/0	R/W-0/0
—	—	—	—	NCH<3:0>			
bit 7				bit 0			

Legend:

R = Readable bit W = Writable bit U = Unimplemented bit, read as '0'
u = Bit is unchanged x = Bit is unknown -n/n = Value at POR and BOR/Value at all other Resets
'1' = Bit is set '0' = Bit is cleared q = Value depends on condition

bit 7-4 **Unimplemented:** Read as '0'
bit 3-0 **NCH<3:0>:** Op Amp Inverting Input Channel Selection bits
See [Table 29-4: Inverting Input Sources](#)

TABLE 29-4: INVERTING INPUT SOURCES

NCH<3:0>	OPA1	OPA2	OPA3	OPA4 ⁽¹⁾
1111	Reserved. Do not use	Reserved. Do not use	Reserved. Do not use	Reserved. Do not use
1110	Reserved. Do not use	Reserved. Do not use	Reserved. Do not use	Reserved. Do not use
1101	Reserved. Do not use	Reserved. Do not use	Reserved. Do not use	Reserved. Do not use
1100	Reserved. Do not use	Reserved. Do not use	Reserved. Do not use	Reserved. Do not use
1011	Reserved. Do not use	Reserved. Do not use	Reserved. Do not use	Reserved. Do not use
1010	Reserved. Do not use	Reserved. Do not use	Reserved. Do not use	Reserved. Do not use
1001	Reserved. Do not use	Reserved. Do not use	Reserved. Do not use	Reserved. Do not use
1000	PRG2_out	PRG2_out	PRG4_out ⁽¹⁾	PRG4_out
0111	PRG1_out	PRG1_out	PRG3_out	PRG3_out
0110	FVR_Buffer1	FVR_Buffer1	FVR_Buffer2	FVR_Buffer2
0101	DAC4_out	DAC4_out	DAC8_out ⁽¹⁾	DAC8_out
0100	DAC3_out	DAC3_out	DAC7_out	DAC7_out
0011	DAC2_out	DAC2_out	DAC6_out ⁽¹⁾	DAC6_out
0010	DAC1_out	DAC1_out	DAC5_out	DAC5_out
0001	OPA1IN1-	OPA2IN1-	OPA3IN1- ⁽¹⁾	OPA4IN1-
0000	OPA1IN0-	OPA2IN0-	OPA3IN0-	OPA3IN0-

Note 1: PIC16(L)F1777/9 only.

REGISTER 29-4: OPAXPCHS: OP AMP POSITIVE CHANNEL SOURCE SELECT REGISTER

U-0	U-0	U-0	U-0	R/W-0/0	R/W-0/0	R/W-0/0	R/W-0/0
—	—	—	—	PCH<3:0>			
bit 7							bit 0

Legend:

R = Readable bit	W = Writable bit	U = Unimplemented bit, read as '0'
u = Bit is unchanged	x = Bit is unknown	-n/n = Value at POR and BOR/Value at all other Resets
'1' = Bit is set	'0' = Bit is cleared	q = Value depends on condition

bit 7-4 **Unimplemented:** Read as '0'

bit 3-0 **PCH<3:0>:** Op Amp Non-Inverting Input Channel Selection bits
See [Table 29-5: Non-Inverting Input Sources](#)

TABLE 29-5: NON-INVERTING INPUT SOURCES

NCH<3:0>	OPA1	OPA2	OPA3	OPA4 ⁽¹⁾
1111	Reserved. Do not use	Reserved. Do not use	Reserved. Do not use	Reserved. Do not use
1110	Reserved. Do not use	Reserved. Do not use	Reserved. Do not use	Reserved. Do not use
1101	Reserved. Do not use	Reserved. Do not use	Reserved. Do not use	Reserved. Do not use
1100	Reserved. Do not use	Reserved. Do not use	Reserved. Do not use	Reserved. Do not use
1011	Reserved. Do not use	Reserved. Do not use	Reserved. Do not use	Reserved. Do not use
1010	Reserved. Do not use	Reserved. Do not use	Reserved. Do not use	Reserved. Do not use
1001	Reserved. Do not use	Reserved. Do not use	Reserved. Do not use	Reserved. Do not use
1000	PRG2_out	PRG2_out	PRG4_out ⁽¹⁾	PRG4_out
0111	PRG1_out	PRG1_out	PRG3_out	PRG3_out
0110	FVR_Buffer1	FVR_Buffer1	FVR_Buffer2	FVR_Buffer2
0101	DAC4_out	DAC4_out	DAC8_out ⁽¹⁾	DAC8_out
0100	DAC3_out	DAC3_out	DAC7_out	DAC7_out
0011	DAC2_out	DAC2_out	DAC6_out ⁽¹⁾	DAC6_out
0010	DAC1_out	DAC1_out	DAC5_out	DAC5_out
0001	OPA1IN1+	OPA2IN1+	OPA3IN1+ ⁽¹⁾	OPA4IN1+
0000	OPA1IN0+	OPA2IN0+	OPA3IN0+	OPA4IN0+

Note 1: PIC16(L)F1777/9 only.

PIC16(L)F1777/8/9

TABLE 29-6: SUMMARY OF REGISTERS ASSOCIATED WITH OP AMPS

Name	Bit 7	Bit 6	Bit 5	Bit 4	Bit 3	Bit 2	Bit 1	Bit 0	Register on Page
ANSELB	---	---	ANSB5	ANSB4	ANSB3	ANSB2	ANSB1	ANSB0	182
ANSELC	ANSC7	ANSC6	ANSC5	ANSC4	ANSC3	ANSC2	—	—	187
DAC1CON0	EN	FM	OE1	OE2	PSS<1:0>		NSS<1:0>		249
DAC2CON0	EN	FM	OE1	OE2	PSS<1:0>		NSS<1:0>		249
DAC5CON0	EN	FM	OE1	OE2	PSS<1:0>		NSS<1:0>		249
DAC3CON0	EN	—	OE1	OE2	PSS<1:0>		NSS<1:0>		244
DAC4CON0	EN	—	OE1	OE2	PSS<1:0>		NSS<1:0>		244
DAC7CON0	EN	—	OE1	OE2	PSS<1:0>		NSS<1:0>		244
DAC3REF	---	---	---	REF<4:0>					245
DAC4REF	---	---	---	REF<4:0>					245
DAC7REF	---	---	---	REF<4:0>					245
DAC1REFH	REF<9:x> (x Depends on FM bit)								250
DAC2REFH	REF<9:x> (x Depends on FM bit)								250
DAC5REFH	REF<9:x> (x Depends on FM bit)								250
FVRCON	FVREN	FVRRDY	TSEN	TSRNG	CDAFVR<1:0>		ADFVR<1:0>		223
OPAxCON	EN	—	—	UG	—	ORPOL	ORM<1:0>		408
OPAxNCHS	—	—	—	—	NCH<3:0>				410
OPAxPCHS	—	—	—	—	PCH<3:0>				411
OPAxORS	—	—	—	ORS<4:0>					409
TRISB	TRISB7	TRISB6	TRISB5	TRISB4	TRISB3	TRISB2	TRISB1	TRISB0	181
TRISC	TRISC7	TRISC6	TRISC5	TRISC4	TRISC3	TRISC2	TRISC1	TRISC0	186

Legend: — = unimplemented location, read as '0'. Shaded cells are not used by op amps.

30.0 PROGRAMMABLE RAMP GENERATOR (PRG) MODULE

The Programmable Ramp Generator (PRG) module is designed to provide rising and falling linear ramps. Typical applications include slope compensation for fixed frequency, continuous current, and Current mode switched power supplies. Slope compensation is a necessary feature of these power supplies because it prevents frequency instabilities at duty cycles greater than 50%.

The PRG has the following features:

- Linear positive and negative voltage ramp outputs
- Programmable current source/sink
- Internal and external reference voltage selection
- Internal and external timing source selection

A simplified block diagram of the PRG is shown in [Figure 30-1](#).

TABLE 30-1: AVAILABLE PRG MODULES

Device	PRG1	PRG2	PRG3	PRG4
PIC16(L)F1778	•	•	•	
PIC16(L)F1777/9	•	•	•	•

30.1 Fundamental Operation

The PRG can be operated in three voltage ramp generator modes:

- Falling Voltage (slope compensation)
- Rising Voltage
- Alternating Rising and Falling Voltage

In the Rising or Falling mode an internal capacitor is discharged when the `set_falling` timing input is true and charged by an internally generated constant current when the `set_rising` timing input is true. The resulting linear ramp starts at the selected voltage input level and resets back to that level when the ramp is terminated by the `set_falling` timing input. The `set_falling` input dominates when both timing inputs are true.

To control the operation with a single-ended source, select the same source for both the `set_rising` and `set_falling` inputs and invert the polarity of one of them with the corresponding polarity control bit.

In the Alternating mode the capacitor is not discharged but alternates between being charged in one direction then the other.

Input selections are identical for all modes. The input voltage is supplied by any of the following:

- The PRGxIN0 or PRGxIN1 pins
- The buffered output of the internal Fixed Voltage Reference (FVR),
- Any of the internal DACs.

The timing sources are selected from the following:

- The synchronized output of any comparator
- Any PWM output
- Any I/O pin

The ramp output is available as an input to any of the comparators or op amps.

30.1.1 SLOPE COMPENSATION

Slope compensation works by quickly discharging an internal capacitor at the beginning of each PWM period. One side of the internal capacitor is connected to the voltage input source and the other side is connected to the internal current sink. The internal current sink charges this capacitor at a programmable rate. As the capacitor charges, the capacitor voltage is subtracted from the voltage source, producing a linear voltage decay at the required rate (see [Figure 30-2](#)). The ramp terminates and the capacitor is discharged when the `set_falling` timing input goes true. The next ramp starts when the `set_rising` timing input goes true.

Enabling the optional one-shot by setting the OS bit of the PRGxCON0 register ensures that the capacitor is fully discharged by overriding the `set_rising` timing input and holding the shorting switch closed for at least the one-shot period, typically 50 ns. Edge sensitive timing inputs that occur during the one-shot period will be ignored. Level sensitive timing inputs that occur during, and extend beyond, the one-shot period will be suspended until the end of the one-shot time.

30.1.2 RAMP GENERATION

Ramp generation is similar to slope compensation except that the slope is either both rising and falling or just rising.

30.1.2.1 Alternating Rising/Falling Ramps

The alternating rising/falling ramp generation function works by employing the built-in current source and sink and relying on the synchronous control of the internal analog switches and timing sources to ramp the module's output voltage up and then subsequently down.

Once initialized, the output voltage is ramped up linearly by the current source at a programmable rate until the `set_falling` timing source goes true, at which point the current source is disengaged. At the same time, the current sink is engaged to linearly ramp down the output voltage, also at a programmable rate, until the `set_rising` timing input goes true, thereby reversing the ramp slope. The process then repeats to create a saw tooth like waveform as shown in [Figure 30-3](#) and [Figure 30-4](#).

The `set_rising` and `set_falling` timing inputs can be either edge or level sensitive which is selected by the respective REDG and FEDG bits of the PRGxCON0 register. Edge sensitive operation is recommended for periodic signals such as clocks, and level sensitive operation is recommended for analog limit triggers such as comparator outputs.

When the one-shot is enabled (OS bit is set) then both the falling and rising ramps will persist for a minimum of the one-shot period. Edge sensitive timing inputs that occur during the one-shot period will be ignored. Level

PIC16(L)F1777/8/9

sensitive timing inputs that occur during, and extend beyond, the one-shot period will be suspended until the end of the one-shot time.

30.1.2.2 Rising Ramp

The Rising Ramp mode is identical to the Slope Compensation mode except that the ramps have a rising slope instead of a falling slope. One side of the internal capacitor is connected to the voltage input source and the other side is connected to the internal current source. The internal current source charges this capacitor at a programmable rate. As the capacitor charges, the capacitor voltage is added to the voltage source, producing a linear voltage rise at the required rate (see [Figure 30-5](#)). The ramp terminates and the capacitor is discharged when the `set_falling` timing input goes true. The next ramp starts when the `set_rising` timing input goes true.

Enabling the optional one-shot by setting the OS bit of the PRGxCON0 register ensures that the capacitor is fully discharged by overriding the `set_rising` timing input and holding the shorting switch closed for at least the one-shot period, typically 50 ns. Edge sensitive timing inputs that occur during the one-shot period will be ignored. Level sensitive timing inputs that occur during, and extend beyond, the one-shot period will be suspended until the end of the one-shot time.

30.2 Enable, Ready, Go

The EN bit of the PRGxCON0 register enables the analog circuitry including the current sources. This permits preparing the PRG module for use and allowing it to become stable before putting it into operation. When the EN bit is set then the timing inputs are enabled so that initial ramp action can be determined before the GO bit is set. The capacitor shorting switch is closed when the EN bit is set and remains closed while the GO bit is zero.

The RDY bit of the PRGxCON1 register indicates that the analog circuits and current sources are stable.

The GO bit of the PRGxCON0 register enables the switch control circuits, thereby putting the PRG into operation. The GO transition from cleared to set triggers the one-shot, thereby extending the capacitor shorting switch closure for the one-shot period.

To ensure predictable operation, set the EN bit first then wait for the RDY bit to go high before setting the GO bit.

30.3 Independent Set_rising and Set_falling Timing Inputs

The timing inputs determine when the ramp starts and stops. In the Alternating Rising/Falling mode the ramp rises when the `set_rising` input goes true and falls when the `set_falling` input goes true. In the Slope Compensation and Rising Ramp modes the capacitor is discharged when the `set_falling` timing input goes true and the ramp starts when the `set_rising` timing input goes true. The `set_falling` input dominates the `set_rising` input.

30.4 Level and Edge Timing Sensitivity

The `set_rising` and `set_falling` timing inputs can be independently configured as either level or edge sensitive.

Level sensitive operation is useful when it is necessary to detect a timing input true state after an overriding condition ceases. For example, level sensitivity is useful for capacitor generated timing inputs that may be suppressed by the overriding action of the one-shot. With level sensitivity a capacitor output that changes during the one-shot period will be detected at the end of the one-shot time. With edge sensitivity the change would be ignored.

Edge sensitive operation is useful for periodic timing inputs such as those generated by PWMs and clocks. The duty cycle of a level sensitive periodic signal may interfere with the other timing input. Consider an Alternating Ramp mode with a level sensitive 50% PWM as the `set_rising` timing source and a level sensitive comparator as the `set_falling` timing source. If the comparator output reverses the ramp while the PWM signal is still high then the ramp will improperly reverse again when the comparator signal goes low. That same scenario with the `set_rising` timing input set for edge sensitivity would properly change the ramp output to rising only on the rising edge of the PWM signal.

`Set_rising` and `set_falling` timing input edge sensitivity is selected with the respective REDG and FEDG bits of the PRGxCON1 register.

30.5 One-Shot Minimum Timing

The one-shot timer ensures a minimum capacitor discharge time in the Slope Compensation and Rising Ramp modes, and a minimum rising or falling ramp duration in the Alternating Ramp mode. Setting the OS bit of the PRGxCON0 register enables the one-shot timer.

30.6 DAC Voltage Sources

When using any of the DACs as the voltage source expect a voltage offset equal to the current setting times the DAC equivalent resistance. This will be a constant offset in the Slope Compensation and Ramp modes and a positive/negative step offset in the Alternating mode. To avoid this limitation, feed the DAC output to the PRG input through one of the op amps set for unity gain.

30.7 Operation During Sleep

The RG module is unaffected by Sleep.

30.8 Effects of a Reset

The RG module resets to a disabled condition.

FIGURE 30-1: SIMPLIFIED PRG MODULE BLOCK DIAGRAM



Rev. 10-000220A
5/29/2014

FIGURE 30-2: SLOPE COMPENSATION (FALLING RAMP) TIMING DIAGRAM (MODE = 00)

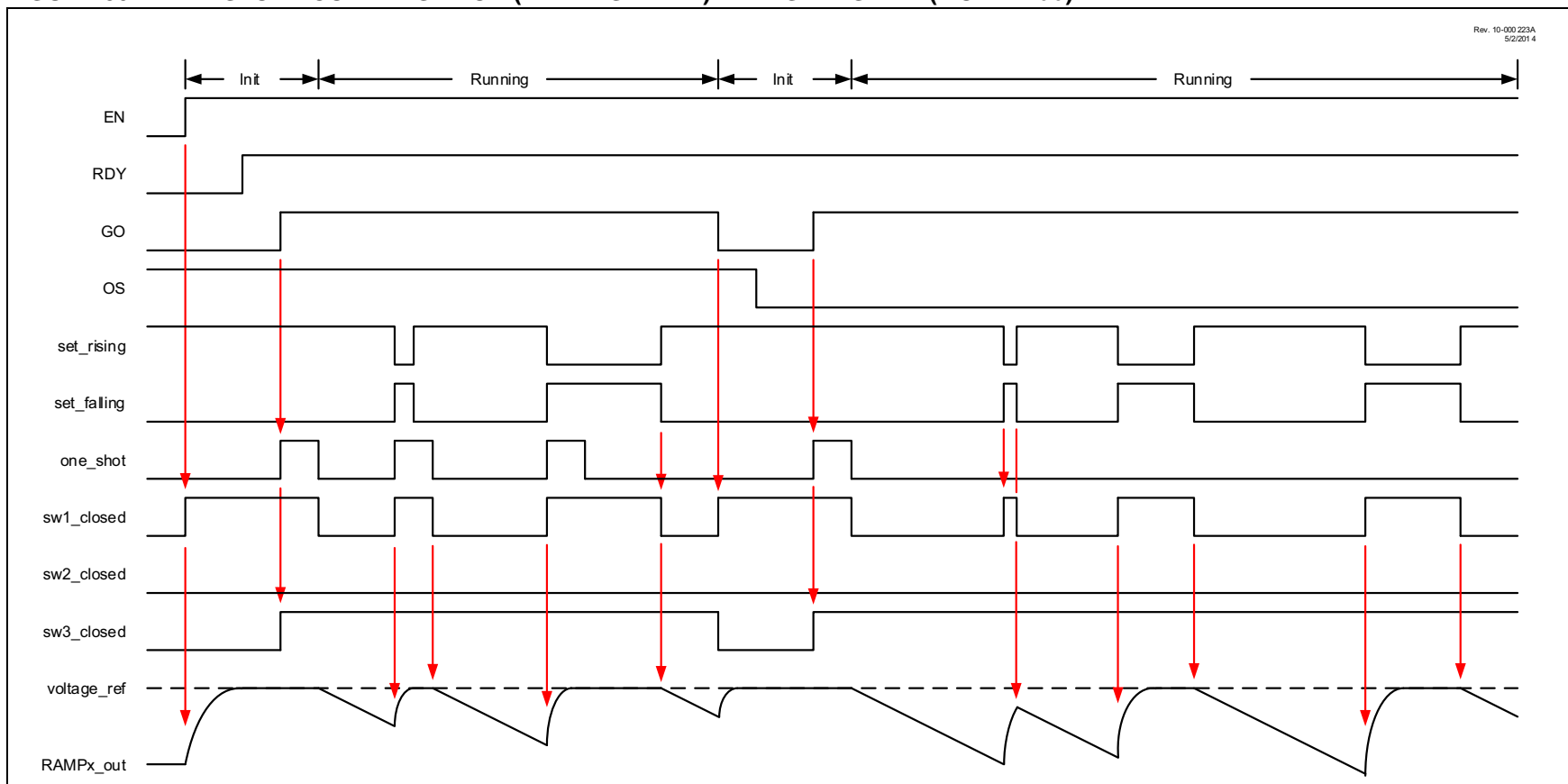


FIGURE 30-3: ALTERNATING RISING/FALLING RAMP GENERATION TIMING DIAGRAM (OS = 0, MODE = 01)

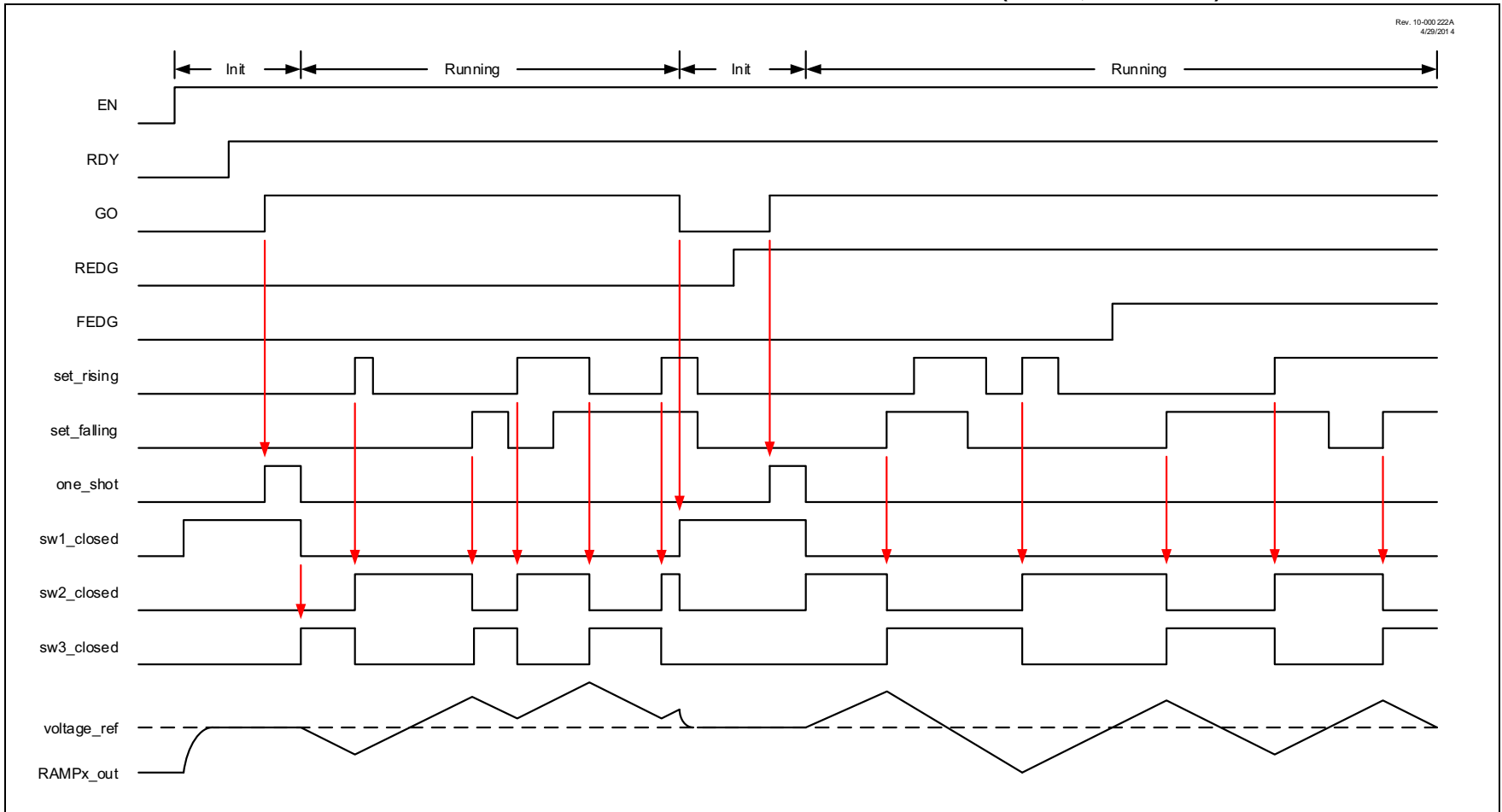
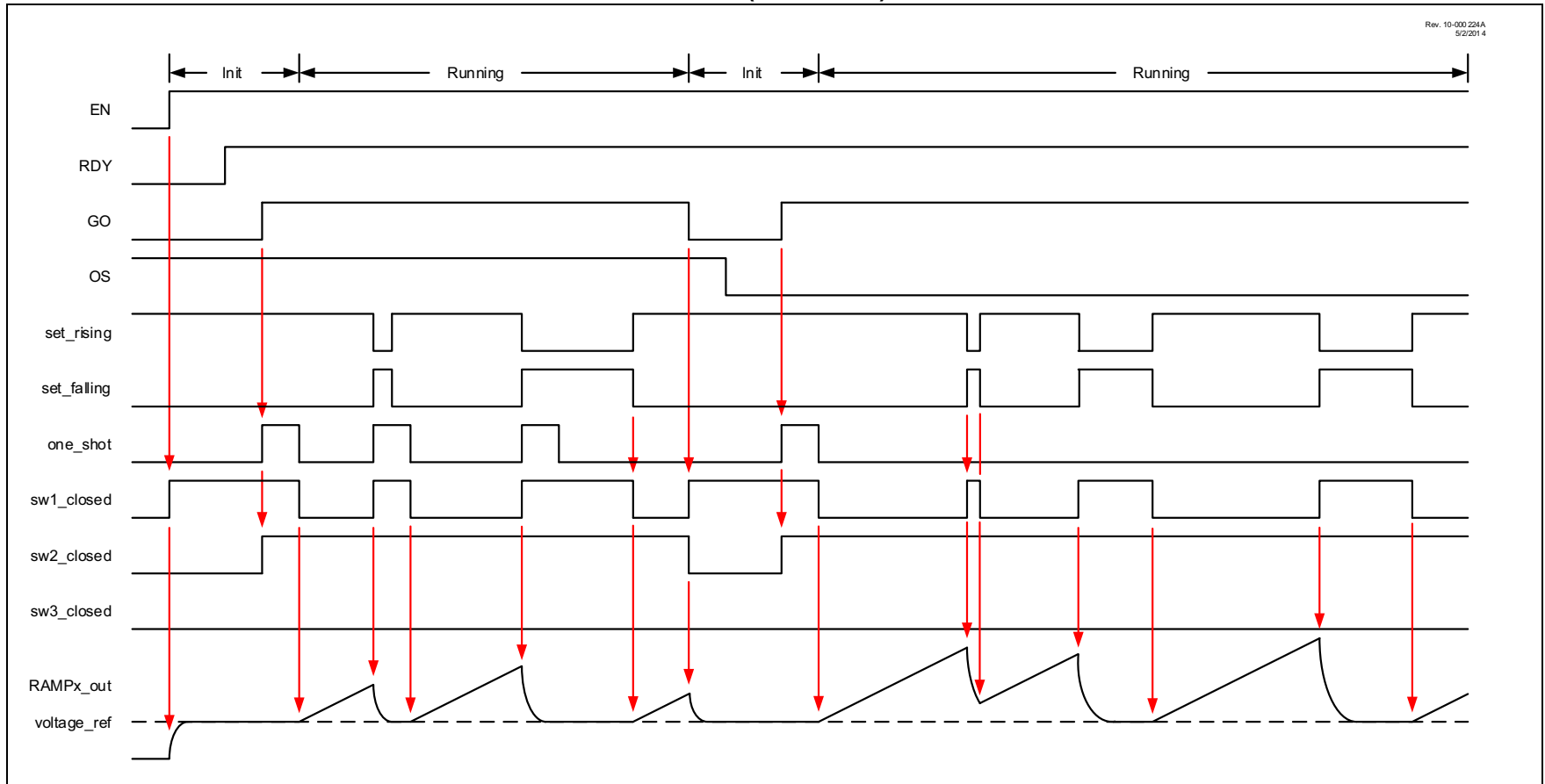


FIGURE 30-4: ALTERNATING RISING/FALLING RAMP GENERATION TIMING DIAGRAM (OS = 1, MODE = 01)



FIGURE 30-5: RISING RAMP GENERATION TIMING DIAGRAM (MODE = 10)



PIC16(L)F1777/8/9

30.9 Slope Compensation Application

An example slope compensation circuit is shown in Figure 30-6. The PRG input voltage is PRGxIN which shares an I/O pin with the op amp output. The op amp output is designed to operate at the expected peak current sense voltage (i.e., VREF). The PRG output voltage starts at VREF and should fall at a rate less than half the target circuit current sense voltage rate of rise. Therefore, the compensator slope expressed as volts per μs can be computed by Equation 30-1.

EQUATION 30-1:

$$\frac{V}{\mu s} \geq \frac{\frac{V_{REF}}{2}}{PWM\ Period\ (\mu s)}$$

For example, when the circuit is using a 1Ω current sense resistor and the peak current is 1A, then the peak current expressed as a voltage is 1V. Therefore, for this example, the op amp output should be designed to operate at 1V. If the power supply PWM frequency is 1 MHz, then the period is 1 μs. Therefore, the desired slope is 0.5 V/μs, which is computed as shown in Equation 30-2.

EQUATION 30-2:

$$\frac{\frac{V_{REF}}{2}}{PWM\ Period\ (\mu s)} = \frac{\frac{1}{2}}{1\ \mu s} = 0.5\ V/\mu s$$

Note: The setting for 0.5V/μs is ISET<4:0> = 6

FIGURE 30-6: EXAMPLE SLOPE COMPENSATION CIRCUIT



30.10 Register Definitions: Slope Compensation Control

Long bit name prefixes for the PRG peripherals are shown in Table 30-2. Refer to Section 1.1 “Register and Bit naming conventions” for more information

TABLE 30-2:

Peripheral	Bit Name Prefix
PRG1	RG1
PRG2	RG2
PRG3	RG3
PRG4 ⁽¹⁾	RG4

Note 1: PIC16(L)F1777/9 only.

REGISTER 30-1: PRG_xCON0: PROGRAMMABLE RAMP GENERATOR CONTROL 0 REGISTER

R/W-0/0	U-0	R/W-0/0	R/W-0/0	R/W-0/0	R/W-0/0	R/W-0/0	R/W-0/0
EN	—	FEDG	REDG	MODE<1:0>		OS	GO
bit 7							bit 0

Legend:

R = Readable bit	W = Writable bit	U = Unimplemented bit, read as '0'
u = Bit is unchanged	x = Bit is unknown	-n/n = Value at POR and BOR/Value at all other Resets
'1' = Bit is set	'0' = Bit is cleared	q = value depends on configuration bits

- bit 7 **EN:** Programmable Ramp Generator Enable bit
1 = PRG module is enabled
0 = PRG module is disabled
- bit 6 **Unimplemented:** Read as '0'
- bit 5 **FEDG:** Set_falling Input Mode Select bit
1 = Set_falling timing input is edge sensitive
0 = Set_falling timing input is level sensitive
- bit 4 **REDG:** Set_rising Input Mode Select bit
1 = Set_rising timing input is edge sensitive
0 = Set_rising timing input is level sensitive
- bit 3-2 **MODE<1:0>:** Programmable Ramp Generator Mode Selection bits
11 = Reserved
10 = Rising Ramp Generator
01 = Alternating Rising/Falling Ramp Generator
00 = Slope Compensation
- bit 1 **OS:** One-Shot Enable bit
1 = One-shot is enabled. Minimum capacitor discharge is internally timed by one-shot.
0 = One-shot is disabled. Capacitor is discharged when timing input is true.
- bit 0 **GO:** Ramp Generation Control Start bit
if EN = 1:
1 = Slope or Ramp function is operating
0 = Slope or Ramp function is not operating. All current source current source switches are open and capacitor discharge switch is closed.
If EN = 0:
This bit is forced to 0

PIC16(L)F1777/8/9

REGISTER 30-2: PRGxCON1: PROGRAMMABLE RAMP GENERATOR CONTROL 1 REGISTER

U-0	U-0	U-0	U-0	U-0	R-0	R/W-0/0	R/W-0/0
—	—	—	—	—	RDY	FPOL	RPOL
bit 7							bit 0

Legend:

R = Readable bit	W = Writable bit	U = Unimplemented bit, read as '0'
u = Bit is unchanged	x = Bit is unknown	-n/n = Value at POR and BOR/Value at all other Resets
'1' = Bit is set	'0' = Bit is cleared	q = value depends on configuration bits

- bit 7-3 **Unimplemented:** Read as '0'
- bit 2 **RDY:** Slope Generator Ready Status bit
1 = PRG is ready
0 = PRG is not ready
- bit 1 **FPOL:** Fall Event Polarity Select bit
1 = Set_falling timing input is active-low
0 = Set_falling timing input is active-high
- bit 0 **RPOL:** Rise Event Polarity Select bit
1 = Set_rising timing input is active-low
0 = Set_rising timing input is active-high

REGISTER 30-3: PRGxINS: VOLTAGE INPUT SELECT REGISTER

U-0	U-0	U-0	U-0	R/W-0/0	R/W-0/0	R/W-0/0	R/W-0/0
—	—	—	—	INS<3:0>			
bit 7							bit 0

Legend:

R = Readable bit	W = Writable bit	U = Unimplemented bit, read as '0'
u = Bit is unchanged	x = Bit is unknown	-n/n = Value at POR and BOR/Value at all other Resets
'1' = Bit is set	'0' = Bit is cleared	q = value depends on configuration bits

- bit 7-4 **Unimplemented:** Read as '0'
- bit 3-0 **INS<3:0>:** Voltage Input Select bits
Selects source of voltage level at which the ramp starts. See [Table 30-3](#).

TABLE 30-3: VOLTAGE INPUT SOURCES

INS<2:0>	PRG1 Voltage Source	PRG2 Voltage Source	PRG3 Voltage Source	PRG4 Voltage Source ⁽²⁾
1010-1111	Reserved	Reserved	Reserved	Reserved
1001 ⁽¹⁾	Switched PRG1IN1/OPA2OUT	Switched PRG1IN1/OPA2OUT	Switched PRG3IN1/OPA4OUT ⁽²⁾	Switched PRG4IN1/OPA3OUT
1000 ⁽¹⁾	Switched PRG1IN0/OPA1OUT	Switched PRG1IN0/OPA1OUT	Switched PRG3IN0/OPA3OUT	Switched PRG4IN0/OPA4OUT
0111	Reserved	Reserved	Reserved	Reserved
0110	DAC4_output	DAC4_output	DAC8_output ⁽²⁾	DAC8_output
0101	DAC3_output	DAC3_output	DAC7_output	DAC7_output
0100	DAC2_output	DAC2_output	DAC6_output ⁽²⁾	DAC6_output
0011	DAC1_output	DAC1_output	DAC5_output	DAC5_output
0010	FVR_buffer1	FVR_buffer1	FVR_buffer2	FVR_buffer2
0001	PRG1IN1/OPA2OUT	PRG2IN1/OPA1OUT	PRG3IN1/OPA4OUT ⁽²⁾	PRG4IN1/OPA3OUT
0000	PRG1IN0/OPA1OUT	PRG2IN0/OPA2OUT	PRG3IN0/OPA3OUT	PRG4IN0/OPA4OUT

- Note 1:** Input source is switched off when op amp override is forcing tri-state. See [Section 29.3 "Override Control"](#).
- Note 2:** PIC16(L)F1777/9 only.

REGISTER 30-4: PRGxCON2: PROGRAMMABLE RAMP GENERATOR CONTROL 2 REGISTER

U-0	U-0	U-0	R/W-0/0	R/W-0/0	R/W-0/0	R/W-0/0	R/W-0/0
—	—	—	ISET<4:0>				
bit 7							bit 0

Legend:

R = Readable bit	W = Writable bit	U = Unimplemented bit, read as '0'
u = Bit is unchanged	x = Bit is unknown	-n/n = Value at POR and BOR/Value at all other Resets
'1' = Bit is set	'0' = Bit is cleared	q = value depends on configuration bits

bit 7-5 **Unimplemented:** Read as '0'

bit 4-0 **ISET<4:0>:** PRG Current Source/Sink Set bits
Current source/sink setting and slope rate. See [Table 30-4](#).

TABLE 30-4: PROGRAMMABLE RAMP GENERATOR CURRENT SETTINGS

ISET<4:0>	Current Setting (uA)	Slope Rate (V/us)	ISET<4:0>	Current Setting (uA)	Slope Rate (V/us)
0h	2	0.2	10h	10	1.0
1h	2.5	0.25	11h	11	1.1
2h	3	0.3	12h	12	1.2
3h	3.5	0.35	13h	13	1.3
4h	4	0.4	14h	14	1.4
5h	4.5	0.45	15h	15	1.5
6h	5	0.5	16h	16	1.6
7h	5.5	0.55	17h	17	1.7
8h	6	0.6	18h	18	1.8
9h	6.5	0.65	19h	19	1.9
Ah	7	0.7	1Ah	20	2.0
Bh	7.5	0.75	1Bh	21	2.1
Ch	8	0.8	1Ch	22	2.2
Dh	8.5	0.85	1Dh	23	2.3
Eh	9	0.9	1Eh	24	2.4
Fh	9.5	0.95	1Fh	25	2.5

PIC16(L)F1777/8/9

REGISTER 30-5: PRGxRTSS: SET_RISING TIMING SOURCE SELECT REGISTER

U-0	U-0	U-0	U-0	R/W-0/0	R/W-0/0	R/W-0/0	R/W-0/0
—	—	—	—	RTSS<3:0>			
bit 7				bit 0			

Legend:

R = Readable bit W = Writable bit U = Unimplemented bit, read as '0'
u = Bit is unchanged x = Bit is unknown -n/n = Value at POR and BOR/Value at all other Resets
'1' = Bit is set '0' = Bit is cleared q = value depends on configuration bits

bit 7-4 **Unimplemented:** Read as '0'
bit 3-0 **RTSS<3:0>:** Set_rising Timing Source Select bits
See [Table 30-5](#).

REGISTER 30-6: PRGxFTSS: SET_FALLING TIMING SOURCE SELECT REGISTER

U-0	U-0	U-0	U-0	R/W-0/0	R/W-0/0	R/W-0/0	R/W-0/0
—	—	—	—	FTSS<3:0>			
bit 7				bit 0			

Legend:

R = Readable bit W = Writable bit U = Unimplemented bit, read as '0'
u = Bit is unchanged x = Bit is unknown -n/n = Value at POR and BOR/Value at all other Resets
'1' = Bit is set '0' = Bit is cleared q = value depends on configuration bits

bit 7-4 **Unimplemented:** Read as '0'
bit 3-0 **FTSS<3:0>:** Set_falling Timing Source Select bits
See [Table 30-5](#).

TABLE 30-5: PROGRAMMABLE RAMP GENERATOR TIMING SOURCES

RTSS<3:0>/ FTSS<3:0>	PRG1 Timing Source	PRG2 Timing Source	PRG3 Timing Source	PRG4 Timing Source ⁽²⁾
1111	Reserved	Reserved	PWM12_output ⁽²⁾	PWM12_output
1110	Reserved	Reserved	PWM11_output	PWM11_output
1101	LC2_out	LC2_out	PWM6_output	PWM6_output
1100	LC1_out	LC1_out	PWM5_output	PWM5_output
1011	PWM10_output ⁽²⁾	PWM10_output ⁽²⁾	Reserved	Reserved
1010	PWM9_output	PWM9_output	Reserved	Reserved
1001	PWM4_output	PWM4_output	LC4_out ⁽²⁾	LC4_out
1000	PWM3_output	PWM3_output	LC3_out	LC3_out
0111	PRGxR/PRGxF Pin ⁽¹⁾	PRGxR/PRGxF Pin ⁽¹⁾	PRGxR/PRGxF Pin ⁽¹⁾	PRGxR/PRGxF Pin ⁽¹⁾
0110	Reserved	Reserved	sync_C7OUT ⁽²⁾	sync_C7OUT
0101	Reserved	Reserved	sync_C6OUT	sync_C6OUT
0100	Reserved	Reserved	sync_C5OUT	sync_C5OUT
0011	sync_C4OUT	sync_C4OUT	Reserved	Reserved
0010	sync_C3OUT	sync_C3OUT	Reserved	Reserved
0001	sync_C2OUT	sync_C2OUT	Reserved	Reserved
0000	sync_C1OUT	sync_C1OUT	Reserved	Reserved

Note 1: Input pin is selected with the PRGxRPPS or PRGxFPPS register.

2: PIC16(L)F1777/9 only.

PIC16(L)F1777/8/9

TABLE 30-6: SUMMARY OF REGISTERS ASSOCIATED WITH THE PRG MODULE⁽¹⁾

Name	Bit 7	Bit 6	Bit 5	Bit 4	Bit 3	Bit 2	Bit 1	Bit 0	Register on Page
PRGxCON0	EN	—	FEDG	REDG	MODE<1:0>		OS	GO	421
PRGxCON1	—	—	—	—	—	RDY	FPOL	RPOL	422
PRGxCON2	—	—	—	ISET<4:0>					423
PRGxINS	—	—	—	—	INS<3:0>				422
PRGxRPPS	—	—	PRGxRPPS<5:0>						424
PRGxFPPS	—	—	PRGxFPPS<5:0>						424
PRGxRTSS	—	—	—	—	RTSS<3:0>				205, 207
PRGxFTSS	—	—	—	—	FTSS<3:0>				205, 207
PORTC	RC7	RC6	RC5	RC4	RC3	RC2	RC1	RC0	186
TRISC	TRISC7	TRISC6	TRISC5	TRISC4	TRISC3	TRISC2	TRISC1	TRISC0	186
ANSELC	ANSC7	ANSC6	ANSC5	ANSC4	ANSC3	ANSC2	—	—	187
WPUC	WPUC7	WPUC6	WPUC5	WPUC4	WPUC3	WPUC2	WPUC1	WPUC0	188

Legend: — = unimplemented, read as '0'. Shaded cells are unused by the PRG module.

Note 1: PRG4 available on PIC16(L)F1777/9 only.

31.0 DATA SIGNAL MODULATOR (DSM)

The Data Signal Modulator (DSM) is a peripheral that allows the user to mix a data stream, also known as a modulator signal, with a carrier signal to produce a modulated output.

Both the carrier and the modulator signals are supplied to the DSM module either internally, from the output of a peripheral, or externally through an input pin.

The modulated output signal is generated by performing a logical “AND” operation of both the carrier and modulator signals and then provided to the MDxOUT pin.

The carrier signal is comprised of two distinct and separate signals. A carrier high (CARH) signal and a carrier low (CARL) signal. During the time in which the modulator (MOD) signal is in a logic high state, the DSM mixes the carrier high signal with the modulator signal. When the modulator signal is in a logic low state, the DSM mixes the carrier low signal with the modulator signal.

Using this method, the DSM can generate the following types of Key Modulation schemes:

- Frequency-Shift Keying (FSK)
- Phase-Shift Keying (PSK)
- On-Off Keying (OOK)

Additionally, the following features are provided within the DSM module:

- Carrier Synchronization
- Carrier Source Polarity Select
- Carrier Source Pin Disable
- Programmable Modulator Data
- Modulator Source Pin Disable
- Modulated Output Polarity Select
- Slew Rate Control

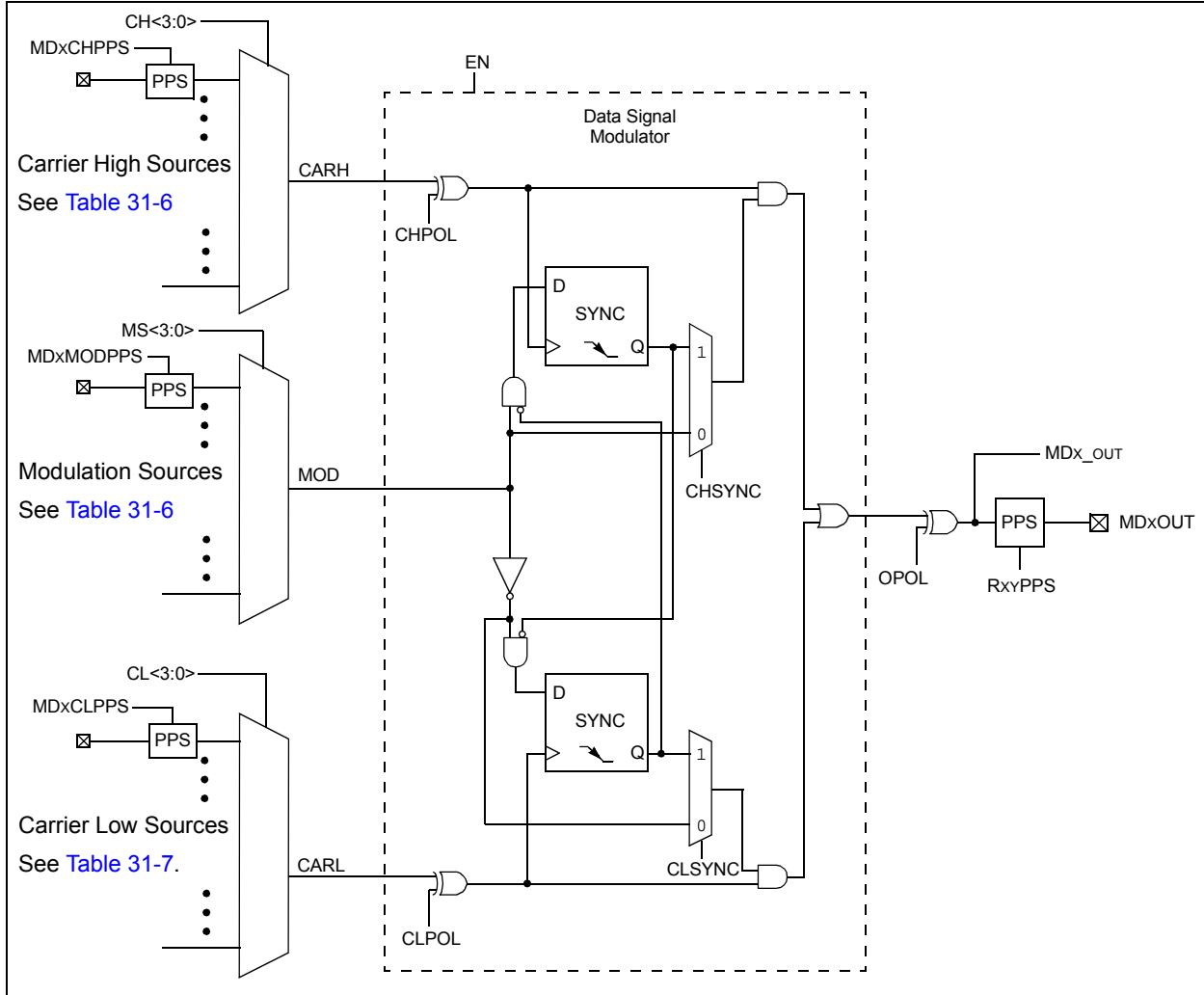
Figure 31-1 shows a Simplified Block Diagram of the Data Signal Modulator peripheral.

TABLE 31-1: AVAILABLE DSM MODULES

Device	DSM1	DSM2	DSM3	DSM4
PIC16(L)F1778	•	•	•	
PIC16(L)F1777/9	•	•	•	•

PIC16(L)F1777/8/9

FIGURE 31-1: SIMPLIFIED BLOCK DIAGRAM OF THE DATA SIGNAL MODULATOR



31.1 DSM Operation

The DSM module is enabled by setting the EN bit in the MDxCON register. Clearing the EN bit in the MDxCON register disables the DSM module by automatically switching the carrier high and carrier low signals to the Vss signal source. The modulator signal source is also switched to the BIT bit in the MDxCON0 register. This not only assures that the DSM module is inactive, but that it is also consuming the least amount of current.

The values used to select the carrier high, carrier low, and modulator sources held by the Modulation Source, Modulation High Carrier, and Modulation Low Carrier control registers are not affected when the EN bit is cleared and the DSM module is disabled. The values inside these registers remain unchanged while the DSM is inactive. The sources for the carrier high, carrier low and modulator signals will once again be selected when the EN bit is set and the DSM module is enabled and active.

The modulated output signal can be output on any device I/O pin by selecting the desired DSM module in the pin's PPS control register (see [Register 12-2](#)). If the output is not directed to any I/O pin then the DSM module will remain active and continue to mix signals, but the output value will not be sent to any pin.

31.2 Modulator Signal Sources

The modulator signal is selected by configuring the MS<4:0> bits of the MDxSRC register. Selections are shown in [Table 31-6](#).

31.3 Carrier Signal Sources

The carrier high signal is selected by configuring the CH<4:0> bits of the MDxCARH register. Selections are shown in [Table 31-6](#).

The carrier low signal is selected by configuring the CL<4:0> bits of the MDxCARL register. Selections are shown in [Table 31-7](#).

31.4 Carrier Synchronization

During the time when the DSM switches between carrier high and carrier low signal sources, the carrier data in the modulated output signal can become truncated. To prevent this, the carrier signal can be synchronized to the modulator signal. When synchronization is enabled, the carrier pulse that is being mixed at the time of the transition is allowed to transition low before the DSM switches over to the next carrier source.

Synchronization is enabled separately for the carrier high and carrier low signal sources. Synchronization for the carrier high signal is enabled by setting the CHSYNC bit of the MDxCON1 register. Synchronization for the carrier low signal is enabled by setting the CLSYNC bit of the MDxCON1 register.

[Figure 31-1](#) through [Figure 31-6](#) show timing diagrams of using various synchronization methods.

PIC16(L)F1777/8/9

FIGURE 31-2: ON OFF KEYING (OOK) SYNCHRONIZATION

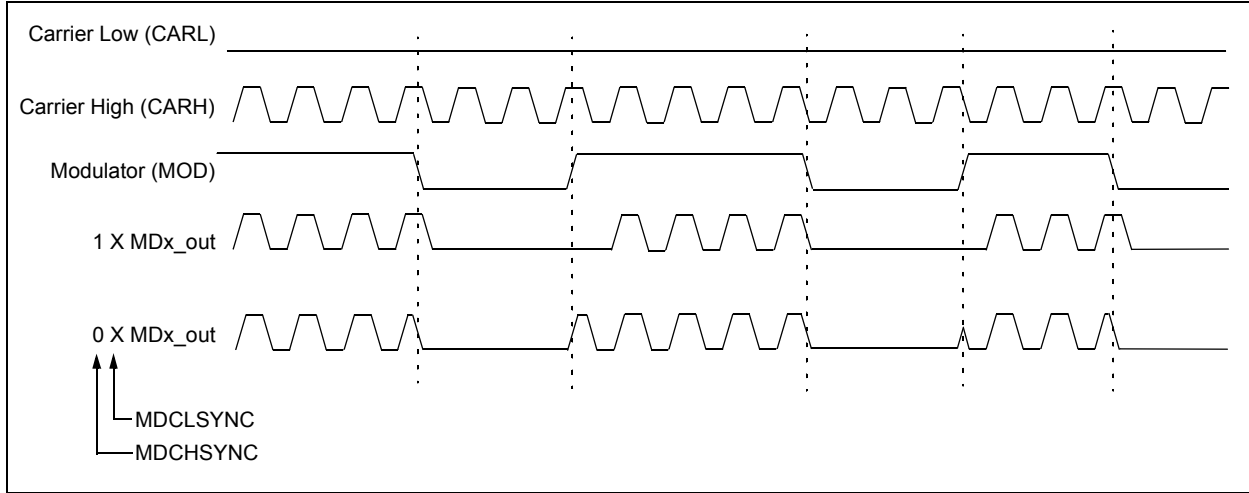


FIGURE 31-3: NO SYNCHRONIZATION (MDCHSYNC = 0, MDCLSYNC = 0)

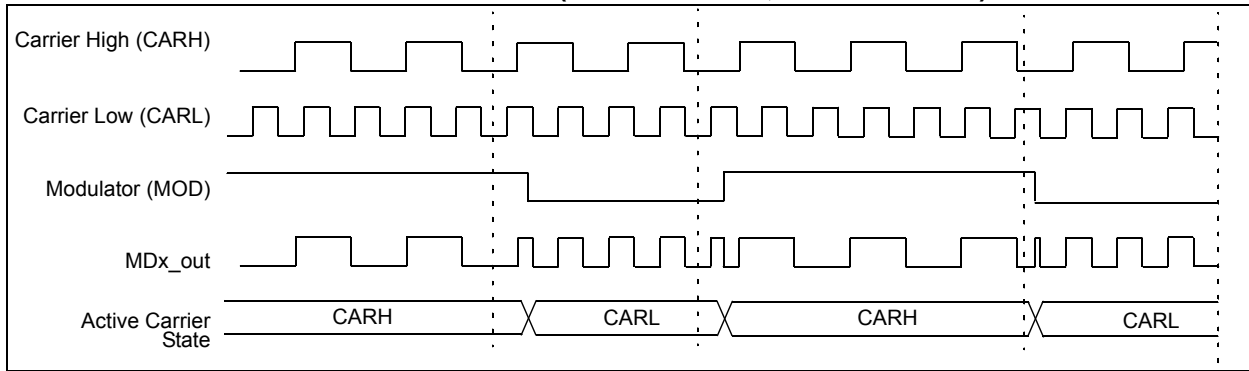


FIGURE 31-4: CARRIER HIGH SYNCHRONIZATION (MDCHSYNC = 1, MDCLSYNC = 0)

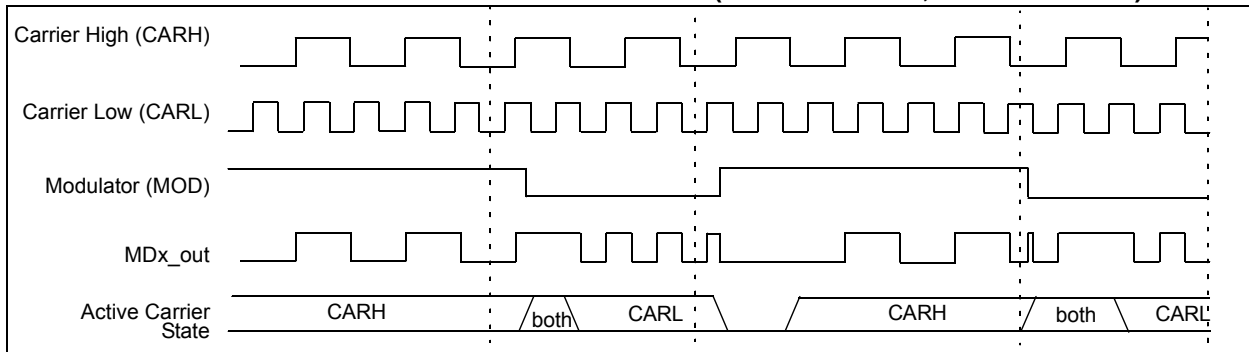


FIGURE 31-5: CARRIER LOW SYNCHRONIZATION (MDCHSYNC = 0, MDCLSYNC = 1)



FIGURE 31-6: FULL SYNCHRONIZATION (MDCHSYNC = 1, MDCLSYNC = 1)



PIC16(L)F1777/8/9

31.5 Input and Output Through Pins

The modulation and carrier sources may be selected to come from any device pin with the PPS control logic. Selecting a pin requires two settings: The source selection determines that the PPS will be used and the PPS control selects the desired pin. Source and PPS registers are identified in [Table 31-2](#). PPS register pin selections are shown in [Register 12-1](#) and [Register 12-2](#).

TABLE 31-2:

Source	Source Register	PPS Register
Modulation	MDxSRC	MDxMODPPS
Carrier High	MDxCARH	MDxCHPPS
Carrier Low	MDxCARL	MDxCLPPS

Any device pin can be selected as the modulation output with the individual pin PPS controls. See [Register 12-2](#) for the pin output selections.

31.6 Carrier Source Polarity Select

The signal provided from any selected input source for the carrier high and carrier low signals can be inverted. Inverting the signal for the carrier high source is enabled by setting the CHPOL bit of the MDxCON1 register. Inverting the signal for the carrier low source is enabled by setting the CLPOL bit of the MDxCON1 register.

31.7 Programmable Modulator Data

The BIT bit of the MDxCON0 register can be selected as the source for the modulator signal. When the BIT source is selected then software generates the modulation signal by setting and clearing the BIT bit at the respective desired modulation high and low times.

31.8 Modulated Output Polarity

The modulated output signal provided on the MDxOUT pin can also be inverted. Inverting the modulated output signal is enabled by setting the OPOL bit of the MDxCON0 register.

31.9 Operation in Sleep Mode

The DSM module is not affected by Sleep mode. The DSM will operate during Sleep provided that the Carrier and Modulator input sources are also active during Sleep.

31.10 Effects of a Reset

Upon any device Reset, the data signal modulator module is disabled. The user's firmware is responsible for initializing the module before enabling the output. The registers are reset to their default values.

31.11 Register Definitions: Data Signal Modulator

Long bit name prefixes for the 10-bit DAC peripherals are shown in Table 31-3. Refer to Section 1.1 “Register and Bit naming conventions” for more information

TABLE 31-3:

Peripheral	Bit Name Prefix
DSM1	DSM1
DSM2	DSM2
DSM3	DSM3
DSM4 ⁽¹⁾	DSM4

Note 1: PIC16(L)F1777/9 only.

REGISTER 31-1: MDxCON0: MODULATION CONTROL REGISTER 0

R/W-0/0	U-0	R-0/0	R/W-0/0	U-0	U-0	U-0	R/W-0/0
EN	—	OUT	OPOL	—	—	—	BIT
bit 7							bit 0

Legend:

R = Readable bit	W = Writable bit	U = Unimplemented bit, read as '0'
u = Bit is unchanged	x = Bit is unknown	-n/n = Value at POR and BOR/Value at all other Resets
'1' = Bit is set	'0' = Bit is cleared	

- bit 7 **EN:** Modulator Module Enable bit
 1 = Modulator module is enabled and mixing input signals
 0 = Modulator module is disabled and has no output
- bit 6 **Unimplemented:** Read as '0'
- bit 5 **OUT:** Modulator Output bit
 Displays the current output value of the modulator module.⁽¹⁾
- bit 4 **OPOL:** Modulator Output Polarity Select bit
 1 = Modulator output signal is inverted. Idle high output.
 0 = Modulator output signal is not inverted. Idle low output.
- bit 3-1 **Unimplemented:** Read as '0'
- bit 0 **BIT:** Allows direct software control of the modulation source input to module⁽²⁾
 1 = Modulator uses High Carrier source
 0 = Modulator uses Low Carrier source

- Note 1:** The modulated output frequency can be greater and asynchronous from the clock that updates this register bit, the bit value may not be valid for higher speed modulator or carrier signals.
- 2:** BIT must be selected as the modulation source in the MDSRC register for this operation.

PIC16(L)F1777/8/9

REGISTER 31-2: MDxCON1: MODULATION CONTROL REGISTER 1

U-0	U-0	R/W-0/0	R/W-0/0	U-0	U-0	R/W-0/0	R/W-0/0
—	—	CHPOL	CHSYNC	—	—	CLPOL	CLSYNC
bit 7							bit 0

Legend:

R = Readable bit W = Writable bit U = Unimplemented bit, read as '0'
u = Bit is unchanged x = Bit is unknown -n/n = Value at POR and BOR/Value at all other Resets
'1' = Bit is set '0' = Bit is cleared

- bit 7-6 **Unimplemented:** Read as '0'
- bit 5 **CHPOL:** Modulation High Carrier Polarity Select bit
1 = Selected high carrier source is inverted
0 = Selected high carrier source is not inverted
- bit 4 **CHSYNC:** Modulation High Carrier Synchronization Enable bit
1 = Modulator waits for a low edge on the high carrier before allowing a switch to the low carrier
0 = Modulator output is not synchronized to the high carrier⁽¹⁾
- bit 3-2 **Unimplemented:** Read as '0'
- bit 1 **CLPOL:** Modulation Low Carrier Polarity Select bit
1 = Selected low carrier source is inverted
0 = Selected low carrier source is not inverted
- bit 0 **CLSYNC:** Modulation Low Carrier Synchronization Enable bit
1 = Modulator waits for a low edge on the low carrier before allowing a switch to the high carrier
0 = Modulator output is not synchronized to the low carrier⁽¹⁾

Note 1: Narrowed carrier pulse widths or spurs may occur in the signal stream if the carrier is not synchronized.

REGISTER 31-3: MDxSRC: MODULATION SOURCE CONTROL REGISTER

U-0	U-0	U-0	R/W-x/u	R/W-x/u	R/W-x/u	R/W-x/u	R/W-x/u
—	—	—	MS<4:0>				
bit 7							bit 0

Legend:

R = Readable bit W = Writable bit U = Unimplemented bit, read as '0'
u = Bit is unchanged x = Bit is unknown -n/n = Value at POR and BOR/Value at all other Resets
'1' = Bit is set '0' = Bit is cleared

- bit 7-5 **Unimplemented:** Read as '0'
- bit 4-0 **MS<4:0>** Modulation Source Selection bits
See [Table 31-4](#) or [Table 31-5](#).

TABLE 31-4: MODULATION SOURCE

MS<4:0>	Modulation Source PIC16(L)F1777/9
11111	Reserved
11110	Reserved
11101	Reserved
11100	Reserved
11011	Reserved
11010	sync_C8OUT
11001	sync_C7OUT
11000	sync_C4OUT
10111	sync_C3OUT
10110	sync_C2OUT
10101	sync_C1OUT
10100	LC4_out
10011	LC3_out
10010	LC2_out
10001	LC1_out
10000	PWM12_out
01111	PWM11_out
01110	PWM6_out
01101	PWM5_out
01100	PWM10_out
01011	PWM9_out
01010	PWM4_out
01001	PWM3_out
01000	PWM8_out
00111	CCP7_out
00110	CCP2_out
00101	CCP1_out
00100	SDO_OUT
00011	DT
00010	TX_out
00001	MDxBIT
00000	MDxMODPPS pin selection

TABLE 31-5: MODULATION SOURCE

MS<4:0>	Modulation Source PIC16(L)F1778
11111	Reserved
11110	Reserved
11101	Reserved
11100	Reserved
11011	Reserved
11010	sync_C6OUT
11001	sync_C5OUT
11000	sync_C4OUT
10111	sync_C3OUT
10110	sync_C2OUT
10101	sync_C1OUT
10100	LC4_out
10011	LC3_out
10010	LC2_out
10001	LC1_out
10000	Reserved
01111	PWM11_out
01110	PWM6_out
01101	PWM5_out
01100	Reserved
01011	PWM9_out
01010	PWM4_out
01001	PWM3_out
01000	Reserved
00111	CCP7_out
00110	CCP2_out
00101	CCP1_out
00100	SDO_OUT
00011	DT
00010	TX_out
00001	MDxBIT
00000	MDxMODPPS pin selection

PIC16(L)F1777/8/9

REGISTER 31-4: MDxCARH: MODULATION HIGH CARRIER CONTROL REGISTER

U-0	U-0	U-0	R/W-x/u	R/W-x/u	R/W-x/u	R/W-x/u	R/W-x/u
—	—	—	CH<4:0>				
bit 7							bit 0

Legend:

R = Readable bit	W = Writable bit	U = Unimplemented bit, read as '0'
u = Bit is unchanged	x = Bit is unknown	-n/n = Value at POR and BOR/Value at all other Resets
'1' = Bit is set	'0' = Bit is cleared	

bit 7-5 **Unimplemented:** Read as '0'

bit 4-0 **CH<4:0>** Modulator Data High Carrier Selection bits⁽¹⁾
See [Table 31-6](#).

Note 1: Narrowed carrier pulse widths or spurs may occur in the signal stream if the carrier is not synchronized.

TABLE 31-6: HIGH CARRIER SOURCE

CH<4:0>	Carrier Source PIC16(L)F1778	Carrier Source PIC16(L)F1777/9
11111	Reserved	Reserved
11110	Reserved	Reserved
11101	Reserved	Reserved
11100	Reserved	Reserved
11011	Reserved	Reserved
11010	Reserved	Reserved
11001	Reserved	Reserved
11000	Reserved	Reserved
10111	Reserved	Reserved
10110	Reserved	Reserved
10101	Reserved	Reserved
10100	Reserved	Reserved
10011	Reserved	Reserved
10010	LC4_out	LC4_out
10001	LC3_out	LC3_out
10000	LC2_out	LC2_out
01111	LC1_out	LC1_out
01110	Reserved	PWM12_out
01101	PWM11_out	PWM11_out
01100	PWM6_out	PWM6_out
01011	PWM5_out	PWM5_out
01010	Reserved	PWM10_out
01001	PWM9_out	PWM9_out
01000	PWM4_out	PWM4_out
00111	PWM3_out	PWM3_out
00110	Reserved	CCP8_out
00101	CCP7_out	CCP7_out
00100	CCP2_out	CCP2_out
00011	CCP1_out	CCP1_out
00010	HFINTOSC	HFINTOSC
00001	FOSC	FOSC
00000	MDxMODPPS pin selection	MDxMODPPS pin selection

PIC16(L)F1777/8/9

REGISTER 31-5: MDxCARL: MODULATION LOW CARRIER CONTROL REGISTER

U-0	U-0	U-0	R/W-x/u	R/W-x/u	R/W-x/u	R/W-x/u	R/W-x/u
—	—	—	CL<4:0>				
bit 7							bit 0

Legend:

R = Readable bit	W = Writable bit	U = Unimplemented bit, read as '0'
u = Bit is unchanged	x = Bit is unknown	-n/n = Value at POR and BOR/Value at all other Resets
'1' = Bit is set	'0' = Bit is cleared	

bit 7-5 **Unimplemented:** Read as '0'

bit 4-0 **CL<4:0>** Modulator Data Low Carrier Selection bits⁽¹⁾
See [Table 31-7](#).

Note 1: Narrowed carrier pulse widths or spurs may occur in the signal stream if the carrier is not synchronized.

TABLE 31-7: LOW CARRIER SOURCE

CH<4:0>	Carrier Source PIC16(L)F1778	Carrier Source PIC16(L)F1777/9
11111	Reserved	Reserved
11110	Reserved	Reserved
11101	Reserved	Reserved
11100	Reserved	Reserved
11011	Reserved	Reserved
11010	Reserved	Reserved
11001	Reserved	Reserved
11000	Reserved	Reserved
10111	Reserved	Reserved
10110	Reserved	Reserved
10101	Reserved	Reserved
10100	Reserved	Reserved
10011	Reserved	Reserved
10010	LC4_out	LC4_out
10001	LC3_out	LC3_out
10000	LC2_out	LC2_out
01111	LC1_out	LC1_out
01110	Reserved	PWM12_out
01101	PWM11_out	PWM11_out
01100	PWM6_out	PWM6_out
01011	PWM5_out	PWM5_out
01010	Reserved	PWM10_out
01001	PWM9_out	PWM9_out
01000	PWM4_out	PWM4_out
00111	PWM3_out	PWM3_out
00110	Reserved	CCP8_out
00101	CCP7_out	CCP7_out
00100	CCP2_out	CCP2_out
00011	CCP1_out	CCP1_out
00010	HFINTOSC	HFINTOSC
00001	FOSC	FOSC
00000	MDxMODPPS pin selection	MDxMODPPS pin selection

TABLE 31-8: SUMMARY OF REGISTERS ASSOCIATED WITH DATA SIGNAL MODULATOR MODE⁽¹⁾

Name	Bit 7	Bit 6	Bit 5	Bit 4	Bit 3	Bit 2	Bit 1	Bit 0	Register on Page
MDxCARH	—	—	—	CH<4:0>					436
MDxCARL	—	—	—	CL<4:0>					438
MDxSRC	—	—	—	MS<4:0>					434
MDxCON0	EN	—	OUT	OPOL	—	—	—	BIT	433
MDxCON1	—	—	CHPOL	CHSYNC	—	—	CLPOL	CLSYNC	433

Legend: — = unimplemented, read as '0'. Shaded cells are not used in the Data Signal Modulator mode.

Note 1: DSM4 available on PIC16LF1777/9 only.

PIC16(L)F1777/8/9

32.0 MASTER SYNCHRONOUS SERIAL PORT (MSSP) MODULE

32.1 MSSP Module Overview

The Master Synchronous Serial Port (MSSP) module is a serial interface useful for communicating with other peripheral or microcontroller devices. These peripheral devices may be serial EEPROMs, shift registers, display drivers, A/D converters, etc. The MSSP module can operate in one of two modes:

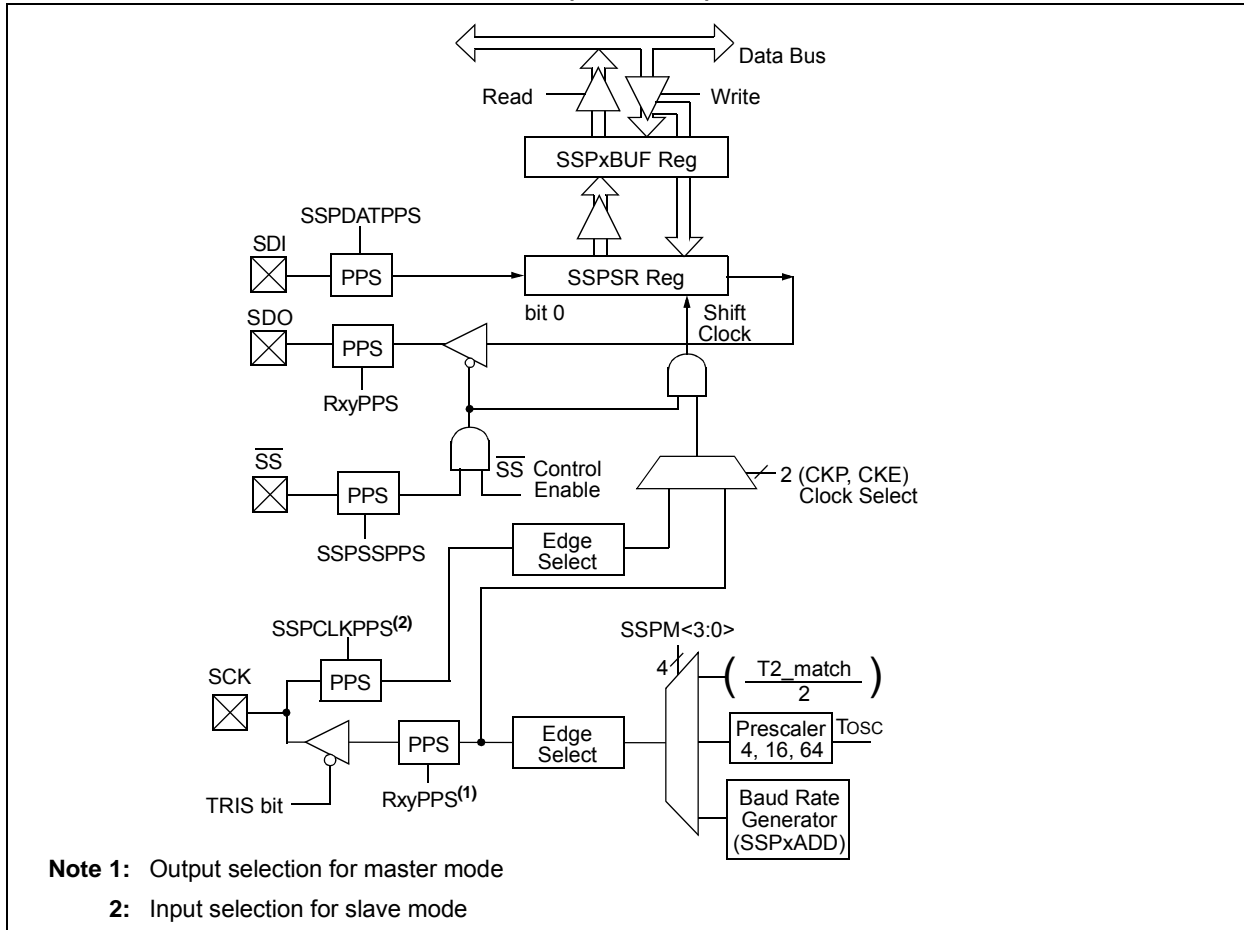
- Serial Peripheral Interface (SPI)
- Inter-Integrated Circuit (I²C)

The SPI interface supports the following modes and features:

- Master mode
- Slave mode
- Clock Parity
- Slave Select Synchronization (Slave mode only)
- Daisy-chain connection of slave devices

Figure 32-1 is a block diagram of the SPI interface module.

FIGURE 32-1: MSSP BLOCK DIAGRAM (SPI MODE)

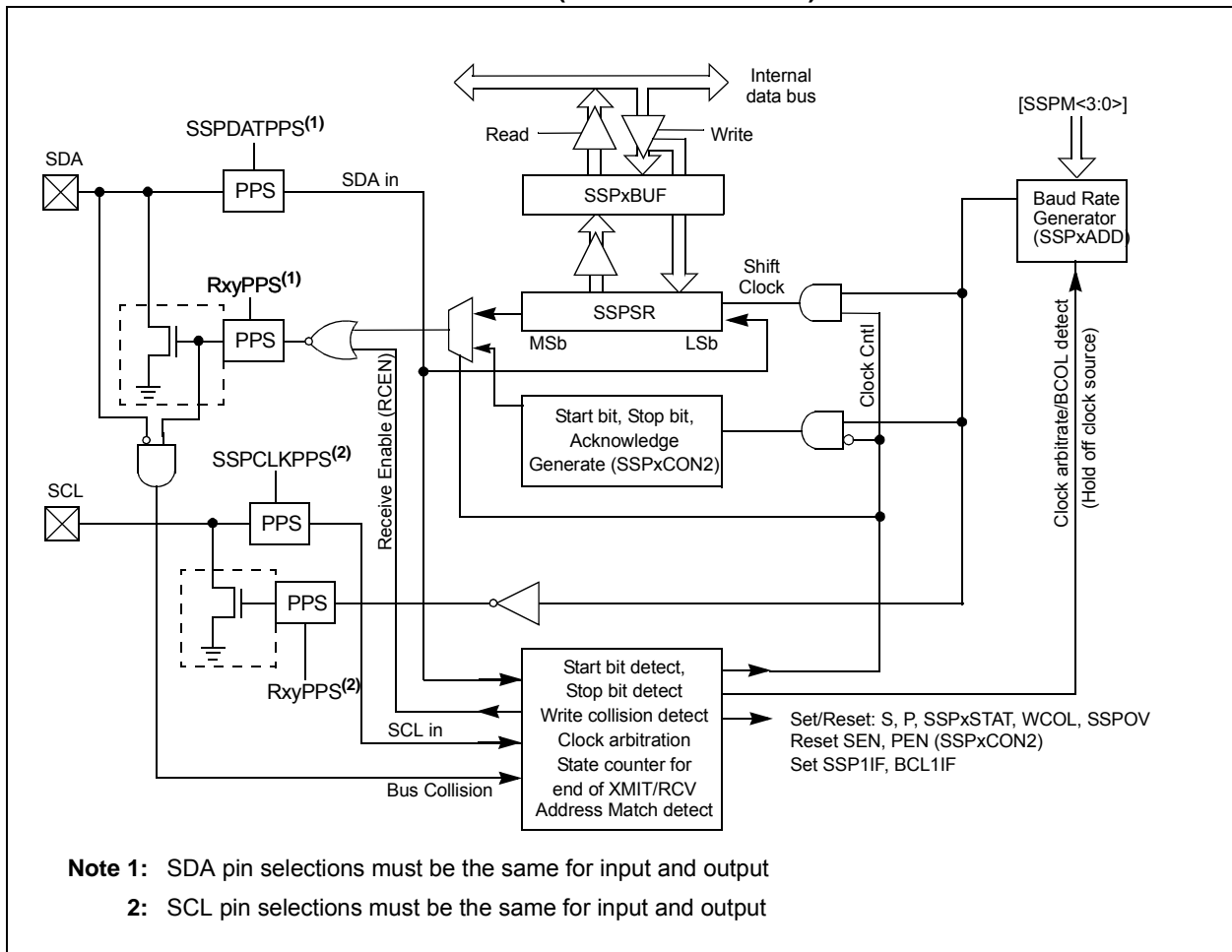


The I²C interface supports the following modes and features:

- Master mode
- Slave mode
- Byte NACKing (Slave mode)
- Limited multi-master support
- 7-bit and 10-bit addressing
- Start and Stop interrupts
- Interrupt masking
- Clock stretching
- Bus collision detection
- General call address matching
- Address masking
- Address Hold and Data Hold modes
- Selectable SDA hold times

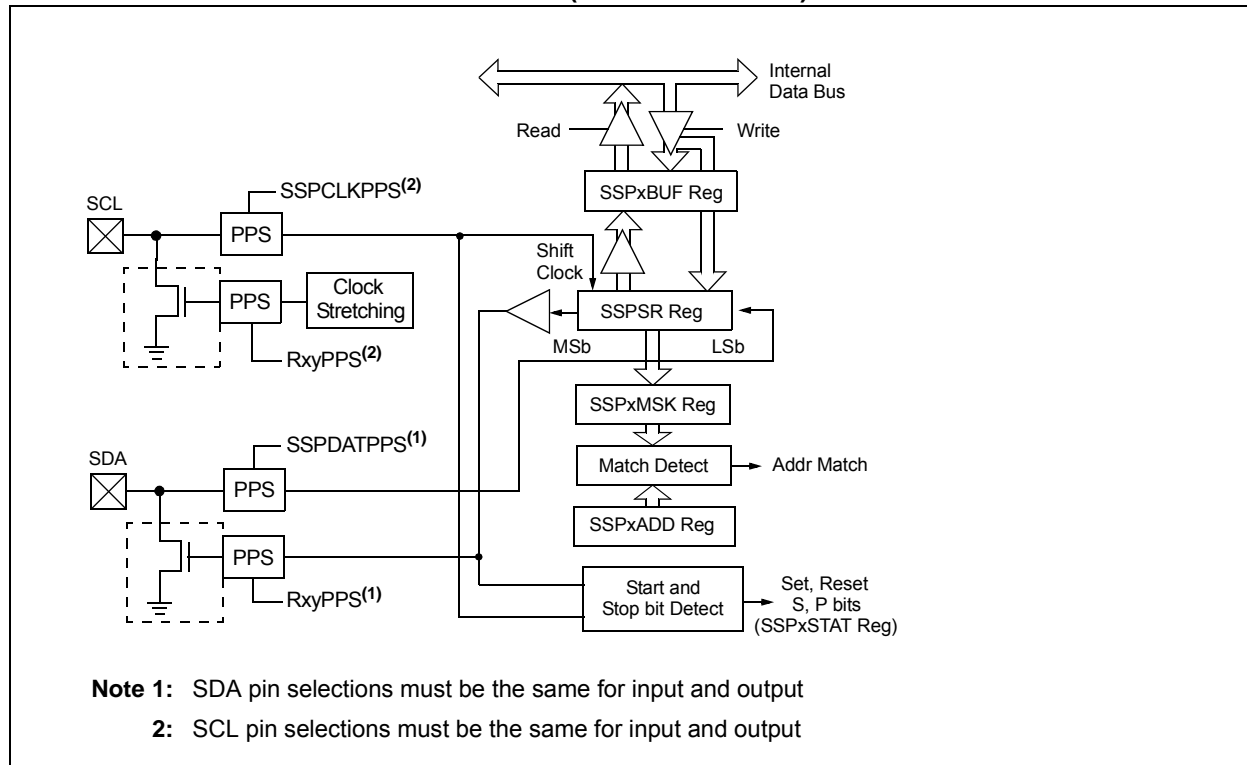
Figure 32-2 is a block diagram of the I²C interface module in Master mode. Figure 32-3 is a diagram of the I²C interface module in Slave mode.

FIGURE 32-2: MSSP BLOCK DIAGRAM (I²C MASTER MODE)



PIC16(L)F1777/8/9

FIGURE 32-3: MSSP BLOCK DIAGRAM (I²C SLAVE MODE)



32.2 SPI Mode Overview

The Serial Peripheral Interface (SPI) bus is a synchronous serial data communication bus that operates in Full-Duplex mode. Devices communicate in a master/slave environment where the master device initiates the communication. A slave device is controlled through a Chip Select known as Slave Select.

The SPI bus specifies four signal connections:

- Serial Clock (SCK)
- Serial Data Out (SDO)
- Serial Data In (SDI)
- Slave Select (\overline{SS})

Figure 32-1 shows the block diagram of the MSSP module when operating in SPI mode.

The SPI bus operates with a single master device and one or more slave devices. When multiple slave devices are used, an independent Slave Select connection is required from the master device to each slave device.

Figure 32-4 shows a typical connection between a master device and multiple slave devices.

The master selects only one slave at a time. Most slave devices have tri-state outputs so their output signal appears disconnected from the bus when they are not selected.

Transmissions involve two shift registers, eight bits in size, one in the master and one in the slave. With either the master or the slave device, data is always shifted out one bit at a time, with the Most Significant bit (MSb) shifted out first. At the same time, a new Least Significant bit (LSb) is shifted into the same register.

Figure 32-5 shows a typical connection between two processors configured as master and slave devices.

Data is shifted out of both shift registers on the programmed clock edge and latched on the opposite edge of the clock.

The master device transmits information out on its SDO output pin which is connected to, and received by, the slave's SDI input pin. The slave device transmits information out on its SDO output pin, which is connected to, and received by, the master's SDI input pin.

To begin communication, the master device first sends out the clock signal. Both the master and the slave devices should be configured for the same clock polarity.

The master device starts a transmission by sending out the MSb from its shift register. The slave device reads this bit from that same line and saves it into the LSb position of its shift register.

During each SPI clock cycle, a full-duplex data transmission occurs. This means that while the master device is sending out the MSb from its shift register (on its SDO pin) and the slave device is reading this bit and saving it as the LSb of its shift register, that the slave device is also sending out the MSb from its shift register (on its SDO pin) and the master device is reading this bit and saving it as the LSb of its shift register.

After eight bits have been shifted out, the master and slave have exchanged register values.

If there is more data to exchange, the shift registers are loaded with new data and the process repeats itself.

Whether the data is meaningful or not (dummy data), depends on the application software. This leads to three scenarios for data transmission:

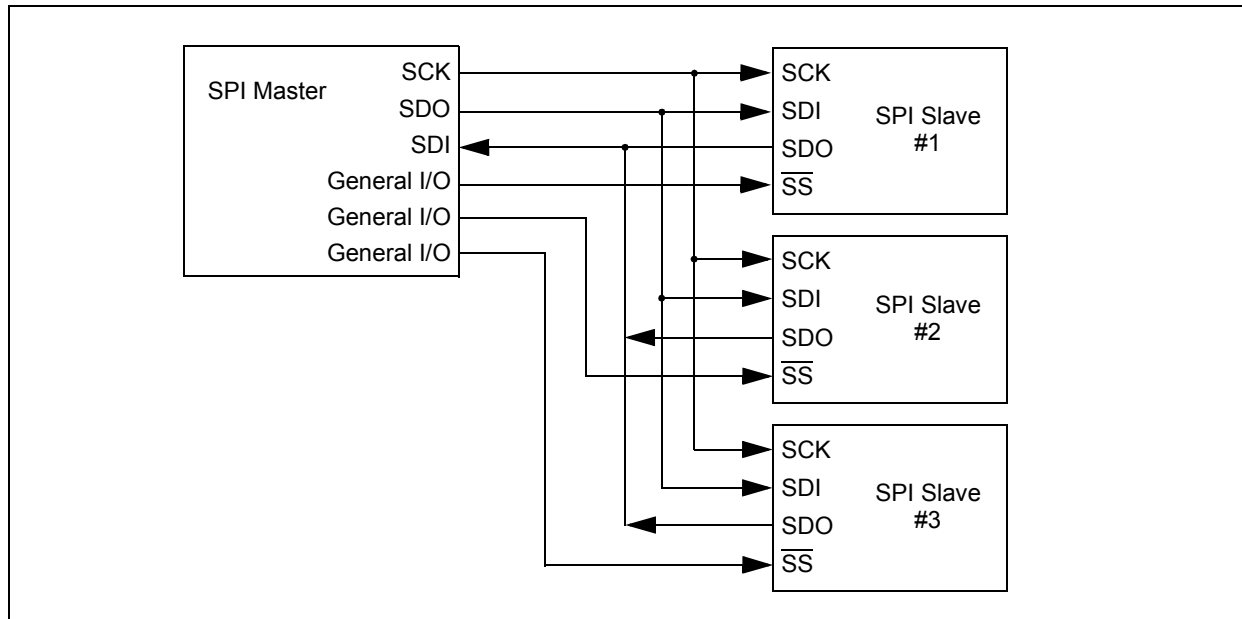
- Master sends useful data and slave sends dummy data.
- Master sends useful data and slave sends useful data.
- Master sends dummy data and slave sends useful data.

Transmissions may involve any number of clock cycles. When there is no more data to be transmitted, the master stops sending the clock signal and it deselects the slave.

Every slave device connected to the bus that has not been selected through its slave select line must disregard the clock and transmission signals and must not transmit out any data of its own.

PIC16(L)F1777/8/9

FIGURE 32-4: SPI MASTER AND MULTIPLE SLAVE CONNECTION



32.2.1 SPI MODE REGISTERS

The MSSP module has five registers for SPI mode operation. These are:

- MSSP STATUS register (SSPxSTAT)
- MSSP Control register 1 (SSPxCON1)
- MSSP Control register 3 (SSPxCON3)
- MSSP Data Buffer register (SSPxBUF)
- MSSP Address register (SSPxADD)
- MSSP Shift register (SSPSR)
(Not directly accessible)

SSPxCON1 and SSPxSTAT are the control and STATUS registers in SPI mode operation. The SSPxCON1 register is readable and writable. The lower six bits of the SSPxSTAT are read-only. The upper two bits of the SSPxSTAT are read/write.

In one SPI Master mode, SSPxADD can be loaded with a value used in the Baud Rate Generator. More information on the Baud Rate Generator is available in [Section 32.7 “Baud Rate Generator”](#).

SSPSR is the shift register used for shifting data in and out. SSPxBUF provides indirect access to the SSPSR register. SSPxBUF is the buffer register to which data bytes are written, and from which data bytes are read.

In receive operations, SSPSR and SSPxBUF together create a buffered receiver. When SSPSR receives a complete byte, it is transferred to SSPxBUF and the SSPxIF interrupt is set.

During transmission, the SSPxBUF is not buffered. A write to SSPxBUF will write to both SSPxBUF and SSPSR.

32.2.2 SPI MODE OPERATION

When initializing the SPI, several options need to be specified. This is done by programming the appropriate control bits (SSPxCON1<5:0> and SSPxSTAT<7:6>). These control bits allow the following to be specified:

- Master mode (SCK is the clock output)
- Slave mode (SCK is the clock input)
- Clock Polarity (Idle state of SCK)
- Data Input Sample Phase (middle or end of data output time)
- Clock Edge (output data on rising/falling edge of SCK)
- Clock Rate (Master mode only)
- Slave Select mode (Slave mode only)

To enable the serial port, SSP Enable bit, SSPEN of the SSPxCON1 register, must be set. To reset or reconfigure SPI mode, clear the SSPEN bit, re-initialize the SSPxCONx registers and then set the SSPEN bit. This configures the SDI, SDO, SCK and SS pins as serial port pins. For the pins to behave as the serial port function, some must have their data direction bits (in the TRIS register) appropriately programmed as follows:

- SDI must have corresponding TRIS bit set
- SDO must have corresponding TRIS bit cleared
- SCK (Master mode) must have corresponding TRIS bit cleared
- SCK (Slave mode) must have corresponding TRIS bit set
- SS must have corresponding TRIS bit set

Any serial port function that is not desired may be overridden by programming the corresponding data direction (TRIS) register to the opposite value.

The MSSP consists of a transmit/receive shift register (SSPSR) and a buffer register (SSPxBUF). The SSPSR shifts the data in and out of the device, MSb first. The SSPxBUF holds the data that was written to the SSPSR until the received data is ready. Once the eight bits of data have been received, that byte is moved to the SSPxBUF register. Then, the Buffer Full Detect bit, BF of the SSPxSTAT register, and the interrupt flag bit, SSPxIF, are set. This double-buffering of the received data (SSPxBUF) allows the next byte to start reception before reading the data that was just received. Any write to the SSPxBUF register during transmission/reception of data will be ignored and the Write Collision Detect bit WCOL of the SSPxCON1 register, will be set. User software must clear the WCOL bit to allow the following write(s) to the SSPxBUF register to complete successfully.

When the application software is expecting to receive valid data, the SSPxBUF should be read before the next byte of data to transfer is written to the SSPxBUF. The Buffer Full bit, BF of the SSPxSTAT register, indicates when SSPxBUF has been loaded with the received data (transmission is complete). When the SSPxBUF is read, the BF bit is cleared. This data may be irrelevant if the SPI is only a transmitter. Generally, the MSSP interrupt is used to determine when the transmission/reception has completed. If the interrupt method is not going to be used, then software polling can be done to ensure that a write collision does not occur.

The SSPSR is not directly readable or writable and can only be accessed by addressing the SSPxBUF register. Additionally, the SSPxSTAT register indicates the various Status conditions.

FIGURE 32-5: SPI MASTER/SLAVE CONNECTION



PIC16(L)F1777/8/9

32.2.3 SPI MASTER MODE

The master can initiate the data transfer at any time because it controls the SCK line. The master determines when the slave (Processor 2, [Figure 32-5](#)) is to broadcast data by the software protocol.

In Master mode, the data is transmitted/received as soon as the SSPxBUF register is written to. If the SPI is only going to receive, the SDO output could be disabled (programmed as an input). The SSPSR register will continue to shift in the signal present on the SDI pin at the programmed clock rate. As each byte is received, it will be loaded into the SSPxBUF register as if a normal received byte (interrupts and Status bits appropriately set).

The clock polarity is selected by appropriately programming the CKP bit of the SSPxCON1 register and the CKE bit of the SSPxSTAT register. This then, would give waveforms for SPI communication as shown in [Figure 32-6](#), [Figure 32-8](#), [Figure 32-9](#) and [Figure 32-10](#), where the MSB is transmitted first. In Master mode, the SPI clock rate (bit rate) is user programmable to be one of the following:

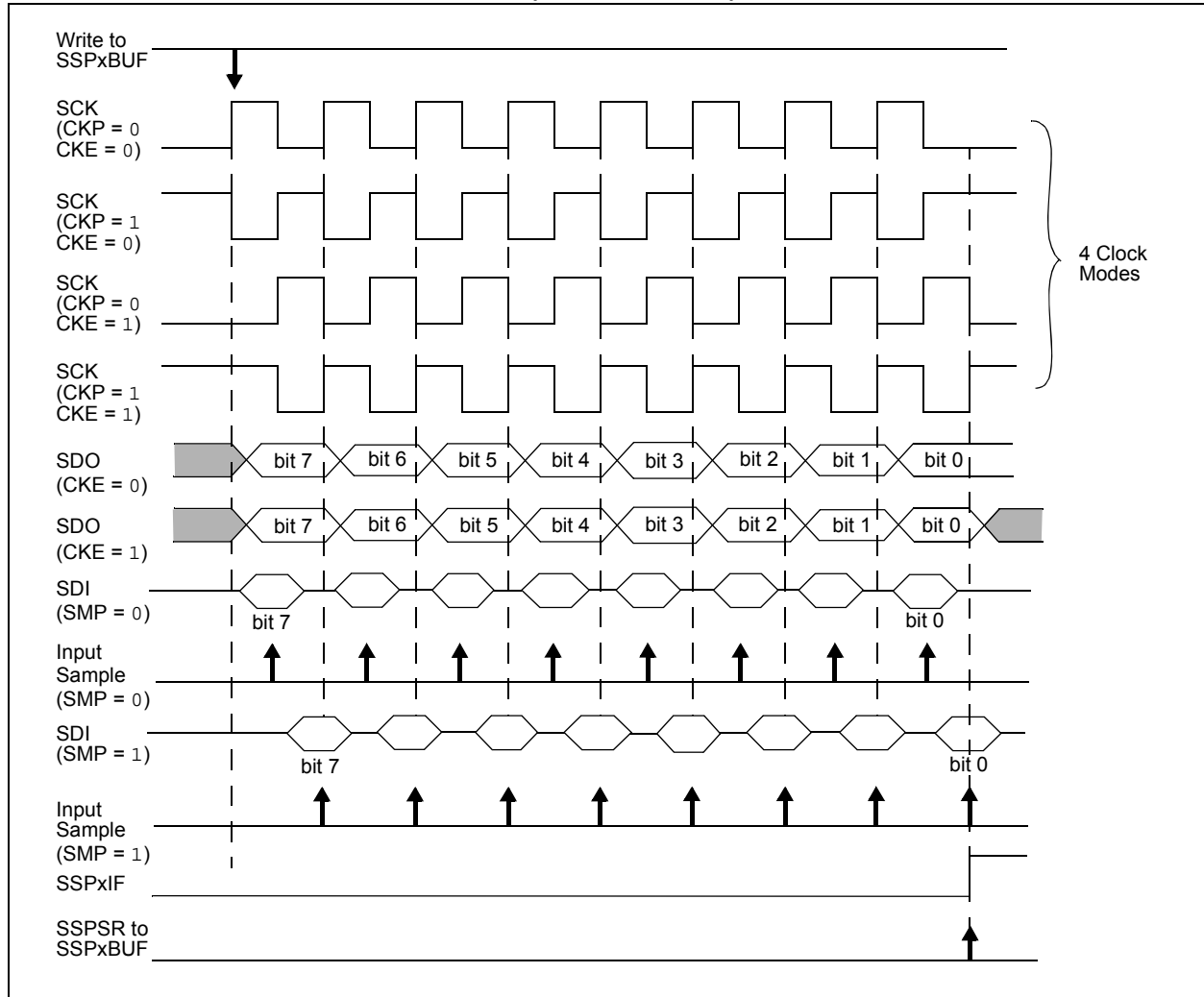
- $F_{osc}/4$ (or T_{CY})
- $F_{osc}/16$ (or $4 * T_{CY}$)
- $F_{osc}/64$ (or $16 * T_{CY}$)
- Timer2 output/2
- $F_{osc}/(4 * (SSPxADD + 1))$

[Figure 32-6](#) shows the waveforms for Master mode.

When the CKE bit is set, the SDO data is valid before there is a clock edge on SCK. The change of the input sample is shown based on the state of the SMP bit. The time when the SSPxBUF is loaded with the received data is shown.

<p>Note: In Master mode the clock signal output to the SCK pin is also the clock signal input to the peripheral. The pin selected for output with the RxyPPS register must also be selected as the peripheral input with the SSPCLKPPS register.</p>

FIGURE 32-6: SPI MODE WAVEFORM (MASTER MODE)



32.2.4 SPI SLAVE MODE

In Slave mode, the data is transmitted and received as external clock pulses appear on SCK. When the last bit is latched, the SSPxIF interrupt flag bit is set.

Before enabling the module in SPI Slave mode, the clock line must match the proper Idle state. The clock line can be observed by reading the SCK pin. The Idle state is determined by the CKP bit of the SSPxCON1 register.

While in Slave mode, the external clock is supplied by the external clock source on the SCK pin. This external clock must meet the minimum high and low times as specified in the electrical specifications.

While in Sleep mode, the slave can transmit/receive data. The shift register is clocked from the SCK pin input and when a byte is received, the device will generate an interrupt. If enabled, the device will wake-up from Sleep.

32.2.4.1 Daisy-Chain Configuration

The SPI bus can sometimes be connected in a daisy-chain configuration. The first slave output is connected to the second slave input, the second slave output is connected to the third slave input, and so on. The final slave output is connected to the master input. Each slave sends out, during a second group of clock pulses, an exact copy of what was received during the first group of clock pulses. The whole chain acts as one large communication shift register. The daisy-chain feature only requires a single Slave Select line from the master device.

Figure 32-7 shows the block diagram of a typical daisy-chain connection when operating in SPI mode.

In a daisy-chain configuration, only the most recent byte on the bus is required by the slave. Setting the BOEN bit of the SSPxCON3 register will enable writes to the SSPxBUF register, even if the previous byte has not been read. This allows the software to ignore data that may not apply to it.

PIC16(L)F1777/8/9

32.2.5 SLAVE SELECT SYNCHRONIZATION

The Slave Select can also be used to synchronize communication. The Slave Select line is held high until the master device is ready to communicate. When the Slave Select line is pulled low, the slave knows that a new transmission is starting.

If the slave fails to receive the communication properly, it will be reset at the end of the transmission, when the Slave Select line returns to a high state. The slave is then ready to receive a new transmission when the Slave Select line is pulled low again. If the Slave Select line is not used, there is a risk that the slave will eventually become out of sync with the master. If the slave misses a bit, it will always be one bit off in future transmissions. Use of the Slave Select line allows the slave and master to align themselves at the beginning of each transmission.

The \overline{SS} pin allows a Synchronous Slave mode. The SPI must be in Slave mode with \overline{SS} pin control enabled ($SSPxCON1<3:0> = 0100$).

When the \overline{SS} pin is low, transmission and reception are enabled and the SDO pin is driven.

When the \overline{SS} pin goes high, the SDO pin is no longer driven, even if in the middle of a transmitted byte and becomes a floating output. External pull-up/pull-down resistors may be desirable depending on the application.

- Note 1:** When the SPI is in Slave mode with \overline{SS} pin control enabled ($SSPxCON1<3:0> = 0100$), the SPI module will reset if the \overline{SS} pin is set to VDD.
- 2:** When the SPI is used in Slave mode with CKE set; the user must enable \overline{SS} pin control.
- 3:** While operated in SPI Slave mode the SMP bit of the SSPxSTAT register must remain clear.

When the SPI module resets, the bit counter is forced to '0'. This can be done by either forcing the \overline{SS} pin to a high level or clearing the SSPEN bit.

FIGURE 32-7: SPI DAISY-CHAIN CONNECTION



FIGURE 32-8: SLAVE SELECT SYNCHRONOUS WAVEFORM

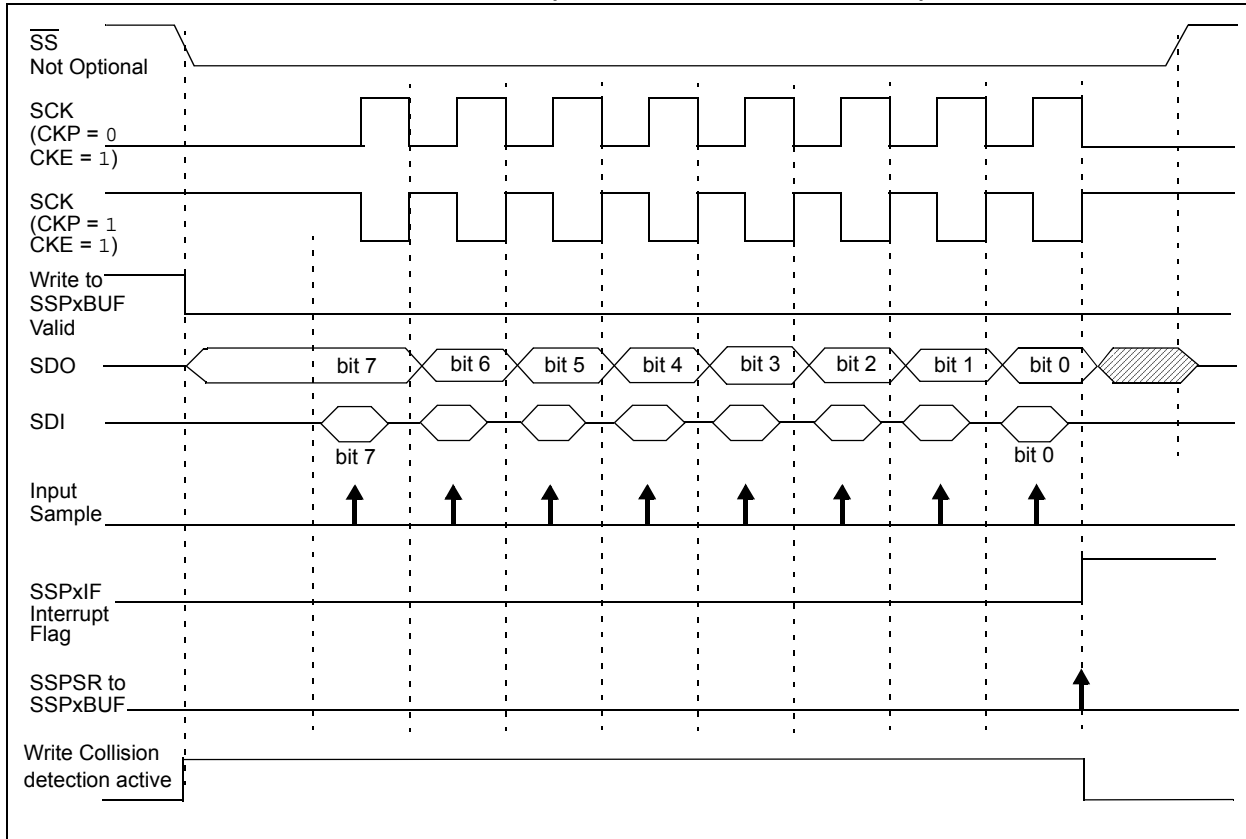


PIC16(L)F1777/8/9

FIGURE 32-9: SPI MODE WAVEFORM (SLAVE MODE WITH CKE = 0)



FIGURE 32-10: SPI MODE WAVEFORM (SLAVE MODE WITH CKE = 1)



32.2.6 SPI OPERATION IN SLEEP MODE

In SPI Master mode, module clocks may be operating at a different speed than when in Full-Power mode; in the case of the Sleep mode, all clocks are halted.

Special care must be taken by the user when the MSSP clock is much faster than the system clock.

In Slave mode, when MSSP interrupts are enabled, after the master completes sending data, an MSSP interrupt will wake the controller from Sleep.

If an exit from Sleep mode is not desired, MSSP interrupts should be disabled.

In SPI Master mode, when the Sleep mode is selected, all module clocks are halted and the transmission/reception will remain in that state until the device wakes. After the device returns to Run mode, the module will resume transmitting and receiving data.

In SPI Slave mode, the SPI Transmit/Receive Shift register operates asynchronously to the device. This allows the device to be placed in Sleep mode and data to be shifted into the SPI Transmit/Receive Shift register. When all eight bits have been received, the MSSP interrupt flag bit will be set and if enabled, will wake the device.

TABLE 32-1: SUMMARY OF REGISTERS ASSOCIATED WITH SPI OPERATION

Name	Bit 7	Bit 6	Bit 5	Bit 4	Bit 3	Bit 2	Bit 1	Bit 0	Register on Page
ANSELA	—	—	ANSA5	ANSA4	ANSA3	ANSA2	ANSA1	ANSA0	177
ANSELC	ANSC7	ANSC6	ANSC5	ANSC4	ANSC3	ANSC2	—	—	187
INTCON	GIE	PEIE	TMR0IE	INTE	IOCIE	TMR0IF	INTF	IOCIF	132
PIE1	TMR1GIE	ADIE	RCIE	TXIE	SSP1IE	CCP1IE	TMR2IE	TMR1IE	133
PIR1	TMR1GIF	ADIF	RCIF	TXIF	SSP1IF	CCP1IF	TMR2IF	TMR1IF	139
RxyPPS	—	—	RxyPPS<5:0>						205
SSPCLKPPS	—	—	SSPCLKPPS<5:0>						205, 207
SSPDATPPS	—	—	SSPDATPPS<5:0>						205, 207
SSPSSPPS	—	—	SSPSSPPS<5:0>						205, 207
SSP1BUF	Synchronous Serial Port Receive Buffer/Transmit Register								444*
SSP1CON1	WCOL	SSPOV	SSPEN	CKP	SSPM<3:0>				489
SSP1CON3	ACKTIM	PCIE	SCIE	BOEN	SDAHT	SBCDE	AHEN	DHEN	488
SSP1STAT	SMP	CKE	D/Ā	P	S	R/Ā	UA	BF	488
TRISA	TRISA7	TRISA6	TRISA5	TRISA4	TRISA3	TRISA2	TRISA1	TRISA0	176
TRISB	TRISB7	TRISB6	TRISB5	TRISB4	TRISB3	TRISB2	TRISB1	TRISB0	181
TRISC	TRISC7	TRISC6	TRISC5	TRISC4	TRISC3	TRISC2	TRISC1	TRISC0	186

Legend: — = Unimplemented location, read as '0'. Shaded cells are not used by the MSSP in SPI mode.

* Page provides register information.

PIC16(L)F1777/8/9

32.3 I²C MODE OVERVIEW

The Inter-Integrated Circuit (I²C) bus is a multi-master serial data communication bus. Devices communicate in a master/slave environment where the master devices initiate the communication. A slave device is controlled through addressing.

The I²C bus specifies two signal connections:

- Serial Clock (SCL)
- Serial Data (SDA)

Figure 32-11 shows the block diagram of the MSSP module when operating in I²C mode.

Both the SCL and SDA connections are bidirectional open-drain lines, each requiring pull-up resistors for the supply voltage. Pulling the line to ground is considered a logical zero and letting the line float is considered a logical one.

Figure 32-11 shows a typical connection between two processors configured as master and slave devices.

The I²C bus can operate with one or more master devices and one or more slave devices.

There are four potential modes of operation for a given device:

- Master Transmit mode
(master is transmitting data to a slave)
- Master Receive mode
(master is receiving data from a slave)
- Slave Transmit mode
(slave is transmitting data to a master)
- Slave Receive mode
(slave is receiving data from the master)

To begin communication, a master device starts out in Master Transmit mode. The master device sends out a Start bit followed by the address byte of the slave it intends to communicate with. This is followed by a single Read/Write bit, which determines whether the master intends to transmit to or receive data from the slave device.

If the requested slave exists on the bus, it will respond with an Acknowledge bit, otherwise known as an ACK. The master then continues in either Transmit mode or Receive mode and the slave continues in the complement, either in Receive mode or Transmit mode, respectively.

A Start bit is indicated by a high-to-low transition of the SDA line while the SCL line is held high. Address and data bytes are sent out, Most Significant bit (MSb) first. The Read/Write bit is sent out as a logical one when the master intends to read data from the slave, and is sent out as a logical zero when it intends to write data to the slave.

FIGURE 32-11: I²C MASTER/SLAVE CONNECTION



The Acknowledge bit ($\overline{\text{ACK}}$) is an active-low signal, which holds the SDA line low to indicate to the transmitter that the slave device has received the transmitted data and is ready to receive more.

The transition of a data bit is always performed while the SCL line is held low. Transitions that occur while the SCL line is held high are used to indicate Start and Stop bits.

If the master intends to write to the slave, then it repeatedly sends out a byte of data, with the slave responding after each byte with an $\overline{\text{ACK}}$ bit. In this example, the master device is in Master Transmit mode and the slave is in Slave Receive mode.

If the master intends to read from the slave, then it repeatedly receives a byte of data from the slave, and responds after each byte with an $\overline{\text{ACK}}$ bit. In this example, the master device is in Master Receive mode and the slave is Slave Transmit mode.

On the last byte of data communicated, the master device may end the transmission by sending a Stop bit. If the master device is in Receive mode, it sends the Stop bit in place of the last ACK bit. A Stop bit is indicated by a low-to-high transition of the SDA line while the SCL line is held high.

In some cases, the master may want to maintain control of the bus and re-initiate another transmission. If so, the master device may send another Start bit in place of the Stop bit or last $\overline{\text{ACK}}$ bit when it is in receive mode.

The I²C bus specifies three message protocols:

- Single message where a master writes data to a slave.
- Single message where a master reads data from a slave.
- Combined message where a master initiates a minimum of two writes, or two reads, or a combination of writes and reads, to one or more slaves.

When one device is transmitting a logical one, or letting the line float, and a second device is transmitting a logical zero, or holding the line low, the first device can detect that the line is not a logical one. This detection, when used on the SCL line, is called clock stretching. Clock stretching gives slave devices a mechanism to control the flow of data. When this detection is used on the SDA line, it is called arbitration. Arbitration ensures that there is only one master device communicating at any single time.

32.3.1 CLOCK STRETCHING

When a slave device has not completed processing data, it can delay the transfer of more data through the process of clock stretching. An addressed slave device may hold the SCL clock line low after receiving or sending a bit, indicating that it is not yet ready to continue. The master that is communicating with the slave will attempt to raise the SCL line in order to transfer the next bit, but will detect that the clock line has not yet been released. Because the SCL connection is open-drain, the slave has the ability to hold that line low until it is ready to continue communicating.

Clock stretching allows receivers that cannot keep up with a transmitter to control the flow of incoming data.

32.3.2 ARBITRATION

Each master device must monitor the bus for Start and Stop bits. If the device detects that the bus is busy, it cannot begin a new message until the bus returns to an Idle state.

However, two master devices may try to initiate a transmission on or about the same time. When this occurs, the process of arbitration begins. Each transmitter checks the level of the SDA data line and compares it to the level that it expects to find. The first transmitter to observe that the two levels do not match, loses arbitration, and must stop transmitting on the SDA line.

For example, if one transmitter holds the SDA line to a logical one (lets it float) and a second transmitter holds it to a logical zero (pulls it low), the result is that the SDA line will be low. The first transmitter then observes that the level of the line is different than expected and concludes that another transmitter is communicating.

The first transmitter to notice this difference is the one that loses arbitration and must stop driving the SDA line. If this transmitter is also a master device, it also must stop driving the SCL line. It then can monitor the lines for a Stop condition before trying to reissue its transmission. In the meantime, the other device that has not noticed any difference between the expected and actual levels on the SDA line continues with its original transmission. It can do so without any complications, because so far, the transmission appears exactly as expected with no other transmitter disturbing the message.

Slave Transmit mode can also be arbitrated, when a master addresses multiple slaves, but this is less common.

If two master devices are sending a message to two different slave devices at the address stage, the master sending the lower slave address always wins arbitration. When two master devices send messages to the same slave address, and addresses can sometimes refer to multiple slaves, the arbitration process must continue into the data stage.

Arbitration usually occurs very rarely, but it is a necessary process for proper multi-master support.

PIC16(L)F1777/8/9

32.4 I²C MODE OPERATION

All MSSP I²C communication is byte oriented and shifted out MSb first. Six SFR registers and two interrupt flags interface the module with the PIC[®] microcontroller and user software. Two pins, SDA and SCL, are exercised by the module to communicate with other external I²C devices.

32.4.1 BYTE FORMAT

All communication in I²C is done in 9-bit segments. A byte is sent from a master to a slave or vice-versa, followed by an Acknowledge bit sent back. After the eighth falling edge of the SCL line, the device outputting data on the SDA changes that pin to an input and reads in an acknowledge value on the next clock pulse.

The clock signal, SCL, is provided by the master. Data is valid to change while the SCL signal is low, and sampled on the rising edge of the clock. Changes on the SDA line while the SCL line is high define special conditions on the bus, explained below.

32.4.2 DEFINITION OF I²C TERMINOLOGY

There is language and terminology in the description of I²C communication that have definitions specific to I²C. That word usage is defined below and may be used in the rest of this document without explanation. This table was adapted from the Philips I²C specification.

32.4.3 SDA AND SCL PINS

Selection of any I²C mode with the SSPEN bit set, forces the SCL and SDA pins to be open-drain. These pins should be set by the user to inputs by setting the appropriate TRIS bits.

Note 1: Data is tied to output zero when an I²C mode is enabled.

2: Any device pin can be selected for SDA and SCL functions with the PPS peripheral. These functions are bidirectional. The SDA input is selected with the SSPDATPPS registers. The SCL input is selected with the SSPCLKPPS registers. Outputs are selected with the RxyPPS registers. It is the user's responsibility to make the selections so that both the input and the output for each function is on the same pin.

32.4.4 SDA HOLD TIME

The hold time of the SDA pin is selected by the SDAHT bit of the SSPxCON3 register. Hold time is the time SDA is held valid after the falling edge of SCL. Setting the SDAHT bit selects a longer 300 ns minimum hold time and may help on buses with large capacitance.

TABLE 32-2: I²C BUS TERMS

TERM	Description
Transmitter	The device which shifts data out onto the bus.
Receiver	The device which shifts data in from the bus.
Master	The device that initiates a transfer, generates clock signals and terminates a transfer.
Slave	The device addressed by the master.
Multi-master	A bus with more than one device that can initiate data transfers.
Arbitration	Procedure to ensure that only one master at a time controls the bus. Winning arbitration ensures that the message is not corrupted.
Synchronization	Procedure to synchronize the clocks of two or more devices on the bus.
Idle	No master is controlling the bus, and both SDA and SCL lines are high.
Active	Any time one or more master devices are controlling the bus.
Addressed Slave	Slave device that has received a matching address and is actively being clocked by a master.
Matching Address	Address byte that is clocked into a slave that matches the value stored in SSPxADD.
Write Request	Slave receives a matching address with R/W bit clear, and is ready to clock in data.
Read Request	Master sends an address byte with the R/W bit set, indicating that it wishes to clock data out of the Slave. This data is the next and all following bytes until a Restart or Stop.
Clock Stretching	When a device on the bus hold SCL low to stall communication.
Bus Collision	Any time the SDA line is sampled low by the module while it is outputting and expected high state.

32.4.5 START CONDITION

The I²C specification defines a Start condition as a transition of SDA from a high to a low state while SCL line is high. A Start condition is always generated by the master and signifies the transition of the bus from an Idle to an Active state. Figure 32-12 shows wave forms for Start and Stop conditions.

A bus collision can occur on a Start condition if the module samples the SDA line low before asserting it low. This does not conform to the I²C Specification that states no bus collision can occur on a Start.

32.4.6 STOP CONDITION

A Stop condition is a transition of the SDA line from low-to-high state while the SCL line is high.

Note: At least one SCL low time must appear before a Stop is valid, therefore, if the SDA line goes low then high again while the SCL line stays high, only the Start condition is detected.

32.4.7 RESTART CONDITION

A Restart is valid any time that a Stop would be valid. A master can issue a Restart if it wishes to hold the bus after terminating the current transfer. A Restart has the same effect on the slave that a Start would, resetting all slave logic and preparing it to clock in an address. The master may want to address the same or another slave. Figure 32-13 shows the wave form for a Restart condition.

In 10-bit Addressing Slave mode a Restart is required for the master to clock data out of the addressed slave. Once a slave has been fully addressed, matching both high and low address bytes, the master can issue a Restart and the high address byte with the R/W bit set. The slave logic will then hold the clock and prepare to clock out data.

After a full match with $\overline{R/W}$ clear in 10-bit mode, a prior match flag is set and maintained until a Stop condition, a high address with $\overline{R/W}$ clear, or high address match fails.

32.4.8 START/STOP CONDITION INTERRUPT MASKING

The SCIE and PCIE bits of the SSPxCON3 register can enable the generation of an interrupt in Slave modes that do not typically support this function. Slave modes where interrupt on Start and Stop detect are already enabled, these bits will have no effect.

FIGURE 32-12: I²C START AND STOP CONDITIONS



FIGURE 32-13: I²C RESTART CONDITION



32.4.9 ACKNOWLEDGE SEQUENCE

The ninth SCL pulse for any transferred byte in I²C is dedicated as an Acknowledge. It allows receiving devices to respond back to the transmitter by pulling the SDA line low. The transmitter must release control of the line during this time to shift in the response. The Acknowledge ($\overline{\text{ACK}}$) is an active-low signal, pulling the SDA line low indicates to the transmitter that the device has received the transmitted data and is ready to receive more.

The result of an $\overline{\text{ACK}}$ is placed in the ACKSTAT bit of the SSPxCON2 register.

Slave software, when the AHEN and DHEN bits are set, allow the user to set the $\overline{\text{ACK}}$ value sent back to the transmitter. The ACKDT bit of the SSPxCON2 register is set/cleared to determine the response.

Slave hardware will generate an $\overline{\text{ACK}}$ response if the AHEN and DHEN bits of the SSPxCON3 register are clear.

There are certain conditions where an $\overline{\text{ACK}}$ will not be sent by the slave. If the BF bit of the SSPxSTAT register or the SSPOV bit of the SSPxCON1 register are set when a byte is received.

When the module is addressed, after the eighth falling edge of SCL on the bus, the ACKTIM bit of the SSPxCON3 register is set. The ACKTIM bit indicates the acknowledge time of the active bus. The ACKTIM Status bit is only active when the AHEN bit or DHEN bit is enabled.

32.5 I²C SLAVE MODE OPERATION

The MSSP Slave mode operates in one of four modes selected by the SSPM bits of SSPxCON1 register. The modes can be divided into 7-bit and 10-bit Addressing mode. 10-bit Addressing modes operate the same as 7-bit with some additional overhead for handling the larger addresses.

Modes with Start and Stop bit interrupts operate the same as the other modes with SSPxIF additionally getting set upon detection of a Start, Restart, or Stop condition.

32.5.1 SLAVE MODE ADDRESSES

The SSPxADD register ([Register 32-6](#)) contains the Slave mode address. The first byte received after a Start or Restart condition is compared against the value stored in this register. If the byte matches, the value is loaded into the SSPxBUF register and an interrupt is generated. If the value does not match, the module goes idle and no indication is given to the software that anything happened.

The SSP Mask register ([Register 32-5](#)) affects the address matching process. See [Section 32.5.8 “SSP Mask Register”](#) for more information.

32.5.1.1 I²C Slave 7-bit Addressing Mode

In 7-bit Addressing mode, the LSb of the received data byte is ignored when determining if there is an address match.

32.5.1.2 I²C Slave 10-bit Addressing Mode

In 10-bit Addressing mode, the first received byte is compared to the binary value of '1 1 1 1 0 A9 A8 0'. A9 and A8 are the two MSb's of the 10-bit address and stored in bits 2 and 1 of the SSPxADD register.

After the acknowledge of the high byte the UA bit is set and SCL is held low until the user updates SSPxADD with the low address. The low address byte is clocked in and all eight bits are compared to the low address value in SSPxADD. Even if there is not an address match; SSPxIF and UA are set, and SCL is held low until SSPxADD is updated to receive a high byte again. When SSPxADD is updated the UA bit is cleared. This ensures the module is ready to receive the high address byte on the next communication.

A high and low address match as a write request is required at the start of all 10-bit addressing communication. A transmission can be initiated by issuing a Restart once the slave is addressed, and clocking in the high address with the R/W bit set. The slave hardware will then acknowledge the read request and prepare to clock out data. This is only valid for a slave after it has received a complete high and low address byte match.

32.5.2 SLAVE RECEPTION

When the R/\overline{W} bit of a matching received address byte is clear, the R/\overline{W} bit of the SSPxSTAT register is cleared. The received address is loaded into the SSPxBUF register and acknowledged.

When the overflow condition exists for a received address, then not Acknowledge is given. An overflow condition is defined as either bit BF of the SSPxSTAT register is set, or bit SSPOV of the SSPxCON1 register is set. The BOEN bit of the SSPxCON3 register modifies this operation. For more information see [Register 32-4](#).

An MSSP interrupt is generated for each transferred data byte. Flag bit, SSPxIF, must be cleared by software.

When the SEN bit of the SSPxCON2 register is set, SCL will be held low (clock stretch) following each received byte. The clock must be released by setting the CKP bit of the SSPxCON1 register, except sometimes in 10-bit mode. See [Section 32.5.6.2 “10-bit Addressing Mode”](#) for more detail.

32.5.2.1 7-bit Addressing Reception

This section describes a standard sequence of events for the MSSP module configured as an I²C slave in 7-bit Addressing mode. [Figure 32-14](#) and [Figure 32-15](#) is used as a visual reference for this description.

This is a step by step process of what typically must be done to accomplish I²C communication.

1. Start bit detected.
2. S bit of SSPxSTAT is set; SSPxIF is set if interrupt on Start detect is enabled.
3. Matching address with R/\overline{W} bit clear is received.
4. The slave pulls SDA low sending an \overline{ACK} to the master, and sets SSPxIF bit.
5. Software clears the SSPxIF bit.
6. Software reads received address from SSPxBUF clearing the BF flag.
7. If SEN = 1; Slave software sets CKP bit to release the SCL line.
8. The master clocks out a data byte.
9. Slave drives SDA low sending an \overline{ACK} to the master, and sets SSPxIF bit.
10. Software clears SSPxIF.
11. Software reads the received byte from SSPxBUF clearing BF.
12. Steps 8-12 are repeated for all received bytes from the master.
13. Master sends Stop condition, setting P bit of SSPxSTAT, and the bus goes idle.

32.5.2.2 7-bit Reception with AHEN and DHEN

Slave device reception with AHEN and DHEN set operate the same as without these options with extra interrupts and clock stretching added after the eighth falling edge of SCL. These additional interrupts allow the slave software to decide whether it wants to \overline{ACK} the receive address or data byte, rather than the hardware. This functionality adds support for PMBus™ that was not present on previous versions of this module.

This list describes the steps that need to be taken by slave software to use these options for I²C communication. [Figure 32-16](#) displays a module using both address and data holding. [Figure 32-17](#) includes the operation with the SEN bit of the SSPxCON2 register set.

1. S bit of SSPxSTAT is set; SSPxIF is set if interrupt on Start detect is enabled.
2. Matching address with R/\overline{W} bit clear is clocked in. SSPxIF is set and CKP cleared after the eighth falling edge of SCL.
3. Slave clears the SSPxIF.
4. Slave can look at the ACKTIM bit of the SSPxCON3 register to determine if the SSPxIF was after or before the \overline{ACK} .
5. Slave reads the address value from SSPxBUF, clearing the BF flag.
6. Slave sets \overline{ACK} value clocked out to the master by setting ACKDT.
7. Slave releases the clock by setting CKP.
8. SSPxIF is set after an \overline{ACK} , not after a NACK.
9. If SEN = 1 the slave hardware will stretch the clock after the \overline{ACK} .
10. Slave clears SSPxIF.

Note: SSPxIF is still set after the ninth falling edge of SCL even if there is no clock stretching and BF has been cleared. Only if NACK is sent to master is SSPxIF not set

11. SSPxIF set and CKP cleared after eighth falling edge of SCL for a received data byte.
12. Slave looks at ACKTIM bit of SSPxCON3 to determine the source of the interrupt.
13. Slave reads the received data from SSPxBUF clearing BF.
14. Steps 7-14 are the same for each received data byte.
15. Communication is ended by either the slave sending an $\overline{ACK} = 1$, or the master sending a Stop condition. If a Stop is sent and interrupt on Stop detect is disabled, the slave will only know by polling the P bit of the SSTAT register.

FIGURE 32-14: I²C SLAVE, 7-BIT ADDRESS, RECEPTION (SEN = 0, AHEN = 0, DHEN = 0)

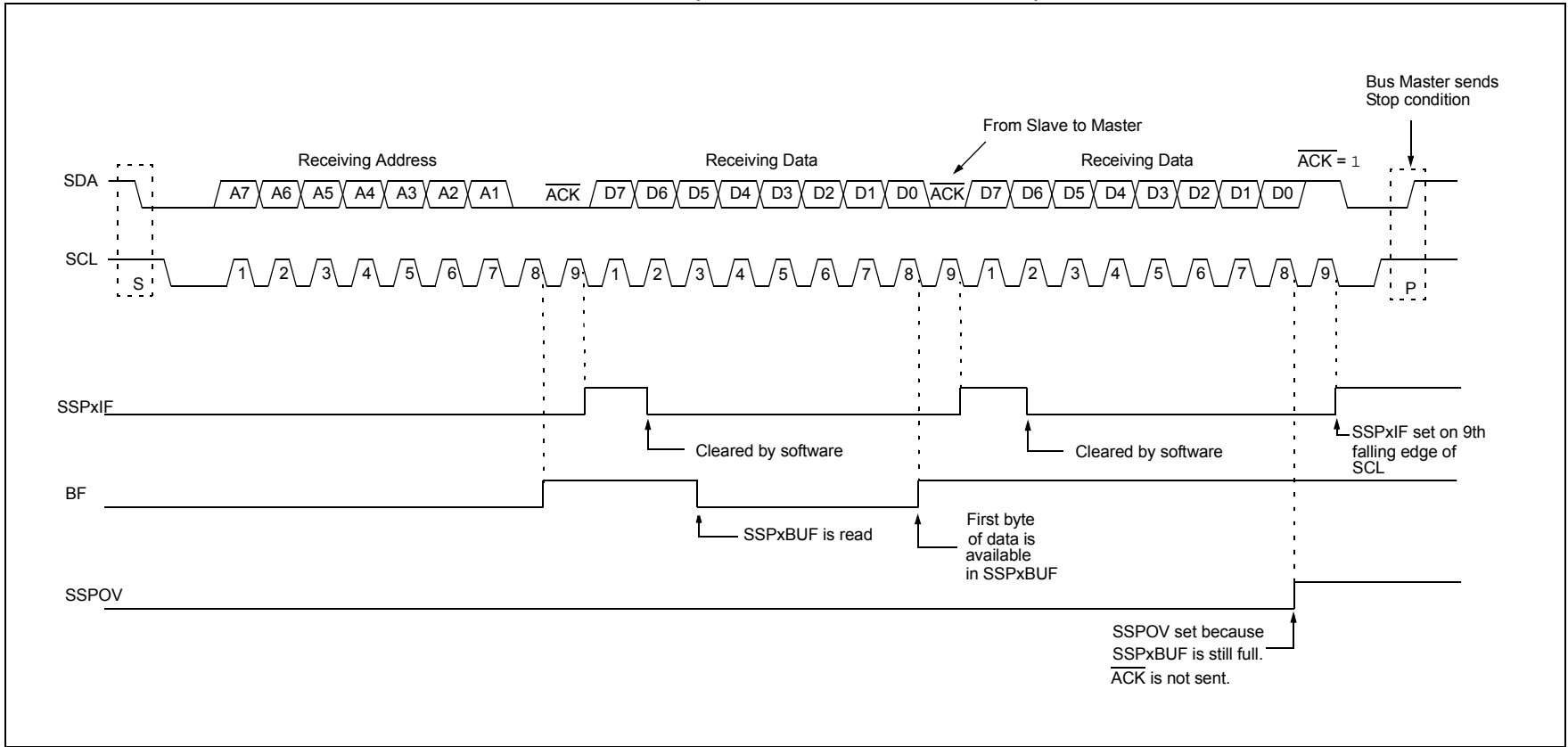


FIGURE 32-15: I²C SLAVE, 7-BIT ADDRESS, RECEPTION (SEN = 1, AHEN = 0, DHEN = 0)

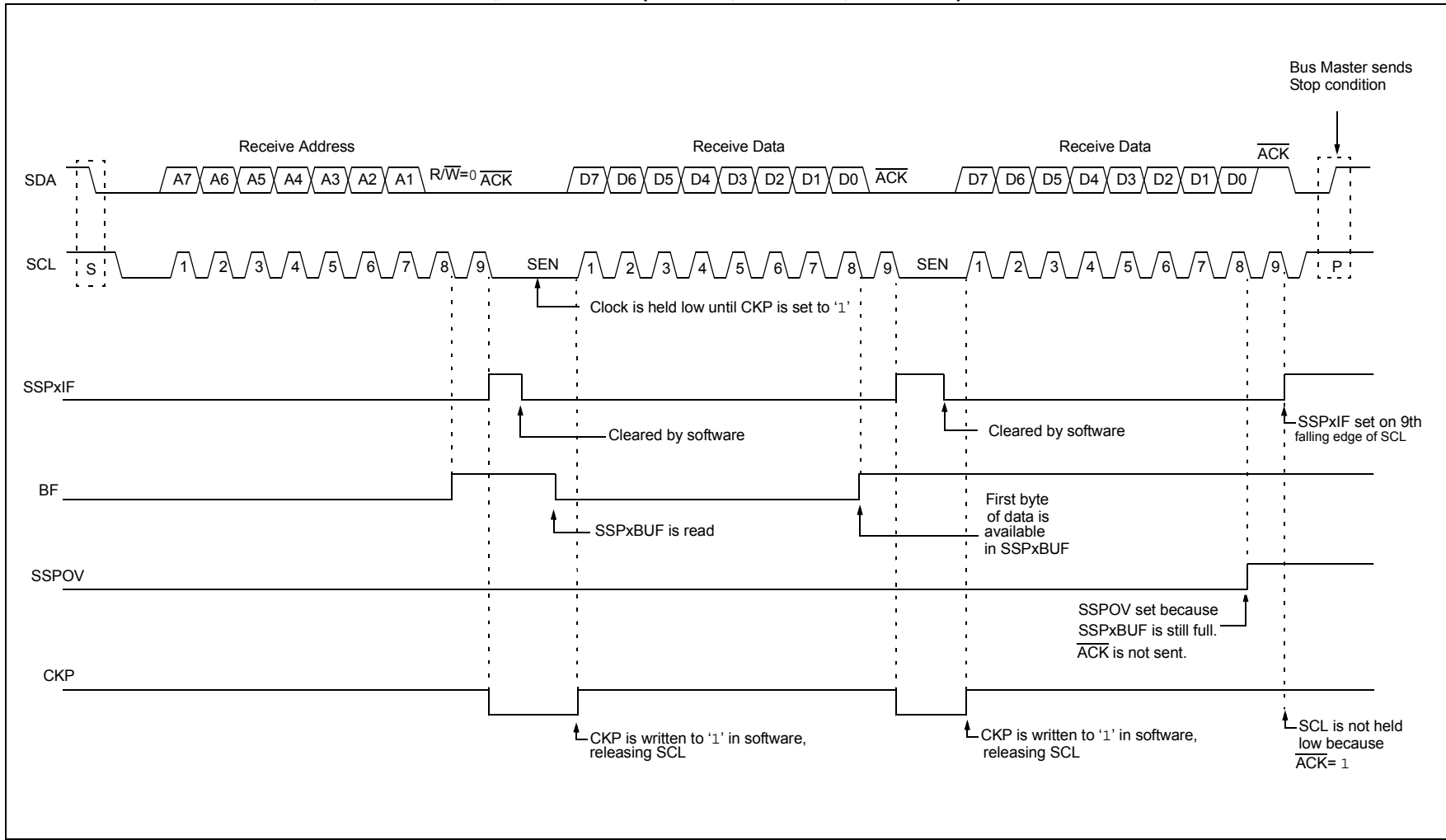
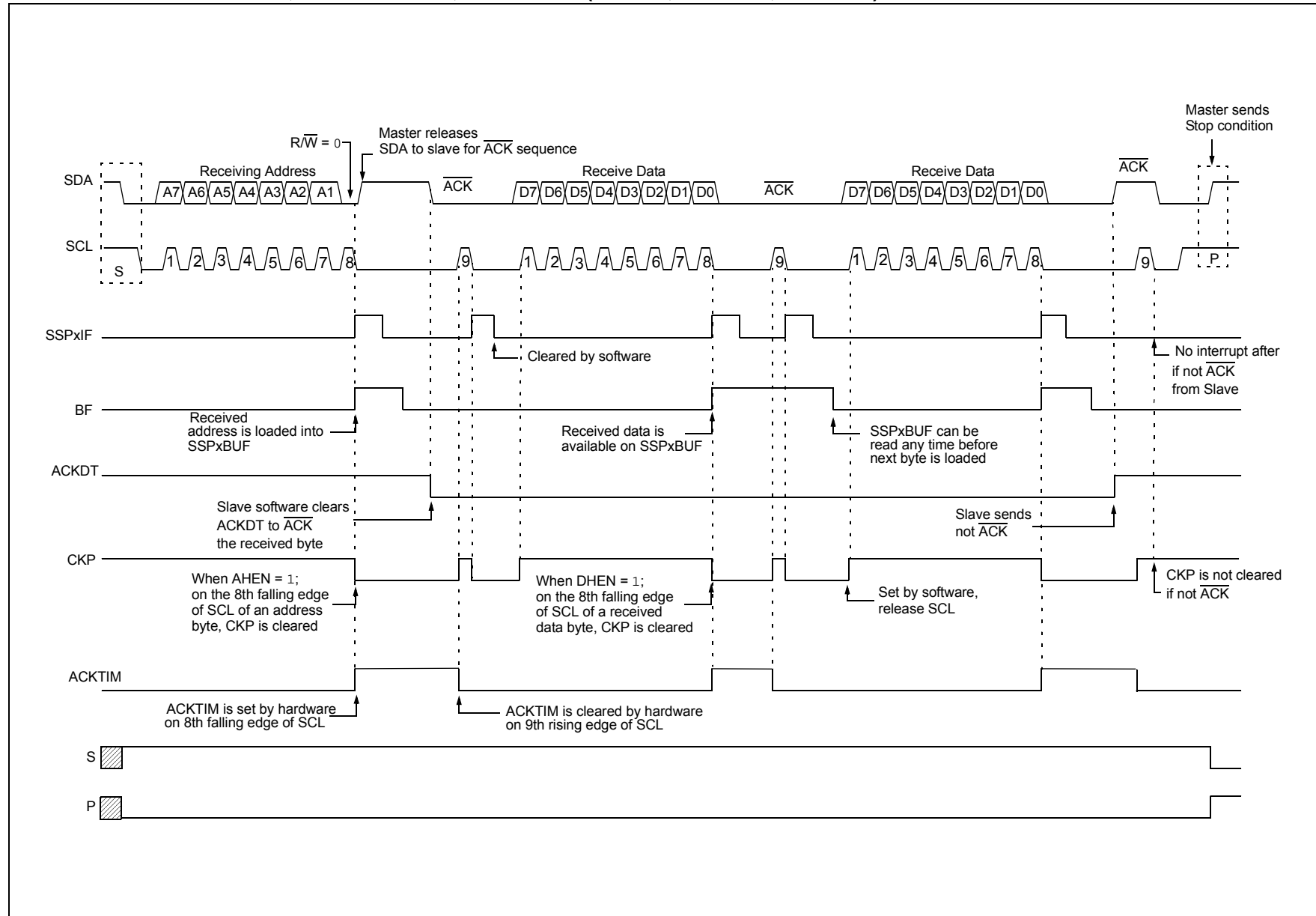


FIGURE 32-16: I²C SLAVE, 7-BIT ADDRESS, RECEPTION (SEN = 0, AHEN = 1, DHEN = 1)



FIGURE 32-17: I²C SLAVE, 7-BIT ADDRESS, RECEPTION (SEN = 1, AHEN = 1, DHEN = 1)



PIC16(L)F1777/8/9

32.5.3 SLAVE TRANSMISSION

When the $\overline{R/W}$ bit of the incoming address byte is set and an address match occurs, the $\overline{R/W}$ bit of the SSPxSTAT register is set. The received address is loaded into the SSPxBUF register, and an \overline{ACK} pulse is sent by the slave on the ninth bit.

Following the \overline{ACK} , slave hardware clears the CKP bit and the SCL pin is held low (see [Section 32.5.6 “Clock Stretching”](#) for more detail). By stretching the clock, the master will be unable to assert another clock pulse until the slave is done preparing the transmit data.

The transmit data must be loaded into the SSPxBUF register which also loads the SSPSR register. Then the SCL pin should be released by setting the CKP bit of the SSPxCON1 register. The eight data bits are shifted out on the falling edge of the SCL input. This ensures that the SDA signal is valid during the SCL high time.

The \overline{ACK} pulse from the master-receiver is latched on the rising edge of the ninth SCL input pulse. This \overline{ACK} value is copied to the ACKSTAT bit of the SSPxCON2 register. If ACKSTAT is set (not \overline{ACK}), then the data transfer is complete. In this case, when the not \overline{ACK} is latched by the slave, the slave goes idle and waits for another occurrence of the Start bit. If the SDA line was low (\overline{ACK}), the next transmit data must be loaded into the SSPxBUF register. Again, the SCL pin must be released by setting bit CKP.

An MSSP interrupt is generated for each data transfer byte. The SSPxIF bit must be cleared by software and the SSPxSTAT register is used to determine the status of the byte. The SSPxIF bit is set on the falling edge of the ninth clock pulse.

32.5.3.1 Slave Mode Bus Collision

A slave receives a Read request and begins shifting data out on the SDA line. If a bus collision is detected and the SBCDE bit of the SSPxCON3 register is set, the BCLIF bit of the PIR register is set. Once a bus collision is detected, the slave goes idle and waits to be addressed again. User software can use the BCLIF bit to handle a slave bus collision.

32.5.3.2 7-bit Transmission

A master device can transmit a read request to a slave, and then clock data out of the slave. The list below outlines what software for a slave will need to do to accomplish a standard transmission. [Figure 32-18](#) can be used as a reference to this list.

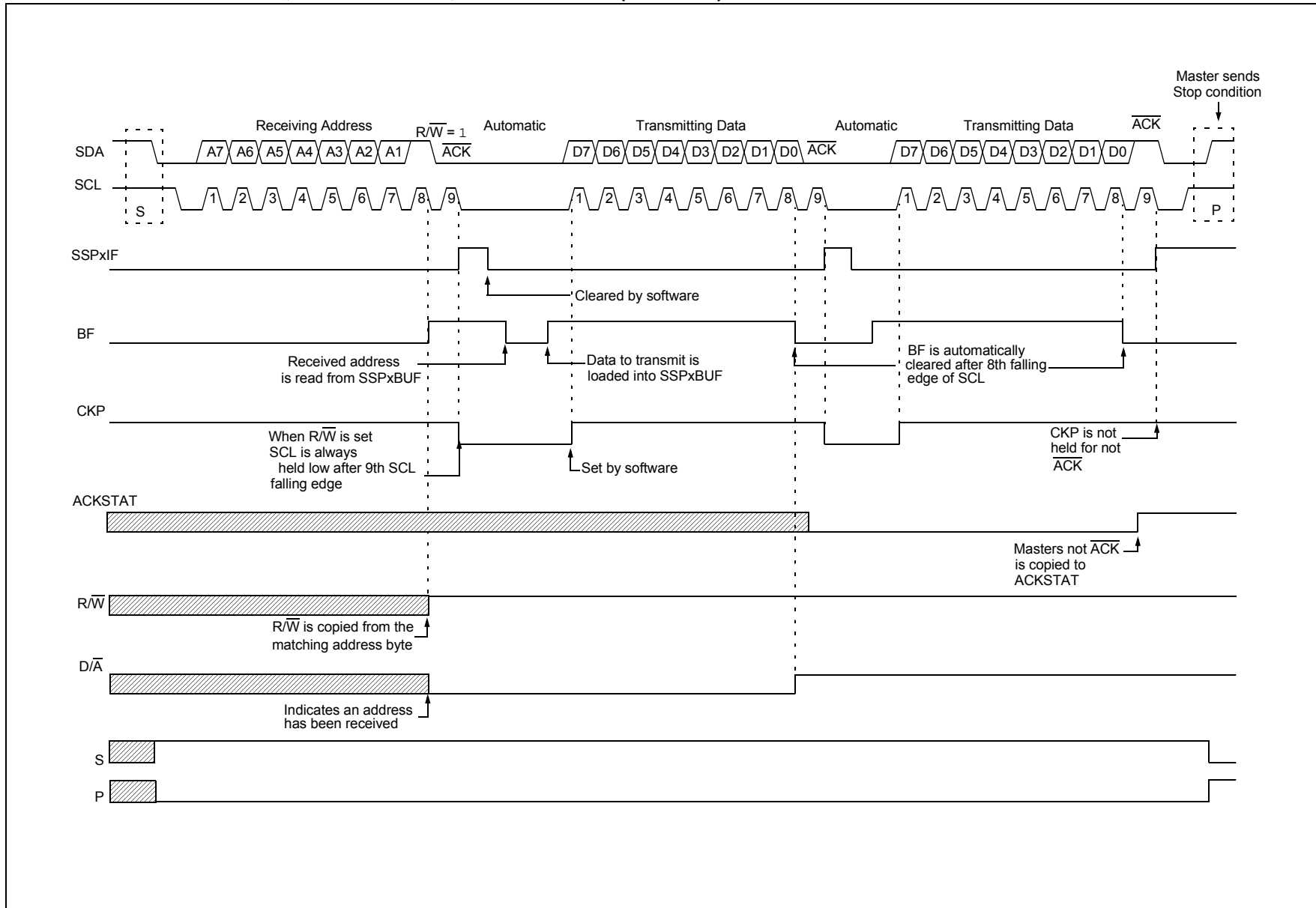
1. Master sends a Start condition on SDA and SCL.
2. S bit of SSPxSTAT is set; SSPxIF is set if interrupt on Start detect is enabled.
3. Matching address with $\overline{R/W}$ bit set is received by the Slave setting SSPxIF bit.
4. Slave hardware generates an \overline{ACK} and sets SSPxIF.
5. SSPxIF bit is cleared by user.
6. Software reads the received address from SSPxBUF, clearing BF.
7. $\overline{R/W}$ is set so CKP was automatically cleared after the \overline{ACK} .
8. The slave software loads the transmit data into SSPxBUF.
9. CKP bit is set releasing SCL, allowing the master to clock the data out of the slave.
10. SSPxIF is set after the \overline{ACK} response from the master is loaded into the ACKSTAT register.
11. SSPxIF bit is cleared.
12. The slave software checks the ACKSTAT bit to see if the master wants to clock out more data.

Note 1: If the master \overline{ACK} s the clock will be stretched.

2: ACKSTAT is the only bit updated on the rising edge of SCL (9th) rather than the falling.

13. Steps 9-13 are repeated for each transmitted byte.
14. If the master sends a not \overline{ACK} ; the clock is not held, but SSPxIF is still set.
15. The master sends a Restart condition or a Stop.
16. The slave is no longer addressed.

FIGURE 32-18: I²C SLAVE, 7-BIT ADDRESS, TRANSMISSION (AHEN = 0)



PIC16(L)F1777/8/9

32.5.3.3 7-bit Transmission with Address Hold Enabled

Setting the AHEN bit of the SSPxCON3 register enables additional clock stretching and interrupt generation after the eighth falling edge of a received matching address. Once a matching address has been clocked in, CKP is cleared and the SSPxIF interrupt is set.

Figure 32-19 displays a standard waveform of a 7-bit address slave transmission with AHEN enabled.

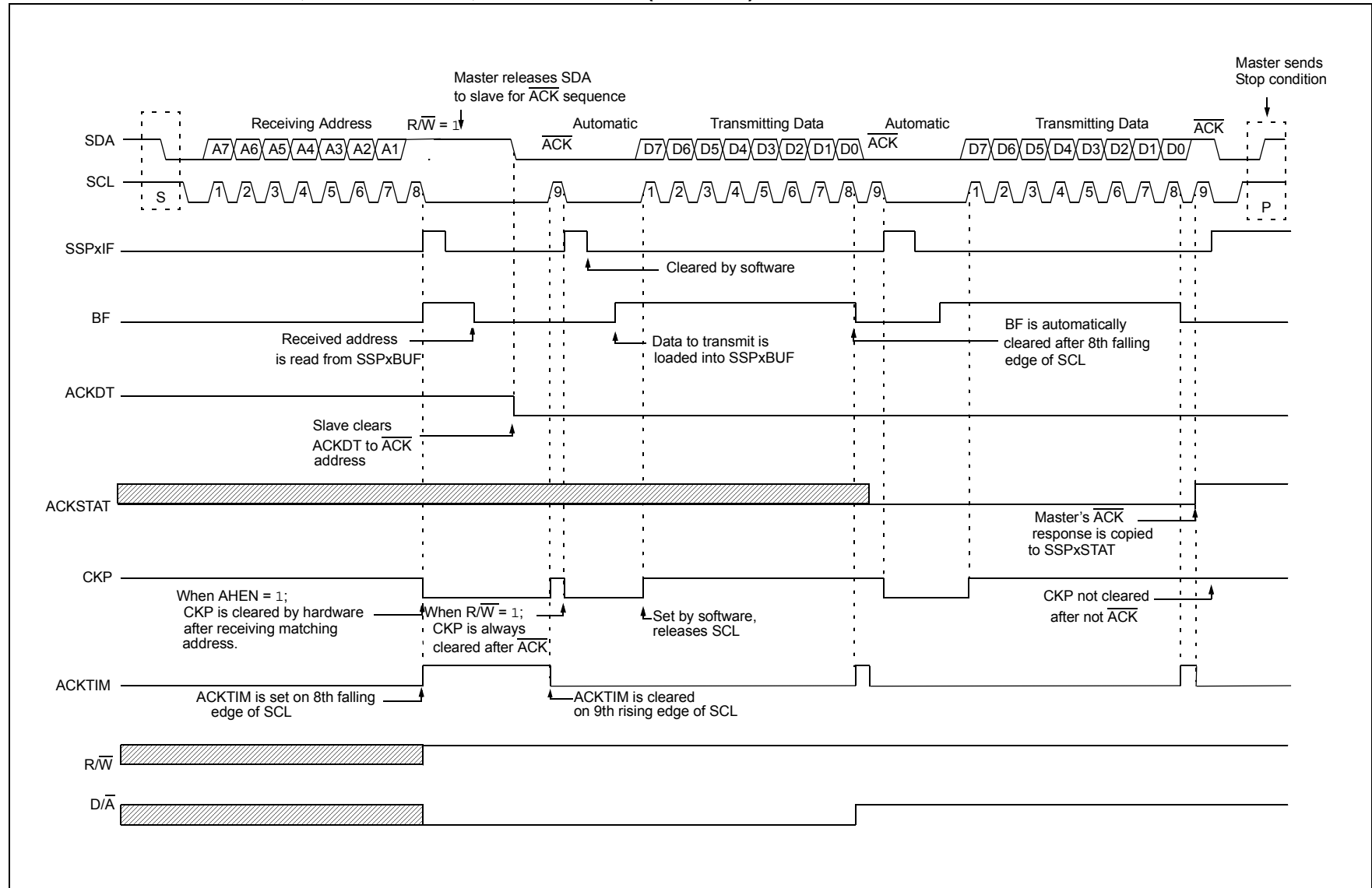
1. Bus starts Idle.
2. Master sends Start condition; the S bit of SSPxSTAT is set; SSPxIF is set if interrupt on Start detect is enabled.
3. Master sends matching address with $\overline{R/W}$ bit set. After the eighth falling edge of the SCL line the CKP bit is cleared and SSPxIF interrupt is generated.
4. Slave software clears SSPxIF.
5. Slave software reads ACKTIM bit of the SSPxCON3 register, and $\overline{R/W}$ and $\overline{D/A}$ of the SSPxSTAT register to determine the source of the interrupt.
6. Slave reads the address value from the SSPxBUF register clearing the BF bit.
7. Slave software decides from this information if it wishes to \overline{ACK} or not \overline{ACK} and sets the ACKDT bit of the SSPxCON2 register accordingly.
8. Slave sets the CKP bit releasing SCL.
9. Master clocks in the \overline{ACK} value from the slave.
10. Slave hardware automatically clears the CKP bit and sets SSPxIF after the \overline{ACK} if the $\overline{R/W}$ bit is set.
11. Slave software clears SSPxIF.
12. Slave loads value to transmit to the master into SSPxBUF setting the BF bit.

Note: SSPxBUF cannot be loaded until after the \overline{ACK} .

13. Slave sets the CKP bit releasing the clock.
14. Master clocks out the data from the slave and sends an \overline{ACK} value on the ninth SCL pulse.
15. Slave hardware copies the \overline{ACK} value into the ACKSTAT bit of the SSPxCON2 register.
16. Steps 10-15 are repeated for each byte transmitted to the master from the slave.
17. If the master sends a not \overline{ACK} the slave releases the bus allowing the master to send a Stop and end the communication.

Note: Master must send a not \overline{ACK} on the last byte to ensure that the slave releases the SCL line to receive a Stop.

FIGURE 32-19: I²C SLAVE, 7-BIT ADDRESS, TRANSMISSION (AHEN = 1)



PIC16(L)F1777/8/9

32.5.4 SLAVE MODE 10-BIT ADDRESS RECEPTION

This section describes a standard sequence of events for the MSSP module configured as an I²C slave in 10-bit Addressing mode.

Figure 32-20 is used as a visual reference for this description.

This is a step by step process of what must be done by slave software to accomplish I²C communication.

1. Bus starts Idle.
2. Master sends Start condition; S bit of SSPxSTAT is set; SSPxIF is set if Interrupt on Start detect is enabled.
3. Master sends matching high address with R/W bit clear; UA bit of the SSPxSTAT register is set.
4. Slave sends \overline{ACK} and SSPxIF is set.
5. Software clears the SSPxIF bit.
6. Software reads received address from SSPxBUF clearing the BF flag.
7. Slave loads low address into SSPxADD, releasing SCL.
8. Master sends matching low address byte to the slave; UA bit is set.

Note: Updates to the SSPxADD register are not allowed until after the \overline{ACK} sequence.

9. Slave sends \overline{ACK} and SSPxIF is set.

Note: If the low address does not match, SSPxIF and UA are still set so that the slave software can set SSPxADD back to the high address. BF is not set because there is no match. CKP is unaffected.

10. Slave clears SSPxIF.
11. Slave reads the received matching address from SSPxBUF clearing BF.
12. Slave loads high address into SSPxADD.
13. Master clocks a data byte to the slave and clocks out the slaves \overline{ACK} on the ninth SCL pulse; SSPxIF is set.
14. If SEN bit of SSPxCON2 is set, CKP is cleared by hardware and the clock is stretched.
15. Slave clears SSPxIF.
16. Slave reads the received byte from SSPxBUF clearing BF.
17. If SEN is set the slave sets CKP to release the SCL.
18. Steps 13-17 repeat for each received byte.
19. Master sends Stop to end the transmission.

32.5.5 10-BIT ADDRESSING WITH ADDRESS OR DATA HOLD

Reception using 10-bit addressing with AHEN or DHEN set is the same as with 7-bit modes. The only difference is the need to update the SSPxADD register using the UA bit. All functionality, specifically when the CKP bit is cleared and SCL line is held low are the same. Figure 32-21 can be used as a reference of a slave in 10-bit addressing with AHEN set.

Figure 32-22 shows a standard waveform for a slave transmitter in 10-bit Addressing mode.

FIGURE 32-20: I²C SLAVE, 10-BIT ADDRESS, RECEPTION (SEN = 1, AHEN = 0, DHEN = 0)

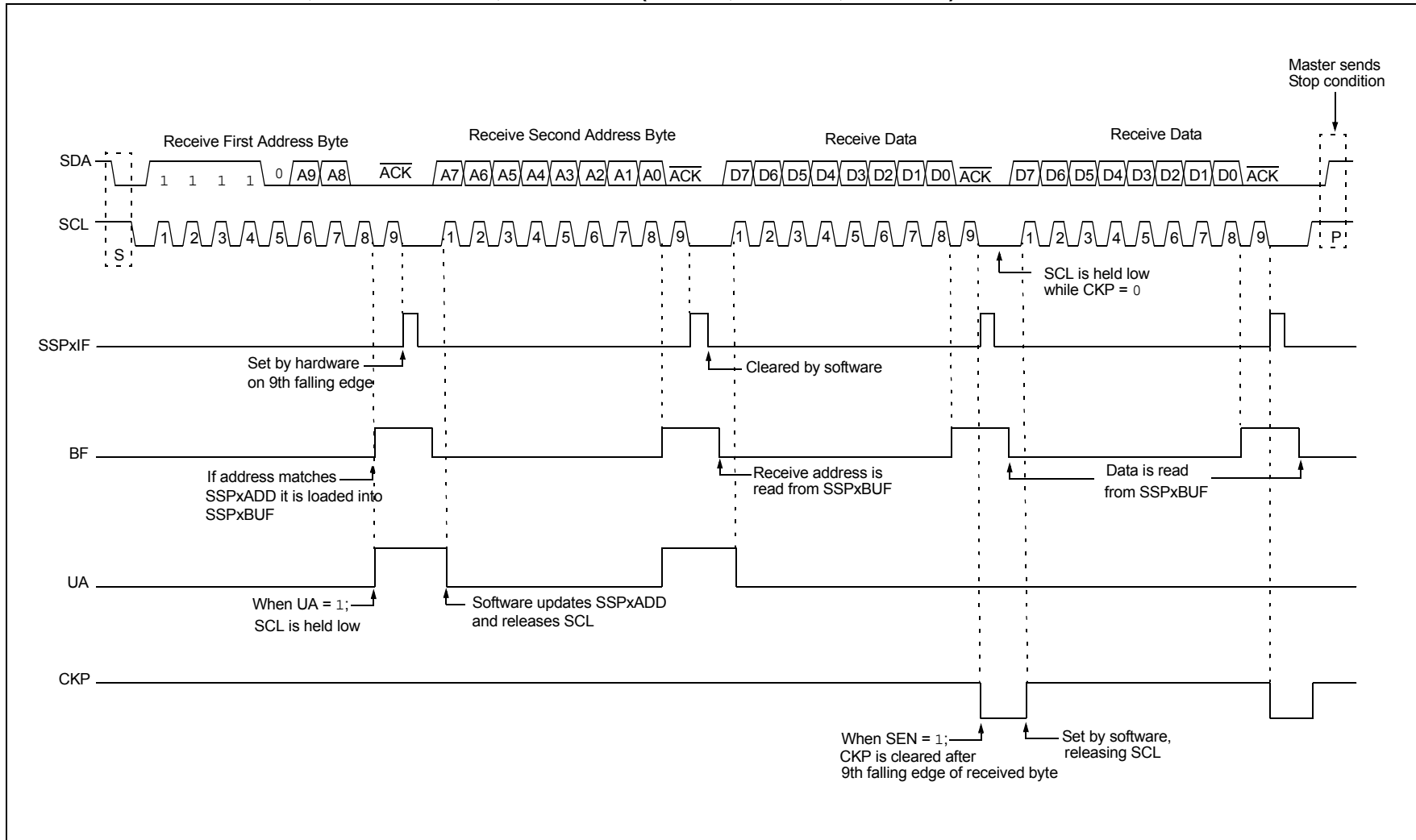
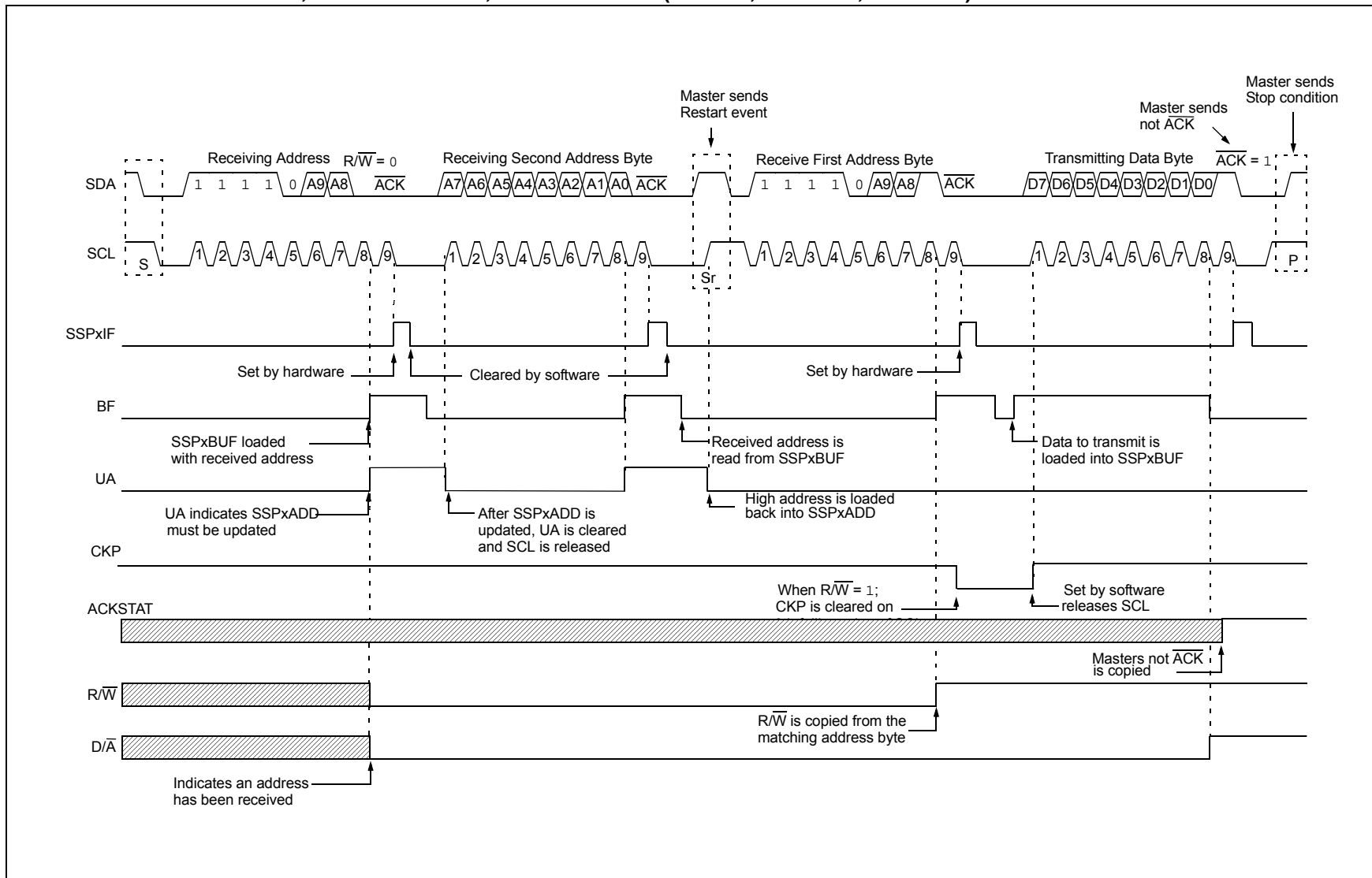


FIGURE 32-21: I²C SLAVE, 10-BIT ADDRESS, RECEPTION (SEN = 0, AHEN = 1, DHEN = 0)



FIGURE 32-22: I²C SLAVE, 10-BIT ADDRESS, TRANSMISSION (SEN = 0, AHEN = 0, DHEN = 0)



PIC16(L)F1777/8/9

32.5.6 CLOCK STRETCHING

Clock stretching occurs when a device on the bus holds the SCL line low, effectively pausing communication. The slave may stretch the clock to allow more time to handle data or prepare a response for the master device. A master device is not concerned with stretching as anytime it is active on the bus and not transferring data it is stretching. Any stretching done by a slave is invisible to the master software and handled by the hardware that generates SCL.

The CKP bit of the SSPxCON1 register is used to control stretching in software. Any time the CKP bit is cleared, the module will wait for the SCL line to go low and then hold it. Setting CKP will release SCL and allow more communication.

32.5.6.1 Normal Clock Stretching

Following an $\overline{\text{ACK}}$ if the $\overline{\text{R/W}}$ bit of SSPxSTAT is set, a read request, the slave hardware will clear CKP. This allows the slave time to update SSPxBUF with data to transfer to the master. If the SEN bit of SSPxCON2 is set, the slave hardware will always stretch the clock after the $\overline{\text{ACK}}$ sequence. Once the slave is ready; CKP is set by software and communication resumes.

- Note 1:** The BF bit has no effect on if the clock will be stretched or not. This is different than previous versions of the module that would not stretch the clock, clear CKP, if SSPxBUF was read before the ninth falling edge of SCL.
- 2:** Previous versions of the module did not stretch the clock for a transmission if SSPxBUF was loaded before the ninth falling edge of SCL. It is now always cleared for read requests.

32.5.6.2 10-bit Addressing Mode

In 10-bit Addressing mode, when the UA bit is set the clock is always stretched. This is the only time the SCL is stretched without CKP being cleared. SCL is released immediately after a write to SSPxADD.

Note: Previous versions of the module did not stretch the clock if the second address byte did not match.

32.5.6.3 Byte NACKing

When AHEN bit of SSPxCON3 is set; CKP is cleared by hardware after the eighth falling edge of SCL for a received matching address byte. When DHEN bit of SSPxCON3 is set; CKP is cleared after the eighth falling edge of SCL for received data.

Stretching after the eighth falling edge of SCL allows the slave to look at the received address or data and decide if it wants to ACK the received data.

32.5.6.4 Clock Synchronization and the CKP Bit

Any time the CKP bit is cleared, the module will wait for the SCL line to go low and then hold it. However, clearing the CKP bit will not assert the SCL output low until the SCL output is already sampled low. Therefore, the CKP bit will not assert the SCL line until an external I²C master device has already asserted the SCL line. The SCL output will remain low until the CKP bit is set and all other devices on the I²C bus have released SCL. This ensures that a write to the CKP bit will not violate the minimum high time requirement for SCL (see Figure 32-23).

FIGURE 32-23: CLOCK SYNCHRONIZATION TIMING



32.5.7 GENERAL CALL ADDRESS SUPPORT

The addressing procedure for the I²C bus is such that the first byte after the Start condition usually determines which device will be the slave addressed by the master device. The exception is the general call address which can address all devices. When this address is used, all devices should, in theory, respond with an acknowledge.

The general call address is a reserved address in the I²C protocol, defined as address 0x00. When the GCEN bit of the SSPxCON2 register is set, the slave module will automatically $\overline{\text{ACK}}$ the reception of this address regardless of the value stored in SSPxADD. After the slave clocks in an address of all zeros with the R/W bit clear, an interrupt is generated and slave software can read SSPxBUF and respond. [Figure 32-24](#) shows a general call reception sequence.

In 10-bit Address mode, the UA bit will not be set on the reception of the general call address. The slave will prepare to receive the second byte as data, just as it would in 7-bit mode.

If the AHEN bit of the SSPxCON3 register is set, just as with any other address reception, the slave hardware will stretch the clock after the eighth falling edge of SCL. The slave must then set its ACKDT value and release the clock with communication progressing as it would normally.

32.5.8 SSP MASK REGISTER

An SSP Mask (SSPxMSK) register ([Register 32-5](#)) is available in I²C Slave mode as a mask for the value held in the SSPSR register during an address comparison operation. A zero ('0') bit in the SSPxMSK register has the effect of making the corresponding bit of the received address a "don't care".

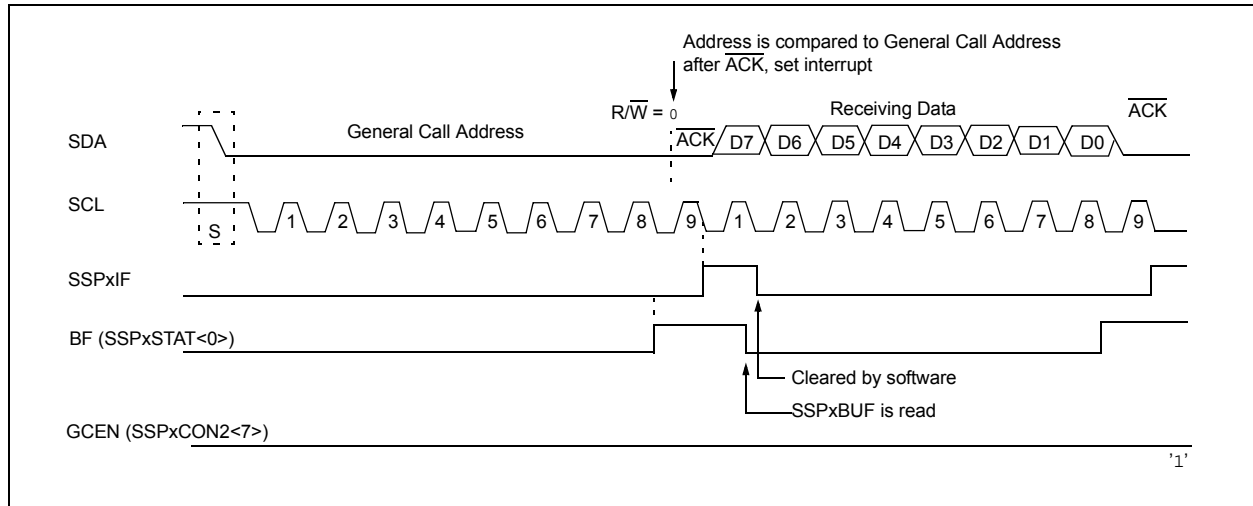
This register is reset to all '1's upon any Reset condition and, therefore, has no effect on standard SSP operation until written with a mask value.

The SSP Mask register is active during:

- 7-bit Address mode: address compare of A<7:1>.

10-bit Address mode: address compare of A<7:0> only. The SSP mask has no effect during the reception of the first (high) byte of the address.

FIGURE 32-24: SLAVE MODE GENERAL CALL ADDRESS SEQUENCE



PIC16(L)F1777/8/9

32.6 I²C Master Mode

Master mode is enabled by setting and clearing the appropriate SSPM bits in the SSPxCON1 register and by setting the SSPEN bit. In Master mode, the SDA and SCK pins must be configured as inputs. The MSSP peripheral hardware will override the output driver TRIS controls when necessary to drive the pins low.

Master mode of operation is supported by interrupt generation on the detection of the Start and Stop conditions. The Stop (P) and Start (S) bits are cleared from a Reset or when the MSSP module is disabled. Control of the I²C bus may be taken when the P bit is set, or the bus is Idle.

In Firmware Controlled Master mode, user code conducts all I²C bus operations based on Start and Stop bit condition detection. Start and Stop condition detection is the only active circuitry in this mode. All other communication is done by the user software directly manipulating the SDA and SCL lines.

The following events will cause the SSP Interrupt Flag bit, SSPxIF, to be set (SSP interrupt, if enabled):

- Start condition detected
- Stop condition detected
- Data transfer byte transmitted/received
- Acknowledge transmitted/received
- Repeated Start generated

Note 1: The MSSP module, when configured in I²C Master mode, does not allow queuing of events. For instance, the user is not allowed to initiate a Start condition and immediately write the SSPxBUF register to initiate transmission before the Start condition is complete. In this case, the SSPxBUF will not be written to and the WCOL bit will be set, indicating that a write to the SSPxBUF did not occur

2: Master mode suspends Start/Stop detection when sending the Start/Stop condition by means of the SEN/PEN control bits. The SSPxIF bit is set at the end of the Start/Stop generation when hardware clears the control bit.

32.6.1 I²C MASTER MODE OPERATION

The master device generates all of the serial clock pulses and the Start and Stop conditions. A transfer is ended with a Stop condition or with a Repeated Start condition. Since the Repeated Start condition is also the beginning of the next serial transfer, the I²C bus will not be released.

In Master Transmitter mode, serial data is output through SDA, while SCL outputs the serial clock. The first byte transmitted contains the slave address of the receiving device (7 bits) and the Read/Write (R/W) bit. In this case, the R/W bit will be logic '0'. Serial data is transmitted eight bits at a time. After each byte is transmitted, an Acknowledge bit is received. Start and Stop conditions are output to indicate the beginning and the end of a serial transfer.

In Master Receive mode, the first byte transmitted contains the slave address of the transmitting device (7 bits) and the R/W bit. In this case, the R/W bit will be logic '1'. Thus, the first byte transmitted is a 7-bit slave address followed by a '1' to indicate the receive bit. Serial data is received via SDA, while SCL outputs the serial clock. Serial data is received eight bits at a time. After each byte is received, an Acknowledge bit is transmitted. Start and Stop conditions indicate the beginning and end of transmission.

A Baud Rate Generator is used to set the clock frequency output on SCL. See [Section 32.7 “Baud Rate Generator”](#) for more detail.

32.6.2 CLOCK ARBITRATION

Clock arbitration occurs when the master, during any receive, transmit or Repeated Start/Stop condition, releases the SCL pin (SCL allowed to float high). When the SCL pin is allowed to float high, the Baud Rate Generator (BRG) is suspended from counting until the SCL pin is actually sampled high. When the SCL pin is sampled high, the Baud Rate Generator is reloaded with the contents of SSPxADD<7:0> and begins counting. This ensures that the SCL high time will always be at least one BRG rollover count in the event that the clock is held low by an external device (Figure 32-25).

FIGURE 32-25: BAUD RATE GENERATOR TIMING WITH CLOCK ARBITRATION



32.6.3 WCOL STATUS FLAG

If the user writes the SSPxBUF when a Start, Restart, Stop, Receive or Transmit sequence is in progress, the WCOL bit is set and the contents of the buffer are unchanged (the write does not occur). Any time the WCOL bit is set it indicates that an action on SSPxBUF was attempted while the module was not idle.

Note: Because queuing of events is not allowed, writing to the lower five bits of SSPxCON2 is disabled until the Start condition is complete.

PIC16(L)F1777/8/9

32.6.4 I²C MASTER MODE START CONDITION TIMING

To initiate a Start condition (Figure 32-26), the user sets the Start Enable bit, SEN bit of the SSPxCON2 register. If the SDA and SCL pins are sampled high, the Baud Rate Generator is reloaded with the contents of SSPxADD<7:0> and starts its count. If SCL and SDA are both sampled high when the Baud Rate Generator times out (TBRG), the SDA pin is driven low. The action of the SDA being driven low while SCL is high is the Start condition and causes the S bit of the SSPxSTAT1 register to be set. Following this, the Baud Rate Generator is reloaded with the contents of SSPxADD<7:0> and resumes its count. When the Baud Rate Generator times out (TBRG), the SEN bit of the SSPxCON2 register will be automatically cleared

by hardware; the Baud Rate Generator is suspended, leaving the SDA line held low and the Start condition is complete.

Note 1: If at the beginning of the Start condition, the SDA and SCL pins are already sampled low, or if during the Start condition, the SCL line is sampled low before the SDA line is driven low, a bus collision occurs, the Bus Collision Interrupt Flag, BCLIF, is set, the Start condition is aborted and the I²C module is reset into its Idle state.

2: The Philips I²C specification states that a bus collision cannot occur on a Start.

FIGURE 32-26: FIRST START BIT TIMING



32.6.5 I²C MASTER MODE REPEATED START CONDITION TIMING

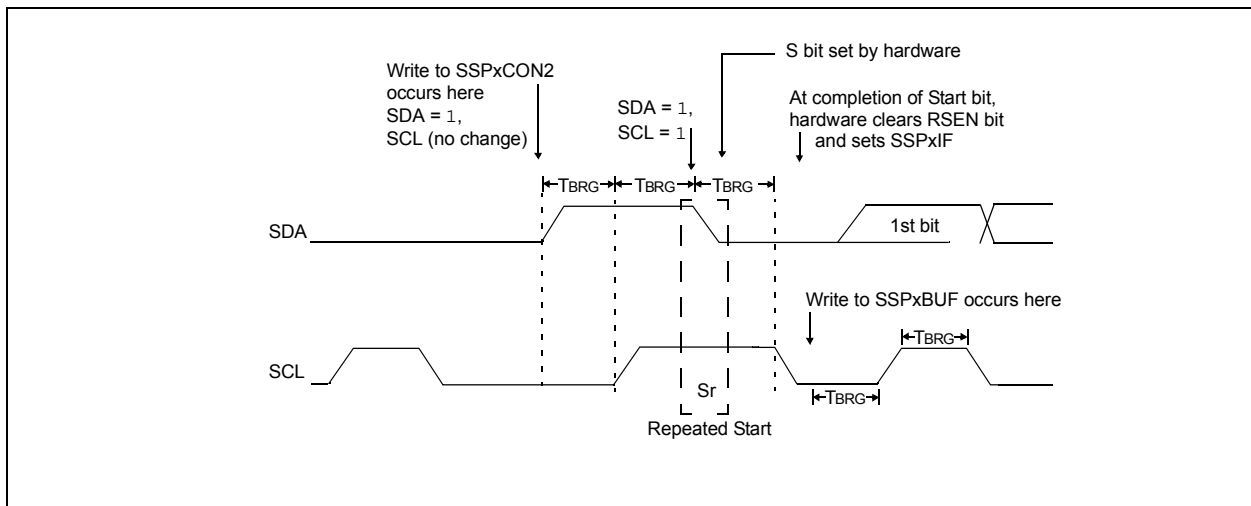
A Repeated Start condition (Figure 32-27) occurs when the RSEN bit of the SSPxCON2 register is programmed high and the master state machine is no longer active. When the RSEN bit is set, the SCL pin is asserted low. When the SCL pin is sampled low, the Baud Rate Generator is loaded and begins counting. The SDA pin is released (brought high) for one Baud Rate Generator count (TBRG). When the Baud Rate Generator times out, if SDA is sampled high, the SCL pin will be deasserted (brought high). When SCL is sampled high, the Baud Rate Generator is reloaded and begins counting. SDA and SCL must be sampled high for one TBRG. This action is then followed by assertion of the SDA pin (SDA = 0) for one TBRG while SCL is high. SCL is asserted low. Following this, the RSEN bit of the SSPxCON2 register will be automatically cleared and the Baud Rate Generator will not be reloaded, leaving the SDA pin held low. As soon as a Start condition is detected on the SDA and SCL pins, the S bit of the SSPxSTAT register will be set. The SSPxIF bit will not be set until the Baud Rate Generator has timed out.

Note 1: If RSEN is programmed while any other event is in progress, it will not take effect.

2: A bus collision during the Repeated Start condition occurs if:

- SDA is sampled low when SCL goes from low-to-high.
- SCL goes low before SDA is asserted low. This may indicate that another master is attempting to transmit a data '1'.

FIGURE 32-27: REPEATED START CONDITION WAVEFORM



PIC16(L)F1777/8/9

32.6.6 I²C MASTER MODE TRANSMISSION

Transmission of a data byte, a 7-bit address or the other half of a 10-bit address is accomplished by simply writing a value to the SSPxBUF register. This action will set the Buffer Full flag bit, BF, and allow the Baud Rate Generator to begin counting and start the next transmission. Each bit of address/data will be shifted out onto the SDA pin after the falling edge of SCL is asserted. SCL is held low for one Baud Rate Generator rollover count (TBRG). Data should be valid before SCL is released high. When the SCL pin is released high, it is held that way for TBRG. The data on the SDA pin must remain stable for that duration and some hold time after the next falling edge of SCL. After the eighth bit is shifted out (the falling edge of the eighth clock), the BF flag is cleared and the master releases SDA. This allows the slave device being addressed to respond with an $\overline{\text{ACK}}$ bit during the ninth bit time if an address match occurred, or if data was received properly. The status of $\overline{\text{ACK}}$ is written into the ACKSTAT bit on the rising edge of the ninth clock. If the master receives an Acknowledge, the Acknowledge Status bit, ACKSTAT, is cleared. If not, the bit is set. After the ninth clock, the SSPxIF bit is set and the master clock (Baud Rate Generator) is suspended until the next data byte is loaded into the SSPxBUF, leaving SCL low and SDA unchanged (Figure 32-28).

After the write to the SSPxBUF, each bit of the address will be shifted out on the falling edge of SCL until all seven address bits and the R/W bit are completed. On the falling edge of the eighth clock, the master will release the SDA pin, allowing the slave to respond with an Acknowledge. On the falling edge of the ninth clock, the master will sample the SDA pin to see if the address was recognized by a slave. The status of the $\overline{\text{ACK}}$ bit is loaded into the ACKSTAT Status bit of the SSPxCON2 register. Following the falling edge of the ninth clock transmission of the address, the SSPxIF is set, the BF flag is cleared and the Baud Rate Generator is turned off until another write to the SSPxBUF takes place, holding SCL low and allowing SDA to float.

32.6.6.1 BF Status Flag

In Transmit mode, the BF bit of the SSPxSTAT register is set when the CPU writes to SSPxBUF and is cleared when all eight bits are shifted out.

32.6.6.2 WCOL Status Flag

If the user writes the SSPxBUF when a transmit is already in progress (i.e., SSPSR is still shifting out a data byte), the WCOL bit is set and the contents of the buffer are unchanged (the write does not occur).

WCOL must be cleared by software before the next transmission.

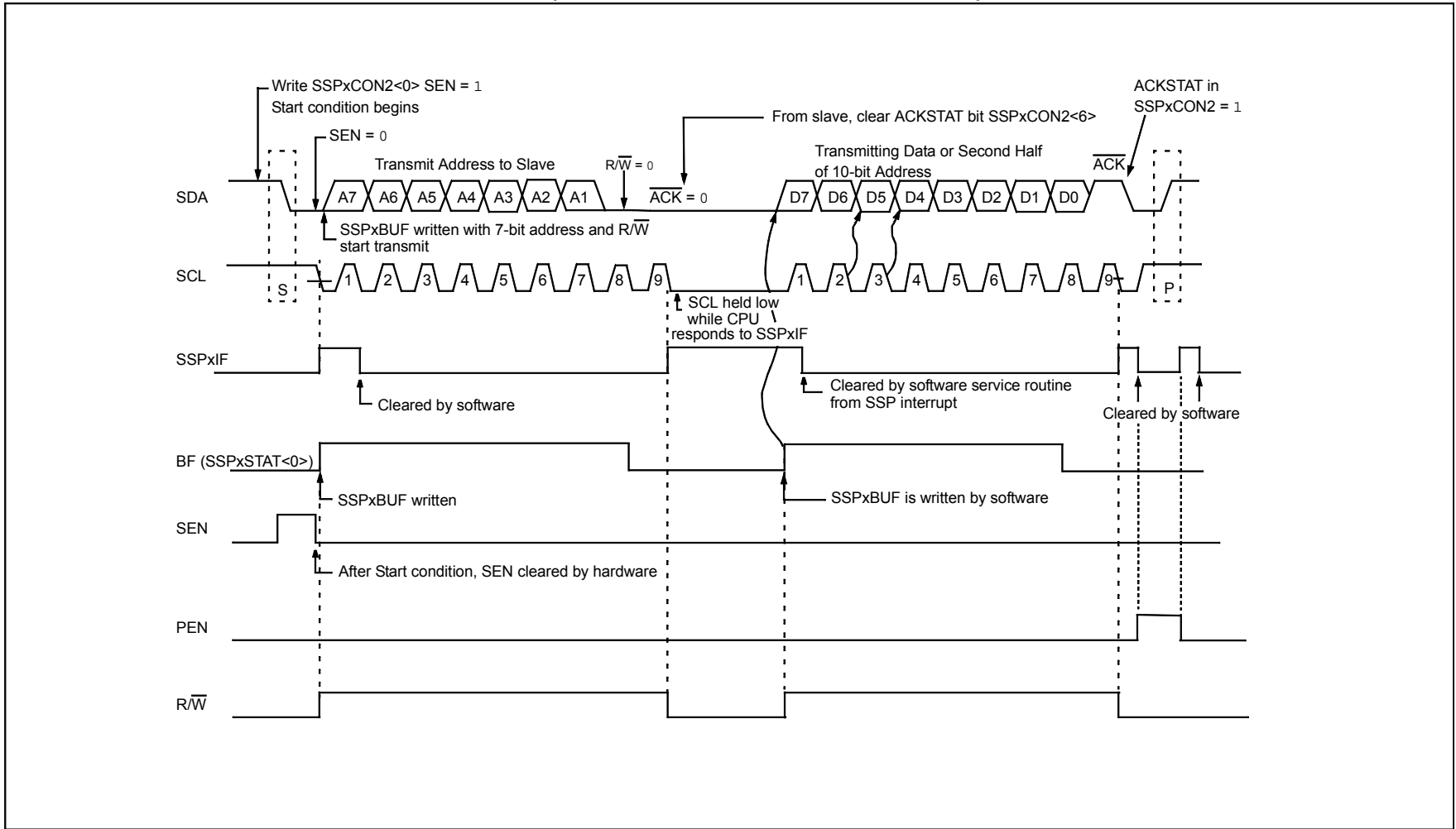
32.6.6.3 ACKSTAT Status Flag

In Transmit mode, the ACKSTAT bit of the SSPxCON2 register is cleared when the slave has sent an Acknowledge ($\text{ACK} = 0$) and is set when the slave does not Acknowledge ($\text{ACK} = 1$). A slave sends an Acknowledge when it has recognized its address (including a general call), or when the slave has properly received its data.

32.6.6.4 Typical Transmit Sequence:

1. The user generates a Start condition by setting the SEN bit of the SSPxCON2 register.
2. SSPxIF is set by hardware on completion of the Start.
3. SSPxIF is cleared by software.
4. The MSSP module will wait the required start time before any other operation takes place.
5. The user loads the SSPxBUF with the slave address to transmit.
6. Address is shifted out the SDA pin until all eight bits are transmitted. Transmission begins as soon as SSPxBUF is written to.
7. The MSSP module shifts in the $\overline{\text{ACK}}$ bit from the slave device and writes its value into the ACKSTAT bit of the SSPxCON2 register.
8. The MSSP module generates an interrupt at the end of the ninth clock cycle by setting the SSPxIF bit.
9. The user loads the SSPxBUF with eight bits of data.
10. Data is shifted out the SDA pin until all eight bits are transmitted.
11. The MSSP module shifts in the $\overline{\text{ACK}}$ bit from the slave device and writes its value into the ACKSTAT bit of the SSPxCON2 register.
12. Steps 8-11 are repeated for all transmitted data bytes.
13. The user generates a Stop or Restart condition by setting the PEN or RSEN bits of the SSPxCON2 register. Interrupt is generated once the Stop/Restart condition is complete.

FIGURE 32-28: I²C MASTER MODE WAVEFORM (TRANSMISSION, 7 OR 10-BIT ADDRESS)



PIC16(L)F1777/8/9

32.6.7 I²C MASTER MODE RECEPTION

Master mode reception (Figure 32-29) is enabled by programming the Receive Enable bit, RCEN bit of the SSPxCON2 register.

Note: The MSSP module must be in an Idle state before the RCEN bit is set or the RCEN bit will be disregarded.

The Baud Rate Generator begins counting and on each rollover, the state of the SCL pin changes (high-to-low/low-to-high) and data is shifted into the SSPSR. After the falling edge of the eighth clock, the receive enable flag is automatically cleared, the contents of the SSPSR are loaded into the SSPxBUF, the BF flag bit is set, the SSPxIF flag bit is set and the Baud Rate Generator is suspended from counting, holding SCL low. The MSSP is now in Idle state awaiting the next command. When the buffer is read by the CPU, the BF flag bit is automatically cleared. The user can then send an Acknowledge bit at the end of reception by setting the Acknowledge Sequence Enable, ACKEN bit of the SSPxCON2 register.

32.6.7.1 BF Status Flag

In receive operation, the BF bit is set when an address or data byte is loaded into SSPxBUF from SSPSR. It is cleared when the SSPxBUF register is read.

32.6.7.2 SSPOV Status Flag

In receive operation, the SSPOV bit is set when eight bits are received into the SSPSR and the BF flag bit is already set from a previous reception.

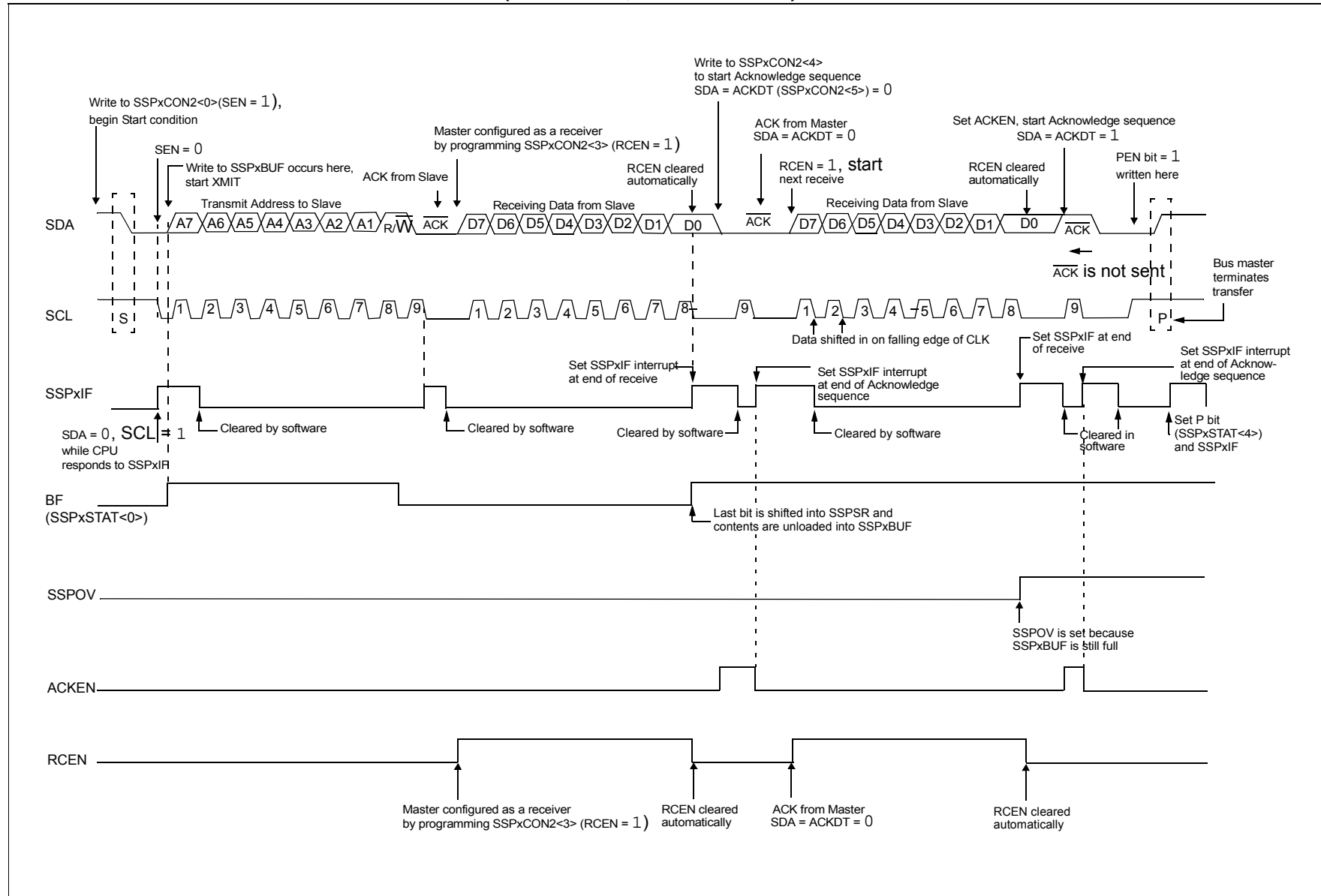
32.6.7.3 WCOL Status Flag

If the user writes the SSPxBUF when a receive is already in progress (i.e., SSPSR is still shifting in a data byte), the WCOL bit is set and the contents of the buffer are unchanged (the write does not occur).

32.6.7.4 Typical Receive Sequence:

1. The user generates a Start condition by setting the SEN bit of the SSPxCON2 register.
2. SSPxIF is set by hardware on completion of the Start.
3. SSPxIF is cleared by software.
4. User writes SSPxBUF with the slave address to transmit and the R/W bit set.
5. Address is shifted out the SDA pin until all eight bits are transmitted. Transmission begins as soon as SSPxBUF is written to.
6. The MSSP module shifts in the $\overline{\text{ACK}}$ bit from the slave device and writes its value into the ACKSTAT bit of the SSPxCON2 register.
7. The MSSP module generates an interrupt at the end of the ninth clock cycle by setting the SSPxIF bit.
8. User sets the RCEN bit of the SSPxCON2 register and the master clocks in a byte from the slave.
9. After the eighth falling edge of SCL, SSPxIF and BF are set.
10. Master clears SSPxIF and reads the received byte from SSPxBUF, clears BF.
11. Master sets $\overline{\text{ACK}}$ value sent to slave in ACKDT bit of the SSPxCON2 register and initiates the $\overline{\text{ACK}}$ by setting the ACKEN bit.
12. Master's $\overline{\text{ACK}}$ is clocked out to the slave and SSPxIF is set.
13. User clears SSPxIF.
14. Steps 8-13 are repeated for each received byte from the slave.
15. Master sends a not $\overline{\text{ACK}}$ or Stop to end communication.

FIGURE 32-29: I²C MASTER MODE WAVEFORM (RECEPTION, 7-BIT ADDRESS)



PIC16(L)F1777/8/9

32.6.8 ACKNOWLEDGE SEQUENCE TIMING

An Acknowledge sequence is enabled by setting the Acknowledge Sequence Enable bit, ACKEN bit of the SSPxCON2 register. When this bit is set, the SCL pin is pulled low and the contents of the Acknowledge data bit are presented on the SDA pin. If the user wishes to generate an Acknowledge, then the ACKDT bit should be cleared. If not, the user should set the ACKDT bit before starting an Acknowledge sequence. The Baud Rate Generator then counts for one rollover period (TBRG) and the SCL pin is deasserted (pulled high). When the SCL pin is sampled high (clock arbitration), the Baud Rate Generator counts for TBRG. The SCL pin is then pulled low. Following this, the ACKEN bit is automatically cleared, the Baud Rate Generator is turned off and the MSSP module then goes into Idle mode (Figure 32-30).

32.6.8.1 WCOL Status Flag

If the user writes the SSPxBUF when an Acknowledge sequence is in progress, then the WCOL bit is set and the contents of the buffer are unchanged (the write does not occur).

32.6.9 STOP CONDITION TIMING

A Stop bit is asserted on the SDA pin at the end of a receive/transmit by setting the Stop Sequence Enable bit, PEN bit of the SSPxCON2 register. At the end of a receive/transmit, the SCL line is held low after the falling edge of the ninth clock. When the PEN bit is set, the master will assert the SDA line low. When the SDA line is sampled low, the Baud Rate Generator is reloaded and counts down to '0'. When the Baud Rate Generator times out, the SCL pin will be brought high and one TBRG (Baud Rate Generator rollover count) later, the SDA pin will be deasserted. When the SDA pin is sampled high while SCL is high, the P bit of the SSPxSTAT register is set. A TBRG later, the PEN bit is cleared and the SSPxIF bit is set (Figure 32-31).

32.6.9.1 WCOL Status Flag

If the user writes the SSPxBUF when a Stop sequence is in progress, then the WCOL bit is set and the contents of the buffer are unchanged (the write does not occur).

FIGURE 32-30: ACKNOWLEDGE SEQUENCE WAVEFORM

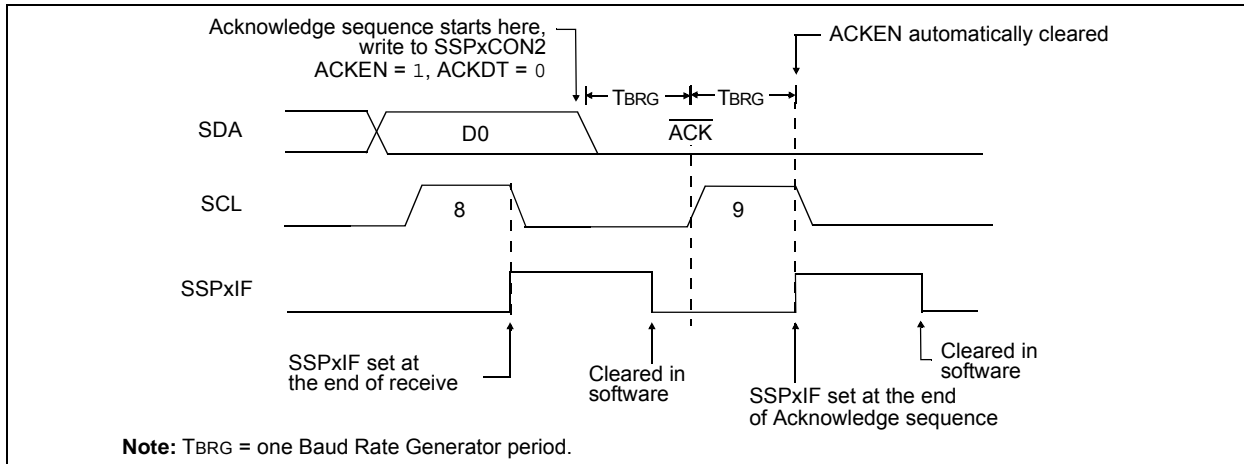


FIGURE 32-31: STOP CONDITION RECEIVE OR TRANSMIT MODE



32.6.10 SLEEP OPERATION

While in Sleep mode, the I²C slave module can receive addresses or data and when an address match or complete byte transfer occurs, wake the processor from Sleep (if the MSSP interrupt is enabled).

32.6.11 EFFECTS OF A RESET

A Reset disables the MSSP module and terminates the current transfer.

32.6.12 MULTI-MASTER MODE

In Multi-Master mode, the interrupt generation on the detection of the Start and Stop conditions allows the determination of when the bus is free. The Stop (P) and Start (S) bits are cleared from a Reset or when the MSSP module is disabled. Control of the I²C bus may be taken when the P bit of the SSPxSTAT register is set, or the bus is Idle, with both the S and P bits clear. When the bus is busy, enabling the SSP interrupt will generate the interrupt when the Stop condition occurs.

In multi-master operation, the SDA line must be monitored for arbitration to see if the signal level is the expected output level. This check is performed by hardware with the result placed in the BCLIF bit.

The states where arbitration can be lost are:

- Address Transfer
- Data Transfer
- A Start Condition
- A Repeated Start Condition
- An Acknowledge Condition

32.6.13 MULTI-MASTER COMMUNICATION, BUS COLLISION AND BUS ARBITRATION

Multi-Master mode support is achieved by bus arbitration. When the master outputs address/data bits onto the SDA pin, arbitration takes place when the master outputs a '1' on SDA, by letting SDA float high and another master asserts a '0'. When the SCL pin floats high, data should be stable. If the expected data on SDA is a '1' and the data sampled on the SDA pin is '0', then a bus collision has taken place. The master will set the Bus Collision Interrupt Flag, BCLIF and reset the I²C port to its Idle state (Figure 32-32).

If a transmit was in progress when the bus collision occurred, the transmission is halted, the BF flag is cleared, the SDA and SCL lines are deasserted and the SSPxBUF can be written to. When the user services the bus collision Interrupt Service Routine and if the I²C bus is free, the user can resume communication by asserting a Start condition.

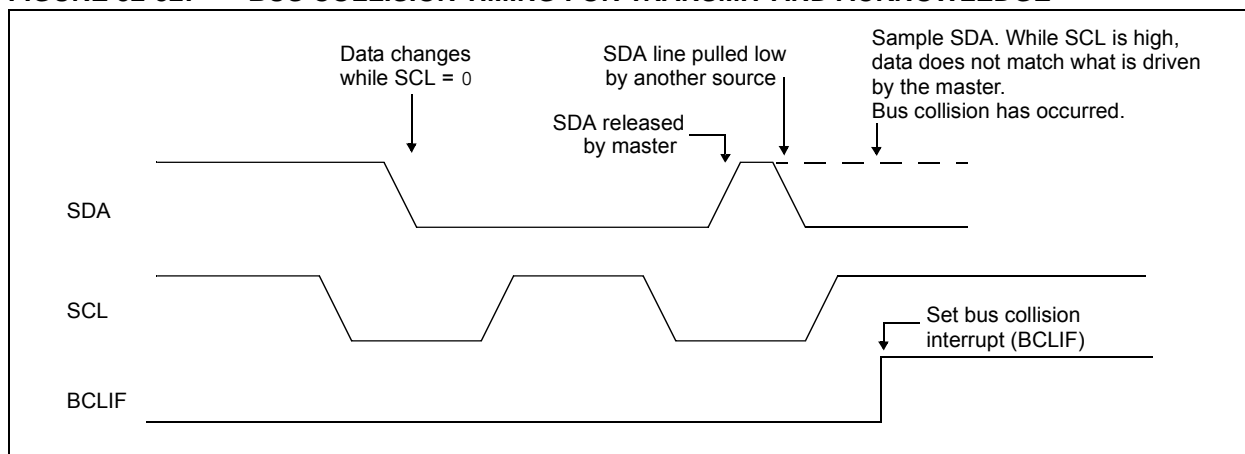
If a Start, Repeated Start, Stop or Acknowledge condition was in progress when the bus collision occurred, the condition is aborted, the SDA and SCL lines are deasserted and the respective control bits in the SSPxCON2 register are cleared. When the user services the bus collision Interrupt Service Routine and if the I²C bus is free, the user can resume communication by asserting a Start condition.

The master will continue to monitor the SDA and SCL pins. If a Stop condition occurs, the SSPxIF bit will be set.

A write to the SSPxBUF will start the transmission of data at the first data bit, regardless of where the transmitter left off when the bus collision occurred.

In Multi-Master mode, the interrupt generation on the detection of Start and Stop conditions allows the determination of when the bus is free. Control of the I²C bus can be taken when the P bit is set in the SSPxSTAT register, or the bus is Idle and the S and P bits are cleared.

FIGURE 32-32: BUS COLLISION TIMING FOR TRANSMIT AND ACKNOWLEDGE



PIC16(L)F1777/8/9

32.6.13.1 Bus Collision During a Start Condition

During a Start condition, a bus collision occurs if:

- SDA or SCL are sampled low at the beginning of the Start condition (Figure 32-33).
- SCL is sampled low before SDA is asserted low (Figure 32-34).

During a Start condition, both the SDA and the SCL pins are monitored.

If the SDA pin is already low, or the SCL pin is already low, then all of the following occur:

- the Start condition is aborted,
- the BCLIF flag is set and
- the MSSP module is reset to its Idle state (Figure 32-33).

The Start condition begins with the SDA and SCL pins deasserted. When the SDA pin is sampled high, the Baud Rate Generator is loaded and counts down. If the SCL pin is sampled low while SDA is high, a bus

collision occurs because it is assumed that another master is attempting to drive a data '1' during the Start condition.

If the SDA pin is sampled low during this count, the BRG is reset and the SDA line is asserted early (Figure 32-35). If, however, a '1' is sampled on the SDA pin, the SDA pin is asserted low at the end of the BRG count. The Baud Rate Generator is then reloaded and counts down to zero; if the SCL pin is sampled as '0' during this time, a bus collision does not occur. At the end of the BRG count, the SCL pin is asserted low.

Note: The reason that bus collision is not a factor during a Start condition is that no two bus masters can assert a Start condition at the exact same time. Therefore, one master will always assert SDA before the other. This condition does not cause a bus collision because the two masters must be allowed to arbitrate the first address following the Start condition. If the address is the same, arbitration must be allowed to continue into the data portion, Repeated Start or Stop conditions.

FIGURE 32-33: BUS COLLISION DURING START CONDITION (SDA ONLY)



FIGURE 32-34: BUS COLLISION DURING START CONDITION (SCL = 0)

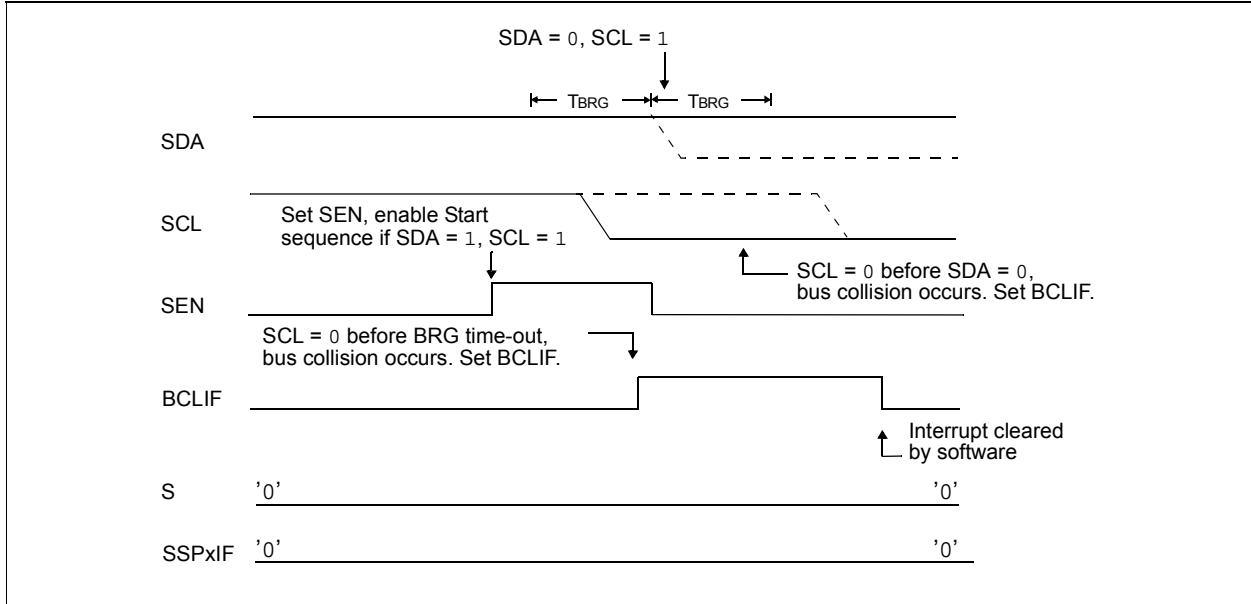
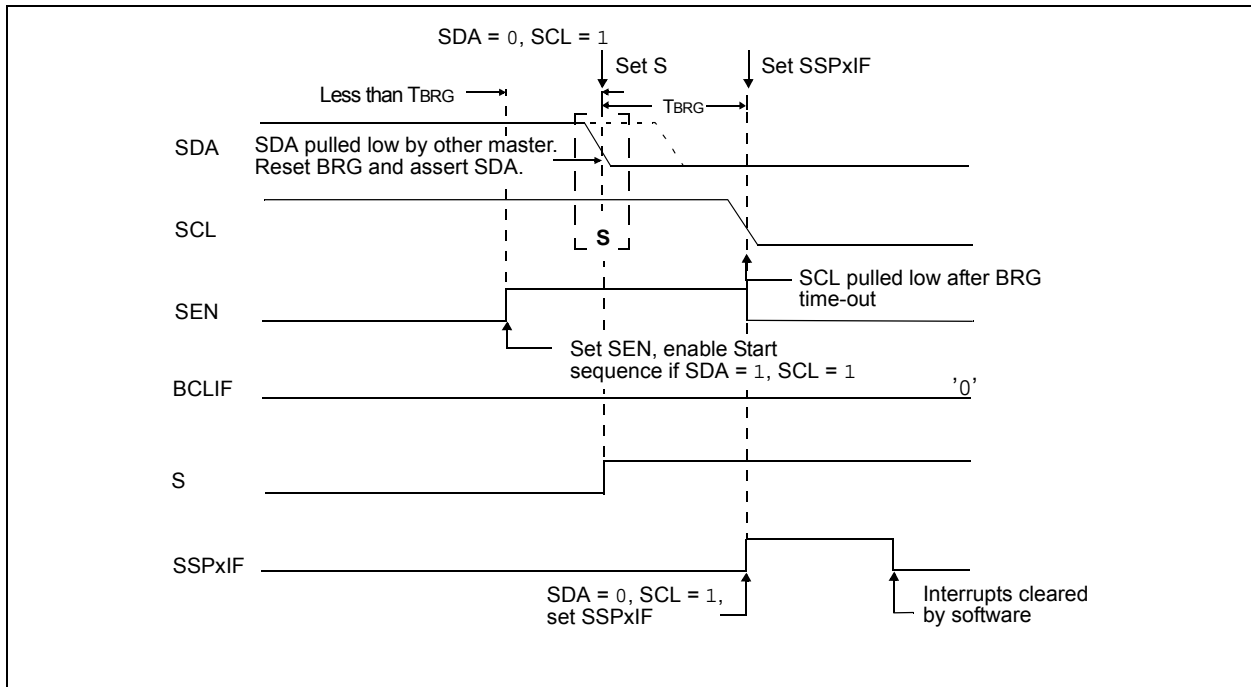


FIGURE 32-35: BRG RESET DUE TO SDA ARBITRATION DURING START CONDITION



PIC16(L)F1777/8/9

32.6.13.2 Bus Collision During a Repeated Start Condition

During a Repeated Start condition, a bus collision occurs if:

- A low level is sampled on SDA when SCL goes from low level to high level (Case 1).
- SCL goes low before SDA is asserted low, indicating that another master is attempting to transmit a data '1' (Case 2).

When the user releases SDA and the pin is allowed to float high, the BRG is loaded with SSPxADD and counts down to zero. The SCL pin is then deasserted and when sampled high, the SDA pin is sampled.

If SDA is low, a bus collision has occurred (i.e., another master is attempting to transmit a data '0', [Figure 32-36](#)). If SDA is sampled high, the BRG is reloaded and begins counting. If SDA goes from high-to-low before the BRG times out, no bus collision occurs because no two masters can assert SDA at exactly the same time.

If SCL goes from high-to-low before the BRG times out and SDA has not already been asserted, a bus collision occurs. In this case, another master is attempting to transmit a data '1' during the Repeated Start condition, see [Figure 32-37](#).

If, at the end of the BRG time-out, both SCL and SDA are still high, the SDA pin is driven low and the BRG is reloaded and begins counting. At the end of the count, regardless of the status of the SCL pin, the SCL pin is driven low and the Repeated Start condition is complete.

FIGURE 32-36: BUS COLLISION DURING A REPEATED START CONDITION (CASE 1)



FIGURE 32-37: BUS COLLISION DURING REPEATED START CONDITION (CASE 2)



32.6.13.3 Bus Collision During a Stop Condition

Bus collision occurs during a Stop condition if:

- After the SDA pin has been deasserted and allowed to float high, SDA is sampled low after the BRG has timed out (Case 1).
- After the SCL pin is deasserted, SCL is sampled low before SDA goes high (Case 2).

The Stop condition begins with SDA asserted low. When SDA is sampled low, the SCL pin is allowed to float. When the pin is sampled high (clock arbitration), the Baud Rate Generator is loaded with SSPxADD and counts down to zero. After the BRG times out, SDA is sampled. If SDA is sampled low, a bus collision has occurred. This is due to another master attempting to drive a data '0' (Figure 32-38). If the SCL pin is sampled low before SDA is allowed to float high, a bus collision occurs. This is another case of another master attempting to drive a data '0' (Figure 32-39).

FIGURE 32-38: BUS COLLISION DURING A STOP CONDITION (CASE 1)

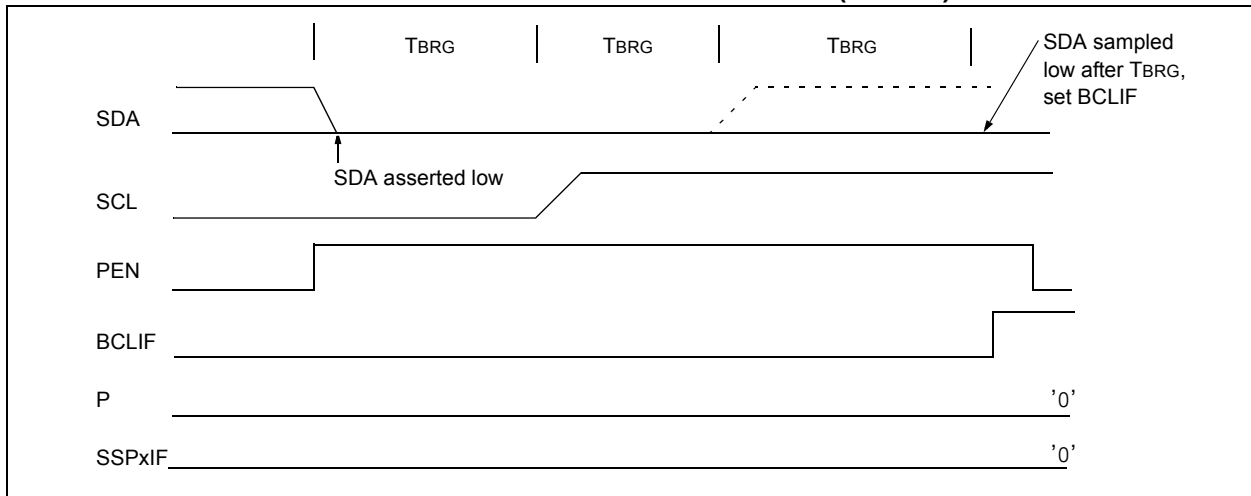
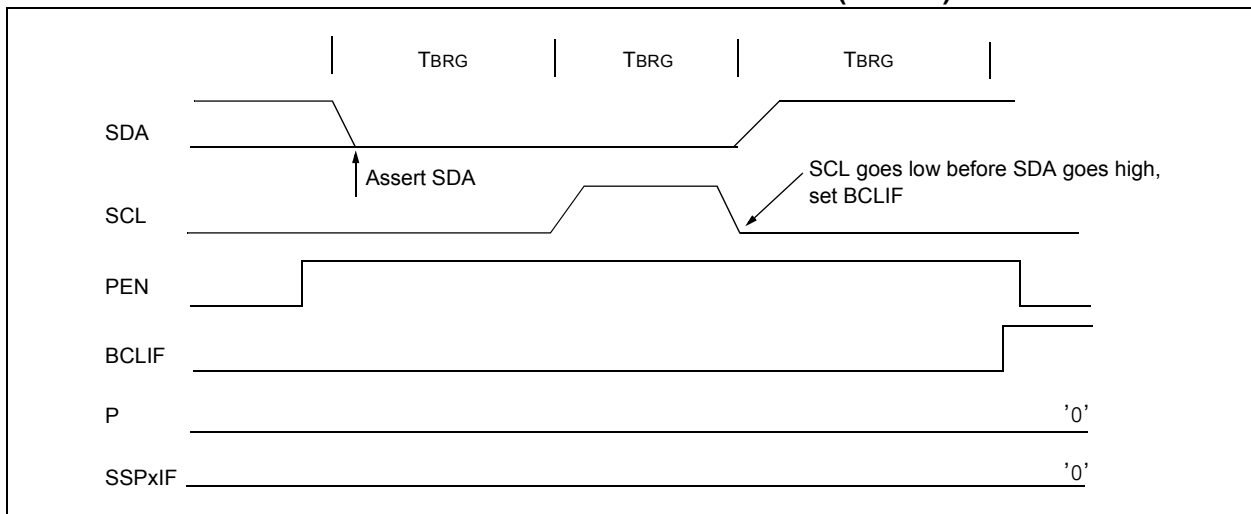


FIGURE 32-39: BUS COLLISION DURING A STOP CONDITION (CASE 2)



PIC16(L)F1777/8/9

TABLE 32-3: SUMMARY OF REGISTERS ASSOCIATED WITH I²C OPERATION

Name	Bit 7	Bit 6	Bit 5	Bit 4	Bit 3	Bit 2	Bit 1	Bit 0	Reset Values on Page:
ANSELA	—	—	ANSA5	ANSA4	ANSA3	ANSA2	ANSA1	ANSA0	177
ANSELB	—	—	ANSB5	ANSB4	ANSB3	ANSB2	ANSB1	ANSB0	182
ANSELC	ANSC7	ANSC6	ANSC5	ANSC4	ANSC3	ANSC2	—	—	187
INTCON	GIE	PEIE	TMR0IE	INTE	IOCFIE	TMR0IF	INTF	IOCFIF	132
PIE1	TMR1GIE	ADIE	RCIE	TXIE	SSP1IE	CCP1IE	TMR2IE	TMR1IE	133
PIE2	OSFIE	C2IE	C1IE	COG1IE	BCL1IE	C4IE	C3IE	CCP2IE	134
PIR1	TMR1GIF	ADIF	RCIF	TXIF	SSP1IF	CCP1IF	TMR2IF	TMR1IF	139
PIR2	OSFIF	C2IF	C1IF	COG1IF	BCL1IF	C4IF	C3IF	CCP2IF	140
RxyPPS	—	—	RxyPPS<5:0>						205
SSPCLKPPS	—	—	SSPCLKPPS<5:0>						205, 207
SSPDATPPS	—	—	SSPDATPPS<5:0>						205, 207
SSPSSPPS	—	—	SSPSSPPS<5:0>						205, 207
SSP1ADD	ADD<7:0>								492
SSP1BUF	Synchronous Serial Port Receive Buffer/Transmit Register								444*
SSP1CON1	WCOL	SSPOV	SSPEN	CKP	SSPM<3:0>				489
SSP1CON2	GCEN	ACKSTAT	ACKDT	ACKEN	RCEN	PEN	RSEN	SEN	490
SSP1CON3	ACKTIM	PCIE	SCIE	BOEN	SDAHT	SBCDE	AHEN	DHEN	491
SSP1MSK	MSK<7:0>								492
SSP1STAT	SMP	CKE	D/Ā	P	S	R/W	UA	BF	488
TRISA	TRISA7	TRISA6	TRISA5	TRISA4	TRISA3	TRISA2	TRISA1	TRISA0	176
TRISB	TRISB7	TRISB6	TRISB5	TRISB4	TRISB3	TRISB2	TRISB1	TRISB0	181
TRISC	TRISC7	TRISC6	TRISC5	TRISC4	TRISC3	TRISC2	TRISC1	TRISC0	186

Legend: — = unimplemented location, read as '0'. Shaded cells are not used by the MSSP module in I²C mode.

* Page provides register information.

32.7 BAUD RATE GENERATOR

The MSSP module has a Baud Rate Generator available for clock generation in both I²C and SPI Master modes. The Baud Rate Generator (BRG) reload value is placed in the SSPxADD register (Register 32-6). When a write occurs to SSPxBUF, the Baud Rate Generator will automatically begin counting down.

Once the given operation is complete, the internal clock will automatically stop counting and the clock pin will remain in its last state.

An internal signal “Reload” in Figure 32-40 triggers the value from SSPxADD to be loaded into the BRG counter. This occurs twice for each oscillation of the

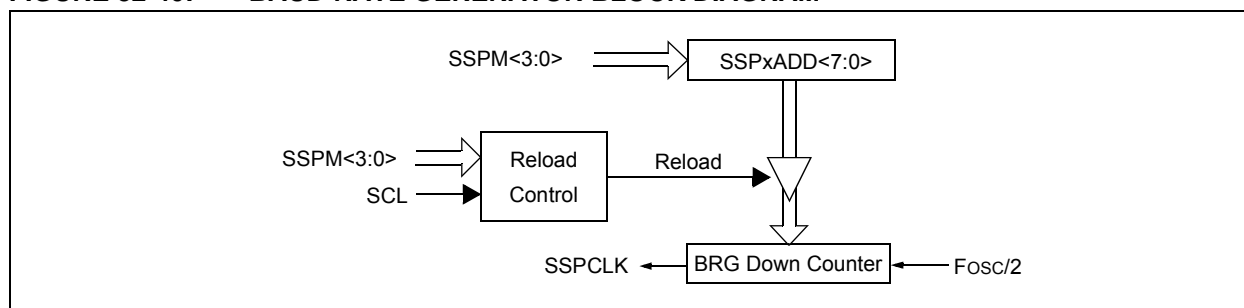
module clock line. The logic dictating when the reload signal is asserted depends on the mode the MSSP is being operated in.

Table 32-4 demonstrates clock rates based on instruction cycles and the BRG value loaded into SSPxADD.

EQUATION 32-1:

$$F_{CLOCK} = \frac{F_{OSC}}{(SSPxADD + 1)(4)}$$

FIGURE 32-40: BAUD RATE GENERATOR BLOCK DIAGRAM



Note: Values of 0x00, 0x01 and 0x02 are not valid for SSPxADD when used as a Baud Rate Generator for I²C. This is an implementation limitation.

TABLE 32-4: MSSP CLOCK RATE W/BRG

Fosc	Fcy	BRG Value	F _{CLOCK} (2 Rollovers of BRG)
32 MHz	8 MHz	13h	400 kHz
32 MHz	8 MHz	19h	308 kHz
32 MHz	8 MHz	4Fh	100 kHz
16 MHz	4 MHz	09h	400 kHz
16 MHz	4 MHz	0Ch	308 kHz
16 MHz	4 MHz	27h	100 kHz
4 MHz	1 MHz	09h	100 kHz

Note: Refer to the I/O port electrical specifications in Table 36-10 and Figure 32-7 to ensure the system is designed to support I/O requirements.

PIC16(L)F1777/8/9

32.8 Register Definitions: MSSP Control

REGISTER 32-1: SSP1STAT: SSP STATUS REGISTER

R/W-0/0	R/W-0/0	R-0/0	R-0/0	R-0/0	R-0/0	R-0/0	R-0/0
SMP	CKE	D/A	P	S	R/W	UA	BF
bit 7							bit 0

Legend:

R = Readable bit	W = Writable bit	U = Unimplemented bit, read as '0'
u = Bit is unchanged	x = Bit is unknown	-n/n = Value at POR and BOR/Value at all other Resets
'1' = Bit is set	'0' = Bit is cleared	

bit 7	<p>SMP: SPI Data Input Sample bit</p> <p><u>SPI Master mode:</u> 1 = Input data sampled at end of data output time 0 = Input data sampled at middle of data output time</p> <p><u>SPI Slave mode:</u> SMP must be cleared when SPI is used in Slave mode</p> <p><u>In I²C Master or Slave mode:</u> 1 = Slow rate control disabled for Standard Speed mode (100 kHz and 1 MHz) 0 = Slow rate control enabled for High-Speed mode (400 kHz)</p>
bit 6	<p>CKE: SPI Clock Edge Select bit (SPI mode only)</p> <p><u>In SPI Master or Slave mode:</u> 1 = Transmit occurs on transition from active to Idle clock state 0 = Transmit occurs on transition from Idle to active clock state</p> <p><u>In I²C mode only:</u> 1 = Enable input logic so that thresholds are compliant with SMBus specification 0 = Disable SMBus specific inputs</p>
bit 5	<p>D/A: Data/Address bit (I²C mode only)</p> <p>1 = Indicates that the last byte received or transmitted was data 0 = Indicates that the last byte received or transmitted was address</p>
bit 4	<p>P: Stop bit</p> <p>(I²C mode only. This bit is cleared when the MSSP module is disabled, SSPEN is cleared.) 1 = Indicates that a Stop bit has been detected last (this bit is '0' on Reset) 0 = Stop bit was not detected last</p>
bit 3	<p>S: Start bit</p> <p>(I²C mode only. This bit is cleared when the MSSP module is disabled, SSPEN is cleared.) 1 = Indicates that a Start bit has been detected last (this bit is '0' on Reset) 0 = Start bit was not detected last</p>
bit 2	<p>R/W: Read/Write bit information (I²C mode only)</p> <p>This bit holds the R/W bit information following the last address match. This bit is only valid from the address match to the next Start bit, Stop bit, or not ACK bit.</p> <p><u>In I²C Slave mode:</u> 1 = Read 0 = Write</p> <p><u>In I²C Master mode:</u> 1 = Transmit is in progress 0 = Transmit is not in progress</p> <p>OR-ing this bit with SEN, RSEN, PEN, RCEN or ACKEN will indicate if the MSSP is in Idle mode.</p>
bit 1	<p>UA: Update Address bit (10-bit I²C mode only)</p> <p>1 = Indicates that the user needs to update the address in the SSP1ADD register 0 = Address does not need to be updated</p>
bit 0	<p>BF: Buffer Full Status bit</p> <p><u>Receive (SPI and I²C modes):</u> 1 = Receive complete, SSP1BUF is full 0 = Receive not complete, SSP1BUF is empty</p> <p><u>Transmit (I²C mode only):</u> 1 = Data transmit in progress (does not include the ACK and Stop bits), SSP1BUF is full 0 = Data transmit complete (does not include the ACK and Stop bits), SSP1BUF is empty</p>

REGISTER 32-2: SSP1CON1: SSP CONTROL REGISTER 1

R/C/HS-0/0	R/C/HS-0/0	R/W-0/0	R/W-0/0	R/W-0/0	R/W-0/0	R/W-0/0	R/W-0/0
WCOL	SSPOV ⁽¹⁾	SSPEN	CKP	SSPM<3:0>			
bit 7							bit 0

Legend:

R = Readable bit	W = Writable bit	U = Unimplemented bit, read as '0'
u = Bit is unchanged	x = Bit is unknown	-n/n = Value at POR and BOR/Value at all other Resets
'1' = Bit is set	'0' = Bit is cleared	HS = Bit is set by hardware C = User cleared

bit 7	<p>WCOL: Write Collision Detect bit</p> <p><u>Master mode:</u> 1 = A write to the SSP1BUF register was attempted while the I²C conditions were not valid for a transmission to be started 0 = No collision</p> <p><u>Slave mode:</u> 1 = The SSP1BUF register is written while it is still transmitting the previous word (must be cleared in software) 0 = No collision</p>
bit 6	<p>SSPOV: Receive Overflow Indicator bit⁽¹⁾</p> <p><u>In SPI mode:</u> 1 = A new byte is received while the SSP1BUF register is still holding the previous data. In case of overflow, the data in SSPSR is lost. Overflow can only occur in Slave mode. In Slave mode, the user must read the SSP1BUF, even if only transmitting data, to avoid setting overflow. In Master mode, the overflow bit is not set since each new reception (and transmission) is initiated by writing to the SSP1BUF register (must be cleared in software). 0 = No overflow</p> <p><u>In I²C mode:</u> 1 = A byte is received while the SSP1BUF register is still holding the previous byte. SSPOV is a "don't care" in Transmit mode (must be cleared in software). 0 = No overflow</p>
bit 5	<p>SSPEN: Synchronous Serial Port Enable bit</p> <p>In both modes, when enabled, these pins must be properly configured as input or output</p> <p><u>In SPI mode:</u> 1 = Enables serial port and configures SCK, SDO, SDI and \overline{SS} as the source of the serial port pins⁽²⁾ 0 = Disables serial port and configures these pins as I/O port pins</p> <p><u>In I²C mode:</u> 1 = Enables the serial port and configures the SDA and SCL pins as the source of the serial port pins⁽³⁾ 0 = Disables serial port and configures these pins as I/O port pins</p>
bit 4	<p>CKP: Clock Polarity Select bit</p> <p><u>In SPI mode:</u> 1 = Idle state for clock is a high level 0 = Idle state for clock is a low level</p> <p><u>In I²C Slave mode:</u> SCL release control 1 = Enable clock 0 = Holds clock low (clock stretch). (Used to ensure data setup time.)</p> <p><u>In I²C Master mode:</u> Unused in this mode</p>
bit 3-0	<p>SSPM<3:0>: Synchronous Serial Port Mode Select bits</p> <p>1111 = I²C Slave mode, 10-bit address with Start and Stop bit interrupts enabled 1110 = I²C Slave mode, 7-bit address with Start and Stop bit interrupts enabled 1101 = Reserved 1100 = Reserved 1011 = I²C firmware controlled Master mode (slave idle) 1010 = SPI Master mode, clock = $F_{osc}/(4 * (SSP1ADD+1))$⁽⁵⁾ 1001 = Reserved 1000 = I²C Master mode, clock = $F_{osc} / (4 * (SSP1ADD+1))$⁽⁴⁾ 0111 = I²C Slave mode, 10-bit address 0110 = I²C Slave mode, 7-bit address 0101 = SPI Slave mode, clock = SCK pin, \overline{SS} pin control disabled, \overline{SS} can be used as I/O pin 0100 = SPI Slave mode, clock = SCK pin, \overline{SS} pin control enabled 0011 = SPI Master mode, clock = $T2_match/2$ 0010 = SPI Master mode, clock = $F_{osc}/64$ 0001 = SPI Master mode, clock = $F_{osc}/16$ 0000 = SPI Master mode, clock = $F_{osc}/4$</p>

- Note**
- 1: In Master mode, the overflow bit is not set since each new reception (and transmission) is initiated by writing to the SSP1BUF register.
 - 2: When enabled, these pins must be properly configured as input or output. Use SSPSSPPS, SSPCLKPPS, SSPDATPPS, and RxyPPS to select the pins.
 - 3: When enabled, the SDA and SCL pins must be configured as inputs. Use SSPCLKPPS, SSPDATPPS, and RxyPPS to select the pins.
 - 4: SSP1ADD values of 0, 1 or 2 are not supported for I²C mode.
 - 5: SSP1ADD value of '0' is not supported. Use SSPM = 0000 instead.

PIC16(L)F1777/8/9

REGISTER 32-3: SSP1CON2: SSP CONTROL REGISTER 2⁽¹⁾

R/W-0/0	R-0/0	R/W-0/0	R/S/HS-0/0	R/S/HS-0/0	R/S/HS-0/0	R/S/HS-0/0	R/W/HS-0/0
GCEN	ACKSTAT	ACKDT	ACKEN	RCEN	PEN	RSEN	SEN
bit 7							bit 0

Legend:

R = Readable bit	W = Writable bit	U = Unimplemented bit, read as '0'
u = Bit is unchanged	x = Bit is unknown	-n/n = Value at POR and BOR/Value at all other Resets
'1' = Bit is set	'0' = Bit is cleared	HC = Cleared by hardware S = User set

- bit 7 **GCEN:** General Call Enable bit (in I²C Slave mode only)
 1 = Enable interrupt when a general call address (0x00 or 00h) is received in the SSPSR
 0 = General call address disabled
- bit 6 **ACKSTAT:** Acknowledge Status bit (in I²C mode only)
 1 = Acknowledge was not received
 0 = Acknowledge was received
- bit 5 **ACKDT:** Acknowledge Data bit (in I²C mode only)
In Receive mode:
 Value transmitted when the user initiates an Acknowledge sequence at the end of a receive
 1 = Not Acknowledge
 0 = Acknowledge
- bit 4 **ACKEN:** Acknowledge Sequence Enable bit (in I²C Master mode only)
In Master Receive mode:
 1 = Initiate Acknowledge sequence on SDA and SCL pins, and transmit ACKDT data bit.
 Automatically cleared by hardware.
 0 = Acknowledge sequence idle
- bit 3 **RCEN:** Receive Enable bit (in I²C Master mode only)
 1 = Enables Receive mode for I²C
 0 = Receive idle
- bit 2 **PEN:** Stop Condition Enable bit (in I²C Master mode only)
SCKMSSP Release Control:
 1 = Initiate Stop condition on SDA and SCL pins. Automatically cleared by hardware.
 0 = Stop condition Idle
- bit 1 **RSEN:** Repeated Start Condition Enable bit (in I²C Master mode only)
 1 = Initiate Repeated Start condition on SDA and SCL pins. Automatically cleared by hardware.
 0 = Repeated Start condition Idle
- bit 0 **SEN:** Start Condition Enable/Stretch Enable bit
In Master mode:
 1 = Initiate Start condition on SDA and SCL pins. Automatically cleared by hardware.
 0 = Start condition Idle
In Slave mode:
 1 = Clock stretching is enabled for both slave transmit and slave receive (stretch enabled)
 0 = Clock stretching is disabled

Note 1: For bits ACKEN, RCEN, PEN, RSEN, SEN: If the I²C module is not in the Idle mode, this bit may not be set (no spooling) and the SSP1BUF may not be written (or writes to the SSP1BUF are disabled).

REGISTER 32-4: SSP1CON3: SSP CONTROL REGISTER 3

R-0/0	R/W-0/0	R/W-0/0	R/W-0/0	R/W-0/0	R/W-0/0	R/W-0/0	R/W-0/0
ACKTIM ⁽³⁾	PCIE	SCIE	BOEN	SDAHT	SBCDE	AHEN	DHEN
bit 7							bit 0

Legend:

R = Readable bit	W = Writable bit	U = Unimplemented bit, read as '0'
u = Bit is unchanged	x = Bit is unknown	-n/n = Value at POR and BOR/Value at all other Resets
'1' = Bit is set	'0' = Bit is cleared	

- bit 7 **ACKTIM:** Acknowledge Time Status bit (I²C mode only)⁽³⁾
 1 = Indicates the I²C bus is in an Acknowledge sequence, set on eighth falling edge of SCL clock
 0 = Not an Acknowledge sequence, cleared on ninth rising edge of SCL clock
- bit 6 **PCIE:** Stop Condition Interrupt Enable bit (I²C slave mode only)
 1 = Enable interrupt on detection of Stop condition
 0 = Stop detection interrupts are disabled⁽²⁾
- bit 5 **SCIE:** Start Condition Interrupt Enable bit (I²C slave mode only)
 1 = Enable interrupt on detection of Start or Restart conditions
 0 = Start detection interrupts are disabled⁽²⁾
- bit 4 **BOEN:** Buffer Overwrite Enable bit
In SPI Slave mode:⁽¹⁾
 1 = SSP1BUF updates every time that a new data byte is shifted in ignoring the BF bit
 0 = If new byte is received with BF bit of the SSP1STAT register already set, SSPOV bit of the SSP1CON1 register is set, and the buffer is not updated
In I²C Master mode and SPI Master mode:
 This bit is ignored.
In I²C Slave mode:
 1 = SSP1BUF is updated and $\overline{\text{ACK}}$ is generated for a received address/data byte, ignoring the state of the SSPOV bit only if the BF bit = 0.
 0 = SSP1BUF is only updated when SSPOV is clear
- bit 3 **SDAHT:** SDA Hold Time Selection bit (I²C mode only)
 1 = Minimum of 300 ns hold time on SDA after the falling edge of SCL
 0 = Minimum of 100 ns hold time on SDA after the falling edge of SCL
- bit 2 **SBCDE:** Slave Mode Bus Collision Detect Enable bit (I²C Slave mode only)
 If, on the rising edge of SCL, SDA is sampled low when the module is outputting a high state, the BCL1IF bit of the PIR2 register is set, and bus goes idle
 1 = Enable slave bus collision interrupts
 0 = Slave bus collision interrupts are disabled
- bit 1 **AHEN:** Address Hold Enable bit (I²C Slave mode only)
 1 = Following the eighth falling edge of SCL for a matching received address byte; CKP bit of the SSP1CON1 register will be cleared and the SCL will be held low.
 0 = Address holding is disabled
- bit 0 **DHEN:** Data Hold Enable bit (I²C Slave mode only)
 1 = Following the eighth falling edge of SCL for a received data byte; slave hardware clears the CKP bit of the SSP1CON1 register and SCL is held low.
 0 = Data holding is disabled

- Note 1:** For daisy-chained SPI operation; allows the user to ignore all but the last received byte. SSPOV is still set when a new byte is received and BF = 1, but hardware continues to write the most recent byte to SSP1BUF.
- 2:** This bit has no effect in Slave modes that Start and Stop condition detection is explicitly listed as enabled.
- 3:** The ACKTIM Status bit is only active when the AHEN bit or DHEN bit is set.

PIC16(L)F1777/8/9

REGISTER 32-5: SSP1MSK: SSP MASK REGISTER

R/W-1/1	R/W-1/1	R/W-1/1	R/W-1/1	R/W-1/1	R/W-1/1	R/W-1/1	R/W-1/1
MSK<7:0>							
bit 7							bit 0

Legend:

R = Readable bit	W = Writable bit	U = Unimplemented bit, read as '0'
u = Bit is unchanged	x = Bit is unknown	-n/n = Value at POR and BOR/Value at all other Resets
'1' = Bit is set	'0' = Bit is cleared	

- bit 7-1 **MSK<7:1>**: Mask bits
 1 = The received address bit n is compared to SSP1ADD<n> to detect I²C address match
 0 = The received address bit n is not used to detect I²C address match
- bit 0 **MSK<0>**: Mask bit for I²C Slave mode, 10-bit Address
 I²C Slave mode, 10-bit address (SSPM<3:0> = 0111 or 1111):
 1 = The received address bit 0 is compared to SSP1ADD<0> to detect I²C address match
 0 = The received address bit 0 is not used to detect I²C address match
 I²C Slave mode, 7-bit address, the bit is ignored

REGISTER 32-6: SSP1ADD: MSSP ADDRESS AND BAUD RATE REGISTER (I²C MODE)

R/W-0/0	R/W-0/0	R/W-0/0	R/W-0/0	R/W-0/0	R/W-0/0	R/W-0/0	R/W-0/0
ADD<7:0>							
bit 7							bit 0

Legend:

R = Readable bit	W = Writable bit	U = Unimplemented bit, read as '0'
u = Bit is unchanged	x = Bit is unknown	-n/n = Value at POR and BOR/Value at all other Resets
'1' = Bit is set	'0' = Bit is cleared	

Master mode:

- bit 7-0 **ADD<7:0>**: Baud Rate Clock Divider bits
 SCL pin clock period = ((ADD<7:0> + 1) * 4) / Fosc

10-Bit Slave mode – Most Significant Address Byte:

- bit 7-3 **Not used**: Unused for Most Significant Address Byte. Bit state of this register is a “don't care”. Bit pattern sent by master is fixed by I²C specification and must be equal to '11110'. However, those bits are compared by hardware and are not affected by the value in this register.
- bit 2-1 **ADD<2:1>**: Two Most Significant bits of 10-bit address
- bit 0 **Not used**: Unused in this mode. Bit state is a “don't care”.

10-Bit Slave mode – Least Significant Address Byte:

- bit 7-0 **ADD<7:0>**: Eight Least Significant bits of 10-bit address

7-Bit Slave mode:

- bit 7-1 **ADD<7:1>**: 7-bit address
- bit 0 **Not used**: Unused in this mode. Bit state is a “don't care”.

33.0 ENHANCED UNIVERSAL SYNCHRONOUS ASYNCHRONOUS RECEIVER TRANSMITTER (EUSART)

The Enhanced Universal Synchronous Asynchronous Receiver Transmitter (EUSART) module is a serial I/O communications peripheral. It contains all the clock generators, shift registers and data buffers necessary to perform an input or output serial data transfer independent of device program execution. The EUSART, also known as a Serial Communications Interface (SCI), can be configured as a full-duplex asynchronous system or half-duplex synchronous system. Full-Duplex mode is useful for communications with peripheral systems, such as CRT terminals and personal computers. Half-Duplex Synchronous mode is intended for communications with peripheral devices, such as A/D or D/A integrated circuits, serial EEPROMs or other microcontrollers. These devices typically do not have internal clocks for baud rate generation and require the external clock signal provided by a master synchronous device.

The EUSART module includes the following capabilities:

- Full-duplex asynchronous transmit and receive
- Two-character input buffer
- One-character output buffer
- Programmable 8-bit or 9-bit character length
- Address detection in 9-bit mode
- Input buffer overrun error detection
- Received character framing error detection
- Half-duplex synchronous master
- Half-duplex synchronous slave
- Programmable clock polarity in synchronous modes
- Sleep operation

The EUSART module implements the following additional features, making it ideally suited for use in Local Interconnect Network (LIN) bus systems:

- Automatic detection and calibration of the baud rate
- Wake-up on Break reception
- 13-bit Break character transmit

Block diagrams of the EUSART transmitter and receiver are shown in [Figure 33-1](#) and [Figure 33-2](#).

The EUSART transmit output (TX_out) is available to the TX/CK pin and internally to the following peripherals:

- Configurable Logic Cell (CLC)
- Data signal modulator (DSM)

FIGURE 33-1: EUSART TRANSMIT BLOCK DIAGRAM



PIC16(L)F1777/8/9

FIGURE 33-2: EUSART RECEIVE BLOCK DIAGRAM



The operation of the EUSART module is controlled through three registers:

- Transmit Status and Control (TXxSTA)
- Receive Status and Control (RCxSTA)
- Baud Rate Control (BAUDxCON)

These registers are detailed in [Register 33-1](#), [Register 33-2](#) and [Register 33-3](#), respectively.

The RX and CK input pins are selected with the RXPPS and CKPPS registers, respectively. TX, CK, and DT output pins are selected with each pin's RxyPPS register. Since the RX input is coupled with the DT output in Synchronous mode, it is the user's responsibility to select the same pin for both of these functions when operating in Synchronous mode. The EUSART control logic will control the data direction drivers automatically.

33.1 EUSART Asynchronous Mode

The EUSART transmits and receives data using the standard non-return-to-zero (NRZ) format. NRZ is implemented with two levels: a V_{OH} Mark state which represents a '1' data bit, and a V_{OL} Space state which represents a '0' data bit. NRZ refers to the fact that consecutively transmitted data bits of the same value stay at the output level of that bit without returning to a neutral level between each bit transmission. An NRZ transmission port idles in the Mark state. Each character transmission consists of one Start bit followed by eight or nine data bits and is always terminated by one or more Stop bits. The Start bit is always a space and the Stop bits are always marks. The most common data format is eight bits. Each transmitted bit persists for a period of 1/(baud rate). An on-chip dedicated 8-bit/16-bit Baud Rate Generator is used to derive standard baud rate frequencies from the system oscillator. See [Table 33-5](#) for examples of baud rate configurations.

The EUSART transmits and receives the LSb first. The EUSART's transmitter and receiver are functionally independent, but share the same data format and baud rate. Parity is not supported by the hardware, but can be implemented in software and stored as the ninth data bit.

33.1.1 EUSART ASYNCHRONOUS TRANSMITTER

The EUSART transmitter block diagram is shown in [Figure 33-1](#). The heart of the transmitter is the serial Transmit Shift Register (TSR), which is not directly accessible by software. The TSR obtains its data from the transmit buffer, which is the TXxREG register.

33.1.1.1 Enabling the Transmitter

The EUSART transmitter is enabled for asynchronous operations by configuring the following three control bits:

- TXEN = 1
- SYNC = 0
- SPEN = 1

All other EUSART control bits are assumed to be in their default state.

Setting the TXEN bit of the TXxSTA register enables the transmitter circuitry of the EUSART. Clearing the SYNC bit of the TXxSTA register configures the EUSART for asynchronous operation. Setting the SPEN bit of the RCxSTA register enables the EUSART and automatically configures the TX/CK I/O pin as an output. If the TX/CK pin is shared with an analog peripheral, the analog I/O function must be disabled by clearing the corresponding ANSEL bit.

Note: The TXIF Transmitter Interrupt flag is set when the TXEN enable bit is set.

33.1.1.2 Transmitting Data

A transmission is initiated by writing a character to the TXxREG register. If this is the first character, or the previous character has been completely flushed from the TSR, the data in the TXxREG is immediately transferred to the TSR register. If the TSR still contains all or part of a previous character, the new character data is held in the TXxREG until the Stop bit of the previous character has been transmitted. The pending character in the TXxREG is then transferred to the TSR in one T_{cy} immediately following the Stop bit transmission. The transmission of the Start bit, data bits and Stop bit sequence commences immediately following the transfer of the data to the TSR from the TXxREG.

33.1.1.3 Transmit Data Polarity

The polarity of the transmit data can be controlled with the SCKP bit of the BAUDxCON register. The default state of this bit is '0', which selects high true transmit idle and data bits. Setting the SCKP bit to '1' will invert the transmit data resulting in low true idle and data bits. The SCKP bit controls transmit data polarity in Asynchronous mode only. In Synchronous mode, the SCKP bit has a different function. See [Section 33.5.1.2 "Clock Polarity"](#).

33.1.1.4 Transmit Interrupt Flag

The TXIF interrupt flag bit of the PIR1 register is set whenever the EUSART transmitter is enabled and no character is being held for transmission in the TXxREG. In other words, the TXIF bit is only clear when the TSR is busy with a character and a new character has been queued for transmission in the TXxREG. The TXIF flag bit is not cleared immediately upon writing TXxREG. TXIF becomes valid in the second instruction cycle following the write execution. Polling TXIF immediately following the TXxREG write will return invalid results. The TXIF bit is read-only, it cannot be set or cleared by software.

The TXIF interrupt can be enabled by setting the TXIE interrupt enable bit of the PIE1 register. However, the TXIF flag bit will be set whenever the TXxREG is empty, regardless of the state of the TXIE enable bit.

To use interrupts when transmitting data, set the TXIE bit only when there is more data to send. Clear the TXIE interrupt enable bit upon writing the last character of the transmission to the TXxREG.

PIC16(L)F1777/8/9

33.1.1.5 TSR Status

The TRMT bit of the TXxSTA register indicates the status of the TSR register. This is a read-only bit. The TRMT bit is set when the TSR register is empty and is cleared when a character is transferred to the TSR register from the TXxREG. The TRMT bit remains clear until all bits have been shifted out of the TSR register. No interrupt logic is tied to this bit, so the user has to poll this bit to determine the TSR status.

Note: The TSR register is not mapped in data memory, so it is not available to the user.

33.1.1.6 Transmitting 9-Bit Characters

The EUSART supports 9-bit character transmissions. When the TX9 bit of the TXxSTA register is set, the EUSART will shift nine bits out for each character transmitted. The TX9D bit of the TXxSTA register is the ninth, and Most Significant data bit. When transmitting 9-bit data, the TX9D data bit must be written before writing the eight Least Significant bits into the TXxREG. All nine bits of data will be transferred to the TSR shift register immediately after the TXxREG is written.

A special 9-bit Address mode is available for use with multiple receivers. See [Section 33.1.2.7 “Address Detection”](#) for more information on the Address mode.

33.1.1.7 Asynchronous Transmission Set-up:

1. Initialize the SPxBRGH:SPxBRGL register pair and the BRGH and BRG16 bits to achieve the desired baud rate (see [Section 33.4 “EUSART Baud Rate Generator \(BRG\)”](#)).
2. Enable the asynchronous serial port by clearing the SYNC bit and setting the SPEN bit.
3. If 9-bit transmission is desired, set the TX9 control bit. A set ninth data bit will indicate that the eight Least Significant data bits are an address when the receiver is set for address detection.
4. Set the SCKP bit if inverted transmit is desired.
5. Enable the transmission by setting the TXEN control bit. This will cause the TXIF interrupt bit to be set.
6. If interrupts are desired, set the TXIE interrupt enable bit of the PIE1 register. An interrupt will occur immediately provided that the GIE and PEIE bits of the INTCON register are also set.
7. If 9-bit transmission is selected, the ninth bit should be loaded into the TX9D data bit.
8. Load 8-bit data into the TXxREG register. This will start the transmission.

FIGURE 33-3: ASYNCHRONOUS TRANSMISSION



FIGURE 33-4: ASYNCHRONOUS TRANSMISSION (BACK-TO-BACK)



TABLE 33-1: SUMMARY OF REGISTERS ASSOCIATED WITH ASYNCHRONOUS TRANSMISSION

Name	Bit 7	Bit 6	Bit 5	Bit 4	Bit 3	Bit 2	Bit 1	Bit 0	Register on Page
ANSELA	—	—	ANSA5	ANSA4	ANSA3	ANSA2	ANSA1	ANSA0	177
ANSELB	—	—	ANSB5	ANSB4	ANSB3	ANSB2	ANSB1	ANSB0	182
ANSELC	ANSC7	ANSC6	ANSC5	ANSC4	ANSC3	ANSC2	—	—	187
BAUD1CON	ABDOVF	RCIDL	—	SCKP	BRG16	—	WUE	ABDEN	505
INTCON	GIE	PEIE	TMR0IE	INTE	IOCIE	TMR0IF	INTF	IOCIF	132
PIE1	TMR1GIE	ADIE	RCIE	TXIE	SSP1IE	CCP1IE	TMR2IE	TMR1IE	133
PIR1	TMR1GIF	ADIF	RCIF	TXIF	SSP1IF	CCP1IF	TMR2IF	TMR1IF	139
RC1STA	SPEN	RX9	SREN	CREN	ADDEN	FERR	OERR	RX9D	504
RxyPPS	—	—	RxyPPS<5:0>						205, 207
SP1BRGL	SP1BRG<7:0>								506*
SP1BRGH	SP1BRG<15:8>								506*
TRISA	TRISA7	TRISA6	TRISA5	TRISA4	TRISA3	TRISA2	TRISA1	TRISA0	176
TRISB	TRISB7	TRISB6	TRISB5	TRISB4	TRISB3	TRISB2	TRISB1	TRISB0	181
TRISC	TRISC7	TRISC6	TRISC5	TRISC4	TRISC3	TRISC2	TRISC1	TRISC0	186
TX1REG	EUSART Transmit Data Register								495*
TX1STA	CSRC	TX9	TXEN	SYNC	SENDB	BRGH	TRMT	TX9D	503

Legend: — = unimplemented location, read as '0'. Shaded cells are not used for asynchronous transmission.

* Page provides register information.

PIC16(L)F1777/8/9

33.1.2 EUSART ASYNCHRONOUS RECEIVER

The Asynchronous mode is typically used in RS-232 systems. The receiver block diagram is shown in [Figure 33-2](#). The data is received on the RX/DT pin and drives the data recovery block. The data recovery block is actually a high-speed shifter operating at 16 times the baud rate, whereas the serial Receive Shift Register (RSR) operates at the bit rate. When all eight or nine bits of the character have been shifted in, they are immediately transferred to a two character First-In-First-Out (FIFO) memory. The FIFO buffering allows reception of two complete characters and the start of a third character before software must start servicing the EUSART receiver. The FIFO and RSR registers are not directly accessible by software. Access to the received data is via the RCxREG register.

33.1.2.1 Enabling the Receiver

The EUSART receiver is enabled for asynchronous operation by configuring the following three control bits:

- CREN = 1
- SYNC = 0
- SPEN = 1

All other EUSART control bits are assumed to be in their default state.

Setting the CREN bit of the RCxSTA register enables the receiver circuitry of the EUSART. Clearing the SYNC bit of the TXxSTA register configures the EUSART for asynchronous operation. Setting the SPEN bit of the RCxSTA register enables the EUSART. The programmer must set the corresponding TRIS bit to configure the RX/DT I/O pin as an input.

Note: If the RX/DT function is on an analog pin, the corresponding ANSEL bit must be cleared for the receiver to function.

33.1.2.2 Receiving Data

The receiver data recovery circuit initiates character reception on the falling edge of the first bit. The first bit, also known as the Start bit, is always a zero. The data recovery circuit counts one-half bit time to the center of the Start bit and verifies that the bit is still a zero. If it is not a zero then the data recovery circuit aborts character reception, without generating an error, and resumes looking for the falling edge of the Start bit. If the Start bit zero verification succeeds then the data recovery circuit counts a full bit time to the center of the next bit. The bit is then sampled by a majority detect circuit and the resulting '0' or '1' is shifted into the RSR. This repeats until all data bits have been sampled and shifted into the RSR. One final bit time is measured and the level sampled. This is the Stop bit, which is always a '1'. If the data recovery circuit samples a '0' in the Stop bit position then a framing error is set for this character, otherwise the framing error is cleared for this character. See [Section 33.1.2.4 "Receive Framing Error"](#) for more information on framing errors.

Immediately after all data bits and the Stop bit have been received, the character in the RSR is transferred to the EUSART receive FIFO and the RCIF interrupt flag bit of the PIR1 register is set. The top character in the FIFO is transferred out of the FIFO by reading the RCxREG register.

Note: If the receive FIFO is overrun, no additional characters will be received until the overrun condition is cleared. See [Section 33.1.2.5 "Receive Overrun Error"](#) for more information on overrun errors.

33.1.2.3 Receive Interrupts

The RCIF interrupt flag bit of the PIR1 register is set whenever the EUSART receiver is enabled and there is an unread character in the receive FIFO. The RCIF interrupt flag bit is read-only, it cannot be set or cleared by software.

RCIF interrupts are enabled by setting all of the following bits:

- RCIE, Interrupt Enable bit of the PIE1 register
- PEIE, Peripheral Interrupt Enable bit of the INTCON register
- GIE, Global Interrupt Enable bit of the INTCON register

The RCIF interrupt flag bit will be set when there is an unread character in the FIFO, regardless of the state of interrupt enable bits.

33.1.2.4 Receive Framing Error

Each character in the receive FIFO buffer has a corresponding framing error Status bit. A framing error indicates that a Stop bit was not seen at the expected time. The framing error status is accessed via the FERR bit of the RCxSTA register. The FERR bit represents the status of the top unread character in the receive FIFO. Therefore, the FERR bit must be read before reading the RCxREG.

The FERR bit is read-only and only applies to the top unread character in the receive FIFO. A framing error (FERR = 1) does not preclude reception of additional characters. It is not necessary to clear the FERR bit. Reading the next character from the FIFO buffer will advance the FIFO to the next character and the next corresponding framing error.

The FERR bit can be forced clear by clearing the SPEN bit of the RCxSTA register which resets the EUSART. Clearing the CREN bit of the RCxSTA register does not affect the FERR bit. A framing error by itself does not generate an interrupt.

Note: If all receive characters in the receive FIFO have framing errors, repeated reads of the RCxREG will not clear the FERR bit.

33.1.2.5 Receive Overrun Error

The receive FIFO buffer can hold two characters. An overrun error will be generated if a third character, in its entirety, is received before the FIFO is accessed. When this happens the OERR bit of the RCxSTA register is set. The characters already in the FIFO buffer can be read but no additional characters will be received until the error is cleared. The error must be cleared by either clearing the CREN bit of the RCxSTA register or by resetting the EUSART by clearing the SPEN bit of the RCxSTA register.

33.1.2.6 Receiving 9-Bit Characters

The EUSART supports 9-bit character reception. When the RX9 bit of the RCxSTA register is set the EUSART will shift nine bits into the RSR for each character received. The RX9D bit of the RCxSTA register is the ninth and Most Significant data bit of the top unread character in the receive FIFO. When reading 9-bit data from the receive FIFO buffer, the RX9D data bit must be read before reading the eight Least Significant bits from the RCxREG.

33.1.2.7 Address Detection

A special Address Detection mode is available for use when multiple receivers share the same transmission line, such as in RS-485 systems. Address detection is enabled by setting the ADDEN bit of the RCxSTA register.

Address detection requires 9-bit character reception. When address detection is enabled, only characters with the ninth data bit set will be transferred to the receive FIFO buffer, thereby setting the RCIF interrupt bit. All other characters will be ignored.

Upon receiving an address character, user software determines if the address matches its own. Upon address match, user software must disable address detection by clearing the ADDEN bit before the next Stop bit occurs. When user software detects the end of the message, determined by the message protocol used, software places the receiver back into the Address Detection mode by setting the ADDEN bit.

PIC16(L)F1777/8/9

33.1.2.8 Asynchronous Reception Set-up

1. Initialize the SPxBRGH:SPxBRGL register pair and the BRGH and BRG16 bits to achieve the desired baud rate (see [Section 33.4 “EUSART Baud Rate Generator \(BRG\)”](#)).
2. Clear the ANSEL bit for the RX pin (if applicable).
3. Enable the serial port by setting the SPEN bit. The SYNC bit must be clear for asynchronous operation.
4. If interrupts are desired, set the RCIE bit of the PIE1 register and the GIE and PEIE bits of the INTCON register.
5. If 9-bit reception is desired, set the RX9 bit.
6. Enable reception by setting the CREN bit.
7. The RCIF interrupt flag bit will be set when a character is transferred from the RSR to the receive buffer. An interrupt will be generated if the RCIE interrupt enable bit was also set.
8. Read the RCxSTA register to get the error flags and, if 9-bit data reception is enabled, the ninth data bit.
9. Get the received eight Least Significant data bits from the receive buffer by reading the RCxREG register.
10. If an overrun occurred, clear the OERR flag by clearing the CREN receiver enable bit.

33.1.2.9 9-bit Address Detection Mode Set-up

This mode would typically be used in RS-485 systems. To set up an Asynchronous Reception with Address Detect Enable:

1. Initialize the SPxBRGH:SPxBRGL register pair and the BRGH and BRG16 bits to achieve the desired baud rate (see [Section 33.4 “EUSART Baud Rate Generator \(BRG\)”](#)).
2. Clear the ANSEL bit for the RX pin (if applicable).
3. Enable the serial port by setting the SPEN bit. The SYNC bit must be clear for asynchronous operation.
4. If interrupts are desired, set the RCIE bit of the PIE1 register and the GIE and PEIE bits of the INTCON register.
5. Enable 9-bit reception by setting the RX9 bit.
6. Enable address detection by setting the ADDEN bit.
7. Enable reception by setting the CREN bit.
8. The RCIF interrupt flag bit will be set when a character with the ninth bit set is transferred from the RSR to the receive buffer. An interrupt will be generated if the RCIE interrupt enable bit was also set.
9. Read the RCxSTA register to get the error flags. The ninth data bit will always be set.
10. Get the received eight Least Significant data bits from the receive buffer by reading the RCxREG register. Software determines if this is the device's address.
11. If an overrun occurred, clear the OERR flag by clearing the CREN receiver enable bit.
12. If the device has been addressed, clear the ADDEN bit to allow all received data into the receive buffer and generate interrupts.

FIGURE 33-5: ASYNCHRONOUS RECEPTION

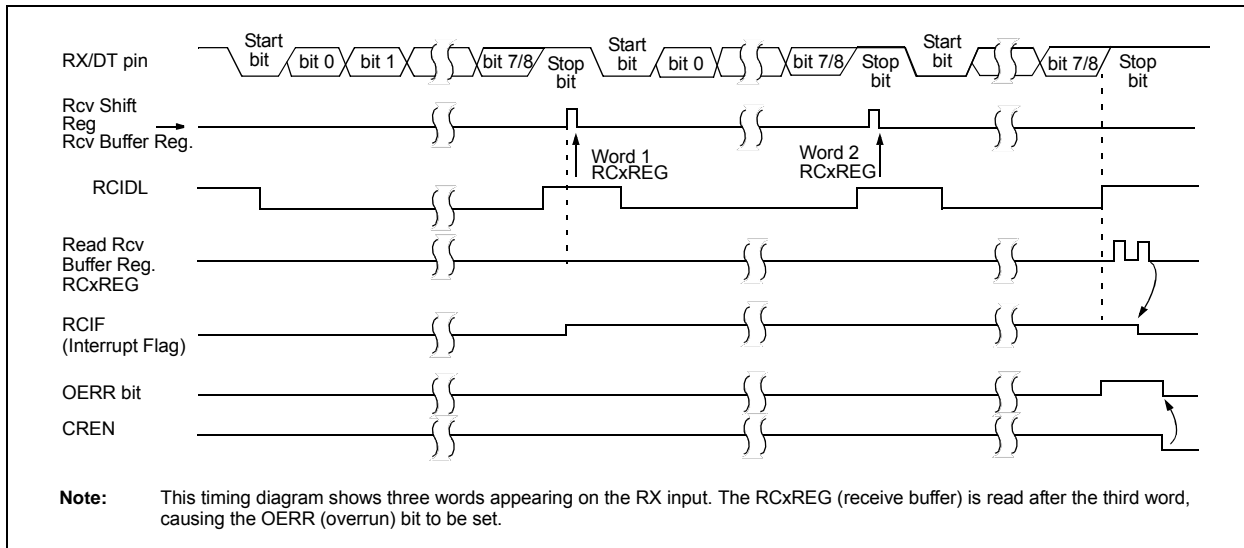


TABLE 33-2: SUMMARY OF REGISTERS ASSOCIATED WITH ASYNCHRONOUS RECEPTION

Name	Bit 7	Bit 6	Bit 5	Bit 4	Bit 3	Bit 2	Bit 1	Bit 0	Register on Page
ANSELA	—	—	ANSA5	ANSA4	ANSA3	ANSA2	ANSA1	ANSA0	177
ANSELB	—	—	ANSB5	ANSB4	ANSB3	ANSB2	ANSB1	ANSB0	182
ANSELC	ANSC7	ANSC6	ANSC5	ANSC4	ANSC3	ANSC2	—	—	187
BAUD1CON	ABDOVF	RCIDL	—	SCKP	BRG16	—	WUE	ABDEN	505
INTCON	GIE	PEIE	TMR0IE	INTE	IOCIE	TMR0IF	INTF	IOCIF	132
PIE1	TMR1GIE	ADIE	RCIE	TXIE	SSP1IE	CCP1IE	TMR2IE	TMR1IE	133
PIR1	TMR1GIF	ADIF	RCIF	TXIF	SSP1IF	CCP1IF	TMR2IF	TMR1IF	139
RC1REG	EUSART Receive Data Register								498*
RC1STA	SPEN	RX9	SREN	CREN	ADDEN	FERR	OERR	RX9D	504
RxyPPS	—	—	RxyPPS<5:0>						205
SP1BRGL	SP1BRG<7:0>								506
SP1BRGH	SP1BRG<15:8>								506
TRISA	TRISA7	TRISA6	TRISA5	TRISA4	TRISA3	TRISA2	TRISA1	TRISA0	176
TRISB	TRISB7	TRISB6	TRISB5	TRISB4	TRISB3	TRISB2	TRISB1	TRISB0	181
TRISC	TRISC7	TRISC6	TRISC5	TRISC4	TRISC3	TRISC2	TRISC1	TRISC0	186
TX1STA	CSRC	TX9	TXEN	SYNC	SENDER	BRGH	TRMT	TX9D	503

Legend: — = unimplemented location, read as '0'. Shaded cells are not used for asynchronous reception.

* Page provides register information.

33.2 Clock Accuracy with Asynchronous Operation

The factory calibrates the internal oscillator block output (INTOSC). However, the INTOSC frequency may drift as V_{DD} or temperature changes, and this directly affects the asynchronous baud rate. Two methods may be used to adjust the baud rate clock, but both require a reference clock source of some kind.

The first (preferred) method uses the OSCTUNE register to adjust the INTOSC output. Adjusting the value in the OSCTUNE register allows for fine resolution changes to the system clock source. See [Section 5.2.2.3 “Internal Oscillator Frequency Adjustment”](#) for more information.

The other method adjusts the value in the Baud Rate Generator. This can be done automatically with the Auto-Baud Detect feature (see [Section 33.4.1 “Auto-Baud Detect”](#)). There may not be fine enough resolution when adjusting the Baud Rate Generator to compensate for a gradual change in the peripheral clock frequency.

33.3 Register Definitions: EUSART Control

REGISTER 33-1: TX1STA: TRANSMIT STATUS AND CONTROL REGISTER

R/W-/0	R/W-0/0	R/W-0/0	R/W-0/0	R/W-0/0	R/W-0/0	R-1/1	R/W-0/0
CSRC	TX9	TXEN ⁽¹⁾	SYNC	SENDB	BRGH	TRMT	TX9D
bit 7						bit 0	

Legend:

R = Readable bit	W = Writable bit	U = Unimplemented bit, read as '0'
u = Bit is unchanged	x = Bit is unknown	-n/n = Value at POR and BOR/Value at all other Resets
'1' = Bit is set	'0' = Bit is cleared	

bit 7	<p>CSRC: Clock Source Select bit</p> <p><u>Asynchronous mode:</u> Don't care</p> <p><u>Synchronous mode:</u> 1 = Master mode (clock generated internally from BRG) 0 = Slave mode (clock from external source)</p>
bit 6	<p>TX9: 9-bit Transmit Enable bit</p> <p>1 = Selects 9-bit transmission 0 = Selects 8-bit transmission</p>
bit 5	<p>TXEN: Transmit Enable bit⁽¹⁾</p> <p>1 = Transmit enabled 0 = Transmit disabled</p>
bit 4	<p>SYNC: EUSART Mode Select bit</p> <p>1 = Synchronous mode 0 = Asynchronous mode</p>
bit 3	<p>SENDB: Send Break Character bit</p> <p><u>Asynchronous mode:</u> 1 = Send Sync Break on next transmission (cleared by hardware upon completion) 0 = Sync Break transmission completed</p> <p><u>Synchronous mode:</u> Don't care</p>
bit 2	<p>BRGH: High Baud Rate Select bit</p> <p><u>Asynchronous mode:</u> 1 = High speed 0 = Low speed</p> <p><u>Synchronous mode:</u> Unused in this mode</p>
bit 1	<p>TRMT: Transmit Shift Register Status bit</p> <p>1 = TSR empty 0 = TSR full</p>
bit 0	<p>TX9D: Ninth bit of Transmit Data</p> <p>Can be address/data bit or a parity bit.</p>

Note 1: SREN/CREN overrides TXEN in Sync mode.

PIC16(L)F1777/8/9

REGISTER 33-2: RC1STA: RECEIVE STATUS AND CONTROL REGISTER

R/W-0/0	R/W-0/0	R/W-0/0	R/W-0/0	R/W-0/0	R-0/0	R-0/0	R-0/0
SPEN	RX9	SREN	CREN	ADDEN	FERR	OERR	RX9D
bit 7							bit 0

Legend:

R = Readable bit	W = Writable bit	U = Unimplemented bit, read as '0'
u = Bit is unchanged	x = Bit is unknown	-n/n = Value at POR and BOR/Value at all other Resets
'1' = Bit is set	'0' = Bit is cleared	

- bit 7 **SPEN:** Serial Port Enable bit
1 = Serial port enabled
0 = Serial port disabled (held in Reset)
- bit 6 **RX9:** 9-Bit Receive Enable bit
1 = Selects 9-bit reception
0 = Selects 8-bit reception
- bit 5 **SREN:** Single Receive Enable bit
Asynchronous mode:
Don't care
Synchronous mode – Master:
1 = Enables single receive
0 = Disables single receive
This bit is cleared after reception is complete.
Synchronous mode – Slave
Don't care
- bit 4 **CREN:** Continuous Receive Enable bit
Asynchronous mode:
1 = Enables receiver
0 = Disables receiver
Synchronous mode:
1 = Enables continuous receive until enable bit CREN is cleared (CREN overrides SREN)
0 = Disables continuous receive
- bit 3 **ADDEN:** Address Detect Enable bit
Asynchronous mode 9-bit (RX9 = 1):
1 = Enables address detection, enable interrupt and load the receive buffer when RSR<8> is set
0 = Disables address detection, all bytes are received and ninth bit can be used as parity bit
Asynchronous mode 8-bit (RX9 = 0):
Don't care
- bit 2 **FERR:** Framing Error bit
1 = Framing error (can be updated by reading RCxREG register and receive next valid byte)
0 = No framing error
- bit 1 **OERR:** Overrun Error bit
1 = Overrun error (can be cleared by clearing bit CREN)
0 = No overrun error
- bit 0 **RX9D:** Ninth bit of Received Data
This can be address/data bit or a parity bit and must be calculated by user firmware.

REGISTER 33-3: BAUD1CON: BAUD RATE CONTROL REGISTER

R-0/0	R-1/1	U-0	R/W-0/0	R/W-0/0	U-0	R/W-0/0	R/W-0/0
ABDOVF	RCIDL	—	SCKP	BRG16	—	WUE	ABDEN
bit 7							bit 0

Legend:

R = Readable bit	W = Writable bit	U = Unimplemented bit, read as '0'
u = Bit is unchanged	x = Bit is unknown	-n/n = Value at POR and BOR/Value at all other Resets
'1' = Bit is set	'0' = Bit is cleared	

- bit 7 **ABDOVF:** Auto-Baud Detect Overflow bit
Asynchronous mode:
 1 = Auto-baud timer overflowed
 0 = Auto-baud timer did not overflow
Synchronous mode:
 Don't care
- bit 6 **RCIDL:** Receive Idle Flag bit
Asynchronous mode:
 1 = Receiver is Idle
 0 = Start bit has been received and the receiver is receiving
Synchronous mode:
 Don't care
- bit 5 **Unimplemented:** Read as '0'
- bit 4 **SCKP:** Synchronous Clock Polarity Select bit
Asynchronous mode:
 1 = Transmit inverted data to the TX/CK pin
 0 = Transmit non-inverted data to the TX/CK pin
Synchronous mode:
 1 = Data is clocked on rising edge of the clock
 0 = Data is clocked on falling edge of the clock
- bit 3 **BRG16:** 16-bit Baud Rate Generator bit
 1 = 16-bit Baud Rate Generator is used
 0 = 8-bit Baud Rate Generator is used
- bit 2 **Unimplemented:** Read as '0'
- bit 1 **WUE:** Wake-up Enable bit
Asynchronous mode:
 1 = Receiver is waiting for a falling edge. No character will be received, byte RCIF will be set. WUE will automatically clear after RCIF is set.
 0 = Receiver is operating normally
Synchronous mode:
 Don't care
- bit 0 **ABDEN:** Auto-Baud Detect Enable bit
Asynchronous mode:
 1 = Auto-Baud Detect mode is enabled (clears when auto-baud is complete)
 0 = Auto-Baud Detect mode is disabled
Synchronous mode:
 Don't care

33.4 EUSART Baud Rate Generator (BRG)

The Baud Rate Generator (BRG) is an 8-bit or 16-bit timer that is dedicated to the support of both the asynchronous and synchronous EUSART operation. By default, the BRG operates in 8-bit mode. Setting the BRG16 bit of the BAUDxCON register selects 16-bit mode.

The SPxBRGH:SPxBRGL register pair determines the period of the free running baud rate timer. In Asynchronous mode the multiplier of the baud rate period is determined by both the BRGH bit of the TXxSTA register and the BRG16 bit of the BAUDxCON register. In Synchronous mode, the BRGH bit is ignored.

Table 33-3 contains the formulas for determining the baud rate. Example 33-1 provides a sample calculation for determining the baud rate and baud rate error.

Typical baud rates and error values for various Asynchronous modes have been computed for your convenience and are shown in Table 33-5. It may be advantageous to use the high baud rate (BRGH = 1), or the 16-bit BRG (BRG16 = 1) to reduce the baud rate error. The 16-bit BRG mode is used to achieve slow baud rates for fast oscillator frequencies.

Writing a new value to the SPxBRGH:SPxBRGL register pair causes the BRG timer to be reset (or cleared). This ensures that the BRG does not wait for a timer overflow before outputting the new baud rate.

If the system clock is changed during an active receive operation, a receive error or data loss may result. To avoid this problem, check the status of the RCIDL bit to make sure that the receive operation is idle before changing the system clock.

EXAMPLE 33-1: CALCULATING BAUD RATE ERROR

For a device with Fosc of 16 MHz, desired baud rate of 9600, Asynchronous mode, 8-bit BRG:

$$\text{Desired Baud Rate} = \frac{F_{osc}}{64(SPBRGH:SPBRGL + 1)}$$

Solving for SPxBRGH:SPxBRGL:

$$X = \frac{F_{osc}}{\text{Desired Baud Rate} \cdot 64} - 1$$

$$= \frac{16000000}{9600 \cdot 64} - 1$$

$$= [25.042] = 25$$

$$\text{Calculated Baud Rate} = \frac{16000000}{64(25 + 1)}$$

$$= 9615$$

$$\text{Error} = \frac{\text{Calc. Baud Rate} - \text{Desired Baud Rate}}{\text{Desired Baud Rate}}$$

$$= \frac{(9615 - 9600)}{9600} = 0.16\%$$

TABLE 33-3: BAUD RATE FORMULAS

Configuration Bits			BRG/EUSART Mode	Baud Rate Formula
SYNC	BRG16	BRGH		
0	0	0	8-bit/Asynchronous	$F_{osc}/[64 (n+1)]$
0	0	1	8-bit/Asynchronous	$F_{osc}/[16 (n+1)]$
0	1	0	16-bit/Asynchronous	
0	1	1	16-bit/Asynchronous	$F_{osc}/[4 (n+1)]$
1	0	x	8-bit/Synchronous	
1	1	x	16-bit/Synchronous	

Legend: x = Don't care, n = value of SPxBRGH:SPxBRGL register pair.

TABLE 33-4: SUMMARY OF REGISTERS ASSOCIATED WITH THE BAUD RATE GENERATOR

Name	Bit 7	Bit 6	Bit 5	Bit 4	Bit 3	Bit 2	Bit 1	Bit 0	Register on Page
BAUD1CON	ABDOVF	RCIDL	—	SCKP	BRG16	—	WUE	ABDEN	505
RC1STA	SPEN	RX9	SREN	CREN	ADDEN	FERR	OERR	RX9D	504
SP1BRGL	SP1BRG<7:0>								506
SP1BRGH	SP1BRG<15:8>								506
TX1STA	CSRC	TX9	TXEN	SYNC	SENDB	BRGH	TRMT	TX9D	503

Legend: — = unimplemented location, read as '0'. Shaded cells are not used for the Baud Rate Generator.

* Page provides register information.

PIC16(L)F1777/8/9

TABLE 33-5: BAUD RATES FOR ASYNCHRONOUS MODES

BAUD RATE	SYNC = 0, BRGH = 0, BRG16 = 0											
	Fosc = 32.000 MHz			Fosc = 20.000 MHz			Fosc = 18.432 MHz			Fosc = 11.0592 MHz		
	Actual Rate	% Error	SPxBRG value (decimal)	Actual Rate	% Error	SPxBRG value (decimal)	Actual Rate	% Error	SPxBRG value (decimal)	Actual Rate	% Error	SPxBRG value (decimal)
300	—	—	—	—	—	—	—	—	—	—	—	—
1200	—	—	—	1221	1.73	255	1200	0.00	239	1200	0.00	143
2400	2404	0.16	207	2404	0.16	129	2400	0.00	119	2400	0.00	71
9600	9615	0.16	51	9470	-1.36	32	9600	0.00	29	9600	0.00	17
10417	10417	0.00	47	10417	0.00	29	10286	-1.26	27	10165	-2.42	16
19.2k	19.23k	0.16	25	19.53k	1.73	15	19.20k	0.00	14	19.20k	0.00	8
57.6k	55.55k	-3.55	3	—	—	—	57.60k	0.00	7	57.60k	0.00	2
115.2k	—	—	—	—	—	—	—	—	—	—	—	—

BAUD RATE	SYNC = 0, BRGH = 0, BRG16 = 0											
	Fosc = 8.000 MHz			Fosc = 4.000 MHz			Fosc = 3.6864 MHz			Fosc = 1.000 MHz		
	Actual Rate	% Error	SPxBRG value (decimal)	Actual Rate	% Error	SPxBRG value (decimal)	Actual Rate	% Error	SPxBRG value (decimal)	Actual Rate	% Error	SPxBRG value (decimal)
300	—	—	—	300	0.16	207	300	0.00	191	300	0.16	51
1200	1202	0.16	103	1202	0.16	51	1200	0.00	47	1202	0.16	12
2400	2404	0.16	51	2404	0.16	25	2400	0.00	23	—	—	—
9600	9615	0.16	12	—	—	—	9600	0.00	5	—	—	—
10417	10417	0.00	11	10417	0.00	5	—	—	—	—	—	—
19.2k	—	—	—	—	—	—	19.20k	0.00	2	—	—	—
57.6k	—	—	—	—	—	—	57.60k	0.00	0	—	—	—
115.2k	—	—	—	—	—	—	—	—	—	—	—	—

BAUD RATE	SYNC = 0, BRGH = 1, BRG16 = 0											
	Fosc = 32.000 MHz			Fosc = 20.000 MHz			Fosc = 18.432 MHz			Fosc = 11.0592 MHz		
	Actual Rate	% Error	SPxBRG value (decimal)	Actual Rate	% Error	SPxBRG value (decimal)	Actual Rate	% Error	SPxBRG value (decimal)	Actual Rate	% Error	SPxBRG value (decimal)
300	—	—	—	—	—	—	—	—	—	—	—	—
1200	—	—	—	—	—	—	—	—	—	—	—	—
2400	—	—	—	—	—	—	—	—	—	—	—	—
9600	9615	0.16	207	9615	0.16	129	9600	0.00	119	9600	0.00	71
10417	10417	0.00	191	10417	0.00	119	10378	-0.37	110	10473	0.53	65
19.2k	19.23k	0.16	103	19.23k	0.16	64	19.20k	0.00	59	19.20k	0.00	35
57.6k	57.14k	-0.79	34	56.82k	-1.36	21	57.60k	0.00	19	57.60k	0.00	11
115.2k	117.64k	2.12	16	113.64k	-1.36	10	115.2k	0.00	9	115.2k	0.00	5

TABLE 33-5: BAUD RATES FOR ASYNCHRONOUS MODES (CONTINUED)

BAUD RATE	SYNC = 0, BRGH = 1, BRG16 = 0											
	Fosc = 8.000 MHz			Fosc = 4.000 MHz			Fosc = 3.6864 MHz			Fosc = 1.000 MHz		
	Actual Rate	% Error	SPxBRG value (decimal)	Actual Rate	% Error	SPxBRG value (decimal)	Actual Rate	% Error	SPxBRG value (decimal)	Actual Rate	% Error	SPxBRG value (decimal)
300	—	—	—	—	—	—	—	—	—	300	0.16	207
1200	—	—	—	1202	0.16	207	1200	0.00	191	1202	0.16	51
2400	2404	0.16	207	2404	0.16	103	2400	0.00	95	2404	0.16	25
9600	9615	0.16	51	9615	0.16	25	9600	0.00	23	—	—	—
10417	10417	0.00	47	10417	0.00	23	10473	0.53	21	10417	0.00	5
19.2k	19231	0.16	25	19.23k	0.16	12	19.2k	0.00	11	—	—	—
57.6k	55556	-3.55	8	—	—	—	57.60k	0.00	3	—	—	—
115.2k	—	—	—	—	—	—	115.2k	0.00	1	—	—	—

BAUD RATE	SYNC = 0, BRGH = 0, BRG16 = 1											
	Fosc = 32.000 MHz			Fosc = 20.000 MHz			Fosc = 18.432 MHz			Fosc = 11.0592 MHz		
	Actual Rate	% Error	SPxBRG value (decimal)	Actual Rate	% Error	SPxBRG value (decimal)	Actual Rate	% Error	SPxBRG value (decimal)	Actual Rate	% Error	SPxBRG value (decimal)
300	300.0	0.00	6666	300.0	-0.01	4166	300.0	0.00	3839	300.0	0.00	2303
1200	1200	-0.02	3332	1200	-0.03	1041	1200	0.00	959	1200	0.00	575
2400	2401	-0.04	832	2399	-0.03	520	2400	0.00	479	2400	0.00	287
9600	9615	0.16	207	9615	0.16	129	9600	0.00	119	9600	0.00	71
10417	10417	0.00	191	10417	0.00	119	10378	-0.37	110	10473	0.53	65
19.2k	19.23k	0.16	103	19.23k	0.16	64	19.20k	0.00	59	19.20k	0.00	35
57.6k	57.14k	-0.79	34	56.818	-1.36	21	57.60k	0.00	19	57.60k	0.00	11
115.2k	117.6k	2.12	16	113.636	-1.36	10	115.2k	0.00	9	115.2k	0.00	5

BAUD RATE	SYNC = 0, BRGH = 0, BRG16 = 1											
	Fosc = 8.000 MHz			Fosc = 4.000 MHz			Fosc = 3.6864 MHz			Fosc = 1.000 MHz		
	Actual Rate	% Error	SPxBRG value (decimal)	Actual Rate	% Error	SPxBRG value (decimal)	Actual Rate	% Error	SPxBRG value (decimal)	Actual Rate	% Error	SPxBRG value (decimal)
300	299.9	-0.02	1666	300.1	0.04	832	300.0	0.00	767	300.5	0.16	207
1200	1199	-0.08	416	1202	0.16	207	1200	0.00	191	1202	0.16	51
2400	2404	0.16	207	2404	0.16	103	2400	0.00	95	2404	0.16	25
9600	9615	0.16	51	9615	0.16	25	9600	0.00	23	—	—	—
10417	10417	0.00	47	10417	0.00	23	10473	0.53	21	10417	0.00	5
19.2k	19.23k	0.16	25	19.23k	0.16	12	19.20k	0.00	11	—	—	—
57.6k	55556	-3.55	8	—	—	—	57.60k	0.00	3	—	—	—
115.2k	—	—	—	—	—	—	115.2k	0.00	1	—	—	—

PIC16(L)F1777/8/9

TABLE 33-5: BAUD RATES FOR ASYNCHRONOUS MODES (CONTINUED)

BAUD RATE	SYNC = 0, BRGH = 1, BRG16 = 1 or SYNC = 1, BRG16 = 1											
	Fosc = 32.000 MHz			Fosc = 20.000 MHz			Fosc = 18.432 MHz			Fosc = 11.0592 MHz		
	Actual Rate	% Error	SPxBRG value (decimal)	Actual Rate	% Error	SPxBRG value (decimal)	Actual Rate	% Error	SPxBRG value (decimal)	Actual Rate	% Error	SPxBRG value (decimal)
300	300.0	0.00	26666	300.0	0.00	16665	300.0	0.00	15359	300.0	0.00	9215
1200	1200	0.00	6666	1200	-0.01	4166	1200	0.00	3839	1200	0.00	2303
2400	2400	0.01	3332	2400	0.02	2082	2400	0.00	1919	2400	0.00	1151
9600	9604	0.04	832	9597	-0.03	520	9600	0.00	479	9600	0.00	287
10417	10417	0.00	767	10417	0.00	479	10425	0.08	441	10433	0.16	264
19.2k	19.18k	-0.08	416	19.23k	0.16	259	19.20k	0.00	239	19.20k	0.00	143
57.6k	57.55k	-0.08	138	57.47k	-0.22	86	57.60k	0.00	79	57.60k	0.00	47
115.2k	115.9k	0.64	68	116.3k	0.94	42	115.2k	0.00	39	115.2k	0.00	23

BAUD RATE	SYNC = 0, BRGH = 1, BRG16 = 1 or SYNC = 1, BRG16 = 1											
	Fosc = 8.000 MHz			Fosc = 4.000 MHz			Fosc = 3.6864 MHz			Fosc = 1.000 MHz		
	Actual Rate	% Error	SPxBRG value (decimal)	Actual Rate	% Error	SPxBRG value (decimal)	Actual Rate	% Error	SPxBRG value (decimal)	Actual Rate	% Error	SPxBRG value (decimal)
300	300.0	0.00	6666	300.0	0.01	3332	300.0	0.00	3071	300.1	0.04	832
1200	1200	-0.02	1666	1200	0.04	832	1200	0.00	767	1202	0.16	207
2400	2401	0.04	832	2398	0.08	416	2400	0.00	383	2404	0.16	103
9600	9615	0.16	207	9615	0.16	103	9600	0.00	95	9615	0.16	25
10417	10417	0	191	10417	0.00	95	10473	0.53	87	10417	0.00	23
19.2k	19.23k	0.16	103	19.23k	0.16	51	19.20k	0.00	47	19.23k	0.16	12
57.6k	57.14k	-0.79	34	58.82k	2.12	16	57.60k	0.00	15	—	—	—
115.2k	117.6k	2.12	16	111.1k	-3.55	8	115.2k	0.00	7	—	—	—

33.4.1 AUTO-BAUD DETECT

The EUSART module supports automatic detection and calibration of the baud rate.

In the Auto-Baud Detect (ABD) mode, the clock to the BRG is reversed. Rather than the BRG clocking the incoming RX signal, the RX signal is timing the BRG. The Baud Rate Generator is used to time the period of a received 55h (ASCII “U”) which is the Sync character for the LIN bus. The unique feature of this character is that it has five rising edges including the Stop bit edge.

Setting the ABDEN bit of the BAUDxCON register starts the auto-baud calibration sequence. While the ABD sequence takes place, the EUSART state machine is held in Idle. On the first rising edge of the receive line, after the Start bit, the SPxBRG begins counting up using the BRG counter clock as shown in Figure 33-6. The fifth rising edge will occur on the RX pin at the end of the eighth bit period. At that time, an accumulated value totaling the proper BRG period is left in the SPxBRGH:SPxBRGL register pair, the ABDEN bit is automatically cleared and the RCIF interrupt flag is set. The value in the RCxREG needs to be read to clear the RCIF interrupt. RCxREG content should be discarded. When calibrating for modes that do not use the SPxBRGH register the user can verify that the SPxBRGL register did not overflow by checking for 00h in the SPxBRGH register.

The BRG auto-baud clock is determined by the BRG16 and BRGH bits as shown in Table 33-6. During ABD, both the SPxBRGH and SPxBRGL registers are used as a 16-bit counter, independent of the BRG16 bit setting. While calibrating the baud rate period, the SPxBRGH and SPxBRGL registers are clocked at

1/8th the BRG base clock rate. The resulting byte measurement is the average bit time when clocked at full speed.

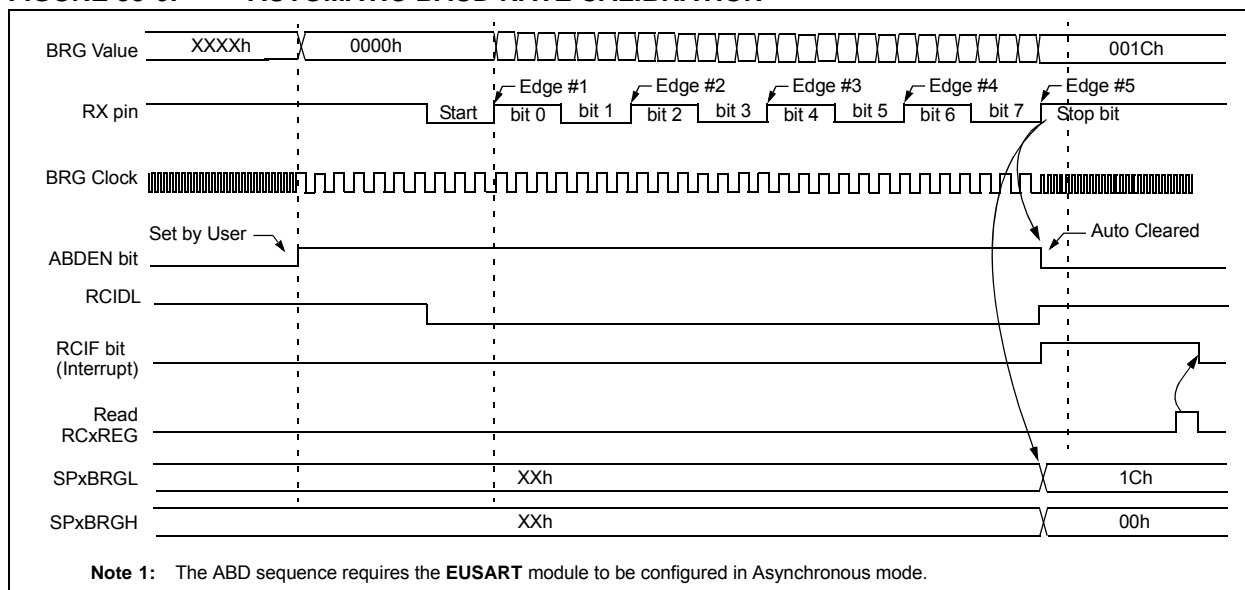
- Note 1:** If the WUE bit is set with the ABDEN bit, auto-baud detection will occur on the byte following the Break character (see Section 33.4.3 “Auto-Wake-up on Break”).
- 2:** It is up to the user to determine that the incoming character baud rate is within the range of the selected BRG clock source. Some combinations of oscillator frequency and EUSART baud rates are not possible.
- 3:** During the auto-baud process, the auto-baud counter starts counting at one. Upon completion of the auto-baud sequence, to achieve maximum accuracy, subtract 1 from the SPxBRGH:SPxBRGL register pair.

TABLE 33-6: BRG COUNTER CLOCK RATES

BRG16	BRGH	BRG Base Clock	BRG ABD Clock
0	0	Fosc/64	Fosc/512
0	1	Fosc/16	Fosc/128
1	0	Fosc/16	Fosc/128
1	1	Fosc/4	Fosc/32

Note: During the ABD sequence, SPxBRGL and SPxBRGH registers are both used as a 16-bit counter, independent of the BRG16 setting.

FIGURE 33-6: AUTOMATIC BAUD RATE CALIBRATION⁽¹⁾



PIC16(L)F1777/8/9

33.4.2 AUTO-BAUD OVERFLOW

During the course of automatic baud detection, the ABDOVF bit of the BAUDxCON register will be set if the baud rate counter overflows before the fifth rising edge is detected on the RX pin. The ABDOVF bit indicates that the counter has exceeded the maximum count that can fit in the 16 bits of the SPxBRGH:SPxBRGL register pair. The overflow condition will set the RCIF flag. The counter continues to count until the fifth rising edge is detected on the RX pin. The RCIDL bit will remain false ('0') until the fifth rising edge at which time the RCIDL bit will be set. If the RCREG is read after the overflow occurs but before the fifth rising edge then the fifth rising edge will set the RCIF again.

Terminating the auto-baud process early to clear an overflow condition will prevent proper detection of the sync character fifth rising edge. If any falling edges of the sync character have not yet occurred when the ABDEN bit is cleared then those will be falsely detected as Start bits. The following steps are recommended to clear the overflow condition:

1. Read RCREG to clear RCIF.
2. If RCIDL is zero then wait for RCIF and repeat step 1.
3. Clear the ABDOVF bit.

33.4.3 AUTO-WAKE-UP ON BREAK

During Sleep mode, all clocks to the EUSART are suspended. Because of this, the Baud Rate Generator is inactive and a proper character reception cannot be performed. The Auto-Wake-up feature allows the controller to wake-up due to activity on the RX/DT line. This feature is available only in Asynchronous mode.

The Auto-Wake-up feature is enabled by setting the WUE bit of the BAUDxCON register. Once set, the normal receive sequence on RX/DT is disabled, and the EUSART remains in an Idle state, monitoring for a wake-up event independent of the CPU mode. A wake-up event consists of a high-to-low transition on the RX/DT line. (This coincides with the start of a Sync Break or a wake-up signal character for the LIN protocol.)

The EUSART module generates an RCIF interrupt coincident with the wake-up event. The interrupt is generated synchronously to the Q clocks in normal CPU operating modes (Figure 33-7), and asynchronously if the device is in Sleep mode (Figure 33-8). The interrupt condition is cleared by reading the RCxREG register.

The WUE bit is automatically cleared by the low-to-high transition on the RX line at the end of the Break. This signals to the user that the Break event is over. At this point, the EUSART module is in Idle mode waiting to receive the next character.

33.4.3.1 Special Considerations

Break Character

To avoid character errors or character fragments during a wake-up event, the wake-up character must be all zeros.

When the wake-up is enabled the function works independent of the low time on the data stream. If the WUE bit is set and a valid non-zero character is received, the low time from the Start bit to the first rising edge will be interpreted as the wake-up event. The remaining bits in the character will be received as a fragmented character and subsequent characters can result in framing or overrun errors.

Therefore, the initial character in the transmission must be all '0's. This must be ten or more bit times, 13-bit times recommended for LIN bus, or any number of bit times for standard RS-232 devices.

Oscillator Start-up Time

Oscillator start-up time must be considered, especially in applications using oscillators with longer start-up intervals (i.e., LP, XT or HS/PLL mode). The Sync Break (or wake-up signal) character must be of sufficient length, and be followed by a sufficient interval, to allow enough time for the selected oscillator to start and provide proper initialization of the EUSART.

WUE Bit

The wake-up event causes a receive interrupt by setting the RCIF bit. The WUE bit is cleared in hardware by a rising edge on RX/DT. The interrupt condition is then cleared in software by reading the RCxREG register and discarding its contents.

To ensure that no actual data is lost, check the RCIDL bit to verify that a receive operation is not in process before setting the WUE bit. If a receive operation is not occurring, the WUE bit may then be set just prior to entering the Sleep mode.

FIGURE 33-7: AUTO-WAKE-UP BIT (WUE) TIMING DURING NORMAL OPERATION



FIGURE 33-8: AUTO-WAKE-UP BIT (WUE) TIMINGS DURING SLEEP



PIC16(L)F1777/8/9

33.4.4 BREAK CHARACTER SEQUENCE

The EUSART module has the capability of sending the special Break character sequences that are required by the LIN bus standard. A Break character consists of a Start bit, followed by 12 '0' bits and a Stop bit.

To send a Break character, set the SENDB and TXEN bits of the TXxSTA register. The Break character transmission is then initiated by a write to the TXxREG. The value of data written to TXxREG will be ignored and all '0's will be transmitted.

The SENDB bit is automatically reset by hardware after the corresponding Stop bit is sent. This allows the user to preload the transmit FIFO with the next transmit byte following the Break character (typically, the Sync character in the LIN specification).

The TRMT bit of the TXxSTA register indicates when the transmit operation is active or idle, just as it does during normal transmission. See [Figure 33-9](#) for the timing of the Break character sequence.

33.4.4.1 Break and Sync Transmit Sequence

The following sequence will start a message frame header made up of a Break, followed by an auto-baud Sync byte. This sequence is typical of a LIN bus master.

1. Configure the EUSART for the desired mode.
2. Set the TXEN and SENDB bits to enable the Break sequence.
3. Load the TXxREG with a dummy character to initiate transmission (the value is ignored).
4. Write '55h' to TXxREG to load the Sync character into the transmit FIFO buffer.
5. After the Break has been sent, the SENDB bit is reset by hardware and the Sync character is then transmitted.

When the TXxREG becomes empty, as indicated by the TXIF, the next data byte can be written to TXxREG.

33.4.5 RECEIVING A BREAK CHARACTER

The Enhanced EUSART module can receive a Break character in two ways.

The first method to detect a Break character uses the FERR bit of the RCxSTA register and the received data as indicated by RCxREG. The Baud Rate Generator is assumed to have been initialized to the expected baud rate.

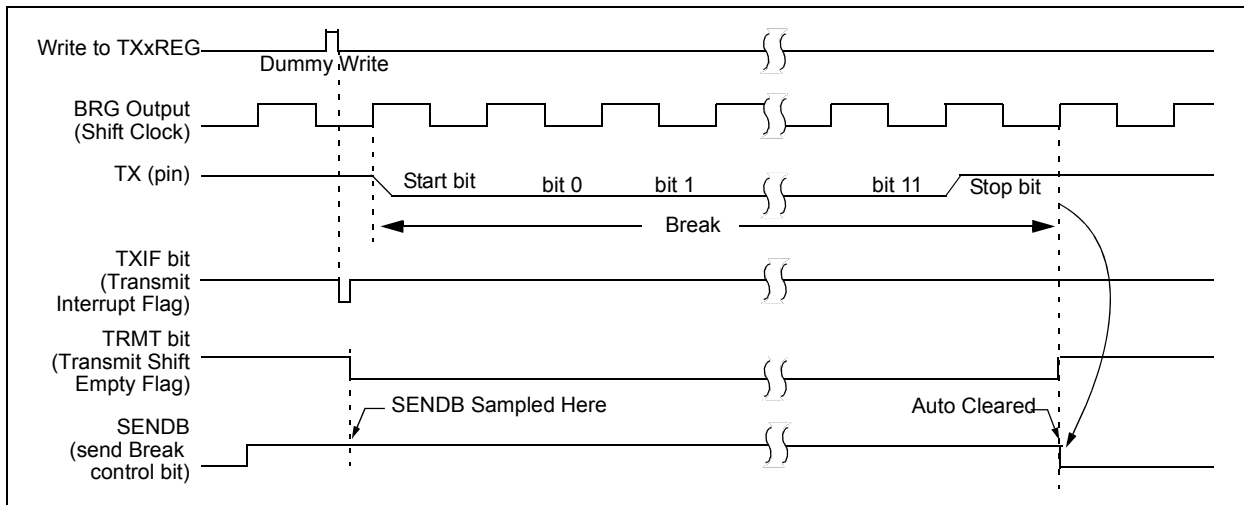
A Break character has been received when:

- RCIF bit is set
- FERR bit is set
- RCxREG = 00h

The second method uses the Auto-Wake-up feature described in [Section 33.4.3 "Auto-Wake-up on Break"](#). By enabling this feature, the EUSART will sample the next two transitions on RX/DT, cause an RCIF interrupt, and receive the next data byte followed by another interrupt.

Note that following a Break character, the user will typically want to enable the Auto-Baud Detect feature. For both methods, the user can set the ABDEN bit of the BAUDxCON register before placing the EUSART in Sleep mode.

FIGURE 33-9: SEND BREAK CHARACTER SEQUENCE



33.5 EUSART Synchronous Mode

Synchronous serial communications are typically used in systems with a single master and one or more slaves. The master device contains the necessary circuitry for baud rate generation and supplies the clock for all devices in the system. Slave devices can take advantage of the master clock by eliminating the internal clock generation circuitry.

There are two signal lines in Synchronous mode: a bidirectional data line and a clock line. Slaves use the external clock supplied by the master to shift the serial data into and out of their respective receive and transmit shift registers. Since the data line is bidirectional, synchronous operation is half-duplex only. Half-duplex refers to the fact that master and slave devices can receive and transmit data but not both simultaneously. The EUSART can operate as either a master or slave device.

Start and Stop bits are not used in synchronous transmissions.

33.5.1 SYNCHRONOUS MASTER MODE

The following bits are used to configure the EUSART for synchronous master operation:

- SYNC = 1
- CSRC = 1
- SREN = 0 (for transmit); SREN = 1 (for receive)
- CREN = 0 (for transmit); CREN = 1 (for receive)
- SPEN = 1

Setting the SYNC bit of the TXxSTA register configures the device for synchronous operation. Setting the CSRC bit of the TXxSTA register configures the device as a master. Clearing the SREN and CREN bits of the RCxSTA register ensures that the device is in the Transmit mode, otherwise the device will be configured to receive. Setting the SPEN bit of the RCxSTA register enables the EUSART.

33.5.1.1 Master Clock

Synchronous data transfers use a separate clock line, which is synchronous with the data. A device configured as a master transmits the clock on the TX/CK line. The TX/CK pin output driver is automatically enabled when the EUSART is configured for synchronous transmit or receive operation. Serial data bits change on the leading edge to ensure they are valid at the trailing edge of each clock. One clock cycle is generated for each data bit. Only as many clock cycles are generated as there are data bits.

33.5.1.2 Clock Polarity

A clock polarity option is provided for Microwire compatibility. Clock polarity is selected with the SCKP bit of the BAUDxCON register. Setting the SCKP bit sets the clock Idle state as high. When the SCKP bit is set, the data changes on the falling edge of each clock.

Clearing the SCKP bit sets the Idle state as low. When the SCKP bit is cleared, the data changes on the rising edge of each clock.

33.5.1.3 Synchronous Master Transmission

Data is transferred out of the device on the RX/DT pin. The RX/DT and TX/CK pin output drivers are automatically enabled when the EUSART is configured for synchronous master transmit operation.

A transmission is initiated by writing a character to the TXxREG register. If the TSR still contains all or part of a previous character the new character data is held in the TXxREG until the last bit of the previous character has been transmitted. If this is the first character, or the previous character has been completely flushed from the TSR, the data in the TXxREG is immediately transferred to the TSR. The transmission of the character commences immediately following the transfer of the data to the TSR from the TXxREG.

Each data bit changes on the leading edge of the master clock and remains valid until the subsequent leading clock edge.

Note: The TSR register is not mapped in data memory, so it is not available to the user.

33.5.1.4 Synchronous Master Transmission Set-up:

1. Initialize the SPxBRGH:SPxBRGL register pair and the BRGH and BRG16 bits to achieve the desired baud rate (see [Section 33.4 “EUSART Baud Rate Generator \(BRG\)”](#)).
2. Enable the synchronous master serial port by setting bits SYNC, SPEN and CSRC.
3. Disable Receive mode by clearing bits SREN and CREN.
4. Enable Transmit mode by setting the TXEN bit.
5. If 9-bit transmission is desired, set the TX9 bit.
6. If interrupts are desired, set the TXIE bit of the PIE1 register and the GIE and PEIE bits of the INTCON register.
7. If 9-bit transmission is selected, the ninth bit should be loaded in the TX9D bit.
8. Start transmission by loading data to the TXxREG register.

PIC16(L)F1777/8/9

FIGURE 33-10: SYNCHRONOUS TRANSMISSION



FIGURE 33-11: SYNCHRONOUS TRANSMISSION (THROUGH TXEN)

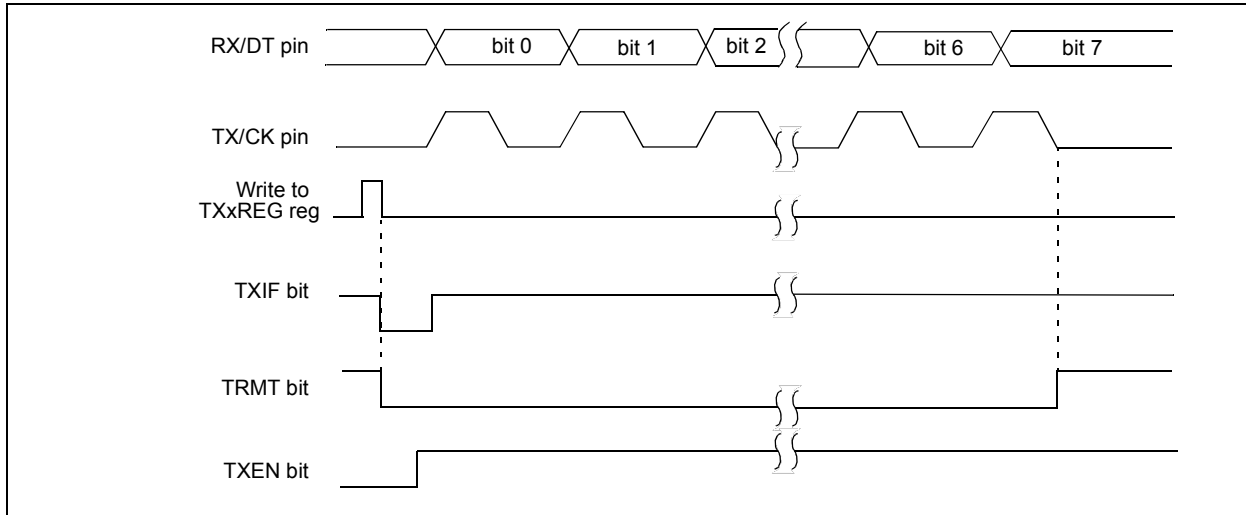


TABLE 33-7: SUMMARY OF REGISTERS ASSOCIATED WITH SYNCHRONOUS MASTER TRANSMISSION

Name	Bit 7	Bit 6	Bit 5	Bit 4	Bit 3	Bit 2	Bit 1	Bit 0	Register on Page
ANSELA	—	—	ANSA5	ANSA4	ANSA3	ANSA2	ANSA1	ANSA0	177
ANSELB	—	—	ANSB5	ANSB4	ANSB3	ANSB2	ANSB1	ANSB0	182
ANSELC	ANSC7	ANSC6	ANSC5	ANSC4	ANSC3	ANSC2	—	—	187
BAUD1CON	ABDOVF	RCIDL	—	SCKP	BRG16	—	WUE	ABDEN	505
INTCON	GIE	PEIE	TMR0IE	INTE	IOCFIE	TMR0IF	INTF	IOCFIF	132
PIE1	TMR1GIE	ADIE	RCIE	TXIE	SSP1IE	CCP1IE	TMR2IE	TMR1IE	133
PIR1	TMR1GIF	ADIF	RCIF	TXIF	SSP1IF	CCP1IF	TMR2IF	TMR1IF	139
RC1STA	SPEN	RX9	SREN	CREN	ADDEN	FERR	OERR	RX9D	504
RxyPPS	—	—	RxyPPS<5:0>						205
SP1BRGL	SP1BRG<7:0>								506
SP1BRGH	SP1BRG<15:8>								506
TRISA	TRISA7	TRISA6	TRISA5	TRISA4	TRISA3	TRISA2	TRISA1	TRISA0	176
TRISB	TRISB7	TRISB6	TRISB5	TRISB4	TRISB3	TRISB2	TRISB1	TRISB0	181
TRISC	TRISC7	TRISC6	TRISC5	TRISC4	TRISC3	TRISC2	TRISC1	TRISC0	186
TX1REG	EUSART Transmit Data Register								495*
TX1STA	CSRC	TX9	TXEN	SYNC	SEENDB	BRGH	TRMT	TX9D	503

Legend: — = unimplemented location, read as '0'. Shaded cells are not used for synchronous master transmission.

* Page provides register information.

PIC16(L)F1777/8/9

33.5.1.5 Synchronous Master Reception

Data is received at the RX/DT pin. The RX/DT pin output driver is automatically disabled when the EUSART is configured for synchronous master receive operation.

In Synchronous mode, reception is enabled by setting either the Single Receive Enable bit (SREN of the RCxSTA register) or the Continuous Receive Enable bit (CREN of the RCxSTA register).

When SREN is set and CREN is clear, only as many clock cycles are generated as there are data bits in a single character. The SREN bit is automatically cleared at the completion of one character. When CREN is set, clocks are continuously generated until CREN is cleared. If CREN is cleared in the middle of a character the CK clock stops immediately and the partial character is discarded. If SREN and CREN are both set, then SREN is cleared at the completion of the first character and CREN takes precedence.

To initiate reception, set either SREN or CREN. Data is sampled at the RX/DT pin on the trailing edge of the TX/CK clock pin and is shifted into the Receive Shift Register (RSR). When a complete character is received into the RSR, the RCIF bit is set and the character is automatically transferred to the two character receive FIFO. The Least Significant eight bits of the top character in the receive FIFO are available in RCxREG. The RCIF bit remains set as long as there are unread characters in the receive FIFO.

Note: If the RX/DT function is on an analog pin, the corresponding ANSEL bit must be cleared for the receiver to function.

33.5.1.6 Slave Clock

Synchronous data transfers use a separate clock line, which is synchronous with the data. A device configured as a slave receives the clock on the TX/CK line. The TX/CK pin output driver is automatically disabled when the device is configured for synchronous slave transmit or receive operation. Serial data bits change on the leading edge to ensure they are valid at the trailing edge of each clock. One data bit is transferred for each clock cycle. Only as many clock cycles should be received as there are data bits.

Note: If the device is configured as a slave and the TX/CK function is on an analog pin, the corresponding ANSEL bit must be cleared.

33.5.1.7 Receive Overrun Error

The receive FIFO buffer can hold two characters. An overrun error will be generated if a third character, in its entirety, is received before RCxREG is read to access the FIFO. When this happens the OERR bit of the RCxSTA register is set. Previous data in the FIFO will not be overwritten. The two characters in the FIFO buffer can be read, however, no additional characters will be received until the error is cleared. The OERR bit can only be cleared by clearing the overrun condition. If the overrun error occurred when the SREN bit is set and CREN is clear then the error is cleared by reading RCxREG. If the overrun occurred when the CREN bit is set then the error condition is cleared by either clearing the CREN bit of the RCxSTA register or by clearing the SPEN bit which resets the EUSART.

33.5.1.8 Receiving 9-bit Characters

The EUSART supports 9-bit character reception. When the RX9 bit of the RCxSTA register is set, the EUSART will shift nine bits into the RSR for each character received. The RX9D bit of the RCxSTA register is the ninth, and Most Significant, data bit of the top unread character in the receive FIFO. When reading 9-bit data from the receive FIFO buffer, the RX9D data bit must be read before reading the eight Least Significant bits from the RCxREG.

33.5.1.9 Synchronous Master Reception Set-up:

1. Initialize the SPxBRGH:SPxBRGL register pair for the appropriate baud rate. Set or clear the BRGH and BRG16 bits, as required, to achieve the desired baud rate.
2. Clear the ANSEL bit for the RX pin (if applicable).
3. Enable the synchronous master serial port by setting bits SYNC, SPEN and CSRC.
4. Ensure bits CREN and SREN are clear.
5. If interrupts are desired, set the RCIE bit of the PIE1 register and the GIE and PEIE bits of the INTCON register.
6. If 9-bit reception is desired, set bit RX9.
7. Start reception by setting the SREN bit or for continuous reception, set the CREN bit.
8. Interrupt flag bit RCIF will be set when reception of a character is complete. An interrupt will be generated if the enable bit RCIE was set.
9. Read the RCxSTA register to get the ninth bit (if enabled) and determine if any error occurred during reception.
10. Read the 8-bit received data by reading the RCxREG register.
11. If an overrun error occurs, clear the error by either clearing the CREN bit of the RCxSTA register or by clearing the SPEN bit which resets the EUSART.

FIGURE 33-12: SYNCHRONOUS RECEPTION (MASTER MODE, SREN)



TABLE 33-8: SUMMARY OF REGISTERS ASSOCIATED WITH SYNCHRONOUS MASTER RECEPTION

Name	Bit 7	Bit 6	Bit 5	Bit 4	Bit 3	Bit 2	Bit 1	Bit 0	Register on Page
ANSELA	—	—	ANSA5	ANSA4	ANSA3	ANSA2	ANSA1	ANSA0	177
ANSELB	—	—	ANSB5	ANSB4	ANSB3	ANSB2	ANSB1	ANSB0	182
ANSELC	ANSC7	ANSC6	ANSC5	ANSC4	ANSC3	ANSC2	—	—	187
BAUD1CON	ABDOVF	RCIDL	—	SCKP	BRG16	—	WUE	ABDEN	505
CKPPS	—	—	CKPPS<5:0>						205, 207
INTCON	GIE	PEIE	TMR0IE	INTE	IOCF	TMR0IF	INTF	IOCF	132
PIE1	TMR1GIE	ADIE	RCIE	TXIE	SSP1IE	CCP1IE	TMR2IE	TMR1IE	133
PIR1	TMR1GIF	ADIF	RCIF	TXIF	SSP1IF	CCP1IF	TMR2IF	TMR1IF	139
RC1REG	EUSART Receive Data Register								498*
RC1STA	SPEN	RX9	SREN	CREN	ADDEN	FERR	OERR	RX9D	504
RXPPS	—	—	RXPPS<5:0>						205, 207
RxyPPS	—	—	RxyPPS<5:0>						205
SP1BRGL	SP1BRG<7:0>								506*
SP1BRGH	SP1BRG<15:8>								506*
TRISA	TRISA5	TRISA4	TRISA5	TRISA4	TRISA5	TRISA2	TRISA1	TRISA0	176
TRISB	TRISB7	TRISB6	TRISB5	TRISB4	TRISB3	TRISB2	TRISB1	TRISB0	181
TRISC	TRISC7	TRISC6	TRISC5	TRISC4	TRISC3	TRISC2	TRISC1	TRISC0	186
TX1STA	CSRC	TX9	TXEN	SYNC	SENCB	BRGH	TRMT	TX9D	503

Legend: — = unimplemented location, read as '0'. Shaded cells are not used for synchronous master reception.

* Page provides register information.

PIC16(L)F1777/8/9

33.5.2 SYNCHRONOUS SLAVE MODE

The following bits are used to configure the EUSART for synchronous slave operation:

- SYNC = 1
- CSRC = 0
- SREN = 0 (for transmit); SREN = 1 (for receive)
- CREN = 0 (for transmit); CREN = 1 (for receive)
- SPEN = 1

Setting the SYNC bit of the TXxSTA register configures the device for synchronous operation. Clearing the CSRC bit of the TXxSTA register configures the device as a slave. Clearing the SREN and CREN bits of the RCxSTA register ensures that the device is in the Transmit mode, otherwise the device will be configured to receive. Setting the SPEN bit of the RCxSTA register enables the EUSART.

33.5.2.1 EUSART Synchronous Slave Transmit

The operation of the Synchronous Master and Slave modes are identical (see [Section 33.5.1.3 “Synchronous Master Transmission”](#)), except in the case of the Sleep mode.

If two words are written to the TXxREG and then the SLEEP instruction is executed, the following will occur:

1. The first character will immediately transfer to the TSR register and transmit.
2. The second word will remain in the TXxREG register.
3. The TXIF bit will not be set.
4. After the first character has been shifted out of TSR, the TXxREG register will transfer the second character to the TSR and the TXIF bit will now be set.
5. If the PEIE and TXIE bits are set, the interrupt will wake the device from Sleep and execute the next instruction. If the GIE bit is also set, the program will call the Interrupt Service Routine.

33.5.2.2 Synchronous Slave Transmission Set-up:

1. Set the SYNC and SPEN bits and clear the CSRC bit.
2. Clear the ANSEL bit for the CK pin (if applicable).
3. Clear the CREN and SREN bits.
4. If interrupts are desired, set the TXIE bit of the PIE1 register and the GIE and PEIE bits of the INTCON register.
5. If 9-bit transmission is desired, set the TX9 bit.
6. Enable transmission by setting the TXEN bit.
7. If 9-bit transmission is selected, insert the Most Significant bit into the TX9D bit.
8. Start transmission by writing the Least Significant eight bits to the TXxREG register.

TABLE 33-9: SUMMARY OF REGISTERS ASSOCIATED WITH SYNCHRONOUS SLAVE TRANSMISSION

Name	Bit 7	Bit 6	Bit 5	Bit 4	Bit 3	Bit 2	Bit 1	Bit 0	Register on Page
ANSELA	—	—	ANSA5	ANSA4	ANSA3	ANSA2	ANSA1	ANSA0	177
ANSELB	—	—	ANSB5	ANSB4	ANSB3	ANSB2	ANSB1	ANSB0	182
ANSELC	ANSC7	ANSC6	ANSC5	ANSC4	ANSC3	ANSC2	—	—	187
BAUD1CON	ABDOVF	RCIDL	—	SCKP	BRG16	—	WUE	ABDEN	505
CKPPS	—	—	CKPPS<5:0>						205, 207
INTCON	GIE	PEIE	TMR0IE	INTE	IOCIE	TMR0IF	INTF	IOCIF	132
PIE1	TMR1GIE	ADIE	RCIE	TXIE	SSP1IE	CCP1IE	TMR2IE	TMR1IE	133
PIR1	TMR1GIF	ADIF	RCIF	TXIF	SSP1IF	CCP1IF	TMR2IF	TMR1IF	139
RC1STA	SPEN	RX9	SREN	CREN	ADDEN	FERR	OERR	RX9D	504
RXPPS	—	—	RXPPS<5:0>						205, 207
RxyPPS	—	—	RxyPPS<5:0>						205
TRISA	TRISA7	TRISA6	TRISA5	TRISA4	TRISA3	TRISA2	TRISA1	TRISA0	176
TRISB	TRISB7	TRISB6	TRISB5	TRISB4	TRISB3	TRISB2	TRISB1	TRISB0	181
TRISC	TRISC7	TRISC6	TRISC5	TRISC4	TRISC3	TRISC2	TRISC1	TRISC0	186
TX1REG	EUSART Transmit Data Register								495*
TX1STA	CSRC	TX9	TXEN	SYNC	SEnDB	BRGH	TRMT	TX9D	503

Legend: — = unimplemented location, read as '0'. Shaded cells are not used for synchronous slave transmission.

* Page provides register information.

PIC16(L)F1777/8/9

33.5.2.3 EUSART Synchronous Slave Reception

The operation of the Synchronous Master and Slave modes is identical ([Section 33.5.1.5 “Synchronous Master Reception”](#)), with the following exceptions:

- Sleep
- CREN bit is always set, therefore the receiver is never idle
- SREN bit, which is a “don’t care” in Slave mode

A character may be received while in Sleep mode by setting the CREN bit prior to entering Sleep. Once the word is received, the RSR register will transfer the data to the RCxREG register. If the RCIE enable bit is set, the interrupt generated will wake the device from Sleep and execute the next instruction. If the GIE bit is also set, the program will branch to the interrupt vector.

33.5.2.4 Synchronous Slave Reception Set-up:

1. Set the SYNC and SPEN bits and clear the CSRC bit.
2. Clear the ANSEL bit for both the CK and DT pins (if applicable).
3. If interrupts are desired, set the RCIE bit of the PIE1 register and the GIE and PEIE bits of the INTCON register.
4. If 9-bit reception is desired, set the RX9 bit.
5. Set the CREN bit to enable reception.
6. The RCIF bit will be set when reception is complete. An interrupt will be generated if the RCIE bit was set.
7. If 9-bit mode is enabled, retrieve the Most Significant bit from the RX9D bit of the RCxSTA register.
8. Retrieve the eight Least Significant bits from the receive FIFO by reading the RCxREG register.
9. If an overrun error occurs, clear the error by either clearing the CREN bit of the RCxSTA register or by clearing the SPEN bit which resets the EUSART.

TABLE 33-10: SUMMARY OF REGISTERS ASSOCIATED WITH SYNCHRONOUS SLAVE RECEPTION

Name	Bit 7	Bit 6	Bit 5	Bit 4	Bit 3	Bit 2	Bit 1	Bit 0	Register on Page
ANSELA	—	—	ANSA5	ANSA4	ANSA3	ANSA2	ANSA1	ANSA0	177
ANSELB	—	—	ANSB5	ANSB4	ANSB3	ANSB2	ANSB1	ANSB0	182
ANSELC	ANSC7	ANSC6	ANSC5	ANSC4	ANSC3	ANSC2	—	—	187
BAUD1CON	ABDOVF	RCIDL	—	SCKP	BRG16	—	WUE	ABDEN	505
CKPPS	—	—	CKPPS<5:0>						205, 207
INTCON	GIE	PEIE	TMR0IE	INTE	IOCF	TMR0IF	INTF	IOCF	132
PIE1	TMR1GIE	ADIE	RCIE	TXIE	SSP1IE	CCP1IE	TMR2IE	TMR1IE	133
PIR1	TMR1GIF	ADIF	RCIF	TXIF	SSP1IF	CCP1IF	TMR2IF	TMR1IF	139
RC1REG	EUSART Receive Data Register								498*
RC1STA	SPEN	RX9	SREN	CREN	ADDEN	FERR	OERR	RX9D	504
RXPPS	—	—	RXPPS<5:0>						205, 207
TRISA	TRISA7	TRISA6	TRISA5	TRISA4	TRISA3	TRISA2	TRISA1	TRISA0	176
TRISB	TRISB7	TRISB6	TRISB5	TRISB4	TRISB3	TRISB2	TRISB1	TRISB0	181
TRISC	TRISC7	TRISC6	TRISC5	TRISC4	TRISC3	TRISC2	TRISC1	TRISC0	186
TX1STA	CSRC	TX9	TXEN	SYNC	SENDB	BRGH	TRMT	TX9D	503

Legend: — = unimplemented location, read as '0'. Shaded cells are not used for synchronous slave reception.

* Page provides register information.

33.6 EUSART Operation During Sleep

The EUSART will remain active during Sleep only in the Synchronous Slave mode. All other modes require the system clock and therefore cannot generate the necessary signals to run the Transmit or Receive Shift registers during Sleep.

Synchronous Slave mode uses an externally generated clock to run the Transmit and Receive Shift registers.

33.6.1 SYNCHRONOUS RECEIVE DURING SLEEP

To receive during Sleep, all the following conditions must be met before entering Sleep mode:

- RCxSTA and TXxSTA Control registers must be configured for Synchronous Slave Reception (see [Section 33.5.2.4 “Synchronous Slave Reception Set-up:”](#)).
- If interrupts are desired, set the RCIE bit of the PIE1 register and the GIE and PEIE bits of the INTCON register.
- The RCIF interrupt flag must be cleared by reading RCxREG to unload any pending characters in the receive buffer.

Upon entering Sleep mode, the device will be ready to accept data and clocks on the RX/DT and TX/CK pins, respectively. When the data word has been completely clocked in by the external device, the RCIF interrupt flag bit of the PIR1 register will be set. Thereby, waking the processor from Sleep.

Upon waking from Sleep, the instruction following the SLEEP instruction will be executed. If the Global Interrupt Enable (GIE) bit of the INTCON register is also set, then the Interrupt Service Routine at address 004h will be called.

33.6.2 SYNCHRONOUS TRANSMIT DURING SLEEP

To transmit during Sleep, all the following conditions must be met before entering Sleep mode:

- The RCxSTA and TXxSTA Control registers must be configured for synchronous slave transmission (see [Section 33.5.2.2 “Synchronous Slave Transmission Set-up:”](#)).
- The TXIF interrupt flag must be cleared by writing the output data to the TXxREG, thereby filling the TSR and transmit buffer.
- If interrupts are desired, set the TXIE bit of the PIE1 register and the PEIE bit of the INTCON register.
- Interrupt enable bits TXIE of the PIE1 register and PEIE of the INTCON register must set.

Upon entering Sleep mode, the device will be ready to accept clocks on TX/CK pin and transmit data on the RX/DT pin. When the data word in the TSR has been completely clocked out by the external device, the pending byte in the TXxREG will transfer to the TSR and the TXIF flag will be set. Thereby, waking the processor from Sleep. At this point, the TXxREG is available to accept another character for transmission, which will clear the TXIF flag.

Upon waking from Sleep, the instruction following the SLEEP instruction will be executed. If the Global Interrupt Enable (GIE) bit is also set then the Interrupt Service Routine at address 0004h will be called.

PIC16(L)F1777/8/9

34.0 IN-CIRCUIT SERIAL PROGRAMMING™ (ICSP™)

ICSP™ programming allows customers to manufacture circuit boards with unprogrammed devices. Programming can be done after the assembly process, allowing the device to be programmed with the most recent firmware or a custom firmware. Five pins are needed for ICSP™ programming:

- ICSPCLK
- ICSPDAT
- MCLR/VPP
- VDD
- VSS

In Program/Verify mode the program memory, User IDs and the Configuration Words are programmed through serial communications. The ICSPDAT pin is a bidirectional I/O used for transferring the serial data and the ICSPCLK pin is the clock input. For more information on ICSP™ refer to the “PIC16(L)F177X Memory Programming Specification” (DS40001792).

34.1 High-Voltage Programming Entry Mode

The device is placed into High-Voltage Programming Entry mode by holding the ICSPCLK and ICSPDAT pins low then raising the voltage on MCLR/VPP to V_{IHH}.

34.2 Low-Voltage Programming Entry Mode

The Low-Voltage Programming Entry mode allows the PIC® Flash MCUs to be programmed using V_{DD} only, without high voltage. When the LVP bit of Configuration Words is set to ‘1’, the low-voltage ICSP programming entry is enabled. To disable the Low-Voltage ICSP mode, the LVP bit must be programmed to ‘0’.

Entry into the Low-Voltage Programming Entry mode requires the following steps:

1. $\overline{\text{MCLR}}$ is brought to V_{IL}.
2. A 32-bit key sequence is presented on ICSPDAT, while clocking ICSPCLK.

Once the key sequence is complete, $\overline{\text{MCLR}}$ must be held at V_{IL} for as long as Program/Verify mode is to be maintained.

If low-voltage programming is enabled (LVP = 1), the $\overline{\text{MCLR}}$ Reset function is automatically enabled and cannot be disabled. See [Section 6.5 “MCLR”](#) for more information.

The LVP bit can only be reprogrammed to ‘0’ by using the High-Voltage Programming mode.

34.3 Common Programming Interfaces

Connection to a target device is typically done through an ICSP™ header. A commonly found connector on development tools is the RJ-11 in the 6P6C (6-pin, 6-connector) configuration. See [Figure 34-1](#).

FIGURE 34-1: ICD RJ-11 STYLE CONNECTOR INTERFACE



Another connector often found in use with the PICkit™ programmers is a standard 6-pin header with 0.1 inch spacing. Refer to [Figure 34-2](#).

For additional interface recommendations, refer to your specific device programmer manual prior to PCB design.

It is recommended that isolation devices be used to separate the programming pins from other circuitry. The type of isolation is highly dependent on the specific application and may include devices such as resistors, diodes, or even jumpers. See [Figure 34-3](#) for more information.

FIGURE 34-2: PICKIT™ PROGRAMMER STYLE CONNECTOR INTERFACE

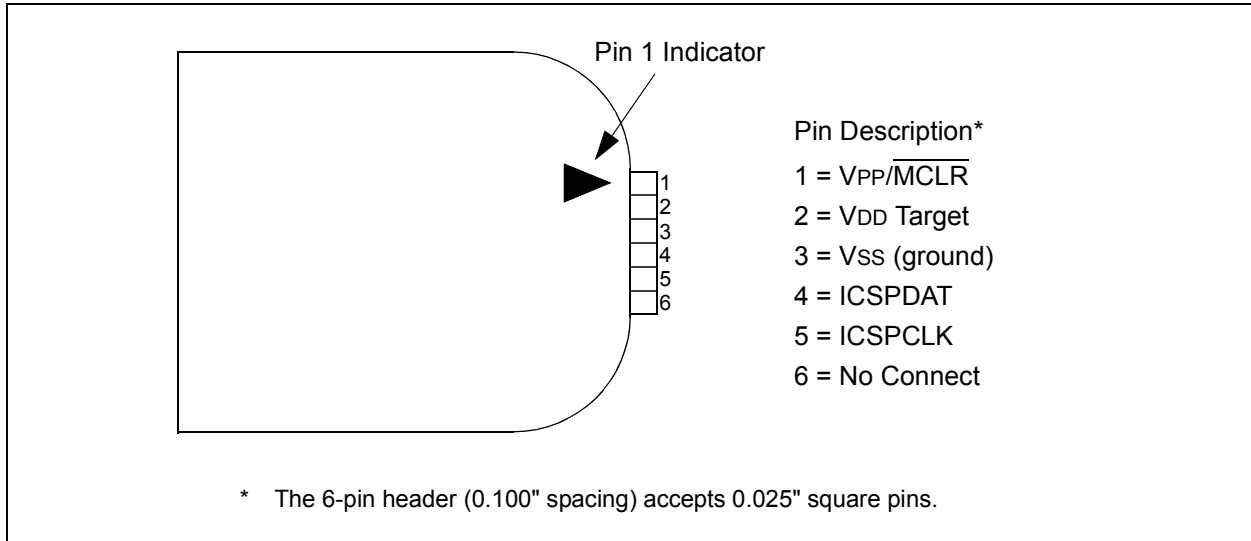
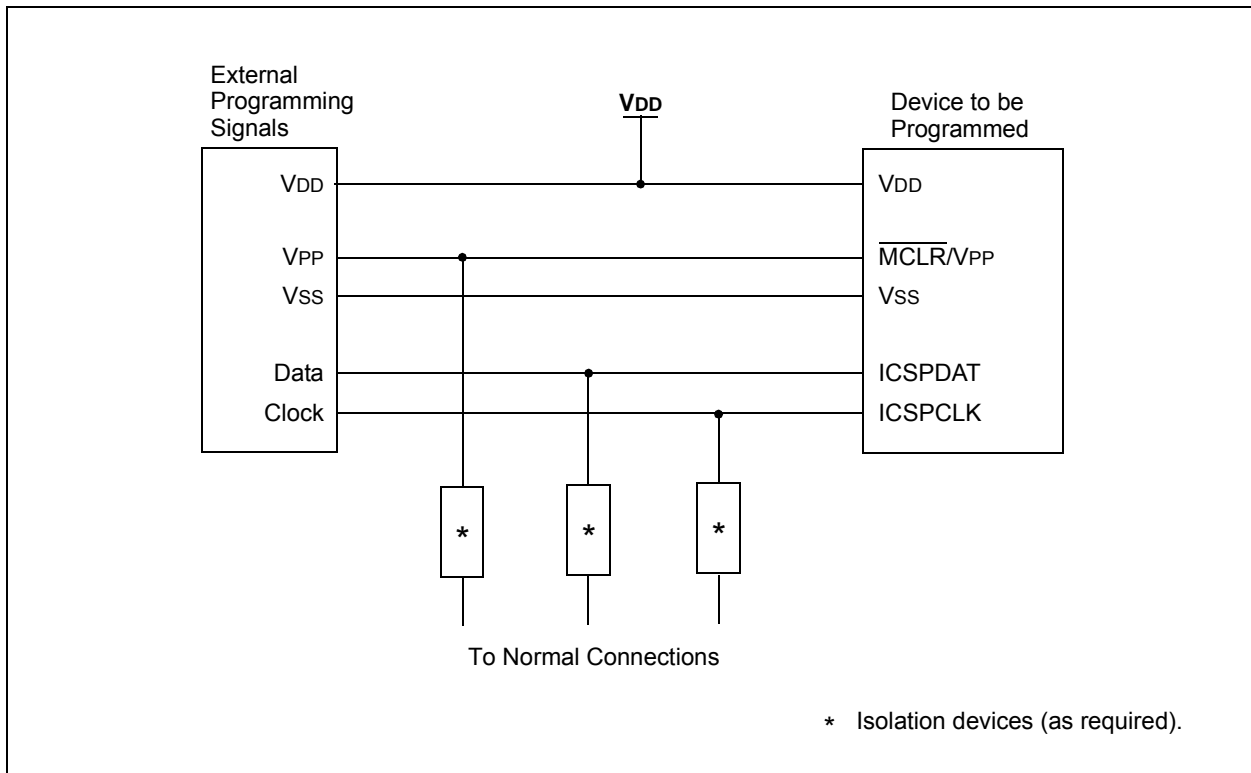


FIGURE 34-3: TYPICAL CONNECTION FOR ICSP™ PROGRAMMING



PIC16(L)F1777/8/9

35.0 INSTRUCTION SET SUMMARY

Each instruction is a 14-bit word containing the operation code (opcode) and all required operands. The opcodes are broken into three broad categories.

- Byte Oriented
- Bit Oriented
- Literal and Control

The literal and control category contains the most varied instruction word format.

Table 35-3 lists the instructions recognized by the MPASM™ assembler.

All instructions are executed within a single instruction cycle, with the following exceptions, which may take two or three cycles:

- Subroutine takes two cycles (CALL, CALLW)
- Returns from interrupts or subroutines take two cycles (RETURN, RETLW, RETFIE)
- Program branching takes two cycles (GOTO, BRA, BRW, BTFSS, BTFSC, DECFSZ, INCSFZ)
- One additional instruction cycle will be used when any instruction references an indirect file register and the file select register is pointing to program memory.

One instruction cycle consists of four oscillator cycles; for an oscillator frequency of 4 MHz, this gives a nominal instruction execution rate of 1 MHz.

All instruction examples use the format '0xhh' to represent a hexadecimal number, where 'h' signifies a hexadecimal digit.

35.1 Read-Modify-Write Operations

Any instruction that specifies a file register as part of the instruction performs a Read-Modify-Write (R-M-W) operation. The register is read, the data is modified, and the result is stored according to either the instruction, or the destination designator 'd'. A read operation is performed on a register even if the instruction writes to that register.

TABLE 35-1: OPCODE FIELD DESCRIPTIONS

Field	Description
f	Register file address (0x00 to 0x7F)
W	Working register (accumulator)
b	Bit address within an 8-bit file register
k	Literal field, constant data or label
x	Don't care location (= 0 or 1). The assembler will generate code with x = 0. It is the recommended form of use for compatibility with all Microchip software tools.
d	Destination select; d = 0: store result in W, d = 1: store result in file register f. Default is d = 1.
n	FSR or INDF number. (0-1)
mm	Pre-post increment-decrement mode selection

TABLE 35-2: ABBREVIATION DESCRIPTIONS

Field	Description
PC	Program Counter
\overline{TO}	Time-Out bit
C	Carry bit
DC	Digit Carry bit
Z	Zero bit
\overline{PD}	Power-Down bit

FIGURE 35-1: GENERAL FORMAT FOR INSTRUCTIONS



PIC16(L)F1777/8/9

TABLE 35-3: INSTRUCTION SET

Mnemonic, Operands	Description	Cycles	14-Bit Opcode				Status Affected	Notes	
			MSb	LSb					
BYTE-ORIENTED FILE REGISTER OPERATIONS									
ADDWF	f, d	Add W and f	1	00	0111	dfff	ffff	C, DC, Z	2
ADDWFC	f, d	Add with Carry W and f	1	11	1101	dfff	ffff	C, DC, Z	2
ANDWF	f, d	AND W with f	1	00	0101	dfff	ffff	Z	2
ASRF	f, d	Arithmetic Right Shift	1	11	0111	dfff	ffff	C, Z	2
LSLF	f, d	Logical Left Shift	1	11	0101	dfff	ffff	C, Z	2
LSRF	f, d	Logical Right Shift	1	11	0110	dfff	ffff	C, Z	2
CLRF	f	Clear f	1	00	0001	1fff	ffff	Z	2
CLRWF	–	Clear W	1	00	0001	0000	00xx	Z	2
COMF	f, d	Complement f	1	00	1001	dfff	ffff	Z	2
DECf	f, d	Decrement f	1	00	0011	dfff	ffff	Z	2
INCF	f, d	Increment f	1	00	1010	dfff	ffff	Z	2
IORWF	f, d	Inclusive OR W with f	1	00	0100	dfff	ffff	Z	2
MOVF	f, d	Move f	1	00	1000	dfff	ffff	Z	2
MOVWF	f	Move W to f	1	00	0000	1fff	ffff		2
RLF	f, d	Rotate Left f through Carry	1	00	1101	dfff	ffff	C	2
RRF	f, d	Rotate Right f through Carry	1	00	1100	dfff	ffff	C	2
SUBWF	f, d	Subtract W from f	1	00	0010	dfff	ffff	C, DC, Z	2
SUBWFB	f, d	Subtract with Borrow W from f	1	11	1011	dfff	ffff	C, DC, Z	2
SWAPF	f, d	Swap nibbles in f	1	00	1110	dfff	ffff		2
XORWF	f, d	Exclusive OR W with f	1	00	0110	dfff	ffff	Z	2
BYTE ORIENTED SKIP OPERATIONS									
DECFSZ	f, d	Decrement f, Skip if 0	1(2)	00	1011	dfff	ffff		1, 2
INCFSZ	f, d	Increment f, Skip if 0	1(2)	00	1111	dfff	ffff		1, 2
BIT-ORIENTED FILE REGISTER OPERATIONS									
BCF	f, b	Bit Clear f	1	01	00bb	bfff	ffff		2
BSF	f, b	Bit Set f	1	01	01bb	bfff	ffff		2
BIT-ORIENTED SKIP OPERATIONS									
BTFSC	f, b	Bit Test f, Skip if Clear	1 (2)	01	10bb	bfff	ffff		1, 2
BTFSS	f, b	Bit Test f, Skip if Set	1 (2)	01	11bb	bfff	ffff		1, 2
LITERAL OPERATIONS									
ADDLW	k	Add literal and W	1	11	1110	kkkk	kkkk	C, DC, Z	
ANDLW	k	AND literal with W	1	11	1001	kkkk	kkkk	Z	
IORLW	k	Inclusive OR literal with W	1	11	1000	kkkk	kkkk	Z	
MOVLB	k	Move literal to BSR	1	00	0000	001k	kkkk		
MOVLW	k	Move literal to PCLATH	1	11	0001	1kkk	kkkk		
MOVLW	k	Move literal to W	1	11	0000	kkkk	kkkk		
SUBLW	k	Subtract W from literal	1	11	1100	kkkk	kkkk	C, DC, Z	
XORLW	k	Exclusive OR literal with W	1	11	1010	kkkk	kkkk	Z	

- Note 1:** If the Program Counter (PC) is modified, or a conditional test is true, the instruction requires two cycles. The second cycle is executed as a NOP.
- Note 2:** If this instruction addresses an INDF register and the MSb of the corresponding FSR is set, this instruction will require one additional instruction cycle.

TABLE 35-3: INSTRUCTION SET (CONTINUED)

Mnemonic, Operands	Description	Cycles	14-Bit Opcode				Status Affected	Notes
			MSb			LSb		
CONTROL OPERATIONS								
BRA	k	Relative Branch	2	11	001k	kkkk	kkkk	
BRW	–	Relative Branch with W	2	00	0000	0000	1011	
CALL	k	Call Subroutine	2	10	0kkk	kkkk	kkkk	
CALLW	–	Call Subroutine with W	2	00	0000	0000	1010	
GOTO	k	Go to address	2	10	1kkk	kkkk	kkkk	
RETFIE	k	Return from interrupt	2	00	0000	0000	1001	
RETLW	k	Return with literal in W	2	11	0100	kkkk	kkkk	
RETURN	–	Return from Subroutine	2	00	0000	0000	1000	
INHERENT OPERATIONS								
CLRWDT	–	Clear Watchdog Timer	1	00	0000	0110	0100	$\overline{TO}, \overline{PD}$
NOP	–	No Operation	1	00	0000	0000	0000	
OPTION	–	Load OPTION_REG register with W	1	00	0000	0110	0010	
RESET	–	Software device Reset	1	00	0000	0000	0001	
SLEEP	–	Go into Standby mode	1	00	0000	0110	0011	$\overline{TO}, \overline{PD}$
TRIS	f	Load TRIS register with W	1	00	0000	0110	0fff	
C-COMPILER OPTIMIZED								
ADDFSR	n, k	Add Literal k to FSRn	1	11	0001	0nkk	kkkk	
MOVIW	n mm	Move Indirect FSRn to W with pre/post inc/dec modifier, mm	1	00	0000	0001	0nmm	Z
	k[n]	Move INDFn to W, Indexed Indirect.	1	11	1111	0nkk	kkkk	Z
MOVWI	n mm	Move W to Indirect FSRn with pre/post inc/dec modifier, mm	1	00	0000	0001	1nmm	
	k[n]	Move W to INDFn, Indexed Indirect.	1	11	1111	1nkk	kkkk	

- Note 1:** If the Program Counter (PC) is modified, or a conditional test is true, the instruction requires two cycles. The second cycle is executed as a NOP.
- 2:** If this instruction addresses an INDF register and the MSb of the corresponding FSR is set, this instruction will require one additional instruction cycle.
- 3:** See Table in the MOVIW and MOVWI instruction descriptions.

PIC16(L)F1777/8/9

35.2 Instruction Descriptions

ADDFSR	Add Literal to FSRn
Syntax:	[<i>label</i>] ADDFSR FSRn, k
Operands:	-32 ≤ k ≤ 31 n ∈ [0, 1]
Operation:	FSR(n) + k → FSR(n)
Status Affected:	None
Description:	The signed 6-bit literal 'k' is added to the contents of the FSRnH:FSRnL register pair. FSRn is limited to the range 0000h-FFFFh. Moving beyond these bounds will cause the FSR to wrap-around.

ADDLW	Add literal and W
Syntax:	[<i>label</i>] ADDLW k
Operands:	0 ≤ k ≤ 255
Operation:	(W) + k → (W)
Status Affected:	C, DC, Z
Description:	The contents of the W register are added to the 8-bit literal 'k' and the result is placed in the W register.

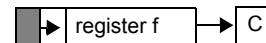
ADDWF	Add W and f
Syntax:	[<i>label</i>] ADDWF f,d
Operands:	0 ≤ f ≤ 127 d ∈ [0,1]
Operation:	(W) + (f) → (destination)
Status Affected:	C, DC, Z
Description:	Add the contents of the W register with register 'f'. If 'd' is '0', the result is stored in the W register. If 'd' is '1', the result is stored back in register 'f'.

ADDWFC	ADD W and CARRY bit to f
Syntax:	[<i>label</i>] ADDWFC f {,d}
Operands:	0 ≤ f ≤ 127 d ∈ [0,1]
Operation:	(W) + (f) + (C) → dest
Status Affected:	C, DC, Z
Description:	Add W, the Carry flag and data memory location 'f'. If 'd' is '0', the result is placed in W. If 'd' is '1', the result is placed in data memory location 'f'.

ANDLW	AND literal with W
Syntax:	[<i>label</i>] ANDLW k
Operands:	0 ≤ k ≤ 255
Operation:	(W) .AND. (k) → (W)
Status Affected:	Z
Description:	The contents of W register are AND'ed with the 8-bit literal 'k'. The result is placed in the W register.

ANDWF	AND W with f
Syntax:	[<i>label</i>] ANDWF f,d
Operands:	0 ≤ f ≤ 127 d ∈ [0,1]
Operation:	(W) .AND. (f) → (destination)
Status Affected:	Z
Description:	AND the W register with register 'f'. If 'd' is '0', the result is stored in the W register. If 'd' is '1', the result is stored back in register 'f'.

ASRF	Arithmetic Right Shift
Syntax:	[<i>label</i>] ASRF f {,d}
Operands:	0 ≤ f ≤ 127 d ∈ [0,1]
Operation:	(f<7>) → dest<7> (f<7:1>) → dest<6:0>, (f<0>) → C,
Status Affected:	C, Z
Description:	The contents of register 'f' are shifted one bit to the right through the Carry flag. The MSb remains unchanged. If 'd' is '0', the result is placed in W. If 'd' is '1', the result is stored back in register 'f'.



BCF	Bit Clear f
Syntax:	[<i>label</i>] BCF f,b
Operands:	$0 \leq f \leq 127$ $0 \leq b \leq 7$
Operation:	$0 \rightarrow (f)$
Status Affected:	None
Description:	Bit 'b' in register 'f' is cleared.

BTFSC	Bit Test f, Skip if Clear
Syntax:	[<i>label</i>] BTFSC f,b
Operands:	$0 \leq f \leq 127$ $0 \leq b \leq 7$
Operation:	skip if (f) = 0
Status Affected:	None
Description:	If bit 'b' in register 'f' is '1', the next instruction is executed. If bit 'b', in register 'f', is '0', the next instruction is discarded, and a NOP is executed instead, making this a 2-cycle instruction.

BRA	Relative Branch
Syntax:	[<i>label</i>] BRA label [<i>label</i>] BRA \$+k
Operands:	$-256 \leq \text{label} - \text{PC} + 1 \leq 255$ $-256 \leq k \leq 255$
Operation:	$(\text{PC}) + 1 + k \rightarrow \text{PC}$
Status Affected:	None
Description:	Add the signed 9-bit literal 'k' to the PC. Since the PC will have incremented to fetch the next instruction, the new address will be $\text{PC} + 1 + k$. This instruction is a 2-cycle instruction. This branch has a limited range.

BTFSS	Bit Test f, Skip if Set
Syntax:	[<i>label</i>] BTFSS f,b
Operands:	$0 \leq f \leq 127$ $0 \leq b < 7$
Operation:	skip if (f) = 1
Status Affected:	None
Description:	If bit 'b' in register 'f' is '0', the next instruction is executed. If bit 'b' is '1', then the next instruction is discarded and a NOP is executed instead, making this a 2-cycle instruction.

BRW	Relative Branch with W
Syntax:	[<i>label</i>] BRW
Operands:	None
Operation:	$(\text{PC}) + (W) \rightarrow \text{PC}$
Status Affected:	None
Description:	Add the contents of W (unsigned) to the PC. Since the PC will have incremented to fetch the next instruction, the new address will be $\text{PC} + 1 + (W)$. This instruction is a 2-cycle instruction.

BSF	Bit Set f
Syntax:	[<i>label</i>] BSF f,b
Operands:	$0 \leq f \leq 127$ $0 \leq b \leq 7$
Operation:	$1 \rightarrow (f)$
Status Affected:	None
Description:	Bit 'b' in register 'f' is set.

PIC16(L)F1777/8/9

CALL Call Subroutine

Syntax: [*label*] CALL k
Operands: $0 \leq k \leq 2047$
Operation: (PC)+ 1 → TOS,
k → PC<10:0>,
(PCLATH<6:3>) → PC<14:11>
Status Affected: None
Description: Call Subroutine. First, return address (PC + 1) is pushed onto the stack. The 11-bit immediate address is loaded into PC bits <10:0>. The upper bits of the PC are loaded from PCLATH. CALL is a 2-cycle instruction.

CALLW Subroutine Call With W

Syntax: [*label*] CALLW
Operands: None
Operation: (PC) + 1 → TOS,
(W) → PC<7:0>,
(PCLATH<6:0>) → PC<14:8>
Status Affected: None
Description: Subroutine call with W. First, the return address (PC + 1) is pushed onto the return stack. Then, the contents of W is loaded into PC<7:0>, and the contents of PCLATH into PC<14:8>. CALLW is a 2-cycle instruction.

CLRF Clear f

Syntax: [*label*] CLRF f
Operands: $0 \leq f \leq 127$
Operation: 00h → (f)
1 → Z
Status Affected: Z
Description: The contents of register 'f' are cleared and the Z bit is set.

CLRW Clear W

Syntax: [*label*] CLRW
Operands: None
Operation: 00h → (W)
1 → Z
Status Affected: Z
Description: W register is cleared. Zero bit (Z) is set.

CLRWDTClear Watchdog Timer

Syntax: [*label*] CLRWDTClear Watchdog Timer
Operands: None
Operation: 00h → WDT
0 → WDT prescaler,
1 → \overline{TO}
1 → \overline{PD}
Status Affected: \overline{TO} , \overline{PD}
Description: CLRWDTClear Watchdog Timer instruction resets the Watchdog Timer. It also resets the prescaler of the WDT. Status bits \overline{TO} and \overline{PD} are set.

COMF Complement f

Syntax: [*label*] COMF f,d
Operands: $0 \leq f \leq 127$
d ∈ [0,1]
Operation: (\bar{f}) → (destination)
Status Affected: Z
Description: The contents of register 'f' are complemented. If 'd' is '0', the result is stored in W. If 'd' is '1', the result is stored back in register 'f'.

DECF Decrement f

Syntax: [*label*] DECF f,d
Operands: $0 \leq f \leq 127$
d ∈ [0,1]
Operation: (f) - 1 → (destination)
Status Affected: Z
Description: Decrement register 'f'. If 'd' is '0', the result is stored in the W register. If 'd' is '1', the result is stored back in register 'f'.

DECFSZ Decrement f, Skip if 0

Syntax: [*label*] DECFSZ f,d

Operands: $0 \leq f \leq 127$
 $d \in [0,1]$

Operation: $(f) - 1 \rightarrow (\text{destination});$
skip if result = 0

Status Affected: None

Description: The contents of register 'f' are decremented. If 'd' is '0', the result is placed in the W register. If 'd' is '1', the result is placed back in register 'f'. If the result is '1', the next instruction is executed. If the result is '0', then a NOP is executed instead, making it a 2-cycle instruction.

INCFSZ Increment f, Skip if 0

Syntax: [*label*] INCFSZ f,d

Operands: $0 \leq f \leq 127$
 $d \in [0,1]$

Operation: $(f) + 1 \rightarrow (\text{destination}),$
skip if result = 0

Status Affected: None

Description: The contents of register 'f' are incremented. If 'd' is '0', the result is placed in the W register. If 'd' is '1', the result is placed back in register 'f'. If the result is '1', the next instruction is executed. If the result is '0', a NOP is executed instead, making it a 2-cycle instruction.

GOTO Unconditional Branch

Syntax: [*label*] GOTO k

Operands: $0 \leq k \leq 2047$

Operation: $k \rightarrow \text{PC}\langle 10:0 \rangle$
 $\text{PCLATH}\langle 6:3 \rangle \rightarrow \text{PC}\langle 14:11 \rangle$

Status Affected: None

Description: GOTO is an unconditional branch. The 11-bit immediate value is loaded into PC bits $\langle 10:0 \rangle$. The upper bits of PC are loaded from PCLATH $\langle 4:3 \rangle$. GOTO is a 2-cycle instruction.

IORLW Inclusive OR literal with W

Syntax: [*label*] IORLW k

Operands: $0 \leq k \leq 255$

Operation: $(W) .\text{OR. } k \rightarrow (W)$

Status Affected: Z

Description: The contents of the W register are OR'ed with the 8-bit literal 'k'. The result is placed in the W register.

INCF Increment f

Syntax: [*label*] INCF f,d

Operands: $0 \leq f \leq 127$
 $d \in [0,1]$

Operation: $(f) + 1 \rightarrow (\text{destination})$

Status Affected: Z

Description: The contents of register 'f' are incremented. If 'd' is '0', the result is placed in the W register. If 'd' is '1', the result is placed back in register 'f'.

IORWF Inclusive OR W with f

Syntax: [*label*] IORWF f,d

Operands: $0 \leq f \leq 127$
 $d \in [0,1]$

Operation: $(W) .\text{OR. } (f) \rightarrow (\text{destination})$

Status Affected: Z

Description: Inclusive OR the W register with register 'f'. If 'd' is '0', the result is placed in the W register. If 'd' is '1', the result is placed back in register 'f'.

PIC16(L)F1777/8/9

LSLF Logical Left Shift

Syntax: `[label] LSLF f{,d}`

Operands: $0 \leq f \leq 127$
 $d \in [0,1]$

Operation: $(f<7>) \rightarrow C$
 $(f<6:0>) \rightarrow \text{dest}<7:1>$
 $0 \rightarrow \text{dest}<0>$

Status Affected: C, Z

Description: The contents of register 'f' are shifted one bit to the left through the Carry flag. A '0' is shifted into the LSB. If 'd' is '0', the result is placed in W. If 'd' is '1', the result is stored back in register 'f'.



LSRF Logical Right Shift

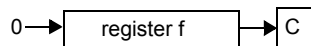
Syntax: `[label] LSRF f{,d}`

Operands: $0 \leq f \leq 127$
 $d \in [0,1]$

Operation: $0 \rightarrow \text{dest}<7>$
 $(f<7:1>) \rightarrow \text{dest}<6:0>$,
 $(f<0>) \rightarrow C$,

Status Affected: C, Z

Description: The contents of register 'f' are shifted one bit to the right through the Carry flag. A '0' is shifted into the MSb. If 'd' is '0', the result is placed in W. If 'd' is '1', the result is stored back in register 'f'.



MOVF Move f

Syntax: `[label] MOVF f,d`

Operands: $0 \leq f \leq 127$
 $d \in [0,1]$

Operation: $(f) \rightarrow (\text{dest})$

Status Affected: Z

Description: The contents of register f is moved to a destination dependent upon the status of d. If $d = 0$, destination is W register. If $d = 1$, the destination is file register f itself. $d = 1$ is useful to test a file register since status flag Z is affected.

Words: 1

Cycles: 1

Example: `MOVF FSR, 0`

After Instruction

W = value in FSR register

Z = 1

MOVIW **Move INDFn to W**

Syntax: `[label] MOVIW ++FSRn`
 `[label] MOVIW --FSRn`
 `[label] MOVIW FSRn++`
 `[label] MOVIW FSRn--`
 `[label] MOVIW k[FSRn]`

Operands: $n \in [0,1]$
 $mm \in [00,01, 10, 11]$
 $-32 \leq k \leq 31$

Operation: INDFn \rightarrow W
 Effective address is determined by

- FSR + 1 (preincrement)
- FSR - 1 (predecrement)
- FSR + k (relative offset)

After the Move, the FSR value will be either:

- FSR + 1 (all increments)
- FSR - 1 (all decrements)
- Unchanged

Status Affected: Z

Mode	Syntax	mm
Preincrement	++FSRn	00
Predecrement	--FSRn	01
Postincrement	FSRn++	10
Postdecrement	FSRn--	11

Description: This instruction is used to move data between W and one of the indirect registers (INDFn). Before/after this move, the pointer (FSRn) is updated by pre/post incrementing/decrementing it.

Note: The INDFn registers are not physical registers. Any instruction that accesses an INDFn register actually accesses the register at the address specified by the FSRn.

FSRn is limited to the range 0000h - FFFFh. Incrementing/decrementing it beyond these bounds will cause it to wrap-around.

MOVLB **Move literal to BSR**

Syntax: `[label] MOVLB k`

Operands: $0 \leq k \leq 31$

Operation: $k \rightarrow$ BSR

Status Affected: None

Description: The 5-bit literal 'k' is loaded into the Bank Select Register (BSR).

MOVLP **Move literal to PCLATH**

Syntax: `[label] MOVLP k`

Operands: $0 \leq k \leq 127$

Operation: $k \rightarrow$ PCLATH

Status Affected: None

Description: The 7-bit literal 'k' is loaded into the PCLATH register.

MOVLW **Move literal to W**

Syntax: `[label] MOVLW k`

Operands: $0 \leq k \leq 255$

Operation: $k \rightarrow$ (W)

Status Affected: None

Description: The 8-bit literal 'k' is loaded into W register. The "don't cares" will assemble as '0's.

Words: 1

Cycles: 1

Example: `MOVLW 0x5A`
 After Instruction
 W = 0x5A

MOVWF **Move W to f**

Syntax: `[label] MOVWF f`

Operands: $0 \leq f \leq 127$

Operation: (W) \rightarrow (f)

Status Affected: None

Description: Move data from W register to register 'f'.

Words: 1

Cycles: 1

Example: `MOVWF OPTION_REG`
 Before Instruction
 OPTION_REG = 0xFF
 W = 0x4F
 After Instruction
 OPTION_REG = 0x4F
 W = 0x4F

PIC16(L)F1777/8/9

MOVWI Move W to INDFn

Syntax: [*label*] MOVWI ++FSRn
 [*label*] MOVWI --FSRn
 [*label*] MOVWI FSRn++
 [*label*] MOVWI FSRn--
 [*label*] MOVWI k[FSRn]

Operands: $n \in [0,1]$
 $mm \in [00,01, 10, 11]$
 $-32 \leq k \leq 31$

Operation: $W \rightarrow \text{INDFn}$
 Effective address is determined by

- FSR + 1 (preincrement)
- FSR - 1 (predecrement)
- FSR + k (relative offset)

After the Move, the FSR value will be either:

- FSR + 1 (all increments)
- FSR - 1 (all decrements)

Unchanged

Status Affected: None

Mode	Syntax	mm
Preincrement	++FSRn	00
Predecrement	--FSRn	01
Postincrement	FSRn++	10
Postdecrement	FSRn--	11

Description: This instruction is used to move data between W and one of the indirect registers (INDFn). Before/after this move, the pointer (FSRn) is updated by pre/post incrementing/decrementing it.

Note: The INDFn registers are not physical registers. Any instruction that accesses an INDFn register actually accesses the register at the address specified by the FSRn.

FSRn is limited to the range 0000h-FFFFh. Incrementing/decrementing it beyond these bounds will cause it to wrap-around.

The increment/decrement operation on FSRn WILL NOT affect any Status bits.

NOP No Operation

Syntax: [*label*] NOP

Operands: None

Operation: No operation

Status Affected: None

Description: No operation.

Words: 1

Cycles: 1

Example: NOP

OPTION Load OPTION_REG Register with W

Syntax: [*label*] OPTION

Operands: None

Operation: $(W) \rightarrow \text{OPTION_REG}$

Status Affected: None

Description: Move data from W register to OPTION_REG register.

Words: 1

Cycles: 1

Example: OPTION

Before Instruction
 OPTION_REG = 0xFF
 W = 0x4F

After Instruction
 OPTION_REG = 0x4F
 W = 0x4F

RESET Software Reset

Syntax: [*label*] RESET

Operands: None

Operation: Execute a device Reset. Resets the $\overline{\text{RI}}$ flag of the PCON register.

Status Affected: None

Description: This instruction provides a way to execute a hardware Reset by software.

RETFIE **Return from Interrupt**

Syntax: `[label] RETFIE k`

Operands: None

Operation: TOS → PC,
 1 → GIE

Status Affected: None

Description: Return from Interrupt. Stack is POPed and Top-of-Stack (TOS) is loaded in the PC. Interrupts are enabled by setting Global Interrupt Enable bit, GIE (INTCON<7>). This is a 2-cycle instruction.

Words: 1

Cycles: 2

Example: `RETFIE`

 After Interrupt

 PC = TOS

 GIE = 1

RETURN **Return from Subroutine**

Syntax: `[label] RETURN`

Operands: None

Operation: TOS → PC

Status Affected: None

Description: Return from subroutine. The stack is POPed and the top of the stack (TOS) is loaded into the program counter. This is a 2-cycle instruction.

RETLW **Return with literal in W**

Syntax: `[label] RETLW k`

Operands: $0 \leq k \leq 255$

Operation: $k \rightarrow (W)$;
 TOS → PC

Status Affected: None

Description: The W register is loaded with the 8-bit literal 'k'. The program counter is loaded from the top of the stack (the return address). This is a 2-cycle instruction.

Words: 1

Cycles: 2

Example: `CALL TABLE;W contains table`
 `;offset value`
 `• ;W now has table value`
 `•`
 `•`
 `ADDWF PC ;W = offset`
 `RETLW k1 ;Begin table`
 `RETLW k2 ;`
 `•`
 `•`
 `•`
 `RETLW kn ; End of table`

TABLE

Before Instruction

 W = 0x07

After Instruction

 W = value of k8

RLF **Rotate Left f through Carry**

Syntax: `[label] RLF f,d`

Operands: $0 \leq f \leq 127$
 $d \in [0,1]$

Operation: See description below

Status Affected: C

Description: The contents of register 'f' are rotated one bit to the left through the Carry flag. If 'd' is '0', the result is placed in the W register. If 'd' is '1', the result is stored back in register 'f'.

Words: 1

Cycles: 1

Example: `RLF REG1,0`

Before Instruction

 REG1 = 1110 0110

 C = 0

After Instruction

 REG1 = 1110 0110

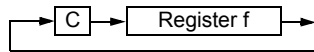
 W = 1100 1100

 C = 1

PIC16(L)F1777/8/9

RRF Rotate Right f through Carry

Syntax: [*label*] RRF *f*,*d*
 Operands: $0 \leq f \leq 127$
 $d \in [0,1]$
 Operation: See description below
 Status Affected: C
 Description: The contents of register 'f' are rotated one bit to the right through the Carry flag. If 'd' is '0', the result is placed in the W register. If 'd' is '1', the result is placed back in register 'f'.



SLEEP Enter Sleep mode

Syntax: [*label*] SLEEP
 Operands: None
 Operation: 00h → WDT,
 0 → WDT prescaler,
 1 → \overline{TO} ,
 0 → \overline{PD}
 Status Affected: \overline{TO} , \overline{PD}
 Description: The power-down Status bit, \overline{PD} is cleared. Time-out Status bit, \overline{TO} is set. Watchdog Timer and its prescaler are cleared. The processor is put into Sleep mode with the oscillator stopped.

SUBLW Subtract W from literal

Syntax: [*label*] SUBLW *k*
 Operands: $0 \leq k \leq 255$
 Operation: $k - (W) \rightarrow (W)$
 Status Affected: C, DC, Z
 Description: The W register is subtracted (2's complement method) from the 8-bit literal 'k'. The result is placed in the W register.

C = 0	$W > k$
C = 1	$W \leq k$
DC = 0	$W\langle 3:0 \rangle > k\langle 3:0 \rangle$
DC = 1	$W\langle 3:0 \rangle \leq k\langle 3:0 \rangle$

SUBWF Subtract W from f

Syntax: [*label*] SUBWF *f*,*d*
 Operands: $0 \leq f \leq 127$
 $d \in [0,1]$
 Operation: $(f) - (W) \rightarrow (\text{destination})$
 Status Affected: C, DC, Z
 Description: Subtract (2's complement method) W register from register 'f'. If 'd' is '0', the result is stored in the W register. If 'd' is '1', the result is stored back in register 'f'.

C = 0	$W > f$
C = 1	$W \leq f$
DC = 0	$W\langle 3:0 \rangle > f\langle 3:0 \rangle$
DC = 1	$W\langle 3:0 \rangle \leq f\langle 3:0 \rangle$

SUBWFB Subtract W from f with Borrow

Syntax: SUBWFB *f*{,*d*}
 Operands: $0 \leq f \leq 127$
 $d \in [0,1]$
 Operation: $(f) - (W) - (\overline{B}) \rightarrow \text{dest}$
 Status Affected: C, DC, Z
 Description: Subtract W and the BORROW flag (CARRY) from register 'f' (2's complement method). If 'd' is '0', the result is stored in W. If 'd' is '1', the result is stored back in register 'f'.

SWAPF **Swap Nibbles in f**

Syntax: [*label*] SWAPF f,d

Operands: $0 \leq f \leq 127$
 $d \in [0,1]$

Operation: ($f<3:0>$) \rightarrow (destination $<7:4>$),
 ($f<7:4>$) \rightarrow (destination $<3:0>$)

Status Affected: None

Description: The upper and lower nibbles of register 'f' are exchanged. If 'd' is '0', the result is placed in the W register. If 'd' is '1', the result is placed in register 'f'.

TRIS **Load TRIS Register with W**

Syntax: [*label*] TRIS f

Operands: $5 \leq f \leq 7$

Operation: (W) \rightarrow TRIS register 'f'

Status Affected: None

Description: Move data from W register to TRIS register.
 When 'f' = 5, TRISA is loaded.
 When 'f' = 6, TRISB is loaded.
 When 'f' = 7, TRISC is loaded.

XORLW **Exclusive OR literal with W**

Syntax: [*label*] XORLW k

Operands: $0 \leq k \leq 255$

Operation: (W) .XOR. k \rightarrow (W)

Status Affected: Z

Description: The contents of the W register are XOR'ed with the 8-bit literal 'k'. The result is placed in the W register.

XORWF **Exclusive OR W with f**

Syntax: [*label*] XORWF f,d

Operands: $0 \leq f \leq 127$
 $d \in [0,1]$

Operation: (W) .XOR. (f) \rightarrow (destination)

Status Affected: Z

Description: Exclusive OR the contents of the W register with register 'f'. If 'd' is '0', the result is stored in the W register. If 'd' is '1', the result is stored back in register 'f'.

PIC16(L)F1777/8/9

36.0 ELECTRICAL SPECIFICATIONS

36.1 Absolute Maximum Ratings^(†)

Ambient temperature under bias	-40°C to +125°C
Storage temperature	-65°C to +150°C
Voltage on pins with respect to V _{SS}	
on V _{DD} pin	
PIC16F1777/8/9	-0.3V to +6.5V
PIC16LF1777/8/9	-0.3V to +4.0V
on MCLR pin	-0.3V to +9.0V
on all other pins	-0.3V to (V _{DD} + 0.3V)
Maximum current	
on V _{SS} pin ⁽¹⁾	
-40°C ≤ T _A ≤ +85°C	350 mA
-40°C ≤ T _A ≤ +125°C	120 mA
on V _{DD} pin ⁽¹⁾ PIC16(L)F1778 only	
-40°C ≤ T _A ≤ +85°C	250 mA
-40°C ≤ T _A ≤ +125°C	85 mA
on V _{DD} pin ⁽¹⁾ PIC16(L)F1777/9 only	
-40°C ≤ T _A ≤ +85°C	350 mA
-40°C ≤ T _A ≤ +125°C	120 mA
Sunk by any standard I/O pin	50 mA
Sourced by any standard I/O pin	50 mA
Sunk by any High Current I/O pin	100 mA
Sourced by any High Current I/O pin	100 mA
Sourced by any Op Amp output pin	100 mA
Clamp current, I _K (V _{PIN} < 0 or V _{PIN} > V _{DD})	±20 mA
Total power dissipation ⁽²⁾	800 mW

Note 1: Maximum current rating requires even load distribution across I/O pins. Maximum current rating may be limited by the device package power dissipation characterizations, see [Table 36-6: Thermal Characteristics](#) to calculate device specifications.

2: Power dissipation is calculated as follows:

$$P_{dis} = V_{DD} * \{I_{dd} - \sum I_{oh}\} + \sum \{V_{DD} - V_{oh}\} * I_{oh} + \sum \{V_{ol} * I_{ol}\}.$$

† NOTICE: Stresses above those listed under “Absolute Maximum Ratings” may cause permanent damage to the device. This is a stress rating only and functional operation of the device at those or any other conditions above those indicated in the operation listings of this specification is not implied. Exposure above maximum rating conditions for extended periods may affect device reliability.

36.2 Standard Operating Conditions

The standard operating conditions for any device are defined as:

Operating Voltage: $V_{DDMIN} \leq V_{DD} \leq V_{DDMAX}$

Operating Temperature: $T_{A_MIN} \leq T_A \leq T_{A_MAX}$

V_{DD} — Operating Supply Voltage⁽¹⁾

PIC16LF1777/8/9

V_{DDMIN} (F_{osc} ≤ 16 MHz) +1.8V

V_{DDMIN} (F_{osc} > 16 MHz) +2.5V

V_{DDMAX} +3.6V

PIC16F1777/8/9

V_{DDMIN} (F_{osc} ≤ 16 MHz) +2.3V

V_{DDMIN} (F_{osc} > 16 MHz) +2.5V

V_{DDMAX} +5.5V

T_A — Operating Ambient Temperature Range

Industrial Temperature

T_{A_MIN} -40°C

T_{A_MAX} +85°C

Extended Temperature

T_{A_MIN} -40°C

T_{A_MAX} +125°C

Note 1: See Parameter [D001](#), DS Characteristics: Supply Voltage.

PIC16(L)F1777/8/9

FIGURE 36-1: VOLTAGE FREQUENCY GRAPH, $-40^{\circ}\text{C} \leq T_A \leq +125^{\circ}\text{C}$, PIC16F1777/8/9 ONLY



FIGURE 36-2: VOLTAGE FREQUENCY GRAPH, $-40^{\circ}\text{C} \leq T_A \leq +125^{\circ}\text{C}$, PIC16LF1777/8/9 ONLY



36.3 DC Characteristics

TABLE 36-1: SUPPLY VOLTAGE

PIC16LF1777/8/9		Standard Operating Conditions (unless otherwise stated)					
PIC16F1777/8/9							
Param. No.	Sym.	Characteristic	Min.	Typ†	Max.	Units	Conditions
D001	VDD	Supply Voltage					
			VDDMIN	—	VDDMAX		
			1.8	—	3.6	V	Fosc ≤ 16 MHz
			2.5	—	3.6	V	Fosc ≤ 32 MHz
D001		PIC16F1777/8/9	2.3	—	5.5	V	Fosc ≤ 16 MHz
			2.5	—	5.5	V	Fosc ≤ 32 MHz
D002*	VDR	RAM Data Retention Voltage⁽¹⁾					
			1.5	—	—	V	Device in Sleep mode
D002*			1.7	—	—	V	Device in Sleep mode
D002A*	VPOR	Power-on Reset Release Voltage					
			—	1.6	—	V	
D002A*			—	1.6	—	V	
D002B*	VPORR*	Power-on Reset Rearm Voltage⁽²⁾					
			—	0.8	—	V	
D002B*			—	1.5	—	V	
D003	VFVR	Fixed Voltage Reference Voltage⁽³⁾	-4	—	+4	%	1x gain, 1.024, VDD ≥ 2.5V, -40°C to +85°C
			-4	—	+4	%	2x gain, 2.048, VDD ≥ 2.5V, -40°C to +85°C
			-7	—	+7	%	4x gain, 4.096, VDD ≥ 4.5V, -40°C to +85°C
D004*	SVDD	VDD Rise Rate	0.05	—	—	V/ms	Ensures that the Power-on Reset signal is released properly.

* These parameters are characterized but not tested.

† Data in "Typ" column is at 3.0V, 25°C unless otherwise stated. These parameters are for design guidance only and are not tested.

Note 1: This is the limit to which VDD can be lowered in Sleep mode without losing RAM data.

Note 2: See [Figure 36-3: POR and POR Rearm with Slow Rising VDD](#).

Note 3: Industrial temperature range only.

PIC16(L)F1777/8/9

FIGURE 36-3: POR AND POR REARM WITH SLOW RISING V_{DD}



TABLE 36-2: SUPPLY CURRENT (IDD)^(1,2)

PIC16LF1777/8/9		Standard Operating Conditions (unless otherwise stated)					
PIC16F1777/8/9							
Param No.	Device Characteristics	Min.	Typ†	Max.	Units	Conditions	
						VDD	Note
D009	LDO Regulator	—	75	—	μA	—	High-Power mode, normal operation
		—	15	—	μA	—	Sleep, VREGCON<1> = 0
		—	0.3	—	μA	—	Sleep, VREGCON<1> = 1
D010		—	8	25	μA	1.8	Fosc = 32 kHz, LP Oscillator mode (Note 4), -40°C ≤ TA ≤ +85°C
		—	12	30	μA	3.0	
D010		—	21	30	μA	2.3	Fosc = 32 kHz, LP Oscillator mode (Note 4,5) -40°C ≤ TA ≤ +85°C
		—	25	34	μA	3.0	
		—	26	35	μA	5.0	
D012		—	210	440	μA	1.8	Fosc = 4 MHz, XT Oscillator mode
		—	390	620	μA	3.0	
D012		—	320	530	μA	2.3	Fosc = 4 MHz, XT Oscillator mode (Note 5)
		—	430	680	μA	3.0	
		—	530	790	μA	5.0	
D014		—	170	380	μA	1.8	Fosc = 4 MHz, External Clock (ECM), Medium Power mode
		—	320	550	μA	3.0	
D014		—	250	513	μA	2.3	Fosc = 4 MHz, External Clock (ECM), Medium Power mode
		—	360	645	μA	3.0	
		—	430	735	μA	5.0	
D015		—	2.5	3.8	mA	3.0	Fosc = 32 MHz, External Clock (ECH), High-Power mode (Note 5)
		—	3.1	4.0	mA	3.6	
D015		—	2.5	4.3	mA	3.0	Fosc = 32 MHz, External Clock (ECH), High-Power mode (Note 5)
		—	2.7	4.6	mA	5.0	

† Data in “Typ” column is at 3.0V, 25°C unless otherwise stated. These parameters are for design guidance only and are not tested.

- Note 1:** The test conditions for all IDD measurements in active operation mode are: OSC1 = external square wave, from rail-to-rail; all I/O pins tri-stated, pulled to VDD; MCLR = VDD; WDT disabled.
- Note 2:** The supply current is mainly a function of the operating voltage and frequency. Other factors, such as I/O pin loading and switching rate, oscillator type, internal code execution pattern and temperature, also have an impact on the current consumption.
- Note 3:** For EXTRC oscillator configurations, current through REXT is not included. The current through the resistor can be extended by the formula $I_R = V_{DD}/2R_{EXT}$ (mA) with REXT in kΩ.
- Note 4:** FVR and BOR are disabled.
- Note 5:** 8 MHz crystal/oscillator with 4x PLL enabled.

PIC16(L)F1777/8/9

TABLE 36-2: SUPPLY CURRENT (IDD)^(1,2) (CONTINUED)

PIC16LF1777/8/9		Standard Operating Conditions (unless otherwise stated)					
PIC16F1777/8/9							
Param No.	Device Characteristics	Min.	Typ†	Max.	Units	Conditions	
						VDD	Note
D017		—	115	190	μA	1.8	Fosc = 500 kHz, MFINTOSC mode
		—	145	320	μA	3.0	
D017		—	160	215	μA	2.3	Fosc = 500 kHz, MFINTOSC mode
		—	180	340	μA	3.0	
		—	230	420	μA	5.0	
D019		—	0.9	1.5	mA	1.8	Fosc = 16 MHz, HFINTOSC mode
		—	1.5	2.3	mA	3.0	
D019		—	1.2	2.0	mA	2.3	Fosc = 16 MHz, HFINTOSC mode
		—	1.5	2.5	mA	3.0	
		—	1.7	2.6	mA	5.0	
D020		—	2.9	4.2	mA	3.0	Fosc = 32 MHz, HFINTOSC mode (Note 5)
		—	3.5	4.3	mA	3.6	
D020		—	2.9	4.2	mA	3.0	Fosc = 32 MHz, HFINTOSC mode (Note 5)
		—	3.0	5.0	mA	5.0	
D022		—	2.8	4	mA	3.0	Fosc = 32 MHz, HS Oscillator mode (Note 5)
		—	3.4	4.7	mA	3.6	
D022		—	2.9	4	mA	3.0	Fosc = 32 MHz HS Oscillator mode (Note 5)
		—	3.1	4.5	mA	5.0	

† Data in "Typ" column is at 3.0V, 25°C unless otherwise stated. These parameters are for design guidance only and are not tested.

- Note**
- 1: The test conditions for all IDD measurements in active operation mode are: OSC1 = external square wave, from rail-to-rail; all I/O pins tri-stated, pulled to VDD; MCLR = VDD; WDT disabled.
 - 2: The supply current is mainly a function of the operating voltage and frequency. Other factors, such as I/O pin loading and switching rate, oscillator type, internal code execution pattern and temperature, also have an impact on the current consumption.
 - 3: For EXTRC oscillator configurations, current through REXT is not included. The current through the resistor can be extended by the formula $I_R = V_{DD}/2R_{EXT}$ (mA) with REXT in kΩ.
 - 4: FVR and BOR are disabled.
 - 5: 8 MHz crystal/oscillator with 4x PLL enabled.

TABLE 36-3: POWER-DOWN CURRENTS (IPD)^(1,2)

PIC16LF1777/8/9		Operating Conditions: (unless otherwise stated) Low-Power Sleep Mode						
PIC16F1777/8/9		Low-Power Sleep Mode, VREGPM = 1						
Param No.	Device Characteristics	Min.	Typ†	Max. +85°C	Max. +125°C	Units	Conditions	
							VDD	Note
D023	Base IPD	—	0.05	1.0	8.0	μA	1.8	WDT, BOR, FVR, and SOSC disabled, all Peripherals Inactive
		—	0.08	2.0	9.0	μA	3.0	
D023	Base IPD	—	0.3	2.4	10	μA	2.3	WDT, BOR, FVR, and SOSC disabled, all Peripherals Inactive, Low-Power Sleep mode
		—	0.4	4	12	μA	3.0	
		—	0.5	6	15	μA	5.0	
D023A	Base IPD	—	9.8	17	28	μA	2.3	WDT, BOR, FVR and SOSC disabled, all Peripherals inactive, Normal Power Sleep mode VREGPM = 0
		—	10.3	20	40	μA	3.0	
		—	11.5	22	44	μA	5.0	
D024		—	0.5	6	14	μA	1.8	WDT Current
		—	0.8	7	17	μA	3.0	
D024		—	0.8	6	15	μA	2.3	WDT Current
		—	0.9	7	20	μA	3.0	
		—	1.0	8	22	μA	5.0	
D025		—	15	28	30	μA	1.8	FVR Current (ADC)
		—	24	35	38	μA	3.0	
D025		—	18	33	35	μA	2.3	FVR Current (ADC)
		—	24	35	40	μA	3.0	
		—	26	37	44	μA	5.0	
D025A		—	25	50	55	μA	1.8	FVR Current (DAC)
		—	30	65	70	μA	3.0	
D025A		—	30	55	66	μA	2.3	FVR Current (DAC)
		—	32	68	82	μA	3.0	
		—	35	77	90	μA	5.0	
D026		—	7.5	25	28	μA	3.0	BOR Current
D026		—	10	25	28	μA	3.0	BOR Current
		—	12	28	31	μA	5.0	
D027		—	0.5	4	10	μA	3.0	LPBOR Current
D027		—	0.8	6	15	μA	3.0	LPBOR Current
		—	1	8	17	μA	5.0	
D028		—	0.5	5	9	μA	1.8	SOSC Current
		—	0.8	8.5	12	μA	3.0	
D028		—	1.1	6	10	μA	2.3	SOSC Current
		—	1.3	8.5	20	μA	3.0	
		—	1.4	10	25	μA	5.0	

* These parameters are characterized but not tested.

† Data in "Typ" column is at 3.0V, 25°C unless otherwise stated. These parameters are for design guidance only and are not tested.

- Note 1:** The peripheral current is the sum of the base IPD and the additional current consumed when this peripheral is enabled. The peripheral Δ current can be determined by subtracting the base IDD or IPD current from this limit. Max values should be used when calculating total current consumption.
- 2:** The power-down current in Sleep mode does not depend on the oscillator type. Power-down current is measured with the part in Sleep mode, with all I/O pins in high-impedance state and tied to Vss.
- 3:** ADC clock source is FRC.

PIC16(L)F1777/8/9

TABLE 36-3: POWER-DOWN CURRENTS (IPD)^(1,2) (CONTINUED)

PIC16LF1777/8/9		Operating Conditions: (unless otherwise stated) Low-Power Sleep Mode						
PIC16F1777/8/9		Low-Power Sleep Mode, VREGPM = 1						
Param No.	Device Characteristics	Min.	Typ†	Max. +85°C	Max. +125°C	Units	Conditions	
							VDD	Note
D029		—	0.05	2	9	μA	1.8	ADC Current (Note 3), no conversion in progress
		—	0.08	3	10	μA	3.0	
D029		—	0.3	4	12	μA	2.3	ADC Current (Note 3), no conversion in progress
		—	0.4	5	13	μA	3.0	
		—	0.5	7	16	μA	5.0	
D030		—	250	—	—	μA	1.8	ADC Current (Note 3), conversion in progress
		—	250	—	—	μA	3.0	
D030		—	280	—	—	μA	2.3	ADC Current (Note 3), conversion in progress
		—	280	—	—	μA	3.0	
		—	280	—	—	μA	5.0	
D031		—	250	650	—	μA	3.0	Op Amp (High power)
D031		—	250	650	—	μA	3.0	Op Amp (High power)
		—	350	850	—	μA	5.0	
D032		—	250	600	—	μA	1.8	Comparator, CxSP = 0
		—	300	650	—	μA	3.0	
D032		—	280	600	—	μA	2.3	Comparator, CxSP = 0 VREGPM = 0
		—	300	650	—	μA	3.0	
		—	310	650	—	μA	5.0	

* These parameters are characterized but not tested.

† Data in "Typ" column is at 3.0V, 25°C unless otherwise stated. These parameters are for design guidance only and are not tested.

- Note 1:** The peripheral current is the sum of the base IPD and the additional current consumed when this peripheral is enabled. The peripheral Δ current can be determined by subtracting the base IDD or IPD current from this limit. Max values should be used when calculating total current consumption.
- Note 2:** The power-down current in Sleep mode does not depend on the oscillator type. Power-down current is measured with the part in Sleep mode, with all I/O pins in high-impedance state and tied to Vss.
- Note 3:** ADC clock source is FRC.

TABLE 36-4: I/O PORTS

Standard Operating Conditions (unless otherwise stated)								
Param No.	Sym.	Characteristic	Min.	Typ†	Max.	Units	Conditions	
D034 D034A D035 D036 D036A	V _{IL}	Input Low Voltage						
		I/O PORT:						
		with TTL buffer	—	—	0.8	V	4.5V ≤ V _{DD} ≤ 5.5V	
		with Schmitt Trigger buffer	—	—	0.15 V _{DD}	V	1.8V ≤ V _{DD} ≤ 4.5V	
		with I ² C levels	—	—	0.2 V _{DD}	V	2.0V ≤ V _{DD} ≤ 5.5V	
		with SMBus levels	—	—	0.8	V	2.7V ≤ V _{DD} ≤ 5.5V	
		MCLR, OSC1 (EXTRC mode)	—	—	0.2 V _{DD}	V	(Note 1)	
D040 D040A D041 D042 D043A D043B	V _{IH}	Input High Voltage						
I/O ports:								
with TTL buffer		2.0	—	—	V	4.5V ≤ V _{DD} ≤ 5.5V		
with Schmitt Trigger buffer		0.25 V _{DD} + 0.8	—	—	V	1.8V ≤ V _{DD} ≤ 4.5V		
with I ² C levels		0.8 V _{DD}	—	—	V	2.0V ≤ V _{DD} ≤ 5.5V		
with SMBus levels		0.7 V _{DD}	—	—	V			
MCLR		2.1	—	—	V	2.7V ≤ V _{DD} ≤ 5.5V		
OSC1 (HS mode)	0.8 V _{DD}	—	—	V				
OSC1 (EXTRC oscillator)	0.7 V _{DD}	—	—	V				
D060 D061	I _{IL}	Input Leakage Current⁽²⁾						
I/O Ports		—	± 5	± 125	nA	V _{SS} ≤ V _{PIN} ≤ V _{DD} , Pin at high-impedance, 85°C		
MCLR ⁽³⁾		—	± 5	± 1000	nA	V _{SS} ≤ V _{PIN} ≤ V _{DD} , Pin at high-impedance, 125°C		
D070*	I _{PUR}	Weak Pull-up Current						
		25	100	200	μA	V _{DD} = 3.3V, V _{PIN} = V _{SS}		
D080 D080A	V _{OL}	Output Low Voltage⁽⁴⁾						
		Standard I/O ports	—	—	0.6	V	I _{OL} = 8mA, V _{DD} = 5V I _{OL} = 6mA, V _{DD} = 3.3V I _{OL} = 1.8mA, V _{DD} = 1.8V	
		High Drive I/O ports	—	—	0.6	V	I _{OH} = 10mA, V _{DD} = 2.3V, H _{IDC} x = 1 I _{OH} = 32mA, V _{DD} = 3.0V, H _{IDC} x = 1 I _{OH} = 51mA, V _{DD} = 5.0V, H _{IDC} x = 1	
D090 D090A	V _{OH}	Output High Voltage⁽⁴⁾						
		Standard I/O ports	V _{DD} - 0.7	—	—	V	I _{OH} = 3.5mA, V _{DD} = 5V I _{OH} = 3mA, V _{DD} = 3.3V I _{OH} = 1mA, V _{DD} = 1.8V	
		High Drive I/O ports	V _{DD} - 0.7	—	—	V	I _{OH} = 10mA, V _{DD} = 2.3V, H _{IDC} x = 1 I _{OH} = 37mA, V _{DD} = 3.0V, H _{IDC} x = 1 I _{OH} = 54mA, V _{DD} = 5.0V, H _{IDC} x = 1	

* These parameters are characterized but not tested.

† Data in "Typ" column is at 3.0V, 25°C unless otherwise stated. These parameters are for design guidance only and are not tested.

Note 1: In EXTRC oscillator configuration, the OSC1/CLKIN pin is a Schmitt Trigger input. It is not recommended to use an external clock in EXTRC mode.

2: Negative current is defined as current sourced by the pin.

3: The leakage current on the MCLR pin is strongly dependent on the applied voltage level. The specified levels represent normal operating conditions. Higher leakage current may be measured at different input voltages.

4: Including OSC2 in CLKOUT mode.

PIC16(L)F1777/8/9

TABLE 36-4: I/O PORTS (CONTINUED) (CONTINUED)

Standard Operating Conditions (unless otherwise stated)							
Param No.	Sym.	Characteristic	Min.	Typ†	Max.	Units	Conditions
Capacitive Loading Specs on Output Pins							
D101*	COSC2	OSC2 pin	—	—	15	pF	In XT, HS and LP modes when external clock is used to drive OSC1
D101A*	Cio	All I/O pins	—	—	50	pF	

* These parameters are characterized but not tested.

† Data in “Typ” column is at 3.0V, 25°C unless otherwise stated. These parameters are for design guidance only and are not tested.

- Note 1:** In EXTRC oscillator configuration, the OSC1/CLKIN pin is a Schmitt Trigger input. It is not recommended to use an external clock in EXTRC mode.
- 2:** Negative current is defined as current sourced by the pin.
- 3:** The leakage current on the MCLR pin is strongly dependent on the applied voltage level. The specified levels represent normal operating conditions. Higher leakage current may be measured at different input voltages.
- 4:** Including OSC2 in CLKOUT mode.

TABLE 36-5: MEMORY PROGRAMMING SPECIFICATIONS

Standard Operating Conditions (unless otherwise stated)							
Param No.	Sym.	Characteristic	Min.	Typ†	Max.	Units	Conditions
		Program Memory Programming Specifications					
D110	V _{IHH}	Voltage on $\overline{\text{MCLR}}/\text{VPP}$ pin	8.0	—	9.0	V	(Note 2, Note 3)
D111	I _{DDP}	Supply Current during Programming	—	—	10	mA	
D112	V _{BE}	V _{DD} for Bulk Erase	2.7	—	V _{DDMAX}	V	
D113	V _{PEW}	V _{DD} for Write or Row Erase	V _{DDMIN}	—	V _{DDMAX}	V	
D114	I _{PPPGM}	Current on $\overline{\text{MCLR}}/\text{VPP}$ during Erase/Write	—	1.0	—	mA	
D115	I _{DDPGM}	Current on V _{DD} during Erase/Write	—	5.0	—	mA	
		Program Flash Memory					
D121	EP	Cell Endurance	10K	—	—	E/W	-40°C ≤ T _A ≤ +85°C (Note 1)
D122	V _{PRW}	V _{DD} for Read/Write	V _{DDMIN}	—	V _{DDMAX}	V	
D123	T _{IW}	Self-timed Write Cycle Time	—	2	2.5	ms	Provided no other specifications are violated
D124	T _{RETD}	Characteristic Retention	—	40	—	Year	
D125	E _{HEFC}	High-Endurance Flash Cell	100K	—	—	E/W	-0°C ≤ T _A ≤ +60°C, Lower byte last 128 addresses

† Data in “Typ” column is at 3.0V, 25°C unless otherwise stated. These parameters are for design guidance only and are not tested.

Note 1: Self-write and Block Erase.

2: Required only if single-supply programming is disabled.

3: The MPLAB ICD 2 does not support variable V_{PP} output. Circuitry to limit the ICD 2 V_{PP} voltage must be placed between the ICD 2 and target system when programming or debugging with the ICD 2.

PIC16(L)F1777/8/9

TABLE 36-6: THERMAL CHARACTERISTICS

Standard Operating Conditions (unless otherwise stated)

Param No.	Sym.	Characteristic	Typ.	Units	Conditions
TH01	θJA	Thermal Resistance Junction to Ambient	60.0	°C/W	28-pin SPDIP package
			80.0	°C/W	28-pin SOIC package
			90.0	°C/W	28-pin SSOP package
			48	°C/W	28-pin UQFN 4x4mm package
			47.2	°C/W	40-pin PDIP package
			46.0	°C/W	44-pin TQFP package
			41.0	°C/W	40-pin UQFN 5x5mm package
TH02	θJC	Thermal Resistance Junction to Case	31.4	°C/W	28-pin SPDIP package
			24	°C/W	28-pin SOIC package
			24	°C/W	28-pin SSOP package
			12	°C/W	28-pin UQFN 4x4mm package
			24.70	°C/W	40-pin PDIP package
			14.5	°C/W	44-pin TQFP package
			5.5	°C/W	40-pin UQFN 5x5mm package
TH03	TJMAX	Maximum Junction Temperature	150	°C	
TH04	PD	Power Dissipation	—	W	PD = PINTERNAL + PI/O
TH05	PINTERNAL	Internal Power Dissipation	—	W	PINTERNAL = IDD x VDD ⁽¹⁾
TH06	PI/O	I/O Power Dissipation	—	W	PI/O = Σ (IOL * VOL) + Σ (IOH * (VDD - VOH))
TH07	PDER	Derated Power	—	W	PDER = PDMAX (TJ - TA)/θJA ⁽²⁾

Note 1: IDD is current to run the chip alone without driving any load on the output pins.

2: TA = Ambient Temperature, TJ = Junction Temperature

36.4 AC Characteristics

Timing Parameter Symbology has been created with one of the following formats:

1. TppS2ppS
2. TppS

T			
F	Frequency	T	Time

Lowercase letters (pp) and their meanings:

pp			
cc	CCP1	osc	OSC1
ck	CLKOUT	rd	\overline{RD}
cs	\overline{CS}	rw	\overline{RD} or \overline{WR}
di	SDI	sc	SCK
do	SDO	ss	\overline{SS}
dt	Data in	t0	T0CKI
io	I/O PORT	t1	T1CKI
mc	\overline{MCLR}	wr	\overline{WR}

Uppercase letters and their meanings:

S			
F	Fall	P	Period
H	High	R	Rise
I	Invalid (High-impedance)	V	Valid
L	Low	Z	High-impedance

FIGURE 36-4: LOAD CONDITIONS



PIC16(L)F1777/8/9

FIGURE 36-5: CLOCK TIMING

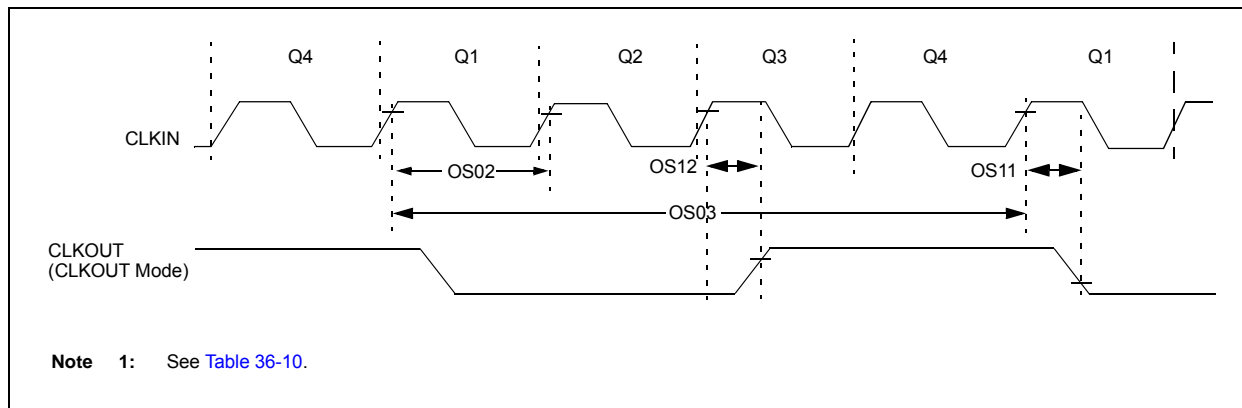


TABLE 36-7: CLOCK OSCILLATOR TIMING REQUIREMENTS

Standard Operating Conditions (unless otherwise stated)

Param No.	Sym.	Characteristic	Min.	Typ†	Max.	Units	Conditions
OS01	Fosc	External CLKIN Frequency ⁽¹⁾	DC	—	0.5	MHz	External Clock (ECL)
			DC	—	4	MHz	External Clock (ECM)
			DC	—	32	MHz	External Clock (ECH)
	Oscillator Frequency ⁽¹⁾	—	32.768	—	kHz	LP Oscillator	
		0.1	—	4	MHz	XT Oscillator	
1		—	4	MHz	HS Oscillator		
1		—	20	MHz	HS Oscillator, V _{DD} > 2.7V		
OS02	Tosc	External CLKIN Period ⁽¹⁾	27	—	∞	μs	LP Oscillator
			250	—	∞	ns	XT Oscillator
			50	—	∞	ns	HS Oscillator
			50	—	∞	ns	External Clock (EC)
	Oscillator Period ⁽¹⁾	—	30.5	—	μs	LP Oscillator	
250	—	10,000	ns	XT Oscillator			
50	—	1,000	ns	HS Oscillator			
31.25	—	—	ns	EXTRC			
OS03	Tcy	Instruction Cycle Time ⁽¹⁾	125	Tcy	DC	ns	Tcy = 4/Fosc
OS04*	TosH, TosL	External CLKIN High, External CLKIN Low	2	—	—	μs	LP Oscillator
			100	—	—	ns	XT Oscillator
			20	—	—	ns	HS Oscillator
OS05*	TosR, TosF	External CLKIN Rise, External CLKIN Fall	0	—	∞	ns	LP Oscillator
			0	—	∞	ns	XT Oscillator
			0	—	∞	ns	HS Oscillator

* These parameters are characterized but not tested.

† Data in "Typ" column is at 3.0V, 25°C unless otherwise stated. These parameters are for design guidance only and are not tested.

Note 1: Instruction cycle period (Tcy) equals four times the input oscillator time base period. All specified values are based on characterization data for that particular oscillator type under standard operating conditions with the device executing code. Exceeding these specified limits may result in an unstable oscillator operation and/or higher than expected current consumption. All devices are tested to operate at "min" values with an external clock applied to OSC1 pin. When an external clock input is used, the "max" cycle time limit is "DC" (no clock) for all devices.

TABLE 36-8: OSCILLATOR PARAMETERS

Standard Operating Conditions (unless otherwise stated)								
Param No.	Sym.	Characteristic	Freq. Tolerance	Min.	Typ†	Max.	Units	Conditions
OS08	HFOSC	Internal Calibrated HFINTOSC Frequency ⁽¹⁾	±2%	—	16.0	—	MHz	V _{DD} = 3.0V, T _A = 25°C, (Note 2)
OS08A	MFOSC	Internal Calibrated MFINTOSC Frequency ⁽¹⁾	±2%	—	500	—	kHz	V _{DD} = 3.0V, T _A = 25°C, (Note 2)
OS09	LFOSC	Internal LFINTOSC Frequency	—	—	31	—	kHz	-40°C ≤ T _A ≤ +125°C
OS10*	TWARM	HFINTOSC	—	—	3.2	8	μs	
		Wake-up from Sleep Start-up Time	—	—	24	35	μs	
	MFINTOSC	—	—	24	35	μs		
	Wake-up from Sleep Start-up Time	—	—	0.5	—	ms		
TLFOSC ST	LFINTOSC	—	—	0.5	—	ms		
		Wake-up from Sleep Start-up Time	—	—	0.5	—	ms	

* These parameters are characterized but not tested.

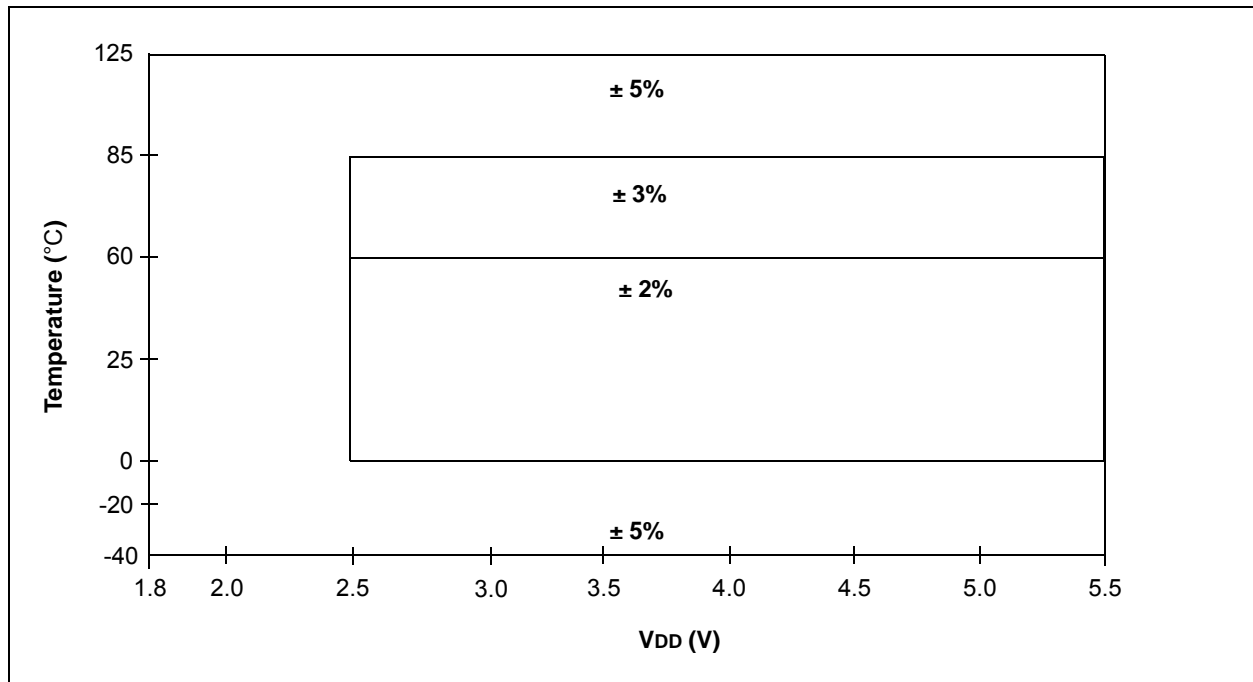
† Data in “Typ” column is at 3.0V, 25°C unless otherwise stated. These parameters are for design guidance only and are not tested.

Note 1: To ensure these oscillator frequency tolerances, V_{DD} and V_{SS} must be capacitively decoupled as close to the device as possible. 0.1 μF and 0.01 μF values in parallel are recommended.

2: See [Figure 36-6: HFINTOSC Frequency Accuracy Over Device V_{DD} and Temperature](#), [Figure 37-75: Wake From Sleep, VREGPM = 0.](#), and [Figure 36-6: HFINTOSC Frequency Accuracy Over Device V_{DD} and Temperature](#).

3: See [Figure 37-58: LFINTOSC Frequency, PIC16LF1777/8/9 Only.](#), and [Figure 37-59: LFINTOSC Frequency, PIC16F1777/8/9 Only.](#)

FIGURE 36-6: HFINTOSC FREQUENCY ACCURACY OVER DEVICE V_{DD} AND TEMPERATURE



PIC16(L)F1777/8/9

TABLE 36-9: PLL CLOCK TIMING SPECIFICATIONS

Standard Operating Conditions (unless otherwise stated)							
Param No.	Sym.	Characteristic	Min.	Typ†	Max.	Units	Conditions
F10	FOSC	Oscillator Frequency Range	4	—	8	MHz	
F11	FSYS	On-Chip VCO System Frequency	16	—	32	MHz	
F12	TRC	PLL Start-up Time (Lock Time)	—	—	2	ms	
F13*	Δ CLK	CLKOUT Stability (Jitter)	-0.25%	—	+0.25%	%	

* These parameters are characterized but not tested.

† Data in “Typ” column is at 5V, 25°C unless otherwise stated. These parameters are for design guidance only and are not tested.

FIGURE 36-7: CLKOUT AND I/O TIMING



TABLE 36-10: CLKOUT AND I/O TIMING PARAMETERS

Standard Operating Conditions (unless otherwise stated)							
Param No.	Sym.	Characteristic	Min.	Typ†	Max.	Units	Conditions
OS11	TosH2ckL	Fosc↑ to CLKOUT↓ ⁽¹⁾	—	—	70	ns	3.3V ≤ VDD ≤ 5.0V
OS12	TosH2ckH	Fosc↑ to CLKOUT↑ ⁽¹⁾	—	—	72	ns	3.3V ≤ VDD ≤ 5.0V
OS13	TckL2ioV	CLKOUT↓ to Port out valid ⁽¹⁾	—	—	20	ns	
OS14	TioV2ckH	Port input valid before CLKOUT↑ ⁽¹⁾	Tosc + 200 ns	—	—	ns	
OS15	TosH2ioV	Fosc↑ (Q1 cycle) to Port out valid	—	50	70*	ns	3.3V ≤ VDD ≤ 5.0V
OS16	TosH2ioL	Fosc↑ (Q2 cycle) to Port input invalid (I/O in hold time)	50	—	—	ns	3.3V ≤ VDD ≤ 5.0V
OS17	TioV2osH	Port input valid to Fosc↑ (Q2 cycle) (I/O in setup time)	20	—	—	ns	
OS18*	TioR	Port output rise time ⁽²⁾	—	40 15	72 32	ns	VDD = 1.8V 3.3V ≤ VDD ≤ 5.0V
OS19*	TioF	Port output fall time ⁽²⁾	—	28 15	55 30	ns	VDD = 1.8V 3.3V ≤ VDD ≤ 5.0V
OS20*	Tinp	INT pin input high or low time	25	—	—	ns	
OS21*	Tioc	Interrupt-on-change new input level time	25	—	—	ns	

* These parameters are characterized but not tested.

† Data in "Typ" column is at 3.0V, 25°C unless otherwise stated.

Note 1: Measurements are taken in EXTRC mode where CLKOUT output is 4 x Tosc.

Note 2: Slew rate limited.

PIC16(L)F1777/8/9

FIGURE 36-8: RESET, WATCHDOG TIMER, OSCILLATOR START-UP TIMER AND POWER-UP TIMER TIMING

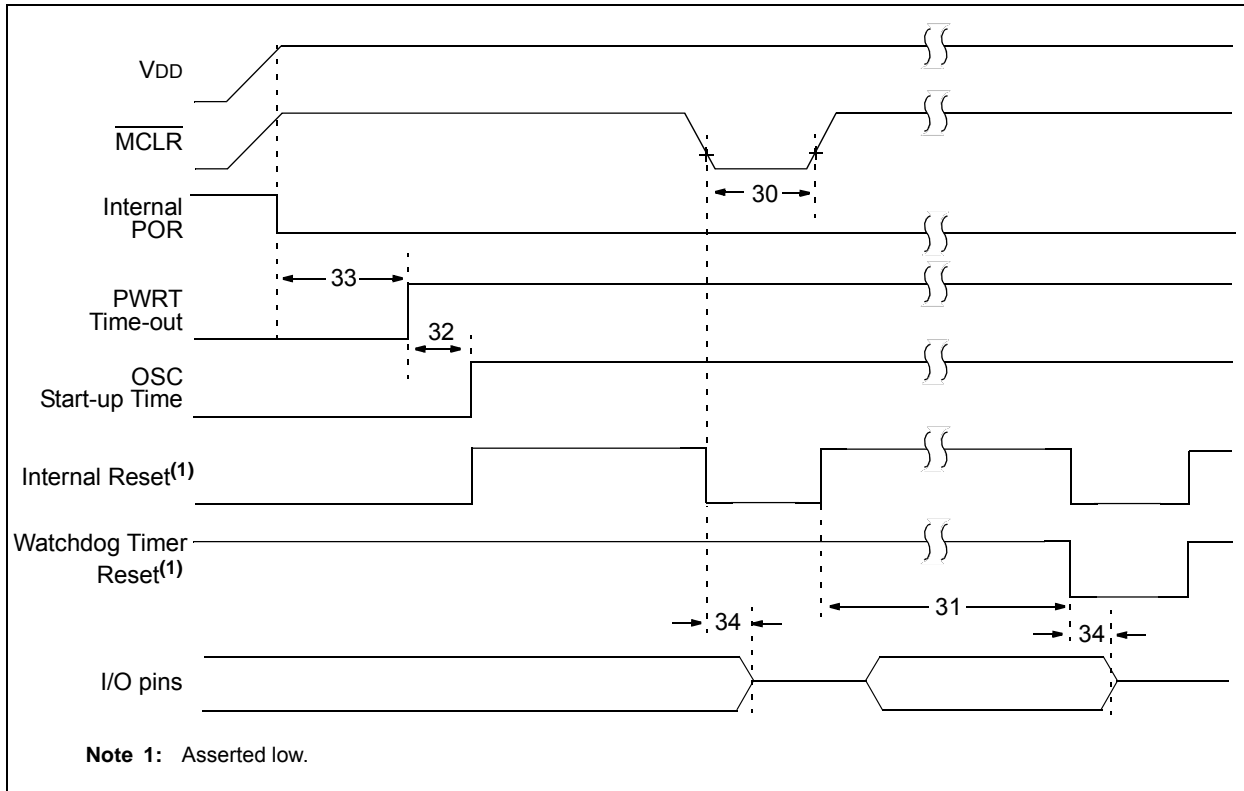


TABLE 36-11: RESET, WATCHDOG TIMER, OSCILLATOR START-UP TIMER, POWER-UP TIMER AND BROWN-OUT RESET PARAMETERS

Standard Operating Conditions (unless otherwise stated)							
Param No.	Sym.	Characteristic	Min.	Typ†	Max.	Units	Conditions
30	TMCL	MCLR Pulse Width (low)	2	—	—	μs	
31	TWDTLP	Low-Power Watchdog Timer Time-out Period	10	16	27	ms	V _{DD} = 3.3V-5V 1:512 Prescaler used
32	TOST	Oscillator Start-up Timer Period ⁽¹⁾	—	1024	—	T _{OSC}	
33*	TPWRT	Power-up Timer Period, $\overline{\text{PWRT}} = 0$	40	65	140	ms	
34*	TIOZ	I/O high-impedance from MCLR Low or Watchdog Timer Reset	—	—	2.0	μs	
35	VBOR	Brown-out Reset Voltage ⁽²⁾	2.55	2.70	2.85	V	BORV = 0
			2.30	2.45	2.60	V	BORV = 1 (PIC16F1777/8/9)
			1.80	1.90	2.10	V	BORV = 1 (PIC16LF1777/8/9)
35A	VLPBOR	Low-Power Brown-out	1.8	2.1	2.5	V	LPBOR = 1
36*	VHYST	Brown-out Reset Hysteresis	0	25	75	mV	-40°C ≤ T _A ≤ +85°C
37*	TBORDC	Brown-out Reset DC Response Time	1	3	35	μs	V _{DD} ≤ V _{BOR}

* These parameters are characterized but not tested.

† Data in "Typ" column is at 3.0V, 25°C unless otherwise stated. These parameters are for design guidance only and are not tested.

Note 1: By design, the Oscillator Start-up Timer (OST) counts the first 1024 cycles, independent of frequency.

2: To ensure these voltage tolerances, V_{DD} and V_{SS} must be capacitively decoupled as close to the device as possible. 0.1 μF and 0.01 μF values in parallel are recommended.

PIC16(L)F1777/8/9

FIGURE 36-9: TIMER0 AND TIMER1 EXTERNAL CLOCK TIMINGS



FIGURE 36-10: BROWN-OUT RESET TIMING AND CHARACTERISTICS



TABLE 36-12: TIMER0 AND TIMER1 EXTERNAL CLOCK REQUIREMENTS

Standard Operating Conditions (unless otherwise stated)								
Operating Temperature $-40^{\circ}\text{C} \leq T_A \leq +125^{\circ}\text{C}$								
Param No.	Sym.	Characteristic		Min.	Typ†	Max.	Units	Conditions
40*	Tt0H	T0CKI High Pulse Width	No Prescaler	$0.5 T_{CY} + 20$	—	—	ns	
			With Prescaler	10	—	—	ns	
41*	Tt0L	T0CKI Low Pulse Width	No Prescaler	$0.5 T_{CY} + 20$	—	—	ns	
			With Prescaler	10	—	—	ns	
42*	Tt0P	T0CKI Period		Greater of: 20 or $\frac{T_{CY} + 40}{N}$	—	—	ns	N = prescale value
45*	Tt1H	T1CKI High Time	Synchronous, No Prescaler	$0.5 T_{CY} + 20$	—	—	ns	
			Synchronous, with Prescaler	15	—	—	ns	
			Asynchronous	30	—	—	ns	
46*	Tt1L	T1CKI Low Time	Synchronous, No Prescaler	$0.5 T_{CY} + 20$	—	—	ns	
			Synchronous, with Prescaler	15	—	—	ns	
			Asynchronous	30	—	—	ns	
47*	Tt1P	T1CKI Input Period	Synchronous	Greater of: 30 or $(T_{CY} + 40) * N$	—	—	ns	N = prescale value
			Asynchronous	60	—	—	ns	
48	Ft1	Secondary Oscillator Input Frequency Range (oscillator enabled by setting bit T1OSCEN)		32.4	32.768	33.1	kHz	
49*	TCKEZTMR1	Delay from External Clock Edge to Timer Increment		$2 T_{OSC}$	—	$7 T_{OSC}$	—	Timers in Sync mode

* These parameters are characterized but not tested.

† Data in "Typ" column is at 3.0V, 25°C unless otherwise stated. These parameters are for design guidance only and are not tested.

PIC16(L)F1777/8/9

FIGURE 36-11: CAPTURE/COMPARE/PWM TIMINGS (CCP)



TABLE 36-13: CAPTURE/COMPARE/PWM REQUIREMENTS (CCP)

Standard Operating Conditions (unless otherwise stated)								
Param No.	Sym.	Characteristic		Min.	Typ†	Max.	Units	Conditions
CC01*	TccL	CCPx Input Low Time	No Prescaler	$0.5T_{CY} + 20$	—	—	ns	
			With Prescaler	20	—	—	ns	
CC02*	TccH	CCPx Input High Time	No Prescaler	$0.5T_{CY} + 20$	—	—	ns	
			With Prescaler	20	—	—	ns	
CC03*	TccP	CCPx Input Period		$(3T_{CY} + 40) * N$	—	—	ns	N = prescale value

* These parameters are characterized but not tested.

† Data in "Typ" column is at 3.0V, 25°C unless otherwise stated. These parameters are for design guidance only and are not tested.

FIGURE 36-12: CLC PROPAGATION TIMING



TABLE 36-14: CONFIGURATION LOGIC CELL (CLC) CHARACTERISTICS

Standard Operating Conditions (unless otherwise stated)								
Operating temperature $-40^{\circ}\text{C} \leq T_A \leq +125^{\circ}\text{C}$								
Param. No.	Sym.	Characteristic	Min.	Typ†	Max.	Units	Conditions	
CLC01*	TCLCIN	CLC input time	—	7	OS17	ns	(Note 1)	
CLC02*	TCLC	CLC module input to output propagation time	—	24 12	—	ns ns	$V_{DD} = 1.8\text{V}$ $V_{DD} > 3.6\text{V}$	
CLC03*	TCLCOUT	CLC output time	Rise Time	—	OS18	—	ns	(Note 1)
			Fall Time	—	OS19	—	ns	(Note 1)
CLC04*	FCLCMAX	CLC maximum switching frequency	—	45	—	MHz		

* These parameters are characterized but not tested.

† Data in "Typ" column is at 3.0V, 25°C unless otherwise stated. These parameters are for design guidance only and are not tested.

Note 1: See [Table 36-10](#) for OS17, OS18 and OS19 rise and fall times.

PIC16(L)F1777/8/9

TABLE 36-15: ANALOG-TO-DIGITAL CONVERTER (ADC) CHARACTERISTICS^(1,2,3,4):

Operating Conditions (unless otherwise stated) V _{DD} = 3.0V, T _A = 25°C, Single-ended, 2 μs TAD, V _{REF+} = 3V, V _{REF-} = V _{SS}							
Param No.	Sym.	Characteristic	Min.	Typ†	Max.	Units	Conditions
AD01	NR	Resolution	—	—	10	bit	
AD02	EIL	Integral Error	—	—	±1.7	LSb	V _{REF} = 3.0V
AD03	EDL	Differential Error	—	—	±1	LSb	No missing codes, V _{REF} = 3.0V
AD04	EOFF	Offset Error	—	—	±2.5	LSb	V _{REF} = 3.0V
AD05	EGN	Gain Error	—	—	±2.0	LSb	V _{REF} = 3.0V
AD06	VREF	Reference Voltage	1.8	—	V _{DD}	V	V _{REF} = (V _{REF+} minus V _{REF-})
AD07	VAIN	Full-Scale Range	V _{SS}	—	V _{REF}	V	
AD08	ZAIN	Recommended Impedance of Analog Voltage Source	—	—	10	kΩ	Can go higher if external 0.01μF capacitor is present on input pin.

* These parameters are characterized but not tested.

† Data in “Typ” column is at 3.0V, 25°C unless otherwise stated. These parameters are for design guidance only and are not tested.

Note 1: Total Absolute Error includes integral, differential, offset and gain errors.

2: The ADC conversion result never decreases with an increase in the input voltage and has no missing codes.

3: ADC V_{REF} is from external V_{REF+} pin, V_{DD} pin or FVR, whichever is selected as reference input.

4: See [Section 31.0 “DC and AC Characteristics Graphs and Charts”](#) for operating characterization.

TABLE 36-16: ADC CONVERSION REQUIREMENTS

Standard Operating Conditions (unless otherwise stated)							
Param No.	Sym.	Characteristic	Min.	Typ†	Max.	Units	Conditions
AD130*	TAD	ADC Clock Period (T _{ADC})	1.0	—	9.0	μs	FOSC-based
		ADC Internal FRC Oscillator Period (TFRC)	1.0	2.5	6.0	μs	ADCS<1:0> = 11 (ADC FRC mode)
AD131	TCNV	Conversion Time (not including Acquisition Time) ⁽¹⁾	—	13	—	TAD	Set GO/DONE bit to conversion complete
AD132*	TACQ	Acquisition Time	—	5.0	—	μs	
AD133*	THCD	Holding Capacitor Disconnect Time	—	1/2 TAD	—		ADCS<2:0> ≠ x11 (FOSC-based)
			—	1/2 TAD + 1T _{CY}	—		ADCS<2:0> = x11 (FRC-based)

* These parameters are characterized but not tested.

† Data in “Typ” column is at 3.0V, 25°C unless otherwise stated. These parameters are for design guidance only and are not tested.

Note 1: The ADRES register may be read on the following T_{CY} cycle.

FIGURE 36-13: ADC CONVERSION TIMING (ADC CLOCK Fosc-BASED)



FIGURE 36-14: ADC CONVERSION TIMING (ADC CLOCK FROM FRC)



PIC16(L)F1777/8/9

TABLE 36-17: OPERATIONAL AMPLIFIER (OPA)

Operating Conditions (unless otherwise stated) V _{DD} = 3.0V, T _A = 25°C, OPAxSP = 1 (High GBWP mode)							
Param No.	Symbol	Parameters	Min.	Typ.	Max.	Units	Conditions
OPA01*	GBWP	Gain Bandwidth Product	—	3.5	—	MHz	
OPA02*	TON	Turn-on Time	—	10	—	μs	
OPA03*	PM	Phase Margin	—	40	—	degrees	
OPA04*	SR	Slew Rate	—	3	—	V/μs	
OPA05	OFF	Offset	—	±3	±9	mV	
OPA06	CMRR	Common-Mode Rejection Ratio	52	70	—	dB	
OPA07*	AOL	Open Loop Gain	—	90	—	dB	
OPA08	VICM	Input Common-Mode Voltage	0	—	V _{DD}	V	V _{DD} > 2.5V
OPA09*	PSRR	Power Supply Rejection Ratio	—	80	—	dB	
OPA10*	HZ	High-Impedance On/Off Time	—	50	—	ns	

* These parameters are characterized but not tested.

TABLE 36-18: PROGRAMMABLE RAMP GENERATOR (PRG) SPECIFICATIONS

Operating Conditions (unless otherwise stated) V _{DD} = 3.0V, T _A = 25°C (unless otherwise stated)							
Param No.	Sym.	Characteristics	Min.	Typ.	Max.	Units	Comments
PRG01	RRR	Rising Ramp Rate ⁽¹⁾	—	1	—	V/μs	PRGxCON2 = 10h
PRG02	FRR	Falling Ramp Rate ⁽¹⁾	—	1	—	V/μs	PRGxCON2 = 10h

* These parameters are characterized but not tested.

Note 1: Response time measured with one comparator input at V_{DD}/2, while the other input transitions from V_{SS} to V_{DD}.

TABLE 36-19: COMPARATOR SPECIFICATIONS

Operating Conditions (unless otherwise stated) V _{DD} = 3.0V, T _A = 25°C See Section 31.0 “DC and AC Characteristics Graphs and Charts” for operating characterization.							
Param No.	Sym.	Characteristics	Min.	Typ.	Max.	Units	Comments
CM01	VIOFF	Input Offset Voltage	—	±2.5	±5	mV	V _{ICM} = V _{DD} /2
CM02	VICM	Input Common-Mode Voltage	0	—	V _{DD}	V	
CM03	CMRR	Common-Mode Rejection Ratio	40	50	—	dB	
CM04A	T _{resp} ⁽¹⁾	Response Time Rising Edge	—	60	125	ns	CxSP = 1
CM04B		Response Time Falling Edge	—	60	110	ns	CxSP = 1
CM04C		Response Time Rising Edge	—	85	—	ns	CxSP = 0
CM04D		Response Time Falling Edge	—	85	—	ns	CxSP = 0
CM05	TMC2OV	Comparator Mode Change to Output Valid*	—	—	10	μs	
CM06	CHYSTER	Comparator Hysteresis	20	45	75	mV	CxHYS = 1

* These parameters are characterized but not tested.

Note 1: Response time measured with one comparator input at V_{DD}/2, while the other input transitions from V_{SS} to V_{DD}.

TABLE 36-20: 10-BIT DIGITAL-TO-ANALOG CONVERTER (DAC) SPECIFICATIONS

Operating Conditions (unless otherwise stated)							
V _{DD} = 3.0V, T _A = 25°C							
See Section 31.0 “DC and AC Characteristics Graphs and Charts” for operating characterization.							
Param No.	Sym.	Characteristics	Min.	Typ.	Max.	Units	Comments
DAC01*	CLSB	Step Size	—	V _{DD} /1024	—	V	
DAC02	CINL	Integral Error ⁽²⁾	—	—	± 2.0	LSb	For codes 0x004 to 0x3FB
DAC03	CDNL	Differential Error ⁽²⁾	—	—	± 1	LSb	
DAC04	COFF	Offset Error ⁽²⁾	—	—	± 3	LSb	
DAC05	CGN	Gain Error ⁽²⁾	—	—	± 3	LSb	
DAC06*	CR	Unit Resistor Value (R)	—	300	—	Ω	
DAC07*	CST	Settling Time ⁽¹⁾	—	—	10	μs	

* These parameters are characterized but not tested.

Note 1: Settling time measured while DACR<9:0> transitions from '0x000' to '0x3FF'.

2: Buffered by op amp in unity gain.

TABLE 36-21: 5-BIT DIGITAL-TO-ANALOG CONVERTER (DAC) SPECIFICATIONS

Operating Conditions (unless otherwise stated)							
V _{DD} = 3.0V, T _A = 25°C							
See Section 31.0 “DC and AC Characteristics Graphs and Charts” for operating characterization.							
Param No.	Sym.	Characteristics	Min.	Typ.	Max.	Units	Comments
DAC10*	CLSB	Step Size	—	V _{DD} /32	—	V	
DAC11	CACC	Absolute Accuracy ⁽²⁾	—	—	± 0.5	LSb	
DAC12*	CR	Unit Resistor Value (R)	—	6000	—	Ω	
DAC13*	CST	Settling Time ⁽¹⁾	—	—	10	μs	

* These parameters are characterized but not tested.

Note 1: Settling time measured while DACR<4:0> transitions from '0x00' to '0x1F'.

2: Buffered by op amp in unity gain.

TABLE 36-22: ZERO CROSS PIN SPECIFICATIONS

Operating Conditions (unless otherwise stated)							
V _{DD} = 3.0V, T _A = 25°C							
Param. No.	Sym.	Characteristics	Min.	Typ.	Max.	Units	Comments
ZC01	ZCPINV	Voltage on Zero Cross Pin	—	0.75	—	V	
ZC02	ZCDRV	Maximum source or sink current	—	—	600	μA	
ZC04	ZCISW	Response Time Rising Edge	—	1	—	μs	
		Response Time Falling Edge	—	1	—	μs	
ZC05	ZCOUT	Response Time Rising Edge	—	1	—	μs	
		Response Time Falling Edge	—	1	—	μs	

* These parameters are characterized but not tested.

PIC16(L)F1777/8/9

FIGURE 36-15: EUSART SYNCHRONOUS TRANSMISSION (MASTER/SLAVE) TIMING



TABLE 36-23: EUSART SYNCHRONOUS TRANSMISSION REQUIREMENTS

Standard Operating Conditions (unless otherwise stated)						
Param. No.	Symbol	Characteristic	Min.	Max.	Units	Conditions
US120	TCKH2DTV	SYNC XMIT (Master and Slave) Clock high to data-out valid	—	80	ns	$3.0V \leq V_{DD} \leq 5.5V$
			—	100	ns	$1.8V \leq V_{DD} \leq 5.5V$
US121	TCKRF	Clock out rise time and fall time (Master mode)	—	45	ns	$3.0V \leq V_{DD} \leq 5.5V$
			—	50	ns	$1.8V \leq V_{DD} \leq 5.5V$
US122	TDTRF	Data-out rise time and fall time	—	45	ns	$3.0V \leq V_{DD} \leq 5.5V$
			—	50	ns	$1.8V \leq V_{DD} \leq 5.5V$

FIGURE 36-16: EUSART SYNCHRONOUS RECEIVE (MASTER/SLAVE) TIMING



TABLE 36-24: EUSART SYNCHRONOUS RECEIVE REQUIREMENTS

Standard Operating Conditions (unless otherwise stated)						
Param. No.	Symbol	Characteristic	Min.	Max.	Units	Conditions
US125	TDTV2CKL	SYNC RCV (Master and Slave) Data-setup before CK ↓ (DT hold time)	10	—	ns	
US126	TCKL2DTL	Data-hold after CK ↓ (DT hold time)	15	—	ns	

FIGURE 36-17: SPI MASTER MODE TIMING (CKE = 0, SMP = 0)

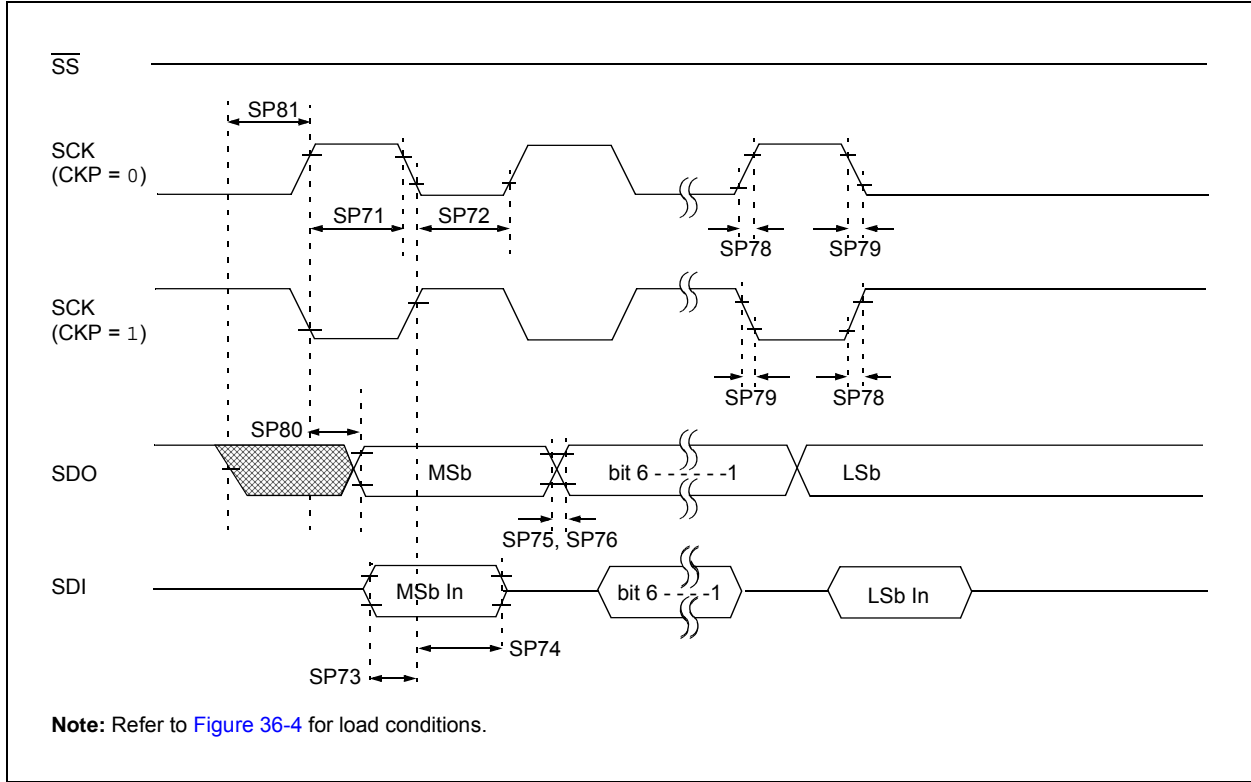
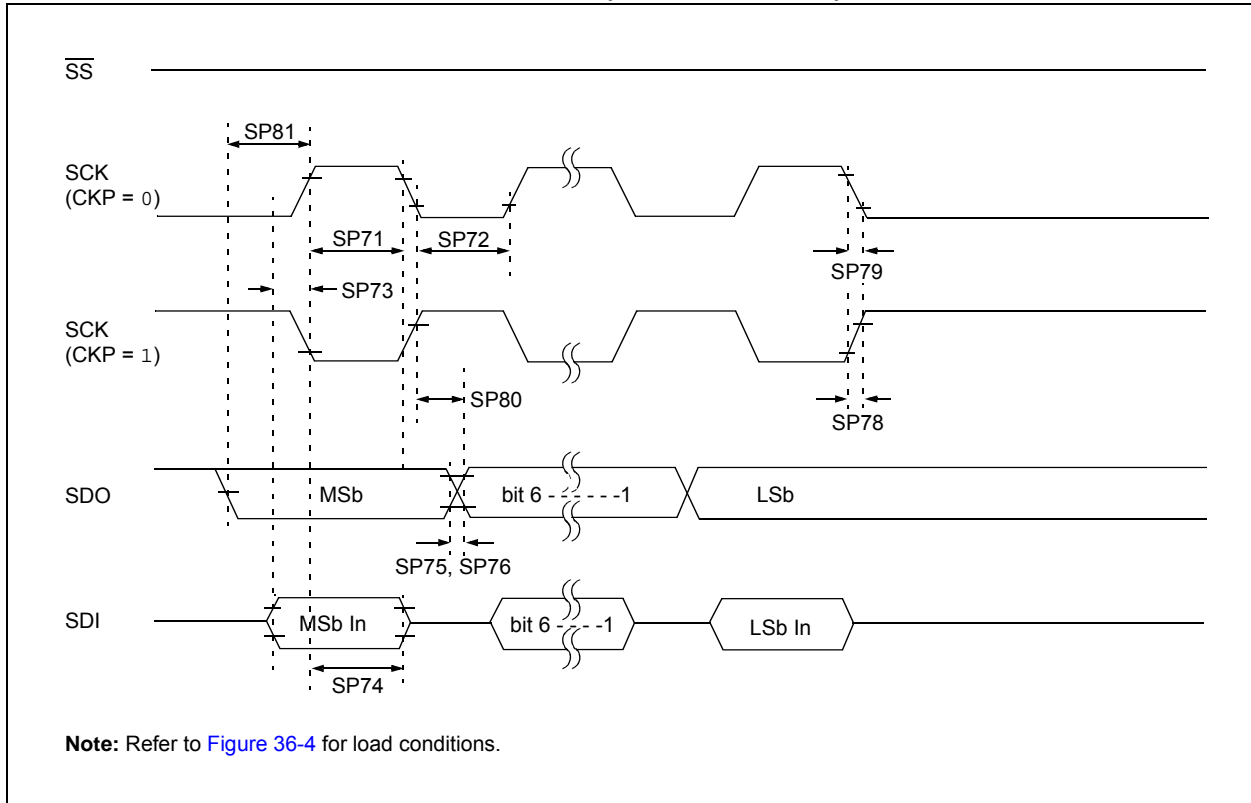


FIGURE 36-18: SPI MASTER MODE TIMING (CKE = 1, SMP = 1)



PIC16(L)F1777/8/9

FIGURE 36-19: SPI SLAVE MODE TIMING (CKE = 0)



FIGURE 36-20: SPI SLAVE MODE TIMING (CKE = 1)



TABLE 36-25: SPI MODE REQUIREMENTS

Standard Operating Conditions (unless otherwise stated)							
Param No.	Symbol	Characteristic	Min.	Typ†	Max.	Units	Conditions
SP70*	TssL2sCH, TssL2sCL	$\overline{SS}\downarrow$ to SCK \downarrow or SCK \uparrow input	2.25 T _{CY}	—	—	ns	
SP71*	TsCH	SCK input high time (Slave mode)	T _{CY} + 20	—	—	ns	
SP72*	TsCL	SCK input low time (Slave mode)	T _{CY} + 20	—	—	ns	
SP73*	TdIV2sCH, TdIV2sCL	Setup time of SDI data input to SCK edge	100	—	—	ns	
SP74*	TsCH2dIL, TsCL2dIL	Hold time of SDI data input to SCK edge	100	—	—	ns	
SP75*	TdoR	SDO data output rise time	—	10	25	ns	3.0V ≤ V _{DD} ≤ 5.5V
			—	25	50	ns	1.8V ≤ V _{DD} ≤ 5.5V
SP76*	TdoF	SDO data output fall time	—	10	25	ns	
SP77*	TssH2doZ	$\overline{SS}\uparrow$ to SDO output high-impedance	10	—	50	ns	
SP78*	TscR	SCK output rise time (Master mode)	—	10	25	ns	3.0V ≤ V _{DD} ≤ 5.5V
			—	25	50	ns	1.8V ≤ V _{DD} ≤ 5.5V
SP79*	TscF	SCK output fall time (Master mode)	—	10	25	ns	
SP80*	TsCH2doV, TsCL2doV	SDO data output valid after SCK edge	—	—	50	ns	3.0V ≤ V _{DD} ≤ 5.5V
			—	—	145	ns	1.8V ≤ V _{DD} ≤ 5.5V
SP81*	TdoV2sCH, TdoV2sCL	SDO data output setup to SCK edge	1 T _{cy}	—	—	ns	
SP82*	TssL2doV	SDO data output valid after $\overline{SS}\downarrow$ edge	—	—	50	ns	
SP83*	TsCH2ssH, TsCL2ssH	$\overline{SS}\uparrow$ after SCK edge	1.5 T _{CY} + 40	—	—	ns	

* These parameters are characterized but not tested.

† Data in “Typ” column is at 3.0V, 25°C unless otherwise stated. These parameters are for design guidance only and are not tested.

PIC16(L)F1777/8/9

FIGURE 36-21: I²C BUS START/STOP BITS TIMING

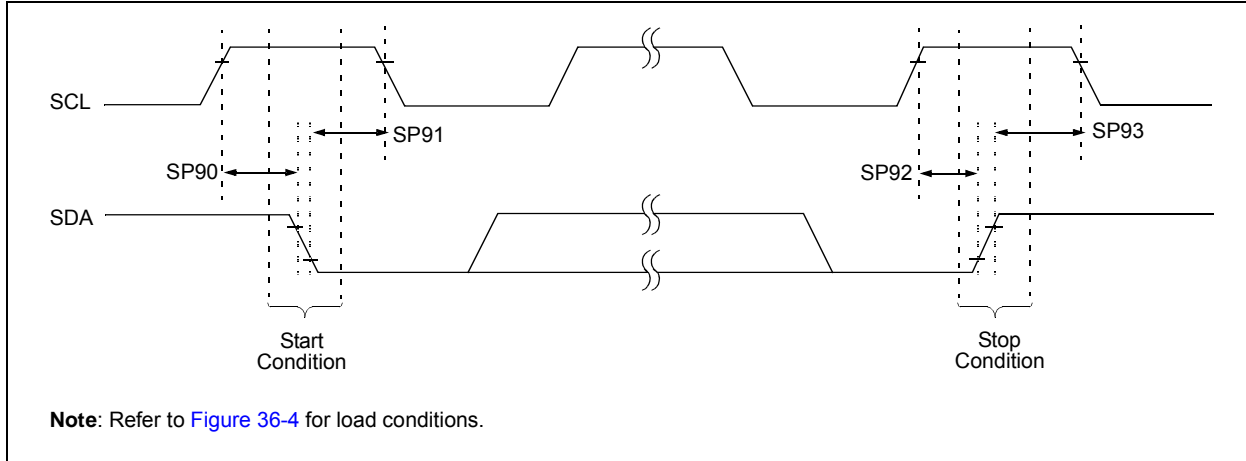


TABLE 36-26: I²C BUS START/STOP BITS REQUIREMENTS

Standard Operating Conditions (unless otherwise stated)								
Param No.	Symbol	Characteristic		Min.	Typ.	Max.	Units	Conditions
SP90*	TSU:STA	Start condition	100 kHz mode	4700	—	—	ns	Only relevant for Repeated Start condition
		Setup time	400 kHz mode	600	—	—		
SP91*	THD:STA	Start condition	100 kHz mode	4000	—	—	ns	After this period, the first clock pulse is generated
		Hold time	400 kHz mode	600	—	—		
SP92*	TSU:STO	Stop condition	100 kHz mode	4700	—	—	ns	
		Setup time	400 kHz mode	600	—	—		
SP93	THD:STO	Stop condition	100 kHz mode	4000	—	—	ns	
		Hold time	400 kHz mode	600	—	—		

* These parameters are characterized but not tested.

FIGURE 36-22: I²C BUS DATA TIMING

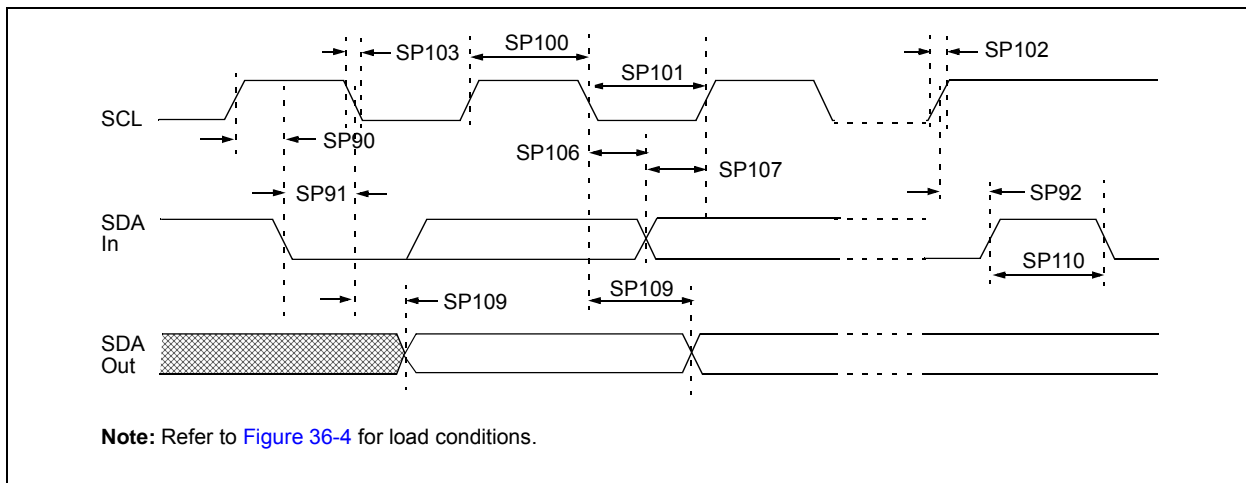


TABLE 36-27: I²C BUS DATA REQUIREMENTS

Standard Operating Conditions (unless otherwise stated)							
Param. No.	Symbol	Characteristic		Min.	Max.	Units	Conditions
SP100*	THIGH	Clock high time	100 kHz mode	4.0	—	μs	Device must operate at a minimum of 1.5 MHz
			400 kHz mode	0.6	—	μs	Device must operate at a minimum of 10 MHz
			SSP module	1.5T _{cy}	—		
SP101*	TLOW	Clock low time	100 kHz mode	4.7	—	μs	Device must operate at a minimum of 1.5 MHz
			400 kHz mode	1.3	—	μs	Device must operate at a minimum of 10 MHz
			SSP module	1.5T _{cy}	—		
SP102*	TR	SDA and SCL rise time	100 kHz mode	—	1000	ns	
			400 kHz mode	20 + 0.1C _B	300	ns	C _B is specified to be from 10-400 pF
SP103*	TF	SDA and SCL fall time	100 kHz mode	—	250	ns	
			400 kHz mode	20 + 0.1C _B	250	ns	C _B is specified to be from 10-400 pF
SP106*	THD:DAT	Data input hold time	100 kHz mode	0	—	ns	
			400 kHz mode	0	0.9	μs	
SP107*	TSU:DAT	Data input setup time	100 kHz mode	250	—	ns	(Note 2)
			400 kHz mode	100	—	ns	
SP109*	TAA	Output valid from clock	100 kHz mode	—	3500	ns	(Note 1)
			400 kHz mode	—	—	ns	
SP110*	TBUF	Bus free time	100 kHz mode	4.7	—	μs	Time the bus must be free before a new transmission can start
			400 kHz mode	1.3	—	μs	
SP111	C _B	Bus capacitive loading		—	400	pF	

* These parameters are characterized but not tested.

- Note 1:** As a transmitter, the device must provide this internal minimum delay time to bridge the undefined region (min. 300 ns) of the falling edge of SCL to avoid unintended generation of Start or Stop conditions.
- 2:** A Fast mode (400 kHz) I²C bus device can be used in a Standard mode (100 kHz) I²C bus system, but the requirement TSU:DAT ≥ 250 ns must then be met. This will automatically be the case if the device does not stretch the low period of the SCL signal. If such a device does stretch the low period of the SCL signal, it must output the next data bit to the SDA line TR max. + TSU:DAT = 1000 + 250 = 1250 ns (according to the Standard mode I²C bus specification), before the SCL line is released.

PIC16(L)F1777/8/9

NOTES:

37.0 DC AND AC CHARACTERISTICS GRAPHS AND CHARTS

The graphs and tables provided in this section are for **design guidance** and are **not tested**.

In some graphs or tables, the data presented are **outside specified operating range** (i.e., outside specified V_{DD} range). This is for **information only** and devices are ensured to operate properly only within the specified range.

Unless otherwise noted, all graphs apply to both the L and LF devices.

<p>Note: The graphs and tables provided following this note are a statistical summary based on a limited number of samples and are provided for informational purposes only. The performance characteristics listed herein are not tested or guaranteed. In some graphs or tables, the data presented may be outside the specified operating range (e.g., outside specified power supply range) and therefore, outside the warranted range.</p>
--

“**Typical**” represents the mean of the distribution at 25°C. “**Maximum**”, “**Max.**”, “**Minimum**” or “**Min.**” represents (mean + 3 σ) or (mean - 3 σ) respectively, where σ is a standard deviation, over each temperature range.

PIC16(L)F1777/8/9

Note: Unless otherwise noted, $V_{IN} = 5V$, $F_{OSC} = 300\text{ kHz}$, $C_{IN} = 0.1\ \mu F$, $T_A = 25^\circ C$.



FIGURE 37-1: I_{DD} , LP Oscillator Mode, $F_{osc} = 32\text{ kHz}$, PIC16LF1777/8/9 Only.

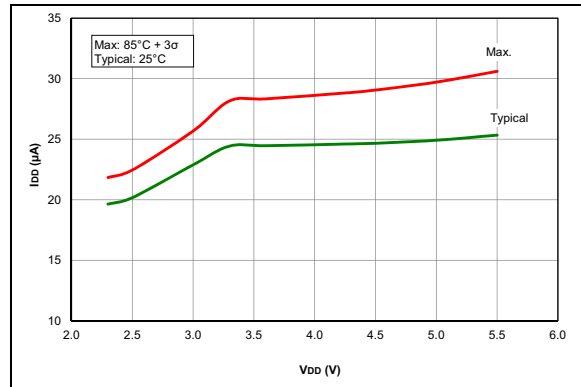


FIGURE 37-2: I_{DD} , LP Oscillator Mode, $F_{osc} = 32\text{ kHz}$, PIC16LF1777/8/9 Only.



FIGURE 37-3: I_{DD} Typical, XT and EXTRC Oscillator, PIC16LF1777/8/9 Only.



FIGURE 37-4: I_{DD} Maximum, XT and EXTRC Oscillator, PIC16LF1777/8/9 Only.

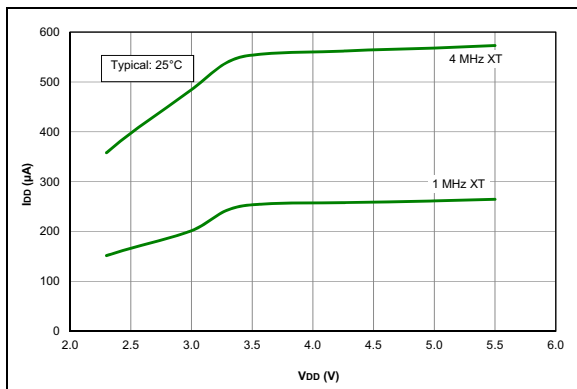


FIGURE 37-5: I_{DD} Typical, XT and EXTRC Oscillator, PIC16LF1777/8/9 Only.



FIGURE 37-6: I_{DD} Maximum, XT and EXTRC Oscillator, PIC16LF1777/8/9 Only.

PIC16(L)F1777/8/9

Note: Unless otherwise noted, $V_{IN} = 5V$, $F_{OSC} = 300\text{ kHz}$, $C_{IN} = 0.1\ \mu F$, $T_A = 25^\circ C$.

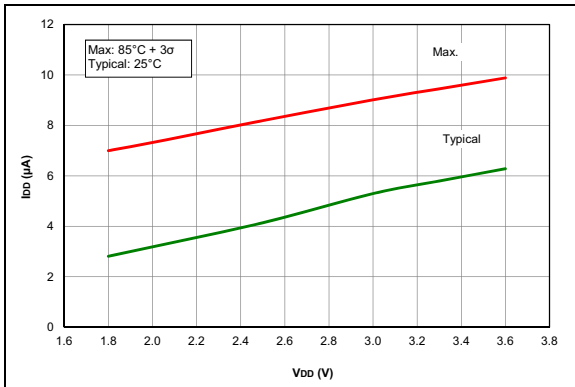


FIGURE 37-7: I_{DD} , EC Oscillator LP Mode, $F_{osc} = 32\text{ kHz}$, PIC16LF1777/8/9 Only.

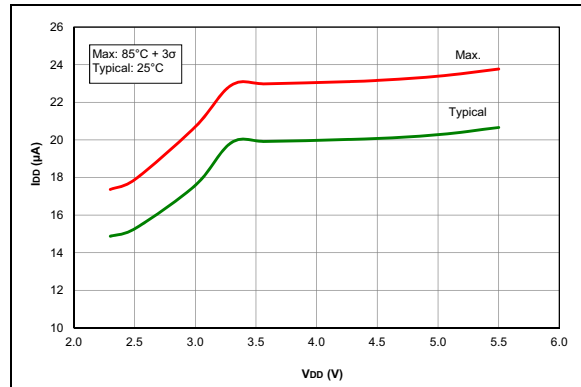


FIGURE 37-8: I_{DD} , EC Oscillator LP Mode, $F_{osc} = 32\text{ kHz}$, PIC16LF1777/8/9 Only.



FIGURE 37-9: I_{DD} , EC Oscillator LP Mode, $F_{osc} = 500\text{ kHz}$, PIC16LF1777/8/9 Only.



FIGURE 37-10: I_{DD} , EC Oscillator LP Mode, $F_{osc} = 500\text{ kHz}$, PIC16LF1777/8/9 Only.



FIGURE 37-11: I_{DD} Typical, EC Oscillator MP Mode, PIC16LF1777/8/9 Only.



FIGURE 37-12: I_{DD} Maximum, EC Oscillator MP Mode, PIC16LF1777/8/9 Only.

PIC16(L)F1777/8/9

Note: Unless otherwise noted, $V_{IN} = 5V$, $F_{OSC} = 300\text{ kHz}$, $C_{IN} = 0.1\ \mu F$, $T_A = 25^\circ C$.



FIGURE 37-13: I_{DD} Typical, EC Oscillator MP Mode, PIC16F1777/8/9 Only.



FIGURE 37-14: I_{DD} Maximum, EC Oscillator MP Mode, PIC16F1777/8/9 Only.

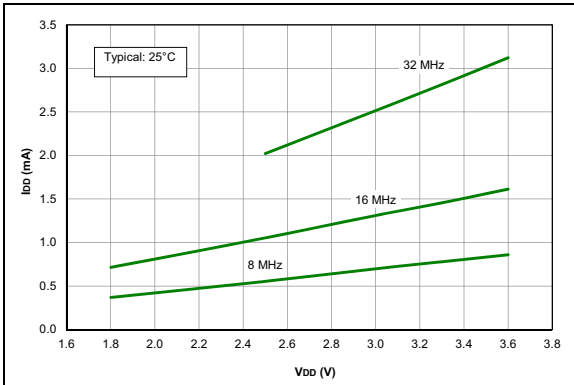


FIGURE 37-15: I_{DD} Typical, EC Oscillator HP Mode, PIC16LF1777/8/9 Only.

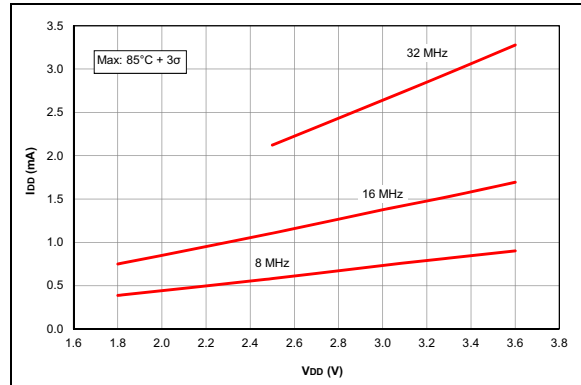


FIGURE 37-16: I_{DD} Maximum, EC Oscillator HP Mode, PIC16LF1777/8/9 Only.

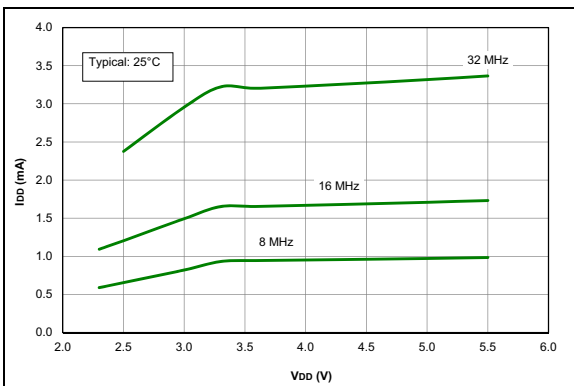


FIGURE 37-17: I_{DD} Typical, EC Oscillator HP Mode, PIC16F1777/8/9 Only.

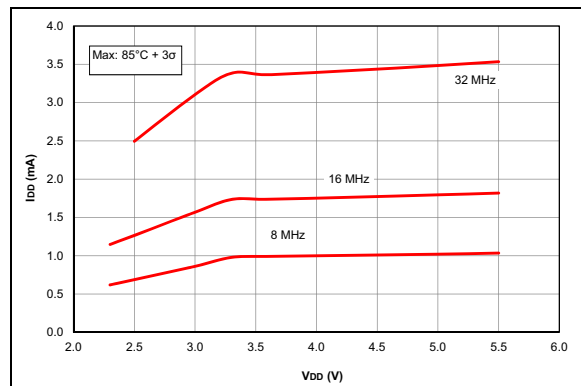


FIGURE 37-18: I_{DD} Maximum, EC Oscillator HP Mode, PIC16F1777/8/9 Only.

PIC16(L)F1777/8/9

Note: Unless otherwise noted, $V_{IN} = 5V$, $F_{OSC} = 300\text{ kHz}$, $C_{IN} = 0.1\ \mu F$, $T_A = 25^\circ C$.

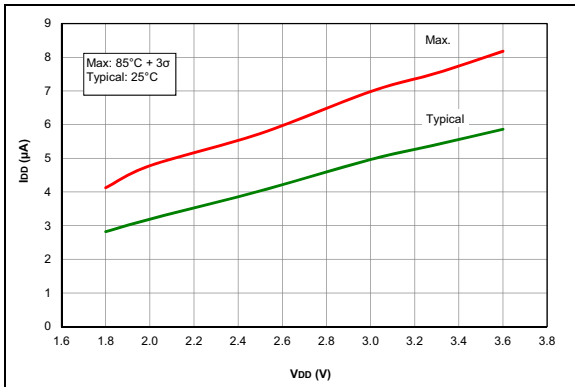


FIGURE 37-19: I_{DD} , LFINTOSC Mode, $F_{osc} = 31\text{ kHz}$, PIC16LF1777/8/9 Only.

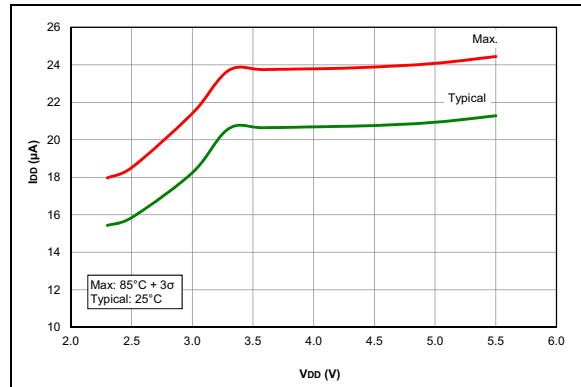


FIGURE 37-20: I_{DD} , LFINTOSC Mode, $F_{osc} = 31\text{ kHz}$, PIC16LF1777/8/9 Only.



FIGURE 37-21: I_{DD} , MFINTOSC Mode, $F_{osc} = 500\text{ kHz}$, PIC16LF1777/8/9 Only.



FIGURE 37-22: I_{DD} , MFINTOSC Mode, $F_{osc} = 500\text{ kHz}$, PIC16LF1777/8/9 Only.



FIGURE 37-23: I_{DD} Typical, HFINTOSC Mode, PIC16LF1777/8/9 Only.



FIGURE 37-24: I_{DD} Maximum, HFINTOSC Mode, PIC16LF1777/8/9 Only.

PIC16(L)F1777/8/9

Note: Unless otherwise noted, $V_{IN} = 5V$, $F_{OSC} = 300\text{ kHz}$, $C_{IN} = 0.1\ \mu F$, $T_A = 25^\circ C$.



FIGURE 37-25: I_{DD} Typical, HFINTOSC Mode, PIC16F1777/8/9 Only.



FIGURE 37-26: I_{DD} Maximum, HFINTOSC Mode, PIC16F1777/8/9 Only.



FIGURE 37-27: I_{DD} Typical, HS Oscillator, $25^\circ C$, PIC16LF1777/8/9 Only.



FIGURE 37-28: I_{DD} Maximum, HS Oscillator, PIC16LF1777/8/9 Only.



FIGURE 37-29: I_{DD} Typical, HS Oscillator, $25^\circ C$, PIC16F1777/8/9 Only.



FIGURE 37-30: I_{DD} , HS Oscillator (8 MHz + 4x PLL), PIC16LF1777/8/9 Only.

PIC16(L)F1777/8/9

Note: Unless otherwise noted, $V_{IN} = 5V$, $F_{OSC} = 300\text{ kHz}$, $C_{IN} = 0.1\ \mu\text{F}$, $T_A = 25^\circ\text{C}$.

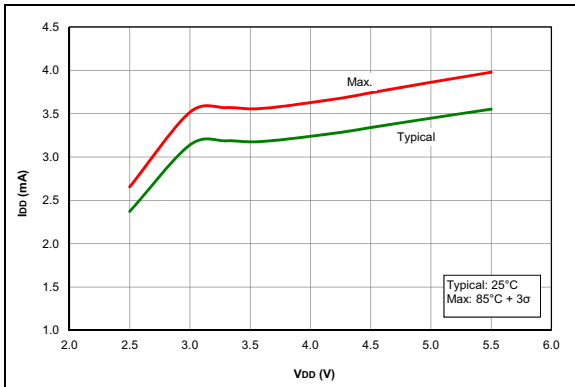


FIGURE 37-31: I_{DD} , HS Oscillator, 32 MHz (8 MHz + 4x PLL), PIC16F1777/8/9 Only.

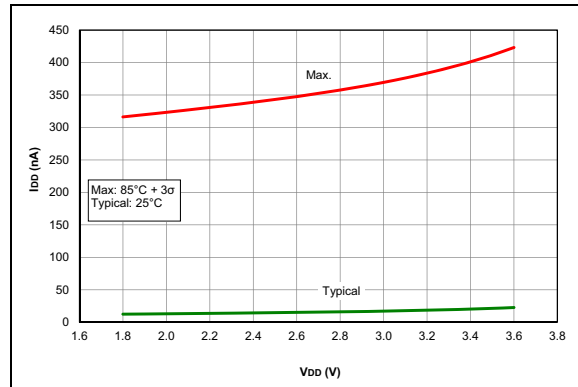


FIGURE 37-32: I_{PD} Base, LP Sleep Mode, PIC16LF1777/8/9 Only.



FIGURE 37-33: I_{PD} Base, LP Sleep Mode ($V_{REGPM} = 1$), PIC16F1777/8/9 Only.

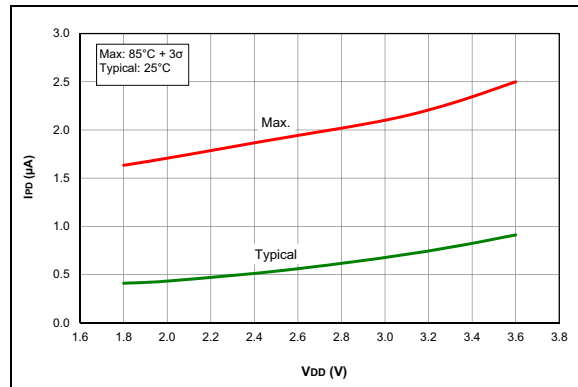


FIGURE 37-34: I_{PD} , Watchdog Timer (WDT), PIC16LF1777/8/9 Only.



FIGURE 37-35: I_{PD} , Watchdog Timer (WDT), PIC16F1777/8/9 Only.

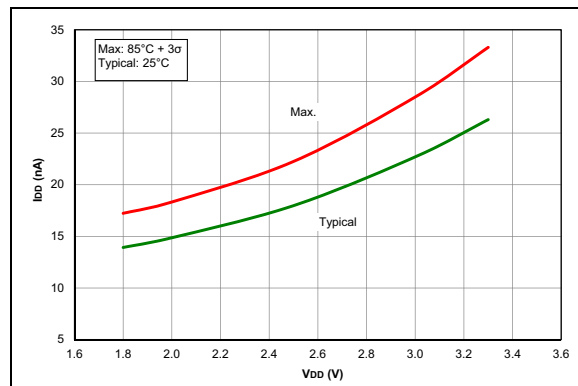


FIGURE 37-36: I_{PD} , Fixed Voltage Reference (FVR), ADC, PIC16LF1777/8/9 Only.

PIC16(L)F1777/8/9

Note: Unless otherwise noted, $V_{IN} = 5V$, $F_{OSC} = 300\text{ kHz}$, $C_{IN} = 0.1\ \mu F$, $T_A = 25^\circ C$.



FIGURE 37-37: I_{D0} , Fixed Voltage Reference (FVR), ADC, PIC16F1777/8/9 Only.

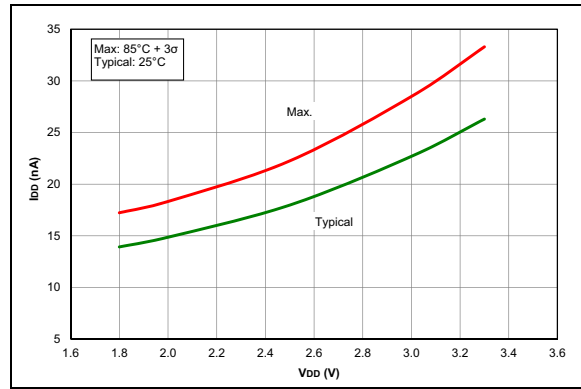


FIGURE 37-38: I_{D0} , Fixed Voltage Reference (FVR), DAC/Comparator, PIC16LF1777/8/9 Only.



FIGURE 37-39: I_{D0} , Fixed Voltage Reference (FVR), DAC/Comparator, PIC16F1777/8/9 Only.



FIGURE 37-40: I_{D0} , Brown-Out Reset (BOR), BORV = 1, PIC16LF1777/8/9 Only.



FIGURE 37-41: I_{D0} , Brown-Out Reset (BOR), BORV = 1, PIC16F1777/8/9 Only.



FIGURE 37-42: I_{D0} , LP Brown-Out Reset (LPBOR = 0), PIC16LF1777/8/9 Only.

PIC16(L)F1777/8/9

Note: Unless otherwise noted, $V_{IN} = 5V$, $F_{OSC} = 300\text{ kHz}$, $C_{IN} = 0.1\ \mu F$, $T_A = 25^\circ C$.



FIGURE 37-43: I_{DD} , LP Brown-Out Reset ($LPBOR = 0$), PIC16F1777/8/9 Only.



FIGURE 37-44: I_{DD} , Timer1 Oscillator, $F_{OSC} = 32\text{ kHz}$, PIC16F1777/8/9 Only.



FIGURE 37-45: I_{DD} , Timer1 Oscillator, $F_{OSC} = 32\text{ kHz}$, PIC16F1777/8/9 Only.



FIGURE 37-46: I_{DD} , Op Amp, NP Mode ($V_{REFPM} = 0$), PIC16F1777/8/9 Only.



FIGURE 37-47: I_{DD} , Op Amp, NP Mode ($V_{REFPM} = 0$), PIC16F1777/8/9 Only.



FIGURE 37-48: I_{DD} , ADC Non-Converting, PIC16F1777/8/9 Only.

PIC16(L)F1777/8/9

Note: Unless otherwise noted, $V_{IN} = 5V$, $F_{OSC} = 300\text{ kHz}$, $C_{IN} = 0.1\ \mu\text{F}$, $T_A = 25^\circ\text{C}$.



FIGURE 37-49: I_{PD} , ADC Non-Converting, PIC16F1777/8/9 Only.



FIGURE 37-50: I_{PD} , Comparator, NP Mode ($V_{REGPM} = 0$), PIC16F1777/8/9 Only.

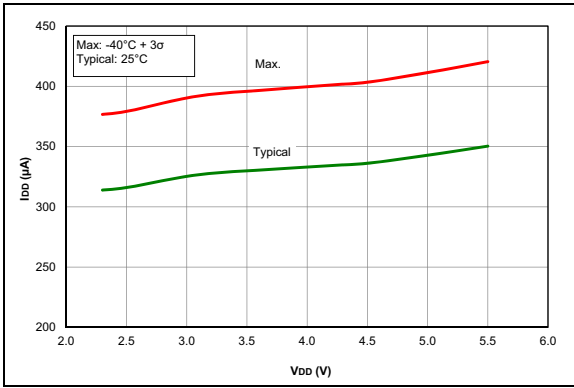


FIGURE 37-51: I_{PD} , Comparator, NP Mode ($V_{REGPM} = 0$), PIC16F1777/8/9 Only.

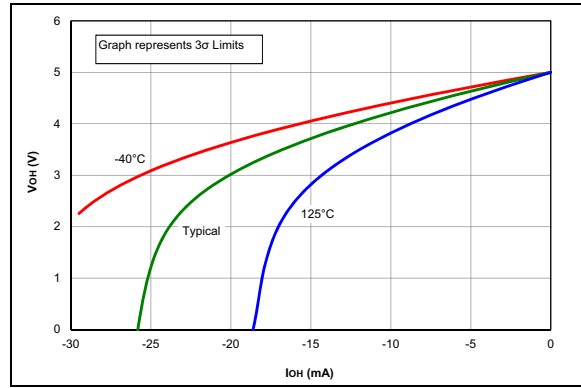


FIGURE 37-52: V_{OL} vs. I_{OL} Over Temperature, $V_{DD} = 5.0V$, PIC16F1777/8/9 Only.

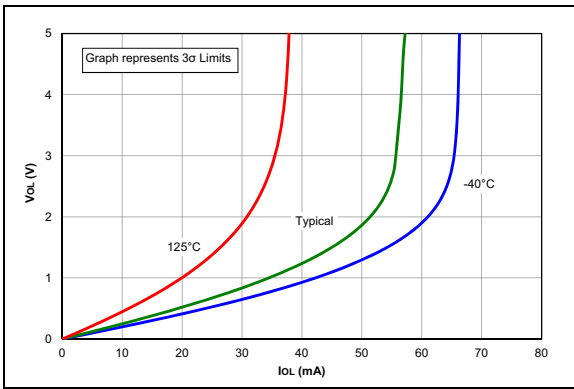


FIGURE 37-53: V_{OH} vs. I_{OH} Over Temperature, $V_{DD} = 5.0V$, PIC16F1777/8/9 Only.

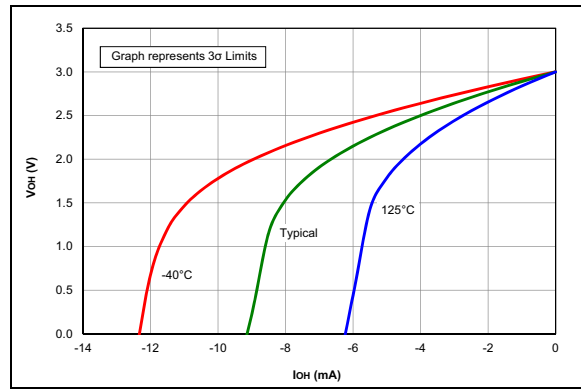


FIGURE 37-54: V_{OL} vs. I_{OL} Over Temperature, $V_{DD} = 3.0V$.

PIC16(L)F1777/8/9

Note: Unless otherwise noted, $V_{IN} = 5V$, $F_{OSC} = 300\text{ kHz}$, $C_{IN} = 0.1\ \mu F$, $T_A = 25^\circ C$.



FIGURE 37-55: V_{OH} vs. I_{OH} Over Temperature, $V_{DD} = 3.0V$.

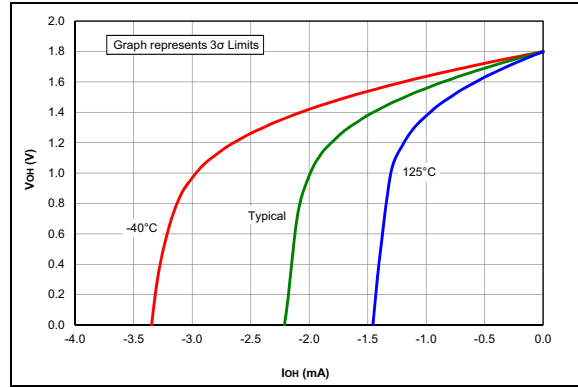


FIGURE 37-56: V_{OL} vs. I_{OL} Over Temperature, $V_{DD} = 1.8V$, PIC16LF1777/8/9 Only.



FIGURE 37-57: V_{OL} vs. I_{OL} Over Temperature, $V_{DD} = 1.8V$, PIC16LF1777/8/9 Only.

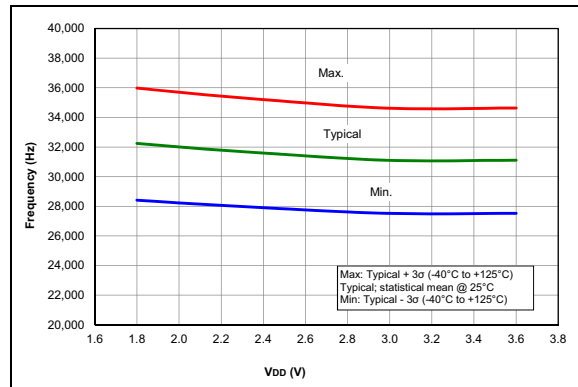


FIGURE 37-58: LFINTOSC Frequency, PIC16LF1777/8/9 Only.



FIGURE 37-59: LFINTOSC Frequency, PIC16LF1777/8/9 Only.

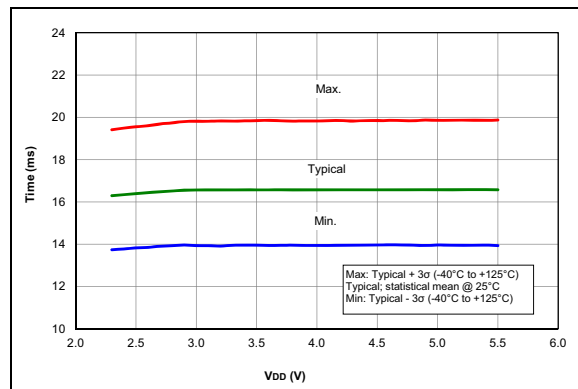


FIGURE 37-60: WDT Time-Out Period, PIC16LF1777/8/9 Only.

PIC16(L)F1777/8/9

Note: Unless otherwise noted, $V_{IN} = 5V$, $F_{OSC} = 300\text{ kHz}$, $C_{IN} = 0.1\ \mu\text{F}$, $T_A = 25^\circ\text{C}$.



FIGURE 37-61: WDT Time-Out Period, PIC16LF1777/8/9 Only.



FIGURE 37-62: Brown-Out Reset Voltage, Low Trip Point ($BORV = 1$), PIC16LF1777/8/9 Only.



FIGURE 37-63: Brown-Out Reset Hysteresis, Low Trip Point ($BORV = 1$), PIC16LF1777/8/9 Only.



FIGURE 37-64: Brown-Out Reset Voltage, Low Trip Point ($BORV = 1$), PIC16F1773/6 Only.



FIGURE 37-65: Brown-Out Reset Hysteresis, Low Trip Point ($BORV = 1$), PIC16F1773/6 Only.

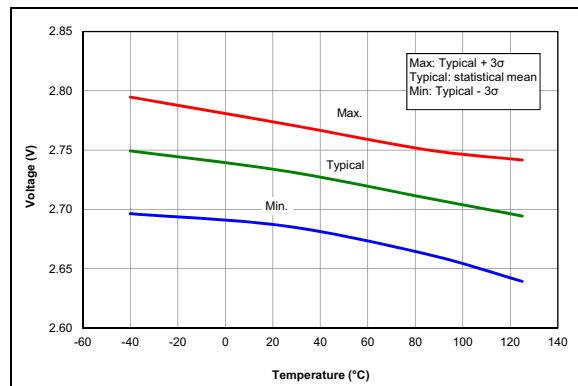


FIGURE 37-66: Brown-Out Reset Voltage, High Trip Point ($BORV = 0$).

PIC16(L)F1777/8/9

Note: Unless otherwise noted, $V_{IN} = 5V$, $F_{OSC} = 300\text{ kHz}$, $C_{IN} = 0.1\ \mu F$, $T_A = 25^\circ C$.



FIGURE 37-67: Brown-Out Reset Hysteresis, High Trip Point ($BORV = 0$).



FIGURE 37-68: LPBOR Reset Voltage.



FIGURE 37-69: LPBOR Reset Hysteresis.



FIGURE 37-70: PWRT Period, PIC16F1777/8/9 Only.

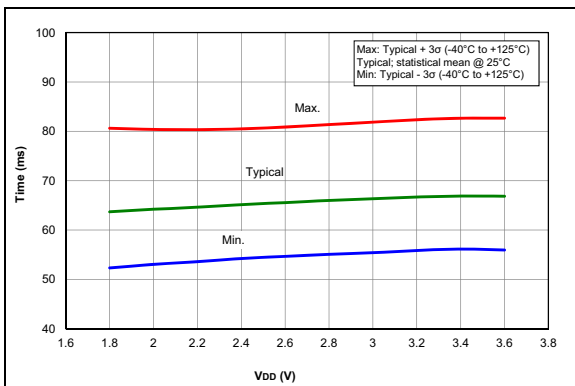


FIGURE 37-71: PWRT Period, PIC16LF1773/6 Only.

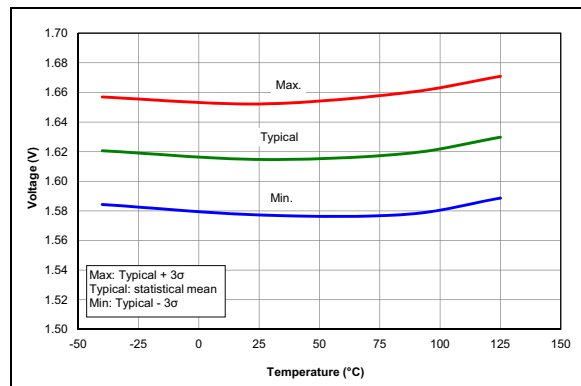


FIGURE 37-72: POR Release Voltage.

PIC16(L)F1777/8/9

Note: Unless otherwise noted, $V_{IN} = 5V$, $F_{OSC} = 300\text{ kHz}$, $C_{IN} = 0.1\ \mu\text{F}$, $T_A = 25^\circ\text{C}$.



FIGURE 37-73: POR Rearm Voltage, NP Mode ($V_{REGPM1} = 0$), PIC16F1773/6 Only.



FIGURE 37-74: POR Rearm Voltage, NP Mode, PIC16LF1777/8/9 Only.



FIGURE 37-75: Wake From Sleep, $V_{REGPM} = 0$.



FIGURE 37-76: Wake From Sleep, $V_{REGPM} = 1$.



FIGURE 37-77: FVR Stabilization Period, PIC16LF1777/8/9 Only.



FIGURE 37-78: ADC 10-bit Mode, Single-Ended DNL, $V_{DD} = 3.0V$, $T_{AD} = 1\ \mu\text{s}$, 25°C .

Note: Unless otherwise noted, $V_{IN} = 5V$, $F_{OSC} = 300\text{ kHz}$, $C_{IN} = 0.1\ \mu\text{F}$, $T_A = 25^\circ\text{C}$.



FIGURE 37-79: ADC 10-bit Mode, Single-Ended DNL, $V_{DD} = 3.0V$, $T_{AD} = 4\ \mu\text{s}$, 25°C .



FIGURE 37-80: ADC 10-bit Mode, Single-Ended INL, $V_{DD} = 3.0V$, $T_{AD} = 1\ \mu\text{s}$, 25°C .



FIGURE 37-81: ADC 10-bit Mode, Single-Ended INL, $V_{DD} = 3.0V$, $T_{AD} = 4\ \mu\text{s}$, 25°C .



FIGURE 37-82: ADC 10-bit Mode, Single-Ended DNL, $V_{DD} = 3.0V$, $V_{REF} = 3.0V$.



FIGURE 37-83: ADC 10-bit Mode, Single-Ended INL, $V_{DD} = 3.0V$, $V_{REF} = 3.0V$.



FIGURE 37-84: ADC 10-bit Mode, Single-Ended DNL, $V_{DD} = 3.0V$, $T_{AD} = 1\ \mu\text{s}$.

PIC16(L)F1777/8/9

Note: Unless otherwise noted, $V_{IN} = 5V$, $F_{OSC} = 300\text{ kHz}$, $C_{IN} = 0.1\ \mu\text{F}$, $T_A = 25^\circ\text{C}$.



FIGURE 37-85: ADC 10-bit Mode, Single-Ended INL, $V_{DD} = 3.0V$, $T_{AD} = 1\ \mu\text{s}$.



FIGURE 37-86: Temperature Indicator Initial Offset, High Range, Temp. = 20°C , PIC16F1777/8/9 only.

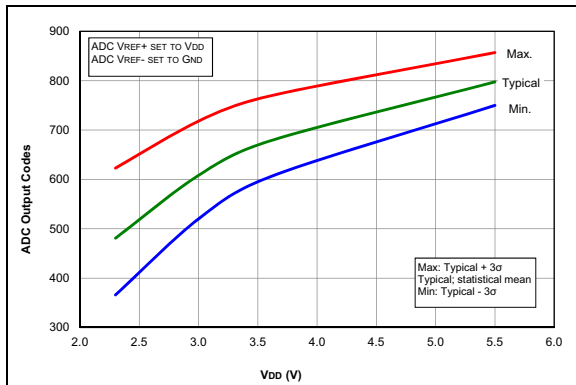


FIGURE 37-87: Temperature Indicator Initial Offset, Low Range, Temp. = 20°C , PIC16F1777/8/9 only.

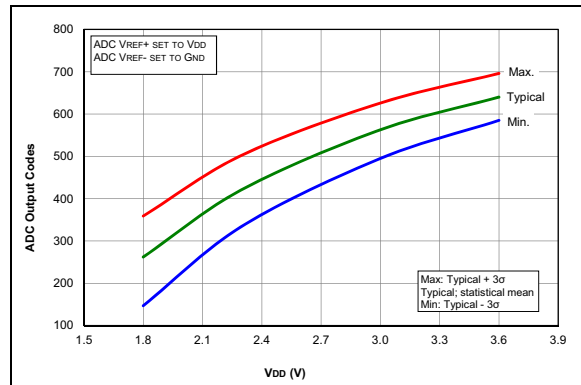


FIGURE 37-88: Temperature Indicator Initial Offset, Low Range, Temp. = 20°C , PIC16LF1773/6 only.

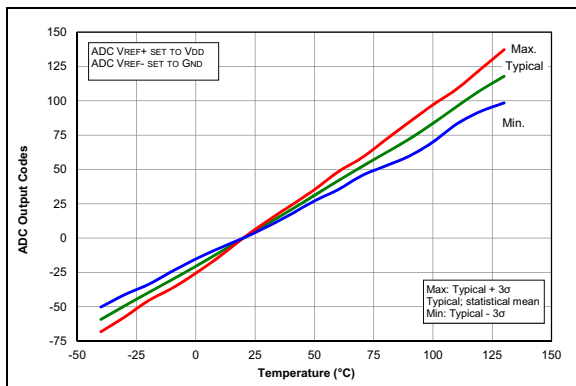


FIGURE 37-89: Temperature Indicator Slope Normalized to 20°C , PIC16F1777/8/9 only.



FIGURE 37-90: Temperature Indicator Slope Normalized to 20°C , High Range, $V_{DD} = 3.6V$, PIC16F1777/8/9 only.

PIC16(L)F1777/8/9

Note: Unless otherwise noted, $V_{IN} = 5V$, $F_{OSC} = 300\text{ kHz}$, $C_{IN} = 0.1\ \mu\text{F}$, $T_A = 25^\circ\text{C}$.



FIGURE 37-91: Temperature Indicator Slope Normalized to 20°C , Low Range, $V_{DD} = 3.0V$, PIC16F1777/8/9 only.



FIGURE 37-92: Temp. Indicator Slope Normalized to 20°C , Low Range, $V_{DD} = 1.8V$, PIC16LF1773/6 Only.



FIGURE 37-93: Temp. Indicator Slope Normalized to 20°C , Low Range, $V_{DD} = 3.0V$, PIC16LF1773/6 Only.



FIGURE 37-94: Temp. Indicator Slope Normalized to 20°C , High Range, $V_{DD} = 3.6V$, PIC16LF1773/6 Only.



FIGURE 37-95: Op Amp, Common Mode Rejection Ratio (CMRR), $V_{DD} = 3.0V$.



FIGURE 37-96: Op Amp, Offset Voltage Histogram, $V_{DD} = 3.0V$, $V_{CM} = V_{DD}/2$.

PIC16(L)F1777/8/9

Note: Unless otherwise noted, $V_{IN} = 5V$, $F_{OSC} = 300\text{ kHz}$, $C_{IN} = 0.1\ \mu\text{F}$, $T_A = 25^\circ\text{C}$.



FIGURE 37-97: Op Amp, Offset over Common Mode Voltage, $V_{DD} = 3.0V$, $Temp. = 25^\circ\text{C}$



FIGURE 37-98: Op Amp, Offset over Common Mode Voltage, $V_{DD} = 5.0V$, $Temp. = 25^\circ\text{C}$, PIC16F1777/8/9 Only.



FIGURE 37-99: Op Amp, Output Slew Rate, Rising Edge, PIC16F1777/8/9 Only.



FIGURE 37-100: Op Amp, Output Slew Rate, Falling Edge, PIC16F1777/8/9 Only.



FIGURE 37-101: Op Amp, Output Drive Strength, $V_{DD} = 5.0V$, $Temp. = 25^\circ\text{C}$, PIC16F1777/8/9 Only.



FIGURE 37-102: Comparator Hysteresis, NP Mode ($CxSP = 1$), $V_{DD} = 3.0V$, Typical Measured Values.

PIC16(L)F1777/8/9

Note: Unless otherwise noted, $V_{IN} = 5V$, $F_{OSC} = 300\text{ kHz}$, $C_{IN} = 0.1\ \mu\text{F}$, $T_A = 25^\circ\text{C}$.



FIGURE 37-103: Comparator Offset, NP Mode ($CxSP = 1$), $V_{DD} = 3.0V$, Typical Measured Values at 25°C .



FIGURE 37-104: Comparator Offset, NP Mode ($CxSP = 1$), $V_{DD} = 3.0V$, Typical Measured Values from -40°C to 125°C .



FIGURE 37-105: Comparator Hysteresis, NP Mode ($CxSP = 1$), $V_{DD} = 5.5V$, Typical Measured Values, PIC16F1777/8/9 only.



FIGURE 37-106: Comparator Offset, NP Mode ($CxSP = 1$), $V_{DD} = 5.0V$, Typical Measured Values at 25°C , PIC16F1777/8/9 only.



FIGURE 37-107: Comparator Offset, NP Mode ($CxSP = 1$), $V_{DD} = 5.5V$, Typical Measured Values from -40°C to 125°C , PIC16F1777/8/9 only.

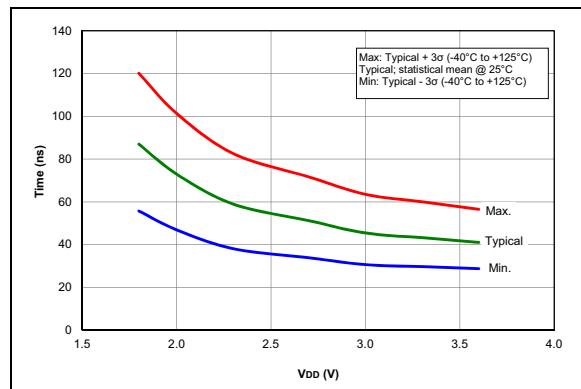


FIGURE 37-108: Comparator Response Time Over Voltage, NP Mode ($CxSP = 1$), Typical Measured Values.

PIC16(L)F1777/8/9

Note: Unless otherwise noted, $V_{IN} = 5V$, $F_{OSC} = 300\text{ kHz}$, $C_{IN} = 0.1\ \mu\text{F}$, $T_A = 25^\circ\text{C}$.



FIGURE 37-109: Comparator Response Time Over Voltage, NP Mode ($CxSP = 1$), Typical Measured Values, PIC16F1777/8/9 Only.

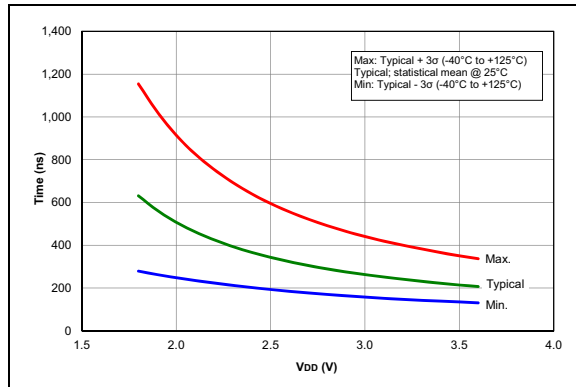


FIGURE 37-110: Comparator Output Filter Delay Time Over Temp., NP Mode ($CxSP = 1$), Typical Measured Values, PIC16LF1777/8/9 Only.



FIGURE 37-111: Comparator Output Filter Delay Time Over Temp., NP Mode ($CxSP = 1$), Typical Measured Values, PIC16F1777/8/9 Only.

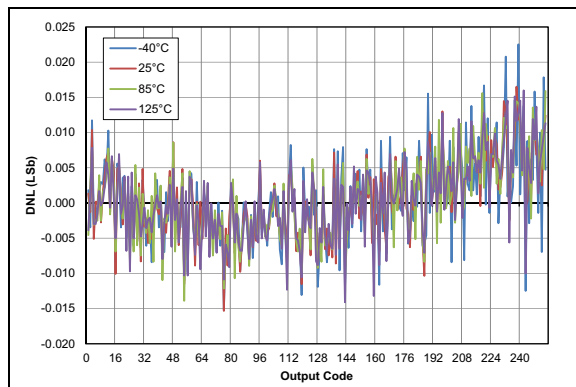


FIGURE 37-112: Typical DAC DNL Error, $V_{DD} = 3.0V$, $V_{REF} = \text{External } 3V$.



FIGURE 37-113: Typical DAC INL Error, $V_{DD} = 3.0V$, $V_{REF} = \text{External } 3V$.

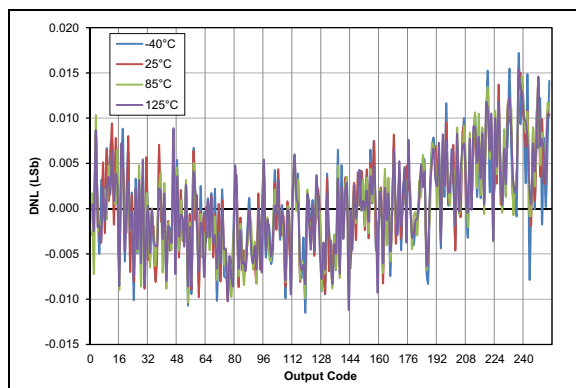


FIGURE 37-114: Typical DAC DNL Error, $V_{DD} = 5.0V$, $V_{REF} = \text{External } 5V$, PIC16F1777/8/9 Only.

PIC16(L)F1777/8/9

Note: Unless otherwise noted, $V_{IN} = 5V$, $F_{OSC} = 300\text{ kHz}$, $C_{IN} = 0.1\ \mu\text{F}$, $T_A = 25^\circ\text{C}$.

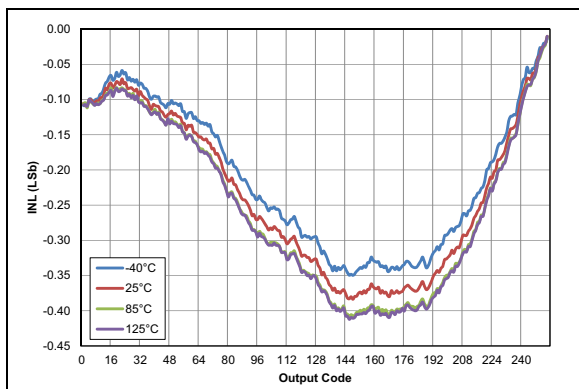


FIGURE 37-115: Typical DAC INL Error, $V_{DD} = 5.0V$, $V_{REF} = \text{External } 5V$, PIC16F1777/8/9 Only.

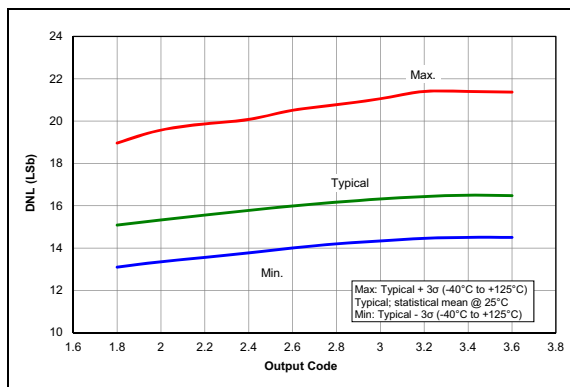


FIGURE 37-116: DAC INL Error, $V_{DD} = 3.0V$, PIC16LF1773/6 Only.

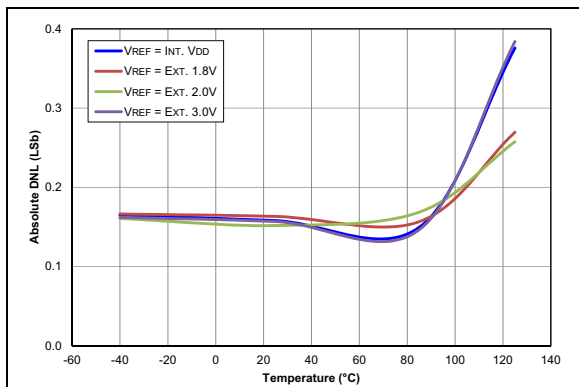


FIGURE 37-117: Absolute Value of DAC DNL Error, $V_{DD} = 3.0V$, $V_{REF} = V_{DD}$.

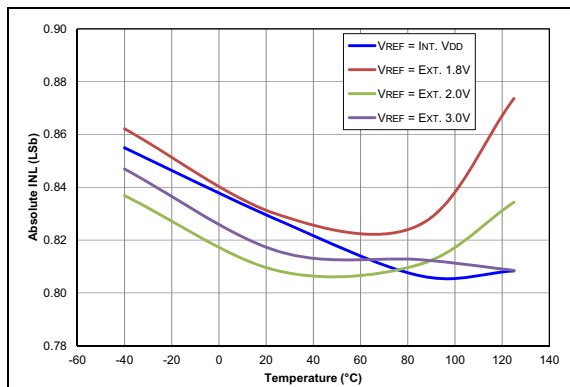


FIGURE 37-118: Absolute Value of DAC INL Error, $V_{DD} = 3.0V$, $V_{REF} = V_{DD}$.

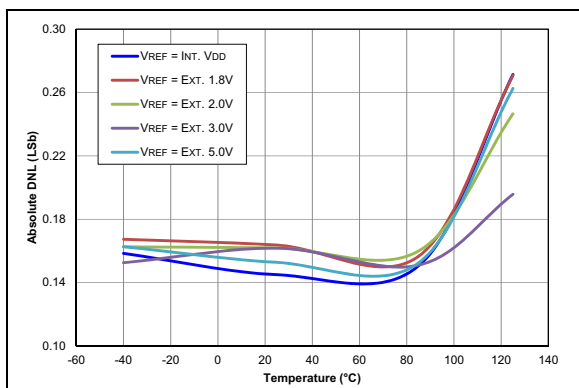


FIGURE 37-119: Absolute Value of DAC DNL Error, $V_{DD} = 5.0V$, $V_{REF} = V_{DD}$, PIC16F1777/8/9 Only.

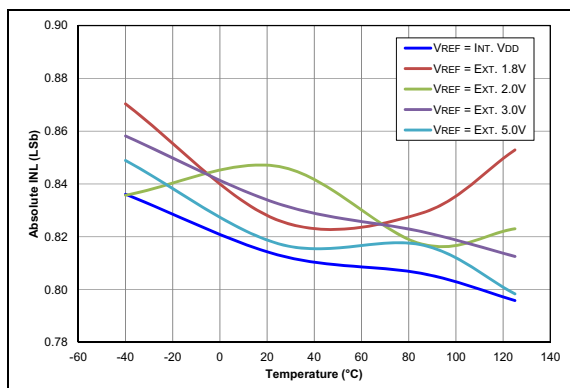


FIGURE 37-120: Absolute Value of DAC INL Error, $V_{DD} = 5.0V$, $V_{REF} = V_{DD}$, PIC16F1777/8/9 Only.

PIC16(L)F1777/8/9

Note: Unless otherwise noted, $V_{IN} = 5V$, $F_{OSC} = 300\text{ kHz}$, $C_{IN} = 0.1\ \mu\text{F}$, $T_A = 25^\circ\text{C}$.



FIGURE 37-121: DAC DNL Error, $V_{DD} = 3.0V$, $V_{REF} = \text{External } 3V$.

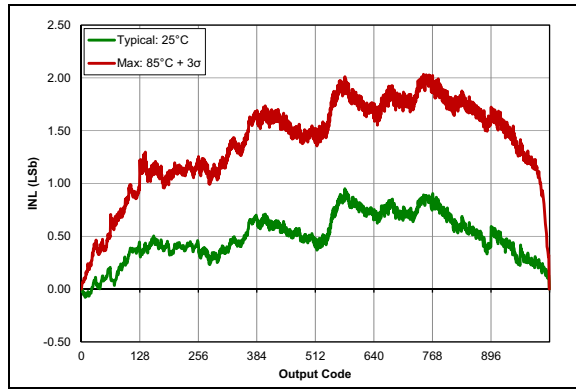


FIGURE 37-122: DAC INL Error, $V_{DD} = 3.0V$, $V_{REF} = \text{External } 3V$.



FIGURE 37-123: DAC DNL Error, $V_{DD} = 5.0V$, $V_{REF} = \text{External } 5V$, PIC16F1777/8/9 Only.

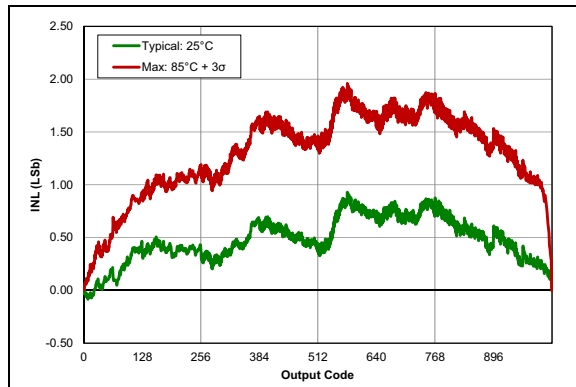


FIGURE 37-124: Typical DAC INL Error, $V_{DD} = 5.0V$, $V_{REF} = \text{External } 5V$, PIC16F1777/8/9 Only.



FIGURE 37-125: Absolute Value of DAC DNL Error, $V_{DD} = 3.0V$, $V_{REF} = V_{DD}$.

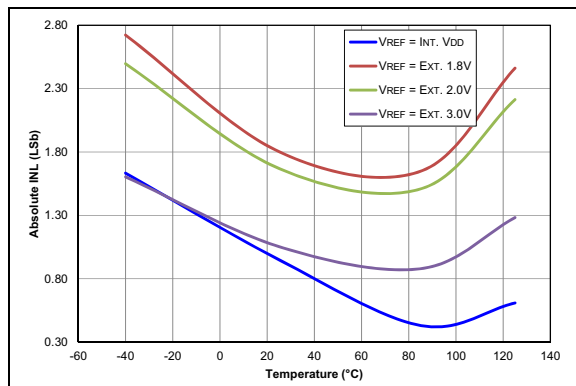


FIGURE 37-126: Absolute Value of DAC INL Error, $V_{DD} = 3.0V$, $V_{REF} = V_{DD}$.

PIC16(L)F1777/8/9

Note: Unless otherwise noted, $V_{IN} = 5V$, $F_{OSC} = 300\text{ kHz}$, $C_{IN} = 0.1\ \mu\text{F}$, $T_A = 25^\circ\text{C}$.

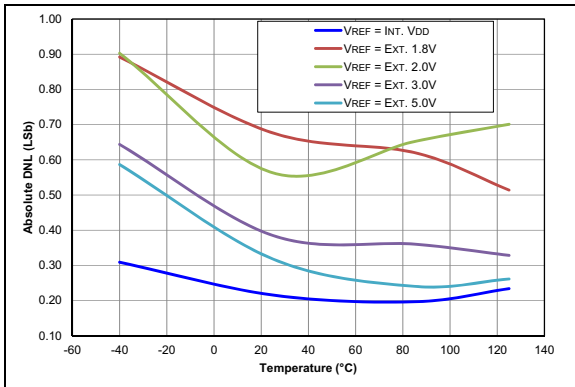


FIGURE 37-127: Absolute Value of DAC DNL Error, $V_{DD} = 5.0V$, $V_{REF} = V_{DD}$, PIC16F1777/8/9 Only.

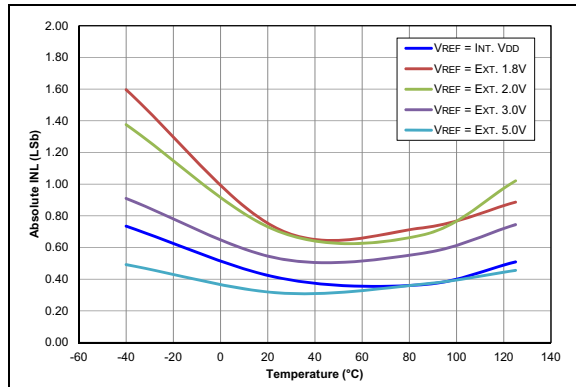


FIGURE 37-128: Absolute Value of DAC INL Error, $V_{DD} = 5.0V$, $V_{REF} = V_{DD}$, PIC16F1777/8/9 Only.

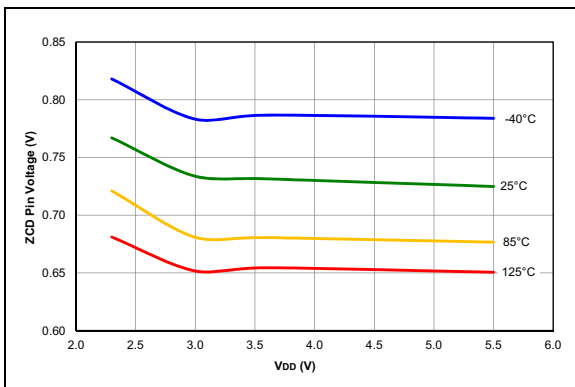


FIGURE 37-129: ZCD Pin Voltage, Typical Measured Values.

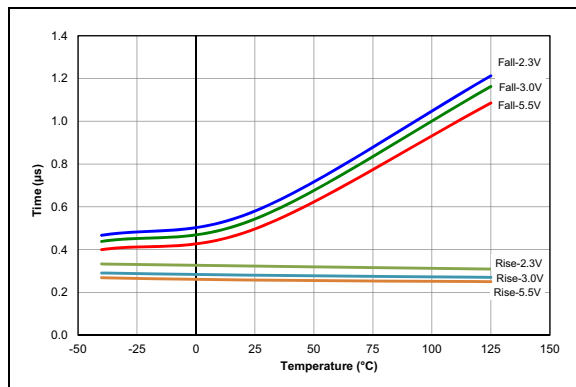


FIGURE 37-130: ZCD Response Time over Voltage, Typical Measured Values.

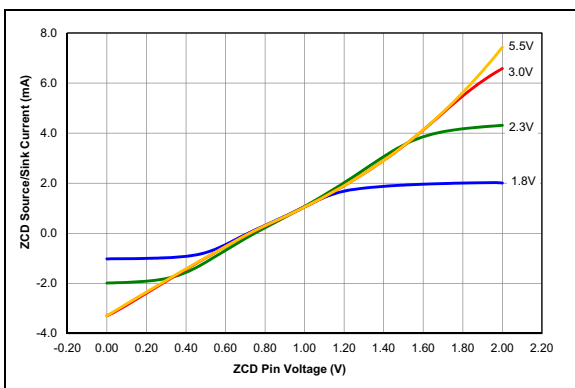


FIGURE 37-131: ZCD Pin Current over ZCD Pin Voltage, Typical Measured Values from -40°C to 125°C .

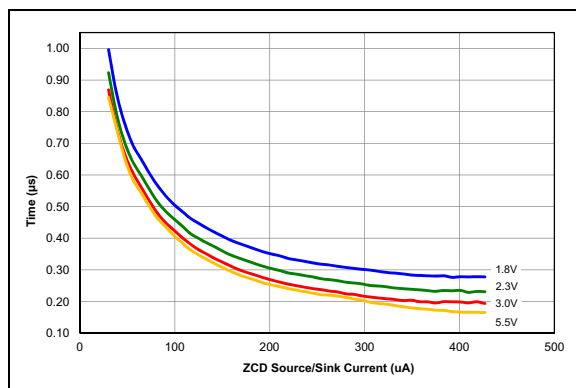


FIGURE 37-132: ZCD Pin Response Time over Current, Typical Measured Values from -40°C to 125°C .

PIC16(L)F1777/8/9

Note: Unless otherwise noted, $V_{IN} = 5V$, $F_{OSC} = 300\text{ kHz}$, $C_{IN} = 0.1\ \mu F$, $T_A = 25^\circ C$.



FIGURE 37-133: COG Dead-Band Delay, DBR/DBF = 32, Typical Measured Values.



FIGURE 37-134: COG Dead-Band Delay, DBR/DBF Delay per Step, Typical Measured Values.



FIGURE 37-135: COG Dead-Band Delay per Step, Typical Measured Values.



FIGURE 37-136: COG Dead-Band Delay per Step, Zoomed to First 10 Codes, Typical Measured Values.

38.0 DEVELOPMENT SUPPORT

The PIC[®] microcontrollers (MCU) and dsPIC[®] digital signal controllers (DSC) are supported with a full range of software and hardware development tools:

- Integrated Development Environment
 - MPLAB[®] X IDE Software
- Compilers/Assemblers/Linkers
 - MPLAB XC Compiler
 - MPASM[™] Assembler
 - MPLINK[™] Object Linker/
MPLIB[™] Object Librarian
 - MPLAB Assembler/Linker/Librarian for
Various Device Families
- Simulators
 - MPLAB X SIM Software Simulator
- Emulators
 - MPLAB REAL ICE[™] In-Circuit Emulator
- In-Circuit Debuggers/Programmers
 - MPLAB ICD 3
 - PICKit[™] 3
- Device Programmers
 - MPLAB PM3 Device Programmer
- Low-Cost Demonstration/Development Boards,
Evaluation Kits and Starter Kits
- Third-party development tools

38.1 MPLAB X Integrated Development Environment Software

The MPLAB X IDE is a single, unified graphical user interface for Microchip and third-party software, and hardware development tool that runs on Windows[®], Linux and Mac OS[®] X. Based on the NetBeans IDE, MPLAB X IDE is an entirely new IDE with a host of free software components and plug-ins for high-performance application development and debugging. Moving between tools and upgrading from software simulators to hardware debugging and programming tools is simple with the seamless user interface.

With complete project management, visual call graphs, a configurable watch window and a feature-rich editor that includes code completion and context menus, MPLAB X IDE is flexible and friendly enough for new users. With the ability to support multiple tools on multiple projects with simultaneous debugging, MPLAB X IDE is also suitable for the needs of experienced users.

Feature-Rich Editor:

- Color syntax highlighting
- Smart code completion makes suggestions and provides hints as you type
- Automatic code formatting based on user-defined rules
- Live parsing

User-Friendly, Customizable Interface:

- Fully customizable interface: toolbars, toolbar buttons, windows, window placement, etc.
- Call graph window

Project-Based Workspaces:

- Multiple projects
- Multiple tools
- Multiple configurations
- Simultaneous debugging sessions

File History and Bug Tracking:

- Local file history feature
- Built-in support for Bugzilla issue tracker

38.2 MPLAB XC Compilers

The MPLAB XC Compilers are complete ANSI C compilers for all of Microchip's 8, 16, and 32-bit MCU and DSC devices. These compilers provide powerful integration capabilities, superior code optimization and ease of use. MPLAB XC Compilers run on Windows, Linux or MAC OS X.

For easy source level debugging, the compilers provide debug information that is optimized to the MPLAB X IDE.

The free MPLAB XC Compiler editions support all devices and commands, with no time or memory restrictions, and offer sufficient code optimization for most applications.

MPLAB XC Compilers include an assembler, linker and utilities. The assembler generates relocatable object files that can then be archived or linked with other relocatable object files and archives to create an executable file. MPLAB XC Compiler uses the assembler to produce its object file. Notable features of the assembler include:

- Support for the entire device instruction set
- Support for fixed-point and floating-point data
- Command-line interface
- Rich directive set
- Flexible macro language
- MPLAB X IDE compatibility

38.3 MPASM Assembler

The MPASM Assembler is a full-featured, universal macro assembler for PIC10/12/16/18 MCUs.

The MPASM Assembler generates relocatable object files for the MPLINK Object Linker, Intel® standard HEX files, MAP files to detail memory usage and symbol reference, absolute LST files that contain source lines and generated machine code, and COFF files for debugging.

The MPASM Assembler features include:

- Integration into MPLAB X IDE projects
- User-defined macros to streamline assembly code
- Conditional assembly for multipurpose source files
- Directives that allow complete control over the assembly process

38.4 MPLINK Object Linker/ MPLIB Object Librarian

The MPLINK Object Linker combines relocatable objects created by the MPASM Assembler. It can link relocatable objects from precompiled libraries, using directives from a linker script.

The MPLIB Object Librarian manages the creation and modification of library files of precompiled code. When a routine from a library is called from a source file, only the modules that contain that routine will be linked in with the application. This allows large libraries to be used efficiently in many different applications.

The object linker/library features include:

- Efficient linking of single libraries instead of many smaller files
- Enhanced code maintainability by grouping related modules together
- Flexible creation of libraries with easy module listing, replacement, deletion and extraction

38.5 MPLAB Assembler, Linker and Librarian for Various Device Families

MPLAB Assembler produces relocatable machine code from symbolic assembly language for PIC24, PIC32 and dsPIC DSC devices. MPLAB XC Compiler uses the assembler to produce its object file. The assembler generates relocatable object files that can then be archived or linked with other relocatable object files and archives to create an executable file. Notable features of the assembler include:

- Support for the entire device instruction set
- Support for fixed-point and floating-point data
- Command-line interface
- Rich directive set
- Flexible macro language
- MPLAB X IDE compatibility

38.6 MPLAB X SIM Software Simulator

The MPLAB X SIM Software Simulator allows code development in a PC-hosted environment by simulating the PIC MCUs and dsPIC DSCs on an instruction level. On any given instruction, the data areas can be examined or modified and stimuli can be applied from a comprehensive stimulus controller. Registers can be logged to files for further run-time analysis. The trace buffer and logic analyzer display extend the power of the simulator to record and track program execution, actions on I/O, most peripherals and internal registers.

The MPLAB X SIM Software Simulator fully supports symbolic debugging using the MPLAB XC Compilers, and the MPASM and MPLAB Assemblers. The software simulator offers the flexibility to develop and debug code outside of the hardware laboratory environment, making it an excellent, economical software development tool.

38.7 MPLAB REAL ICE In-Circuit Emulator System

The MPLAB REAL ICE In-Circuit Emulator System is Microchip's next generation high-speed emulator for Microchip Flash DSC and MCU devices. It debugs and programs all 8, 16 and 32-bit MCU, and DSC devices with the easy-to-use, powerful graphical user interface of the MPLAB X IDE.

The emulator is connected to the design engineer's PC using a high-speed USB 2.0 interface and is connected to the target with either a connector compatible with in-circuit debugger systems (RJ-11) or with the new high-speed, noise tolerant, Low-Voltage Differential Signal (LVDS) interconnection (CAT5).

The emulator is field upgradeable through future firmware downloads in MPLAB X IDE. MPLAB REAL ICE offers significant advantages over competitive emulators including full-speed emulation, run-time variable watches, trace analysis, complex breakpoints, logic probes, a ruggedized probe interface and long (up to three meters) interconnection cables.

38.8 MPLAB ICD 3 In-Circuit Debugger System

The MPLAB ICD 3 In-Circuit Debugger System is Microchip's most cost-effective, high-speed hardware debugger/programmer for Microchip Flash DSC and MCU devices. It debugs and programs PIC Flash microcontrollers and dsPIC DSCs with the powerful, yet easy-to-use graphical user interface of the MPLAB IDE.

The MPLAB ICD 3 In-Circuit Debugger probe is connected to the design engineer's PC using a high-speed USB 2.0 interface and is connected to the target with a connector compatible with the MPLAB ICD 2 or MPLAB REAL ICE systems (RJ-11). MPLAB ICD 3 supports all MPLAB ICD 2 headers.

38.9 PICkit 3 In-Circuit Debugger/Programmer

The MPLAB PICkit 3 allows debugging and programming of PIC and dsPIC Flash microcontrollers at a most affordable price point using the powerful graphical user interface of the MPLAB IDE. The MPLAB PICkit 3 is connected to the design engineer's PC using a full-speed USB interface and can be connected to the target via a Microchip debug (RJ-11) connector (compatible with MPLAB ICD 3 and MPLAB REAL ICE). The connector uses two device I/O pins and the Reset line to implement in-circuit debugging and In-Circuit Serial Programming™ (ICSP™).

38.10 MPLAB PM3 Device Programmer

The MPLAB PM3 Device Programmer is a universal, CE compliant device programmer with programmable voltage verification at VDDMIN and VDDMAX for maximum reliability. It features a large LCD display (128 x 64) for menus and error messages, and a modular, detachable socket assembly to support various package types. The ICSP cable assembly is included as a standard item. In Stand-Alone mode, the MPLAB PM3 Device Programmer can read, verify and program PIC devices without a PC connection. It can also set code protection in this mode. The MPLAB PM3 connects to the host PC via an RS-232 or USB cable. The MPLAB PM3 has high-speed communications and optimized algorithms for quick programming of large memory devices, and incorporates an MMC card for file storage and data applications.

38.11 Demonstration/Development Boards, Evaluation Kits, and Starter Kits

A wide variety of demonstration, development and evaluation boards for various PIC MCUs and dsPIC DSCs allows quick application development on fully functional systems. Most boards include prototyping areas for adding custom circuitry and provide application firmware and source code for examination and modification.

The boards support a variety of features, including LEDs, temperature sensors, switches, speakers, RS-232 interfaces, LCD displays, potentiometers and additional EEPROM memory.

The demonstration and development boards can be used in teaching environments, for prototyping custom circuits and for learning about various microcontroller applications.

In addition to the PICDEM™ and dsPICDEM™ demonstration/development board series of circuits, Microchip has a line of evaluation kits and demonstration software for analog filter design, KEELOQ® security ICs, CAN, IrDA®, PowerSmart battery management, SEEVAL® evaluation system, Sigma-Delta ADC, flow rate sensing, plus many more.

Also available are starter kits that contain everything needed to experience the specified device. This usually includes a single application and debug capability, all on one board.

Check the Microchip web page (www.microchip.com) for the complete list of demonstration, development and evaluation kits.

38.12 Third-Party Development Tools

Microchip also offers a great collection of tools from third-party vendors. These tools are carefully selected to offer good value and unique functionality.

- Device Programmers and Gang Programmers from companies, such as SoftLog and CCS
- Software Tools from companies, such as Gimpel and Trace Systems
- Protocol Analyzers from companies, such as Saleae and Total Phase
- Demonstration Boards from companies, such as MikroElektronika, Digilent® and Olimex
- Embedded Ethernet Solutions from companies, such as EZ Web Lynx, WIZnet and IPLogika®

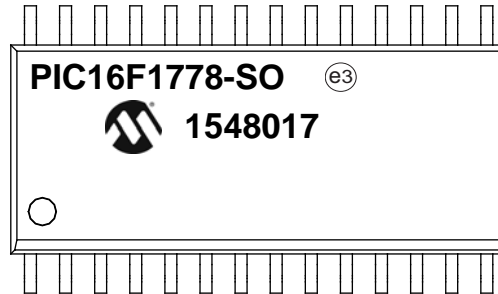
39.0 PACKAGING INFORMATION

39.1 Package Marking Information

28-Lead SOIC (7.50 mm)



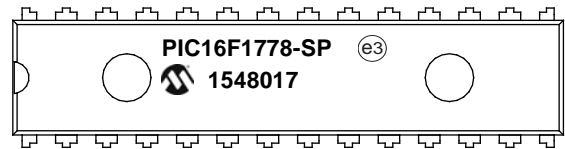
Example



28-Lead SPDIP (.300")



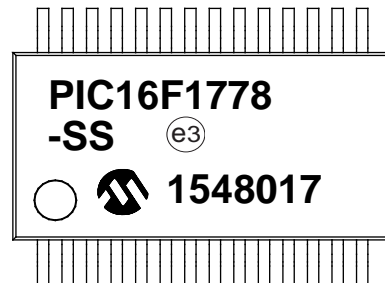
Example



28-Lead SSOP (5.30 mm)



Example



Legend:	XX...X	Customer-specific information
	Y	Year code (last digit of calendar year)
	YY	Year code (last 2 digits of calendar year)
	WW	Week code (week of January 1 is week '01')
	NNN	Alphanumeric traceability code
	(e3)	Pb-free JEDEC® designator for Matte Tin (Sn)
	*	This package is Pb-free. The Pb-free JEDEC® designator (e3) can be found on the outer packaging for this package.

Note: In the event the full Microchip part number cannot be marked on one line, it will be carried over to the next line, thus limiting the number of available characters for customer-specific information.

PIC16(L)F1777/8/9

Package Marking Information (Continued)

28-Lead UQFN (6x6 mm)



Example



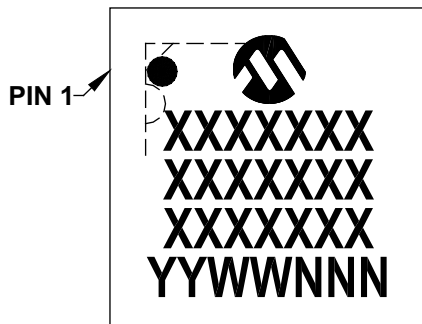
40-Lead PDIP (600 mil)



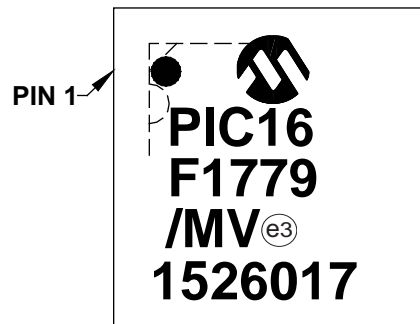
Example



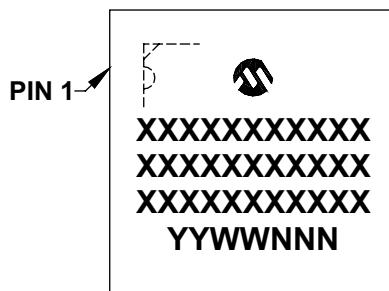
40-Lead UQFN (5x5x0.5 mm)



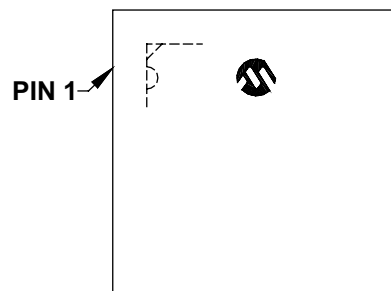
Example



44-Lead QFN (8x8x0.9 mm)

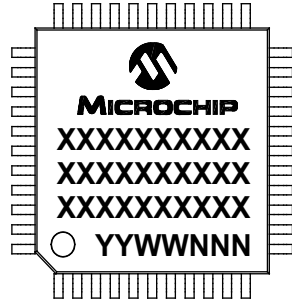


Example

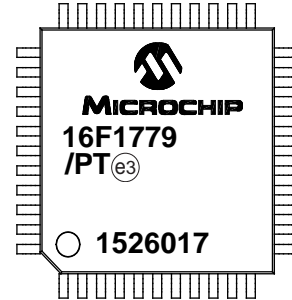


Package Marking Information (Continued)

44-Lead TQFP (10x10x1 mm)



Example



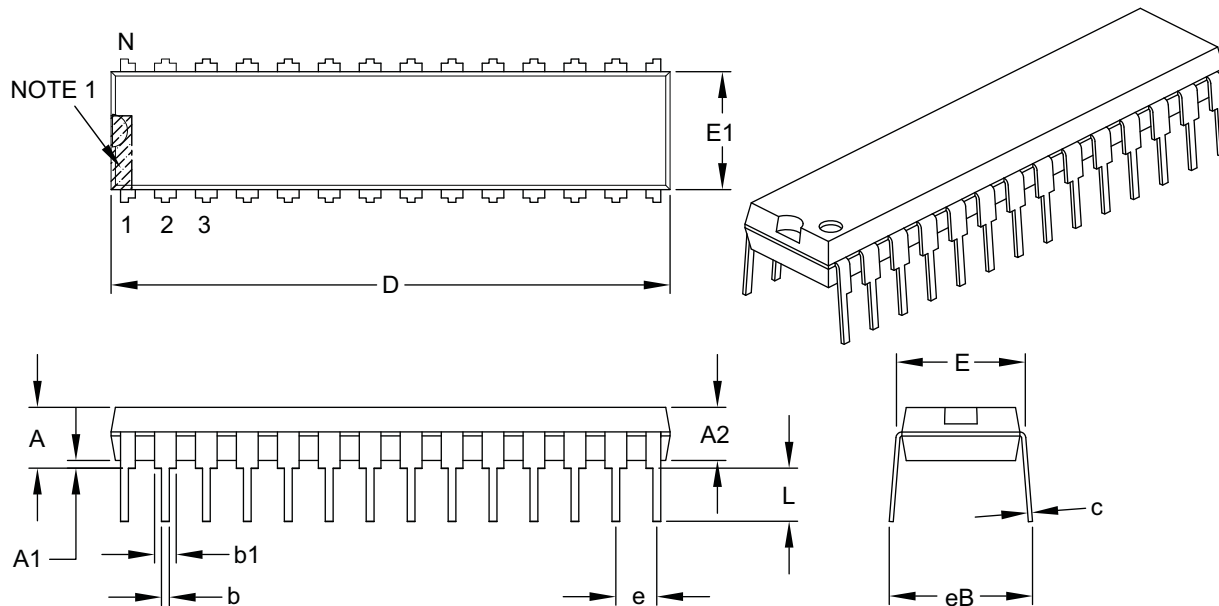
PIC16(L)F1777/8/9

39.2 Package Details

The following sections give the technical details of the packages.

28-Lead Skinny Plastic Dual In-Line (SP) – 300 mil Body [SPDIP]

Note: For the most current package drawings, please see the Microchip Packaging Specification located at <http://www.microchip.com/packageing>



Dimension Limits	Units	INCHES		
		MIN	NOM	MAX
Number of Pins	N	28		
Pitch	e	.100 BSC		
Top to Seating Plane	A	–	–	.200
Molded Package Thickness	A2	.120	.135	.150
Base to Seating Plane	A1	.015	–	–
Shoulder to Shoulder Width	E	.290	.310	.335
Molded Package Width	E1	.240	.285	.295
Overall Length	D	1.345	1.365	1.400
Tip to Seating Plane	L	.110	.130	.150
Lead Thickness	c	.008	.010	.015
Upper Lead Width	b1	.040	.050	.070
Lower Lead Width	b	.014	.018	.022
Overall Row Spacing §	eB	–	–	.430

Notes:

- Pin 1 visual index feature may vary, but must be located within the hatched area.
- § Significant Characteristic.
- Dimensions D and E1 do not include mold flash or protrusions. Mold flash or protrusions shall not exceed .010" per side.
- Dimensioning and tolerancing per ASME Y14.5M.

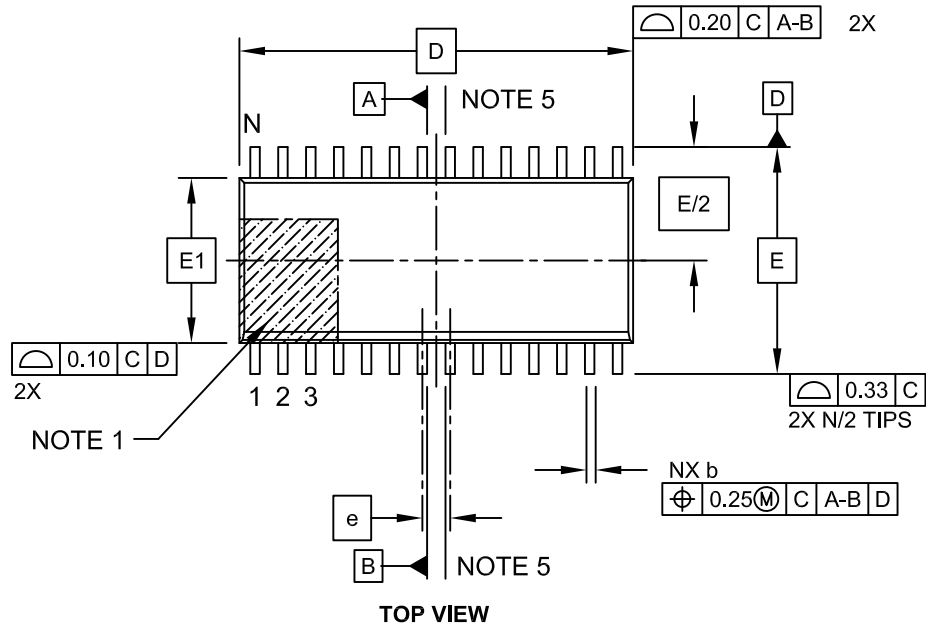
BSC: Basic Dimension. Theoretically exact value shown without tolerances.

Microchip Technology Drawing C04-070B

PIC16(L)F1777/8/9

28-Lead Plastic Small Outline (SO) - Wide, 7.50 mm Body [SOIC]

Note: For the most current package drawings, please see the Microchip Packaging Specification located at <http://www.microchip.com/packaging>



Microchip Technology Drawing C04-052C Sheet 1 of 2

PIC16(L)F1777/8/9

28-Lead Plastic Small Outline (SO) - Wide, 7.50 mm Body [SOIC]

Note: For the most current package drawings, please see the Microchip Packaging Specification located at <http://www.microchip.com/packaging>



Dimension Limits	Units	MILLIMETERS		
		MIN	NOM	MAX
Number of Pins	N	28		
Pitch	e	1.27 BSC		
Overall Height	A	-	-	2.65
Molded Package Thickness	A2	2.05	-	-
Standoff §	A1	0.10	-	0.30
Overall Width	E	10.30 BSC		
Molded Package Width	E1	7.50 BSC		
Overall Length	D	17.90 BSC		
Chamfer (Optional)	h	0.25	-	0.75
Foot Length	L	0.40	-	1.27
Footprint	L1	1.40 REF		
Lead Angle	θ	0°	-	-
Foot Angle	φ	0°	-	8°
Lead Thickness	c	0.18	-	0.33
Lead Width	b	0.31	-	0.51
Mold Draft Angle Top	α	5°	-	15°
Mold Draft Angle Bottom	β	5°	-	15°

Notes:

- Pin 1 visual index feature may vary, but must be located within the hatched area.
- § Significant Characteristic
- Dimension D does not include mold flash, protrusions or gate burrs, which shall not exceed 0.15 mm per end. Dimension E1 does not include interlead flash or protrusion, which shall not exceed 0.25 mm per side.
- Dimensioning and tolerancing per ASME Y14.5M
 BSC: Basic Dimension. Theoretically exact value shown without tolerances.
 REF: Reference Dimension, usually without tolerance, for information purposes only.
- Datums A & B to be determined at Datum H.

Microchip Technology Drawing C04-052C Sheet 2 of 2

28-Lead Plastic Small Outline (SO) - Wide, 7.50 mm Body [SOIC]

Note: For the most current package drawings, please see the Microchip Packaging Specification located at <http://www.microchip.com/packaging>



RECOMMENDED LAND PATTERN

		Units	MILLIMETERS		
Dimension Limits			MIN	NOM	MAX
Contact Pitch	E		1.27 BSC		
Contact Pad Spacing	C			9.40	
Contact Pad Width (X28)	X				0.60
Contact Pad Length (X28)	Y				2.00
Distance Between Pads	Gx		0.67		
Distance Between Pads	G		7.40		

Notes:

1. Dimensioning and tolerancing per ASME Y14.5M

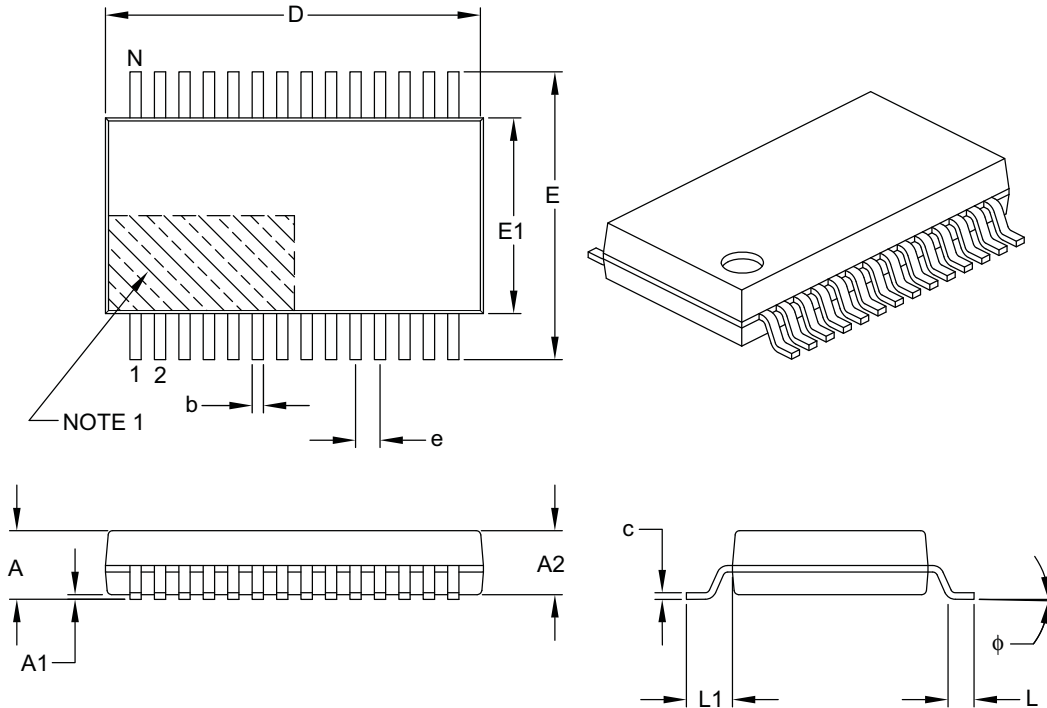
BSC: Basic Dimension. Theoretically exact value shown without tolerances.

Microchip Technology Drawing No. C04-2052A

PIC16(L)F1777/8/9

28-Lead Plastic Shrink Small Outline (SS) – 5.30 mm Body [SSOP]

Note: For the most current package drawings, please see the Microchip Packaging Specification located at <http://www.microchip.com/packaging>



Dimension Limits	Units	MILLIMETERS		
		MIN	NOM	MAX
Number of Pins	N	28		
Pitch	e	0.65 BSC		
Overall Height	A	–	–	2.00
Molded Package Thickness	A2	1.65	1.75	1.85
Standoff	A1	0.05	–	–
Overall Width	E	7.40	7.80	8.20
Molded Package Width	E1	5.00	5.30	5.60
Overall Length	D	9.90	10.20	10.50
Foot Length	L	0.55	0.75	0.95
Footprint	L1	1.25 REF		
Lead Thickness	c	0.09	–	0.25
Foot Angle	φ	0°	4°	8°
Lead Width	b	0.22	–	0.38

Notes:

- Pin 1 visual index feature may vary, but must be located within the hatched area.
- Dimensions D and E1 do not include mold flash or protrusions. Mold flash or protrusions shall not exceed 0.20 mm per side.
- Dimensioning and tolerancing per ASME Y14.5M.

BSC: Basic Dimension. Theoretically exact value shown without tolerances.

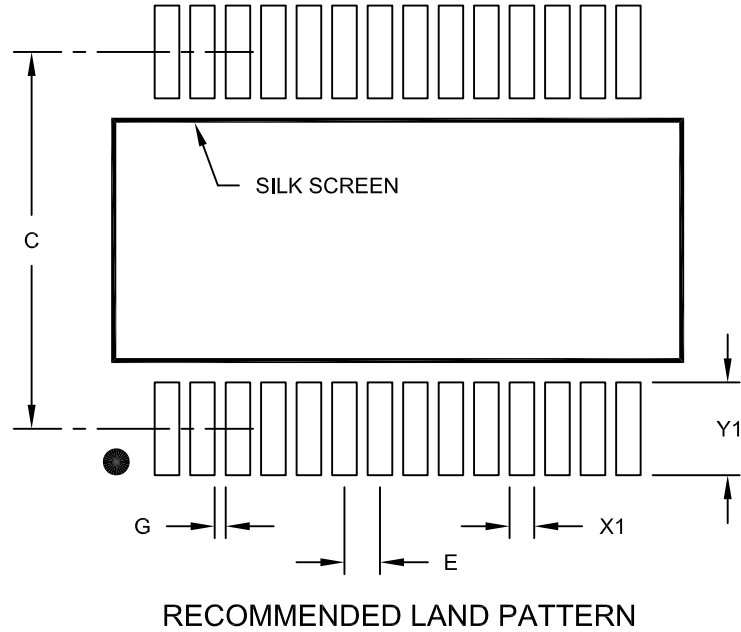
REF: Reference Dimension, usually without tolerance, for information purposes only.

Microchip Technology Drawing C04-073B

PIC16(L)F1777/8/9

28-Lead Plastic Shrink Small Outline (SS) - 5.30 mm Body [SSOP]

Note: For the most current package drawings, please see the Microchip Packaging Specification located at <http://www.microchip.com/packaging>



Dimension Limits	Units	MILLIMETERS		
		MIN	NOM	MAX
Contact Pitch	E	0.65 BSC		
Contact Pad Spacing	C		7.20	
Contact Pad Width (X28)	X1			0.45
Contact Pad Length (X28)	Y1			1.75
Distance Between Pads	G	0.20		

Notes:

1. Dimensioning and tolerancing per ASME Y14.5M

BSC: Basic Dimension. Theoretically exact value shown without tolerances.

Microchip Technology Drawing No. C04-2073A

PIC16(L)F1777/8/9

28-Lead Plastic Quad Flat, No Lead Package (MX) - 6x6x0.5mm Body [UQFN] Ultra-Thin with 0.40 x 0.60 mm Terminal Width/Length and Corner Anchors

Note: For the most current package drawings, please see the Microchip Packaging Specification located at <http://www.microchip.com/packaging>



Microchip Technology Drawing C04-0209 Rev C Sheet 1 of 2

PIC16(L)F1777/8/9

Note: For the most current package drawings, please see the Microchip Packaging Specification located at <http://www.microchip.com/packaging>



Dimension Limits	Units	MILLIMETERS		
		MIN	NOM	MAX
Number of Pins	N	28		
Pitch	e	0.65 BSC		
Overall Height	A	0.40	0.50	0.60
Standoff	A1	0.00	0.02	0.05
Terminal Thickness	(A3)	0.127 REF		
Overall Width	E	6.00 BSC		
Exposed Pad Width	E2	4.00		
Overall Length	D	6.00 BSC		
Exposed Pad Length	D2	4.00		
Terminal Width	b	0.35	0.40	0.45
Corner Pad	b1	0.55	0.60	0.65
Corner Pad, Metal Free Zone	b2	0.15	0.20	0.25
Terminal Length	L	0.55	0.60	0.65
Terminal-to-Exposed Pad	K	0.20	-	-

Notes:

1. Pin 1 visual index feature may vary, but must be located within the hatched area.
2. Package is saw singulated
3. Dimensioning and tolerancing per ASME Y14.5M
BSC: Basic Dimension. Theoretically exact value shown without tolerances.
REF: Reference Dimension, usually without tolerance, for information purposes only.
4. Outermost portions of corner structures may vary slightly.

Microchip Technology Drawing C04-0209 Rev C Sheet 2 of 2

PIC16(L)F1777/8/9

28-Lead Plastic Quad Flat, No Lead Package (MX) - 6x6 mm Body [UQFN] With 0.60mm Contact Length And Corner Anchors

Note: For the most current package drawings, please see the Microchip Packaging Specification located at <http://www.microchip.com/packaging>



RECOMMENDED LAND PATTERN

Dimension Limits	Units	MILLIMETERS		
		MIN	NOM	MAX
Contact Pitch	E	0.65 BSC		
Optional Center Pad Width	W1			4.05
Optional Center Pad Length	T2			4.05
Contact Pad Spacing	C1		5.70	
Contact Pad Spacing	C2		5.70	
Contact Pad Width (X28)	X1			0.45
Contact Pad Length (X28)	Y1			1.00
Corner Pad Width (X4)	X2			0.90
Corner Pad Length (X4)	Y2			0.90
Distance Between Pads	G	0.20		

Notes:

1. Dimensioning and tolerancing per ASME Y14.5M
BSC: Basic Dimension. Theoretically exact value shown without tolerances.

Microchip Technology Drawing No. C04-2209B

PIC16(L)F1777/8/9

40-Lead Plastic Dual In-Line (P) – 600 mil Body [PDIP]

Note: For the most current package drawings, please see the Microchip Packaging Specification located at <http://www.microchip.com/packages>



		Units	INCHES		
Dimension Limits			MIN	NOM	MAX
Number of Pins	N		40		
Pitch	e		.100 BSC		
Top to Seating Plane	A	–	–	–	.250
Molded Package Thickness	A2	.125	–	–	.195
Base to Seating Plane	A1	.015	–	–	–
Shoulder to Shoulder Width	E	.590	–	–	.625
Molded Package Width	E1	.485	–	–	.580
Overall Length	D	1.980	–	–	2.095
Tip to Seating Plane	L	.115	–	–	.200
Lead Thickness	c	.008	–	–	.015
Upper Lead Width	b1	.030	–	–	.070
Lower Lead Width	b	.014	–	–	.023
Overall Row Spacing §	eB	–	–	–	.700

Notes:

- Pin 1 visual index feature may vary, but must be located within the hatched area.
- § Significant Characteristic.
- Dimensions D and E1 do not include mold flash or protrusions. Mold flash or protrusions shall not exceed .010" per side.
- Dimensioning and tolerancing per ASME Y14.5M.

BSC: Basic Dimension. Theoretically exact value shown without tolerances.

Microchip Technology Drawing C04-016B

PIC16(L)F1777/8/9

40-Lead Ultra Thin Plastic Quad Flat, No Lead Package (MV) – 5x5x0.5 mm Body [UQFN]

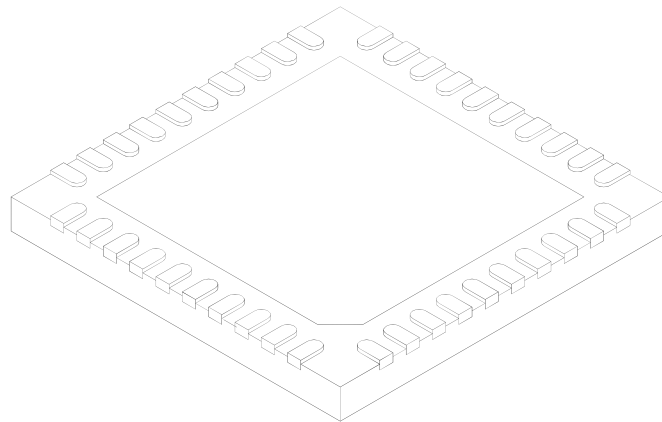
Note: For the most current package drawings, please see the Microchip Packaging Specification located at <http://www.microchip.com/packaging>



Microchip Technology Drawing C04-156A Sheet 1 of 2

40-Lead Ultra Thin Plastic Quad Flat, No Lead Package (MV) – 5x5x0.5 mm Body [UQFN]

Note: For the most current package drawings, please see the Microchip Packaging Specification located at <http://www.microchip.com/packaging>



Dimension Limits	Units	MILLIMETERS		
		MIN	NOM	MAX
Number of Pins	N	40		
Pitch	e	0.40 BSC		
Overall Height	A	0.45	0.50	0.55
Standoff	A1	0.00	0.02	0.05
Contact Thickness	A3	0.127 REF		
Overall Width	E	5.00 BSC		
Exposed Pad Width	E2	3.60	3.70	3.80
Overall Length	D	5.00 BSC		
Exposed Pad Length	D2	3.60	3.70	3.80
Contact Width	b	0.15	0.20	0.25
Contact Length	L	0.30	0.40	0.50
Contact-to-Exposed Pad	K	0.20	-	-

Notes:

- Pin 1 visual index feature may vary, but must be located within the hatched area.
- Package is saw singulated.
- Dimensioning and tolerancing per ASME Y14.5M.
 BSC: Basic Dimension. Theoretically exact value shown without tolerances.
 REF: Reference Dimension, usually without tolerance, for information purposes only.

Microchip Technology Drawing C04-156A Sheet 2 of 2

PIC16(L)F1777/8/9

40-Lead Plastic Ultra Thin Quad Flat, No Lead Package (MV) - 5x5 mm Body [UQFN]

Note: For the most current package drawings, please see the Microchip Packaging Specification located at <http://www.microchip.com/packaging>



RECOMMENDED LAND PATTERN

Dimension Limits	Units	MILLIMETERS		
		MIN	NOM	MAX
Contact Pitch	E	0.40 BSC		
Optional Center Pad Width	W2			3.80
Optional Center Pad Length	T2			3.80
Contact Pad Spacing	C1		5.00	
Contact Pad Spacing	C2		5.00	
Contact Pad Width (X40)	X1			0.20
Contact Pad Length (X40)	Y1			0.75
Distance Between Pads	G	0.20		

Notes:

1. Dimensioning and tolerancing per ASME Y14.5M

BSC: Basic Dimension. Theoretically exact value shown without tolerances.

Microchip Technology Drawing No. C04-2156B

PIC16(L)F1777/8/9

44-Lead Plastic Quad Flat, No Lead Package (ML) - 8x8 mm Body [QFN or VQFN]

Note: For the most current package drawings, please see the Microchip Packaging Specification located at <http://www.microchip.com/packaging>

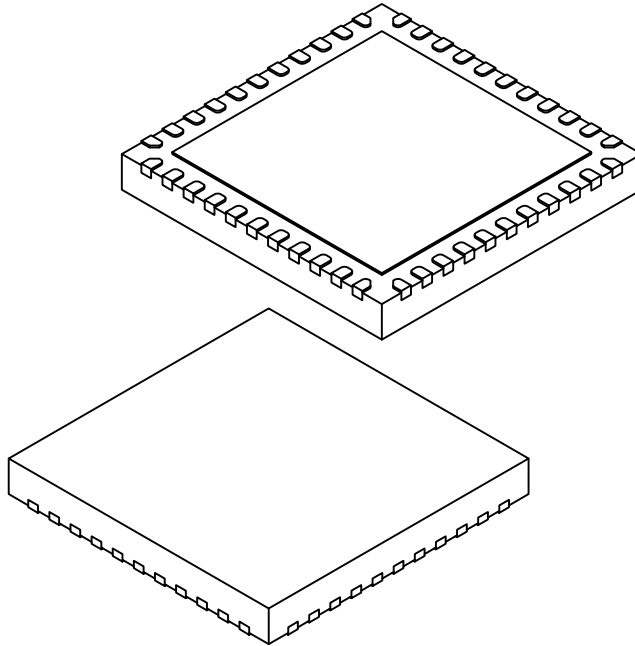


Microchip Technology Drawing C04-103D Sheet 1 of 2

PIC16(L)F1777/8/9

44-Lead Plastic Quad Flat, No Lead Package (ML) - 8x8 mm Body [QFN or VQFN]

Note: For the most current package drawings, please see the Microchip Packaging Specification located at <http://www.microchip.com/packaging>



Dimension Limits	Units	MILLIMETERS		
		MIN	NOM	MAX
Number of Pins	N	44		
Pitch	e	0.65 BSC		
Overall Height	A	0.80	0.90	1.00
Standoff	A1	0.00	0.02	0.05
Terminal Thickness	A3	0.20 REF		
Overall Width	E	8.00 BSC		
Exposed Pad Width	E2	6.25	6.45	6.60
Overall Length	D	8.00 BSC		
Exposed Pad Length	D2	6.25	6.45	6.60
Terminal Width	b	0.20	0.30	0.35
Terminal Length	L	0.30	0.40	0.50
Terminal-to-Exposed-Pad	K	0.20	-	-

Notes:

1. Pin 1 visual index feature may vary, but must be located within the hatched area.
2. Package is saw singulated
3. Dimensioning and tolerancing per ASME Y14.5M

BSC: Basic Dimension. Theoretically exact value shown without tolerances.

REF: Reference Dimension, usually without tolerance, for information purposes only.

Microchip Technology Drawing C04-103D Sheet 2 of 2

44-Lead Plastic Quad Flat, No Lead Package (ML) - 8x8 mm Body [QFN or VQFN]

Note: For the most current package drawings, please see the Microchip Packaging Specification located at <http://www.microchip.com/packaging>



RECOMMENDED LAND PATTERN

Dimension Limits	Units	MILLIMETERS		
		MIN	NOM	MAX
Contact Pitch	E	0.65 BSC		
Optional Center Pad Width	X2			6.60
Optional Center Pad Length	Y2			6.60
Contact Pad Spacing	C1		8.00	
Contact Pad Spacing	C2		8.00	
Contact Pad Width (X44)	X1			0.35
Contact Pad Length (X44)	Y1			0.85
Contact Pad to Contact Pad (X40)	G1	0.30		
Contact Pad to Center Pad (X44)	G2	0.28		
Thermal Via Diameter	V		0.33	
Thermal Via Pitch	EV		1.20	

Notes:

- Dimensioning and tolerancing per ASME Y14.5M
BSC: Basic Dimension. Theoretically exact value shown without tolerances.
- For best soldering results, thermal vias, if used, should be filled or tented to avoid solder loss during reflow process

Microchip Technology Drawing No. C04-2103C

PIC16(L)F1777/8/9

44-Lead Plastic Thin Quad Flatpack (PT) - 10x10x1.0 mm Body [TQFP]

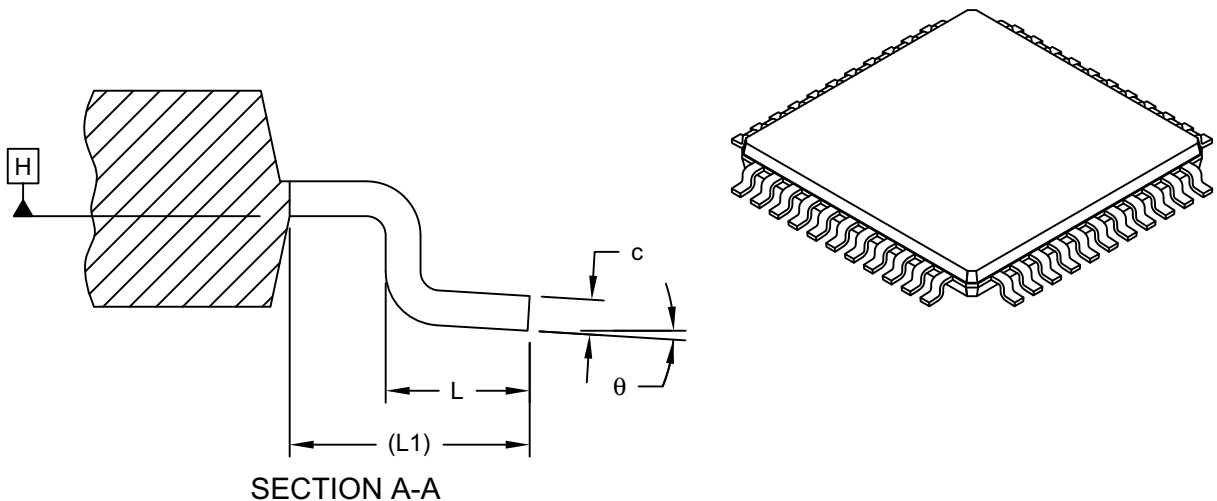
Note: For the most current package drawings, please see the Microchip Packaging Specification located at <http://www.microchip.com/packaging>



Microchip Technology Drawing C04-076C Sheet 1 of 2

44-Lead Plastic Thin Quad Flatpack (PT) - 10x10x1.0 mm Body [TQFP]

Note: For the most current package drawings, please see the Microchip Packaging Specification located at <http://www.microchip.com/packaging>



Dimension Limits	Units	MILLIMETERS		
		MIN	NOM	MAX
Number of Leads	N	44		
Lead Pitch	e	0.80 BSC		
Overall Height	A	-	-	1.20
Standoff	A1	0.05	-	0.15
Molded Package Thickness	A2	0.95	1.00	1.05
Overall Width	E	12.00 BSC		
Molded Package Width	E1	10.00 BSC		
Overall Length	D	12.00 BSC		
Molded Package Length	D1	10.00 BSC		
Lead Width	b	0.30	0.37	0.45
Lead Thickness	c	0.09	-	0.20
Lead Length	L	0.45	0.60	0.75
Footprint	L1	1.00 REF		
Foot Angle	θ	0°	3.5°	7°

Notes:

- Pin 1 visual index feature may vary, but must be located within the hatched area.
- Exact shape of each corner is optional.
- Dimensioning and tolerancing per ASME Y14.5M

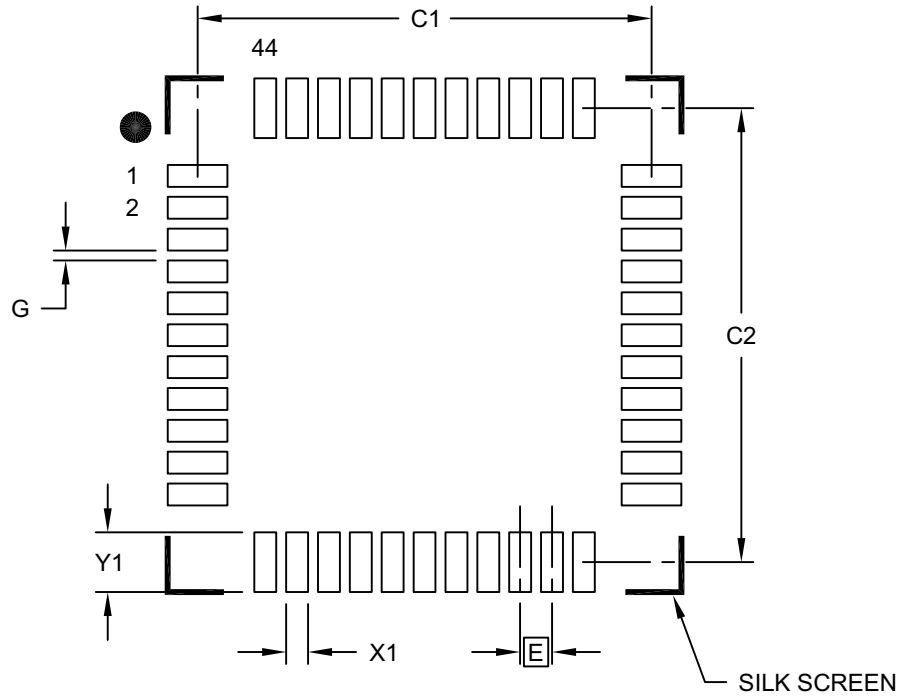
BSC: Basic Dimension. Theoretically exact value shown without tolerances.

REF: Reference Dimension, usually without tolerance, for information purposes only.

PIC16(L)F1777/8/9

44-Lead Plastic Thin Quad Flatpack (PT) - 10X10X1 mm Body, 2.00 mm Footprint [TQFP]

Note: For the most current package drawings, please see the Microchip Packaging Specification located at <http://www.microchip.com/packaging>



RECOMMENDED LAND PATTERN

Dimension Limits	Units	MILLIMETERS		
		MIN	NOM	MAX
Contact Pitch	E	0.80 BSC		
Contact Pad Spacing	C1		11.40	
Contact Pad Spacing	C2		11.40	
Contact Pad Width (X44)	X1			0.55
Contact Pad Length (X44)	Y1			1.50
Distance Between Pads	G	0.25		

Notes:

1. Dimensioning and tolerancing per ASME Y14.5M

BSC: Basic Dimension. Theoretically exact value shown without tolerances.

Microchip Technology Drawing No. C04-2076B

APPENDIX A: DATA SHEET REVISION HISTORY

Revision A (11/2015)

Initial release of this document.

Revision B (10/2016)

Updated Figures 14-1, 23-3, 23-8, 23-9, and 23-10; Registers 7-5, 7-11, 18-1, 19-1, 24-6, 27-11, 31-3, 31-4, 31-5, 31-6, 31-7, and 32-4; Section 32.6; Tables 3, 4, 3-4, 3-6, 3-7, 3-14, 3-15, 3-18, 12-1, 12-2, 12-3, 24-4, 25-5, 27-5, 27-6, 28-1, 32-4, 36-1, 36-2, 36-7 and 36-8.

Updated the Cover page.

Section 20.5 rewritten. Added Characterization Data.

THE MICROCHIP WEBSITE

Microchip provides online support via our website at www.microchip.com. This website is used as a means to make files and information easily available to customers. Accessible by using your favorite Internet browser, the website contains the following information:

- **Product Support** – Data sheets and errata, application notes and sample programs, design resources, user's guides and hardware support documents, latest software releases and archived software
- **General Technical Support** – Frequently Asked Questions (FAQ), technical support requests, online discussion groups, Microchip consultant program member listing
- **Business of Microchip** – Product selector and ordering guides, latest Microchip press releases, listing of seminars and events, listings of Microchip sales offices, distributors and factory representatives

CUSTOMER CHANGE NOTIFICATION SERVICE

Microchip's customer notification service helps keep customers current on Microchip products. Subscribers will receive e-mail notification whenever there are changes, updates, revisions or errata related to a specified product family or development tool of interest.

To register, access the Microchip website at www.microchip.com. Under "Support", click on "Customer Change Notification" and follow the registration instructions.

CUSTOMER SUPPORT

Users of Microchip products can receive assistance through several channels:

- Distributor or Representative
- Local Sales Office
- Field Application Engineer (FAE)
- Technical Support

Customers should contact their distributor, representative or Field Application Engineer (FAE) for support. Local sales offices are also available to help customers. A listing of sales offices and locations is included in the back of this document.

Technical support is available through the website at: <http://www.microchip.com/support>

PRODUCT IDENTIFICATION SYSTEM

To order or obtain information, e.g., on pricing or delivery, refer to the factory or the listed sales office.

<u>PART NO.</u>	<u>[X]⁽¹⁾</u>	-	<u>X</u>	<u>/XX</u>	<u>XXX</u>
Device	Tape and Reel Option		Temperature Range	Package	Pattern
<p>Device: PIC16F1777, PIC16LF1777, PIC16F1778, PIC16LF1778, PIC16F1779, PIC16LF1779</p> <p>Tape and Reel Option: Blank = Standard packaging (tube or tray) T = Tape and Reel⁽¹⁾</p> <p>Temperature Range: I = -40°C to +85°C (Industrial) E = -40°C to +125°C (Extended)</p> <p>Package:⁽²⁾ MV = UQFN, 40-pin 5x5x0.5 mm MX = UQFN, 28-pin 6x6x0.5 mm P = PDIP, 40-pin PT = TQFN, 44-pin 10x10 mm ML = QFN, 44-pin 8x8 mm SO = SOIC, 28-pin SP = SPDIP, 28-pin SS = SSOP, 28-pin</p> <p>Pattern: QTP, SQTP, Code or Special Requirements (blank otherwise)</p>					
<p>Examples:</p> <p>a) PIC16LF1777-I/P Industrial temperature PDIP package</p> <p>b) PIC16F1779-E/SS Extended temperature SSOP package</p> <p>Note 1: Tape and Reel identifier only appears in the catalog part number description. This identifier is used for ordering purposes and is not printed on the device package. Check with your Microchip Sales Office for package availability with the Tape and Reel option.</p> <p>2: Small form-factor packaging options may be available. Please check www.microchip.com/packaging for small-form factor package availability, or contact your local Sales Office.</p>					

PIC16(L)F1777/8/9

NOTES:

Note the following details of the code protection feature on Microchip devices:

- Microchip products meet the specification contained in their particular Microchip Data Sheet.
- Microchip believes that its family of products is one of the most secure families of its kind on the market today, when used in the intended manner and under normal conditions.
- There are dishonest and possibly illegal methods used to breach the code protection feature. All of these methods, to our knowledge, require using the Microchip products in a manner outside the operating specifications contained in Microchip's Data Sheets. Most likely, the person doing so is engaged in theft of intellectual property.
- Microchip is willing to work with the customer who is concerned about the integrity of their code.
- Neither Microchip nor any other semiconductor manufacturer can guarantee the security of their code. Code protection does not mean that we are guaranteeing the product as “unbreakable.”

Code protection is constantly evolving. We at Microchip are committed to continuously improving the code protection features of our products. Attempts to break Microchip's code protection feature may be a violation of the Digital Millennium Copyright Act. If such acts allow unauthorized access to your software or other copyrighted work, you may have a right to sue for relief under that Act.

Information contained in this publication regarding device applications and the like is provided only for your convenience and may be superseded by updates. It is your responsibility to ensure that your application meets with your specifications. MICROCHIP MAKES NO REPRESENTATIONS OR WARRANTIES OF ANY KIND WHETHER EXPRESS OR IMPLIED, WRITTEN OR ORAL, STATUTORY OR OTHERWISE, RELATED TO THE INFORMATION, INCLUDING BUT NOT LIMITED TO ITS CONDITION, QUALITY, PERFORMANCE, MERCHANTABILITY OR FITNESS FOR PURPOSE. Microchip disclaims all liability arising from this information and its use. Use of Microchip devices in life support and/or safety applications is entirely at the buyer's risk, and the buyer agrees to defend, indemnify and hold harmless Microchip from any and all damages, claims, suits, or expenses resulting from such use. No licenses are conveyed, implicitly or otherwise, under any Microchip intellectual property rights unless otherwise stated.

Microchip received ISO/TS-16949:2009 certification for its worldwide headquarters, design and wafer fabrication facilities in Chandler and Tempe, Arizona; Gresham, Oregon and design centers in California and India. The Company's quality system processes and procedures are for its PIC® MCUs and dsPIC® DSCs, KEELoQ® code hopping devices, Serial EEPROMs, microperipherals, nonvolatile memory and analog products. In addition, Microchip's quality system for the design and manufacture of development systems is ISO 9001:2000 certified.

**QUALITY MANAGEMENT SYSTEM
CERTIFIED BY DNV
= ISO/TS 16949 =**

Trademarks

The Microchip name and logo, the Microchip logo, AnyRate, dsPIC, FlashFlex, flexPWR, Heldo, JukeBlox, KEELoQ, KEELoQ logo, Klear, LANCheck, LINK MD, MediaLB, MOST, MOST logo, MPLAB, OptoLyzer, PIC, PICSTART, PIC32 logo, RightTouch, SpyNIC, SST, SST Logo, SuperFlash and UNI/O are registered trademarks of Microchip Technology Incorporated in the U.S.A. and other countries.

ClockWorks, The Embedded Control Solutions Company, ETHERSYNCH, Hyper Speed Control, HyperLight Load, IntelliMOS, mTouch, Precision Edge, and QUIET-WIRE are registered trademarks of Microchip Technology Incorporated in the U.S.A.

Analog-for-the-Digital Age, Any Capacitor, AnyIn, AnyOut, BodyCom, chipKIT, chipKIT logo, CodeGuard, dsPICDEM, dsPICDEM.net, Dynamic Average Matching, DAM, ECAN, EtherGREEN, In-Circuit Serial Programming, ICSP, Inter-Chip Connectivity, JitterBlocker, KlearNet, KlearNet logo, MiWi, motorBench, MPASM, MPF, MPLAB Certified logo, MPLIB, MPLINK, MultiTRAK, NetDetach, Omniscient Code Generation, PICDEM, PICDEM.net, PICkit, PICtail, PureSilicon, RightTouch logo, REAL ICE, Ripple Blocker, Serial Quad I/O, SQL, SuperSwitcher, SuperSwitcher II, Total Endurance, TSHARC, USBCheck, VariSense, ViewSpan, WiperLock, Wireless DNA, and ZENA are trademarks of Microchip Technology Incorporated in the U.S.A. and other countries.

SQTP is a service mark of Microchip Technology Incorporated in the U.S.A.

Silicon Storage Technology is a registered trademark of Microchip Technology Inc. in other countries.

GestIC is a registered trademark of Microchip Technology Germany II GmbH & Co. KG, a subsidiary of Microchip Technology Inc., in other countries.

All other trademarks mentioned herein are property of their respective companies.

© 2015-2016, Microchip Technology Incorporated, Printed in the U.S.A., All Rights Reserved.

ISBN: 978-1-5224-1016-4



MICROCHIP

Worldwide Sales and Service

AMERICAS

Corporate Office
2355 West Chandler Blvd.
Chandler, AZ 85224-6199
Tel: 480-792-7200
Fax: 480-792-7277
Technical Support:
<http://www.microchip.com/support>
Web Address:
www.microchip.com

Atlanta
Duluth, GA
Tel: 678-957-9614
Fax: 678-957-1455

Austin, TX
Tel: 512-257-3370

Boston
Westborough, MA
Tel: 774-760-0087
Fax: 774-760-0088

Chicago
Itasca, IL
Tel: 630-285-0071
Fax: 630-285-0075

Cleveland
Independence, OH
Tel: 216-447-0464
Fax: 216-447-0643

Dallas
Addison, TX
Tel: 972-818-7423
Fax: 972-818-2924

Detroit
Novi, MI
Tel: 248-848-4000

Houston, TX
Tel: 281-894-5983

Indianapolis
Noblesville, IN
Tel: 317-773-8323
Fax: 317-773-5453

Los Angeles
Mission Viejo, CA
Tel: 949-462-9523
Fax: 949-462-9608

New York, NY
Tel: 631-435-6000

San Jose, CA
Tel: 408-735-9110

Canada - Toronto
Tel: 905-695-1980
Fax: 905-695-2078

ASIA/PACIFIC

Asia Pacific Office
Suites 3707-14, 37th Floor
Tower 6, The Gateway
Harbour City, Kowloon

Hong Kong
Tel: 852-2943-5100
Fax: 852-2401-3431

Australia - Sydney
Tel: 61-2-9868-6733
Fax: 61-2-9868-6755

China - Beijing
Tel: 86-10-8569-7000
Fax: 86-10-8528-2104

China - Chengdu
Tel: 86-28-8665-5511
Fax: 86-28-8665-7889

China - Chongqing
Tel: 86-23-8980-9588
Fax: 86-23-8980-9500

China - Dongguan
Tel: 86-769-8702-9880

China - Guangzhou
Tel: 86-20-8755-8029

China - Hangzhou
Tel: 86-571-8792-8115
Fax: 86-571-8792-8116

China - Hong Kong SAR
Tel: 852-2943-5100
Fax: 852-2401-3431

China - Nanjing
Tel: 86-25-8473-2460
Fax: 86-25-8473-2470

China - Qingdao
Tel: 86-532-8502-7355
Fax: 86-532-8502-7205

China - Shanghai
Tel: 86-21-5407-5533
Fax: 86-21-5407-5066

China - Shenyang
Tel: 86-24-2334-2829
Fax: 86-24-2334-2393

China - Shenzhen
Tel: 86-755-8864-2200
Fax: 86-755-8203-1760

China - Wuhan
Tel: 86-27-5980-5300
Fax: 86-27-5980-5118

China - Xian
Tel: 86-29-8833-7252
Fax: 86-29-8833-7256

ASIA/PACIFIC

China - Xiamen
Tel: 86-592-2388138
Fax: 86-592-2388130

China - Zhuhai
Tel: 86-756-3210040
Fax: 86-756-3210049

India - Bangalore
Tel: 91-80-3090-4444
Fax: 91-80-3090-4123

India - New Delhi
Tel: 91-11-4160-8631
Fax: 91-11-4160-8632

India - Pune
Tel: 91-20-3019-1500

Japan - Osaka
Tel: 81-6-6152-7160
Fax: 81-6-6152-9310

Japan - Tokyo
Tel: 81-3-6880-3770
Fax: 81-3-6880-3771

Korea - Daegu
Tel: 82-53-744-4301
Fax: 82-53-744-4302

Korea - Seoul
Tel: 82-2-554-7200
Fax: 82-2-558-5932 or
82-2-558-5934

Malaysia - Kuala Lumpur
Tel: 60-3-6201-9857
Fax: 60-3-6201-9859

Malaysia - Penang
Tel: 60-4-227-8870
Fax: 60-4-227-4068

Philippines - Manila
Tel: 63-2-634-9065
Fax: 63-2-634-9069

Singapore
Tel: 65-6334-8870
Fax: 65-6334-8850

Taiwan - Hsin Chu
Tel: 886-3-5778-366
Fax: 886-3-5770-955

Taiwan - Kaohsiung
Tel: 886-7-213-7828

Taiwan - Taipei
Tel: 886-2-2508-8600
Fax: 886-2-2508-0102

Thailand - Bangkok
Tel: 66-2-694-1351
Fax: 66-2-694-1350

EUROPE

Austria - Wels
Tel: 43-7242-2244-39
Fax: 43-7242-2244-393

Denmark - Copenhagen
Tel: 45-4450-2828
Fax: 45-4485-2829

France - Paris
Tel: 33-1-69-53-63-20
Fax: 33-1-69-30-90-79

Germany - Dusseldorf
Tel: 49-2129-3766400

Germany - Karlsruhe
Tel: 49-721-625370

Germany - Munich
Tel: 49-89-627-144-0
Fax: 49-89-627-144-44

Italy - Milan
Tel: 39-0331-742611
Fax: 39-0331-466781

Italy - Venice
Tel: 39-049-7625286

Netherlands - Drunen
Tel: 31-416-690399
Fax: 31-416-690340

Poland - Warsaw
Tel: 48-22-3325737

Spain - Madrid
Tel: 34-91-708-08-90
Fax: 34-91-708-08-91

Sweden - Stockholm
Tel: 46-8-5090-4654

UK - Wokingham
Tel: 44-118-921-5800
Fax: 44-118-921-5820

06/23/16