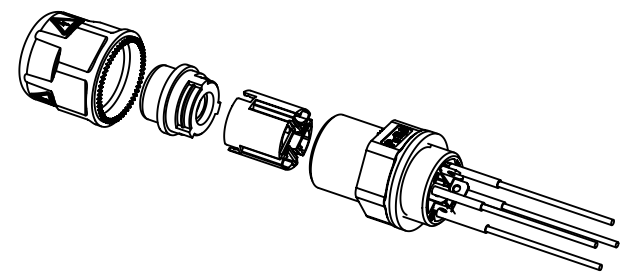
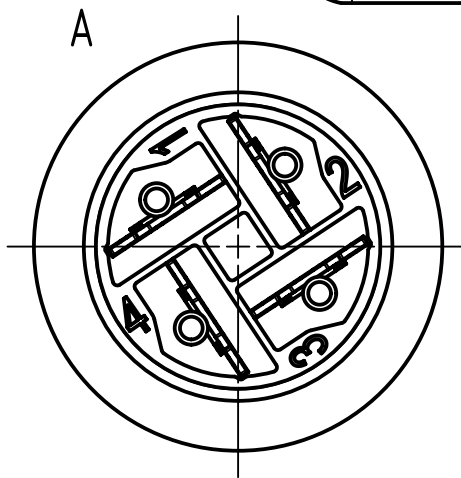
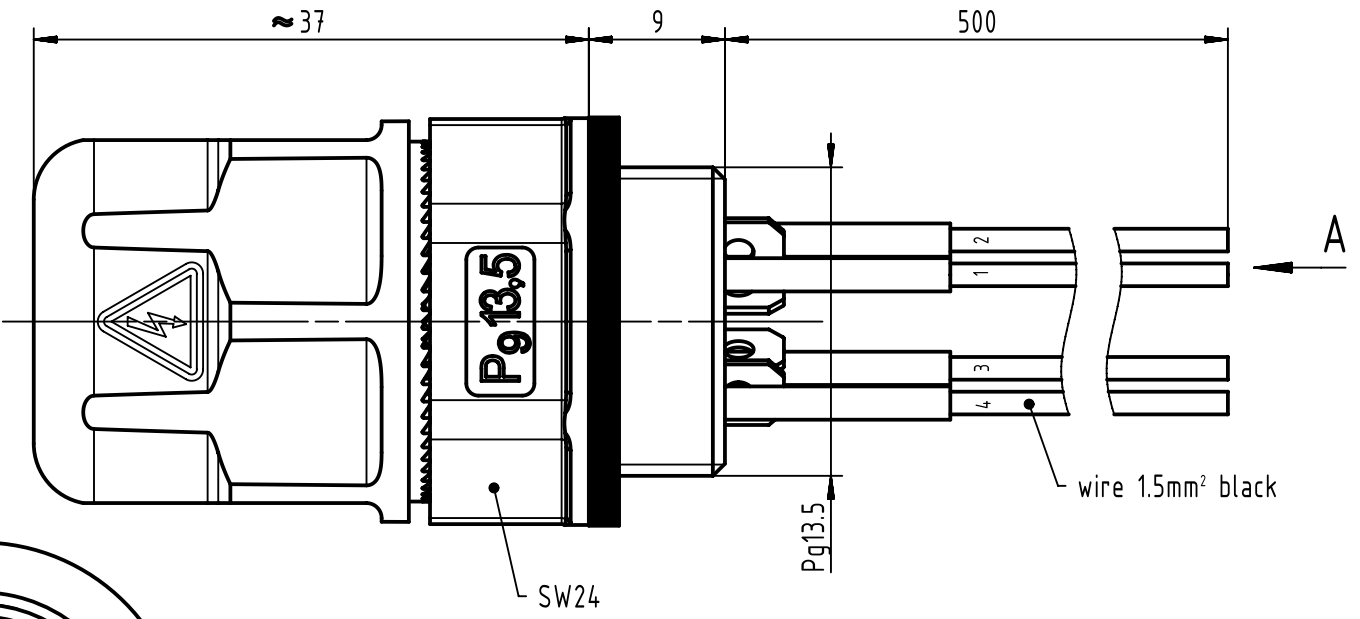
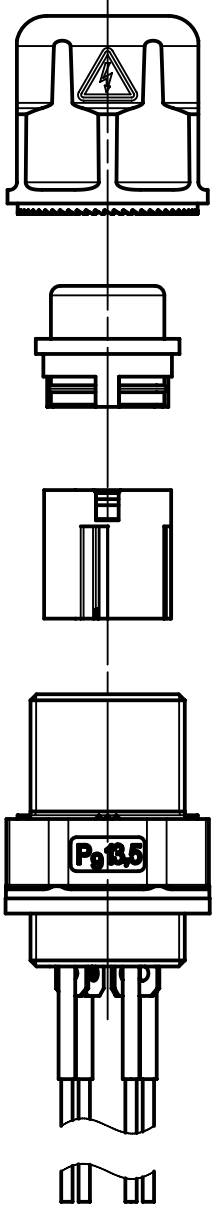


1 2 3 4 5 6

(1:1)



	All rights reserved Department EC PD - DE	All Dimensions in mm Original Size DIN A4		Scale 2:1	Free size tol.	Ref. Sub.
		Created by DYCKC	Inspected by WELLMANN	Standardisation HOFFMANN	Date 2013-11-21	State Final Release
HARTING Electronics GmbH D-32339 Espelkamp		Title HARAX Pg13.5 PFT 4-pole			Doc-Key / ECM-Nr. 100092904/UGD/002/A 500000068402	
		Type TB	Number 21011401323		Rev. A	Page 1/1