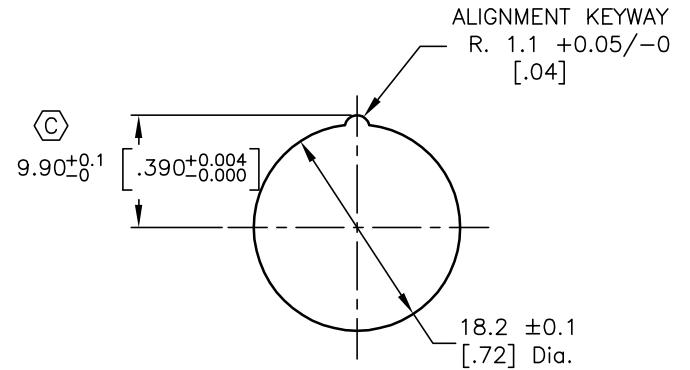
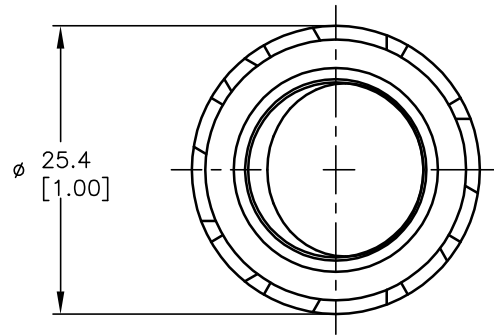
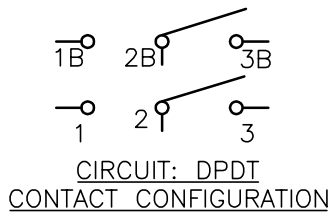


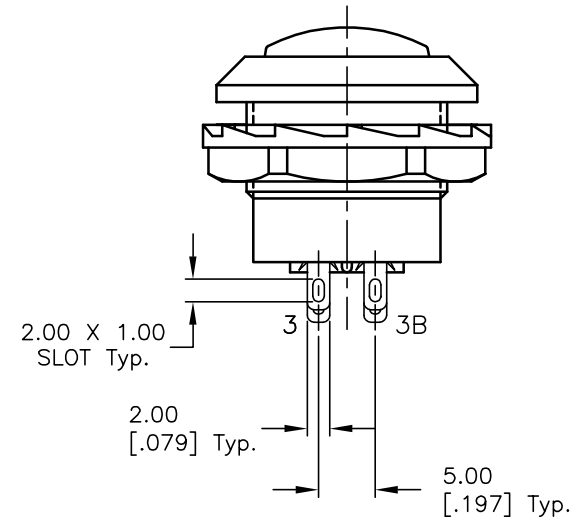
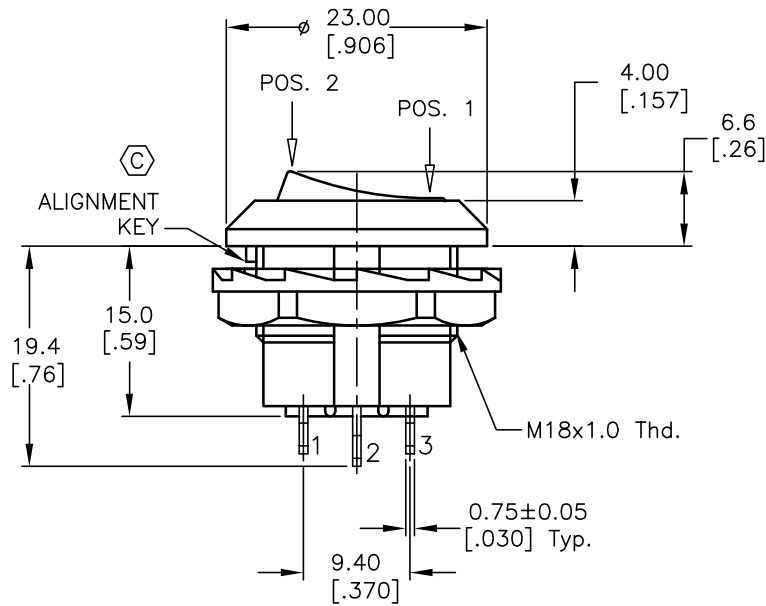
BOTTOM VIEW



RECOMMEND PANEL MOUNTING
6MM PANEL THICKNESS MAX.



SWITCH FUNCTION	
POS. 1	POS. 2
ON	ON
1-2, 1B-2B	2-3, 2B-3B



NOTES:

1. ALL DIMENSIONS IN MM [INCH]
2. GENERAL TOLERANCE: X.X=±0.4
X.XX=±0.25
3. TERM. NOS. FOR REF. ONLY
4. RATING: 10A @125V, 6A @250VAC UL, CUL APPROVED
5. CONTACT RESISTANCE: 50m ohm Max.
6. INSULATION RESISTANCE: DC 500V 100m ohm Min.
7. DIELECTRIC STRENGTH: AC 1500V 1 minute.
8. OPERATING TEMPERATURE: 0°C TO +65°C

C	13812	ADD NOTES, CHANGE DIM, TITLE	3/1/04	AR
B	13108	ADD ORIENTATION POST, CONTACT #S	5/6/03	AR
A	12520	RELEASED FOR PRODUCTION	10/28/02	CB
REV.	ECN No.	DESCRIPTION	DATE	CHKD

THE INFORMATION CONTAINED IN THIS DOCUMENT IS PROPRIETARY TO E-SWITCH AND IS NOT TO BE COPIED OR TRANSFERRED

E-SWITCH®

TITLE				
RR3130BBLKBLKES				
SCALE	DATE	DR	DWG	REV
1.5:1	10/28/02	CB	F030051	C