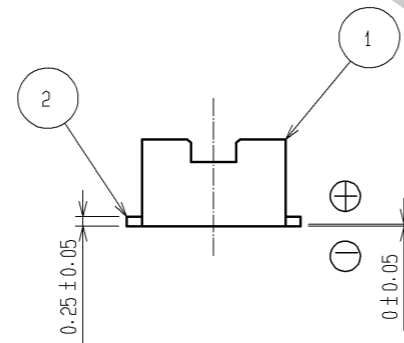
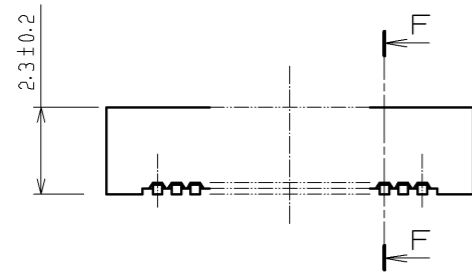
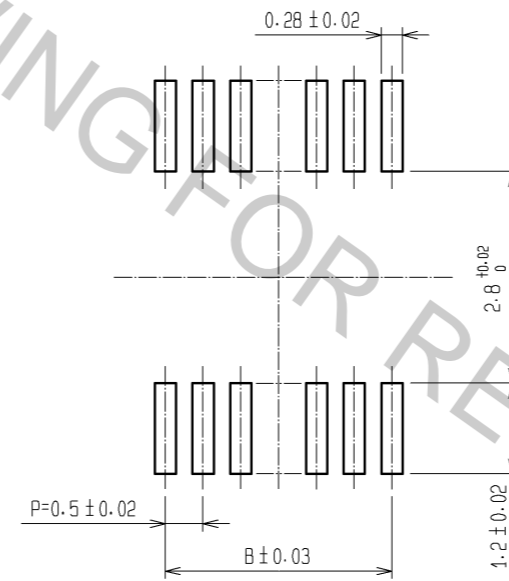


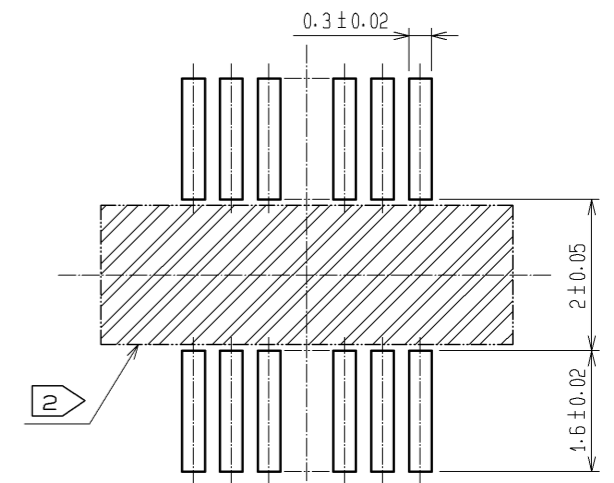
| CODE No.        | CONTACT | A    | B    | C    | D    | E    |
|-----------------|---------|------|------|------|------|------|
| CL537-0826-8-81 | 10      | 4.7  | 2.0  | 2.8  | 3.2  | 2.8  |
| CL537-0921-9-81 | 14      | 5.7  | 3.0  | 3.8  | 4.2  | 3.8  |
| CL537-0828-3-81 | 20      | 7.2  | 4.5  | 5.3  | 5.7  | 5.3  |
| CL537-0830-5-81 | 30      | 9.7  | 7.0  | 7.8  | 8.2  | 7.8  |
| CL537-0837-4-81 | 32      | 10.2 | 7.5  | 8.3  | 8.7  | 8.3  |
| CL537-0831-8-81 | 36      | 11.2 | 8.5  | 9.3  | 9.7  | 9.3  |
| CL537-0832-0-81 | 40      | 12.2 | 9.5  | 10.3 | 10.7 | 10.3 |
| CL537-0834-6-81 | 50      | 14.7 | 12.0 | 12.8 | 13.2 | 12.8 |
| CL537-0836-1-81 | 60      | 17.2 | 14.5 | 15.3 | 15.7 | 15.3 |
| CL537-0838-7-81 | 80      | 22.2 | 19.5 | 20.3 | 20.7 | 20.3 |



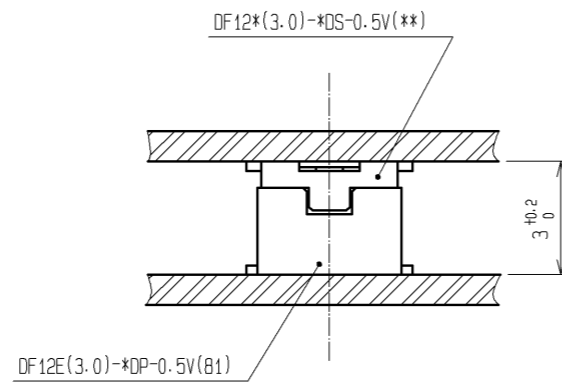
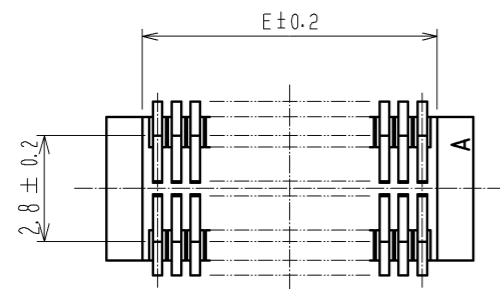
RECOMMEND METAL MASK PATTERN (10:1)



RECOMMENDED LAND PATTERN (10:1)

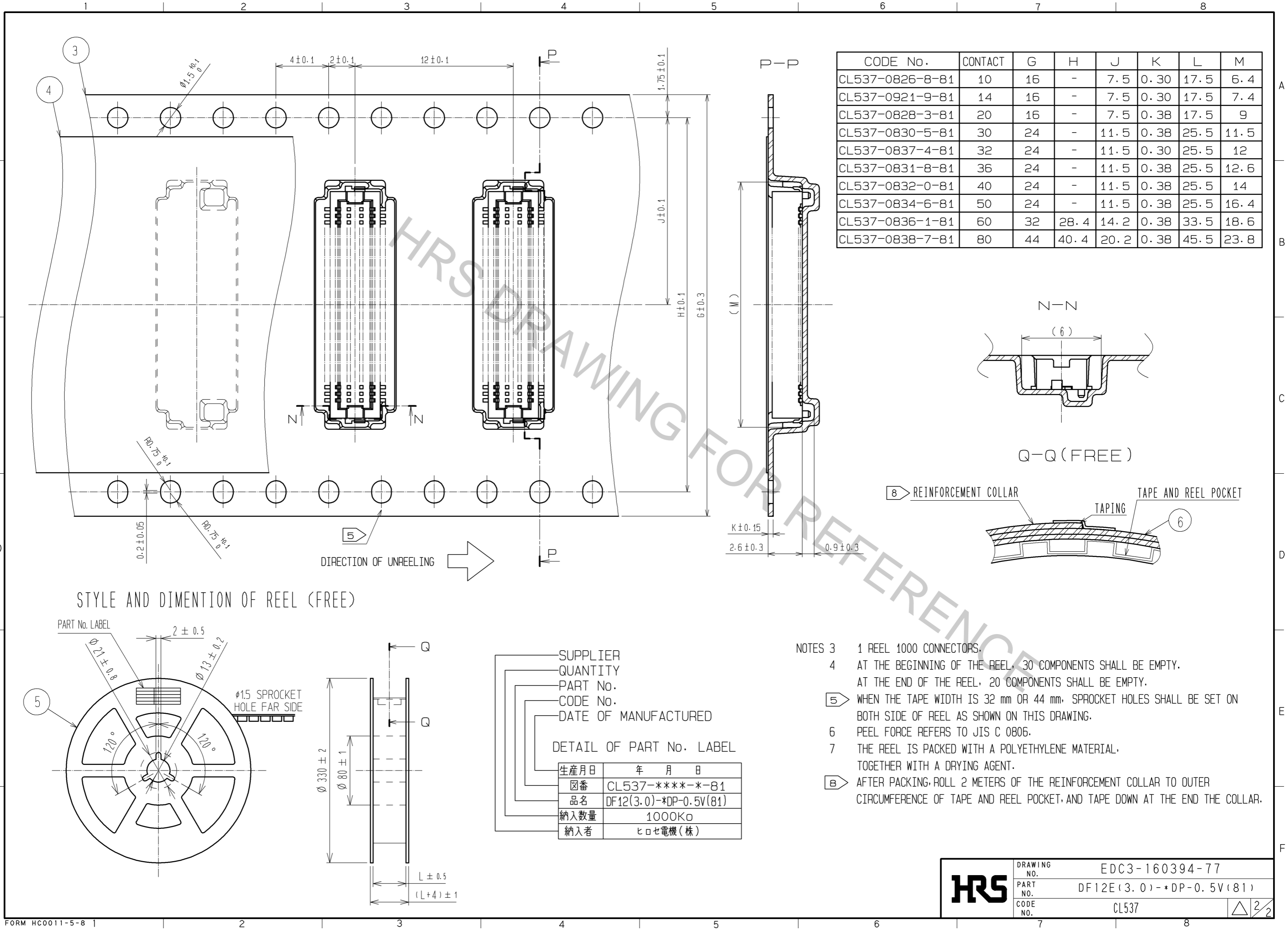


RECOMMENDED THICKNESS OF SOLDER PASTE : 120 μm

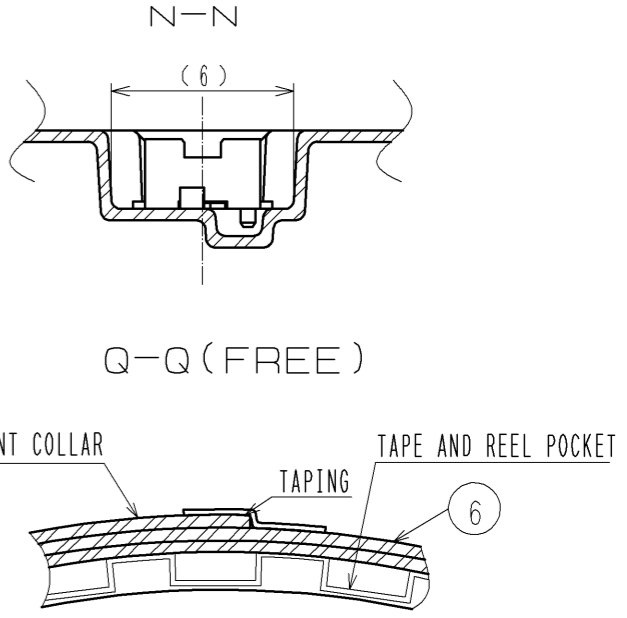


NOTES 1 LEAD CO-PLANARITY SHALL BE 0.08 mm MAX.  
 2 IF THERE IS PATTERN ON PART, THERE IS A POSSIBILITY THAT IT WILL MAKE CONTACT WITH THE LEADS.

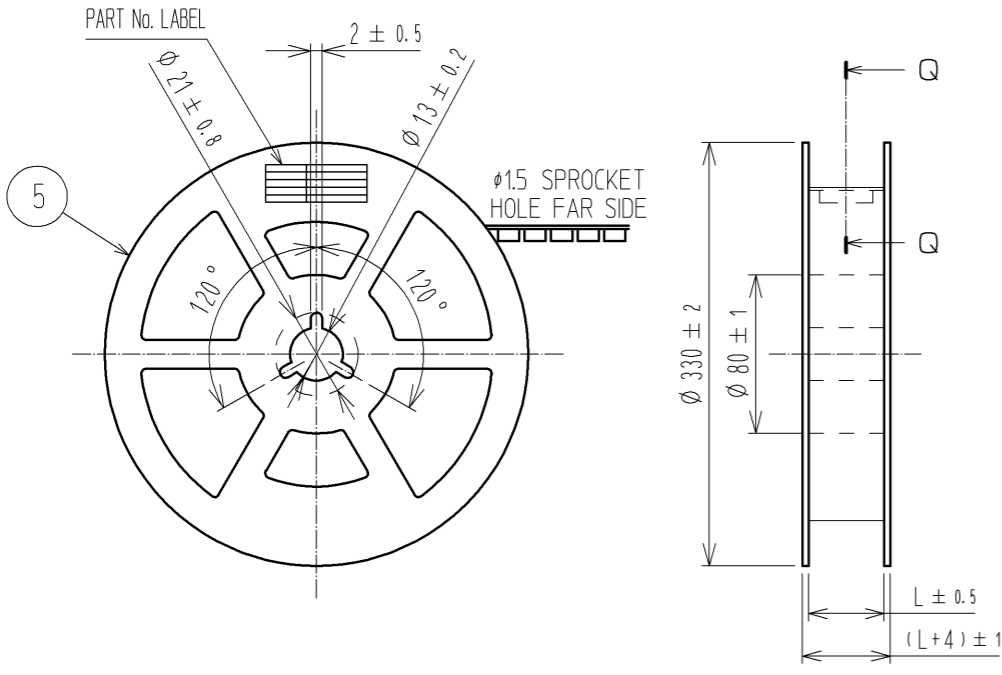
| 2                                    | PHOSPHOR BRONZE | CONTACT AREA:GOLD PLATED 0.2μm min          | 6         | PS                              | CLEAR (REINFORCEMENT COLLAR)  |          |         |      |
|--------------------------------------|-----------------|---|-----------|---------------------------------|-------------------------------|----------|---------|------|
|                                      |                 | LEAD AREA:GOLD PLATED 0.015μm min           | 5         | PS                              | BLACK (PLASTIC REEL)          |          |         |      |
|                                      |                 | OTHERS(UNDER PLATING):NICKEL PLATED 2μm min | 4         | POLYESTER                       | CLEAR (COVER TAPE)            |          |         |      |
| 1                                    | POLYAMIDE       | UL94V-0, NATURAL (BEIGE)                    | 3         | PS                              | CLEAR (EMBOSSED CARRIER TAPE) |          |         |      |
| NO.                                  | MATERIAL        | FINISH . REMARKS                            | NO.       | MATERIAL                        | FINISH . REMARKS              |          |         |      |
| UNITS<br>mm                          |                 | SCALE<br>5 : 1                              | COUNT<br> | DESCRIPTION OF REVISIONS        |                               | DESIGNED | CHECKED | DATE |
| <b>HRS</b> HIROSE ELECTRIC CO., LTD. |                 | APPROVED : KH. IKEDA                        | 11.12.12  | DRAWING NO. EDC3-160394-77      |                               |          |         |      |
|                                      |                 | CHECED : TS. MIYAZAKI                       | 11.12.12  | PART NO. DF12E(3.0)*DP-0.5V(81) |                               |          |         |      |
|                                      |                 | DESIGNED : YH. MICHIDA                      | 11.12.12  | CODE NO. CL537                  |                               |          |         |      |
|                                      |                 | DRAWN : KR. AJITO                           | 11.12.09  |                                 |                               |          |         |      |



| CODE No.        | CONTACT | G  | H    | J    | K    | L    | M    |
|-----------------|---------|----|------|------|------|------|------|
| CL537-0826-8-81 | 10      | 16 | -    | 7.5  | 0.30 | 17.5 | 6.4  |
| CL537-0921-9-81 | 14      | 16 | -    | 7.5  | 0.30 | 17.5 | 7.4  |
| CL537-0828-3-81 | 20      | 16 | -    | 7.5  | 0.38 | 17.5 | 9    |
| CL537-0830-5-81 | 30      | 24 | -    | 11.5 | 0.38 | 25.5 | 11.5 |
| CL537-0837-4-81 | 32      | 24 | -    | 11.5 | 0.30 | 25.5 | 12   |
| CL537-0831-8-81 | 36      | 24 | -    | 11.5 | 0.38 | 25.5 | 12.6 |
| CL537-0832-0-81 | 40      | 24 | -    | 11.5 | 0.38 | 25.5 | 14   |
| CL537-0834-6-81 | 50      | 24 | -    | 11.5 | 0.38 | 25.5 | 16.4 |
| CL537-0836-1-81 | 60      | 32 | 28.4 | 14.2 | 0.38 | 33.5 | 18.6 |
| CL537-0838-7-81 | 80      | 44 | 40.4 | 20.2 | 0.38 | 45.5 | 23.8 |



STYLE AND DIMENTION OF REEL (FREE)



SUPPLIER  
QUANTITY  
PART No.  
CODE No.  
DATE OF MANUFACTURED

DETAIL OF PART No. LABEL

|      |                        |
|------|------------------------|
| 生産月日 | 年 月 日                  |
| 図番   | CL537-****-*-81        |
| 品名   | DF12(3.0)-*DP-0.5V(81) |
| 納入数量 | 1000K $\square$        |
| 納入者  | ヒロセ電機(株)               |

- NOTES
- 3 1 REEL 1000 CONNECTORS.
  - 4 AT THE BEGINNING OF THE REEL, 30 COMPONENTS SHALL BE EMPTY. AT THE END OF THE REEL, 20 COMPONENTS SHALL BE EMPTY.
  - 5 WHEN THE TAPE WIDTH IS 32 mm OR 44 mm, SPROCKET HOLES SHALL BE SET ON BOTH SIDE OF REEL AS SHOWN ON THIS DRAWING.
  - 6 PEEL FORCE REFERS TO JIS C 0806.
  - 7 THE REEL IS PACKED WITH A POLYETHYLENE MATERIAL, TOGETHER WITH A DRYING AGENT.
  - 8 AFTER PACKING, ROLL 2 METERS OF THE REINFORCEMENT COLLAR TO OUTER CIRCUMFERENCE OF TAPE AND REEL POCKET, AND TAPE DOWN AT THE END THE COLLAR.

|            |             |                         |
|------------|-------------|-------------------------|
| <b>HRS</b> | DRAWING NO. | EDC3-160394-77          |
|            | PART NO.    | DF12E(3.0)-*DP-0.5V(81) |
|            | CODE NO.    | CL537                   |