

C5750X7T2J474K250KE

TDK Item Description : C5750X7T2J474KT***S

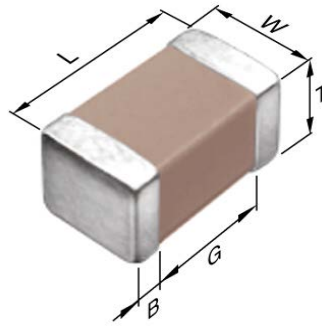


Application & Main Feature

Commercial Grade (Soft Termination)

Series

C5750 [EIA CC2220]



Dimensions

L	5.70mm +0.5,-0.4mm
W	5.00mm +/-0.4mm
T	2.50mm +/-0.3mm
B	0.20mm Min.
G	

Temperature Characteristic

X7T (-55 to 125 degC +22,-33%)

Rated Voltage

2J (630Vdc)

Capacitance

470nF

Capacitance Tolerance

K (+/-10%)

Dissipation Factor

2.5% Max.

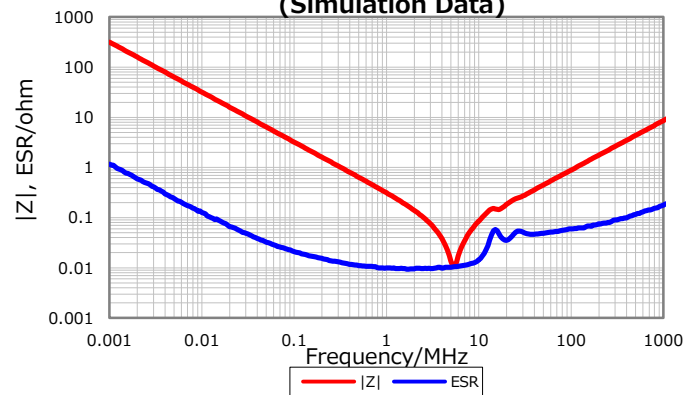
Insulation Resistance

1.063Gohm Min

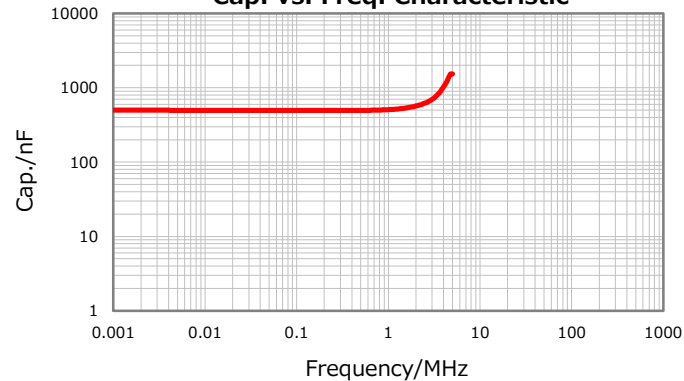
AEC-Q200

Not Applicable

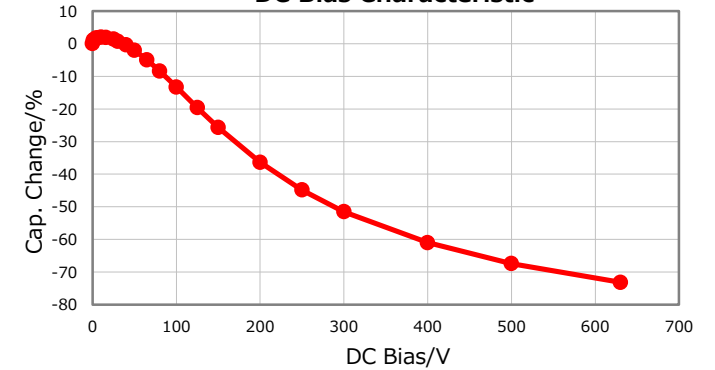
|Z|, ESR vs. Freq. Characteristics (Simulation Data)



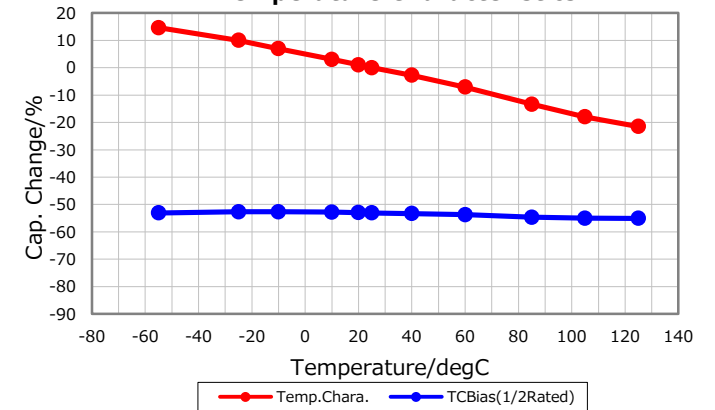
Cap. vs. Freq. Characteristic



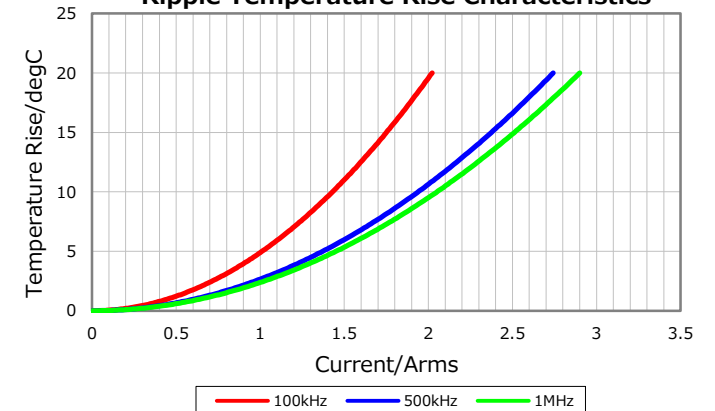
DC Bias Characteristic



Temperature Characteristics



Ripple Temperature Rise Characteristics



Characterization Sheet (Multilayer Ceramic Chip Capacitors)



All specifications are subject to change without notice.

March 16, 2017