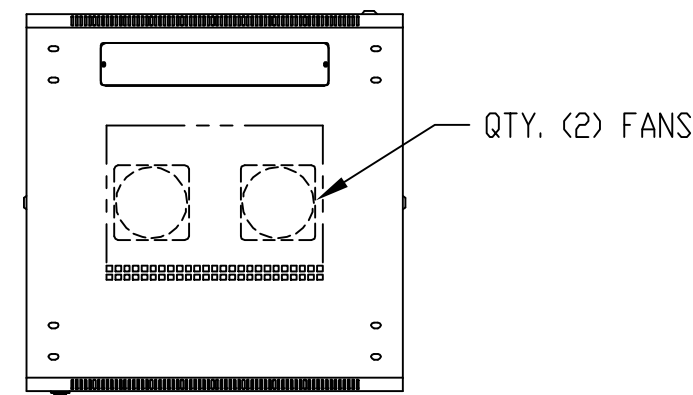


MATERIAL:  
 PANEL MOUNTING RAILS - 14 GA. (0.08" [2.0] THK.) STEEL  
 ALL OTHER PARTS - 18 GA. (0.05" [1.2] THK.) STEEL

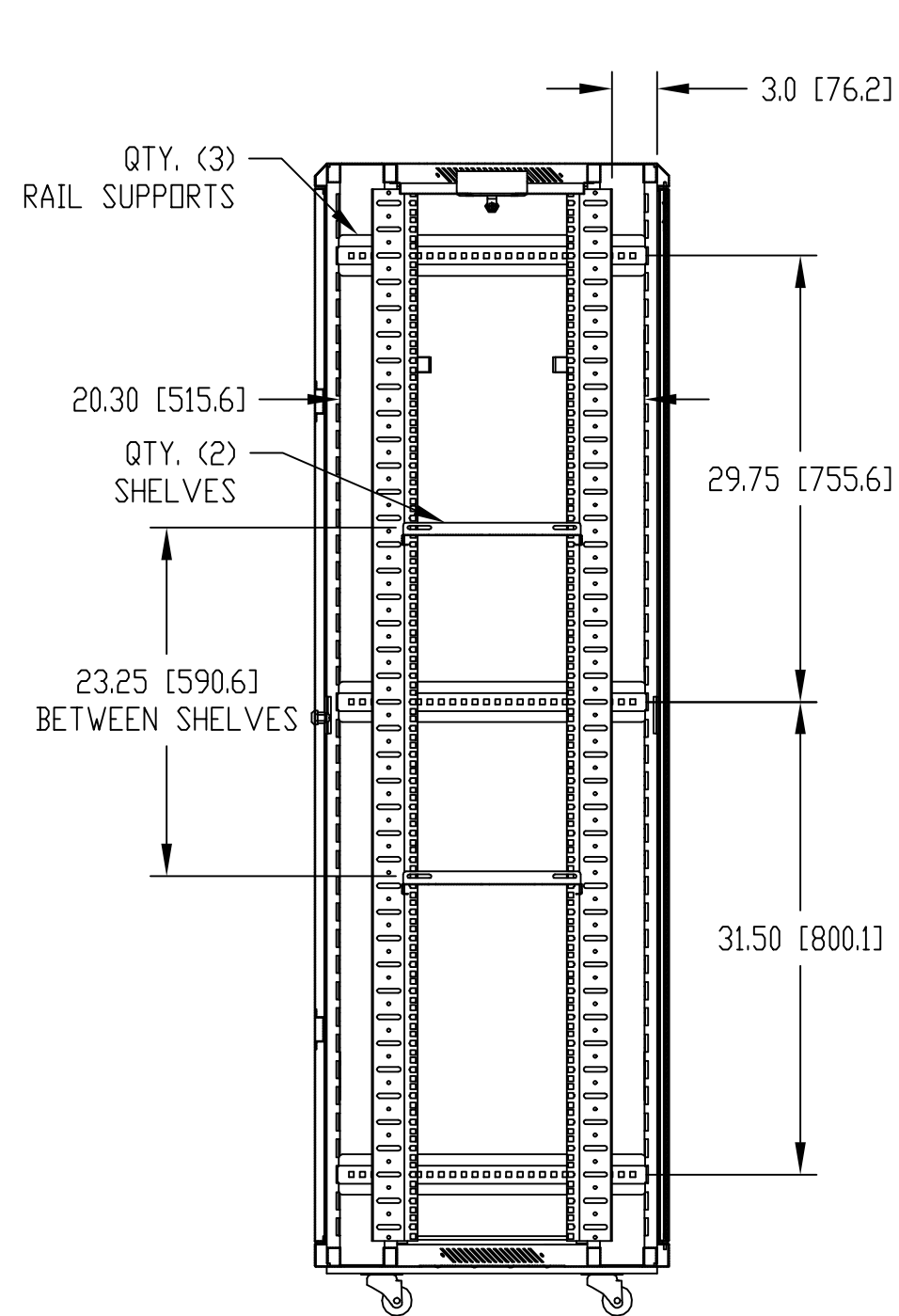
FINISH:  
 BLACK TEXTURED POWDER COATING

PANEL MOUNTING RAILS HAVE 0.35" [8.9] SQUARE HOLES  
 ON E.I.A. UNIVERSAL HOLE SPACING

SUPPLIED HARDWARE KIT TO INCLUDE:  
 QTY. (40) M6 CAGE NUT  
 QTY. (40) M6 PAN HEAD SCREW  
 QTY. (40) NYLON FLAT WASHER  
 QTY. (4) M10 x 2.25" [57.2] LG. STEM LEVELER W/HEX NUT  
 QTY. (8) KEYS

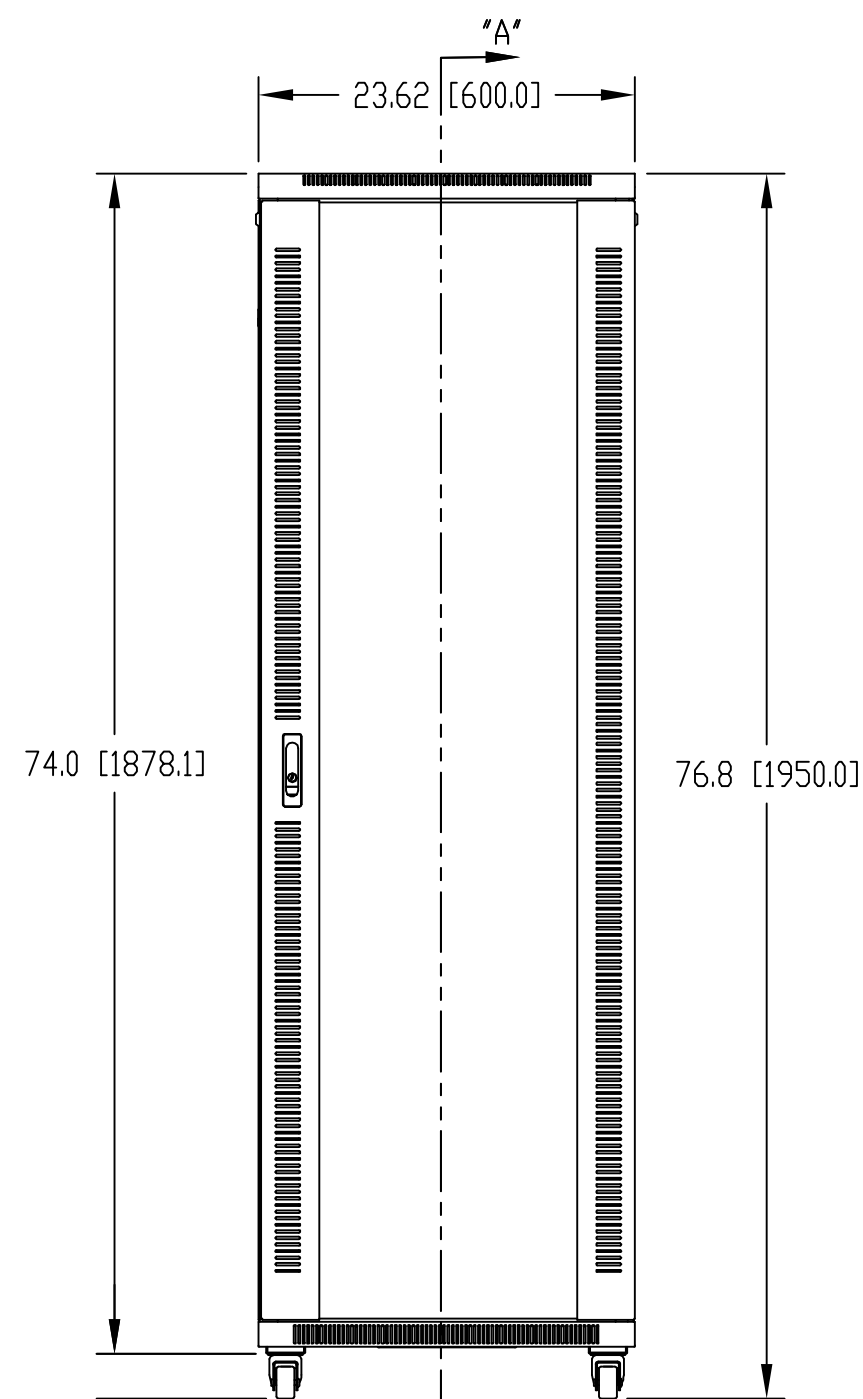


TOP VIEW

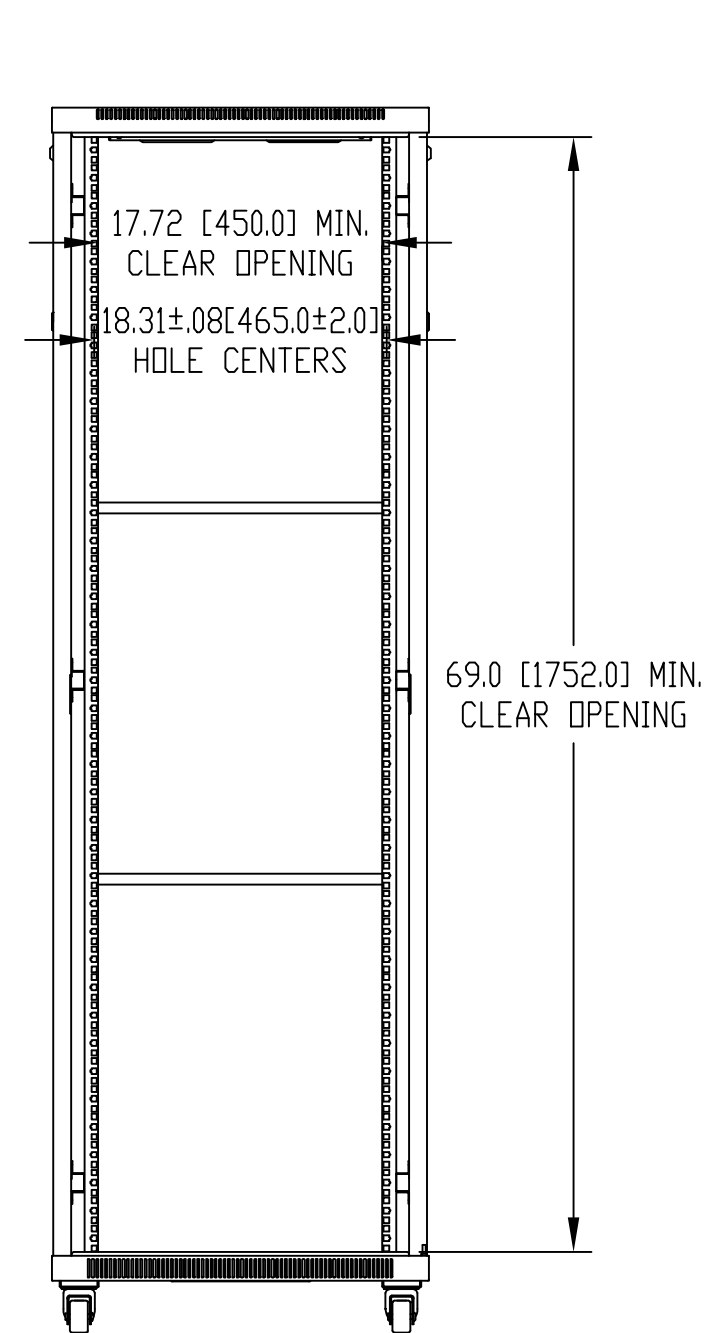


SECTION "A-A"

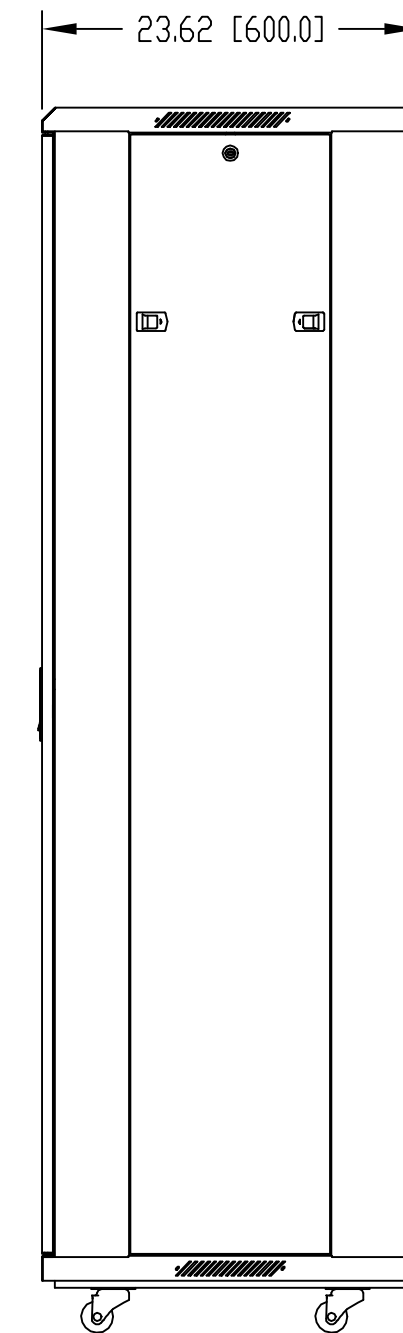
2.85 [71.6] REF. CASTER HT.



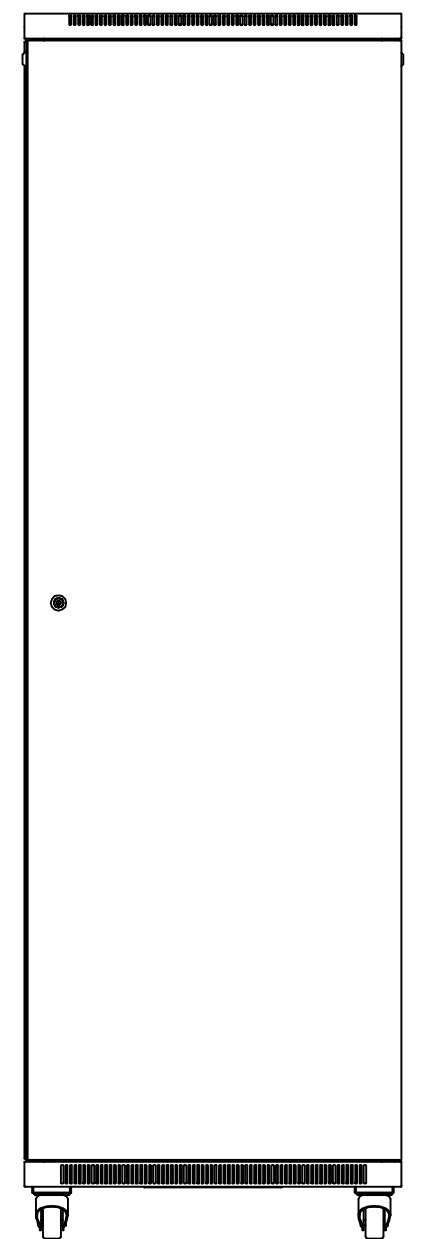
FRONT VIEW



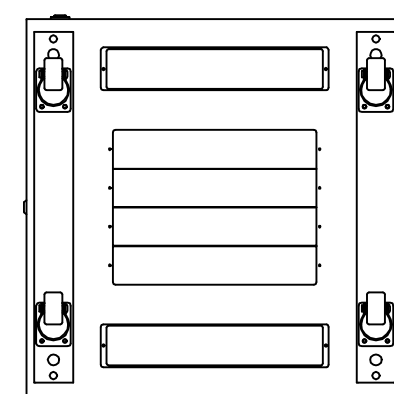
FRONT VIEW (DOOR REMOVED)



RIGHT SIDE VIEW




BACK VIEW



BOTTOM VIEW

TOLERANCE ALL DIMENSIONS: ±0.08" [2.0]

ITEM	REQ'D.	PART NO.	DESCRIPTION
<b>TOLERANCES:</b> ±.005 BETWEEN HOLE CENTERS ±.015 FROM SHEARED EDGE ±.032 FROM A BENT SURFACE ±.063 BETWEEN ASSEMBLED SURFACES UNLESS OTHERWISE SPECIFIED			NAME: 40U BUDRACK PROFESSIONAL SERIES
QTY.	USED ON	MAT: AS NOTED FINISH: AS NOTED DR. DAB 6-20-08 CH. APP.	SCALE:  BUD INDUSTRIES, INC. WILLOUGHBY, OHIO
			DWG. NO. BRP-12206