

4

3

2

1

THIS DRAWING IS UNPUBLISHED.

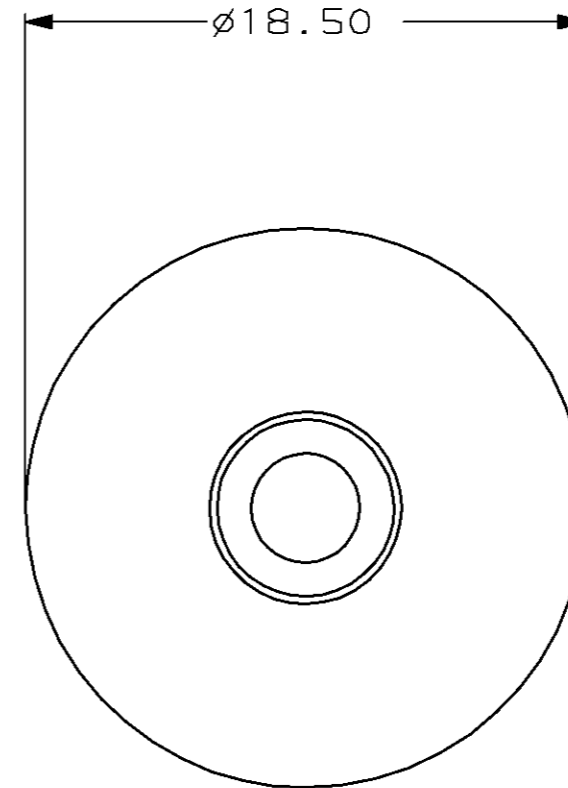
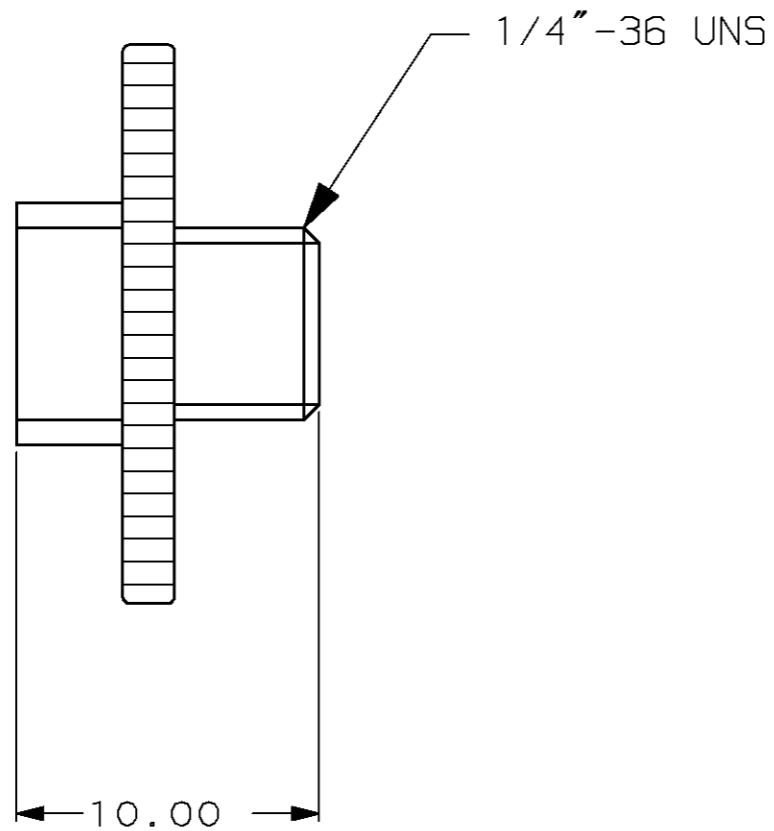
RELEASED FOR PUBLICATION

,19 .

© COPYRIGHT 19

BY AMP INCORPORATED. ALL RIGHTS RESERVED.

LOC	DIST	REVISIONS			
P	LTR	DESCRIPTION	DATE	DWN	APVD
CE	16	A	REVISE PER 0A00-0342-98	18JUN98	JPM SB



1278133-1  
PART NUMBER

THIS DRAWING IS A CONTROLLED DOCUMENT.		DWN J.P. MARSHALL 20MAY98	<b>AMP</b> AMP Incorporated Harrisburg, PA 17105-3608	
DIMENSIONS: mm		CHK J. SABO 20MAY98		
TOLERANCES UNLESS OTHERWISE SPECIFIED:		APVD J.P. MARSHALL 20MAY98	NAME FSMA ADAPTER ECONOMY MICROSCOPE	
0 PLC ±-		PRODUCT SPEC	SIZE	
1 PLC ±-		APPLICATION SPEC	CAGE CODE	DRAWING NO
2 PLC ±-		WEIGHT	RESTRICTED TO	
3 PLC ±-		CUSTOMER DRAWING	A3 00779 C- 1278133	
4 PLC ±-		SCALE	SHEET	REV
ANGLES ±-		4:1	1 OF 1	A
MATERIAL	FINISH			