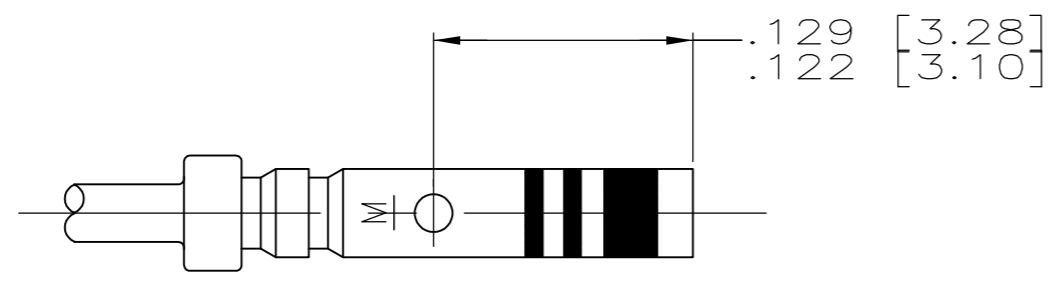
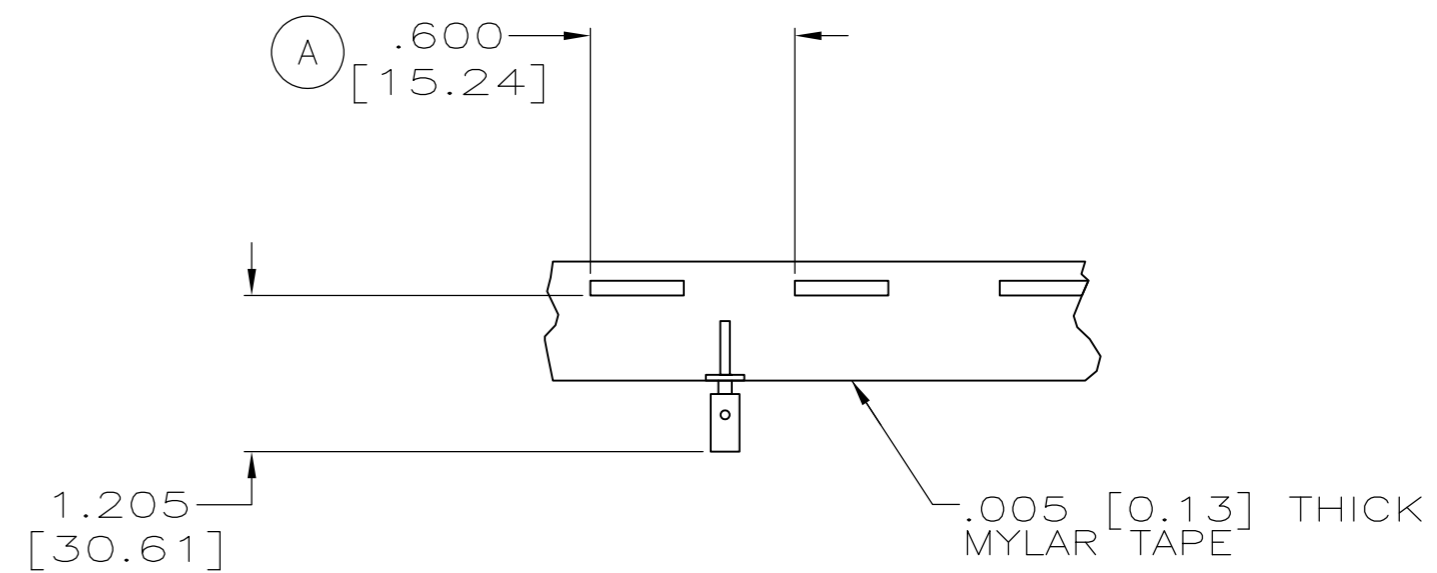
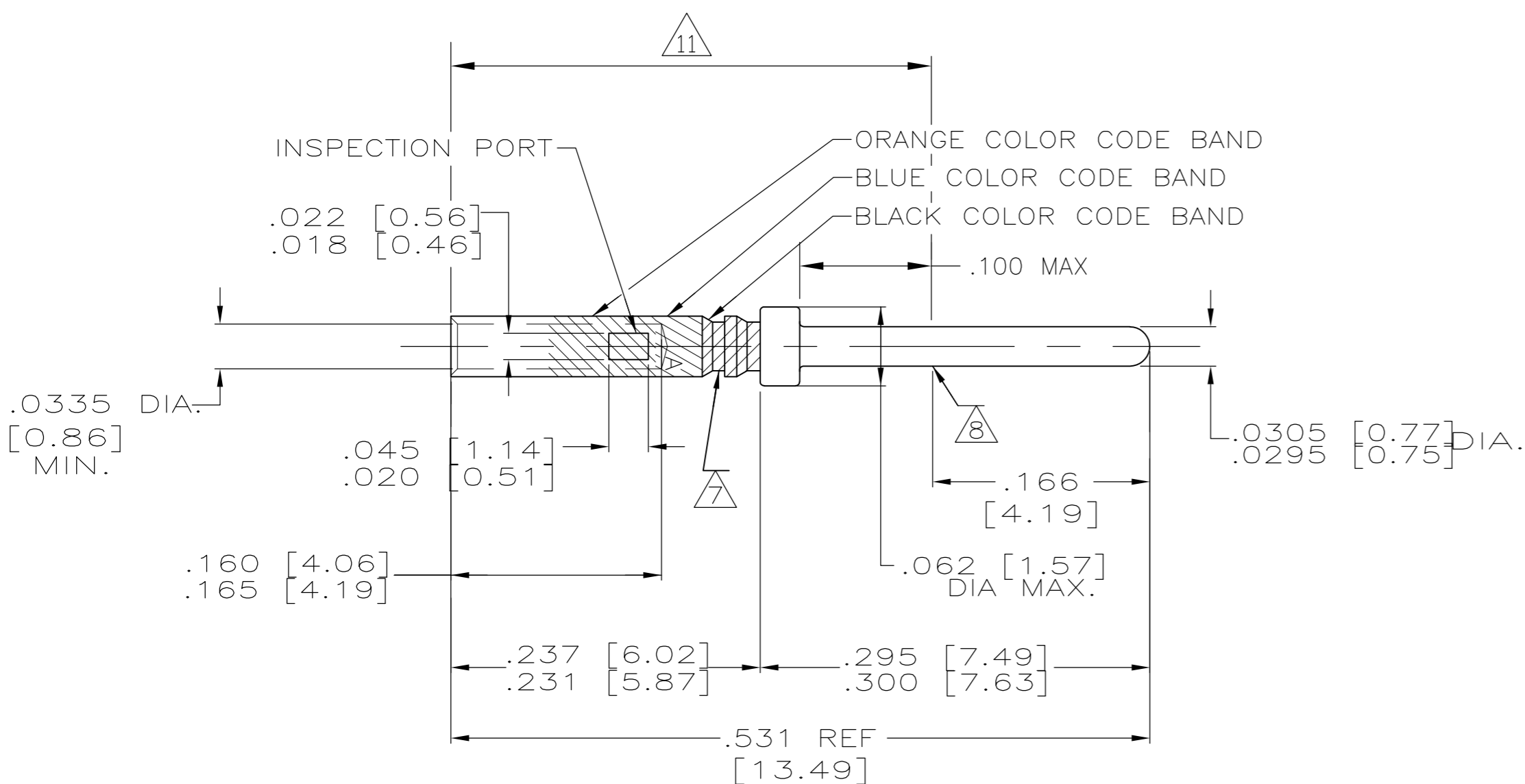


THIS DRAWING IS UNPUBLISHED. RELEASED FOR PUBLICATION
 © COPYRIGHT - By - ALL RIGHTS RESERVED.

LOC		DIST		REVISIONS			
P	LTR	DESCRIPTION		DATE	DWN	APVD	
	S	REV PER ECO-12-007856		25APR12	PY	RL	

1. WIRE BARREL WILL ACCEPT #22-28 AWG WIRE.
2. CRIMPING TOOL- USE MS3198-1 WITH APPLICABLE POSITIONER.
3. CONTACT CONFORMS TO MIL-C-39029/58, SIZE 22. & MS27493-22D.
4. NET WEIGHT- .072 GRAMS.
5. INSERTION, EXTRACTION TOOL- AMP P/N 91067-1.
6. THIS CONTACT IDENTIFIED AS MS27493-22D SUPERSEDES M24308/13-1.
7. IDENTIFICATION GROOVE IS OPTIONAL.
8. POINT OF PLATING THICKNESS MEASUREMENT.
9. PLATING: GOLD PER ASTM-B-488 OVER NICKEL PER QQ-N-290.
10. PLATING: GOLD PER ASTM-B-488 OVER COPPER PER AMS 2418
11. MANUFACTURER'S LOGO ("A" OR "- . .") MARKED IN THIS AREA.



ALTERNATE CONFIGURATION

WHEN ORDERING CONTACT ON TAPE, ORDER BY THE TAPE NUMBER PLUS THE PACKAGEING CODE AS FOLLOWS:

2. FOR USE WITH AMP TAPETRONIC, PNEUMATIC TOOL-
 A. 1000 PARTS TO A BOX ADD PACKAGING CODE: 1MBOX
3. FOR USE WITH 4/8 INDENT STRIPPER CRIMPER-
 A. 1000 PARTS TO A REEL ADD PACKAGING CODE: 1MREEL
 B. 5000 PARTS TO A REEL ADD PACKAGING CODE: 5MREEL

AS SHOWN	9	1-204370-3
CONTACTS ON TAPE WITH COLOR CODE	SAME AS -3	1-204370-2
WITHOUT COLOR CODE	10	204370-8
CONTACTS ON TAPE	SAME AS -2	204370-5
AS SHOWN	9	204370-2
DESCRIPTION	PLATING	PART NO.

THIS DRAWING IS A CONTROLLED DOCUMENT.		DWN R. RINEHART 10-3-90	TE TE Connectivity	
DIMENSIONS: INCHES		CHK A. EMADI 10-15-90		
TOLERANCES UNLESS OTHERWISE SPECIFIED:		APVD A. EMADI 10-15-90	NAME CONTACT PIN, SIZE 22D	
0 PLC ± -		PRODUCT SPEC	-	
1 PLC ± -		APPLICATION SPEC	-	
2 PLC ± -			-	
3 PLC ± .005			-	
4 PLC ± -			-	
ANGLES ± -			-	
MATERIAL	FINISH	WEIGHT	SIZE A2	CAGE CODE 00779
-	-	-	DRAWING NO C=204370	RESTRICTED TO -
CUSTOMER DRAWING			SCALE 10:1	SHEET 1 OF 1
			REV S	