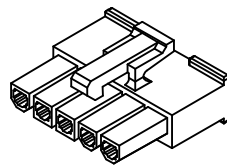
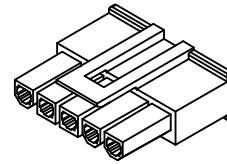


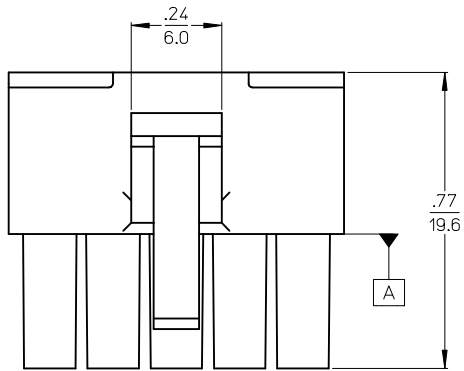
OPTIONAL ENGINEERING NUMBER LOCATION



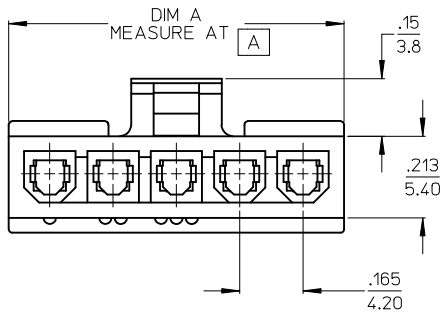
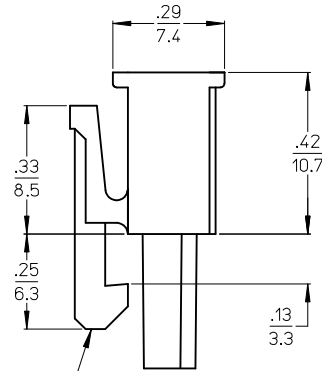
POSITIVE LATCH
SCALE 2:1



PASSIVE LATCH
SCALE 2:1



POSITIVE LATCH



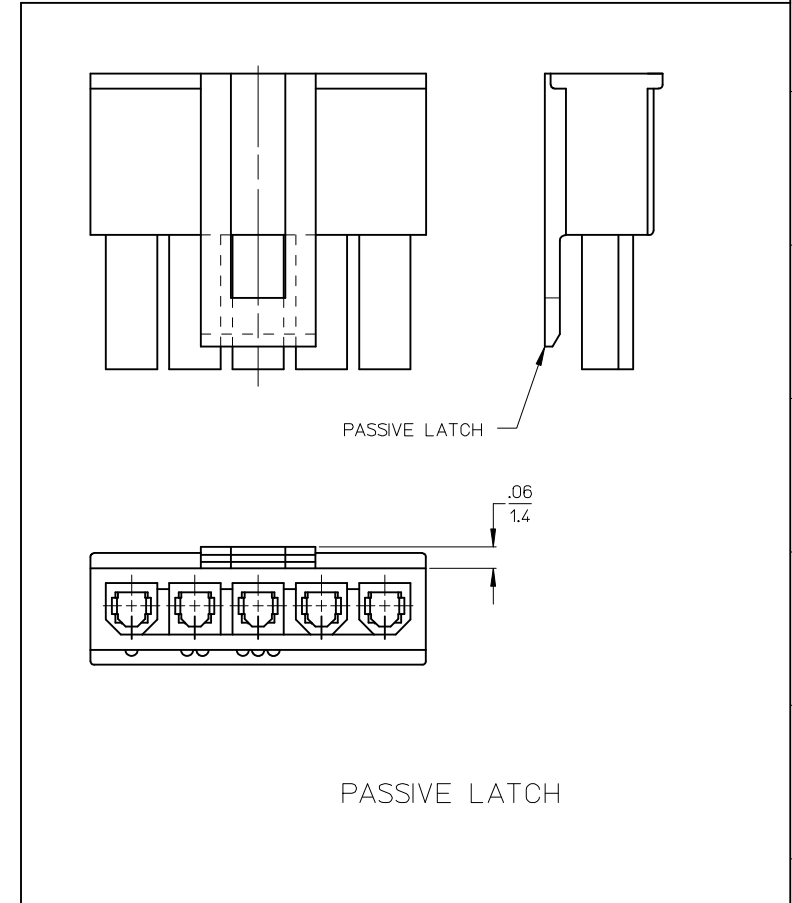
LEGEND:

46994-*** **
 CIRCUIT SIZE _____
 MATERIAL SEE NOTE 1
 CONFIGURATION
 2= SINGLE ROW, POSITIVE LATCH
 4= SINGLE ROW, PASSIVE LATCH

NOTES:

- 1) MATERIAL:
 0 = NYLON, UL94V-2, COLOR: NATURAL, (BEIGE); IEC 60335-1, 5th EDITION GLOW WIRE CAPABLE.
 1 = NYLON, UL94V-2, COLOR: BLACK; IEC 60335-1, 5th EDITION GLOW WIRE CAPABLE.
- 2) FINISH: NOT APPLICABLE
- 3) PRODUCT SPECIFICATION: PS-5556-001
- 4) PACKAGING: BULK
- 5) PART MATES WITH MOLEX PLUG #172646 AND HEADERS #172647 AND #172648.
- 6) PART TO BE USED WITH MOLEX FEMALE TERMINAL #5556.
- 7) PART IS NOT DESIGNED FOR CURRENT SHARING.
- 8) CONNECTORS ARE NOT TO BE MATED OR UNMATED WHILE CIRCUITS ARE LIVE.
- 9) WIRES ARE TO BE DRESSED IN SUCH A MANNER TO ALLOW THE TERMINALS TO FLOAT FREELY IN THE POCKET.
- 10) PART CONFORMS TO CLASS "B" REQUIREMENTS OF COSMETIC SPECIFICATION PS-45499-002 WITH THE EXCEPTION OF DISCOLORATION, FLASH AND SINK MEET CLASS "C" REQUIREMENTS.

MATERIAL NUMBER	MATERIAL/COLOR	TOOL STATUS	CKT SIZE	LATCH STYLE	DIM A
46994-0212	V-2/BLACK	TOOLED	2	POSITIVE	.378/(9.60)
46994-0412	V-2/BLACK	TOOLED	4	POSITIVE	.709/(18.00)
46994-0512	V-2/BLACK	TOOLED	5	POSITIVE	.874/(22.20)
46994-0612	V-2/BLACK	TOOLED	6	POSITIVE	1.039/(26.40)
46994-0712	V-2/BLACK	NOT TOOLED	7	POSITIVE	1.205/(30.60)
46994-0514	V-2/BLACK	NOT TOOLED	5	PASSIVE	.874/(22.20)
46994-0202	V-2/NATURAL (BEIGE)	TOOLED	2	POSITIVE	.378/(9.60)
46994-0402	V-2/NATURAL (BEIGE)	TOOLED	4	POSITIVE	.709/(18.00)
46994-0502	V-2/NATURAL (BEIGE)	TOOLED	5	POSITIVE	.874/(22.20)
46994-0602	V-2/NATURAL (BEIGE)	TOOLED	6	POSITIVE	1.039/(26.40)



PASSIVE LATCH

RELEASE 46994-0502 IEC NO: UCP2016-0359 DRWIN: JMOINT 2015/07/31 CHKD: JBELL 2015/07/31 APPR: FSMITH 2015/08/14	QUALITY SYMBOLS 	GENERAL TOLERANCES (UNLESS SPECIFIED)		DIMENSION STYLE IN/MM		SCALE DESIGN UNITS METRIC	THIRD ANGLE PROJECTION		
		4 PLACES ± --- ± --- 3 PLACES ± --- ± .010 2 PLACES ± .25 ± .015 1 PLACE ± .38 ± --- 0 PLACE ± ±	mm INCH DRAWN BY DATE NGUYEN 2013/04/15 CHECKED BY DATE JBELL 2013/04/15 APPROVED BY DATE FSMITH 2014/05/16	TITLE MINI-FIT JR. RECEPTACLE SINGLE ROW GLOW WIRE					
		ANGULAR ±1/2° DRAFT WHERE APPLICABLE MUST REMAIN WITHIN DIMENSIONS		MATERIAL NO. SEE CHART		DOCUMENT NO. SD-46994-0000		SHEET NO. 1 OF 1	
		THIS DRAWING CONTAINS INFORMATION THAT IS PROPRIETARY TO MOLEX. INCORPORATED AND SHOULD NOT BE USED WITHOUT WRITTEN PERMISSION							