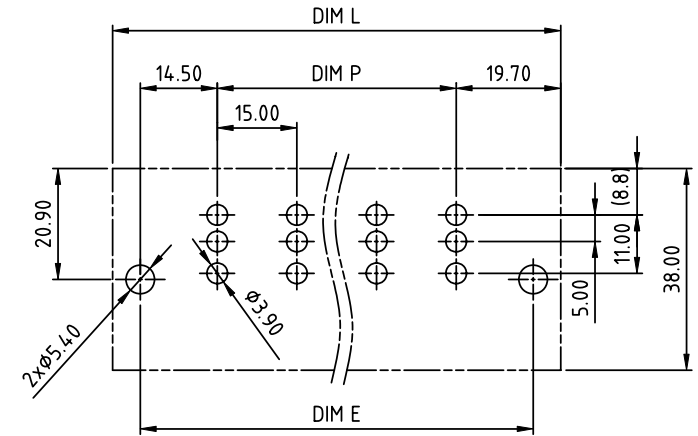
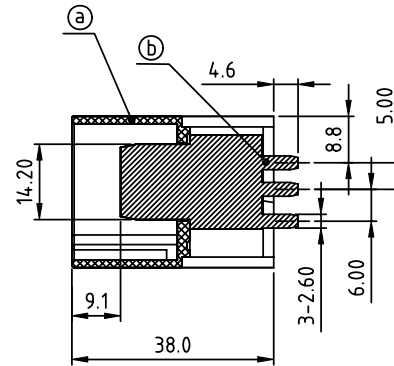
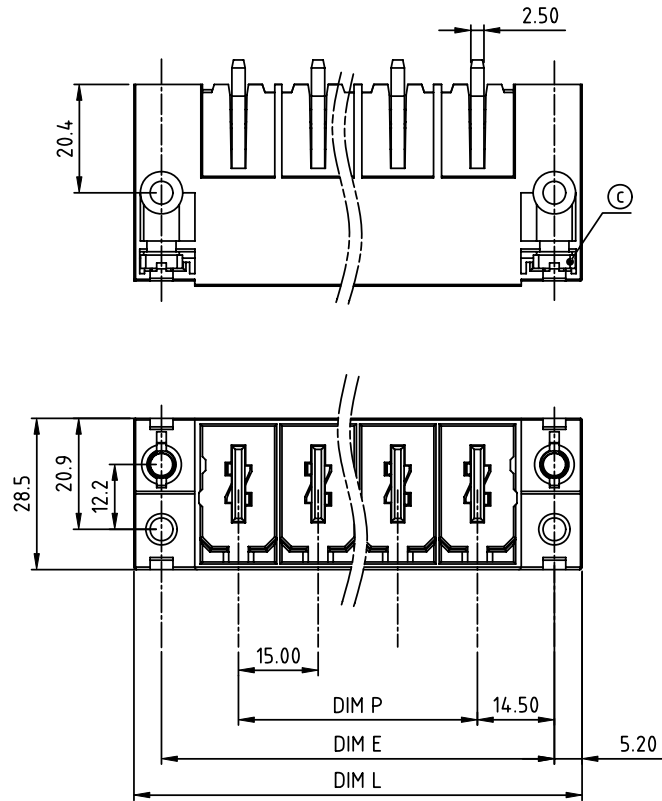


PRODUCT NUMBER	PITCH
KUxxC1x000J0G	15.00 mm



RECOMMENDED P.C.B LAYOUT
TOP VIEW

Material:

- Item (a) Terminal housing: Thermoplastic (UL94 V-0)
- Item (b) Male contact: Copper. Gold plated.
- Item (c) With flange nut: Steel M5.0 zinc plated.

Electrical:

- Voltage rating: 600 V
- Current rating: 115 A
- Withstanding Voltage: 2.2 KV
- Operating temperature: -40°C to +115°C
- Soldering temperature: 260°C±5°C/5 Sec
- Safety Approval:

PART NO.: KU xx C 1 x 0 00J0 G

Dim L=N×15.00+24.4
Dim P=(N-1)×15.00
Dim E=(N-1)×15.00+29.0

N=Number of poles

Poles	Tolerance
2p-4p	±0.20
5p-7p	±0.35
8p-10p	±0.50

Solid block	No. of poles	Color	RoHS compliant (lead<4% in copper Alloy)
0	2	Black (RAL9005)	
02	2 poles	Red (RAL3001/D)	
03	3 poles	Orange(RAL2011/P)	
...	...	4 Yellow(RAL1018/A)	
...	...	5 Green(RAL6018/T)	
10	10 poles	6 Blue (RAL5015/A)	
		8 Grey(RAL7035/D)	
		9 White(RAL1102)	
		C Green(RAL6018/U)	

mat'l. code	surface ASME Y14.5	tolerance ASME Y14.5	projection	product family
ltr	ecn no	dr	date	TERMINAL BLOCK
		angles	tolerances unless otherwise specified	title
		MM		TERMINAL BLOCK
		scale		PLUGGABLE SOCKET, VERTICAL, WITH FLANGE
		dr	EVIN ZHONG 050814	sheet 1 of 1 size
		enrg	EVIN ZHONG 050814	dwg no
		chr	HANKE FENG 050814	KUxxC1x000J0G
		appd	SHI JUN 050814	A4
				type
				CUSTOMER Drawing
sheet index	revision	A		
	sheet	1		