

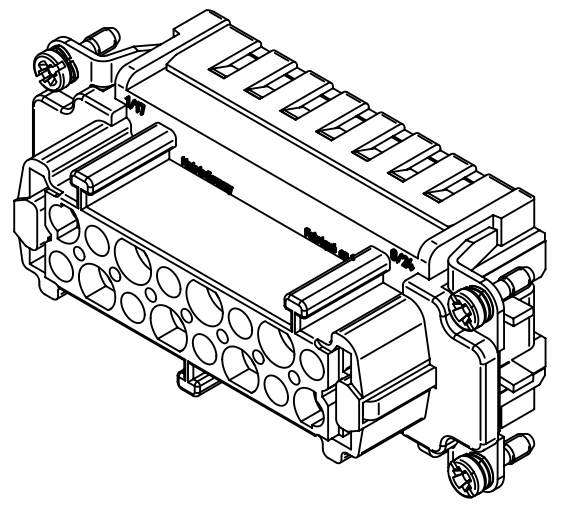
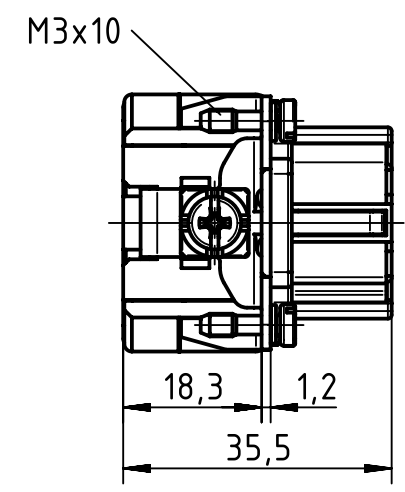
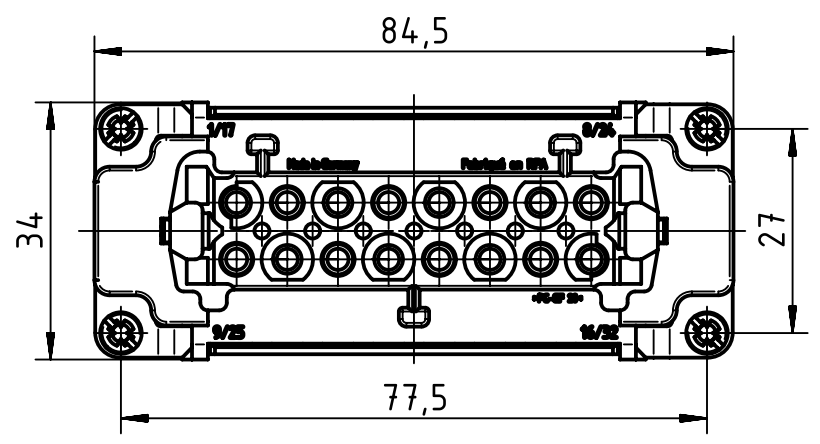
1 2 3 4 5 6


A

B

C

D



	All Dimensions in mm Original Size DIN A4		Scale	Free size tol.		Ref.	
			1:1			Sub.	
All rights reserved Department EL PD - DE		Created by	Inspected by	Standardisation	Date	State	
HARTING Electric GmbH & Co. KG D-32339 Espelkamp		FINKEV	SCHMIDTM	TIEMANNA	2013-05-17	Final Release	
Title Han 16E HMC-F-c						Doc-Key / ECM-Nr. 100527290/UGD/002/A 500000062216	
			Type	Number		Rev.	Page
			TB	09 33 216 2702		A	1/1