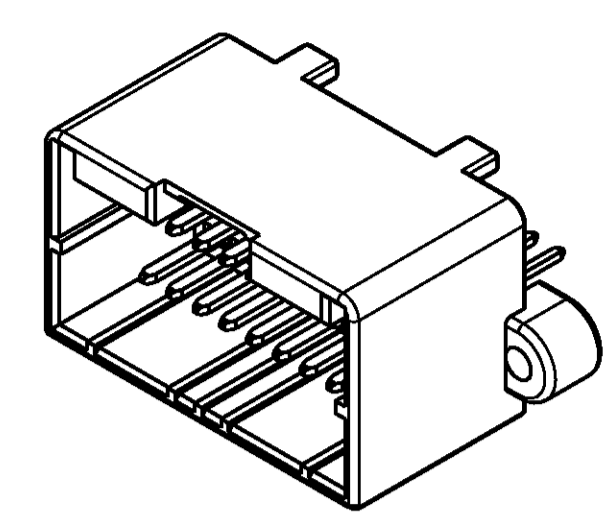
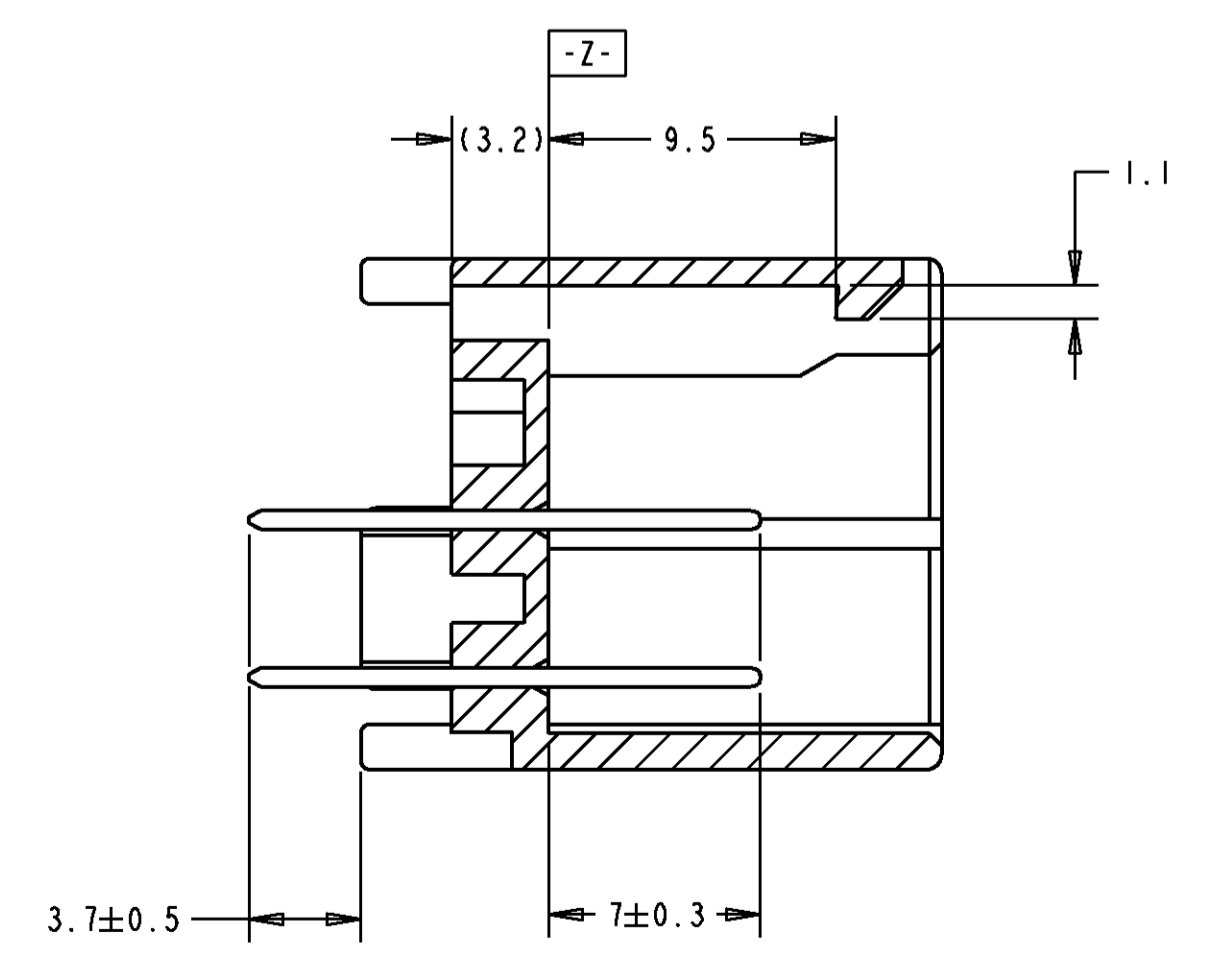
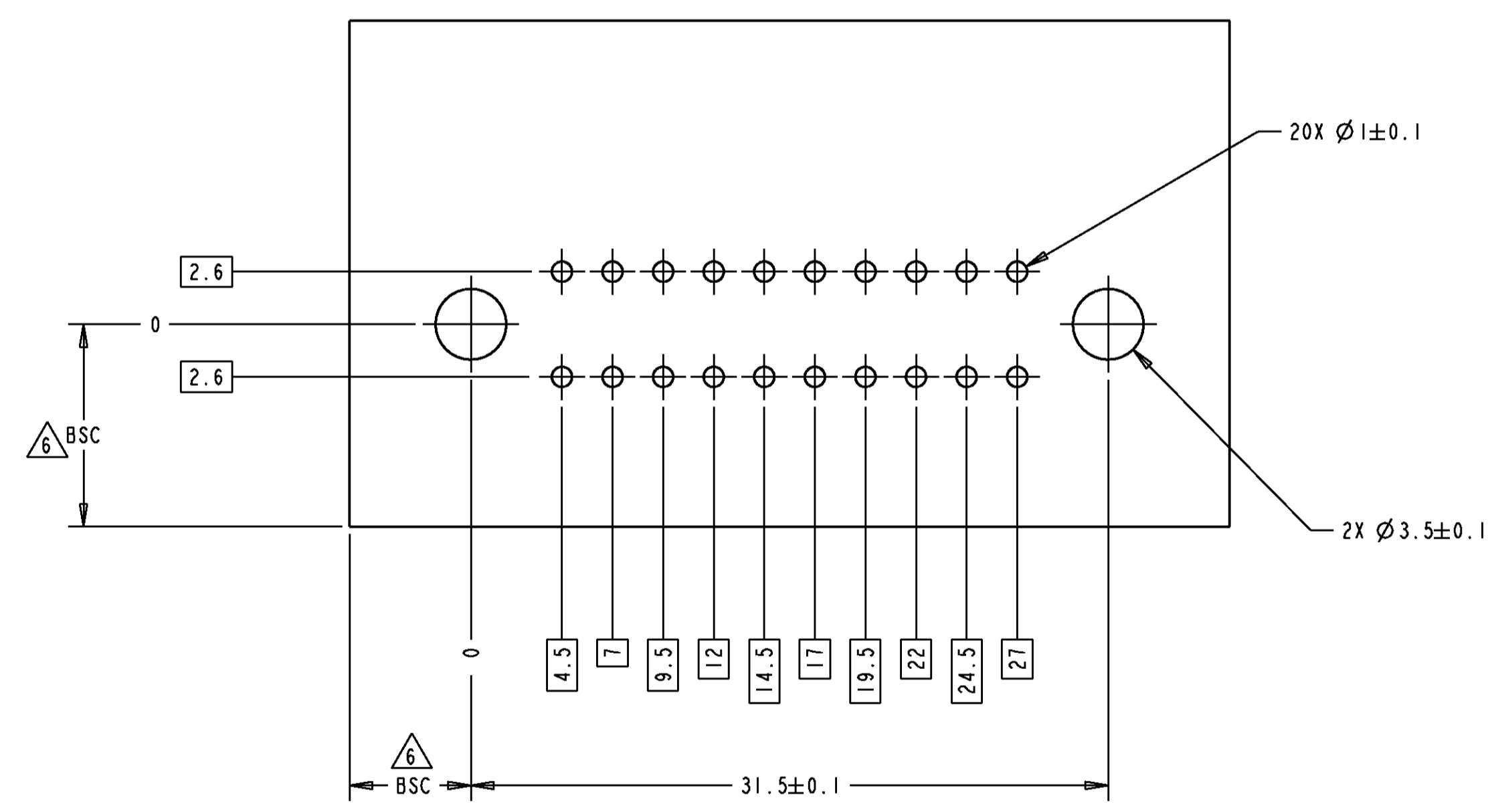
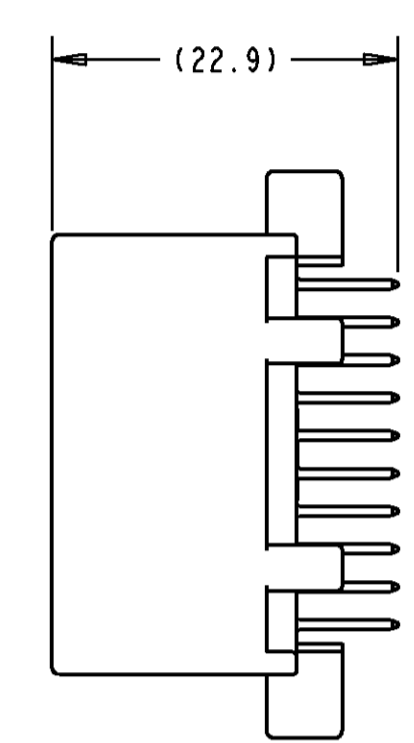
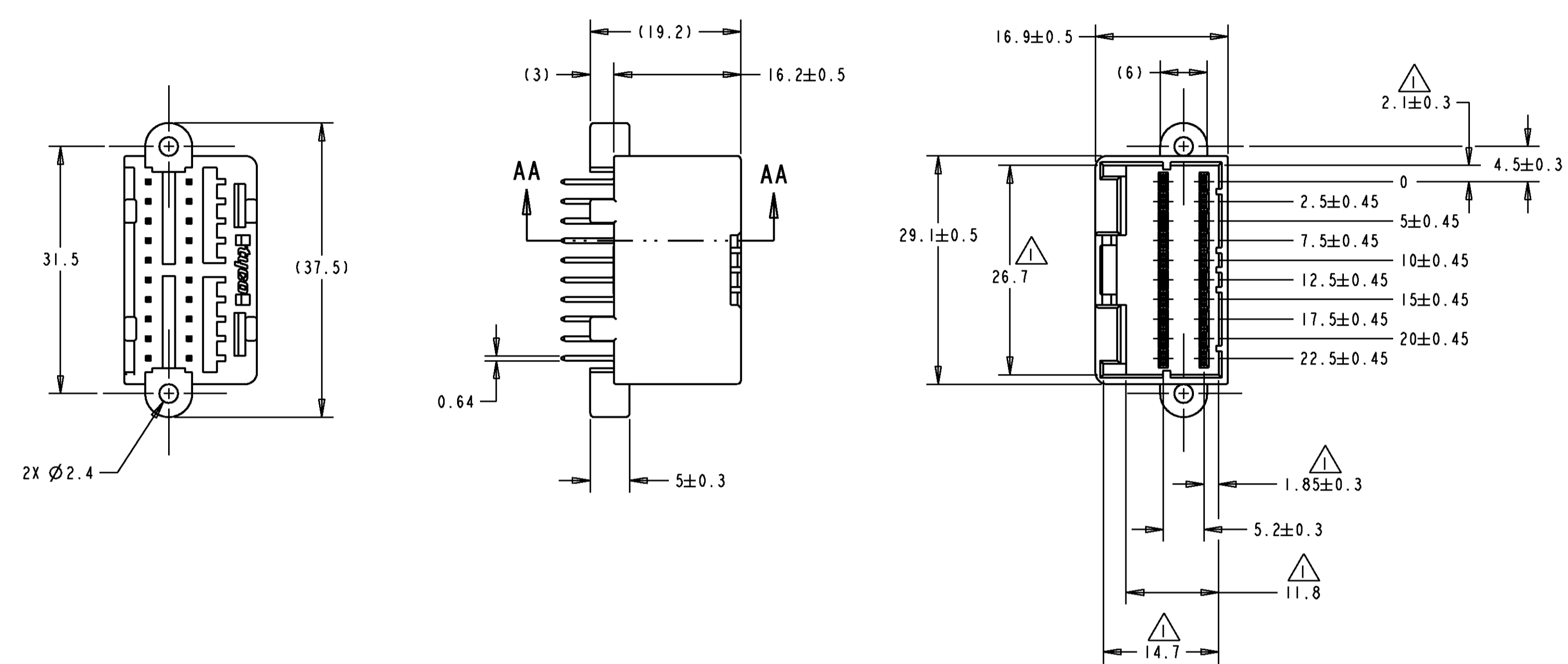


REVISONS		DATE	OWN	APP'D
I	PRELIMINARY PER EC DK80-0278-04	05AUG2004	RGV	SSA
O	RELEASED PER EC DK80-0502-04	03JAN2005	DLD	SSA
A	REVISED PER ECR-06-008947	09MAY2006	AH	SA



SCALE 2:1

- 1. TO BE MEASURED WITHIN 2mm FROM  $\square$ -Z-
- 2. APPLICABLE P.C. BOARD THICKNESS: 1.6mm.
- 3. MATING PLUG HOUSING PART NUMBER: 174047.
- 4. RECOMMENDED MOUNTING SCREW: .3mm DIA. 6mm LENGTH TAPPING SCREW SPECIFIED IN JIS B1115, B1122 (TIGHTENING TORQUE: 0.8Nm MAX).
- 5. SIMILAR TO 174977.
- 6. BASIC DIMENSIONS ESTABLISHED BY CUSTOMER.



SINGLE TUBE	MATERIAL	FINISH	MATERIAL	COLOR	PART NUMBER
BRASS	PRE-TINNED	PBT	BLACK	1438720-3	
BRASS	POST-TINNED	PBT	BLACK	2-1438720-2	
BRASS	PRE-TINNED	PBT	GREEN	1438720-4	
BRASS	PRE-TINNED	PBT	BLACK	1438720-2	
PACKAGING	MATERIAL	FINISH	MATERIAL	COLOR	PART NUMBER
	CONTACT		HOUSING		

DIMENSIONS: SEE TABLE TOLERANCES UNLESS OTHERWISE SPECIFIED: SEE TABLE FINISH: SEE TABLE		DWG: R. VESTAL 04AUG2004 CHK: S. ASHLEY 04AUG2004 APP'D: S. ASHLEY 04AUG2004	Tyco Electronics Harrisburg, PA 17105-3608
MATERIAL: SEE TABLE FINISH: SEE TABLE		NAME: CAP HOUSING ASSEMBLY, 20 POSITION, VERTICAL, .040 SERIES, MULTILOCK I/O CONNECTOR PRODUCT SPEC: 108-5244 APPLICATION SPEC:	SIZE: A CAGE CODE: 00779 DRAWING NO: 1438720 RESTRICTED TO:
WEIGHT: 5.9g CUSTOMER DRAWING		SCALE: 2:1 SHEET: 1 OF 1 REV: A	