

D

C

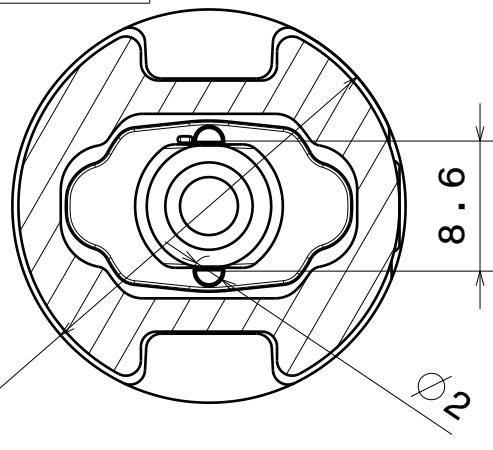
B

A

INDEX	PART NO	DESCRIPTION	MATERIAL
1			

1

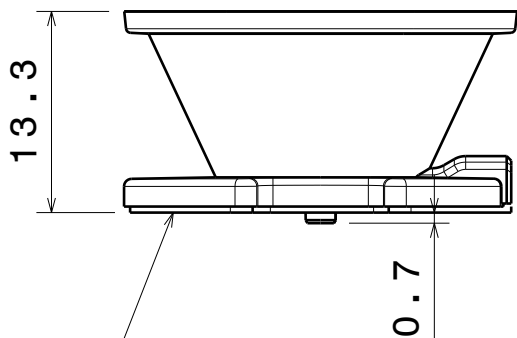
4



Bottom view

4

3



TAPE 0.4mm

Front view
Scale: 2:1

3

2

Materials:
 Lens PMMA
 Tape PU foam with PSA

Tolerances for dimensions:
 0-20mm tolerance value +/-0.1mm
 21-45mm tolerance value +/-0.2mm
 46-90mm tolerance value +/-0.3mm
 91-100mm tolerance value +/-0.4mm
 101-mm tolerance value +/-0.5mm

2

This drawing is our property.
 It can't be reproduced
 or communicated without
 our written agreement.



Ledil Oy
 Salorankatu 10
 FIN 24240 SALO
 Finland

DRAWING TITLE

Part Drawing

DRAWN BY

DATE

pv

27.9.2012

Datasheet EMILY-WWW assy

CHECKED BY

DATE

-

-

SIZE

PART NUMBER

REV

A4

CA12589

001

DESIGNED BY

DATE

-

-

SCALE

1:1

WEIGHT

-

SHEET

1/1

1

D

A