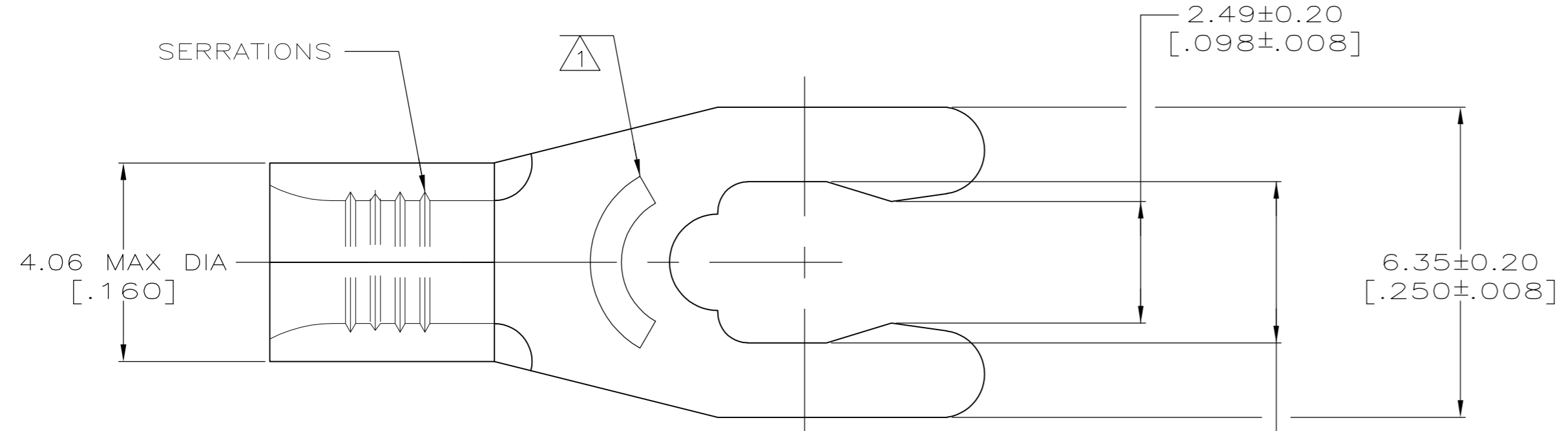


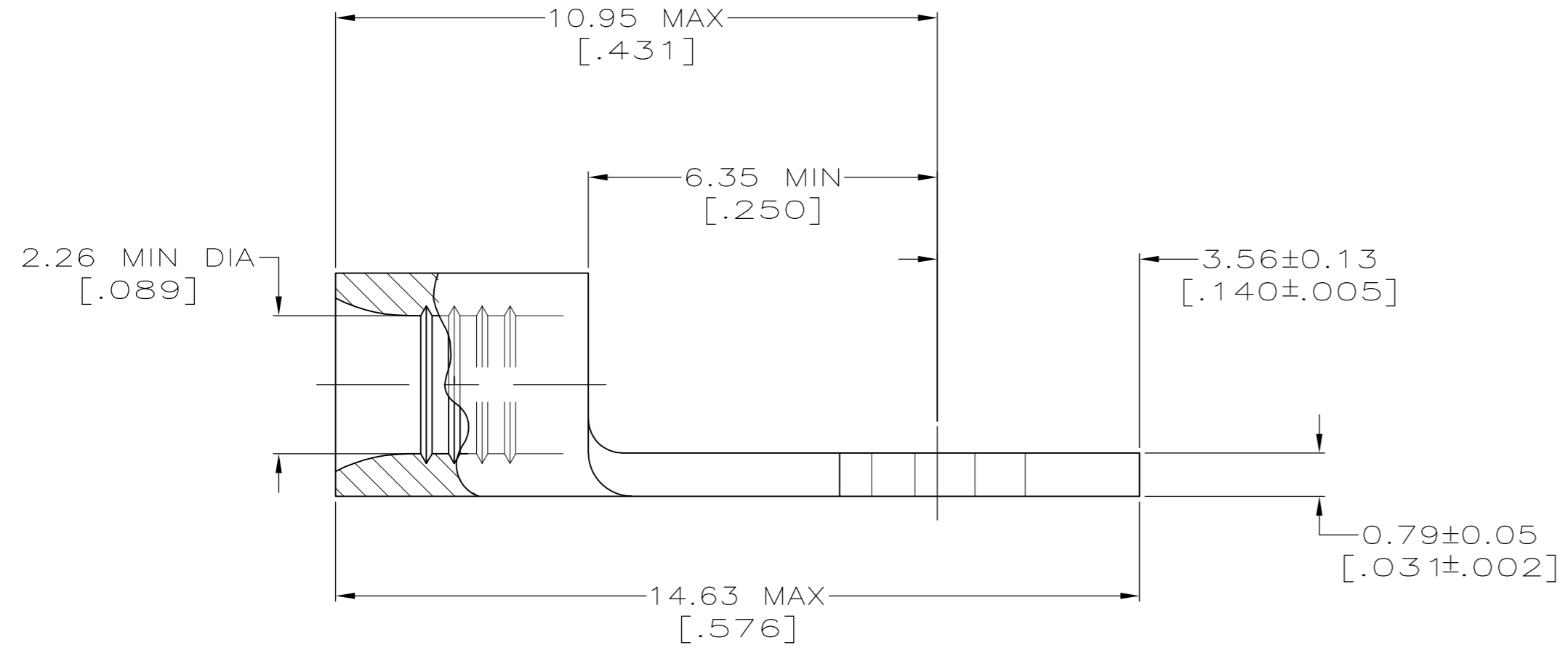
THIS DRAWING IS UNPUBLISHED. RELEASED FOR PUBLICATION  
 © COPYRIGHT BY TYCO ELECTRONICS CORPORATION. ALL INTERNATIONAL RIGHTS RESERVED.

LOC	DIST	REVISIONS					
		P	LTR	DESCRIPTION	DATE	DWN	APVD
G	14		A1	REDRAWN PER ECR 10-006147	23MAR10	JR	TM



<b>AMP</b> WIRE RANGE	<b>UL</b> Listed FILE E13288	<b>SR</b> LR7189 Certified
16-14 AWG STRANDED	16-14 AWG STRANDED	NOT CERTIFIED

- 1 STAMP 5S AMP 16-14\* APPROX AS SHOWN  
5S INDICATES STUD SIZE
- 2 PHOS BRONZE PER ASTM B103, ANNEALED
- 3 TIN PLATE 0.00254 [.000100] MIN THK PER  
ASTM B545



53009-1  
PART NO.

CUSTOMER SERVICE SYSTEMS		MAX RECOMMENDED OPERATING TEMPERATURE: 170°C MAX	
FOR ADDITIONAL PRODUCT INFORMATION OR COPIES OF DRAWINGS AND TECHNICAL DOCUMENTS	PRODUCT INFORMATION CENTER 1-800-522-6752	VOLTAGE RATING: N/A	CIRCULAR MIL AREA: 1.04-2.62mm² [2,050-5,180] STRANDED
FOR APPLICATION TOOLING INFORMATION	TOOLING ASSISTANCE CENTER 1-800-722-1111	THIS DRAWING IS A CONTROLLED DOCUMENT FOR AMP INCORPORATED. IT IS SUBJECT TO CHANGE AND THE CONTROLLING ENGINEERING ORGANIZATION SHOULD BE CONTACTED FOR THE LATEST REVISION.	
FOR ORDER ENTRY	1-800-526-5142		

THIS DRAWING IS A CONTROLLED DOCUMENT.	
DIMENSIONS: MM [ INCHES ]	TOLERANCES UNLESS OTHERWISE SPECIFIED:
	0 PLC ± -
	1 PLC ± -
	2 PLC ± -
	3 PLC ± -
	4 PLC ± -
	ANGLES ± -
MATERIAL	FINISH

DWN TA BRINKMAN 2-12-93	Tyco Electronics Corporation Harrisburg, PA 17105-3608	SIZE	CAGE CODE	DRAWING NO	RESTRICTED TO
CHK DA PATTERSON 2-12-93		A2	00779	C=53009	-
APVD JL MECKLEY 2-12-93		NAME TERMINAL, SHORT SPRING SPADE, BUDGET 16-14			
PRODUCT SPEC		SCALE 10:1 SHEET 1 of 1 REV A1			
APPLICATION SPEC	CUSTOMER DRAWING				