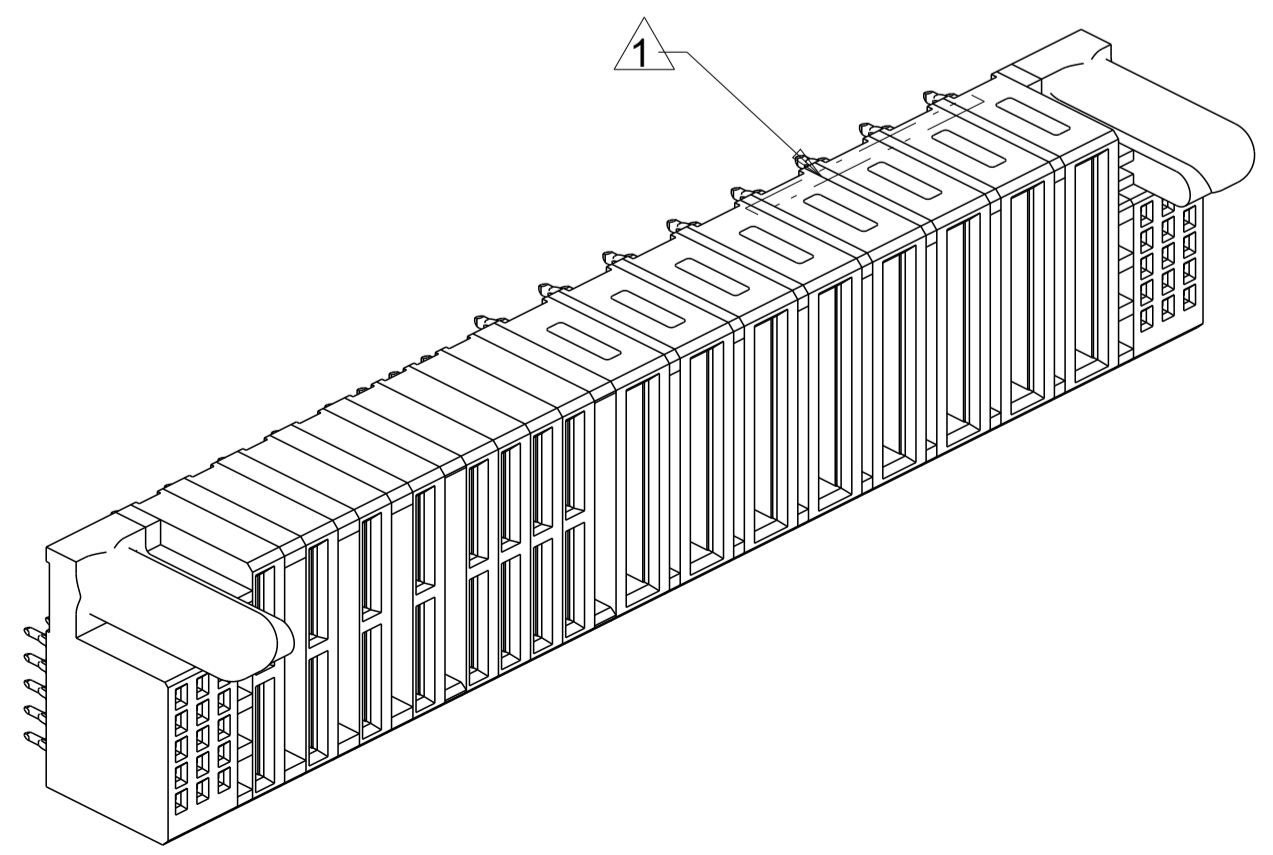
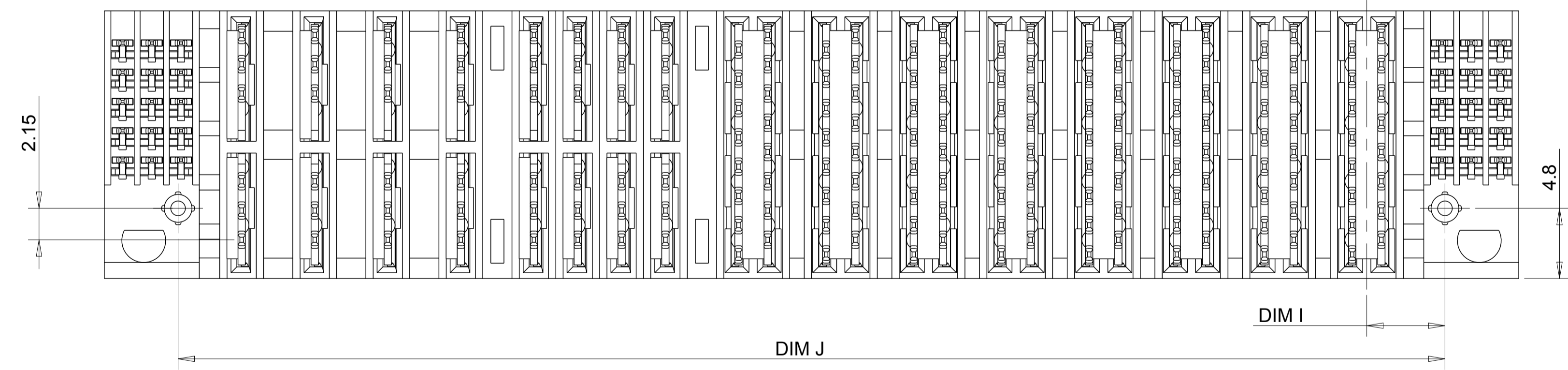
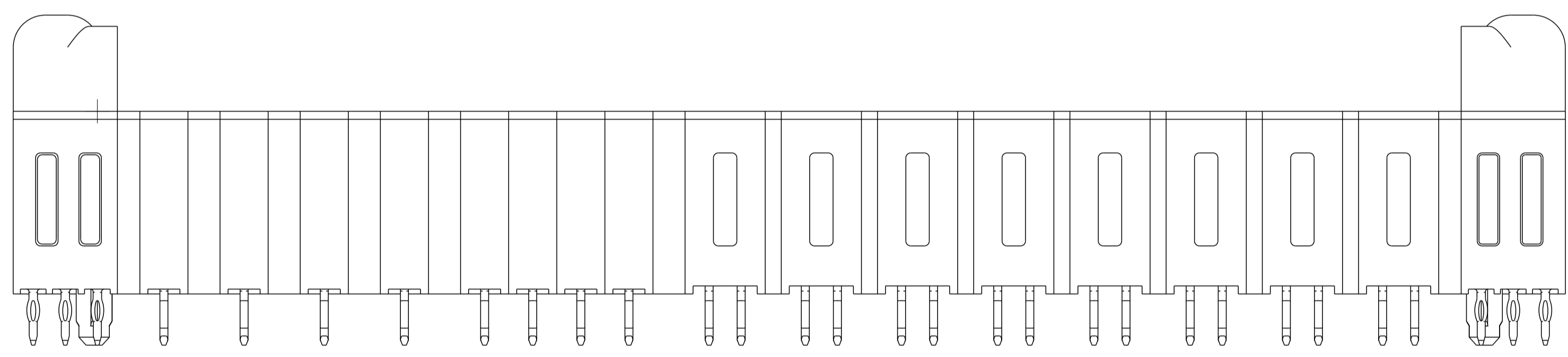
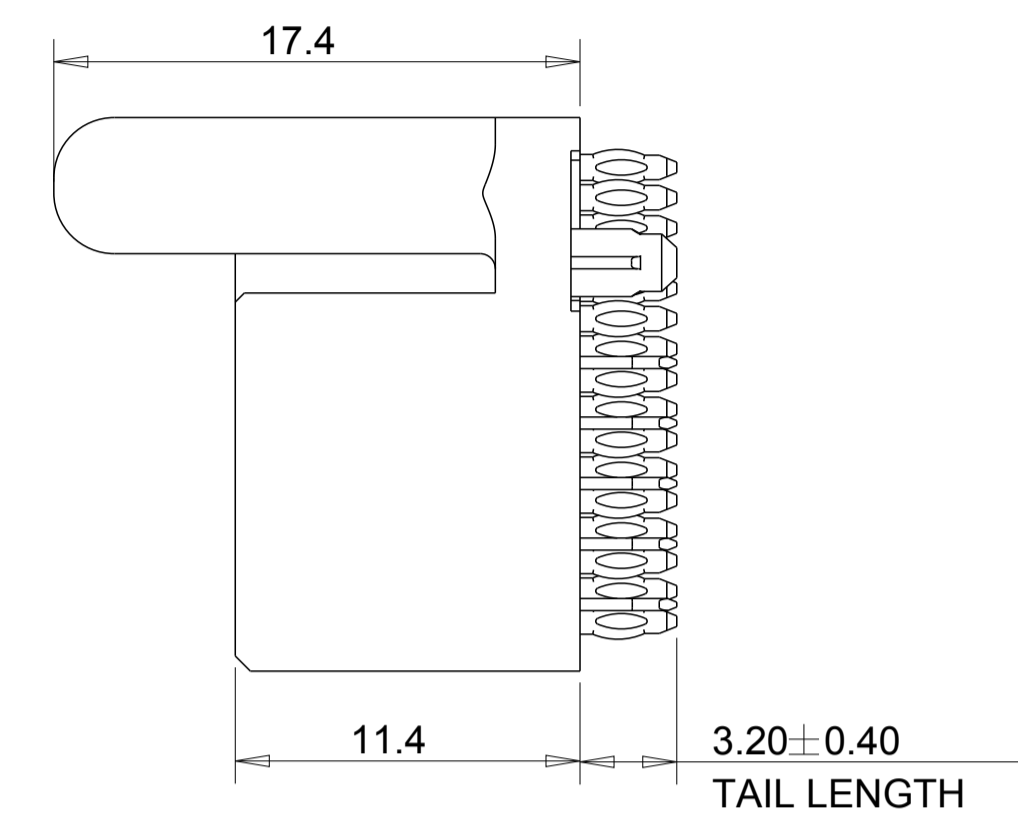
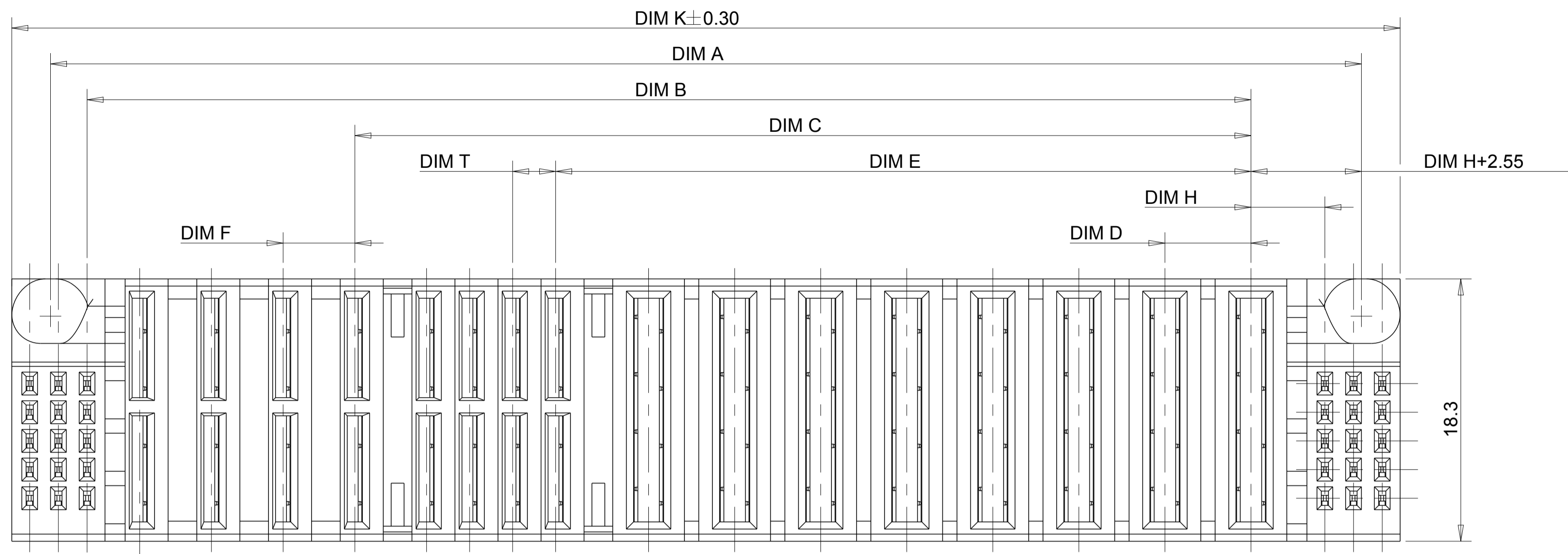


LOC		DIST		REVISIONS			
P	LTR	DESCRIPTION	DATE	DWN	APVD		
A1		ECR-16-012726	03NOV2016	TZ	SZ		
A2		ECR-16-017006	11JAN2017	TZ	SZ		

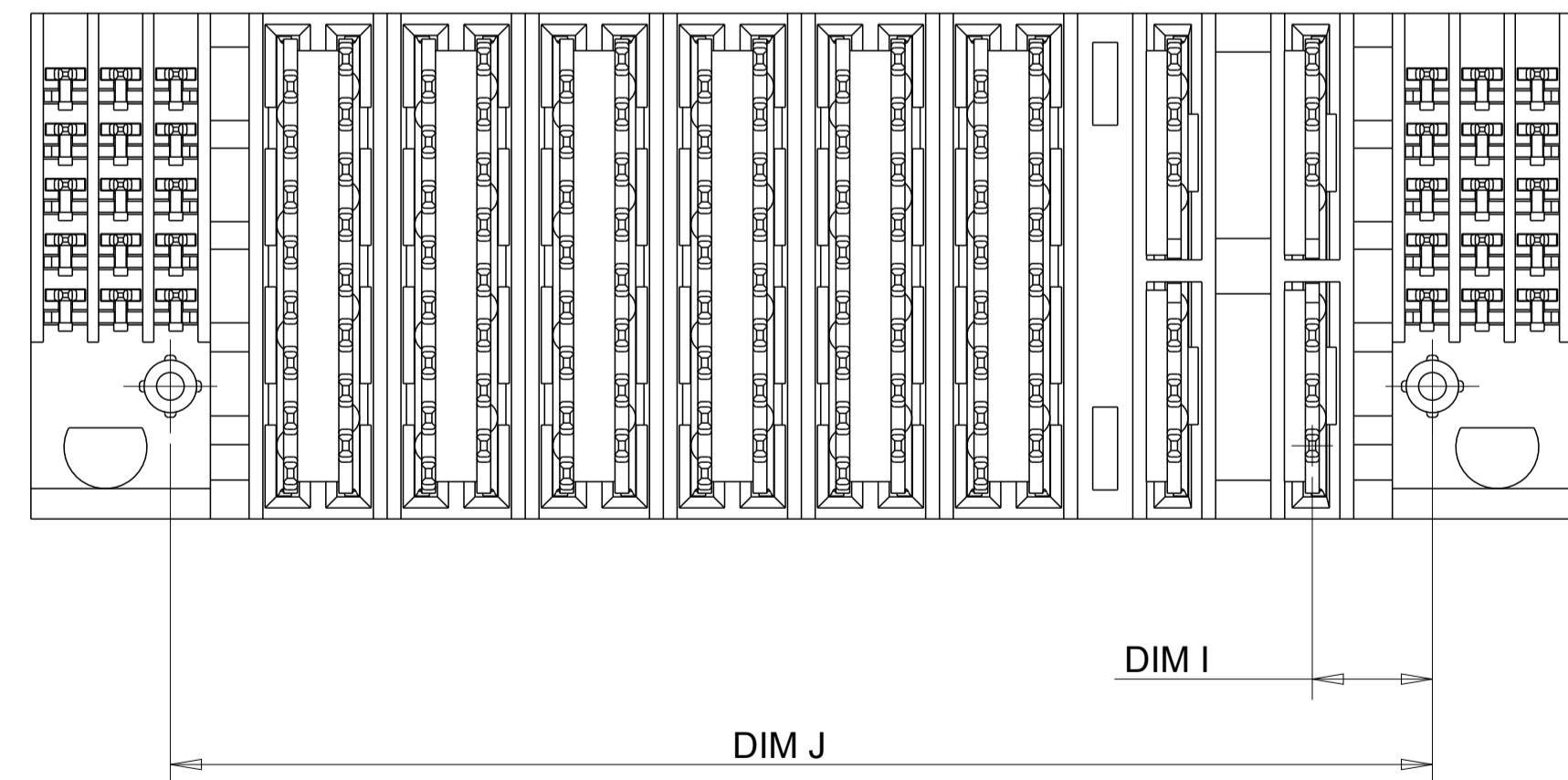
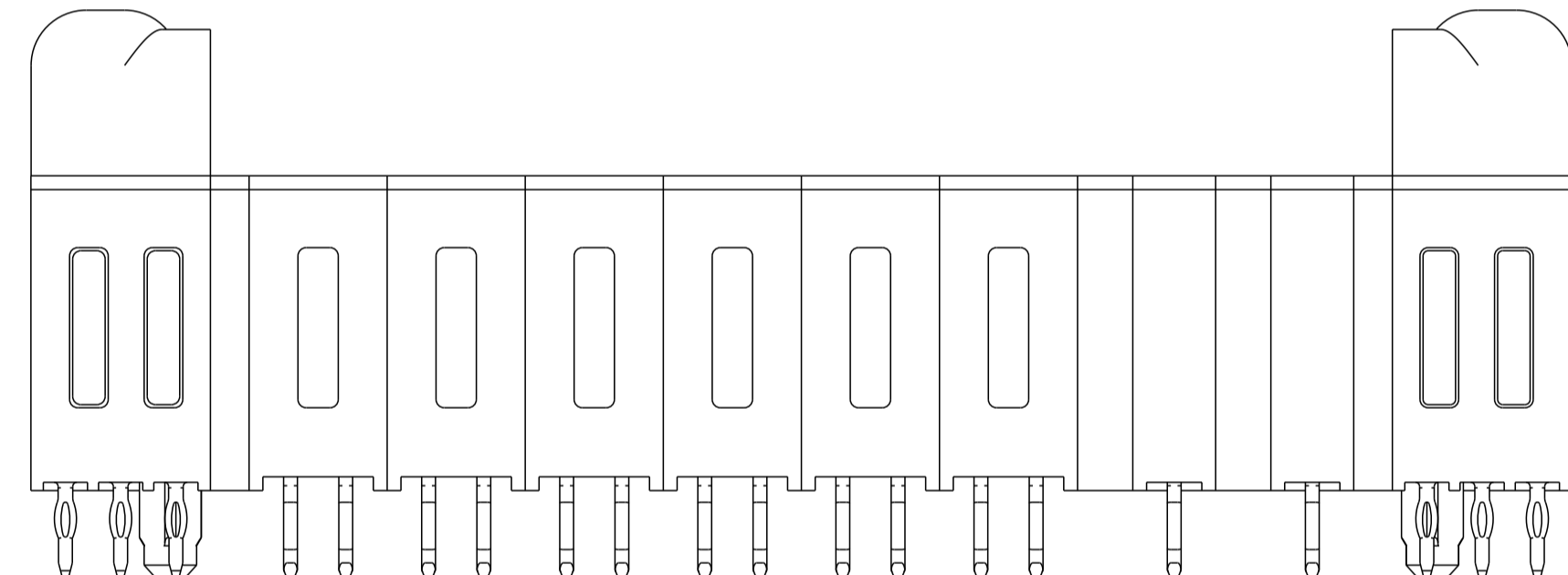
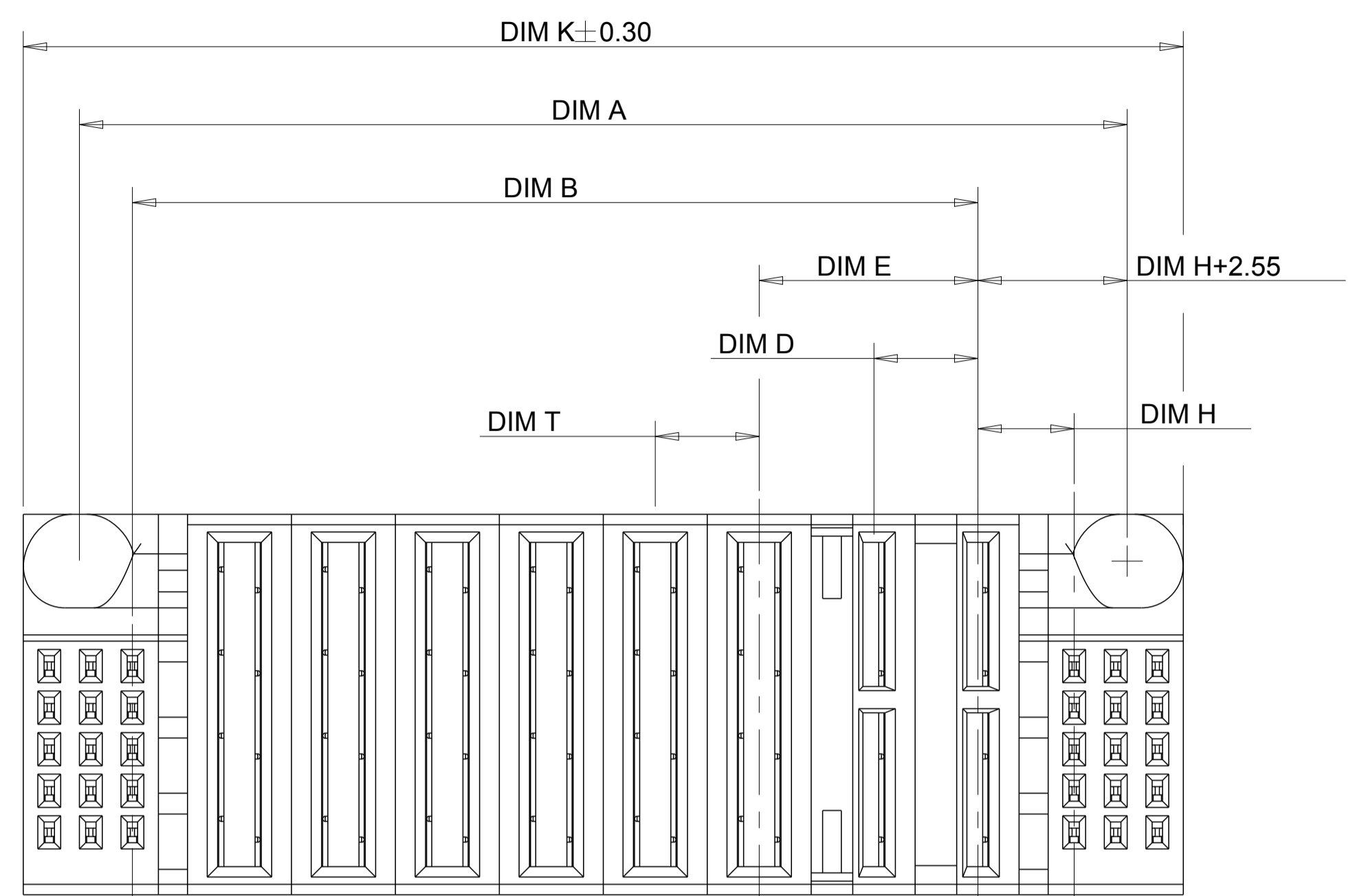


NOTES, UNLESS OTHERWISE SPECIFIED:

1. "TE", PART NUMBER AND DATE CODE TO BE MARKED IN AREA SHOWN.
2. MATERIAL:  
 HOUSING - GLASS FILLED HIGH TEMP THERMO PLASTIC,  
 COLOR: BLACK, UL94 V-0.  
 SIGNAL CONTACT - HIGH CONDUCTIVITY COPPER ALLOY.  
 POWER CONTACT - HIGH CONDUCTIVITY COPPER ALLOY.
3. CONTACT PLATING:  
 MATING AREA - NOBLE METAL OVERALL NICKEL  
 TAIL SIDE AREA - MATTE TIN OVERALL NICKEL.
4. MECHANICAL CONNECTOR KEEP OUT ZONE.
5. DATUM AND BASIC DIMENSIONS ESTABLISHED BY CUSTOMER.
6. PCB - ALL HOLE DIAMETERS ARE FINISHED HOLE SIZES.
7. PCB HOLE:  
 POWER -  $1.15 \pm 0.025$  MM DRILLED HOLES SIZE PLATING WITH 0.0076 MM MIN.  
 Sn OVER 0.025~0.076 MM Cu PLATING TO ACHIEVE A 1.02 MM DIA. HOLE.  
 SIGNAL -  $0.835 \pm 0.025$  MM DRILLED HOLES SIZE PLATING WITH 0.0076 MM MIN.  
 Sn OVER 0.025~0.076 MM Cu PLATING TO ACHIEVE A 0.72 MM DIA. HOLE.
8. CONFIGURATION "S+LP+P+S" REFER TO SHEET 2

THIS DRAWING IS A CONTROLLED DOCUMENT.		DWN THOMAS ZHAO 20AUG2013		
DIMENSIONS:		CHK SUNY ZHAO 20AUG2013		
TOLERANCES UNLESS OTHERWISE SPECIFIED:		APVD SUNY ZHAO 20AUG2013	NAME CUSTOMER DRAWING PRESS FIT VERTICAL RECEPTACLE S+P+LP+S MULTI-BEAM HD CONNECTOR	
mm	0 PLC ±	PRODUCT SPEC	RESTRICTED TO	
	1 PLC ±0.4	APPLICATION SPEC	-	
	2 PLC ±0.25	SIZE	A1	00779
	3 PLC ±0.15	CAGE CODE	C=2204422	
	4 PLC ±	DRAWING NO	2204422	
MATERIAL	FINISH	WEIGHT	-	
2	3	CUSTOMER DRAWING	SCALE	4:1
			SHEET	1 OF 6
			REV	A2

LOC		DIST		REVISIONS			
P	LTR	DESCRIPTION	DATE	DWN	APVD		
-		SEE SHEET 1	-	-	-		

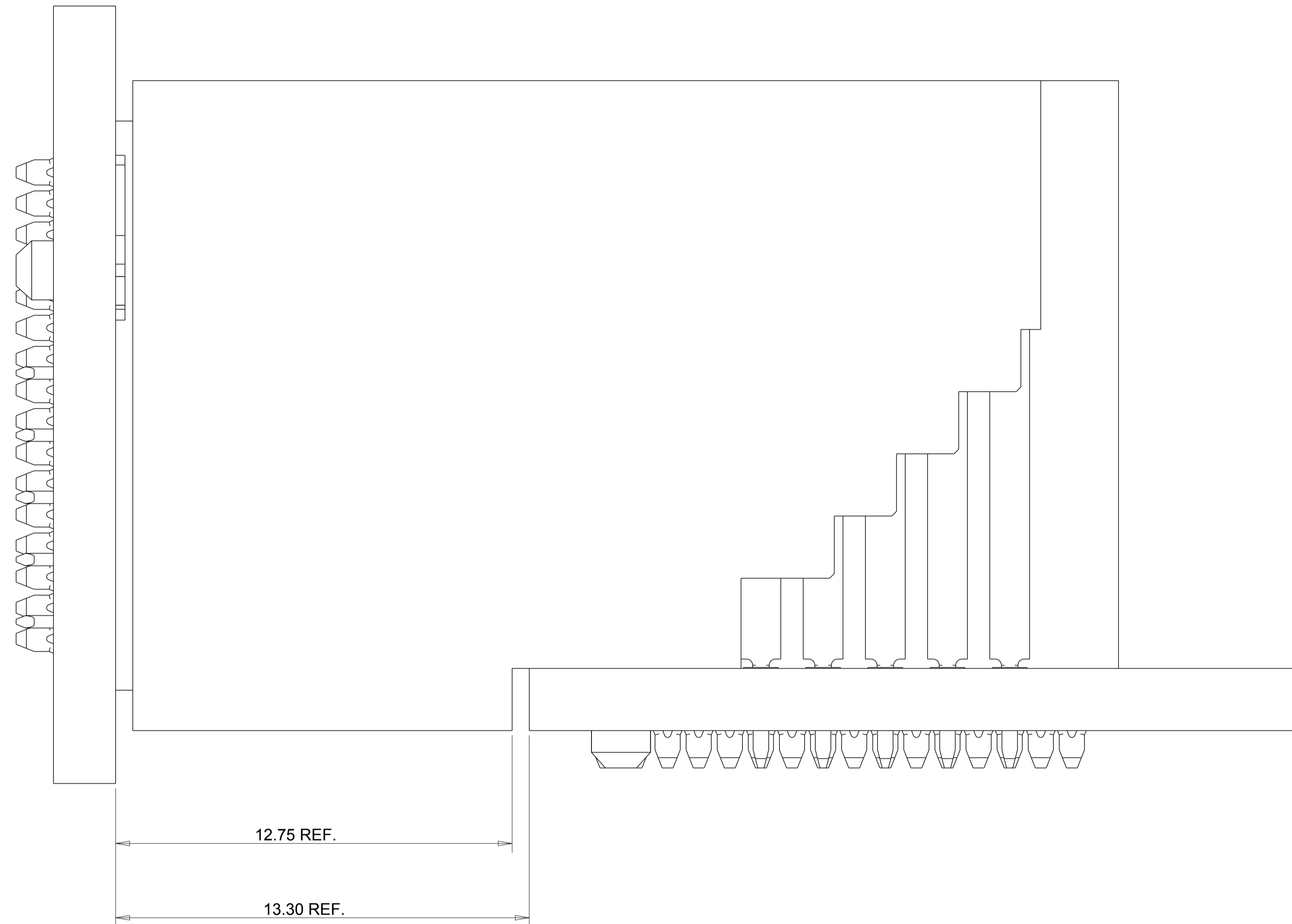


CONFIGURATION FOR "S+VLP+P+S"

THIS DRAWING IS A CONTROLLED DOCUMENT.		DWN: THOMAS ZHAO 20AUG2013																	
DIMENSIONS: min		CHK: SUNY ZHAO 20AUG2013																	
<table border="1"> <tr> <th>TOLERANCES UNLESS OTHERWISE SPECIFIED:</th> <th></th> </tr> <tr> <td>0 PLC</td> <td>±</td> </tr> <tr> <td>1 PLC</td> <td>±0.4</td> </tr> <tr> <td>2 PLC</td> <td>±0.25</td> </tr> <tr> <td>3 PLC</td> <td>±0.15</td> </tr> <tr> <td>4 PLC</td> <td>±</td> </tr> <tr> <td>ANGLES</td> <td>±</td> </tr> <tr> <td>FINISH</td> <td></td> </tr> </table>		TOLERANCES UNLESS OTHERWISE SPECIFIED:		0 PLC	±	1 PLC	±0.4	2 PLC	±0.25	3 PLC	±0.15	4 PLC	±	ANGLES	±	FINISH		APVD: SUNY ZHAO 20AUG2013	NAME: CUSTOMER DRAWING PRESS FIT VERTICAL RECEPTACLE S+P+LP+S MULTI-BEAM HD CONNECTOR
TOLERANCES UNLESS OTHERWISE SPECIFIED:																			
0 PLC	±																		
1 PLC	±0.4																		
2 PLC	±0.25																		
3 PLC	±0.15																		
4 PLC	±																		
ANGLES	±																		
FINISH																			
MATERIAL: -		PRODUCT SPEC: -	RESTRICTED TO: -																
-		APPLICATION SPEC: -	SIZE: A1																
-		WEIGHT: -	CAGE CODE: 00779																
CUSTOMER DRAWING		DRAWING NO: 2204422	SCALE: 4:1																
			SHEET 2 OF 6																
			REV A2																

THIS DRAWING IS UNPUBLISHED  
 RELEASED FOR PUBLICATION  
 20  
 © COPYRIGHT 20  
 ALL RIGHTS RESERVED

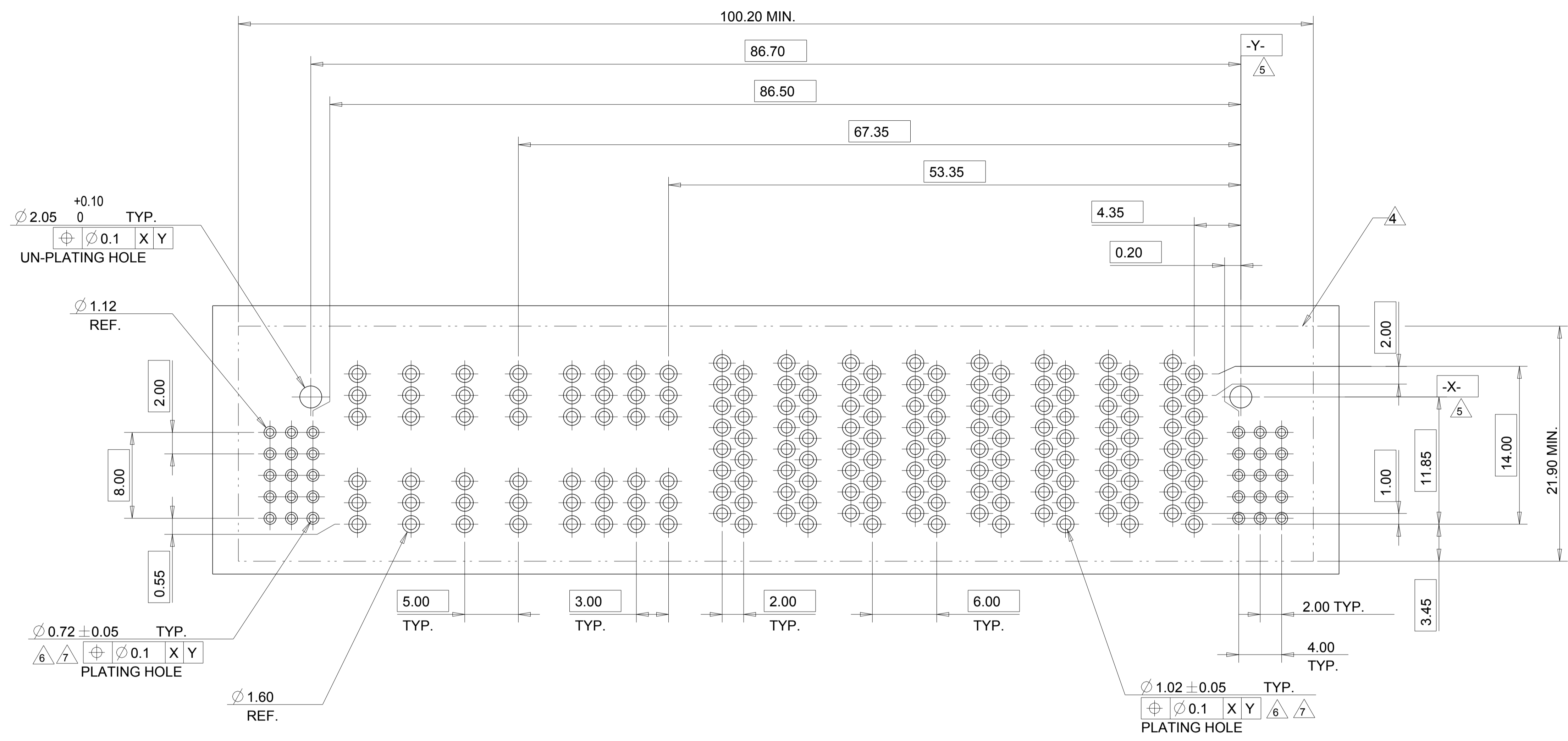
LOC		DIST		REVISIONS			
P	LTR	DESCRIPTION	DATE	DWN	APVD		
-	-	SEE SHEET 1	-	-	-		



THE DISTANCE IS 0.05 MM MATING FACE FROM R/A PLUG TO VERTICAL RECETPACLE.

THIS DRAWING IS A CONTROLLED DOCUMENT.		DWN THOMAS ZHAO 20AUG2013											
DIMENSIONS: mm		CHK SUNY ZHAO 20AUG2013											
TOLERANCES UNLESS OTHERWISE SPECIFIED:		APVD SUNY ZHAO 20AUG2013	NAME CUSTOMER DRAWING PRESS FIT VERTICAL RECEPTACLE S+P+LP+S MULTI-BEAM HD CONNECTOR										
<table border="1"> <tr><td>0 PLC</td><td>±</td></tr> <tr><td>1 PLC</td><td>±0.4</td></tr> <tr><td>2 PLC</td><td>±0.25</td></tr> <tr><td>3 PLC</td><td>±0.15</td></tr> <tr><td>4 PLC</td><td>±</td></tr> </table>		0 PLC	±	1 PLC	±0.4	2 PLC	±0.25	3 PLC	±0.15	4 PLC	±	PRODUCT SPEC	SIZE
0 PLC	±												
1 PLC	±0.4												
2 PLC	±0.25												
3 PLC	±0.15												
4 PLC	±												
<table border="1"> <tr><td>MATERIAL</td><td>-</td></tr> <tr><td>FINISH</td><td>-</td></tr> </table>		MATERIAL	-	FINISH	-	APPLICATION SPEC	CAGE CODE						
MATERIAL	-												
FINISH	-												
<table border="1"> <tr><td>ANGLES</td><td>±</td></tr> </table>		ANGLES	±	RESTRICTED TO	DRAWING NO								
ANGLES	±												
MATERIAL		WEIGHT	A1 00779										
FINISH		CUSTOMER DRAWING	2204422										
CUSTOMER DRAWING		SCALE	4:1										
		SHEET	3 OF 6										
		REV	A2										

LOC	DIST	REVISIONS			
P	LTR	DESCRIPTION	DATE	DWN	APVD
-	-	SEE SHEET 1	-	-	-



PART NUMBER	ROWS	SIGNAL			POWER														SIGNAL			
		6	5	4	LP8	LP7	LP6	LP5	LP4	LP3	LP2	LP1	P8	P7	P6	P5	P4	P3	P2	P1	3	2
2204422-1	E	SM1	SM1	SM1	LM1	LM1	LM1	LM1	LM1	LM1	LM1	LM1	PM	PM	PM	PM	PM	PM	PM	SM1	SM1	SM1
	D	SM1	SM1	SM1																SM1	SM1	SM1
	C	SM1	SM1	SM1	LM2	LM2	LM2	LM2	LM2	LM2	LM2	LM2								SM1	SM1	SM1
	B	SM1	SM1	SM1																SM1	SM1	SM1
	A	SM1	SM1	SM1																SM1	SM1	SM1

15S + 8VP + 8LP + 8VLP + 15S

A2 VIEW REFER \*-2  
 VIEW REFER \*-2  
 VIEW REFER \*-2

DIM A	DIM B	DIM C	DIM E	DIM D	DIM F	DIM T	DIM H	DIM I	DIM J	DIM K	DESCRIPTION	PART NUMBER
45.40	35.67	/	5.52	/	/	5.00	4.63	4.35	40.70	50.80	15S+2LP+4P+15S	2204422-6
45.40	35.67	/	/	/	/	/	4.63	/	40.70	50.80	15S+15S	2204422-5
45.40	35.67	/	5.52	/	/	5.00	4.63	4.35	40.70	50.80	15S+2LP+6P+15S	2204422-4
45.40	35.15	/	31.48	5.00	/	/	5.15	5.35	40.70	50.80	15S+6P+2LP+15S	2204422-3
50.40	40.67	/	10.52	5.00	/	5.00	4.63	4.35	45.70	55.80	15S+4VLP+6P+15S	2204422-2
91.40	81.15	62.48	48.48	6.00	5.00	3.00	5.15	5.35	86.70	96.80	15S+8VP+8LP+8VLP+15S	2204422-1

DESCRIPTION	IDENTIFIER
SIGNAL CONTACT PRESS FIT	SM1
LP TOP CONTACT MFBL PRESS FIT	LM1
LP BOTTOM CONTACT MFBL PRESS FIT	LM2
POWER CONTACT MFBL PRESS FIT	PM

THIS DRAWING IS A CONTROLLED DOCUMENT.

DIMENSIONS: mm

TOLERANCES UNLESS OTHERWISE SPECIFIED:

0 PLC	±	0.4
1 PLC	±	0.25
2 PLC	±	0.15
3 PLC	±	0.1
4 PLC	±	0.05

FINISH: ANGLES

MATERIAL: .

DATE: 20AUG2013

DWN: THOMAS ZHAO

CHK: SUNY ZHAO

APVD: SUNY ZHAO

PRODUCT SPEC: .

APPLICATION SPEC: .

WEIGHT: .

CUSTOMER DRAWING

SCALE: 4:1

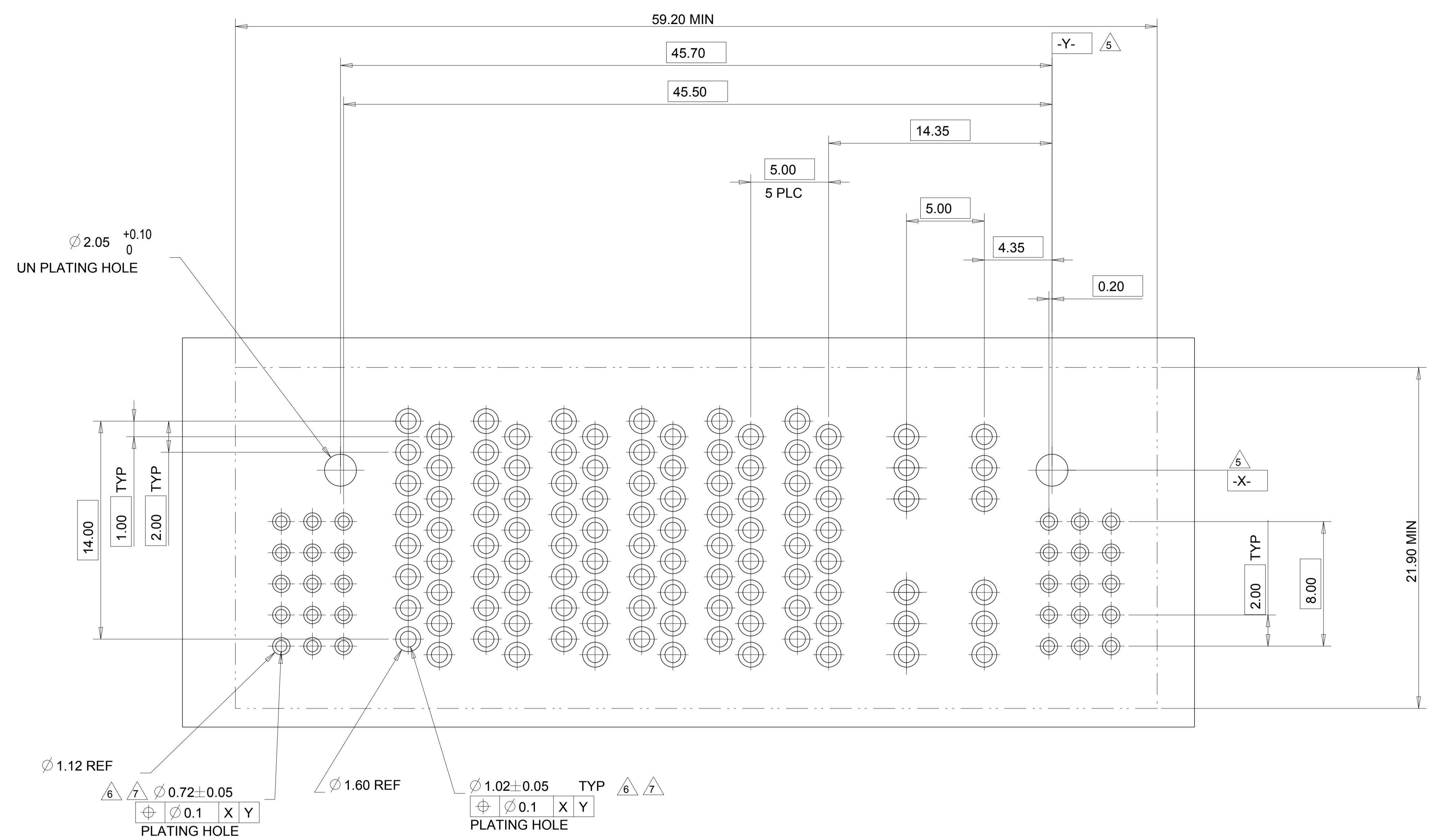
SHEET: 4 OF 6

REV: A2

DESCRIPTION: CUSTOMER DRAWING PRESS FIT VERTICAL RECEPTACLE S+P+LP+S MULTI-BEAM HD CONNECTOR

IDENTIFIER: A1 00779 C=2204422

LOC	DIST	REVISIONS			
P	LTR	DESCRIPTION	DATE	DWN	APPD
-	-	SEE SHEET 1	-	-	-



PART NUMBER	ROWS	SIGNAL			POWER						SIGNAL									
		6	5	4	P6	P5	P4	P3	P2	P1	LP2	LP1	3	2	1					
2204422-2	E	SM	SM	SM	PM	PM	PM	PM	PM	PM	LM1	LM1	SM	SM	SM					
	D	SM	SM	SM									SM	SM	SM					
	C	SM	SM	SM									SM	SM	SM	LM2	LM2	SM	SM	SM
	B	SM	SM	SM									SM	SM	SM	SM	SM	SM	SM	SM
	A	SM	SM	SM									SM	SM	SM	SM	SM	SM	SM	SM

15S+4VLP+6P+15S

THIS DRAWING IS A CONTROLLED DOCUMENT.

DWN: THOMAS ZHAO 20AUG2013  
 CHK: SUNY ZHAO 20AUG2013  
 APD: SUNY ZHAO 20AUG2013

NAME: CUSTOMER DRAWING PRESS FIT VERTICAL RECEPTACLE S+P+LP+S MULTI-BEAM HD CONNECTOR

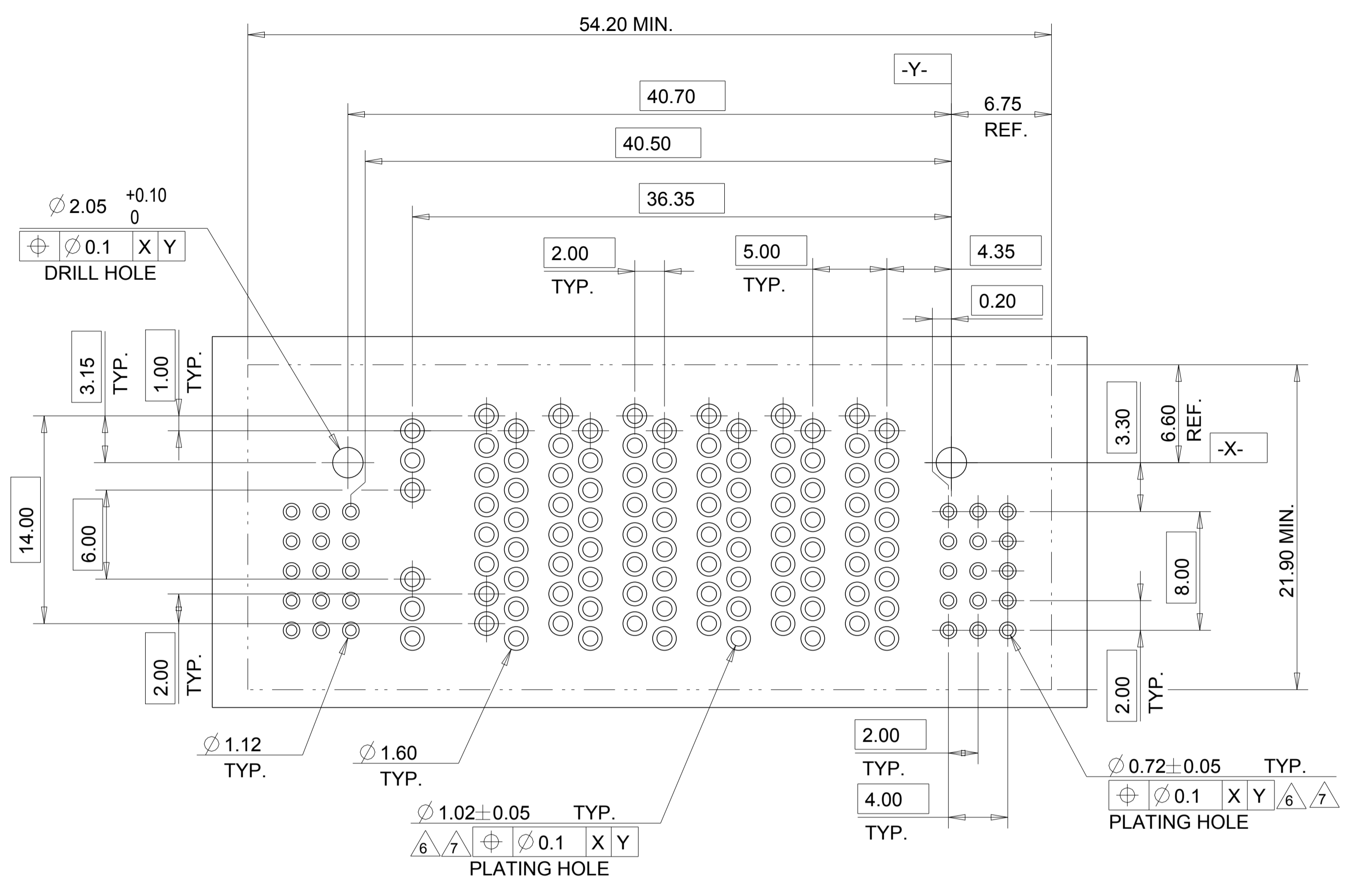
SIZE: A1 00779 CAGE CODE: 2204422 DRAWING NO: 2204422

SCALE: 4:1 SHEET 5 OF 6 REV A2

MATERIAL: - FINISH: - WEIGHT: - RESTRICTED TO: -

CUSTOMER DRAWING

LOC		DIST		REVISIONS			
P	LTR	DESCRIPTION		DATE	DWN	APVD	
-	-	SEE SHEET 1		-	-	-	

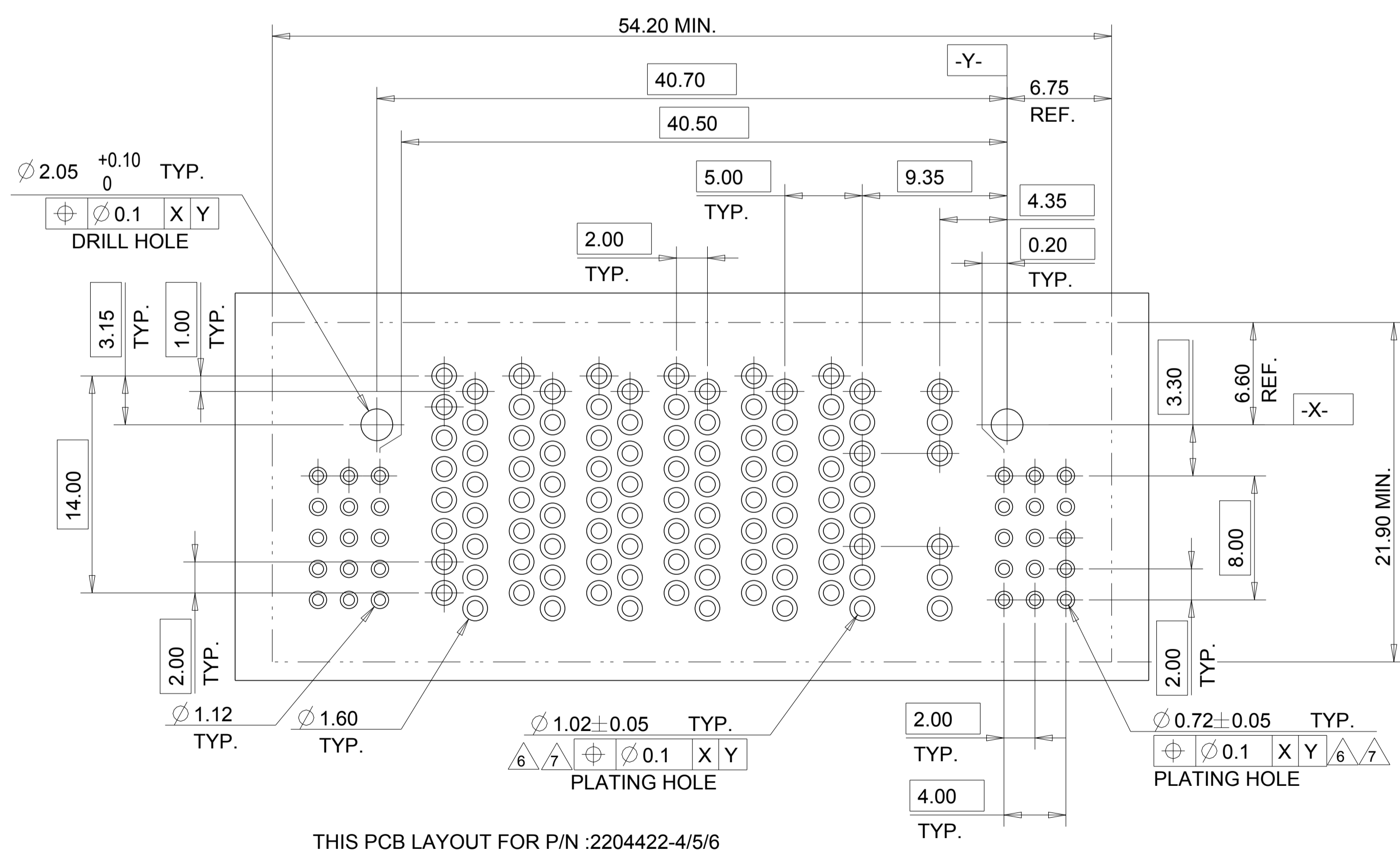


PART NUMBER	ROWS	SIGNAL				POWER						SIGNAL			
		6	5	4		LPI	P6	P5	P4	P3	P2	P1	3	2	1
2204422-3	E	SM	SM	SM	SM								SM	SM	SM
	D	SM	SM	SM	SM	PM	PM	PM	PM	PM	PM		SM	SM	SM
	C	SM	SM	SM	SM								SM	SM	SM
	A	SM	SM	SM	SM								SM	SM	SM
15S+6P+2LP+15S															

PART NUMBER	ROWS	SIGNAL				POWER						SIGNAL			
		6	5	4		P6	P5	P4	P3	P2	P1	LPI	3	2	1
2204422-4	E	SM	SM	SM	SM								SM	SM	SM
	D	SM	SM	SM	SM	PM	PM	PM	PM	PM	PM		SM	SM	SM
	C	SM	SM	SM	SM								SM	SM	SM
	A	SM	SM	SM	SM								SM	SM	SM
15S+2LP+6P+15S															

PART NUMBER	ROWS	SIGNAL				POWER						SIGNAL			
		6	5	4								3	2	1	
2204422-5	E	SM	SM	SM	SM								SM	SM	SM
	D	SM	SM	SM	SM								SM	SM	SM
	C	SM	SM	SM	SM								SM	SM	SM
	A	SM	SM	SM	SM								SM	SM	SM
15S+15S															

PART NUMBER	ROWS	SIGNAL				POWER						SIGNAL			
		6	5	4		P6	P5	P4	P3	P2	P1	LPI	3	2	1
2204422-6	E	SM	SM	SM	SM								SM	SM	SM
	D	SM	SM	SM	SM	PM	PM			PM	PM		SM	SM	SM
	C	SM	SM	SM	SM								SM	SM	SM
	A	SM	SM	SM	SM								SM	SM	SM
15S+2LP+4P+15S															



THIS PCB LAYOUT FOR P/N :2204422-4/5/6

THIS DRAWING IS A CONTROLLED DOCUMENT.		DWN: THOMAS ZHAO 20AUG2013	 TE Connectivity										
DIMENSIONS: mm		CHK: SUNY ZHAO 20AUG2013											
TOLERANCES UNLESS OTHERWISE SPECIFIED:		APVD: SUNY ZHAO 20AUG2013	NAME: CUSTOMER DRAWING PRESS FIT VERTICAL RECEPTACLE S+P+LP+S MULTI-BEAM HD CONNECTOR										
<table border="1"> <tr><td>0 PLC</td><td>±</td></tr> <tr><td>1 PLC</td><td>±0.4</td></tr> <tr><td>2 PLC</td><td>±0.25</td></tr> <tr><td>3 PLC</td><td>±0.15</td></tr> <tr><td>4 PLC</td><td>±</td></tr> </table>		0 PLC	±	1 PLC	±0.4	2 PLC	±0.25	3 PLC	±0.15	4 PLC	±	PRODUCT SPEC: -	RESTRICTED TO: -
0 PLC	±												
1 PLC	±0.4												
2 PLC	±0.25												
3 PLC	±0.15												
4 PLC	±												
MATERIAL: -		APPLICATION SPEC: -	SIZE: A1										
FINISH: -		WEIGHT: -	CAGE CODE: 00779										
		CUSTOMER DRAWING	DRAWING NO: 2204422										
		SCALE: 4:1	SHEET 6 OF 6										
			REV: A2										