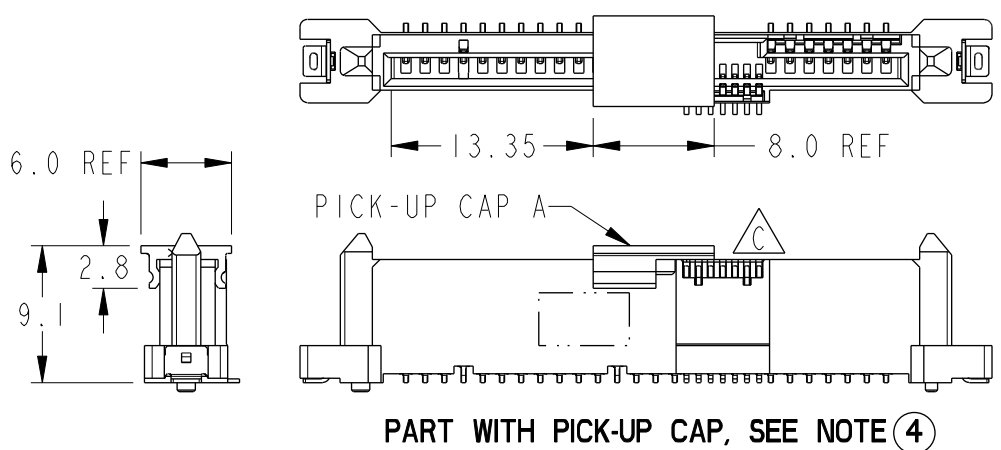
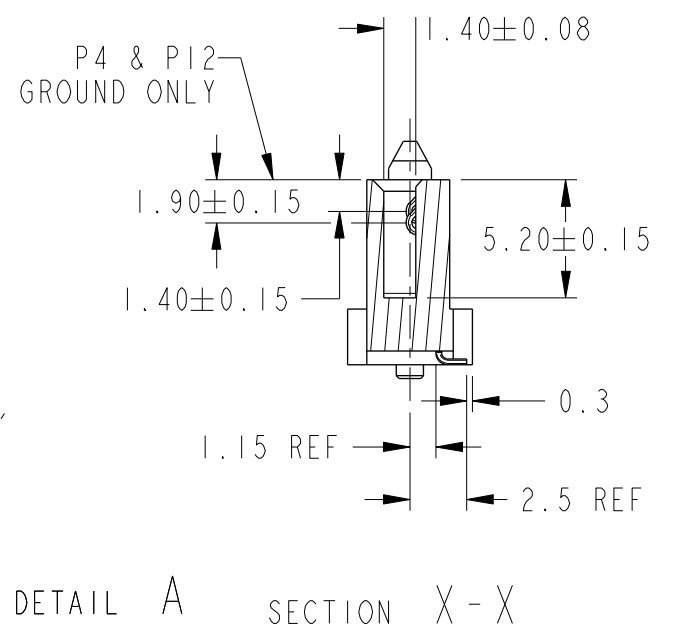
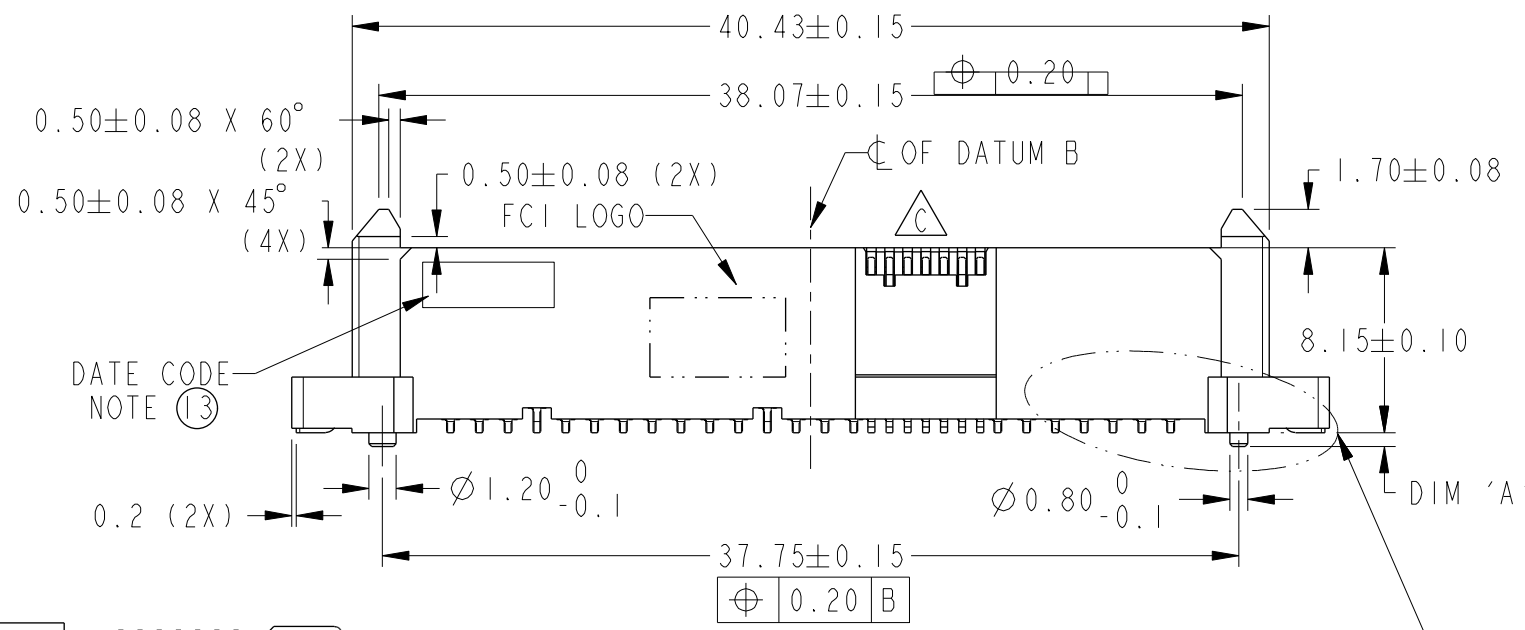
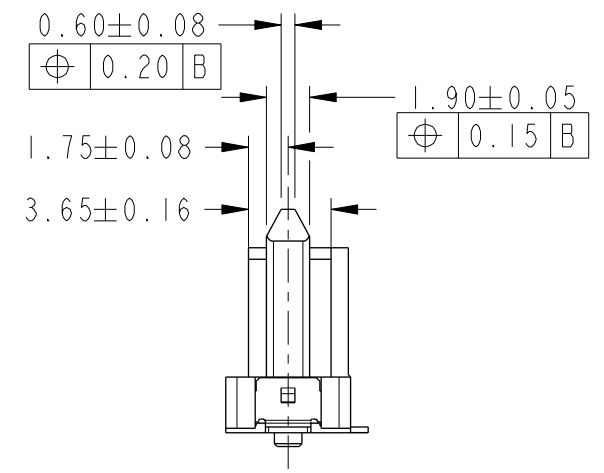
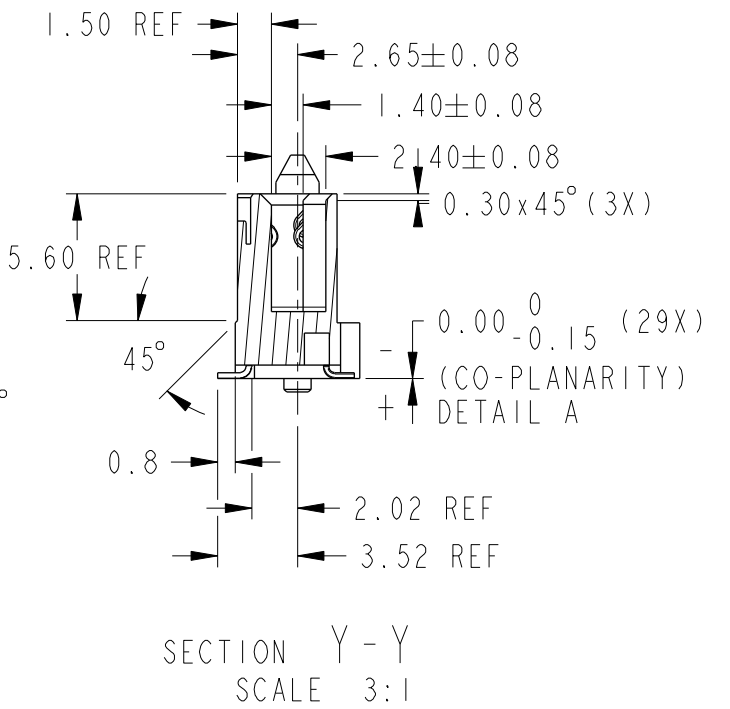
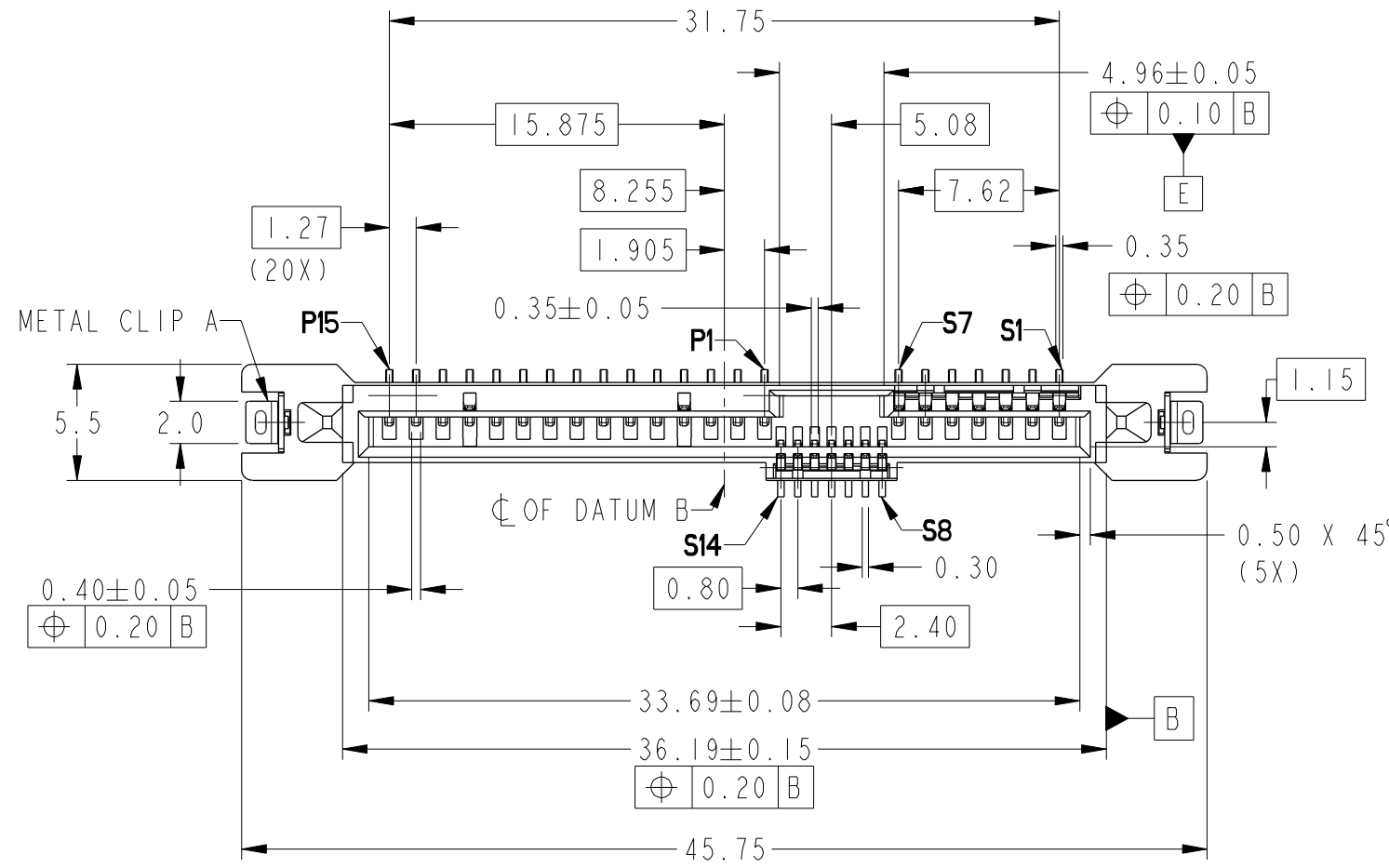


PRODUCT NUMBER
SEE TABLE

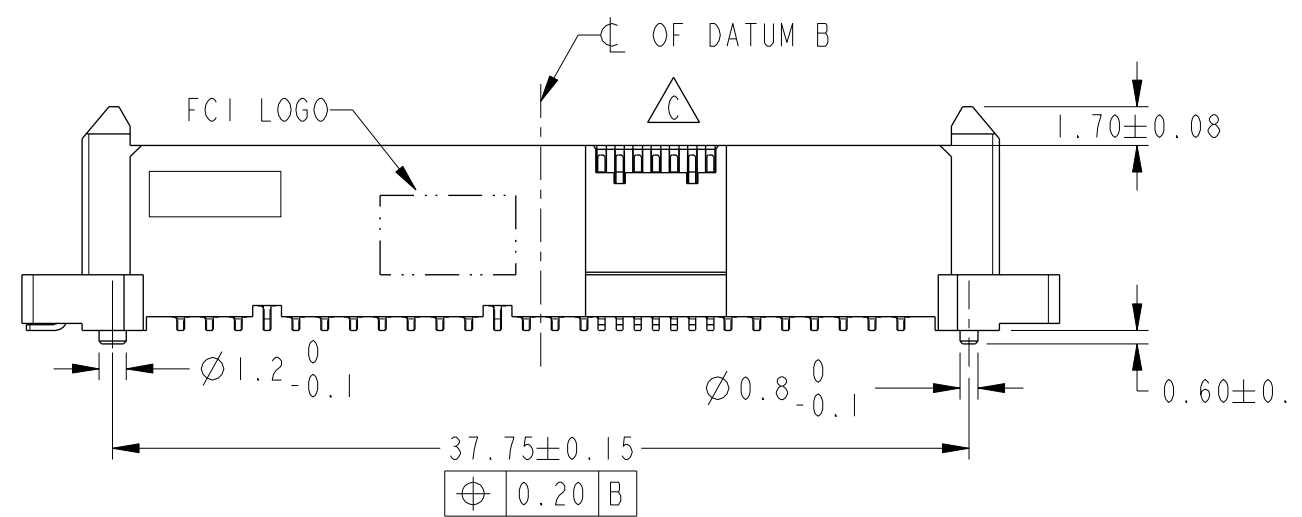
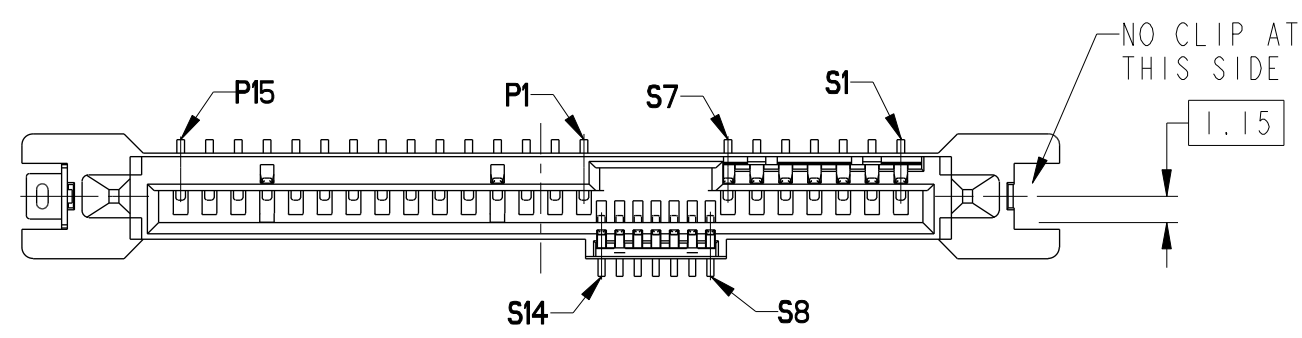


spec ref	-	dr	M Srinivasan	2014/02/05	projection	mm	size	A3	scale	3:1
tolerance std	ISO 406 ISO 1101	eng	Noorhazlinda	2017/05/10		mm	ecn no	ELX-M-26065-1	rel level	Released
surface	linear	chr	-	apppr			Koon-Poh Tay	2017/05/17		product family
	angular	0°	±2°	cat. no.	Product - Customer Drw	sheet 1 of 5				

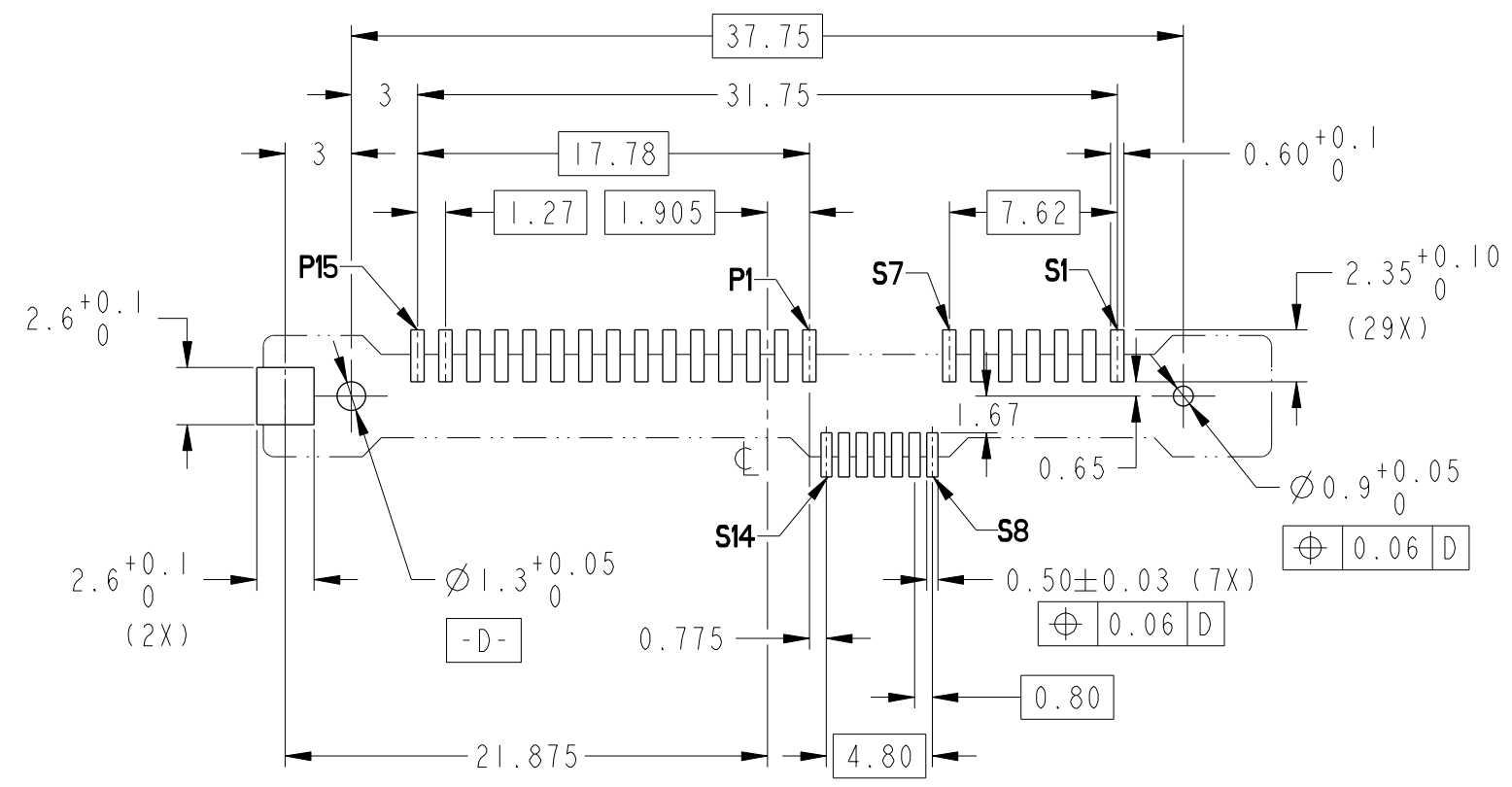
Amphenol FCI

© 2016 AFCI

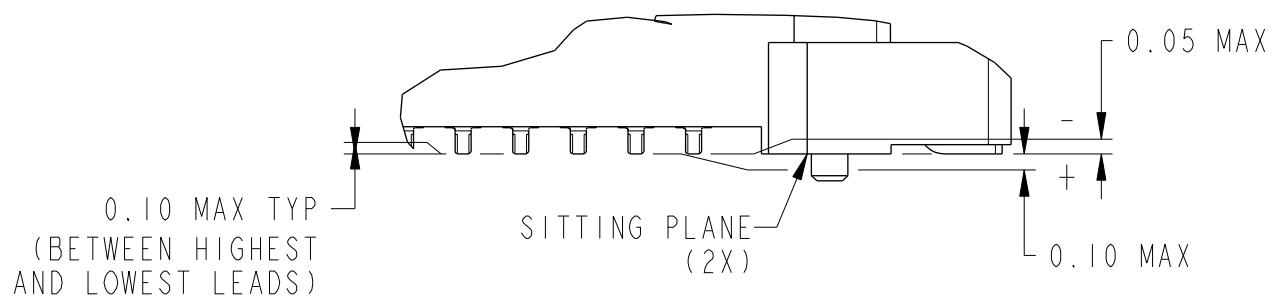
PRODUCT NUMBER	METAL CLIP A	PLATING	PICK-UP CAP A	PACKAGING	REMARKS	PRODUCT NUMBER	PLATING
10125550-002LF	1 PC	NOTE ②	NO	TRAY	NOTE ⑧	10125550-402LF	NOTE ⑩
10125550-002CLF			YES		NOTE ④ & ⑧	10125550-402CLF	
10125550-002C-TRLF			YES	TAPE & REEL	NOTE ④ ⑥ & ⑧	10125550-402C-TRLF	



ALL OTHER DIMENSIONS, REFER TO SHEET 1



RECOMMENDED PCB LAYOUT



DETAIL A
SCALE 6:1

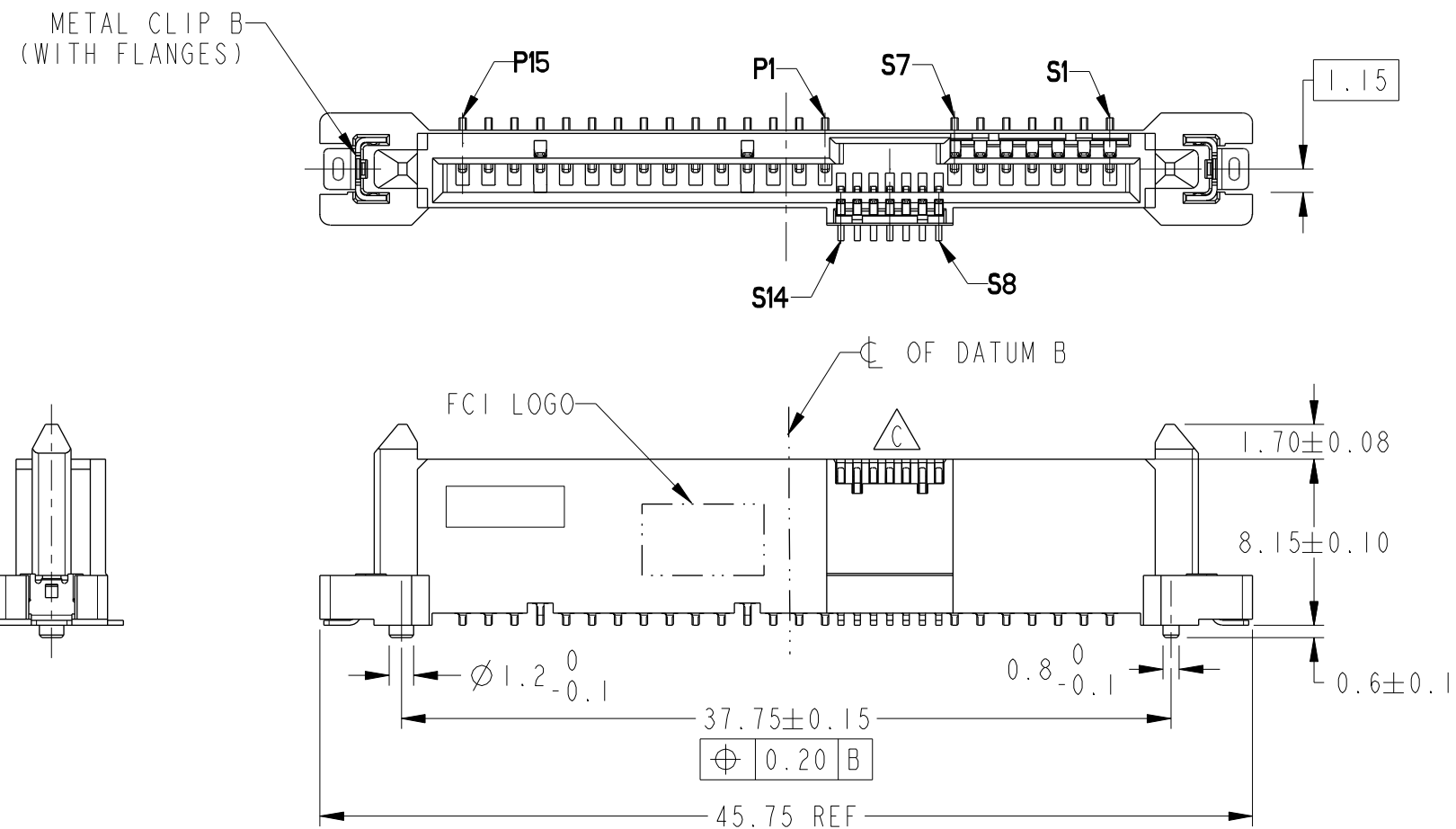
spec ref	-	dr	M Srinivasan	2014/02/05	projection	mm	size	A3	scale	3:1
tolerance std	ISO 406 ISO 1101	eng	Noorhazlinda	2017/05/10		mm	ecn no	ELX-M-26065-1	rel level	Released
TOLERANCES UNLESS OTHERWISE SPECIFIED		chr	-	apppr						
surface	linear	0.X	±	Amphenol FCI	SAS RECEPTACLE VERTICAL SMT TYPE ASSY		cat. no.	-	Product - Customer Drw	sheet 3 of 5
	angular	0°	±2°							
		0.XX	±0.20							
		0.XXX	±							
		0°	±2°							

Amphenol FCI

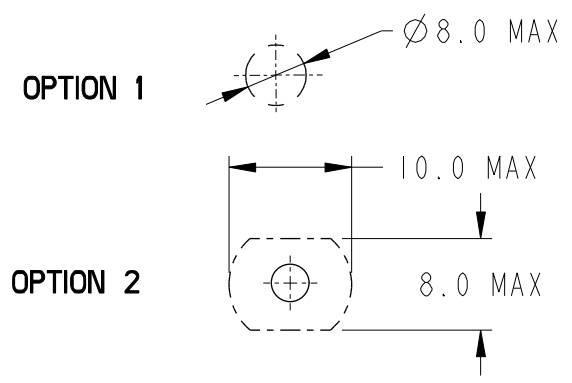
© 2016 AFCI

PRODUCT NUMBER	METAL CLIP B	PLATING	PICK-UP CAP B	PACKAGING	REMARKS	PRODUCT NUMBER	PLATING
10125550-003LF	2 PCS	NOTE ②	NO	TRAY	NOTE ⑧	10125550-403LF	NOTE ⑩
10125550-003CLF			YES		NOTE ④ & ⑧	10125550-403CLF	
10125550-003C-TRLF			YES	TAPE & REEL	NOTE ④ ⑥ & ⑧	10125550-403C-TRLF	

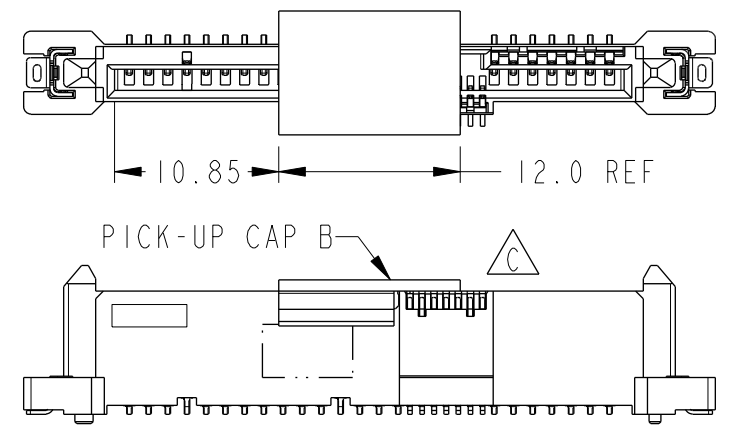
NOTE ⑩



ALL OTHER DIMENSIONS AND PCB LAYOUT, REFER TO -001LF



RECOMMENDED SUCTION HEAD SIZE



PART WITH PICK-UP CAP, SEE NOTE ④
SCALE 2:1

spec ref	-	dr	M Srinivasan	2014/02/05
tolerance std	ISO 406 ISO 1101	eng	Noorhazlinda	2017/05/10
	TOLERANCES UNLESS OTHERWISE SPECIFIED	chr	-	-
		appr	Koon-Poh Tay	2017/05/17
surface	linear	0.X	±	
		0.XX	±0.20	
		0.XXX	±	
	angular	0°	±2°	

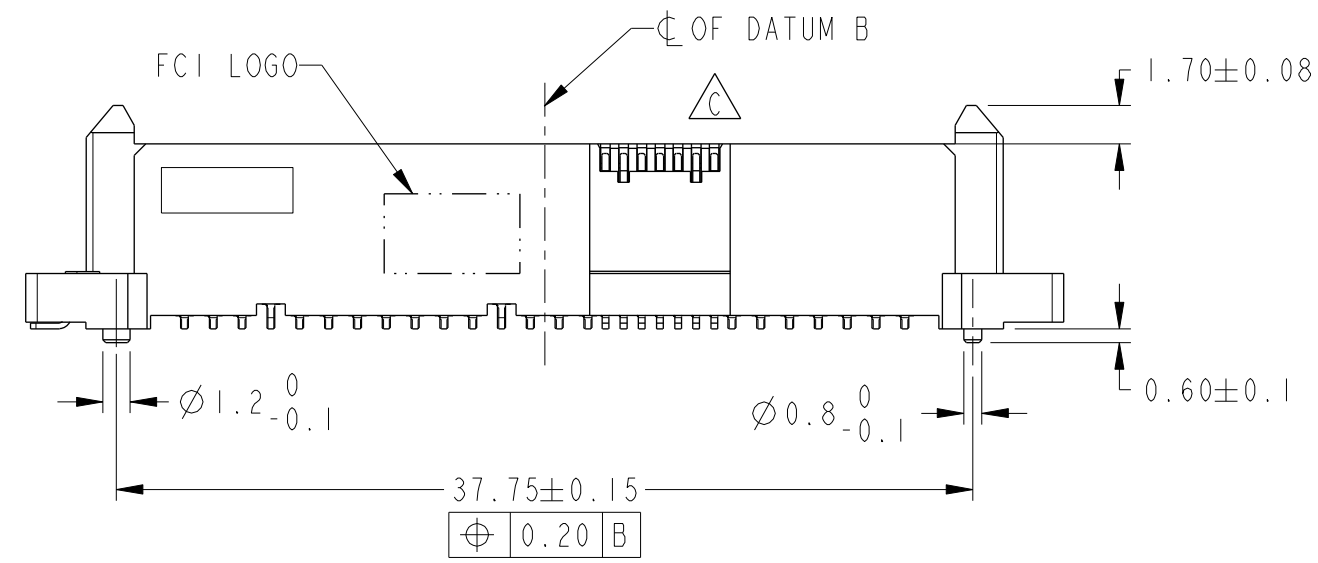
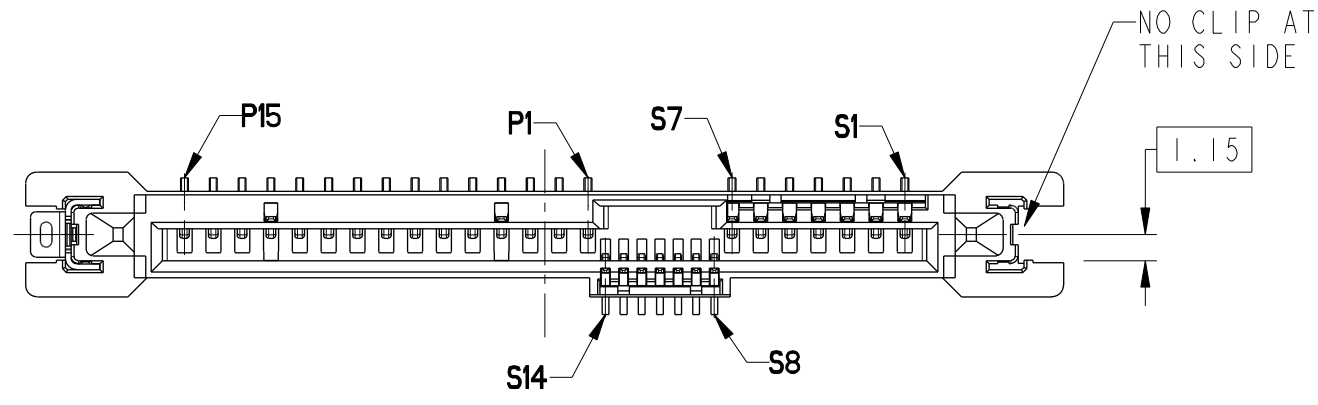
projection	mm	size	A3	scale	3:1
product family	SAS	ecn no	ELX-M-26065-1	rel level	Released
cat. no.	-	Product - Customer Drw	10125550	rev	C
SAS RECEPTACLE		VERTICAL SMT TYPE ASSY		dwg no	10125550
Amphenol FCI		Product - Customer Drw		sheet 4 of 5	

Amphenol FCI

© 2016 AFCI

PRODUCT NUMBER	METAL CLIP B	PLATING	PICK-UP CAP B	PACKAGING	REMARKS	PRODUCT NUMBER	PLATING
10125550-004LF	1 PC	NOTE ②	NO	TRAY	NOTE ⑧	10125550-404LF	NOTE ⑩
10125550-004CLF			YES		NOTE ④ & ⑧	10125550-404CLF	
10125550-004C-TRLF			YES	TAPE & REEL	NOTE ④ ⑥ & ⑧	10125550-404C-TRLF	

NOTE ⑩



ALL OTHER DIMENSIONS AND PCB LAYOUT, REFER TO -002LF

Amphenol
FCi

© 2016 AFci

spec ref	-	dr	M Srinivasan	2014/02/05	projection	mm	size	A3	scale	3:1
tolerance std	ISO 406 ISO 1101	eng	Noorhazlinda	2017/05/10			ecn no	ELX-M-26065-1		
TOLERANCES UNLESS OTHERWISE SPECIFIED		chr	-	-			product family	SAS	rel level	Released
surface	ISO 1302	appr	Koon-Poh Tay	2017/05/17	Amphenol FCI		SAS RECEPTACLE VERTICAL SMT TYPE ASSY	dwg no 10125550	rev C	
					cat. no.	-	Product - Customer Drw	sheet 5 of 5		