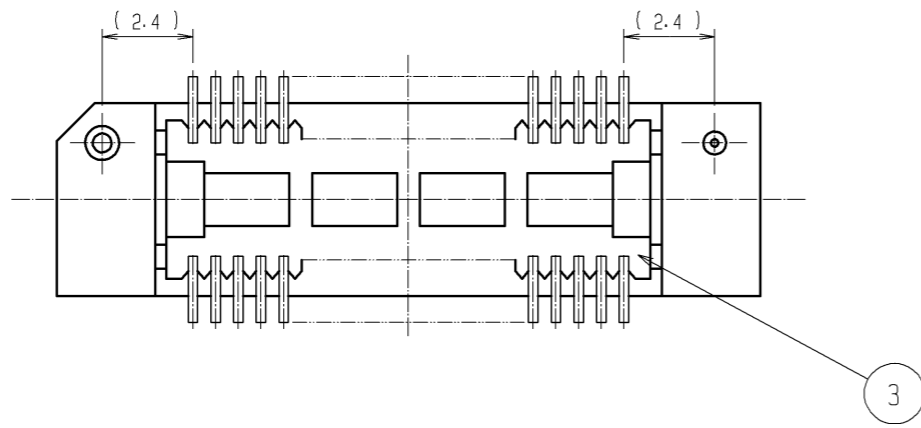
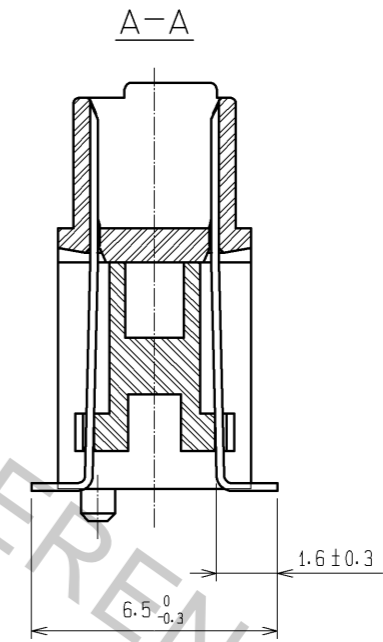
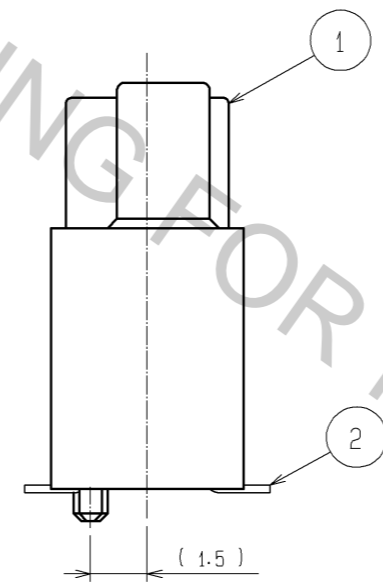
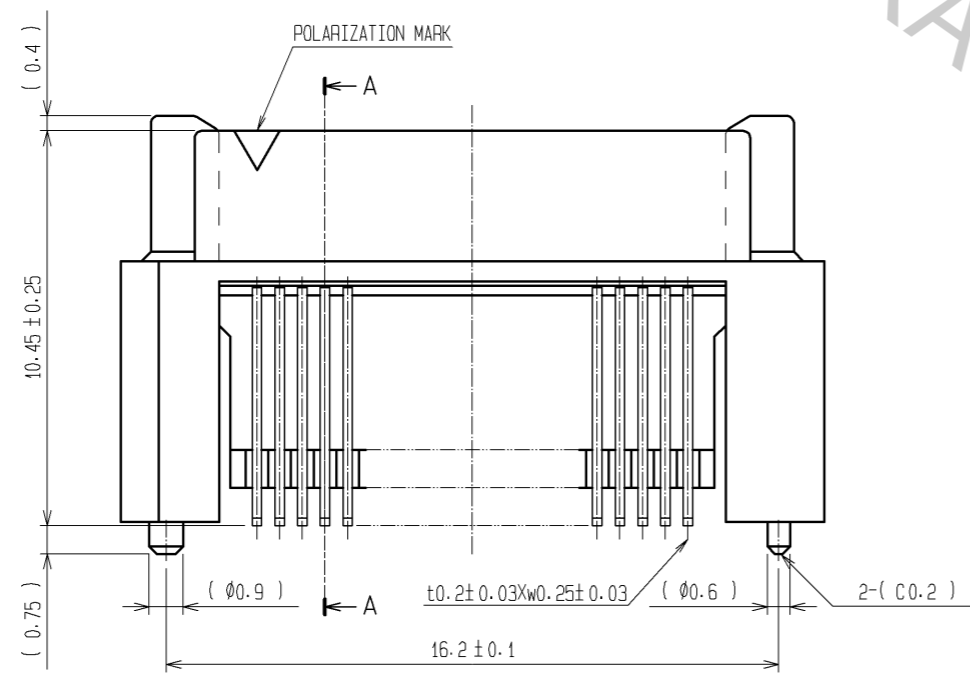
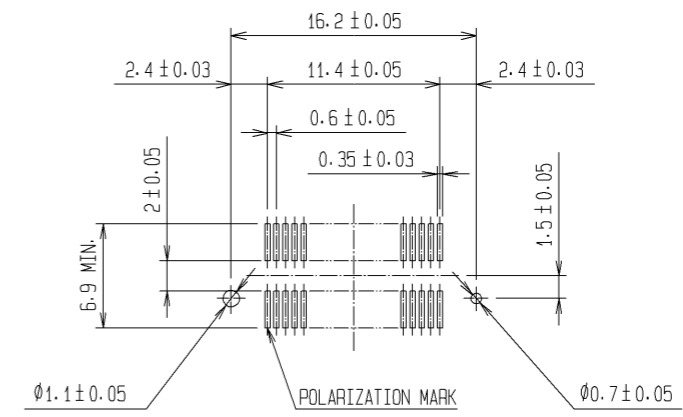


RECOMMENDED LAND PATTERN DIMENSION OF PCB (MOUNTING SIDE) (2:1)  
(RECOMMENDED METAL MASK THICKNESS:0.15mm)



- NOTE 1. LEAD CO-PLANARITY SHALL BE 0.1mm MAX.  
 2. EMBOSSED CARRIER TAPE PACKAGING SHALL BE APPLIED TO THIS PRODUCT. SEE NEXT PAGE FOR DETAILS.  
 3. FOR MODIFICATION, ETC. PREVENTIVE HOLE FOR SINK MARK MAY BE ADDED ACCORDING TO CIRCUMSTANCES.  
 4. THE DIMENSIONS IN PARENTHESES ARE FOR REFERENCE.

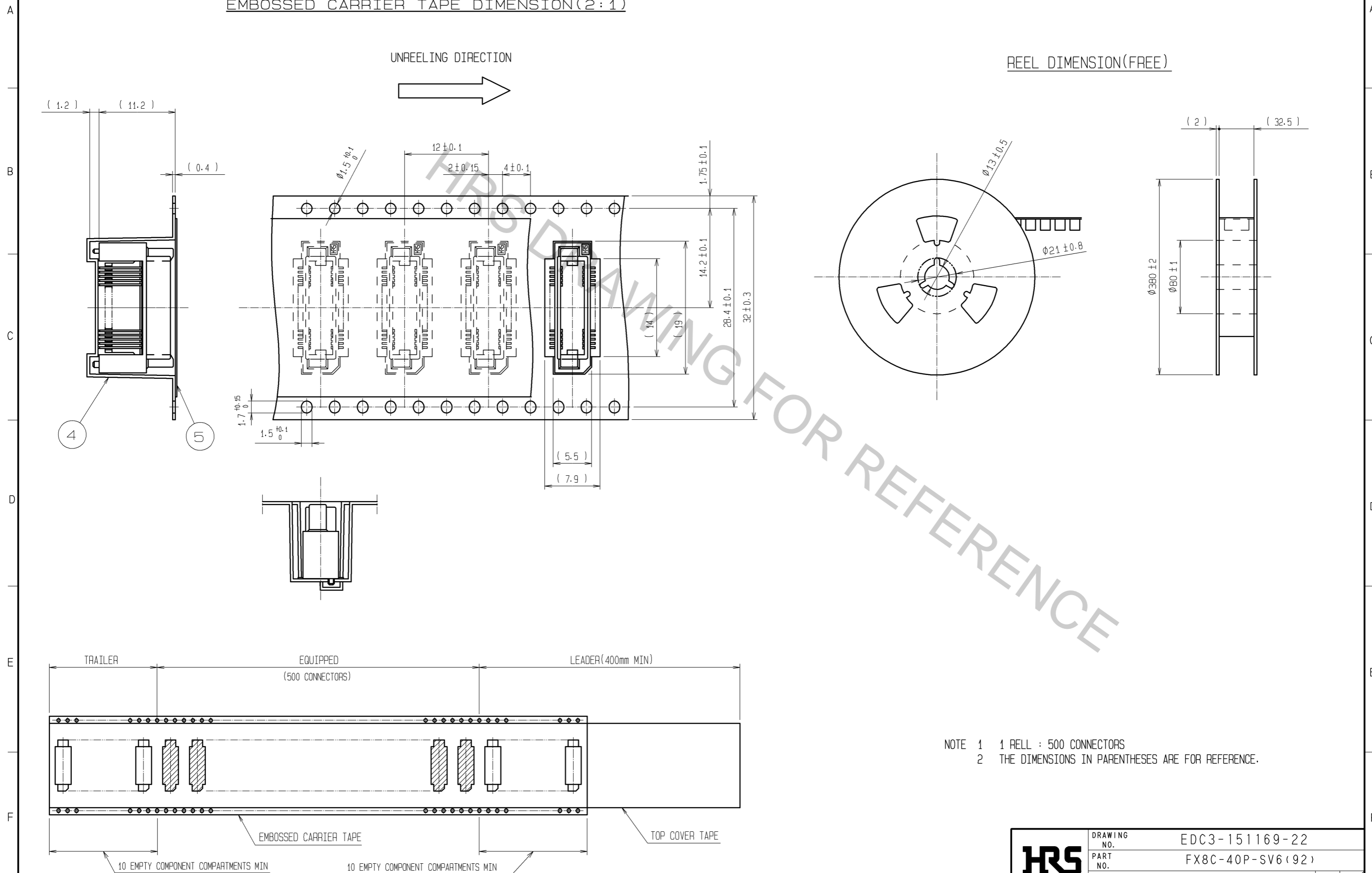
2	PHOSPHOR BRONZE	CONTACT AREA:GOLD 0.1µm min.			
		LEAD AREA:TIN-PLATING 2µm min.			
		UNDER PLATING:NICKEL1µm min.	5	POLYESTER	(TOP COVER TAPE)
1, 3	PPS	LIGHT BROWN(UL94V-0)	4	POLYSTYRENE	(EMBOSSED CARRIER TAPE)
NO.	MATERIAL	FINISH . REMARKS	NO.	MATERIAL	FINISH . REMARKS
UNITS mm		SCALE 5 : 1	COUNT 	DESCRIPTION OF REVISIONS	
<b>HRS</b> HIROSE ELECTRIC CO., LTD.		APPROVED : HS. OKAWA 09. 11. 13	DRAWING NO. EDC3-151169-22		
		CHECED : HT. YAMAGUCHI 09. 11. 13	PART NO. FX8C-40P-SV6(92)		
		DESIGNED : SY. KAMIGA 09. 11. 12	CODE NO. CL578-0609-5-92		
		DRAWN : HK. SUNADORI 09. 11. 12	DATE		

Apr.1.2017 Copyright 2017 HIROSE ELECTRIC CO., LTD. All Rights Reserved.

EMBOSSSED CARRIER TAPE DIMENSION(2:1)

UNREELING DIRECTION

REEL DIMENSION(FREE)



NOTE 1 1 REEL : 500 CONNECTORS  
 2 THE DIMENSIONS IN PARENTHESES ARE FOR REFERENCE.

<b>HRS</b>	DRAWING NO.	EDC3-151169-22	2/2
	PART NO.	FX8C-40P-SV6(92)	
	CODE NO.	CL578-0609-5-92	

Apr.1.2017 Copyright 2017 HIROSE ELECTRIC CO., LTD. All Rights Reserved.