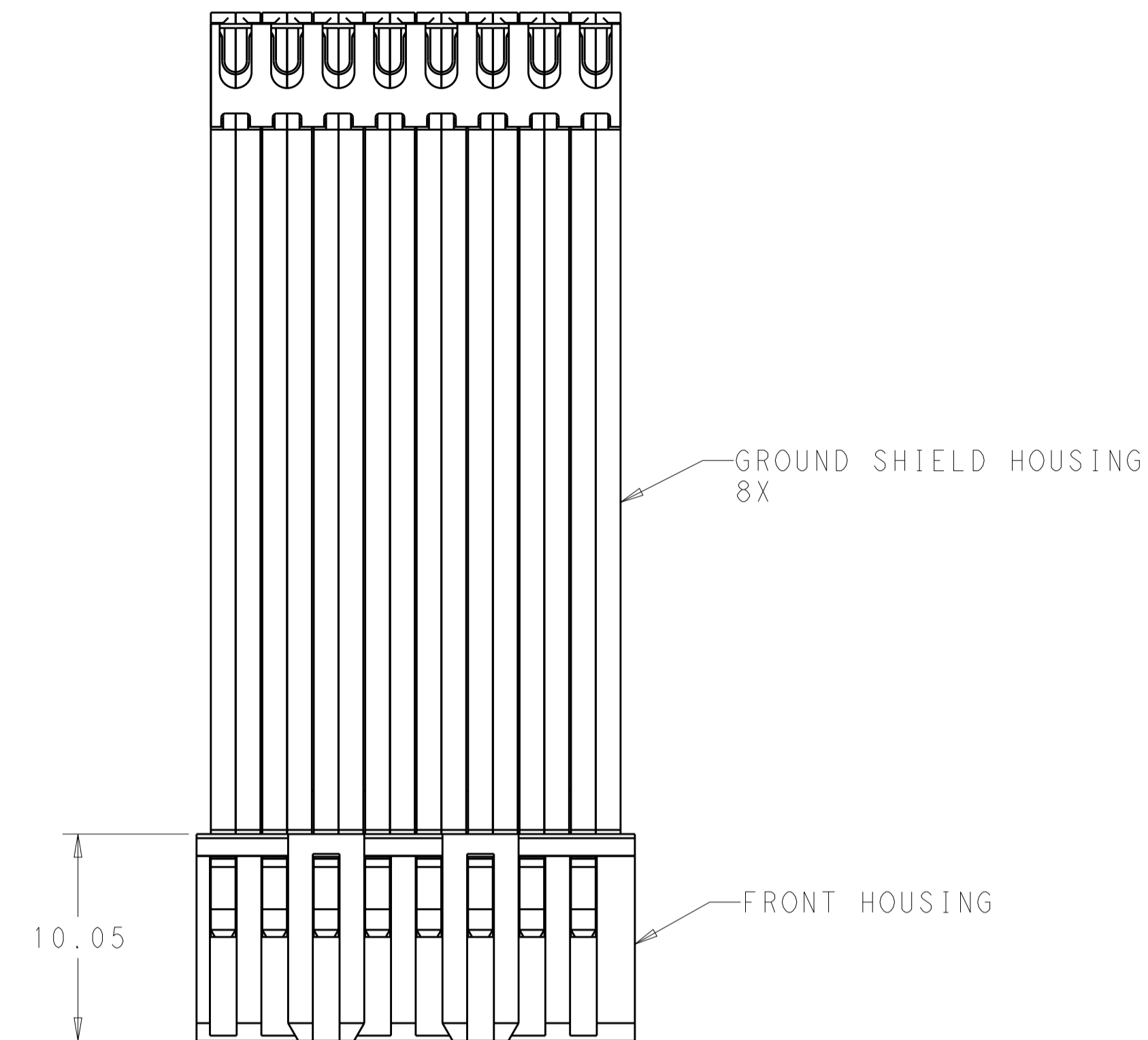
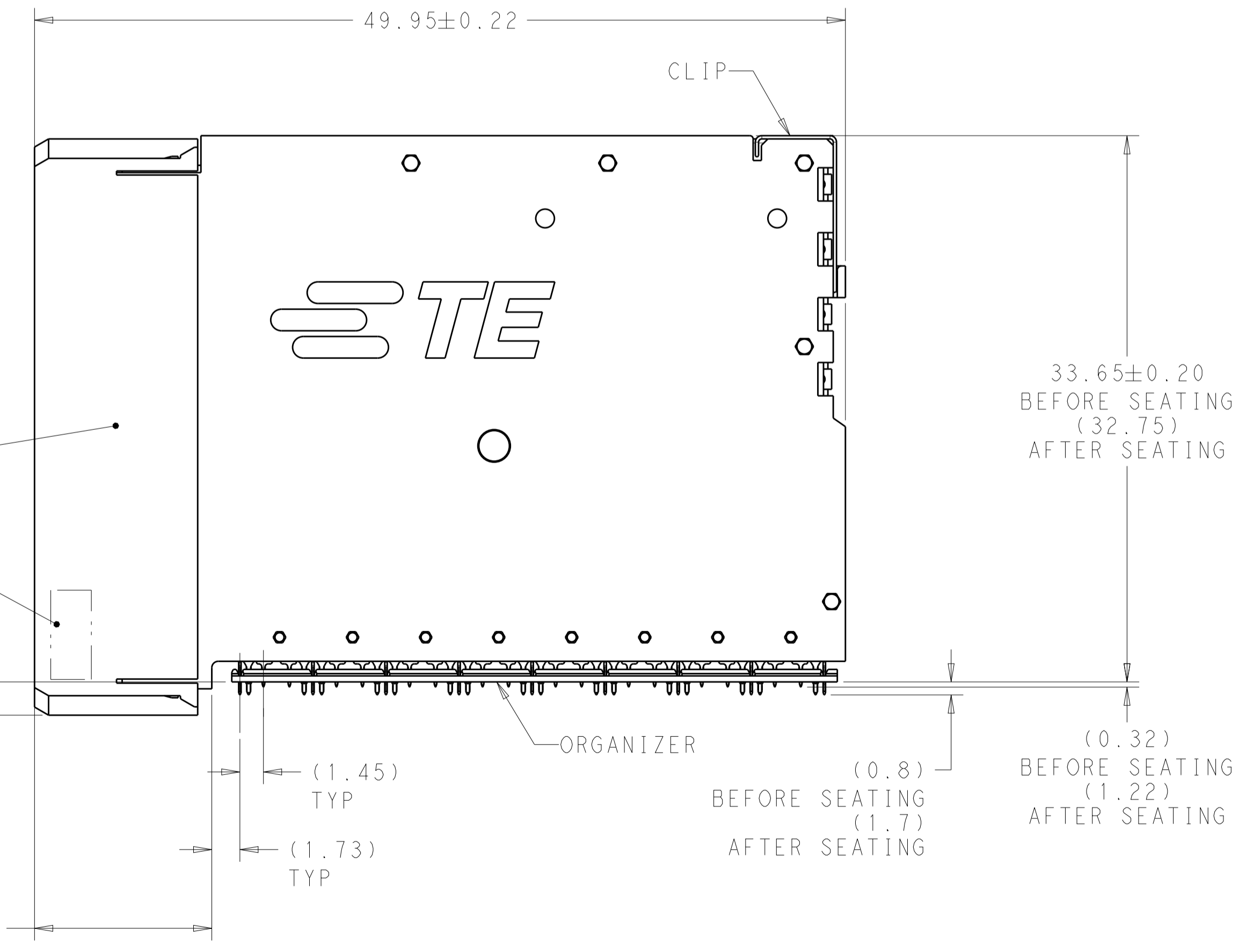
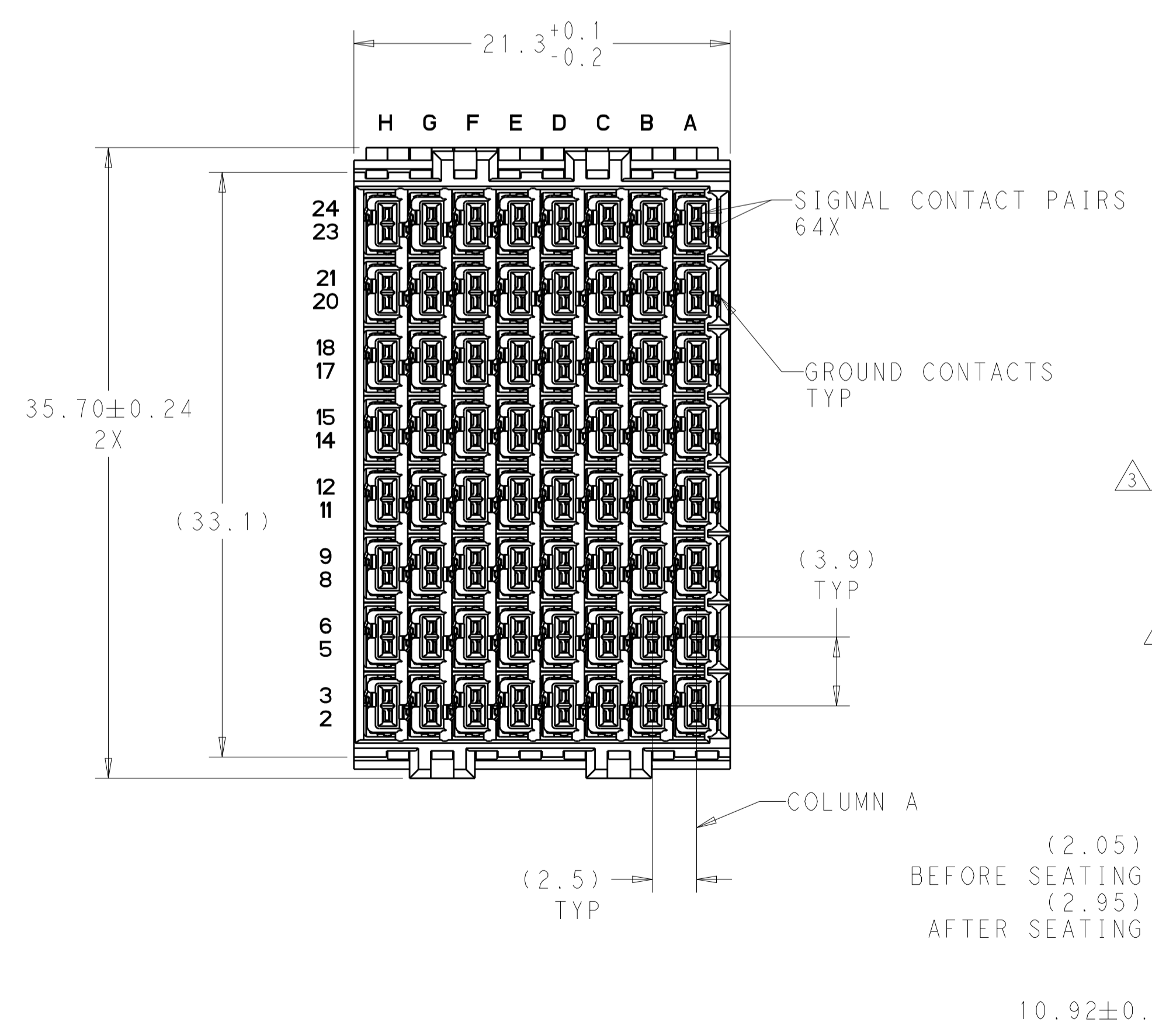


LOC	DIST	REVISIONS			
P	LTN	DESCRIPTION	DATE	DMN	APVD
A		RELEASED	09MAY2016	Y.K	D.T
B		REVISED PER ECR-16-017113	08DEC2016	JM	DT



- 1 CONTACTS - COPPER ALLOY. CLIP - STAINLESS STEEL. HOUSING AND ORGANIZER - THERMOPLASTIC, UL94 V-0, BLACK.
- 2 CONFORMS TO REQUIREMENTS OF TE PRODUCT SPECIFICATION 108-32112, BASED ON TELCORDIA GR-1217-CORE FOR SYSTEM QUALITY LEVEL III APPLICATIONS IN CONTROLLED ENVIRONMENTS (CENTRAL OFFICE).
- 3 CONNECTOR MARKED ON EITHER SIDE OF HOUSING WITH PART NUMBER, DATE CODE, AND '85 OHM' IN APPROXIMATE AREA SHOWN.
- 4 PLATED THRU HOLE REQUIREMENTS:
FINISHED HOLE = $\varnothing 0.360 \pm 0.050$
DRILLED HOLE = $\varnothing 0.450 \pm 0.025$
COPPER THICKNESS = 0.025 MINIMUM
IMMERSION TIN IF APPLICABLE = 0.0006-0.0011
- 5 PLATED THRU HOLE REQUIREMENTS:
FINISHED HOLE = $\varnothing 0.270 \pm 0.050$
DRILLED HOLE = $\varnothing 0.370 \pm 0.025$
COPPER THICKNESS = 0.025 MINIMUM
IMMERSION TIN IF APPLICABLE = 0.0006-0.0011
- 6 SIGNAL HOLES:
PLATED THRU HOLE DIMENSIONS APPLY TO THE TOP 1.00 OF THE PCB THICKNESS FROM THE CONNECTOR MOUNTING SIDE.
GROUND HOLES:
PLATED THRU HOLE DIMENSIONS APPLY TO THE TOP 1.25 OF THE PCB THICKNESS FROM THE CONNECTOR MOUNTING SIDE.
- 7 DATUMS AND BASIC DIMENSIONS ESTABLISHED BY CUSTOMER.
- 8 DATAMATRIX BARCODE MARKING IN THIS AREA.



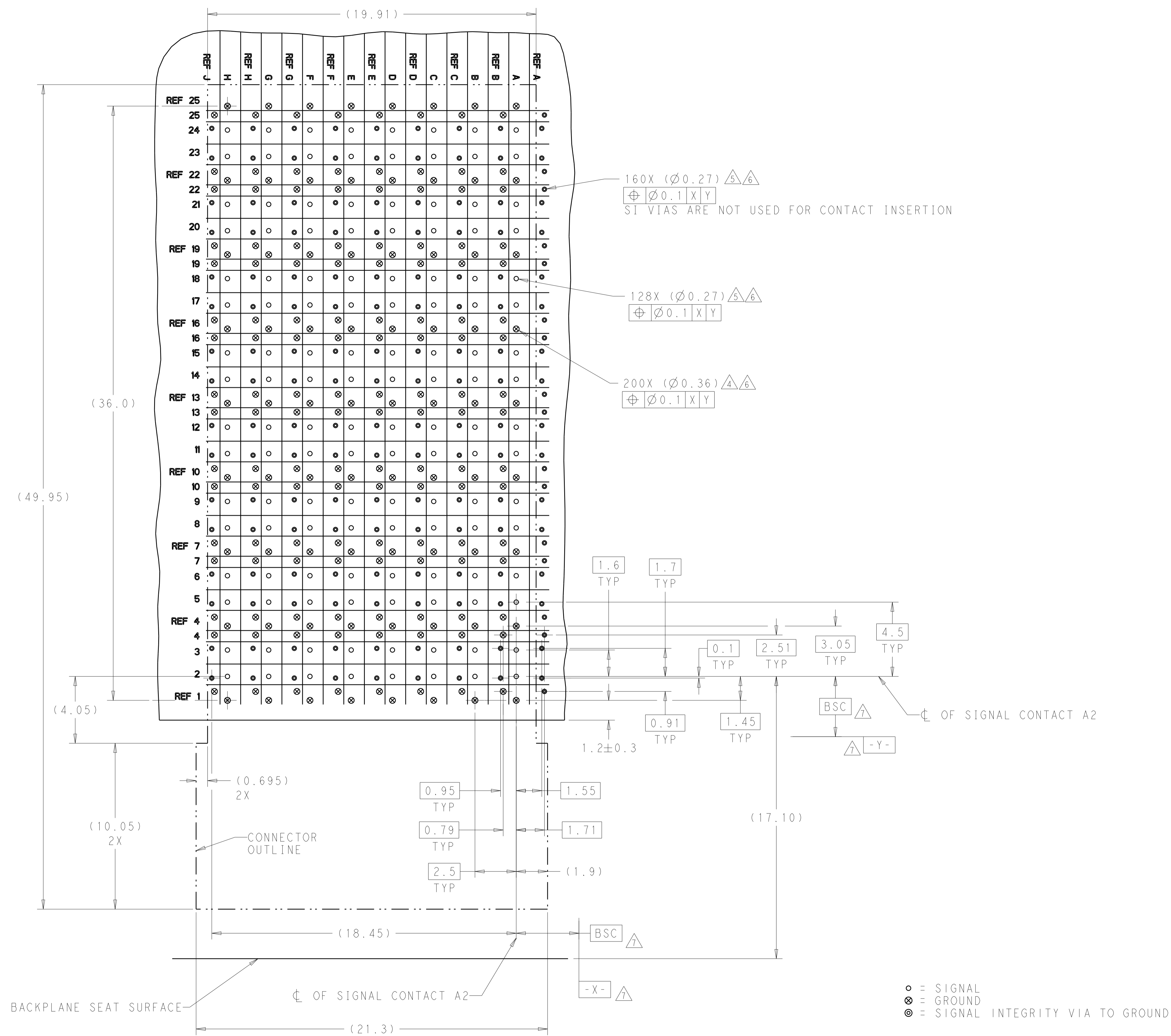
TIN	2274730-1
PRESS FIT TAIL PLATING	PART NO

THIS DRAWING IS A CONTROLLED DOCUMENT.

DIMENSIONS:	TOLERANCES UNLESS OTHERWISE SPECIFIED:	DMN: Y. KODAIRA 09MAY2016	CHK: D. TROUT 09MAY2016	APVD: D. TROUT 09MAY2016	NAME: RECEPTACLE ASSEMBLY, RIGHT ANGLE, 8 PAIR 8 COLUMN, 85 OHM P/C, STRADA WHISPER
mm	0 PLC ± 1 PLC ± 2 PLC ±0.12 3 PLC ± 4 PLC ±	PRODUCT SPEC	APPLICATION SPEC	SIZE: A1	CAGE CODE: 100779
MATERIAL:	FINISH: SEE TABLE	WEIGHT:	CUSTOMER DRAWING	SCALE: 4:1	SHEET 1 OF 2

PRELIMINARY

LOC		DIST		REVISIONS				
GP	00	P	LTN	DESCRIPTION	DATE	DWN	APVD	
		-		SEE SHEET 1				



PCB LAYOUT
 COMPONENT SIDE
 SCALE 8:1

THIS DRAWING IS A CONTROLLED DOCUMENT.		DWN	TE Connectivity	
DIMENSIONS:		CHK	NAME	
mm	TOLERANCES UNLESS OTHERWISE SPECIFIED:	APVD	RECEPTACLE ASSEMBLY, RIGHT ANGLE, 8 PAIR 8 COLUMN, 85 OHM PiC, STRADA WHISPER	
0 PLC	±	PRODUCT SPEC	SIZE CAGE CODE DRAWING NO	
1 PLC	±0.12	APPLICATION SPEC	A100779C=2274730	
2 PLC	±	WEIGHT	RESTRICTED TO	
3 PLC	±	CUSTOMER DRAWING	SCALE NTS SHEET 2 OF 2 REV B	
4 PLC	±			
ANGLES	±			
FINISH	SEE TABLE			