

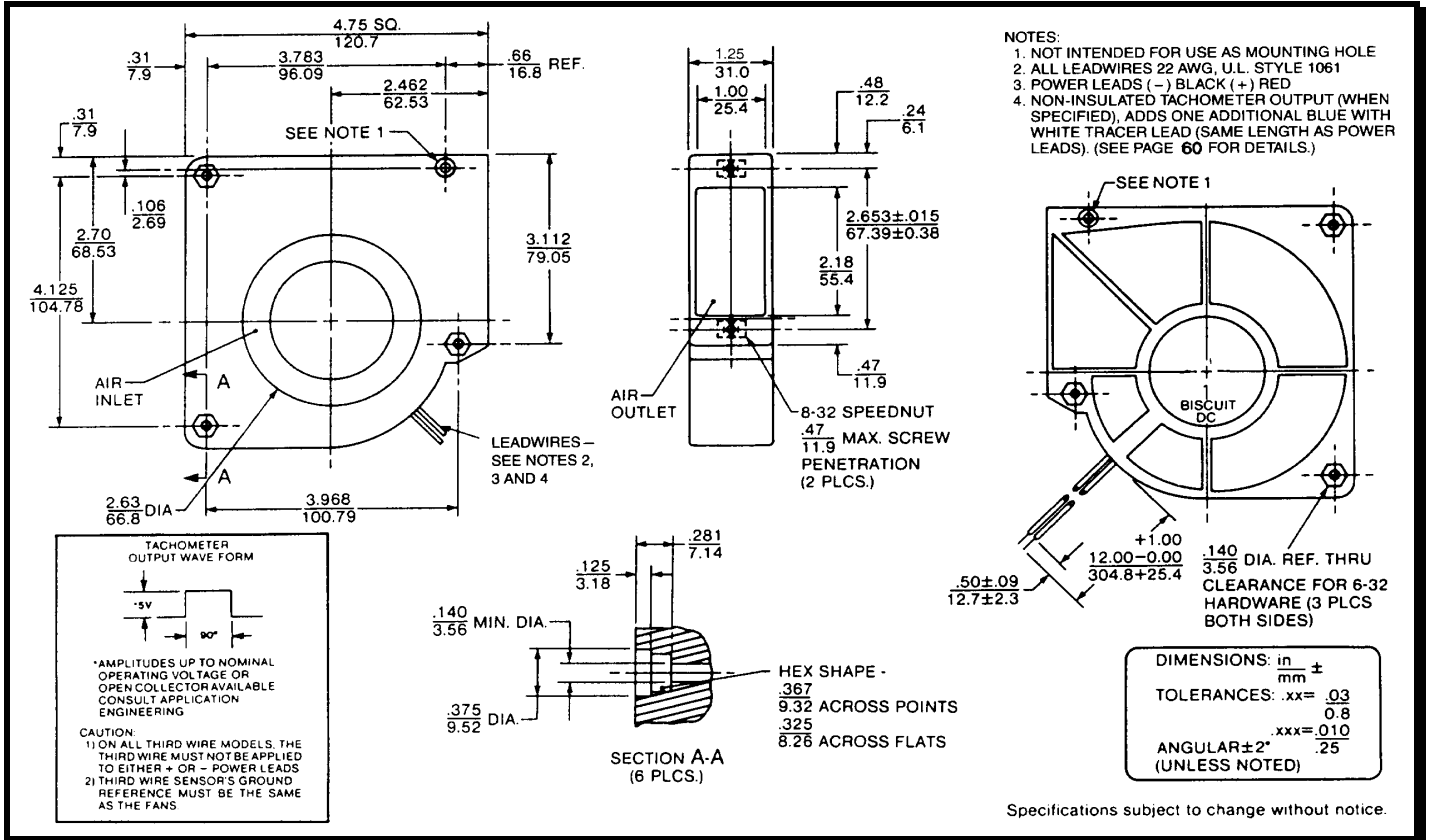
SPECIFICATIONS

Model Number: BD48B3
Part Number: 030637

November 8, 2002



Mechanical Drawing:



Motor:

Nominal Voltage	= 48 vdc
Operating Voltage Range	= 24 - 56 vdc
Nominal Running Current	= 0.25 amps
Locked Rotor Current	= 0.50 amps
Running Power	= 12.0 watts
Average Speed	= 2950 rpm
Bearings	= Ball
Air Flow	= 25 cfm
Acoustic	= 52.3 dBA

Construction:

Venturi: Plastic, Black, UL 94V-0
 Propeller: Plastic, Black, UL 94V-0

Agency Certification:

UL, CE

Life Expectancy:

This fan is designed for continuous duty life of 78,000 hours at 40°C.

Additional Features:

Brushless DC Motor
 Polarity Protected
 Locked Rotor Protection
 Automatic Restart Capability
 Operating Temperature: -10°C to 70°C
 Storage Temperature: -40°C to 85°C

Termination:

12" Lead wires, AWG 22, UL 1061
 Red: = Power (+)
 Black: = Return (-)