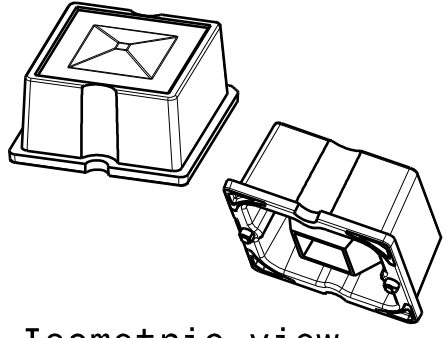


D

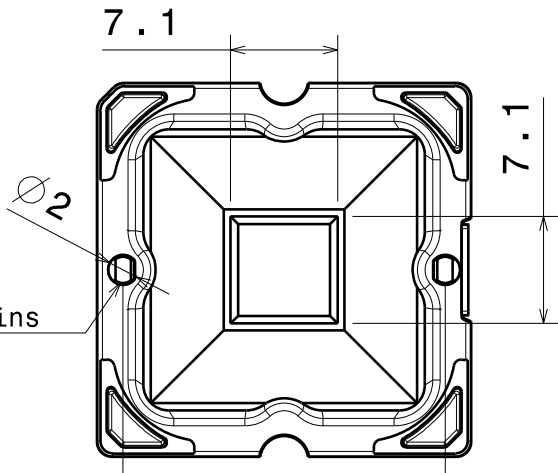
C

B

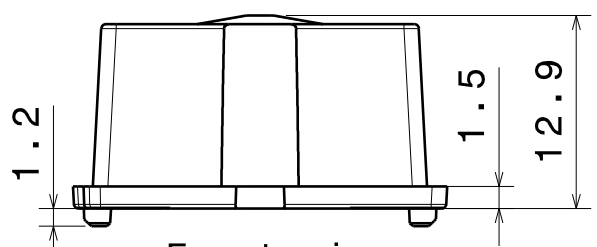
A



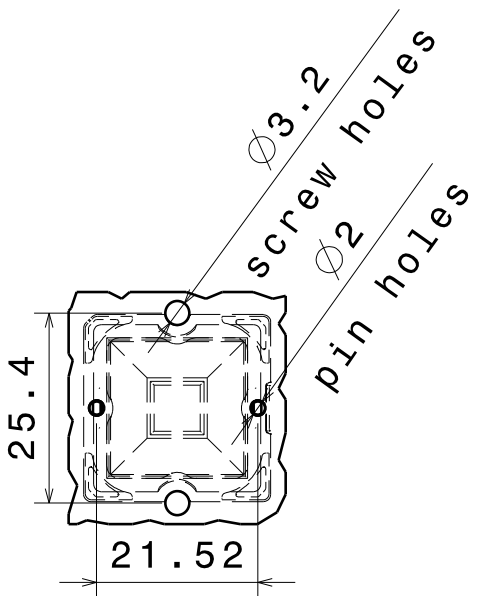
Isometric view



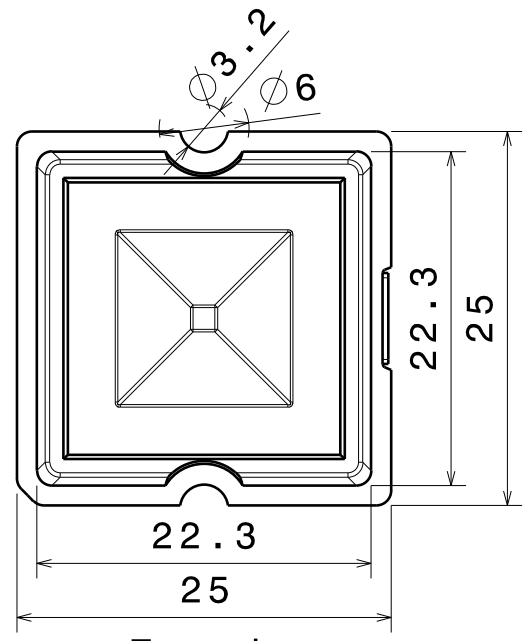
Bottom view



Front view



PCB-Suggestion



Top view

Material: PMMA

Tolerances if not otherwise shown: According to DIN ISO 2768-1

Linear measures: Up to 30mm class F, otherwise class M.

According to DIN ISO 2768-2

Form and position: class K

Control for SPC marked dimensions.

This drawing is our property. It can't be reproduced or communicated without our written agreement.



Ledil Oy
Salorankatu 10
FIN 24240 SALO
Finland

DRAWING TITLE

Datasheet HB-SQ-A lens

DRAWN BY mav	DATE 27.03.2012
------------------------	---------------------------

CHECKED BY pv	DATE 27.03.2012
-------------------------	---------------------------

DESIGNED BY mav	DATE 27.03.2012
---------------------------	---------------------------

SIZE A4	DRAWING NUMBER C12767	REV 1
SCALE 1:1	WEIGHT (g)	SHEET 1/1

D

A