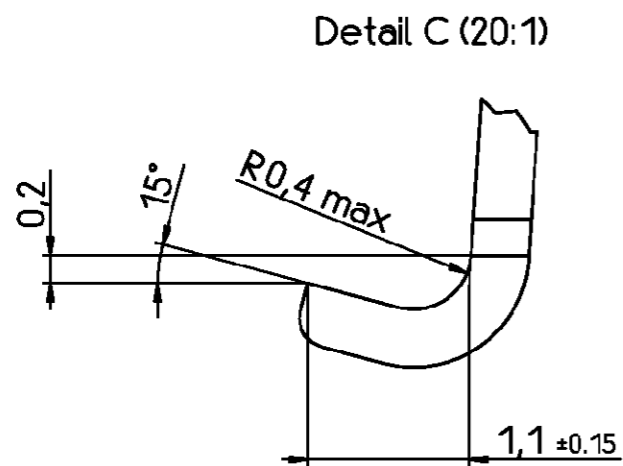
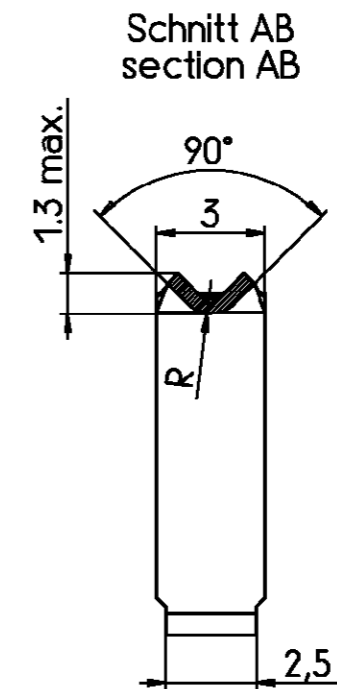
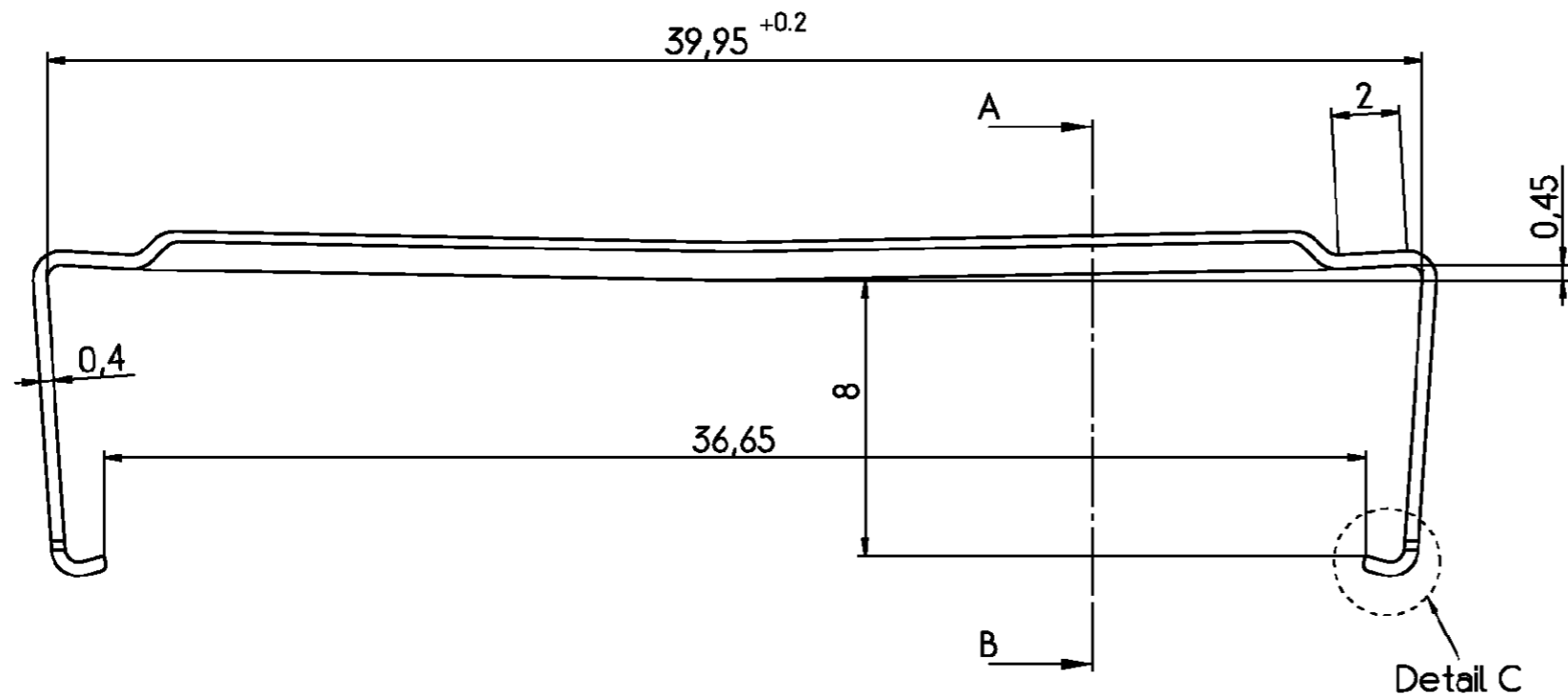


THIS INFORMATION IS CONFIDENTIAL AND PROPRIETARY TO TYCO ELECTRONICS CORPORATION AND ITS WORLDWIDE
 SUBSIDIARIES AND AFFILIATES. IT MAY NOT BE DISCLOSED TO ANYONE, OTHER THAN TYCO ELECTRONICS PERSONNEL,
 WITHOUT WRITTEN AUTHORIZATION FROM TYCO ELECTRONICS CORPORATION, HARRISBURG PENNSYLVANIA USA

PROPRIETARY:



Active part numbers. Contact Tyco Electronics for other configuration availability

Old Part Number	Tyco Part Number
V42254-A4000-D25	4-1393560-6

tyco TYCO ELECTRONICS CORPORATION		SCALE 5:1 (20:1)		WEIGHT
OOSTKAMP - BELGIUM		DIMENSIONS IN MM		MATERIAL
LOC GW		DATE 03.02.93		PART NAME
NAME Sterckx		DEP. PE Com PE&SE		Bügel Sub-D Schneidklemmanschluß
REV. CHANGE ORDER		APP.		25-pol. Ausführung
DATE 03.02.93		RST		strain relief clamp D-Sub IDC
DATE 03.02.93		RST		25-contacts version
TOLERANCE UNLESS SPECIFIED OTHERWISE		±0.2		PART NO.
Customer Drawing Nr. C 4-1393560-6		SHT. 1-		V42254-A4000-D25-*27
OF 1				