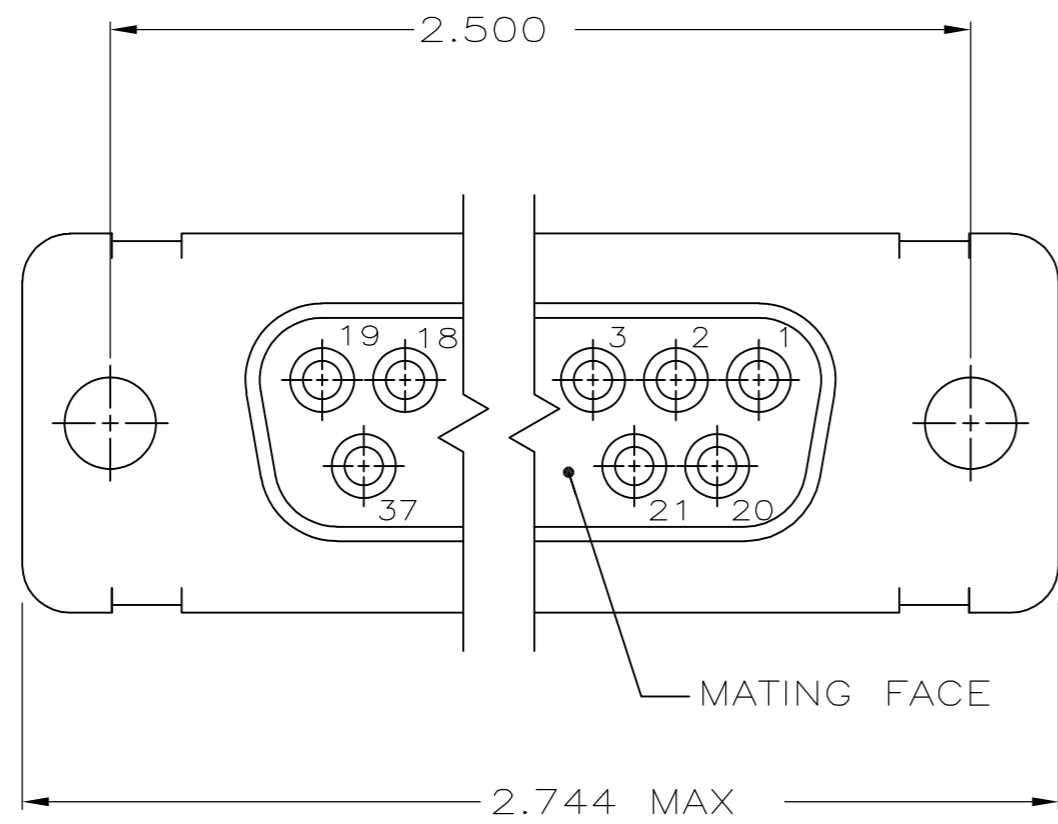


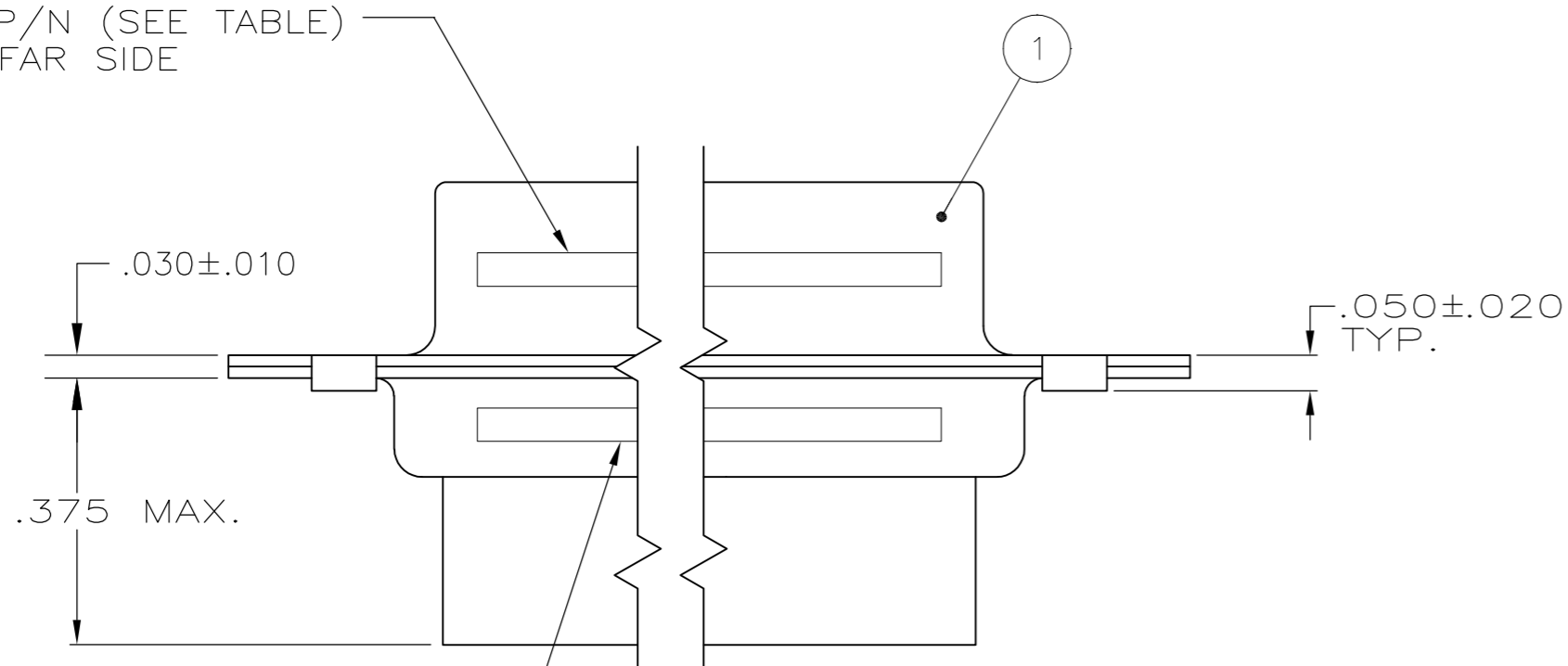
THIS DRAWING IS UNPUBLISHED. RELEASED FOR PUBLICATION  
 © COPYRIGHT - By - ALL RIGHTS RESERVED.

LOC		DIST		REVISIONS			
P	LTR	DESCRIPTION	DATE	DWN	APVD		
-	-	H1	REVISED PER ECO-11-005030	11MAR11	RK	HMR	

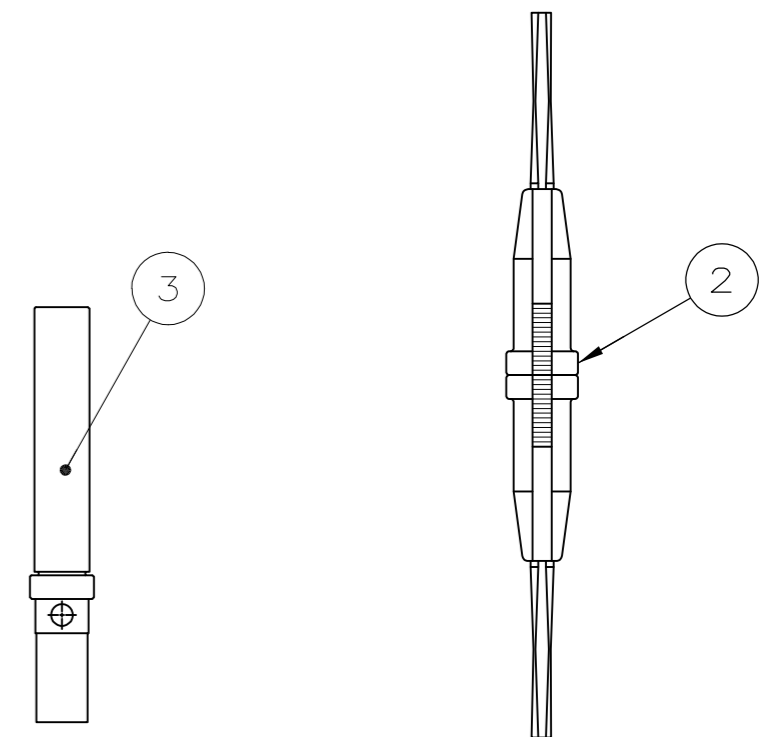
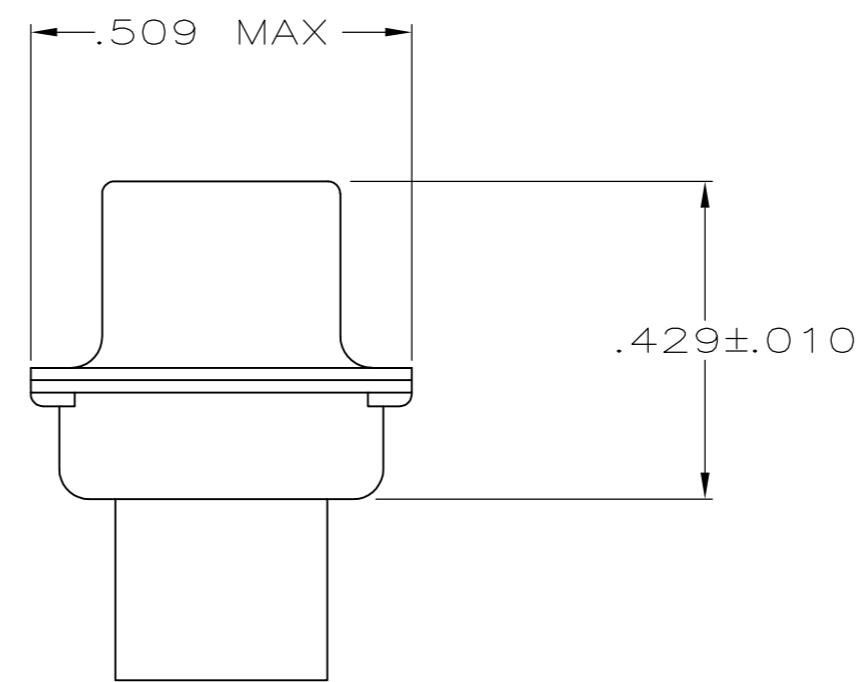


1 FOR CONNECTOR ASSEMBLIES, TE CONNECTIVITY CONTACT PART NOS. 205090-1 MUST BE ORDERED SEPARATELY. CONNECTORS WITH CONTACTS ARE SUPPLIED WITH CONTACT 205090-1

MILITARY P/N (SEE TABLE) MARKED, FAR SIDE



MFG'S NAME, BRAND OR LOGO AND DATE CODE MARKED, FAR SIDE



SUPERSEDED BY 206803-2 & 206793-1 & 91067-2	205561-5	M24308/6-9F	205090-1	91067-2	205167-2	205561-5
SUPERSEDED BY 206803-2 AND 206793-1	205561-4	M24308/6-4F	205090-1	-	205167-2	205561-4
	205561-3	M24308/2-9F	205090-1	91067-2	205167-1	205561-3
	205561-2	M24308/2-4F	205090-1	-	205167-1	205561-2
SUPERSEDED BY 205167-1 AND 91067-2	205561-1	-	-	91067-2	205167-1	205561-1
TE CONNECTIVITY P/N MARKED ON PACKAGE	MILITARY P/N MARKED ON PACKAGE	SOCKET CONTACT QTY. = 37	INSERTION/EXTRACTION TOOL QTY. = 1	RECEPTACLE ASSY QTY. = 1	PART NUMBER	

THIS DRAWING IS A CONTROLLED DOCUMENT.

DWN P. YEAGER	10MAR09		KIT, HDM SERIES RECEPTACLE, SIZE 4, 37 POSN		
CHK R. LEASE	12MAR09				
APVD R. LEASE	12MAR09				
PRODUCT SPEC					
APPLICATION SPEC		SIZE A2	CAGE CODE 00779	DRAWING NO C-205561	RESTRICTED TO -
MATERIAL -	FINISH -	WEIGHT -	SCALE 4:1	SHEET 1 of 1	REV H1

CUSTOMER DRAWING