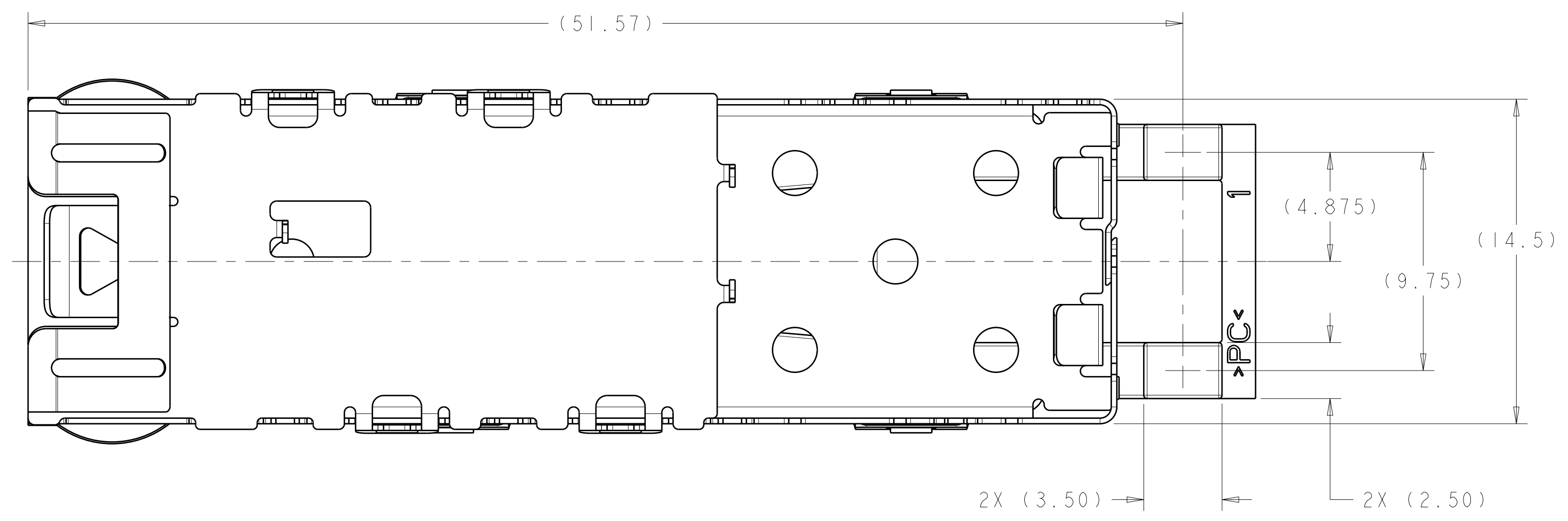
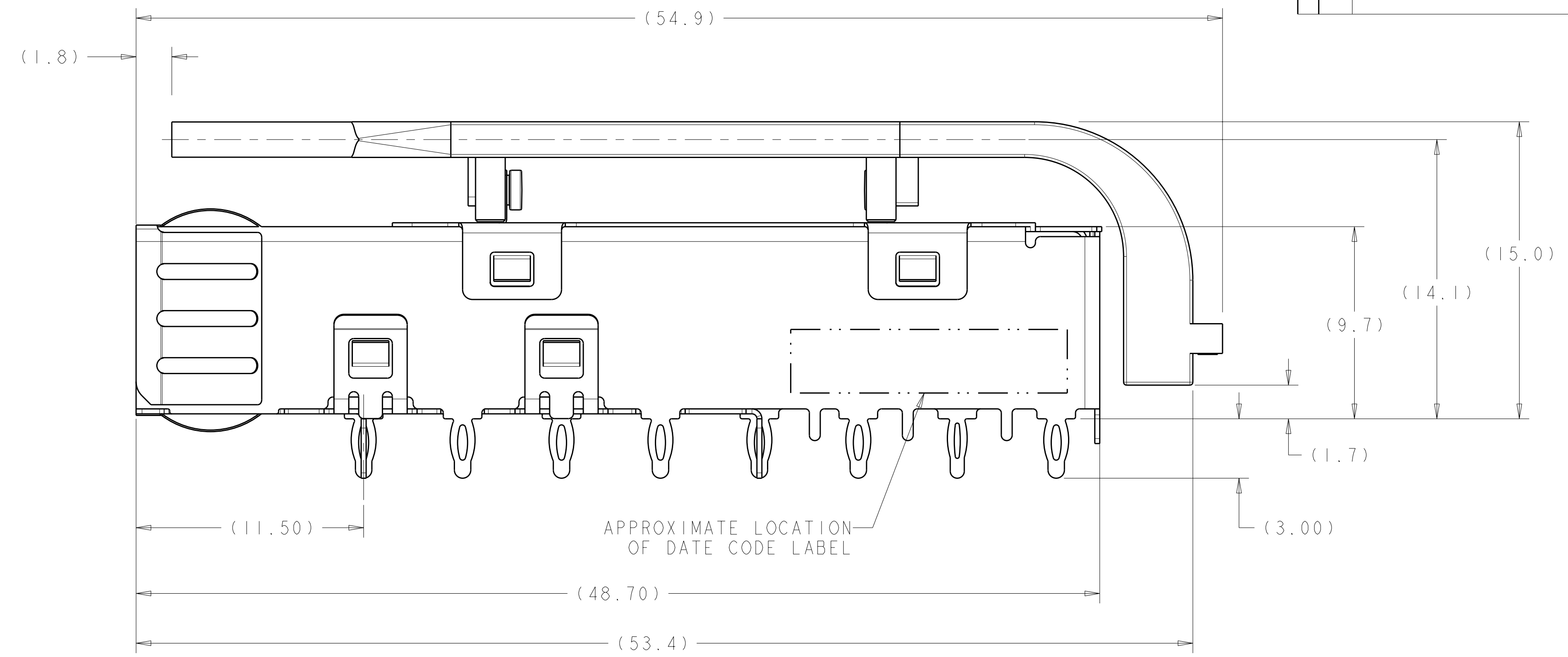
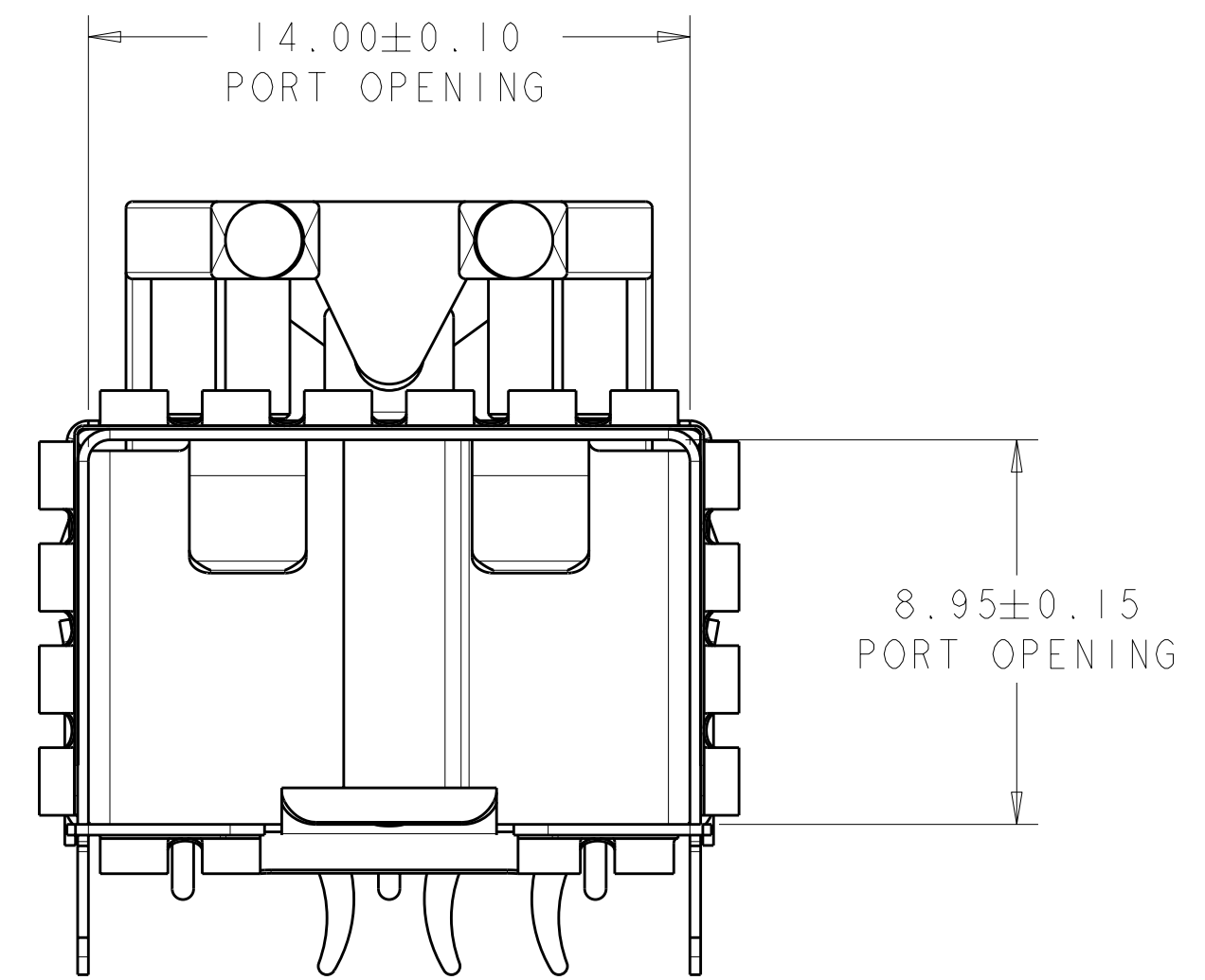
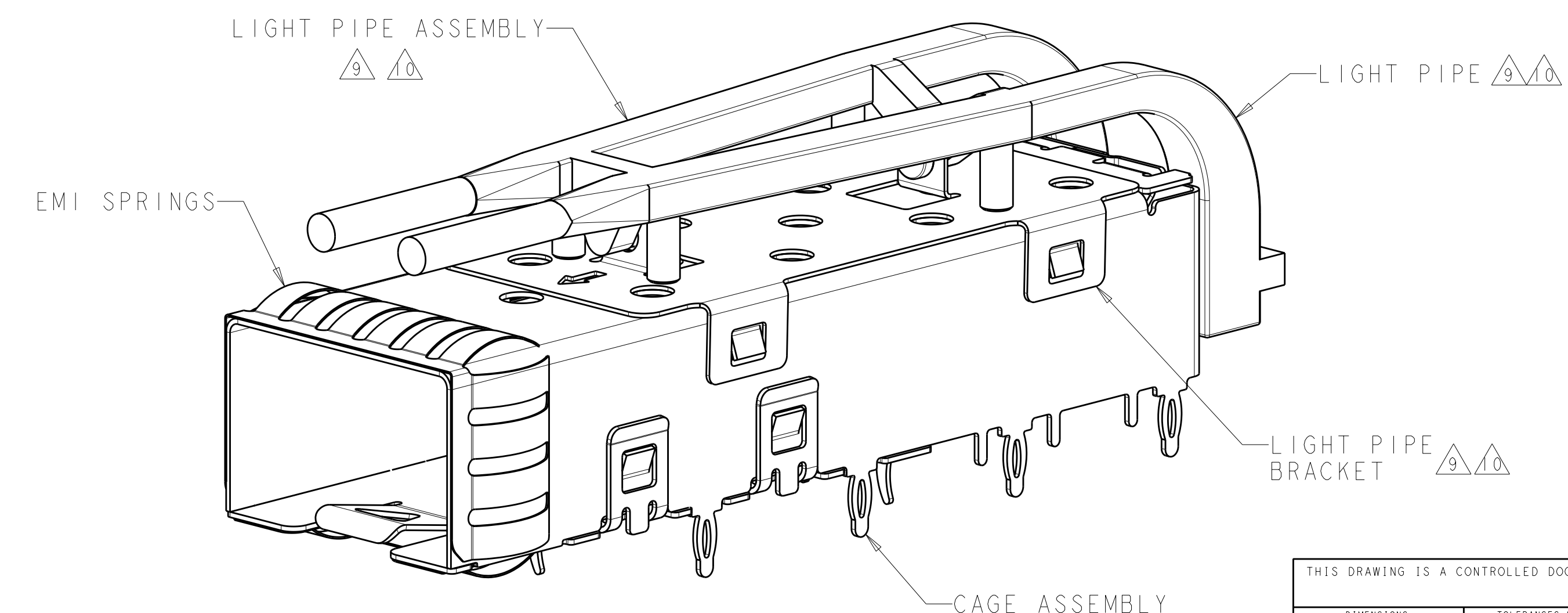


LOC	DIST	REV	DATE	BY	CHK	APPV
GP	00					
C1			11MAR2011	RK	HMR	
D			09JAN2012	TX	AC	



- 1 MATERIAL:
 CAGE ASSEMBLY - 0.25 THICK NICKEL-SILVER ALLOY.
 EMI SPRINGS - COPPER ALLOY.
 LIGHT PIPE - POLYCARBONATE, CLEAR.
 LIGHT PIPE BRACKET - STAINLESS STEEL.
- 2 FINISH:
 EMI SPRINGS - 0.8um MIN MATTE TIN OVER 0.8um MIN NICKEL
 NON-PLATED EDGES PERMISSIBLE.
- 3. MATES WITH SFP MSA COMPLIANT TRANSCEIVERS.
- 4 PADS AND VIAS CHASSIS GROUND.
- 5 DATUM AND BASIC DIMENSION ESTABLISHED BY CUSTOMER.
- 6. MINIMUM PC BOARD THICKNESS:
 SINGLE SIDED: 1.50mm
 DOUBLE SIDED: 3.00mm
- 7 REFERENCE APPLICATION SPEC. 114-13120, HOLE A, FOR
 RECOMMENDED DRILL HOLE DIAMETER AND PLATING THICKNESS.
- 8 REFERENCE APPLICATION SPEC. 114-13120, HOLE C, FOR
 RECOMMENDED DRILL HOLE DIAMETER AND PLATING THICKNESS.
 INTO PCB PRIOR TO ATTACHING THE LIGHTPIPE ASSEMBLY
 TO THE CAGE.
- 9 LIGHT PIPE ASSEMBLY SHIPPED UNASSEMBLED TO CAGE ASSEMBLY.
 CAGE ASSEMBLY TO BE PRESSED INTO PCB PRIOR TO ATTACHING
 THE LIGHT PIPE ASSEMBLY TO THE CAGE.
- 10 LIGHT PIPE AND LIGHT PIPE BRACKET SHIPPED ASSEMBLED.
- 11. NOTE DELETED



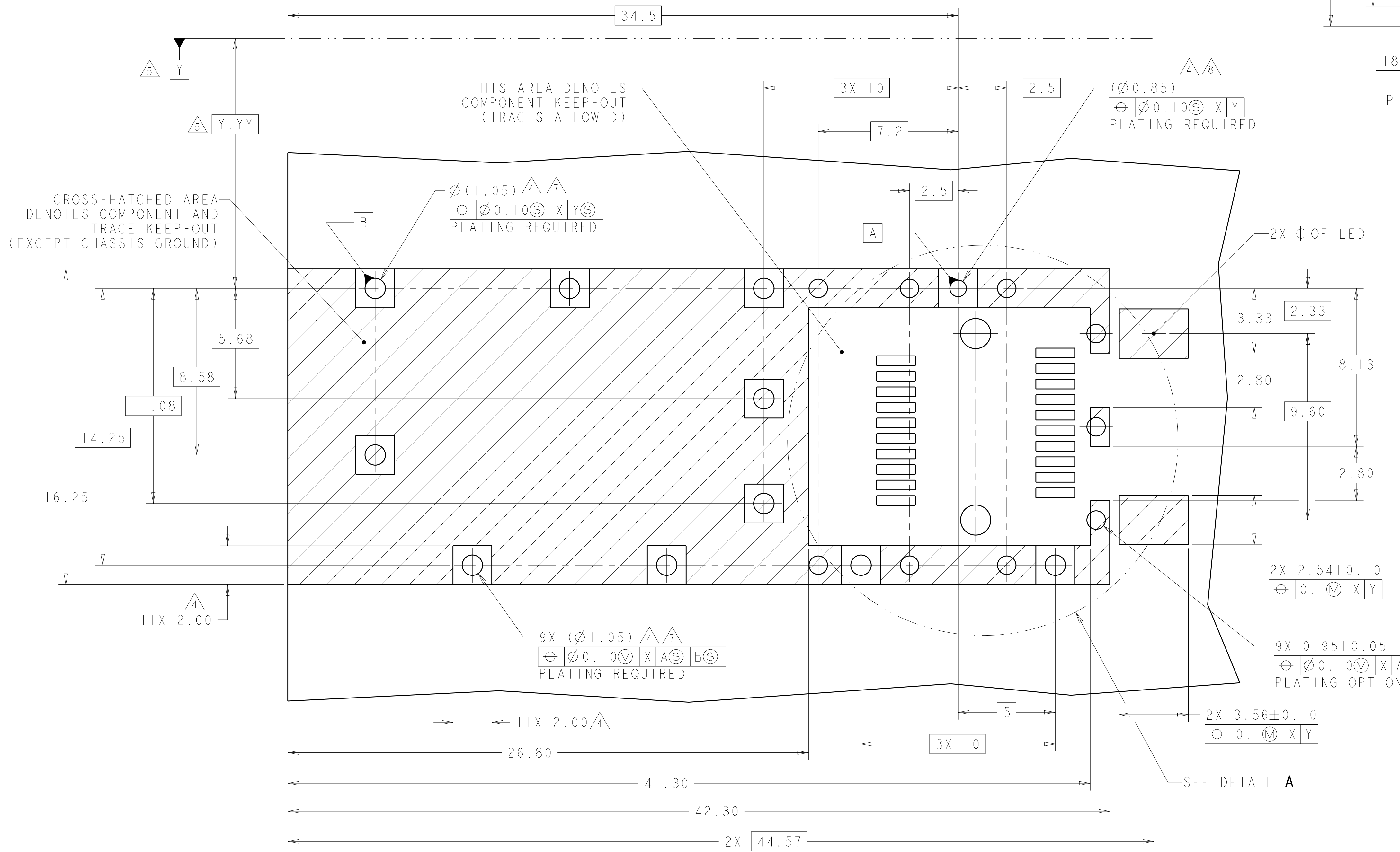
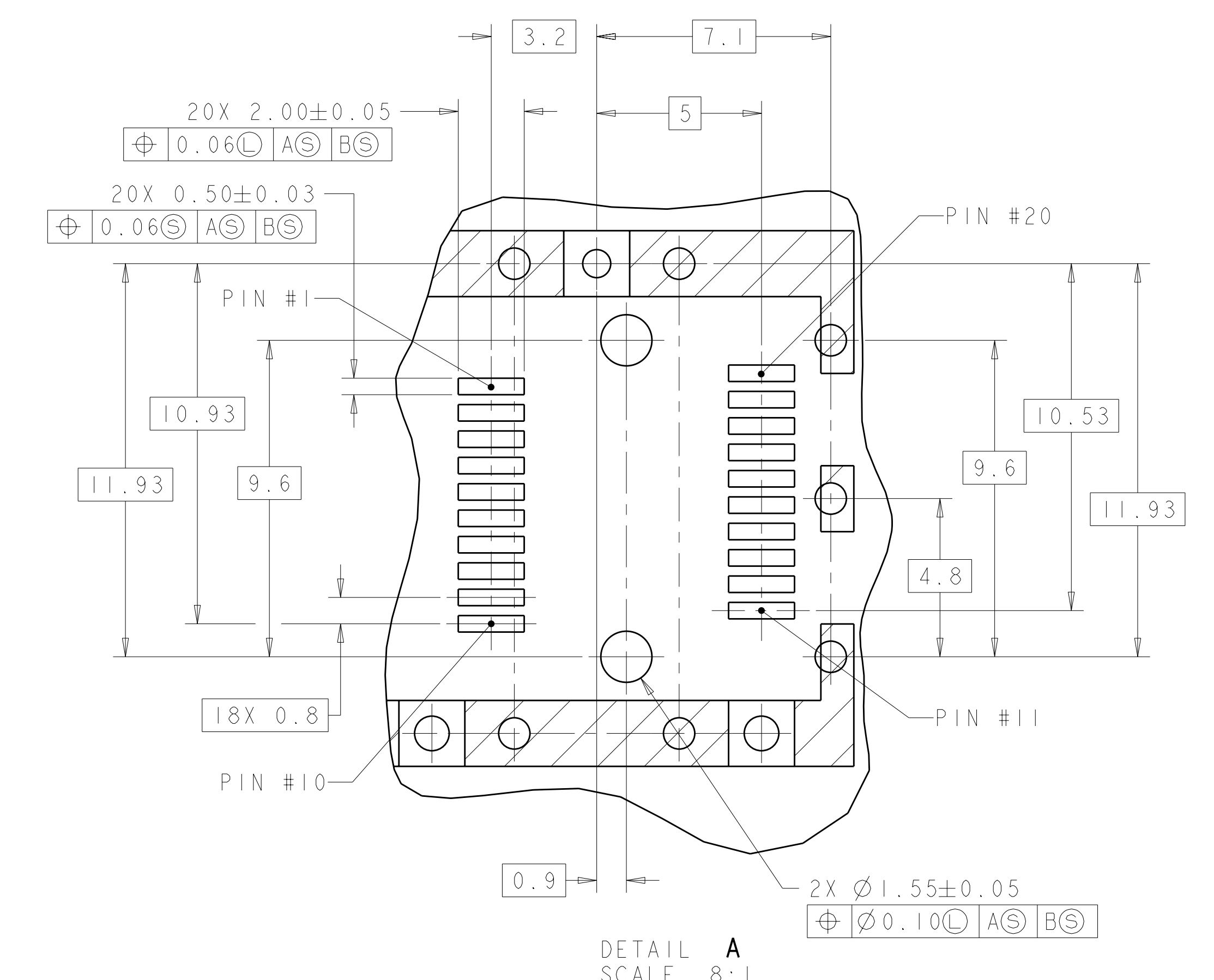
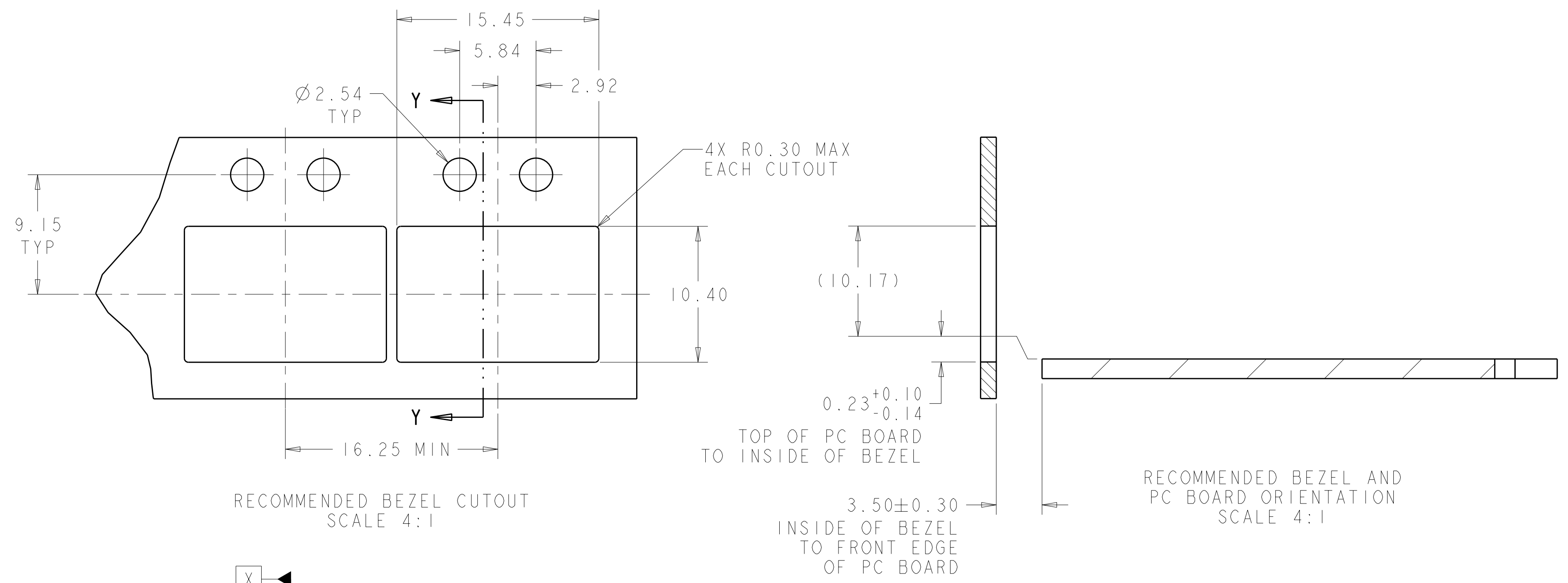
2007254-1
 SHOWN ASSEMBLED
 SCALE 5:1

2007254-1
 PART
 NUMBER

THIS DRAWING IS A CONTROLLED DOCUMENT.		DWN: J. POLIGNONE 13JUL2007	TE Connectivity
DIMENSIONS: mm		CHK: M. SCHMITT 13JUL2007	
TOLERANCES UNLESS OTHERWISE SPECIFIED:		APPV: M. SCHMITT 13JUL2007	NAME: SFP+ IX1 CAGE ASSEMBLY
9 PLC ±0.1	1 PLC ±0.1	PRODUCT SPEC: 108-2364	RESTRICTED TO: -
2 PLC ±0.1	3 PLC ±0.1	APPLICATION SPEC: 114-13120	SCALE: 6:1
4 PLC ±0.05	5 PLC ±0.05	WEIGHT: -	SHEET 1 OF 2
ANGLES ±0.05	FINISH: -	CUSTOMER DRAWING	REV D

LOC	DIST	REV	DATE	BY	APPD
GP	00				

REVISIONS		DATE	BY	APPD
1	SEE SHEET 1			



RECOMMENDED PCB LAYOUT
SCALE 8:1

THIS DRAWING IS A CONTROLLED DOCUMENT.		DWN: J. POLIGNONE 13JUL2007	TE Connectivity
DIMENSIONS: mm		CHK: M. SCHMITT 13JUL2007	
TOLERANCES UNLESS OTHERWISE SPECIFIED:		APVD: M. SCHMITT 13JUL2007	NAME: SFP+ 1X1 CAGE ASSEMBLY PRESS-FIT, EXTERNAL EMI SPRINGS, WITH LIGHT PIPES
9 PLC ±0.1	1 PLC ±0.1	PRODUCT SPEC: 108-2364	SIZE: CAGE CODE: DRAWING NO: A100779C=2007254
5 PLC ±0.1	4 PLC ±0.05	APPLICATION SPEC: 114-13120	RESTRICTED TO: -
4 PLC ±0.05	ANGLES ±0.05	WEIGHT: -	SCALE: 6:1 SHEET: 2 OF 2 REV: D
MATERIAL: -	FINISH: -	CUSTOMER DRAWING	